

Price List &
Specifications Guide
January 2018



datesweiser.com

Corporate Office / Factory

1700 Broadway Street

Buffalo, NY 14212

p 716.891.1700

toll free 800.466.7037

National Sales Office / Showroom

45 West 21st Street, 2nd floor

New York, NY 10010

p 212.727.8855

Table of Contents

Introduction	5	Meeting Tables	
Using the Price List	5	Square and Round, 48"-72"	240
Materials + Finishes	6	Credenzas	
Product Maintenance	13	Credenzas, 66"-114"	250
Highline Collection	15	Highline Twenty-Five Collection	261
Conference Tables		Credenzas, 60"-108" width	262
Rectangular, 42"-48"	16	Technical Information	273
Rectangular, 54"	36	Highline Conference Tables	274
Rectangular, 60"	52	Highline Meeting Tables	282
Rectangular, 72"	68	Highline Credenzas	289
Elliptical, 48"-72"	84	Highline Fifty Conference Tables	294
Boat, 48"-72"	100	Highline Fifty Meeting Tables	304
Trapezoid, 48"-72"	116	Highline Fifty Credenzas	313
Meeting Tables		Highline Twenty-Five Credenzas	319
Square, Round and Elliptical, 42"-84"	132	Terms and Conditions	325
Credenzas			
Credenzas, 64"-99"	144		
Highline Fifty Collection	159		
Conference Tables			
Rectangular, 48"	160		
Rectangular, 54"	178		
Rectangular, 60"	194		
Rectangular, 72"	210		
Boat, 48"-72"	226		

Introduction

The DatesWeiser Price List and Specifications Guide introduces our offerings and provides you with the ability to specify and maintain them.

Three collections are showcased:

- Highline Conference Tables, Meeting Tables, and Credenzas
- Highline Fifty Conference Tables, Meeting Tables, and Credenzas
- Highline Twenty-Five Credenzas

Materials and finishes available for the collections are described on the next page.

Technical Information about our furniture begins on **page 274**. You will find detailed descriptions about construction, elevations, power and connectivity, credenza configurations and options.

FSC® Certification: FSC-C003538

Responsibly harvested materials certified by the Forest Stewardship Council are available upon request and will increase pricing. Requests for FSC certified materials or LEED certification must be made before an order is processed.

USING THE PRICE LIST

Product information is presented as follows:

- General description of the product.
- Dimensions of the product and additional details.
- Pattern number: Code that denotes the product line (02 Highline Collection/ 03 Highline Fifty Collection/ 04 Highline Twenty-Five Collection), type and dimensions.
- Starting Price: The lowest base price, which represents the most cost-effective finishes and configuration.
- Steps: Options, finishes and other features that allow you to build the pieces as you desire.
- Some options carry an additional cost. The cost of the option needs to be added to the Starting Price shown at the top of the page. For microphones and grommets please specify quantity desired.

Start with the pattern number and starting price. Then select materials and options using the codes provided. Add additional costs from selections (if applicable). Confirm quantities and email to customerservice@datesweiser.com.

Shipping charges will be added to your order. For a shipping quote contact your sales representative, email customerservice@datesweiser.com or call us toll free at 1-800-466-7037.

If you don't see what you want, we are happy to work with you to develop a unique product solution. Contact customerservice@datesweiser.com or call 1-800-466-7037 for a custom quote.

MATERIALS + FINISHES

Selecting materials and other features are the first steps to ordering your DatesWeiser furniture. As you move through the steps on the product page, you will need to fill in the blanks with the codes for the finishes and features you select.

Wood veneers are selected from the finest hardwoods available around the world and top coated with a low-VOC, post-catalyzed finish. The typical sheen is 30%.

Veneers come in three price ranges or Tiers. Veneers are described as follows:

- Cut: Plain-sliced, rift, quartered, reconstituted.
- Species: Oak, Walnut, etc.
- Finish: Natural, Smoked, Dark, Cerused, etc.

Quartered, rift-cut and reconstituted veneers are slip matched with the exception of Black Limba. Plain-sliced veneers are book matched.

For example, the finish code T124 denotes Tier 1 Plain-sliced Maple, Natural, and T227 denotes Tier 2 Quartered Walnut, Natural.

Requests for FSC certified materials must be made before an order can be processed.

Glass 3/8" thick annealed low iron. DatesWeiser offers 14 standard back paint colors.

- GC__ Back Painted Clear Glass: Polished glass with back paint. Color codes are entered in the blanks. For example GC01 refers to clear glass back painted white and GC02 refers to clear glass back painted Grey.
- GE__ Back Painted Etched Matte Glass: Glass that is acid etched to a matte finish.
- GC00 Clear tempered glass with no back paint. Available on credenzas only.

Solid Surface Materials

- CS01 Corian Glacier White ½" thickness.
- QS__ Caesarstone 2cm thickness.

Certain Caesarstone-topped tables of 60" width and above may require an additional top section.

Paint

- SL__ Satin Lacquer: Opaque paint with a 50% typical sheen. Color codes are entered in the blanks.
- HG__ High Gloss Polyester: Opaque paint with a hand rubbed high gloss finish.

Metal

- MC__ Powder Coat: A coating that is applied electrostatically as a dry powder and is then cured under heat to allow it to flow and form a "skin." It is used to create a hard finish that is more durable than conventional paint. Color codes are entered in the blanks.
- PM__ Premium Metal: Electroplating produces a premium metal finish. Finishes are entered in the blanks.

DatesWeiser collaborates with leading colorists to develop a palette particularly suited to the executive workplace. This range is available on all our products and coordinates with our extensive veneer offering. To order actual finish samples, please contact customerservice@datesweiser.com or your local DatesWeiser representative www.datesweiser.com/contacts. If you don't see what you want, we are happy to work with you to develop a unique product solution.

DatesWeiser printed and veneer samples offer an example of what a typical veneer will look like, within a range of acceptability carefully determined by DatesWeiser. Samples and printed sample materials should be used as reference only.

STANDARD FINISHES

Veneer: Tier 1

T102 Rift European White Oak, slip match, Natural
T105 Plain-sliced Walnut, book match, Natural
T124 Plain-sliced Maple, book match, Natural
T131 Reconstituted Macassar Ebony, slip match, Natural
T142 Rift American White Oak, slip match, Natural

Veneer: Tier 2

T204 Rift European White Oak, slip match, Dark Ceruse
T206 Plain-sliced Walnut, book match, Smoked
T207 Plain-sliced Walnut, book match, Dark
T227 Quartered Walnut, slip match, Natural
T228 Quartered Black Limba, book match, Natural
T229 Quartered Wenge, slip match, Natural
T238 Plain-sliced Paldao, book match, Grey

Veneer: Tier 3

T300 Plain-sliced White Oak, book match, White Wash
T301 Rift European White Oak, slip match, Weathered Grey
T339 Plain-sliced White Oak, book match, Grey Ceruse
T340 Rift American White Oak, slip match, Sand Ceruse
T341 Rift American White Oak, slip match, Greige Ceruse

Back Painted Glass:

Clear / Etched Matte

GC01 / GE01 White
GC02 / GE02 Grey
GC03 / GE03 Black
GC04 / GE04 Coco
GC20 / GE20 Red
GC21 / GE21 Taupe
GC22 / GE22 Quartz Grey
GC23 / GE23 Light Grey
GC24 / GE24 Light Beige
* GC00 Clear Glass available on credenzas only

Solid Surface

CS01 Corian, Glacier White
QS01 Caesarstone, Fresh Concrete
QS04 Caesarstone, Raw Concrete
QS03 Caesarstone, Sleek Concrete

Paint: High Gloss Polyester /

Satin Lacquer

HG01 / SL01 White
HG02 / SL02 Light Beige
HG03 / SL03 Sand
HG04 / SL04 Taupe
HG05 / SL05 Light Brown
HG06 / SL06 Light Grey
HG07 / SL07 Quartz Grey
HG08 / SL08 Umbra Grey
HG09 / SL09 Black Brown
HG10 / SL10 Yellow Finch
HG11 / SL11 Jack O Lantern
HG12 / SL12 Racing Orange
HG13 / SL13 Jet Black
HG20 / SL 20 Red

Metal

Powder Coat

MC01 White
MC02 Light Grey
MC03 Quartz Grey
MC04 Umbra Grey
MC05 Black Brown
MC11 Jet Black
MC20 Red

Powder Coat Metallic

MC06 Silver Metallic
MC07 Smoked
MC08 Gun Metal
MC09 Bronze Metallic
MC12 Black
MC13 Warm Grey
MC14 Soft White

Premium

PM01 Polished Chrome
PM02 Satin Nickel
PM03 Oil Rubbed Bronze

Veneer: Tier 1



T124 Plain-sliced Maple, Natural



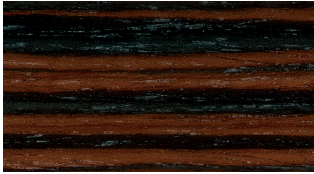
T102 Rift European White Oak, Natural



T142 Rift American White Oak, Natural

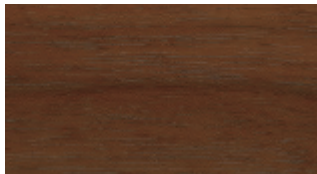


T105 Plain-sliced Walnut, Natural



T131 Reconstituted Macassar Ebony, Natural

Veneer: Tier 2



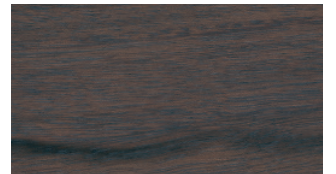
T206 Plain-sliced Walnut, Smoked



T227 Quartered Walnut, Natural



T228 Quartered Black Limba, Natural



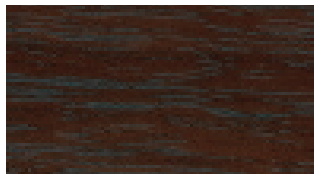
T238 Plain-sliced Paldao, Grey



T229 Quartered Wenge, Natural



T204 Rift European White Oak, Dark Ceruse



T207 Plain-sliced Walnut, Dark

Veneer: Tier 3



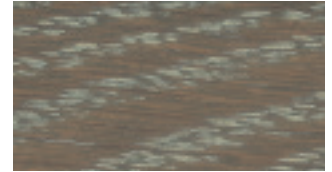
T300 Plain-sliced White Oak, White Wash



T301 Rift European White Oak, Weathered Grey



T339 Plain-sliced White Oak, Grey Ceruse

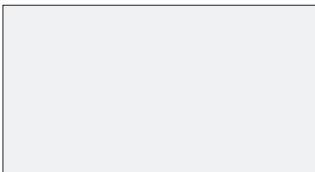


T340 Rift American White Oak, Sand Ceruse

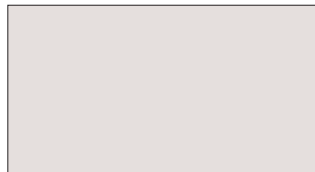


T341 Rift American White Oak, Greige Ceruse

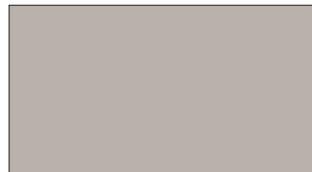
Back Painted Glass: Clear + Etched Matte



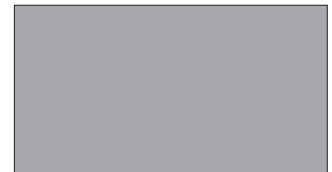
GC01 / GE01 White



GC24 / GE24 Light Beige



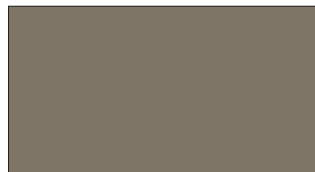
GC21 / GE21 Taupe



GC23 / GE23 Light Grey



GC02 / GE02 Grey



GC22 / GE22 Quartz Grey



GC04 / GE04 Coco



GC03 / GE03 Black



GC20 / GE20 Red



GC00 Clear Glass, no back-paint
Available on credenzas only

Solid Surface



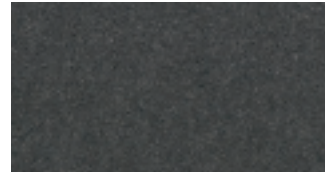
CS01 Corian, Glacier White



QS01 Caesarstone, Fresh Concrete

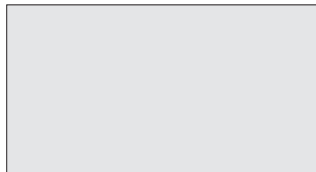


QS04 Caesarstone, Raw Concrete

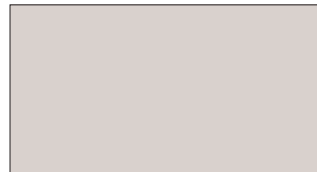


QS03 Caesarstone, Sleek Concrete

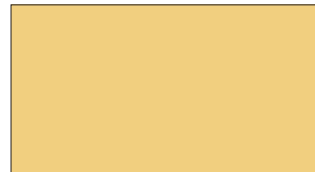
Paint: High Gloss Polyester + Satin Lacquer



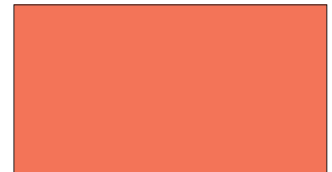
HG01 / SL01 White



HG02 / SL02 Light Beige



HG10 / SL10 Yellow Finch



HG11 / SL11 Jack O Lantern



HG03 / SL03 Sand



HG04 / SL04 Taupe



HG12 / SL12 Racing Orange



HG20 / SL20 Red



HG05 / SL05 Light Brown



HG06 / SL06 Light Grey



HG09 / SL09 Black Brown



HG13 / SL13 Jet Black



HG07 / SL07 Quartz Grey



HG08 / SL08 Umbra Grey

Metal: Powder Coat



MC01 White



MC02 Light Grey



MC03 Quartz Grey



MC04 Umbra Grey



MC05 Black Brown



MC11 Jet Black

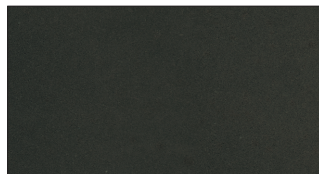


MC20 Red

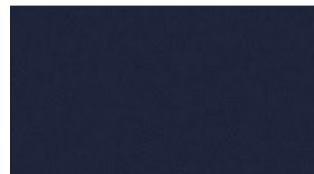
Metal: Powder Coat Metallic



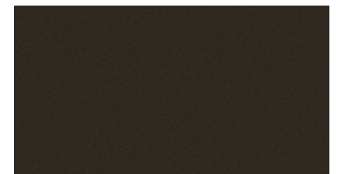
MC06 Silver



MC07 Smoked



MC08 Gun Metal



MC09 Bronze



MC12 Black



MC13 Warm Grey



MC14 Soft White

Metal: Premium



PM01 Polished Chrome



PM02 Satin Nickel



PM03 Oil Rubbed Bronze

PRODUCT MAINTENANCE

Regular dusting with a soft cloth will help prevent fine dust particles from becoming embedded in the finished surface. We recommend using a soft flannel cloth slightly dampened with water, followed by a dry cloth. Always wipe in the direction of the grain. Caution: Never use a chemically treated cleaning cloth.

For removing residues, smudges, etc., we recommend using a very mild (non-ammonia) soap and water solution. Apply with a soft flannel cloth, followed by a dry cloth. Always wipe in the direction of the grain.

Most stone and metal surfaces can be cleaned by following the same steps we recommend for our wood products. Granite and marble are both very porous and stain very easily. Lemon juice and other acids can etch the surface of the stone. Many stains are extremely difficult or impossible to remove, so please be careful. If a problem arises, please contact DatesWeiser for recommendations.

Glass can be cleaned with a standard brand of glass cleaner that does not contain ammonia or vinegar. Always use a soft, clean, grit-free cloth to reduce the risk of scratching the surface. We recommend a micro-fiber cloth and not paper towels. Care and cleaning of clear and acid-etched glass is the same. On non-tempered glass avoid extremely hot materials and on all glass avoid caustic substances.

We recommend using felt pads on all objects that come in contact with our furniture. Certain vinyl and rubber products can chemically react with the finish on wood if left in contact for extended periods of time. Coasters, place mats, notebook covers, and rubber or plastic feet (found on most accessories) can also damage wood surfaces. To avoid indentations caused by writing instruments, always use a non-vinyl blotter or writing pad.

All furniture should be used in a stable, controlled atmosphere and positioned to avoid direct sunlight. The ideal climate is 65 to 75 degrees Fahrenheit with 30 to 55% relative humidity.

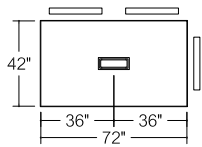
Highline Collection



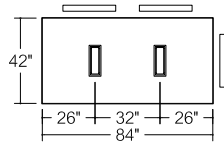
DATESWEISER

Highline Rectangular Conference Tables Index

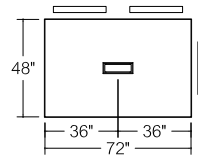
42"-48" width



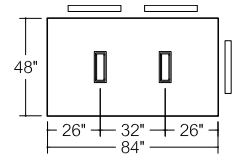
O2R42X72
6 Person Table



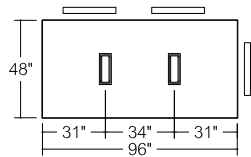
O2R42X84
6 Person Table



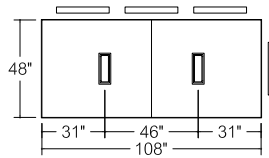
O2R48X72
6 Person Table



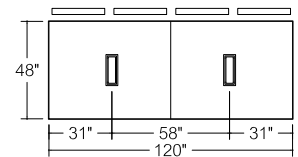
O2R48X84
6 Person Table



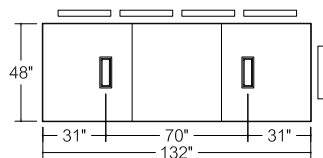
O2R48X96
6 Person Table



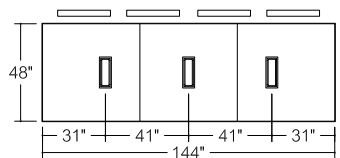
O2R48X108
8 Person Table



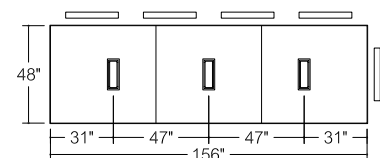
O2R48X120
10 Person Table



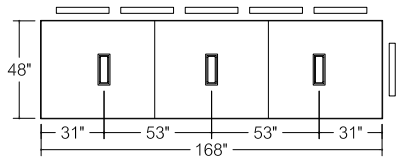
O2R48X132
10 Person Table



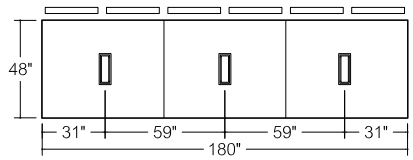
O2R48X144
10 Person Table



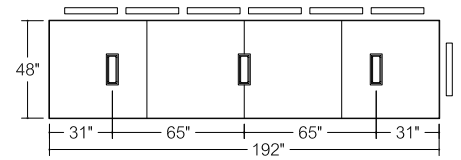
O2R48X156
10 Person Table



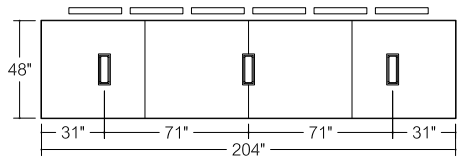
02R48X168
12 Person Table



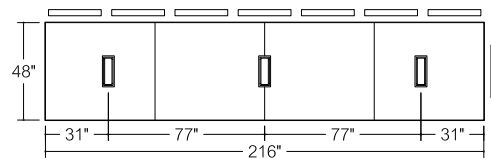
02R48X180
14 Person Table



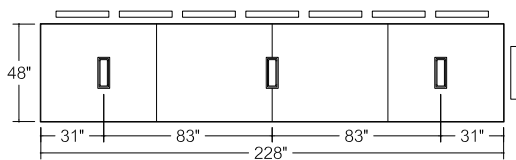
02R48X192
14 Person Table



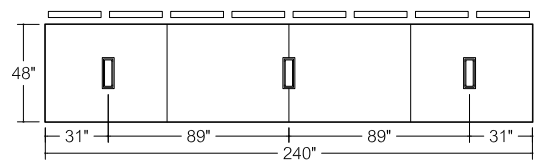
02R48X204
14 Person Table



02R48X216
16 Person Table



02R48X228
16 Person Table

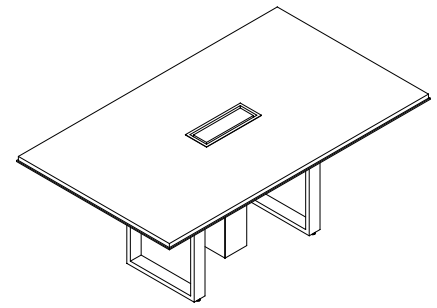


02R48X240
18 Person Table

Highline Rectangular Conference Table

42"x72"/ 6 Person

02R42X72



Starting Price: **\$8,961**

42x72 table, veneer Tier 1 top with metal edge, open base, powder coat metal finish

Pattern Number: 02R42X72

Step 1. Top Material

V	Veneer
G	Glass
C	Corian
Q	Caesarstone

Step 2. Metal Finish

MC __	Powder Coat	+0
PM01	Polished Chrome	+294
PM02	Satin Nickel	+294
PM03	Oil Rubbed Bronze	+294

Step 3. Top Finish

T1 __	Veneer Tier 1	+0
T2 __	Veneer Tier 2	+498
T3 __	Veneer Tier 3	+1,365
GC01	Clear Glass, back painted, white	+596
GC __	Clear Glass, back painted, color	+1,659
GE01	Etched matte Glass, back painted, white	+991
GE __	Etched matte Glass, back painted, color	+2,097
CS01	Corian Glacier White	+2,408
QS __	Caesarstone	+6,954

Step 4. Power & Connectivity Access: Optional

TMHW	Tabletop, Metal lid, Hardwired, Qty 1	+1,998
TMPI	Tabletop, Metal lid, Plug In, Qty 1	+1,749
UMHW	Undermount, Hardwired, Qty 4	+3,560
UMPI	Undermount, Plug In, Qty 4	+2,576

Step 5. Microphone and/or Grommet Accommodations: Optional

MA __	Microphone hole (factory cut)	Qty __ x 321 each
GM __	2" Grommet Hole (factory cut), liner, lid, in matching metal finish	Qty __ x 423 each

Wire Management Column (sold separately)

Required with any technology selection

Pattern Number: 02WMC6X6	508
Pattern Number: 02WMC10X10	1,065

Step 1. Metal Finish for Wire Management Column

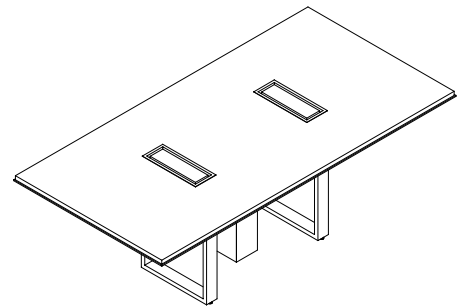
		6x6	10x10
MC __	Powder Coat	+0	+0
PM01	Polished Chrome	+749	+428
PM02	Satin Nickel	+749	+428
PM03	Oil Rubbed Bronze	+749	+428

Please consult [page 7](#) for the palette of DatesWeiser finishes. Natural stone, non-standard glass and veneer, and other technology options are available. Please email customerservice@datesweiser.com for a custom quote. Consult technical information on [page 274](#) for construction details and technical information.

Highline Rectangular Conference Table

42"x84"/ 6 Person

02R42X84



Starting Price: **\$9,597**

42x84 table, veneer Tier 1 top with metal edge, open base, powder coat metal finish

Pattern Number: 02R42X84

Step 1. Top Material

V	Veneer
G	Glass
C	Corian
Q	Caesarstone

Step 2. Metal Finish

MC __	Powder Coat	+0
PM01	Polished Chrome	+294
PM02	Satin Nickel	+294
PM03	Oil Rubbed Bronze	+294

Step 3. Top Finish

T1 __	Veneer Tier 1	+0
T2 __	Veneer Tier 2	+519
T3 __	Veneer Tier 3	+1,594
GC01	Clear Glass, back painted, white	+807
GC __	Clear Glass, back painted, color	+1,963
GE01	Etched matte Glass, back painted, white	+1,250
GE __	Etched matte Glass, back painted, color	+2,455
CS01	Corian Glacier White	+2,830
QS __	Caesarstone	+7,800

Step 4. Power & Connectivity Access: Optional

TMHW	Tabletop, Metal lid, Hardwired, Qty 2	+3,996
TMPI	Tabletop, Metal lid, Plug In, Qty 2	+3,498
UMHW	Undermount, Hardwired, Qty 4	+3,560
UMPI	Undermount, Plug In, Qty 4	+2,576

Step 5. Microphone and/or Grommet Accommodations: Optional

MA __	Microphone hole (factory cut)	Qty __ x 321 each
GM __	2" Grommet Hole (factory cut), liner, lid, in matching metal finish	Qty __ x 423 each

Wire Management Column (sold separately)

Required with any technology selection

Pattern Number: 02WMC6X6	508
Pattern Number: 02WMC10X10	1,065

Step 1. Metal Finish for Wire Management Column

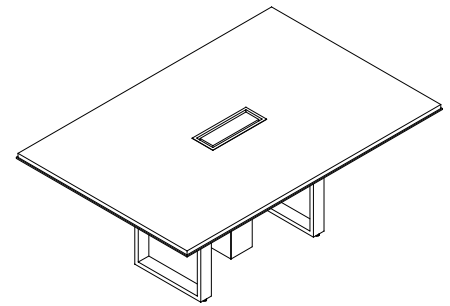
		6x6	10x10
MC __	Powder Coat	+0	+0
PM01	Polished Chrome	+749	+428
PM02	Satin Nickel	+749	+428
PM03	Oil Rubbed Bronze	+749	+428

Please consult [page 7](#) for the palette of DatesWeiser finishes. Natural stone, non-standard glass and veneer, and other technology options are available. Please email customerservice@datesweiser.com for a custom quote. Consult technical information on [page 274](#) for construction details and technical information.

Highline Rectangular Conference Table

48"x72"/ 6 Person

02R48X72



Starting Price: **\$9,293**

48x72 table, veneer Tier 1 top with metal edge, open base, powder coat metal finish

Pattern Number: 02R48X72

Step 1. Top Material

V	Veneer
G	Glass
C	Corian
Q	Caesarstone

Step 2. Metal Finish

MC __	Powder Coat	+0
PM01	Polished Chrome	+294
PM02	Satin Nickel	+294
PM03	Oil Rubbed Bronze	+294

Step 3. Top Finish

T1 __	Veneer Tier 1	+0
T2 __	Veneer Tier 2	+530
T3 __	Veneer Tier 3	+1,578
GC01	Clear Glass, back painted, white	+780
GC __	Clear Glass, back painted, color	+1,899
GE01	Etched matte Glass, back painted, white	+1,204
GE __	Etched matte Glass, back painted, color	+2,370
CS01	Corian Glacier White	+2,750
QS __	Caesarstone	+7,567

Step 4. Power & Connectivity Access: Optional

TMHW	Tabletop, Metal lid, Hardwired, Qty 1	+1,998
TMPI	Tabletop, Metal lid, Plug In, Qty 1	+1,749
UMHW	Undermount, Hardwired, Qty 4	+3,560
UMPI	Undermount, Plug In, Qty 4	+2,576

Step 5. Microphone and/or Grommet Accommodations: Optional

MA __	Microphone hole (factory cut)	Qty __ x 321 each
GM __	2" Grommet Hole (factory cut), liner, lid, in matching metal finish	Qty __ x 423 each

Wire Management Column (sold separately)

Required with any technology selection

Pattern Number: 02WMC6X6	508
Pattern Number: 02WMC10X10	1,065

Step 1. Metal Finish for Wire Management Column

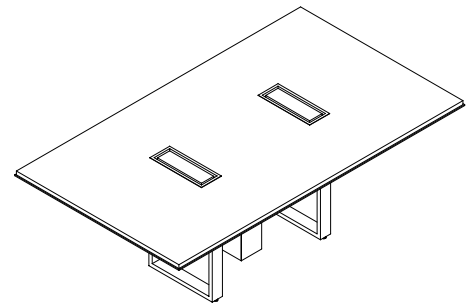
		6x6	10x10
MC __	Powder Coat	+0	+0
PM01	Polished Chrome	+749	+428
PM02	Satin Nickel	+749	+428
PM03	Oil Rubbed Bronze	+749	+428

Please consult [page 7](#) for the palette of DatesWeiser finishes. Natural stone, non-standard glass and veneer, and other technology options are available. Please email customerservice@datesweiser.com for a custom quote. Consult technical information on [page 274](#) for construction details and technical information.

Highline Rectangular Conference Table

48"x84"/ 6 Person

02R48X84



Starting Price: **\$9,996**

48x84 table, veneer Tier 1 top with metal edge, open base, powder coat metal finish

Pattern Number: 02R48X84

Step 1. Top Material

V	Veneer
G	Glass
C	Corian
Q	Caesarstone

Step 2. Metal Finish

MC __	Powder Coat	+0
PM01	Polished Chrome	+294
PM02	Satin Nickel	+294
PM03	Oil Rubbed Bronze	+294

Step 3. Top Finish

T1 __	Veneer Tier 1	+0
T2 __	Veneer Tier 2	+610
T3 __	Veneer Tier 3	+1,814
GC01	Clear Glass, back painted, white	+989
GC __	Clear Glass, back painted, color	+2,209
GE01	Etched matte Glass, back painted, white	+1,499
GE __	Etched matte Glass, back painted, color	+2,777
CS01	Corian Glacier White	+3,237
QS __	Caesarstone	+8,530

Step 4. Power & Connectivity Access: Optional

TMHW	Tabletop, Metal lid, Hardwired, Qty 2	+3,996
TMPI	Tabletop, Metal lid, Plug In, Qty 2	+3,498
UMHW	Undermount, Hardwired, Qty 4	+3,560
UMPI	Undermount, Plug In, Qty 4	+2,576

Step 5. Microphone and/or Grommet Accommodations: Optional

MA __	Microphone hole (factory cut)	Qty __ x 321 each
GM __	2" Grommet Hole (factory cut), liner, lid, in matching metal finish	Qty __ x 423 each

Wire Management Column (sold separately)

Required with any technology selection

Pattern Number: 02WMC6X6	508
Pattern Number: 02WMC10X10	1,065

Step 1. Metal Finish for Wire Management Column

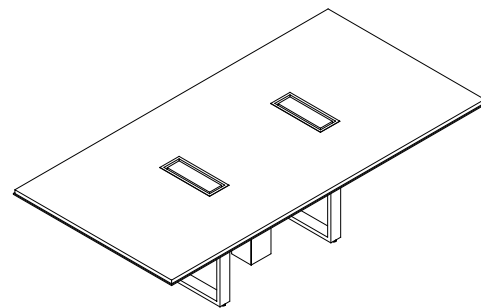
		6x6	10x10
MC __	Powder Coat	+0	+0
PM01	Polished Chrome	+749	+428
PM02	Satin Nickel	+749	+428
PM03	Oil Rubbed Bronze	+749	+428

Please consult [page 7](#) for the palette of DatesWeiser finishes. Natural stone, non-standard glass and veneer, and other technology options are available. Please email customerservice@datesweiser.com for a custom quote. Consult technical information on [page 274](#) for construction details and technical information.

Highline Rectangular Conference Table

48"x96"/ 8 Person

02R48X96



Starting Price: **\$10,410**

48x96 table, veneer Tier 1 top with metal edge, open base, powder coat metal finish

Pattern Number: 02R48X96

Step 1. Top Material

V	Veneer
G	Glass
C	Corian
Q	Caesarstone

Step 2. Metal Finish

MC __	Powder Coat	+0
PM01	Polished Chrome	+294
PM02	Satin Nickel	+294
PM03	Oil Rubbed Bronze	+294

Step 3. Top Finish

T1 __	Veneer Tier 1	+0
T2 __	Veneer Tier 2	+701
T3 __	Veneer Tier 3	+2,076
GC01	Clear Glass, back painted, white	+1,203
GC __	Clear Glass, back painted, color	+2,493
GE01	Etched matte Glass, back painted, white	+1,786
GE __	Etched matte Glass, back painted, color	+3,140
CS01	Corian Glacier White	+3,633
QS __	Caesarstone	+9,250

Step 4. Power & Connectivity Access: Optional

TMHW	Tabletop, Metal lid, Hardwired, Qty 2	+3,996
TMPI	Tabletop, Metal lid, Plug In, Qty 2	+3,498
UMHW	Undermount, Hardwired, Qty 4	+3,560
UMPI	Undermount, Plug In, Qty 4	+2,576

Step 5. Microphone and/or Grommet Accommodations: Optional

MA __	Microphone hole (factory cut)	Qty __ x 321 each
GM __	2" Grommet Hole (factory cut), liner, lid, in matching metal finish	Qty __ x 423 each

Wire Management Column (sold separately)

Required with any technology selection

Pattern Number: 02WMC6X6	508
Pattern Number: 02WMC10X10	1,065

Step 1. Metal Finish for Wire Management Column

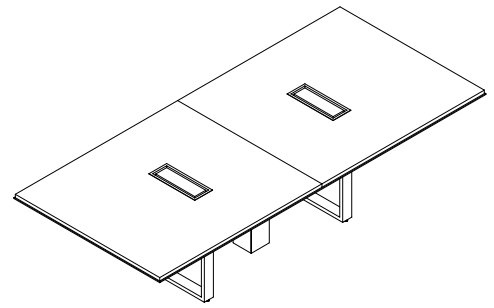
		6x6	10x10
MC __	Powder Coat	+0	+0
PM01	Polished Chrome	+749	+428
PM02	Satin Nickel	+749	+428
PM03	Oil Rubbed Bronze	+749	+428

Please consult [page 7](#) for the palette of DatesWeiser finishes. Natural stone, non-standard glass and veneer, and other technology options are available. Please email customerservice@datesweiser.com for a custom quote. Consult technical information on [page 274](#) for construction details and technical information.

Highline Rectangular Conference Table

48"x108"/ 8 Person

02R48X108



Starting Price: **\$11,282**

48x108 table, veneer Tier 1 top with metal edge, open base, powder coat metal finish

Pattern Number: 02R48X108

Step 1. Top Material

V	Veneer
G	Glass
C	Corian
Q	Caesarstone

Step 2. Metal Finish

MC __	Powder Coat	+0
PM01	Polished Chrome	+294
PM02	Satin Nickel	+294
PM03	Oil Rubbed Bronze	+294

Step 3. Top Finish

T1 __	Veneer Tier 1	+0
T2 __	Veneer Tier 2	+787
T3 __	Veneer Tier 3	+2,343
GC01	Clear Glass, back painted, white	+1,766
GC __	Clear Glass, back painted, color	+3,215
GE01	Etched matte Glass, back painted, white	+2,434
GE __	Etched matte Glass, back painted, color	+3,959
CS01	Corian Glacier White	+4,521
QS __	Caesarstone	+10,841

Step 4. Power & Connectivity Access: Optional

TMHW	Tabletop, Metal lid, Hardwired, Qty 2	+3,996
TMPI	Tabletop, Metal lid, Plug In, Qty 2	+3,498
UMHW	Undermount, Hardwired, Qty 4	+3,560
UMPI	Undermount, Plug In, Qty 4	+2,576

Step 5. Microphone and/or Grommet Accommodations: Optional

MA __	Microphone hole (factory cut)	Qty __ x 321 each
GM __	2" Grommet Hole (factory cut), liner, lid, in matching metal finish	Qty __ x 423 each

Wire Management Column (sold separately)

Required with any technology selection

Pattern Number: 02WMC6X6	508
Pattern Number: 02WMC10X10	1,065

Step 1. Metal Finish for Wire Management Column

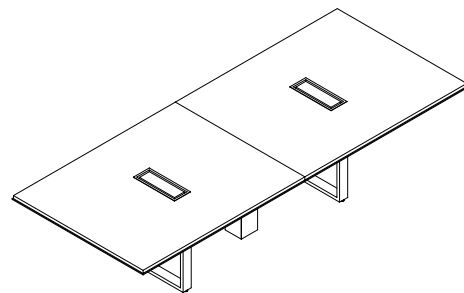
		6x6	10x10
MC __	Powder Coat	+0	+0
PM01	Polished Chrome	+749	+428
PM02	Satin Nickel	+749	+428
PM03	Oil Rubbed Bronze	+749	+428

Please consult [page 7](#) for the palette of DatesWeiser finishes. Natural stone, non-standard glass and veneer, and other technology options are available. Please email customerservice@datesweiser.com for a custom quote. Consult technical information on [page 274](#) for construction details and technical information.

Highline Rectangular Conference Table

48"x120"/ 10 Person

02R48X120



Starting Price: **\$12,158**

48x120 table, veneer Tier 1 top with metal edge, open base, powder coat metal finish

Pattern Number: 02R48X120

Step 1. Top Material

V	Veneer
G	Glass
C	Corian
Q	Caesarstone

Step 2. Metal Finish

MC __	Powder Coat	+0
PM01	Polished Chrome	+294
PM02	Satin Nickel	+294
PM03	Oil Rubbed Bronze	+294

Step 3. Top Finish

T1 __	Veneer Tier 1	+0
T2 __	Veneer Tier 2	+878
T3 __	Veneer Tier 3	+2,601
GC01	Clear Glass, back painted, white	+2,366
GC __	Clear Glass, back painted, color	+3,981
GE01	Etched matte Glass, back painted, white	+3,079
GE __	Etched matte Glass, back painted, color	+4,773
CS01	Corian Glacier White	+5,383
QS __	Caesarstone	+12,399

Step 4. Power & Connectivity Access: Optional

TMHW	Tabletop, Metal lid, Hardwired, Qty 2	+3,996
TMPI	Tabletop, Metal lid, Plug In, Qty 2	+3,498
UMHW	Undermount, Hardwired, Qty 6	+5,340
UMPI	Undermount, Plug In, Qty 6	+3,864

Step 5. Microphone and/or Grommet Accommodations: Optional

MA __	Microphone hole (factory cut)	Qty __ x 321 each
GM __	2" Grommet Hole (factory cut), liner, lid, in matching metal finish	Qty __ x 423 each

Wire Management Column (sold separately)

Required with any technology selection

Pattern Number: 02WMC6X6	508
Pattern Number: 02WMC10X10	1,065

Step 1. Metal Finish for Wire Management Column

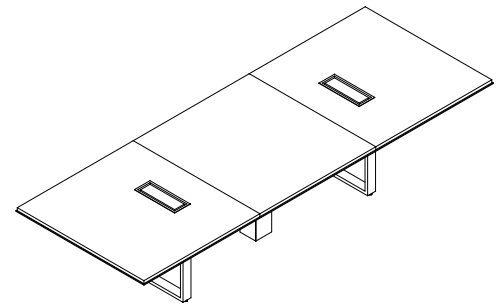
		6x6	10x10
MC __	Powder Coat	+0	+0
PM01	Polished Chrome	+749	+428
PM02	Satin Nickel	+749	+428
PM03	Oil Rubbed Bronze	+749	+428

Please consult [page 7](#) for the palette of DatesWeiser finishes. Natural stone, non-standard glass and veneer, and other technology options are available. Please email customerservice@datesweiser.com for a custom quote. Consult technical information on [page 274](#) for construction details and technical information.

Highline Rectangular Conference Table

48"x132"/ 10 Person

02R48X132



Starting Price: **\$14,907**

48x132 table, veneer Tier 1 top with metal edge, open base, powder coat metal finish

Pattern Number: 02R48X132

Step 1. Top Material

V	Veneer
G	Glass
C	Corian
Q	Caesarstone

Step 2. Metal Finish

MC __	Powder Coat	+0
PM01	Polished Chrome	+444
PM02	Satin Nickel	+444
PM03	Oil Rubbed Bronze	+444

Step 3. Top Finish

T1 __	Veneer Tier 1	+0
T2 __	Veneer Tier 2	+953
T3 __	Veneer Tier 3	+2,862
GC01	Clear Glass, back painted, white	+2,876
GC __	Clear Glass, back painted, color	+4,853
GE01	Etched matte Glass, back painted, white	+3,685
GE __	Etched matte Glass, back painted, color	+5,751
CS01	Corian Glacier White	+6,415
QS __	Caesarstone	+14,944

Step 4. Power & Connectivity Access: Optional

TMHW	Tabletop, Metal lid, Hardwired, Qty 2	+3,996
TMPI	Tabletop, Metal lid, Plug In, Qty 2	+3,498
UMHW	Undermount, Hardwired, Qty 6	+5,340
UMPI	Undermount, Plug In, Qty 6	+3,864

Step 5. Microphone and/or Grommet Accommodations: Optional

MA __	Microphone hole (factory cut)	Qty __ x 321 each
GM __	2" Grommet Hole (factory cut), liner, lid, in matching metal finish	Qty __ x 423 each

Wire Management Column (sold separately)

Required with any technology selection

Pattern Number: 02WMC6X6	508
Pattern Number: 02WMC10X10	1,065

Step 1. Metal Finish for Wire Management Column

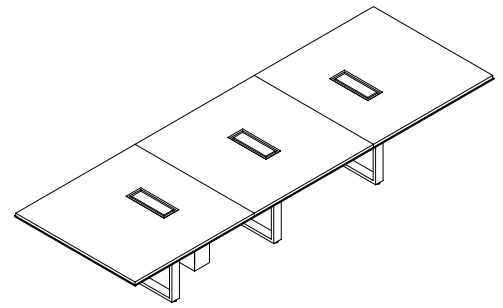
		6x6	10x10
MC __	Powder Coat	+0	+0
PM01	Polished Chrome	+749	+428
PM02	Satin Nickel	+749	+428
PM03	Oil Rubbed Bronze	+749	+428

Please consult [page 7](#) for the palette of DatesWeiser finishes. Natural stone, non-standard glass and veneer, and other technology options are available. Please email customerservice@datesweiser.com for a custom quote. Consult technical information on [page 274](#) for construction details and technical information.

Highline Rectangular Conference Table

48"x144"/ 10 Person

02R48X144



Starting Price: \$15,687

48x144 table, veneer Tier 1 top with metal edge, open base, powder coat metal finish

Pattern Number: 02R48X144

Step 1. Top Material

V	Veneer
G	Glass
C	Corian
Q	Caesarstone

Step 2. Metal Finish

MC __	Powder Coat	+0
PM01	Polished Chrome	+444
PM02	Satin Nickel	+444
PM03	Oil Rubbed Bronze	+444

Step 3. Top Finish

T1 __	Veneer Tier 1	+0
T2 __	Veneer Tier 2	+1,065
T3 __	Veneer Tier 3	+3,077
GC01	Clear Glass, back painted, white	+3,338
GC __	Clear Glass, back painted, color	+5,452
GE01	Etched matte Glass, back painted, white	+4,233
GE __	Etched matte Glass, back painted, color	+6,447
CS01	Corian Glacier White	+7,212
QS __	Caesarstone	+16,371

Step 4. Power & Connectivity Access: Optional

TMHW	Tabletop, Metal lid, Hardwired, Qty 3	+5,994
TMPI	Tabletop, Metal lid, Plug In, Qty 3	+5,247
UMHW	Undermount, Hardwired, Qty 6	+5,340
UMPI	Undermount, Plug In, Qty 6	+3,864

Step 5. Microphone and/or Grommet Accommodations: Optional

MA __	Microphone hole (factory cut)	Qty __ x 321 each
GM __	2" Grommet Hole (factory cut), liner, lid, in matching metal finish	Qty __ x 423 each

Wire Management Column (sold separately)

Required with any technology selection

Pattern Number: 02WMC6X6	508
Pattern Number: 02WMC10X10	1,065

Step 1. Metal Finish for Wire Management Column

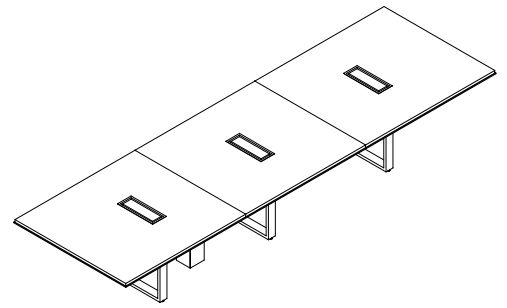
		6x6	10x10
MC __	Powder Coat	+0	+0
PM01	Polished Chrome	+749	+428
PM02	Satin Nickel	+749	+428
PM03	Oil Rubbed Bronze	+749	+428

Please consult [page 7](#) for the palette of DatesWeiser finishes. Natural stone, non-standard glass and veneer, and other technology options are available. Please email customerservice@datesweiser.com for a custom quote. Consult technical information on [page 274](#) for construction details and technical information.

Highline Rectangular Conference Table

48"x156"/ 10 Person

02R48X156



Starting Price: **\$16,101**

48x156 table, veneer Tier 1 top with metal edge, open base, powder coat metal finish

Pattern Number: 02R48X156

Step 1. Top Material

V	Veneer
G	Glass
C	Corian
Q	Caesarstone

Step 2. Metal Finish

MC __	Powder Coat	+0
PM01	Polished Chrome	+444
PM02	Satin Nickel	+444
PM03	Oil Rubbed Bronze	+444

Step 3. Top Finish

T1 __	Veneer Tier 1	+0
T2 __	Veneer Tier 2	+1,129
T3 __	Veneer Tier 3	+3,382
GC01	Clear Glass, back painted, white	+3,605
GC __	Clear Glass, back painted, color	+5,794
GE01	Etched matte Glass, back painted, white	+4,578
GE __	Etched matte Glass, back painted, color	+6,875
CS01	Corian Glacier White	+7,667
QS __	Caesarstone	+17,174

Step 4. Power & Connectivity Access: Optional

TMHW	Tabletop, Metal lid, Hardwired, Qty 3	+5,994
TMPI	Tabletop, Metal lid, Plug In, Qty 3	+5,247
UMHW	Undermount, Hardwired, Qty 6	+5,340
UMPI	Undermount, Plug In, Qty 6	+3,864

Step 5. Microphone and/or Grommet Accommodations: Optional

MA __	Microphone hole (factory cut)	Qty __ x 321 each
GM __	2" Grommet Hole (factory cut), liner, lid, in matching metal finish	Qty __ x 423 each

Wire Management Column (sold separately)

Required with any technology selection

Pattern Number: 02WMC6X6	508
Pattern Number: 02WMC10X10	1,065

Step 1. Metal Finish for Wire Management Column

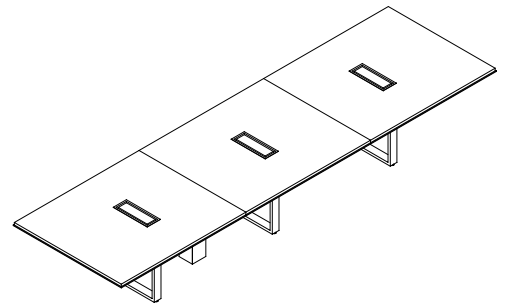
		6x6	10x10
MC __	Powder Coat	+0	+0
PM01	Polished Chrome	+749	+428
PM02	Satin Nickel	+749	+428
PM03	Oil Rubbed Bronze	+749	+428

Please consult [page 7](#) for the palette of DatesWeiser finishes. Natural stone, non-standard glass and veneer, and other technology options are available. Please email customerservice@datesweiser.com for a custom quote. Consult technical information on [page 274](#) for construction details and technical information.

Highline Rectangular Conference Table

48"x168"/ 12 Person

02R48X168



Starting Price: **\$17,064**

48x168 table, veneer Tier 1 top with metal edge, open base, powder coat metal finish

Pattern Number: 02R48X168

Step 1. Top Material

V	Veneer
G	Glass
C	Corian
Q	Caesarstone

Step 2. Metal Finish

MC __	Powder Coat	+0
PM01	Polished Chrome	+444
PM02	Satin Nickel	+444
PM03	Oil Rubbed Bronze	+444

Step 3. Top Finish

T1 __	Veneer Tier 1	+0
T2 __	Veneer Tier 2	+1,215
T3 __	Veneer Tier 3	+3,654
GC01	Clear Glass, back painted, white	+3,860
GC __	Clear Glass, back painted, color	+6,185
GE01	Etched matte Glass, back painted, white	+4,886
GE __	Etched matte Glass, back painted, color	+7,325
CS01	Corian Glacier White	+8,261
QS __	Caesarstone	+18,390

Step 4. Power & Connectivity Access: Optional

TMHW	Tabletop, Metal lid, Hardwired, Qty 3	+5,994
TMPI	Tabletop, Metal lid, Plug In, Qty 3	+5,247
UMHW	Undermount, Hardwired, Qty 6	+5,340
UMPI	Undermount, Plug In, Qty 6	+3,864

Step 5. Microphone and/or Grommet Accommodations: Optional

MA __	Microphone hole (factory cut)	Qty __ x 321 each
GM __	2" Grommet Hole (factory cut), liner, lid, in matching metal finish	Qty __ x 423 each

Wire Management Column (sold separately)

Required with any technology selection

Pattern Number: 02WMC6X6	508
Pattern Number: 02WMC10X10	1,065

Step 1. Metal Finish for Wire Management Column

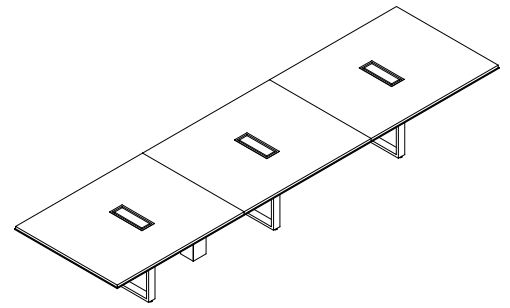
		6x6	10x10
MC __	Powder Coat	+0	+0
PM01	Polished Chrome	+749	+428
PM02	Satin Nickel	+749	+428
PM03	Oil Rubbed Bronze	+749	+428

Please consult [page 7](#) for the palette of DatesWeiser finishes. Natural stone, non-standard glass and veneer, and other technology options are available. Please email customerservice@datesweiser.com for a custom quote. Consult technical information on [page 274](#) for construction details and technical information.

Highline Rectangular Conference Table

48"x180"/ 14 Person

02R48X180



Starting Price: \$17,527

48x180 table, veneer Tier 1 top with metal edge, open base, powder coat metal finish

Pattern Number: 02R48X180

Step 1. Top Material

V	Veneer
G	Glass
C	Corian
Q	Caesarstone

Step 2. Metal Finish

MC __	Powder Coat	+0
PM01	Polished Chrome	+444
PM02	Satin Nickel	+444
PM03	Oil Rubbed Bronze	+444

Step 3. Top Finish

T1 __	Veneer Tier 1	+0
T2 __	Veneer Tier 2	+1,305
T3 __	Veneer Tier 3	+3,916
GC01	Clear Glass, back painted, white	+4,063
GC __	Clear Glass, back painted, color	+6,462
GE01	Etched matte Glass, back painted, white	+5,167
GE __	Etched matte Glass, back painted, color	+7,688
CS01	Corian Glacier White	+8,645
QS __	Caesarstone	+19,114

Step 4. Power & Connectivity Access: Optional

TMHW	Tabletop, Metal lid, Hardwired, Qty 3	+5,994
TMPI	Tabletop, Metal lid, Plug In, Qty 3	+5,247
UMHW	Undermount, Hardwired, Qty 8	+7,120
UMPI	Undermount, Plug In, Qty 8	+5,152

Step 5. Microphone and/or Grommet Accommodations: Optional

MA __	Microphone hole (factory cut)	Qty __ x 321 each
GM __	2" Grommet Hole (factory cut), liner, lid, in matching metal finish	Qty __ x 423 each

Wire Management Column (sold separately)

Required with any technology selection

Pattern Number: 02WMC6X6	508
Pattern Number: 02WMC10X10	1,065

Step 1. Metal Finish for Wire Management Column

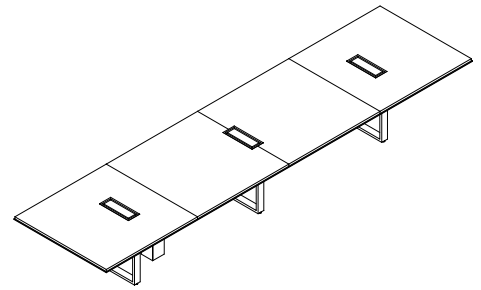
		6x6	10x10
MC __	Powder Coat	+0	+0
PM01	Polished Chrome	+749	+428
PM02	Satin Nickel	+749	+428
PM03	Oil Rubbed Bronze	+749	+428

Please consult [page 7](#) for the palette of DatesWeiser finishes. Natural stone, non-standard glass and veneer, and other technology options are available. Please email customerservice@datesweiser.com for a custom quote. Consult technical information on [page 274](#) for construction details and technical information.

Highline Rectangular Conference Table

48"x192"/ 14 Person

02R48X192



Starting Price: **\$19,208**

48x192 table, veneer Tier 1 top with metal edge, open base, powder coat metal finish

Pattern Number: 02R48X192

Step 1. Top Material

V	Veneer
G	Glass
C	Corian
Q	Caesarstone

Step 2. Metal Finish

MC __	Powder Coat	+0
PM01	Polished Chrome	+589
PM02	Satin Nickel	+589
PM03	Oil Rubbed Bronze	+589

Step 3. Top Finish

T1 __	Veneer Tier 1	+0
T2 __	Veneer Tier 2	+1,391
T3 __	Veneer Tier 3	+4,162
GC01	Clear Glass, back painted, white	+4,809
GC __	Clear Glass, back painted, color	+7,479
GE01	Etched matte Glass, back painted, white	+5,951
GE __	Etched matte Glass, back painted, color	+8,747
CS01	Corian Glacier White	+9,772
QS __	Caesarstone	+21,363

Step 4. Power & Connectivity Access: Optional

TMHW	Tabletop, Metal lid, Hardwired, Qty 3	+5,994
TMPI	Tabletop, Metal lid, Plug In, Qty 3	+5,247
UMHW	Undermount, Hardwired, Qty 8	+7,120
UMPI	Undermount, Plug In, Qty 8	+5,152

Step 5. Microphone and/or Grommet Accommodations: Optional

MA __	Microphone hole (factory cut)	Qty __ x 321 each
GM __	2" Grommet Hole (factory cut), liner, lid, in matching metal finish	Qty __ x 423 each

Wire Management Column (sold separately)

Required with any technology selection

Pattern Number: 02WMC6X6	508
Pattern Number: 02WMC10X10	1,065

Step 1. Metal Finish for Wire Management Column

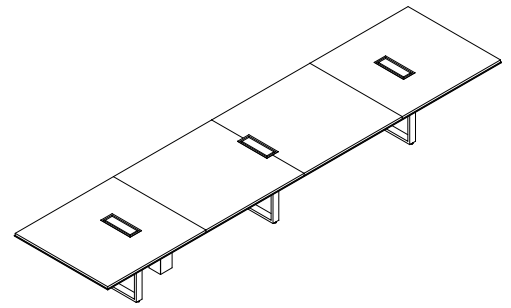
		6x6	10x10
MC __	Powder Coat	+0	+0
PM01	Polished Chrome	+749	+428
PM02	Satin Nickel	+749	+428
PM03	Oil Rubbed Bronze	+749	+428

Please consult [page 7](#) for the palette of DatesWeiser finishes. Natural stone, non-standard glass and veneer, and other technology options are available. Please email customerservice@datesweiser.com for a custom quote. Consult technical information on [page 274](#) for construction details and technical information.

Highline Rectangular Conference Table

48"x204"/ 14 Person

02R48X204



Starting Price: **\$19,679**

48x204 table, veneer Tier 1 top with metal edge, open base, powder coat metal finish

Pattern Number: 02R48X204

Step 1. Top Material

V	Veneer
G	Glass
C	Corian
Q	Caesarstone

Step 2. Metal Finish

MC __	Powder Coat	+0
PM01	Polished Chrome	+589
PM02	Satin Nickel	+589
PM03	Oil Rubbed Bronze	+589

Step 3. Top Finish

T1 __	Veneer Tier 1	+0
T2 __	Veneer Tier 2	+1,477
T3 __	Veneer Tier 3	+4,441
GC01	Clear Glass, back painted, white	+4,999
GC __	Clear Glass, back painted, color	+7,742
GE01	Etched matte Glass, back painted, white	+6,217
GE __	Etched matte Glass, back painted, color	+9,095
CS01	Corian Glacier White	+10,203
QS __	Caesarstone	+22,155

Step 4. Power & Connectivity Access: Optional

TMHW	Tabletop, Metal lid, Hardwired, Qty 3	+5,994
TMPI	Tabletop, Metal lid, Plug In, Qty 3	+5,247
UMHW	Undermount, Hardwired, Qty 8	+7,120
UMPI	Undermount, Plug In, Qty 8	+5,152

Step 5. Microphone and/or Grommet Accommodations: Optional

MA __	Microphone hole (factory cut)	Qty __ x 321 each
GM __	2" Grommet Hole (factory cut), liner, lid, in matching metal finish	Qty __ x 423 each

Wire Management Column (sold separately)

Required with any technology selection

Pattern Number: 02WMC6X6	508
Pattern Number: 02WMC10X10	1,065

Step 1. Metal Finish for Wire Management Column

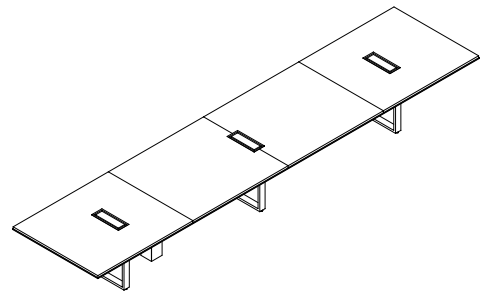
		6x6	10x10
MC __	Powder Coat	+0	+0
PM01	Polished Chrome	+749	+428
PM02	Satin Nickel	+749	+428
PM03	Oil Rubbed Bronze	+749	+428

Please consult [page 7](#) for the palette of DatesWeiser finishes. Natural stone, non-standard glass and veneer, and other technology options are available. Please email customerservice@datesweiser.com for a custom quote. Consult technical information on [page 274](#) for construction details and technical information.

Highline Rectangular Conference Table

48"x216"/ 16 Person

02R48X216



Starting Price: **\$20,161**

48x216 table, veneer Tier 1 top with metal edge, open base, powder coat metal finish

Pattern Number: 02R48X216

Step 1. Top Material

V	Veneer
G	Glass
C	Corian
Q	Caesarstone

Step 2. Metal Finish

MC __	Powder Coat	+0
PM01	Polished Chrome	+589
PM02	Satin Nickel	+589
PM03	Oil Rubbed Bronze	+589

Step 3. Top Finish

T1 __	Veneer Tier 1	+0
T2 __	Veneer Tier 2	+1,567
T3 __	Veneer Tier 3	+4,692
GC01	Clear Glass, back painted, white	+4,955
GC __	Clear Glass, back painted, color	+7,747
GE01	Etched matte Glass, back painted, white	+6,241
GE __	Etched matte Glass, back painted, color	+9,175
CS01	Corian Glacier White	+10,347
QS __	Caesarstone	+22,549

Step 4. Power & Connectivity Access: Optional

TMHW	Tabletop, Metal lid, Hardwired, Qty 3	+5,994
TMPI	Tabletop, Metal lid, Plug In, Qty 3	+5,247
UMHW	Undermount, Hardwired, Qty 8	+7,120
UMPI	Undermount, Plug In, Qty 8	+5,152

Step 5. Microphone and/or Grommet Accommodations: Optional

MA __	Microphone hole (factory cut)	Qty __ x 321 each
GM __	2" Grommet Hole (factory cut), liner, lid, in matching metal finish	Qty __ x 423 each

Wire Management Column (sold separately)

Required with any technology selection

Pattern Number: 02WMC6X6	508
Pattern Number: 02WMC10X10	1,065

Step 1. Metal Finish for Wire Management Column

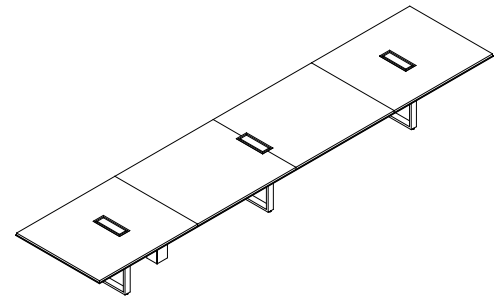
		6x6	10x10
MC __	Powder Coat	+0	+0
PM01	Polished Chrome	+749	+428
PM02	Satin Nickel	+749	+428
PM03	Oil Rubbed Bronze	+749	+428

Please consult [page 7](#) for the palette of DatesWeiser finishes. Natural stone, non-standard glass and veneer, and other technology options are available. Please email customerservice@datesweiser.com for a custom quote. Consult technical information on [page 274](#) for construction details and technical information.

Highline Rectangular Conference Table

48"x228"/ 16 Person

02R48X228



Starting Price: **\$20,618**

48x228 table, veneer Tier 1 top with metal edge, open base, powder coat metal finish

Pattern Number: 02R48X228

Step 1. Top Material

V	Veneer
G	Glass
C	Corian
Q	Caesarstone

Step 2. Metal Finish

MC __	Powder Coat	+0
PM01	Polished Chrome	+589
PM02	Satin Nickel	+589
PM03	Oil Rubbed Bronze	+589

Step 3. Top Finish

T1 __	Veneer Tier 1	+0
T2 __	Veneer Tier 2	+1,680
T3 __	Veneer Tier 3	+4,959
GC01	Clear Glass, back painted, white	+5,214
GC __	Clear Glass, back painted, color	+8,084
GE01	Etched matte Glass, back painted, white	+6,581
GE __	Etched matte Glass, back painted, color	+9,603
CS01	Corian Glacier White	+10,818
QS __	Caesarstone	+23,392

Step 4. Power & Connectivity Access: Optional

TMHW	Tabletop, Metal lid, Hardwired, Qty 3	+5,994
TMPI	Tabletop, Metal lid, Plug In, Qty 3	+5,247
UMHW	Undermount, Hardwired, Qty 8	+7,120
UMPI	Undermount, Plug In, Qty 8	+5,152

Step 5. Microphone and/or Grommet Accommodations: Optional

MA __	Microphone hole (factory cut)	Qty __ x 321 each
GM __	2" Grommet Hole (factory cut), liner, lid, in matching metal finish	Qty __ x 423 each

Wire Management Column (sold separately)

Required with any technology selection

Pattern Number: 02WMC6X6	508
Pattern Number: 02WMC10X10	1,065

Step 1. Metal Finish for Wire Management Column

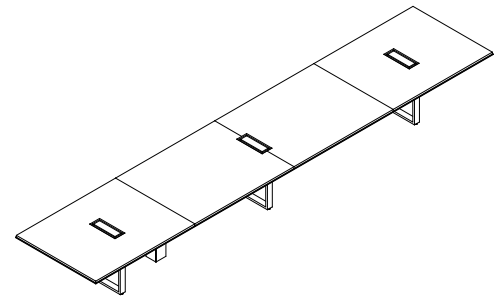
		6x6	10x10
MC __	Powder Coat	+0	+0
PM01	Polished Chrome	+749	+428
PM02	Satin Nickel	+749	+428
PM03	Oil Rubbed Bronze	+749	+428

Please consult [page 7](#) for the palette of DatesWeiser finishes. Natural stone, non-standard glass and veneer, and other technology options are available. Please email customerservice@datesweiser.com for a custom quote. Consult technical information on [page 274](#) for construction details and technical information.

Highline Rectangular Conference Table

48"x240"/ 18 Person

02R48X240



Starting Price: **\$21,095**

48x240 table, veneer Tier 1 top with metal edge, open base, powder coat metal finish

Pattern Number: 02R48X240

Step 1. Top Material

V	Veneer
G	Glass
C	Corian
Q	Caesarstone

Step 2. Metal Finish

MC __	Powder Coat	+0
PM01	Polished Chrome	+589
PM02	Satin Nickel	+589
PM03	Oil Rubbed Bronze	+589

Step 3. Top Finish

T1 __	Veneer Tier 1	+0
T2 __	Veneer Tier 2	+1,771
T3 __	Veneer Tier 3	+5,206
GC01	Clear Glass, back painted, white	+5,642
GC __	Clear Glass, back painted, color	+8,614
GE01	Etched matte Glass, back painted, white	+7,102
GE __	Etched matte Glass, back painted, color	+10,235
CS01	Corian Glacier White	+11,535
QS __	Caesarstone	+24,585

Step 4. Power & Connectivity Access: Optional

TMHW	Tabletop, Metal lid, Hardwired, Qty 3	+5,994
TMPI	Tabletop, Metal lid, Plug In, Qty 3	+5,247
UMHW	Undermount, Hardwired, Qty 10	+8,900
UMPI	Undermount, Plug In, Qty 10	+6,440

Step 5. Microphone and/or Grommet Accommodations: Optional

MA __	Microphone hole (factory cut)	Qty __ x 321 each
GM __	2" Grommet Hole (factory cut), liner, lid, in matching metal finish	Qty __ x 423 each

Wire Management Column (sold separately)

Required with any technology selection

Pattern Number: 02WMC6X6	508
Pattern Number: 02WMC10X10	1,065

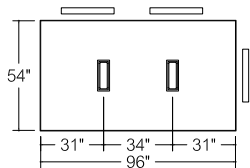
Step 1. Metal Finish for Wire Management Column

		6x6	10x10
MC __	Powder Coat	+0	+0
PM01	Polished Chrome	+749	+428
PM02	Satin Nickel	+749	+428
PM03	Oil Rubbed Bronze	+749	+428

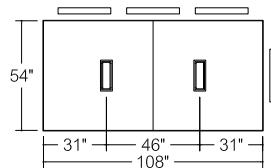
Please consult [page 7](#) for the palette of DatesWeiser finishes. Natural stone, non-standard glass and veneer, and other technology options are available. Please email customerservice@datesweiser.com for a custom quote. Consult technical information on [page 274](#) for construction details and technical information.

Highline Rectangular Conference Tables Index

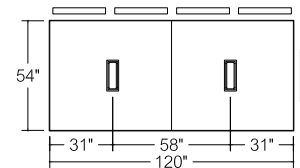
54" width



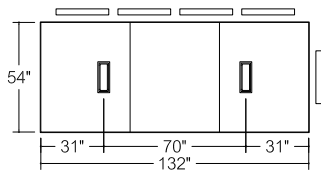
O2R54X96
6 Person Table



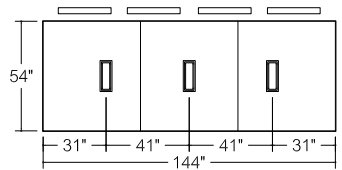
O2R54X108
8 Person Table



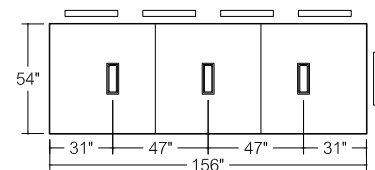
O2R54X120
10 Person Table



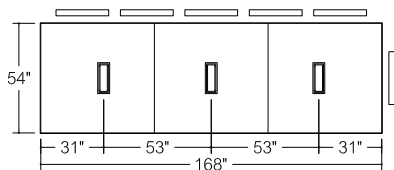
O2R54X132
10 Person Table



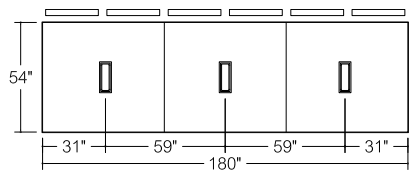
O2R54X144
10 Person Table



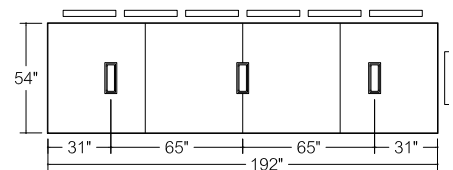
O2R54X156
10 Person Table



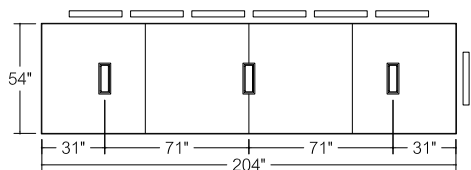
O2R54X168
12 Person Table



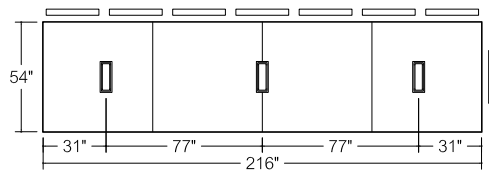
O2R54X180
14 Person Table



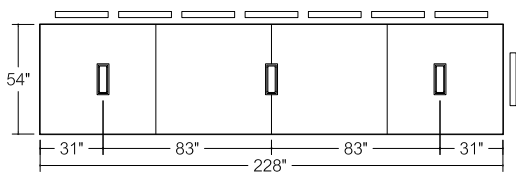
O2R54X192
14 Person Table



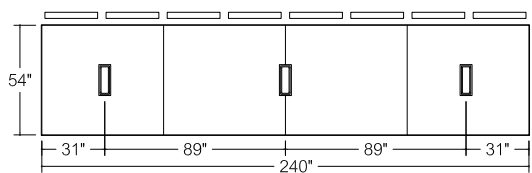
02R54X204
14 Person Table



02R54X216
16 Person Table



02R54X228
16 Person Table

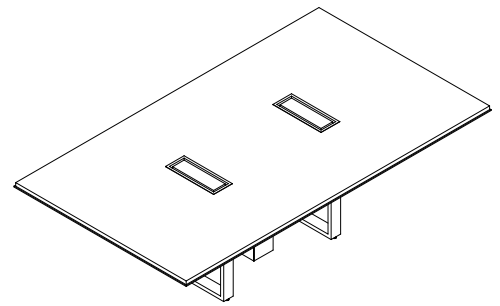


02R54X240
18 Person Table

Highline Rectangular Conference Table

54"x96"/ 6 Person

02R54X96



Starting Price: **\$11,744**

54x96 table, veneer Tier 1 top with metal edge, open base, powder coat metal finish

Pattern Number: 02R54X96

Step 1. Top Material

V	Veneer
G	Glass
C	Corian
Q	Caesarstone

Step 2. Metal Finish

MC __	Powder Coat	+0
PM01	Polished Chrome	+294
PM02	Satin Nickel	+294
PM03	Oil Rubbed Bronze	+294

Step 3. Top Finish

T1 __	Veneer Tier 1	+0
T2 __	Veneer Tier 2	+789
T3 __	Veneer Tier 3	+2,336
GC01	Clear Glass, back painted, white	+1,351
GC __	Clear Glass, back painted, color	+2,805
GE01	Etched matte Glass, back painted, white	+2,006
GE __	Etched matte Glass, back painted, color	+3,533
CS01	Corian Glacier White	+4,087
QS __	Caesarstone	+10,420

Step 4. Power & Connectivity Access: Optional

TMHW	Tabletop, Metal lid, Hardwired, Qty 2	+3,996
TMPI	Tabletop, Metal lid, Plug In, Qty 2	+3,498
UMHW	Undermount, Hardwired, Qty 4	+3,560
UMPI	Undermount, Plug In, Qty 4	+2,576

Step 5. Microphone and/or Grommet Accommodations: Optional

MA __	Microphone hole (factory cut)	Qty __ x 321 each
GM __	2" Grommet Hole (factory cut), liner, lid, in matching metal finish	Qty __ x 423 each

Wire Management Column (sold separately)

Required with any technology selection

Pattern Number: 02WMC6X6	508
Pattern Number: 02WMC10X10	1,065

Step 1. Metal Finish for Wire Management Column

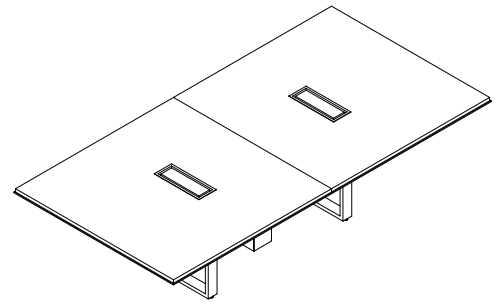
		6x6	10x10
MC __	Powder Coat	+0	+0
PM01	Polished Chrome	+749	+428
PM02	Satin Nickel	+749	+428
PM03	Oil Rubbed Bronze	+749	+428

Please consult [page 7](#) for the palette of DatesWeiser finishes. Natural stone, non-standard glass and veneer, and other technology options are available. Please email customerservice@datesweiser.com for a custom quote. Consult technical information on [page 274](#) for construction details and technical information.

Highline Rectangular Conference Table

54"x108"/ 8 Person

02R54X108



Starting Price: **\$12,724**

54x108 table, veneer Tier 1 top with metal edge, open base, powder coat metal finish

Pattern Number: 02R54X108

Step 1. Top Material

V	Veneer
G	Glass
C	Corian
Q	Caesarstone

Step 2. Metal Finish

MC __	Powder Coat	+0
PM01	Polished Chrome	+294
PM02	Satin Nickel	+294
PM03	Oil Rubbed Bronze	+294

Step 3. Top Finish

T1 __	Veneer Tier 1	+0
T2 __	Veneer Tier 2	+885
T3 __	Veneer Tier 3	+2,637
GC01	Clear Glass, back painted, white	+1,984
GC __	Clear Glass, back painted, color	+3,618
GE01	Etched matte Glass, back painted, white	+2,736
GE __	Etched matte Glass, back painted, color	+4,455
CS01	Corian Glacier White	+5,087
QS __	Caesarstone	+12,211

Step 4. Power & Connectivity Access: Optional

TMHW	Tabletop, Metal lid, Hardwired, Qty 2	+3,996
TMPI	Tabletop, Metal lid, Plug In, Qty 2	+3,498
UMHW	Undermount, Hardwired, Qty 4	+3,560
UMPI	Undermount, Plug In, Qty 4	+2,576

Step 5. Microphone and/or Grommet Accommodations: Optional

MA __	Microphone hole (factory cut)	Qty __ x 321 each
GM __	2" Grommet Hole (factory cut), liner, lid, in matching metal finish	Qty __ x 423 each

Wire Management Column (sold separately)

Required with any technology selection

Pattern Number: 02WMC6X6	508
Pattern Number: 02WMC10X10	1,065

Step 1. Metal Finish for Wire Management Column

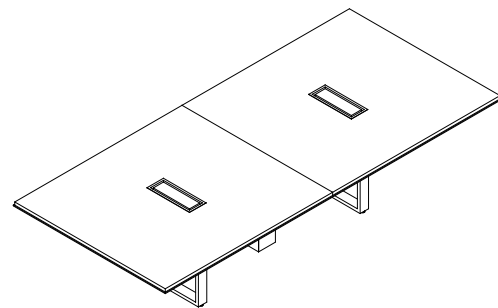
		6x6	10x10
MC __	Powder Coat	+0	+0
PM01	Polished Chrome	+749	+428
PM02	Satin Nickel	+749	+428
PM03	Oil Rubbed Bronze	+749	+428

Please consult [page 7](#) for the palette of DatesWeiser finishes. Natural stone, non-standard glass and veneer, and other technology options are available. Please email customerservice@datesweiser.com for a custom quote. Consult technical information on [page 274](#) for construction details and technical information.

Highline Rectangular Conference Table

54"x120"/ 10 Person

02R54X120



Starting Price: **\$13,711**

54x120 table, veneer Tier 1 top with metal edge, open base, powder coat metal finish

Pattern Number: 02R54X120

Step 1. Top Material

V	Veneer
G	Glass
C	Corian
Q	Caesarstone

Step 2. Metal Finish

MC __	Powder Coat	+0
PM01	Polished Chrome	+294
PM02	Satin Nickel	+294
PM03	Oil Rubbed Bronze	+294

Step 3. Top Finish

T1 __	Veneer Tier 1	+0
T2 __	Veneer Tier 2	+987
T3 __	Veneer Tier 3	+2,925
GC01	Clear Glass, back painted, white	+2,659
GC __	Clear Glass, back painted, color	+4,478
GE01	Etched matte Glass, back painted, white	+3,460
GE __	Etched matte Glass, back painted, color	+5,368
CS01	Corian Glacier White	+6,055
QS __	Caesarstone	+13,961

Step 4. Power & Connectivity Access: Optional

TMHW	Tabletop, Metal lid, Hardwired, Qty 2	+3,996
TMPI	Tabletop, Metal lid, Plug In, Qty 2	+3,498
UMHW	Undermount, Hardwired, Qty 6	+5,340
UMPI	Undermount, Plug In, Qty 6	+3,864

Step 5. Microphone and/or Grommet Accommodations: Optional

MA __	Microphone hole (factory cut)	Qty __ x 321 each
GM __	2" Grommet Hole (factory cut), liner, lid, in matching metal finish	Qty __ x 423 each

Wire Management Column (sold separately)

Required with any technology selection

Pattern Number: 02WMC6X6	508
Pattern Number: 02WMC10X10	1,065

Step 1. Metal Finish for Wire Management Column

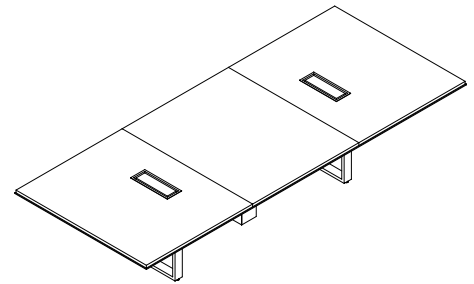
		6x6	10x10
MC __	Powder Coat	+0	+0
PM01	Polished Chrome	+749	+428
PM02	Satin Nickel	+749	+428
PM03	Oil Rubbed Bronze	+749	+428

Please consult [page 7](#) for the palette of DatesWeiser finishes. Natural stone, non-standard glass and veneer, and other technology options are available. Please email customerservice@datesweiser.com for a custom quote. Consult technical information on [page 274](#) for construction details and technical information.

Highline Rectangular Conference Table

54"x132"/ 10 Person

02R54X132



Starting Price: **\$16,820**

54x132 table, veneer Tier 1 top with metal edge, open base, powder coat metal finish

Pattern Number: 02R54X132

Step 1. Top Material

V	Veneer
G	Glass
C	Corian
Q	Caesarstone

Step 2. Metal Finish

MC __	Powder Coat	+0
PM01	Polished Chrome	+444
PM02	Satin Nickel	+444
PM03	Oil Rubbed Bronze	+444

Step 3. Top Finish

T1 __	Veneer Tier 1	+0
T2 __	Veneer Tier 2	+1,071
T3 __	Veneer Tier 3	+3,221
GC01	Clear Glass, back painted, white	+3,232
GC __	Clear Glass, back painted, color	+5,460
GE01	Etched matte Glass, back painted, white	+4,141
GE __	Etched matte Glass, back painted, color	+6,471
CS01	Corian Glacier White	+7,218
QS __	Caesarstone	+16,832

Step 4. Power & Connectivity Access: Optional

TMHW	Tabletop, Metal lid, Hardwired, Qty 2	+3,996
TMPI	Tabletop, Metal lid, Plug In, Qty 2	+3,498
UMHW	Undermount, Hardwired, Qty 6	+5,340
UMPI	Undermount, Plug In, Qty 6	+3,864

Step 5. Microphone and/or Grommet Accommodations: Optional

MA __	Microphone hole (factory cut)	Qty __ x 321 each
GM __	2" Grommet Hole (factory cut), liner, lid, in matching metal finish	Qty __ x 423 each

Wire Management Column (sold separately)

Required with any technology selection

Pattern Number: 02WMC6X6	508
Pattern Number: 02WMC10X10	1,065

Step 1. Metal Finish for Wire Management Column

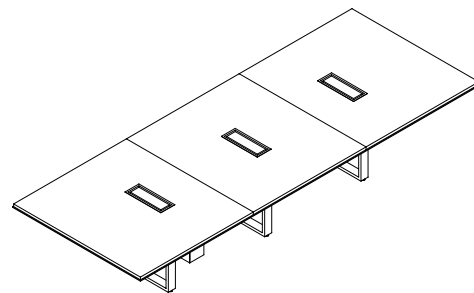
		6x6	10x10
MC __	Powder Coat	+0	+0
PM01	Polished Chrome	+749	+428
PM02	Satin Nickel	+749	+428
PM03	Oil Rubbed Bronze	+749	+428

Please consult [page 7](#) for the palette of DatesWeiser finishes. Natural stone, non-standard glass and veneer, and other technology options are available. Please email customerservice@datesweiser.com for a custom quote. Consult technical information on [page 274](#) for construction details and technical information.

Highline Rectangular Conference Table

54"x144"/ 10 Person

02R54X144



Starting Price: **\$17,698**

54x144 table, veneer Tier 1 top with metal edge, open base, powder coat metal finish

Pattern Number: 02R54X144

Step 1. Top Material

V	Veneer
G	Glass
C	Corian
Q	Caesarstone

Step 2. Metal Finish

MC __	Powder Coat	+0
PM01	Polished Chrome	+444
PM02	Satin Nickel	+444
PM03	Oil Rubbed Bronze	+444

Step 3. Top Finish

T1 __	Veneer Tier 1	+0
T2 __	Veneer Tier 2	+1,120
T3 __	Veneer Tier 3	+3,461
GC01	Clear Glass, back painted, white	+3,750
GC __	Clear Glass, back painted, color	+6,133
GE01	Etched matte Glass, back painted, white	+4,758
GE __	Etched matte Glass, back painted, color	+7,252
CS01	Corian Glacier White	+8,114
QS __	Caesarstone	+18,438

Step 4. Power & Connectivity Access: Optional

TMHW	Tabletop, Metal lid, Hardwired, Qty 3	+5,994
TMPI	Tabletop, Metal lid, Plug In, Qty 3	+5,247
UMHW	Undermount, Hardwired, Qty 6	+5,340
UMPI	Undermount, Plug In, Qty 6	+3,864

Step 5. Microphone and/or Grommet Accommodations: Optional

MA __	Microphone hole (factory cut)	Qty __ x 321 each
GM __	2" Grommet Hole (factory cut), liner, lid, in matching metal finish	Qty __ x 423 each

Wire Management Column (sold separately)

Required with any technology selection

Pattern Number: 02WMC6X6	508
Pattern Number: 02WMC10X10	1,065

Step 1. Metal Finish for Wire Management Column

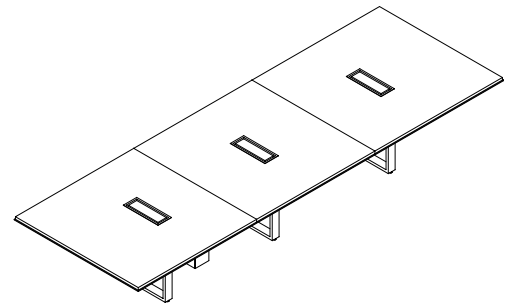
		6x6	10x10
MC __	Powder Coat	+0	+0
PM01	Polished Chrome	+749	+428
PM02	Satin Nickel	+749	+428
PM03	Oil Rubbed Bronze	+749	+428

Please consult [page 7](#) for the palette of DatesWeiser finishes. Natural stone, non-standard glass and veneer, and other technology options are available. Please email customerservice@datesweiser.com for a custom quote. Consult technical information on [page 274](#) for construction details and technical information.

Highline Rectangular Conference Table

54"x156"/ 10 Person

02R54X156



Starting Price: **\$18,164**

54x156 table, veneer Tier 1 top with metal edge, open base, powder coat metal finish

Pattern Number: 02R54X156

Step 1. Top Material

V	Veneer
G	Glass
C	Corian
Q	Caesarstone

Step 2. Metal Finish

MC __	Powder Coat	+0
PM01	Polished Chrome	+444
PM02	Satin Nickel	+444
PM03	Oil Rubbed Bronze	+444

Step 3. Top Finish

T1 __	Veneer Tier 1	+0
T2 __	Veneer Tier 2	+1,270
T3 __	Veneer Tier 3	+3,804
GC01	Clear Glass, back painted, white	+4,050
GC __	Clear Glass, back painted, color	+6,519
GE01	Etched matte Glass, back painted, white	+5,144
GE __	Etched matte Glass, back painted, color	+7,734
CS01	Corian Glacier White	+8,625
QS __	Caesarstone	+19,341

Step 4. Power & Connectivity Access: Optional

TMHW	Tabletop, Metal lid, Hardwired, Qty 3	+5,994
TMPI	Tabletop, Metal lid, Plug In, Qty 3	+5,247
UMHW	Undermount, Hardwired, Qty 6	+5,340
UMPI	Undermount, Plug In, Qty 6	+3,864

Step 5. Microphone and/or Grommet Accommodations: Optional

MA __	Microphone hole (factory cut)	Qty __ x 321 each
GM __	2" Grommet Hole (factory cut), liner, lid, in matching metal finish	Qty __ x 423 each

Wire Management Column (sold separately)

Required with any technology selection

Pattern Number: 02WMC6X6	508
Pattern Number: 02WMC10X10	1,065

Step 1. Metal Finish for Wire Management Column

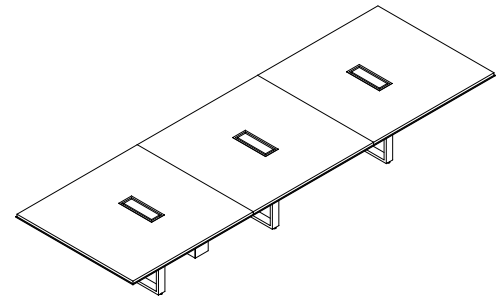
		6x6	10x10
MC __	Powder Coat	+0	+0
PM01	Polished Chrome	+749	+428
PM02	Satin Nickel	+749	+428
PM03	Oil Rubbed Bronze	+749	+428

Please consult [page 7](#) for the palette of DatesWeiser finishes. Natural stone, non-standard glass and veneer, and other technology options are available. Please email customerservice@datesweiser.com for a custom quote. Consult technical information on [page 274](#) for construction details and technical information.

Highline Rectangular Conference Table

54"x168"/ 12 Person

02R54X168



Starting Price: **\$19,247**

54x168 table, veneer Tier 1 top with metal edge, open base, powder coat metal finish

Pattern Number: 02R54X168

Step 1. Top Material

V	Veneer
G	Glass
C	Corian
Q	Caesarstone

Step 2. Metal Finish

MC __	Powder Coat	+0
PM01	Polished Chrome	+444
PM02	Satin Nickel	+444
PM03	Oil Rubbed Bronze	+444

Step 3. Top Finish

T1 __	Veneer Tier 1	+0
T2 __	Veneer Tier 2	+1,367
T3 __	Veneer Tier 3	+4,111
GC01	Clear Glass, back painted, white	+4,338
GC __	Clear Glass, back painted, color	+6,958
GE01	Etched matte Glass, back painted, white	+5,491
GE __	Etched matte Glass, back painted, color	+8,240
CS01	Corian Glacier White	+9,293
QS __	Caesarstone	+20,709

Step 4. Power & Connectivity Access: Optional

TMHW	Tabletop, Metal lid, Hardwired, Qty 3	+5,994
TMPI	Tabletop, Metal lid, Plug In, Qty 3	+5,247
UMHW	Undermount, Hardwired, Qty 6	+5,340
UMPI	Undermount, Plug In, Qty 6	+3,864

Step 5. Microphone and/or Grommet Accommodations: Optional

MA __	Microphone hole (factory cut)	Qty __ x 321 each
GM __	2" Grommet Hole (factory cut), liner, lid, in matching metal finish	Qty __ x 423 each

Wire Management Column (sold separately)

Required with any technology selection

Pattern Number: 02WMC6X6	508
Pattern Number: 02WMC10X10	1,065

Step 1. Metal Finish for Wire Management Column

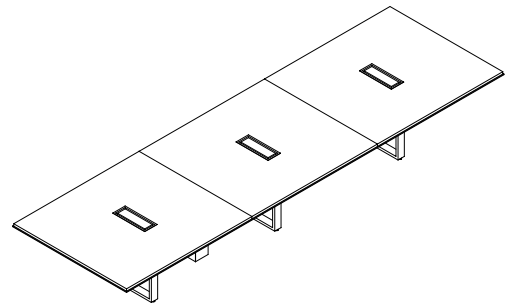
		6x6	10x10
MC __	Powder Coat	+0	+0
PM01	Polished Chrome	+749	+428
PM02	Satin Nickel	+749	+428
PM03	Oil Rubbed Bronze	+749	+428

Please consult [page 7](#) for the palette of DatesWeiser finishes. Natural stone, non-standard glass and veneer, and other technology options are available. Please email customerservice@datesweiser.com for a custom quote. Consult technical information on [page 274](#) for construction details and technical information.

Highline Rectangular Conference Table

54"x180"/ 14 Person

02R54X180



Starting Price: **\$19,767**

54x180 table, veneer Tier 1 top with metal edge, open base, powder coat metal finish

Pattern Number: 02R54X180

Step 1. Top Material

V	Veneer
G	Glass
C	Corian
Q	Caesarstone

Step 2. Metal Finish

MC __	Powder Coat	+0
PM01	Polished Chrome	+444
PM02	Satin Nickel	+444
PM03	Oil Rubbed Bronze	+444

Step 3. Top Finish

T1 __	Veneer Tier 1	+0
T2 __	Veneer Tier 2	+1,469
T3 __	Veneer Tier 3	+4,406
GC01	Clear Glass, back painted, white	+4,567
GC __	Clear Glass, back painted, color	+7,271
GE01	Etched matte Glass, back painted, white	+5,808
GE __	Etched matte Glass, back painted, color	+8,649
CS01	Corian Glacier White	+9,726
QS __	Caesarstone	+21,524

Step 4. Power & Connectivity Access: Optional

TMHW	Tabletop, Metal lid, Hardwired, Qty 3	+5,994
TMPI	Tabletop, Metal lid, Plug In, Qty 3	+5,247
UMHW	Undermount, Hardwired, Qty 8	+7,120
UMPI	Undermount, Plug In, Qty 8	+5,152

Step 5. Microphone and/or Grommet Accommodations: Optional

MA __	Microphone hole (factory cut)	Qty __ x 321 each
GM __	2" Grommet Hole (factory cut), liner, lid, in matching metal finish	Qty __ x 423 each

Wire Management Column (sold separately)

Required with any technology selection

Pattern Number: 02WMC6X6	508
Pattern Number: 02WMC10X10	1,065

Step 1. Metal Finish for Wire Management Column

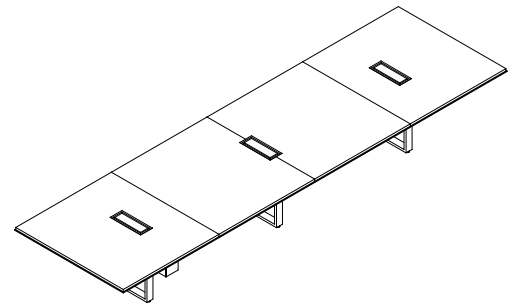
		6x6	10x10
MC __	Powder Coat	+0	+0
PM01	Polished Chrome	+749	+428
PM02	Satin Nickel	+749	+428
PM03	Oil Rubbed Bronze	+749	+428

Please consult [page 7](#) for the palette of DatesWeiser finishes. Natural stone, non-standard glass and veneer, and other technology options are available. Please email customerservice@datesweiser.com for a custom quote. Consult technical information on [page 274](#) for construction details and technical information.

Highline Rectangular Conference Table

54"x192"/ 14 Person

02R54X192



Starting Price: **\$21,674**

54x192 table, veneer Tier 1 top with metal edge, open base, powder coat metal finish

Pattern Number: 02R54X192

Step 1. Top Material

V	Veneer
G	Glass
C	Corian
Q	Caesarstone

Step 2. Metal Finish

MC __	Powder Coat	+0
PM01	Polished Chrome	+589
PM02	Satin Nickel	+589
PM03	Oil Rubbed Bronze	+589

Step 3. Top Finish

T1 __	Veneer Tier 1	+0
T2 __	Veneer Tier 2	+1,565
T3 __	Veneer Tier 3	+4,682
GC01	Clear Glass, back painted, white	+5,406
GC __	Clear Glass, back painted, color	+8,414
GE01	Etched matte Glass, back painted, white	+6,690
GE __	Etched matte Glass, back painted, color	+9,841
CS01	Corian Glacier White	+10,994
QS __	Caesarstone	+24,061

Step 4. Power & Connectivity Access: Optional

TMHW	Tabletop, Metal lid, Hardwired, Qty 3	+5,994
TMPI	Tabletop, Metal lid, Plug In, Qty 3	+5,247
UMHW	Undermount, Hardwired, Qty 8	+7,120
UMPI	Undermount, Plug In, Qty 8	+5,152

Step 5. Microphone and/or Grommet Accommodations: Optional

MA __	Microphone hole (factory cut)	Qty __ x 321 each
GM __	2" Grommet Hole (factory cut), liner, lid, in matching metal finish	Qty __ x 423 each

Wire Management Column (sold separately)

Required with any technology selection

Pattern Number: 02WMC6X6	508
Pattern Number: 02WMC10X10	1,065

Step 1. Metal Finish for Wire Management Column

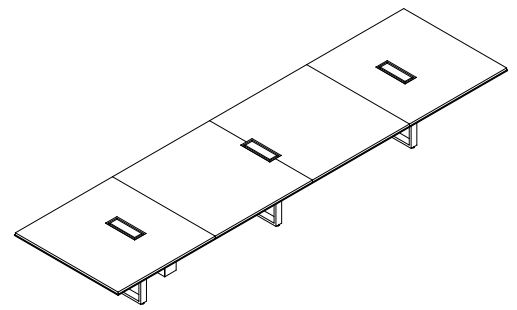
		6x6	10x10
MC __	Powder Coat	+0	+0
PM01	Polished Chrome	+749	+428
PM02	Satin Nickel	+749	+428
PM03	Oil Rubbed Bronze	+749	+428

Please consult [page 7](#) for the palette of DatesWeiser finishes. Natural stone, non-standard glass and veneer, and other technology options are available. Please email customerservice@datesweiser.com for a custom quote. Consult technical information on [page 274](#) for construction details and technical information.

Highline Rectangular Conference Table

54"x204"/ 14 Person

02R54X204



Starting Price: **\$22,205**

54x204 table, veneer Tier 1 top with metal edge, open base, powder coat metal finish

Pattern Number: 02R54X204

Step 1. Top Material

V	Veneer
G	Glass
C	Corian
Q	Caesarstone

Step 2. Metal Finish

MC __	Powder Coat	+0
PM01	Polished Chrome	+589
PM02	Satin Nickel	+589
PM03	Oil Rubbed Bronze	+589

Step 3. Top Finish

T1 __	Veneer Tier 1	+0
T2 __	Veneer Tier 2	+1,661
T3 __	Veneer Tier 3	+4,995
GC01	Clear Glass, back painted, white	+5,618
GC __	Clear Glass, back painted, color	+8,709
GE01	Etched matte Glass, back painted, white	+6,988
GE __	Etched matte Glass, back painted, color	+10,232
CS01	Corian Glacier White	+11,478
QS __	Caesarstone	+24,951

Step 4. Power & Connectivity Access: Optional

TMHW	Tabletop, Metal lid, Hardwired, Qty 3	+5,994
TMPI	Tabletop, Metal lid, Plug In, Qty 3	+5,247
UMHW	Undermount, Hardwired, Qty 8	+7,120
UMPI	Undermount, Plug In, Qty 8	+5,152

Step 5. Microphone and/or Grommet Accommodations: Optional

MA __	Microphone hole (factory cut)	Qty __ x 321 each
GM __	2" Grommet Hole (factory cut), liner, lid, in matching metal finish	Qty __ x 423 each

Wire Management Column (sold separately)

Required with any technology selection

Pattern Number: 02WMC6X6	508
Pattern Number: 02WMC10X10	1,065

Step 1. Metal Finish for Wire Management Column

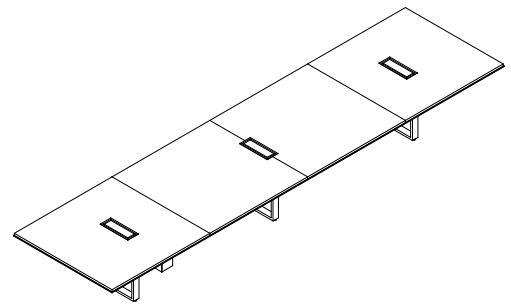
		6x6	10x10
MC __	Powder Coat	+0	+0
PM01	Polished Chrome	+749	+428
PM02	Satin Nickel	+749	+428
PM03	Oil Rubbed Bronze	+749	+428

Please consult [page 7](#) for the palette of DatesWeiser finishes. Natural stone, non-standard glass and veneer, and other technology options are available. Please email customerservice@datesweiser.com for a custom quote. Consult technical information on [page 274](#) for construction details and technical information.

Highline Rectangular Conference Table

54"x216"/ 16 Person

02R54X216



Starting Price: **\$22,747**

54x216 table, veneer Tier 1 top with metal edge, open base, powder coat metal finish

Pattern Number: 02R54X216

Step 1. Top Material

V	Veneer
G	Glass
C	Corian
Q	Caesarstone

Step 2. Metal Finish

MC __	Powder Coat	+0
PM01	Polished Chrome	+589
PM02	Satin Nickel	+589
PM03	Oil Rubbed Bronze	+589

Step 3. Top Finish

T1 __	Veneer Tier 1	+0
T2 __	Veneer Tier 2	+1,763
T3 __	Veneer Tier 3	+5,278
GC01	Clear Glass, back painted, white	+5,568
GC __	Clear Glass, back painted, color	+8,715
GE01	Etched matte Glass, back painted, white	+7,015
GE __	Etched matte Glass, back painted, color	+10,321
CS01	Corian Glacier White	+11,640
QS __	Caesarstone	+25,394

Step 4. Power & Connectivity Access: Optional

TMHW	Tabletop, Metal lid, Hardwired, Qty 3	+5,994
TMPI	Tabletop, Metal lid, Plug In, Qty 3	+5,247
UMHW	Undermount, Hardwired, Qty 8	+7,120
UMPI	Undermount, Plug In, Qty 8	+5,152

Step 5. Microphone and/or Grommet Accommodations: Optional

MA __	Microphone hole (factory cut)	Qty __ x 321 each
GM __	2" Grommet Hole (factory cut), liner, lid, in matching metal finish	Qty __ x 423 each

Wire Management Column (sold separately)

Required with any technology selection

Pattern Number: 02WMC6X6	508
Pattern Number: 02WMC10X10	1,065

Step 1. Metal Finish for Wire Management Column

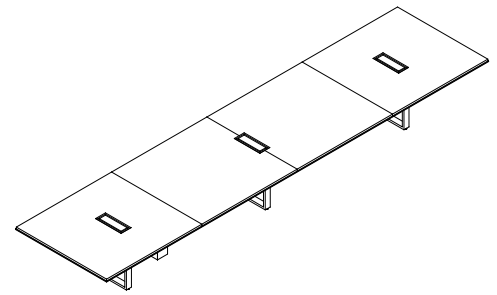
		6x6	10x10
MC __	Powder Coat	+0	+0
PM01	Polished Chrome	+749	+428
PM02	Satin Nickel	+749	+428
PM03	Oil Rubbed Bronze	+749	+428

Please consult [page 7](#) for the palette of DatesWeiser finishes. Natural stone, non-standard glass and veneer, and other technology options are available. Please email customerservice@datesweiser.com for a custom quote. Consult technical information on [page 274](#) for construction details and technical information.

Highline Rectangular Conference Table

54"x228"/ 16 Person

02R54X228



Starting Price: **\$23,262**

54x228 table, veneer Tier 1 top with metal edge, open base, powder coat metal finish

Pattern Number: 02R54X228

Step 1. Top Material

V	Veneer
G	Glass
C	Corian
Q	Caesarstone

Step 2. Metal Finish

MC __	Powder Coat	+0
PM01	Polished Chrome	+589
PM02	Satin Nickel	+589
PM03	Oil Rubbed Bronze	+589

Step 3. Top Finish

T1 __	Veneer Tier 1	+0
T2 __	Veneer Tier 2	+1,889
T3 __	Veneer Tier 3	+5,579
GC01	Clear Glass, back painted, white	+5,858
GC __	Clear Glass, back painted, color	+9,094
GE01	Etched matte Glass, back painted, white	+7,397
GE __	Etched matte Glass, back painted, color	+10,803
CS01	Corian Glacier White	+12,169
QS __	Caesarstone	+26,342

Step 4. Power & Connectivity Access: Optional

TMHW	Tabletop, Metal lid, Hardwired, Qty 3	+5,994
TMPI	Tabletop, Metal lid, Plug In, Qty 3	+5,247
UMHW	Undermount, Hardwired, Qty 8	+7,120
UMPI	Undermount, Plug In, Qty 8	+5,152

Step 5. Microphone and/or Grommet Accommodations: Optional

MA __	Microphone hole (factory cut)	Qty __ x 321 each
GM __	2" Grommet Hole (factory cut), liner, lid, in matching metal finish	Qty __ x 423 each

Wire Management Column (sold separately)

Required with any technology selection

Pattern Number: 02WMC6X6	508
Pattern Number: 02WMC10X10	1,065

Step 1. Metal Finish for Wire Management Column

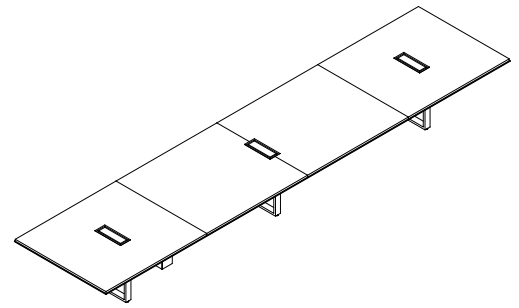
		6x6	10x10
MC __	Powder Coat	+0	+0
PM01	Polished Chrome	+749	+428
PM02	Satin Nickel	+749	+428
PM03	Oil Rubbed Bronze	+749	+428

Please consult [page 7](#) for the palette of DatesWeiser finishes. Natural stone, non-standard glass and veneer, and other technology options are available. Please email customerservice@datesweiser.com for a custom quote. Consult technical information on [page 274](#) for construction details and technical information.

Highline Rectangular Conference Table

54"x240"/ 18 Person

02R54X240



Starting Price: **\$23,798**

54x240 table, veneer Tier 1 top with metal edge, open base, powder coat metal finish

Pattern Number: 02R54X240

Step 1. Top Material

V	Veneer
G	Glass
C	Corian
Q	Caesarstone

Step 2. Metal Finish

MC __	Powder Coat	+0
PM01	Polished Chrome	+589
PM02	Satin Nickel	+589
PM03	Oil Rubbed Bronze	+589

Step 3. Top Finish

T1 __	Veneer Tier 1	+0
T2 __	Veneer Tier 2	+1,992
T3 __	Veneer Tier 3	+5,856
GC01	Clear Glass, back painted, white	+6,341
GC __	Clear Glass, back painted, color	+9,690
GE01	Etched matte Glass, back painted, white	+7,982
GE __	Etched matte Glass, back painted, color	+11,513
CS01	Corian Glacier White	+12,976
QS __	Caesarstone	+27,685

Step 4. Power & Connectivity Access: Optional

TMHW	Tabletop, Metal lid, Hardwired, Qty 3	+5,994
TMPI	Tabletop, Metal lid, Plug In, Qty 3	+5,247
UMHW	Undermount, Hardwired, Qty 10	+8,900
UMPI	Undermount, Plug In, Qty 10	+6,440

Step 5. Microphone and/or Grommet Accommodations: Optional

MA __	Microphone hole (factory cut)	Qty __ x 321 each
GM __	2" Grommet Hole (factory cut), liner, lid, in matching metal finish	Qty __ x 423 each

Wire Management Column (sold separately)

Required with any technology selection

Pattern Number: 02WMC6X6	508
Pattern Number: 02WMC10X10	1,065

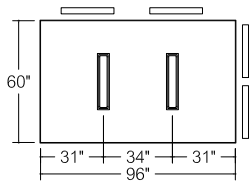
Step 1. Metal Finish for Wire Management Column

		6x6	10x10
MC __	Powder Coat	+0	+0
PM01	Polished Chrome	+749	+428
PM02	Satin Nickel	+749	+428
PM03	Oil Rubbed Bronze	+749	+428

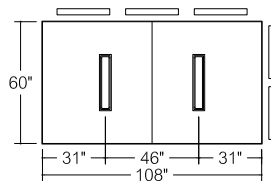
Please consult [page 7](#) for the palette of DatesWeiser finishes. Natural stone, non-standard glass and veneer, and other technology options are available. Please email customerservice@datesweiser.com for a custom quote. Consult technical information on [page 274](#) for construction details and technical information.

Highline Rectangular Conference Tables Index

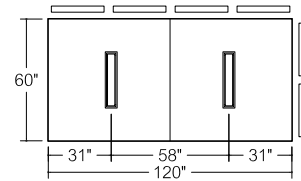
60" width



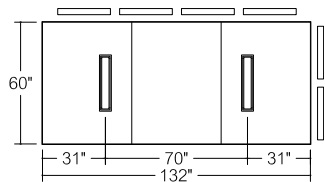
02R60X96
8 Person Table



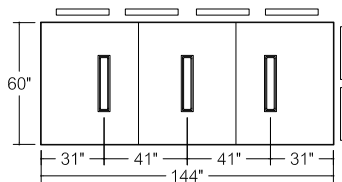
02R60X108
10 Person Table



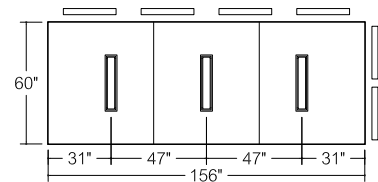
02R60X120
12 Person Table



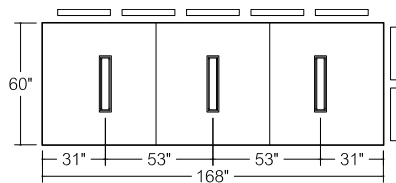
02R60X132
12 Person Table



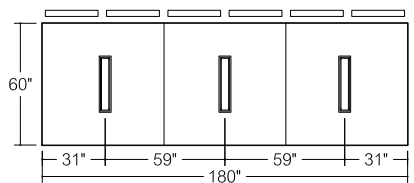
02R60X144
12 Person Table



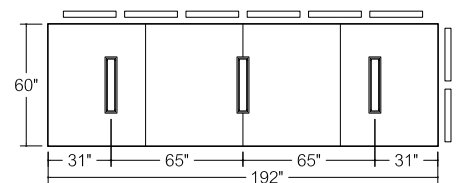
02R60X156
12 Person Table



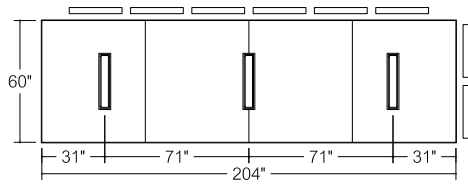
02R60X168
14 Person Table



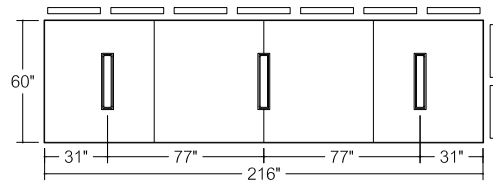
02R60X180
16 Person Table



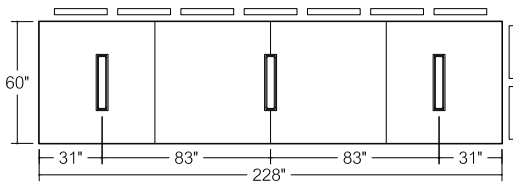
02R60X192
16 Person Table



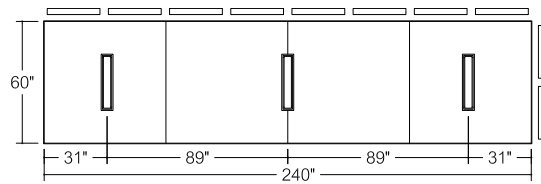
02R60X204
16 Person Table



02R60X216
18 Person Table



02R60X228
18 Person Table

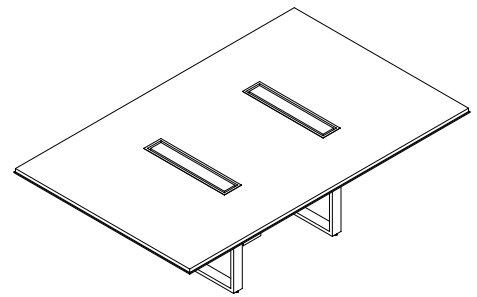


02R60X240
20 Person Table

Highline Rectangular Conference Table

60"x96"/ 8 Person

02R60X96



Starting Price: **\$12,095**

60x96 table, veneer Tier 1 top with metal edge, open base, powder coat metal finish

Pattern Number: 02R60X96

Step 1. Top Material

V	Veneer
G	Glass
C	Corian
Q	Caesarstone

Step 2. Metal Finish

MC __	Powder Coat	+0
PM01	Polished Chrome	+294
PM02	Satin Nickel	+294
PM03	Oil Rubbed Bronze	+294

Step 3. Top Finish

T1 __	Veneer Tier 1	+0
T2 __	Veneer Tier 2	+862
T3 __	Veneer Tier 3	+2,606
GC01	Clear Glass, back painted, white	+1,343
GC __	Clear Glass, back painted, color	+2,836
GE01	Etched matte Glass, back painted, white	+2,060
GE __	Etched matte Glass, back painted, color	+3,633
CS01	Corian Glacier White	+4,275
QS __	Caesarstone	+10,823

Step 4. Power & Connectivity Access: Optional

TMHW	Tabletop, Metal lid, Hardwired, Qty 2	+5,256
TMPI	Tabletop, Metal lid, Plug In, Qty 2	+4,766
UMHW	Undermount, Hardwired, Qty 4	+3,560
UMPI	Undermount, Plug In, Qty 4	+2,576

Step 5. Microphone and/or Grommet Accommodations: Optional

MA __	Microphone hole (factory cut)	Qty __ x 321 each
GM __	2" Grommet Hole (factory cut), liner, lid, in matching metal finish	Qty __ x 423 each

Wire Management Column (sold separately)

Required with any technology selection

Pattern Number: 02WMC6X6	508
Pattern Number: 02WMC10X10	1,065
Pattern Number: 02WMC15X18	1,386

Step 1. Metal Finish for

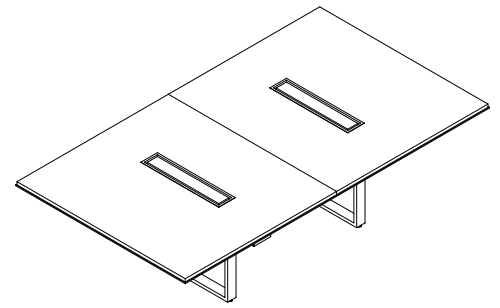
Wire Management Column	6x6	10x10	15x18
MC __ Powder Coat	+0	+0	+0
PM01 Polished Chrome	+749	+428	+684
PM02 Satin Nickel	+749	+428	+684
PM03 Oil Rubbed Bronze	+749	+428	+684

Please consult [page 7](#) for the palette of DatesWeiser finishes. Natural stone, non-standard glass and veneer, and other technology options are available. Please email customerservice@datesweiser.com for a custom quote. Consult technical information on [page 274](#) for construction details and technical information.

Highline Rectangular Conference Table

60"x108"/ 10 Person

02R60X108



Starting Price: **\$12,673**

60x108 table, veneer Tier 1 top with metal edge, open base, powder coat metal finish

Pattern Number: 02R60X108

Step 1. Top Material

V	Veneer
G	Glass
C	Corian
Q	Caesarstone

Step 2. Metal Finish

MC __	Powder Coat	+0
PM01	Polished Chrome	+294
PM02	Satin Nickel	+294
PM03	Oil Rubbed Bronze	+294

Step 3. Top Finish

T1 __	Veneer Tier 1	+0
T2 __	Veneer Tier 2	+979
T3 __	Veneer Tier 3	+2,905
GC01	Clear Glass, back painted, white	+2,306
GC __	Clear Glass, back painted, color	+3,970
GE01	Etched matte Glass, back painted, white	+3,100
GE __	Etched matte Glass, back painted, color	+4,853
CS01	Corian Glacier White	+5,607
QS __	Caesarstone	+12,919

Step 4. Power & Connectivity Access: Optional

TMHW	Tabletop, Metal lid, Hardwired, Qty 2	+5,256
TMPI	Tabletop, Metal lid, Plug In, Qty 2	+4,766
UMHW	Undermount, Hardwired, Qty 4	+3,560
UMPI	Undermount, Plug In, Qty 4	+2,576

Step 5. Microphone and/or Grommet Accommodations: Optional

MA __	Microphone hole (factory cut)	Qty __ x 321 each
GM __	2" Grommet Hole (factory cut), liner, lid, in matching metal finish	Qty __ x 423 each

Wire Management Column (sold separately)

Required with any technology selection

Pattern Number: 02WMC6X6	508
Pattern Number: 02WMC10X10	1,065
Pattern Number: 02WMC15X18	1,386

Step 1. Metal Finish for

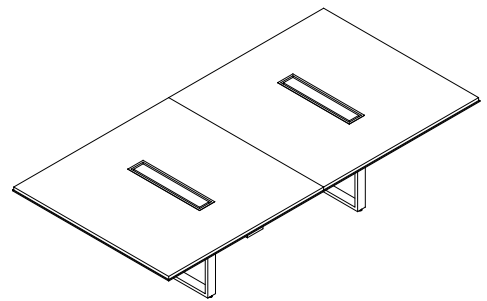
Wire Management Column	6x6	10x10	15x18
MC __ Powder Coat	+0	+0	+0
PM01 Polished Chrome	+749	+428	+684
PM02 Satin Nickel	+749	+428	+684
PM03 Oil Rubbed Bronze	+749	+428	+684

Please consult [page 7](#) for the palette of DatesWeiser finishes. Natural stone, non-standard glass and veneer, and other technology options are available. Please email customerservice@datesweiser.com for a custom quote. Consult technical information on [page 274](#) for construction details and technical information.

Highline Rectangular Conference Table

60"x120"/ 12 Person

02R60X120



Starting Price: **\$13,690**

60x120 table, veneer Tier 1 top with metal edge, open base, powder coat metal finish

Pattern Number: 02R60X120

Step 1. Top Material

V	Veneer	
G	Glass	
C	Corian	
Q	Caesarstone	

Step 2. Metal Finish

MC __	Powder Coat	+0
PM01	Polished Chrome	+294
PM02	Satin Nickel	+294
PM03	Oil Rubbed Bronze	+294

Step 3. Top Finish

T1 __	Veneer Tier 1	+0
T2 __	Veneer Tier 2	+1,080
T3 __	Veneer Tier 3	+3,247
GC01	Clear Glass, back painted, white	+2,930
GC __	Clear Glass, back painted, color	+4,777
GE01	Etched matte Glass, back painted, white	+3,816
GE __	Etched matte Glass, back painted, color	+5,762
CS01	Corian Glacier White	+6,580
QS __	Caesarstone	+14,687

Step 4. Power & Connectivity Access: Optional

TMHW	Tabletop, Metal lid, Hardwired, Qty 2	+5,256
TMPI	Tabletop, Metal lid, Plug In, Qty 2	+4,766
UMHW	Undermount, Hardwired, Qty 4	+5,340
UMPI	Undermount, Plug In, Qty 4	+3,864

Step 5. Microphone and/or Grommet Accommodations: Optional

MA __	Microphone hole (factory cut)	Qty __ x 321 each
GM __	2" Grommet Hole (factory cut), liner, lid, in matching metal finish	Qty __ x 423 each

Wire Management Column (sold separately)

Required with any technology selection

Pattern Number: 02WMC6X6	508
Pattern Number: 02WMC10X10	1,065
Pattern Number: 02WMC15X18	1,386

Step 1. Metal Finish for

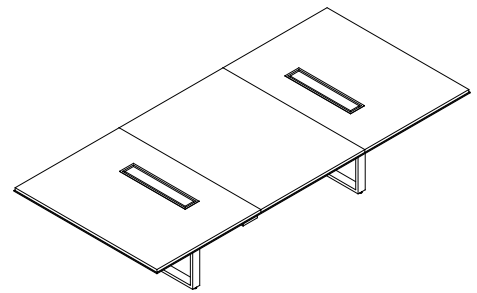
Wire Management Column	6x6	10x10	15x18
MC __ Powder Coat	+0	+0	+0
PM01 Polished Chrome	+749	+428	+684
PM02 Satin Nickel	+749	+428	+684
PM03 Oil Rubbed Bronze	+749	+428	+684

Please consult [page 7](#) for the palette of DatesWeiser finishes. Natural stone, non-standard glass and veneer, and other technology options are available. Please email customerservice@datesweiser.com for a custom quote. Consult technical information on [page 274](#) for construction details and technical information.

Highline Rectangular Conference Table

60"x132"/ 12 Person

02R60X132



Starting Price: **\$16,641**

60x132 table, veneer Tier 1 top with metal edge, open base, powder coat metal finish

Pattern Number: 02R60X132

Step 1. Top Material

V	Veneer	
G	Glass	
C	Corian	
Q	Caesarstone	

Step 2. Metal Finish

MC __	Powder Coat	+0
PM01	Polished Chrome	+444
PM02	Satin Nickel	+444
PM03	Oil Rubbed Bronze	+444

Step 3. Top Finish

T1 __	Veneer Tier 1	+0
T2 __	Veneer Tier 2	+1,203
T3 __	Veneer Tier 3	+3,584
GC01	Clear Glass, back painted, white	+3,796
GC __	Clear Glass, back painted, color	+6,067
GE01	Etched matte Glass, back painted, white	+4,807
GE __	Etched matte Glass, back painted, color	+7,190
CS01	Corian Glacier White	+8,083
QS __	Caesarstone	+17,974

Step 4. Power & Connectivity Access: Optional

TMHW	Tabletop, Metal lid, Hardwired, Qty 2	+5,256
TMPI	Tabletop, Metal lid, Plug In, Qty 2	+4,766
UMHW	Undermount, Hardwired, Qty 6	+5,340
UMPI	Undermount, Plug In, Qty 6	+3,864

Step 5. Microphone and/or Grommet Accommodations: Optional

MA __	Microphone hole (factory cut)	Qty __ x 321 each
GM __	2" Grommet Hole (factory cut), liner, lid, in matching metal finish	Qty __ x 423 each

Wire Management Column (sold separately)

Required with any technology selection

Pattern Number: 02WMC6X6	508
Pattern Number: 02WMC10X10	1,065
Pattern Number: 02WMC15X18	1,386

Step 1. Metal Finish for

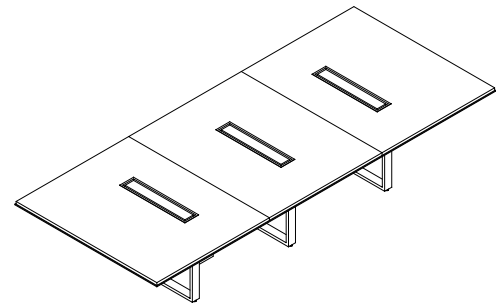
Wire Management Column	6x6	10x10	15x18
MC __ Powder Coat	+0	+0	+0
PM01 Polished Chrome	+749	+428	+684
PM02 Satin Nickel	+749	+428	+684
PM03 Oil Rubbed Bronze	+749	+428	+684

Please consult [page 7](#) for the palette of DatesWeiser finishes. Natural stone, non-standard glass and veneer, and other technology options are available. Please email customerservice@datesweiser.com for a custom quote. Consult technical information on [page 274](#) for construction details and technical information.

Highline Rectangular Conference Table

60"x144"/ 12 Person

02R60X144



Starting Price: **\$17,484**

60x144 table, veneer Tier 1 top with metal edge, open base, powder coat metal finish

Pattern Number: 02R60X144

Step 1. Top Material

V	Veneer	
G	Glass	
C	Corian	
Q	Caesarstone	

Step 2. Metal Finish

MC __	Powder Coat	+0
PM01	Polished Chrome	+444
PM02	Satin Nickel	+444
PM03	Oil Rubbed Bronze	+444

Step 3. Top Finish

T1 __	Veneer Tier 1	+0
T2 __	Veneer Tier 2	+1,289
T3 __	Veneer Tier 3	+3,905
GC01	Clear Glass, back painted, white	+4,106
GC __	Clear Glass, back painted, color	+6,505
GE01	Etched matte Glass, back painted, white	+5,214
GE __	Etched matte Glass, back painted, color	+7,736
CS01	Corian Glacier White	+8,694
QS __	Caesarstone	+19,164

Step 4. Power & Connectivity Access: Optional

TMHW	Tabletop, Metal lid, Hardwired, Qty 3	+7,884
TMPI	Tabletop, Metal lid, Plug In, Qty 3	+7,149
UMHW	Undermount, Hardwired, Qty 6	+5,340
UMPI	Undermount, Plug In, Qty 6	+3,864

Step 5. Microphone and/or Grommet Accommodations: Optional

MA __	Microphone hole (factory cut)	Qty __ x 321 each
GM __	2" Grommet Hole (factory cut), liner, lid, in matching metal finish	Qty __ x 423 each

Wire Management Column (sold separately)

Required with any technology selection

Pattern Number: 02WMC6X6	508
Pattern Number: 02WMC10X10	1,065
Pattern Number: 02WMC15X18	1,386

Step 1. Metal Finish for

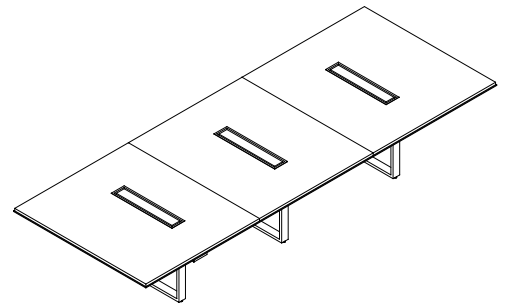
Wire Management Column	6x6	10x10	15x18
MC __ Powder Coat	+0	+0	+0
PM01 Polished Chrome	+749	+428	+684
PM02 Satin Nickel	+749	+428	+684
PM03 Oil Rubbed Bronze	+749	+428	+684

Please consult [page 7](#) for the palette of DatesWeiser finishes. Natural stone, non-standard glass and veneer, and other technology options are available. Please email customerservice@datesweiser.com for a custom quote. Consult technical information on [page 274](#) for construction details and technical information.

Highline Rectangular Conference Table

60"x156"/ 12 Person

02R60X156



Starting Price: **\$18,066**

60x156 table, veneer Tier 1 top with metal edge, open base, powder coat metal finish

Pattern Number: 02R60X156

Step 1. Top Material

V	Veneer
G	Glass
C	Corian
Q	Caesarstone

Step 2. Metal Finish

MC __	Powder Coat	+0
PM01	Polished Chrome	+444
PM02	Satin Nickel	+444
PM03	Oil Rubbed Bronze	+444

Step 3. Top Finish

T1 __	Veneer Tier 1	+0
T2 __	Veneer Tier 2	+1,386
T3 __	Veneer Tier 3	+4,205
GC01	Clear Glass, back painted, white	+4,386
GC __	Clear Glass, back painted, color	+6,880
GE01	Etched matte Glass, back painted, white	+5,546
GE __	Etched matte Glass, back painted, color	+8,169
CS01	Corian Glacier White	+9,223
QS __	Caesarstone	+20,139

Step 4. Power & Connectivity Access: Optional

TMHW	Tabletop, Metal lid, Hardwired, Qty 3	+7,884
TMPI	Tabletop, Metal lid, Plug In, Qty 3	+7,149
UMHW	Undermount, Hardwired, Qty 6	+5,340
UMPI	Undermount, Plug In, Qty 6	+3,864

Step 5. Microphone and/or Grommet Accommodations: Optional

MA __	Microphone hole (factory cut)	Qty __ x 321 each
GM __	2" Grommet Hole (factory cut), liner, lid, in matching metal finish	Qty __ x 423 each

Wire Management Column (sold separately)

Required with any technology selection

Pattern Number: 02WMC6X6	508
Pattern Number: 02WMC10X10	1,065
Pattern Number: 02WMC15X18	1,386

Step 1. Metal Finish for

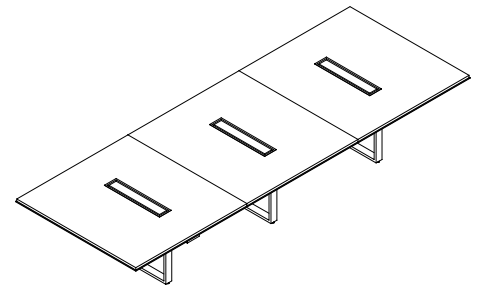
Wire Management Column	6x6	10x10	15x18	
MC __	Powder Coat	+0	+0	+0
PM01	Polished Chrome	+749	+428	+684
PM02	Satin Nickel	+749	+428	+684
PM03	Oil Rubbed Bronze	+749	+428	+684

Please consult [page 7](#) for the palette of DatesWeiser finishes. Natural stone, non-standard glass and veneer, and other technology options are available. Please email customerservice@datesweiser.com for a custom quote. Consult technical information on [page 274](#) for construction details and technical information.

Highline Rectangular Conference Table

60"x168"/ 14 Person

02R60X168



Starting Price: **\$19,135**

60x168 table, veneer Tier 1 top with metal edge, open base, powder coat metal finish

Pattern Number: 02R60X168

Step 1. Top Material

V	Veneer
G	Glass
C	Corian
Q	Caesarstone

Step 2. Metal Finish

MC __	Powder Coat	+0
PM01	Polished Chrome	+444
PM02	Satin Nickel	+444
PM03	Oil Rubbed Bronze	+444

Step 3. Top Finish

T1 __	Veneer Tier 1	+0
T2 __	Veneer Tier 2	+1,541
T3 __	Veneer Tier 3	+4,549
GC01	Clear Glass, back painted, white	+4,674
GC __	Clear Glass, back painted, color	+7,319
GE01	Etched matte Glass, back painted, white	+5,974
GE __	Etched matte Glass, back painted, color	+8,763
CS01	Corian Glacier White	+9,908
QS __	Caesarstone	+21,525

Step 4. Power & Connectivity Access: Optional

TMHW	Tabletop, Metal lid, Hardwired, Qty 3	+7,884
TMPI	Tabletop, Metal lid, Plug In, Qty 3	+7,149
UMHW	Undermount, Hardwired, Qty 6	+5,340
UMPI	Undermount, Plug In, Qty 6	+3,864

Step 5. Microphone and/or Grommet Accommodations: Optional

MA __	Microphone hole (factory cut)	Qty __ x 321 each
GM __	2" Grommet Hole (factory cut), liner, lid, in matching metal finish	Qty __ x 423 each

Wire Management Column (sold separately)

Required with any technology selection

Pattern Number: 02WMC6X6	508
Pattern Number: 02WMC10X10	1,065
Pattern Number: 02WMC15X18	1,386

Step 1. Metal Finish for

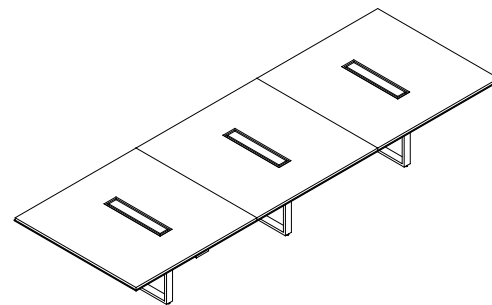
Wire Management Column	6x6	10x10	15x18
MC __ Powder Coat	+0	+0	+0
PM01 Polished Chrome	+749	+428	+684
PM02 Satin Nickel	+749	+428	+684
PM03 Oil Rubbed Bronze	+749	+428	+684

Please consult [page 7](#) for the palette of DatesWeiser finishes. Natural stone, non-standard glass and veneer, and other technology options are available. Please email customerservice@datesweiser.com for a custom quote. Consult technical information on [page 274](#) for construction details and technical information.

Highline Rectangular Conference Table

60"x180"/ 16 Person

02R60X180



Starting Price: **\$19,742**

60x180 table, veneer Tier 1 top with metal edge, open base, powder coat metal finish

Pattern Number: 02R60X180

Step 1. Top Material

V	Veneer
G	Glass
C	Corian
Q	Caesarstone

Step 2. Metal Finish

MC __	Powder Coat	+0
PM01	Polished Chrome	+444
PM02	Satin Nickel	+444
PM03	Oil Rubbed Bronze	+444

Step 3. Top Finish

T1 __	Veneer Tier 1	+0
T2 __	Veneer Tier 2	+1,594
T3 __	Veneer Tier 3	+4,868
GC01	Clear Glass, back painted, white	+4,920
GC __	Clear Glass, back painted, color	+7,661
GE01	Etched matte Glass, back painted, white	+6,298
GE __	Etched matte Glass, back painted, color	+9,191
CS01	Corian Glacier White	+10,432
QS __	Caesarstone*	+22,502

Step 4. Power & Connectivity Access: Optional

TMHW	Tabletop, Metal lid, Hardwired, Qty 3	+7,884
TMPI	Tabletop, Metal lid, Plug In, Qty 3	+7,149
UMHW	Undermount, Hardwired, Qty 8	+7,120
UMPI	Undermount, Plug In, Qty 8	+5,152

Step 5. Microphone and/or Grommet Accommodations: Optional

MA __	Microphone hole (factory cut)	Qty __ x 321 each
GM __	2" Grommet Hole (factory cut), liner, lid, in matching metal finish	Qty __ x 423 each

Wire Management Column (sold separately)

Required with any technology selection

Pattern Number: 02WMC6X6	508
Pattern Number: 02WMC10X10	1,065
Pattern Number: 02WMC15X18	1,386

Step 1. Metal Finish for

Wire Management Column	6x6	10x10	15x18
MC __ Powder Coat	+0	+0	+0
PM01 Polished Chrome	+749	+428	+684
PM02 Satin Nickel	+749	+428	+684
PM03 Oil Rubbed Bronze	+749	+428	+684

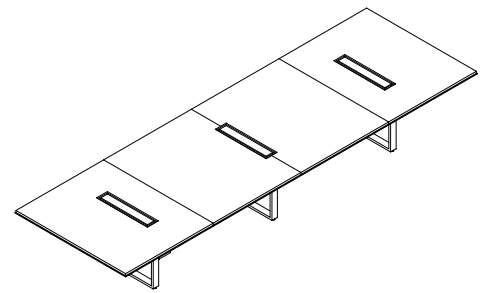
Please consult [page 7](#) for the palette of DatesWeiser finishes. Natural stone, non-standard glass and veneer, and other technology options are available. Please email customerservice@datesweiser.com for a custom quote. Consult technical information on [page 274](#) for construction details and technical information.

*Tables with a Caesarstone finish require a 4-section top.

Highline Rectangular Conference Table

60"x192"/ 16 Person

02R60X192



Starting Price: **\$21,615**

60x192 table, veneer Tier 1 top with metal edge, open base, powder coat metal finish

Pattern Number: 02R60X192

Step 1. Top Material

V	Veneer
G	Glass
C	Corian
Q	Caesarstone

Step 2. Metal Finish

MC __	Powder Coat	+0
PM01	Polished Chrome	+589
PM02	Satin Nickel	+589
PM03	Oil Rubbed Bronze	+589

Step 3. Top Finish

T1 __	Veneer Tier 1	+0
T2 __	Veneer Tier 2	+1,739
T3 __	Veneer Tier 3	+5,211
GC01	Clear Glass, back painted, white	+5,730
GC __	Clear Glass, back painted, color	+8,769
GE01	Etched matte Glass, back painted, white	+7,159
GE __	Etched matte Glass, back painted, color	+10,358
CS01	Corian Glacier White	+11,652
QS __	Caesarstone	+24,959

Step 4. Power & Connectivity Access: Optional

TMHW	Tabletop, Metal lid, Hardwired, Qty 3	+7,884
TMPI	Tabletop, Metal lid, Plug In, Qty 3	+7,149
UMHW	Undermount, Hardwired, Qty 8	+7,120
UMPI	Undermount, Plug In, Qty 8	+5,152

Step 5. Microphone and/or Grommet Accommodations: Optional

MA __	Microphone hole (factory cut)	Qty __ x 321 each
GM __	2" Grommet Hole (factory cut), liner, lid, in matching metal finish	Qty __ x 423 each

Wire Management Column (sold separately)

Required with any technology selection

Pattern Number: 02WMC6X6	508
Pattern Number: 02WMC10X10	1,065
Pattern Number: 02WMC15X18	1,386

Step 1. Metal Finish for

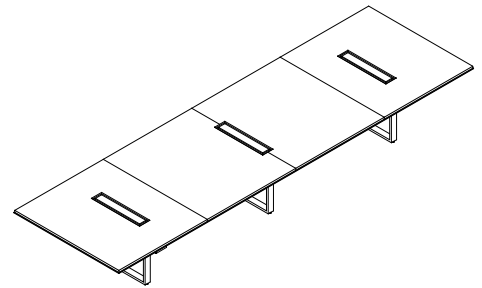
Wire Management Column	6x6	10x10	15x18
MC __ Powder Coat	+0	+0	+0
PM01 Polished Chrome	+749	+428	+684
PM02 Satin Nickel	+749	+428	+684
PM03 Oil Rubbed Bronze	+749	+428	+684

Please consult [page 7](#) for the palette of DatesWeiser finishes. Natural stone, non-standard glass and veneer, and other technology options are available. Please email customerservice@datesweiser.com for a custom quote. Consult technical information on [page 274](#) for construction details and technical information.

Highline Rectangular Conference Table

60"x204"/ 16 Person

02R60X204



Starting Price: **\$22,212**

60x204 table, veneer Tier 1 top with metal edge, open base, powder coat metal finish

Pattern Number: 02R60X204

Step 1. Top Material

V	Veneer	
G	Glass	
C	Corian	
Q	Caesarstone	

Step 2. Metal Finish

MC __	Powder Coat	+0
PM01	Polished Chrome	+589
PM02	Satin Nickel	+589
PM03	Oil Rubbed Bronze	+589

Step 3. Top Finish

T1 __	Veneer Tier 1	+0
T2 __	Veneer Tier 2	+1,857
T3 __	Veneer Tier 3	+5,537
GC01	Clear Glass, back painted, white	+5,993
GC __	Clear Glass, back painted, color	+9,127
GE01	Etched matte Glass, back painted, white	+7,515
GE __	Etched matte Glass, back painted, color	+10,818
CS01	Corian Glacier White	+12,209
QS __	Caesarstone	+25,977

Step 4. Power & Connectivity Access: Optional

TMHW	Tabletop, Metal lid, Hardwired, Qty 3	+7,884
TMPI	Tabletop, Metal lid, Plug In, Qty 3	+7,149
UMHW	Undermount, Hardwired, Qty 8	+7,120
UMPI	Undermount, Plug In, Qty 8	+5,152

Step 5. Microphone and/or Grommet Accommodations: Optional

MA __	Microphone hole (factory cut)	Qty __ x 321 each
GM __	2" Grommet Hole (factory cut), liner, lid, in matching metal finish	Qty __ x 423 each

Wire Management Column (sold separately)

Required with any technology selection

Pattern Number: 02WMC6X6	508
Pattern Number: 02WMC10X10	1,065
Pattern Number: 02WMC15X18	1,386

Step 1. Metal Finish for

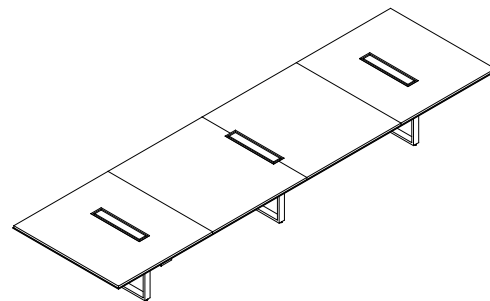
Wire Management Column	6x6	10x10	15x18
MC __ Powder Coat	+0	+0	+0
PM01 Polished Chrome	+749	+428	+684
PM02 Satin Nickel	+749	+428	+684
PM03 Oil Rubbed Bronze	+749	+428	+684

Please consult [page 7](#) for the palette of DatesWeiser finishes. Natural stone, non-standard glass and veneer, and other technology options are available. Please email customerservice@datesweiser.com for a custom quote. Consult technical information on [page 274](#) for construction details and technical information.

Highline Rectangular Conference Table

60"x216"/ 18 Person

02R60X216



Starting Price: **\$22,775**

60x216 table, veneer Tier 1 top with metal edge, open base, powder coat metal finish

Pattern Number: 02R60X216

Step 1. Top Material

V	Veneer
G	Glass
C	Corian
Q	Caesarstone

Step 2. Metal Finish

MC __	Powder Coat	+0
PM01	Polished Chrome	+589
PM02	Satin Nickel	+589
PM03	Oil Rubbed Bronze	+589

Step 3. Top Finish

T1 __	Veneer Tier 1	+0
T2 __	Veneer Tier 2	+1,969
T3 __	Veneer Tier 3	+5,853
GC01	Clear Glass, back painted, white	+6,274
GC __	Clear Glass, back painted, color	+9,502
GE01	Etched matte Glass, back painted, white	+7,897
GE __	Etched matte Glass, back painted, color	+11,305
CS01	Corian Glacier White	+12,792
QS __	Caesarstone	+27,019

Step 4. Power & Connectivity Access: Optional

TMHW	Tabletop, Metal lid, Hardwired, Qty 3	+7,884
TMPI	Tabletop, Metal lid, Plug In, Qty 3	+7,149
UMHW	Undermount, Hardwired, Qty 8	+7,120
UMPI	Undermount, Plug In, Qty 8	+5,152

Step 5. Microphone and/or Grommet Accommodations: Optional

MA __	Microphone hole (factory cut)	Qty __ x 321 each
GM __	2" Grommet Hole (factory cut) liner, lid, in matching metal finish	Qty __ x 423 each

Wire Management Column (sold separately)

Required with any technology selection

Pattern Number: 02WMC6X6	508
Pattern Number: 02WMC10X10	1,065
Pattern Number: 02WMC15X18	1,386

Step 1. Metal Finish for

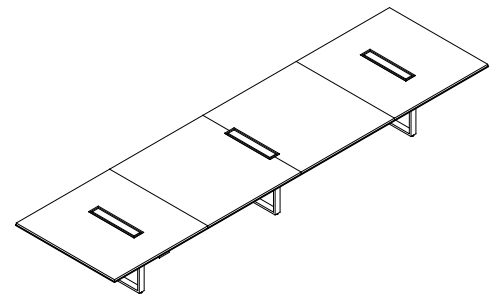
Wire Management Column	6x6	10x10	15x18
MC __ Powder Coat	+0	+0	+0
PM01 Polished Chrome	+749	+428	+684
PM02 Satin Nickel	+749	+428	+684
PM03 Oil Rubbed Bronze	+749	+428	+684

Please consult [page 7](#) for the palette of DatesWeiser finishes. Natural stone, non-standard glass and veneer, and other technology options are available. Please email customerservice@datesweiser.com for a custom quote. Consult technical information on [page 274](#) for construction details and technical information.

Highline Rectangular Conference Table

60"x228"/ 18 Person

02R60X228



Starting Price: **\$23,401**

60x228 table, veneer Tier 1 top with metal edge, open base, powder coat metal finish

Pattern Number: 02R60X228

Step 1. Top Material

V	Veneer
G	Glass
C	Corian
Q	Caesarstone

Step 2. Metal Finish

MC __	Powder Coat	+0
PM01	Polished Chrome	+589
PM02	Satin Nickel	+589
PM03	Oil Rubbed Bronze	+589

Step 3. Top Finish

T1 __	Veneer Tier 1	+0
T2 __	Veneer Tier 2	+2,033
T3 __	Veneer Tier 3	+6,179
GC01	Clear Glass, back painted, white	+6,477
GC __	Clear Glass, back painted, color	+9,796
GE01	Etched matte Glass, back painted, white	+8,195
GE __	Etched matte Glass, back painted, color	+11,706
CS01	Corian Glacier White	+13,247
QS __	Caesarstone*	+27,906

Step 4. Power & Connectivity Access: Optional

TMHW	Tabletop, Metal lid, Hardwired, Qty 3	+7,884
TMPI	Tabletop, Metal lid, Plug In, Qty 3	+7,149
UMHW	Undermount, Hardwired, Qty 8	+7,120
UMPI	Undermount, Plug In, Qty 8	+5,152

Step 5. Microphone and/or Grommet Accommodations: Optional

MA __	Microphone hole (factory cut)	Qty __ x 321 each
GM __	2" Grommet Hole (factory cut), liner, lid, in matching metal finish	Qty __ x 423 each

Wire Management Column (sold separately)

Required with any technology selection

Pattern Number: 02WMC6X6	508
Pattern Number: 02WMC10X10	1,065
Pattern Number: 02WMC15X18	1,386

Step 1. Metal Finish for

Wire Management Column	6x6	10x10	15x18
MC __ Powder Coat	+0	+0	+0
PM01 Polished Chrome	+749	+428	+684
PM02 Satin Nickel	+749	+428	+684
PM03 Oil Rubbed Bronze	+749	+428	+684

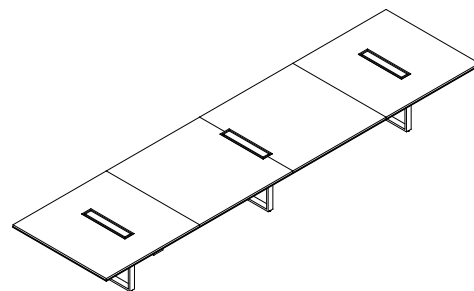
Please consult [page 7](#) for the palette of DatesWeiser finishes. Natural stone, non-standard glass and veneer, and other technology options are available. Please email customerservice@datesweiser.com for a custom quote. Consult technical information on [page 274](#) for construction details and technical information.

*Tables with a Caesarstone finish require a 5-section top.

Highline Rectangular Conference Table

60"x240"/ 20 Person

02R60X240



Starting Price: **\$23,988**

60x240 table, veneer Tier 1 top with metal edge, open base, powder coat metal finish

Pattern Number: 02R60X240

Step 1. Top Material

V	Veneer	
G	Glass	
C	Corian	
Q	Caesarstone	

Step 2. Metal Finish

MC __	Powder Coat	+0
PM01	Polished Chrome	+589
PM02	Satin Nickel	+589
PM03	Oil Rubbed Bronze	+589

Step 3. Top Finish

T1 __	Veneer Tier 1	+0
T2 __	Veneer Tier 2	+2,146
T3 __	Veneer Tier 3	+6,495
GC01	Clear Glass, back painted, white	+6,721
GC __	Clear Glass, back painted, color	+10,133
GE01	Etched matte Glass, back painted, white	+8,604
GE __	Etched matte Glass, back painted, color	+12,225
CS01	Corian Glacier White	+13,830
QS __	Caesarstone*	+28,958

Step 4. Power & Connectivity Access: Optional

TMHW	Tabletop, Metal lid, Hardwired, Qty 3	+7,884
TMPI	Tabletop, Metal lid, Plug In, Qty 3	+7,149
UMHW	Undermount, Hardwired, Qty 10	+8,900
UMPI	Undermount, Plug In, Qty 10	+6,440

Step 5. Microphone and/or Grommet Accommodations: Optional

MA __	Microphone hole (factory cut)	Qty __ x 321 each
GM __	2" Grommet Hole (factory cut), liner, lid, in matching metal finish	Qty __ x 423 each

Wire Management Column (sold separately)

Required with any technology selection

Pattern Number: 02WMC6X6	508
Pattern Number: 02WMC10X10	1,065
Pattern Number: 02WMC15X18	1,386

Step 1. Metal Finish for

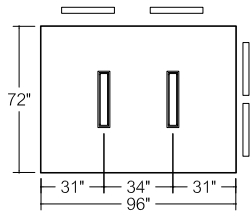
Wire Management Column	6x6	10x10	15x18	
MC __	Powder Coat	+0	+0	+0
PM01	Polished Chrome	+749	+428	+684
PM02	Satin Nickel	+749	+428	+684
PM03	Oil Rubbed Bronze	+749	+428	+684

Please consult [page 7](#) for the palette of DatesWeiser finishes. Natural stone, non-standard glass and veneer, and other technology options are available. Please email customerservice@datesweiser.com for a custom quote. Consult technical information on [page 274](#) for construction details and technical information.

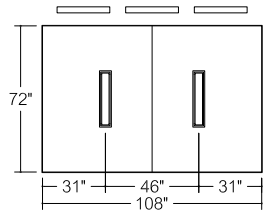
*Tables with a Caesarstone finish require a 5-section top.

Highline Rectangular Conference Tables Index

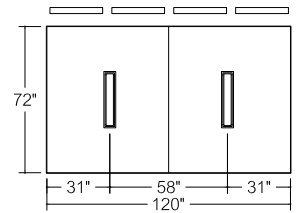
72" width



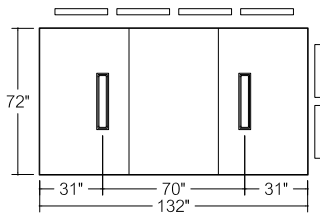
02R72X96
8 Person Table



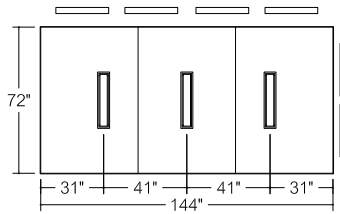
02R72X108
10 Person Table



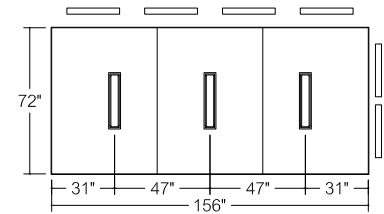
02R72X120
12 Person Table



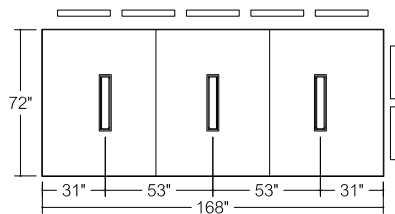
02R72X132
12 Person Table



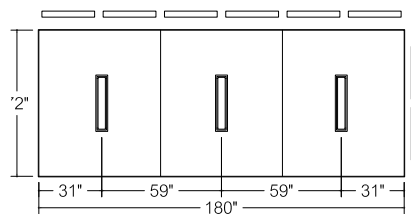
02R72X144
12 Person Table



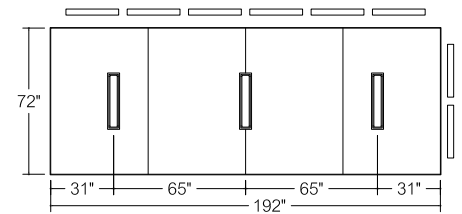
02R72X156
12 Person Table



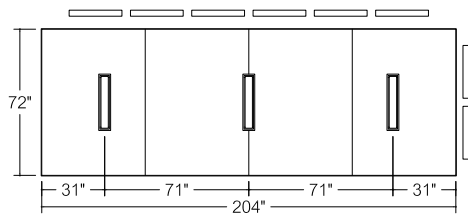
02R72X168
14 Person Table



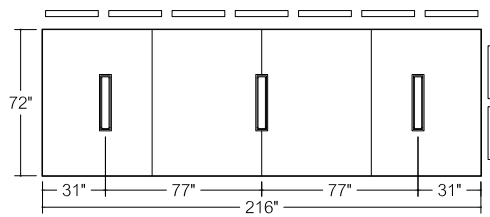
02R72X180
16 Person Table



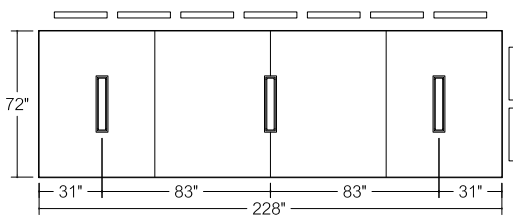
02R72X192
16 Person Table



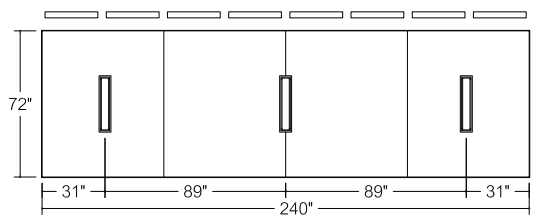
02R72X204
16 Person Table



02R72X216
18 Person Table



02R72X228
18 Person Table

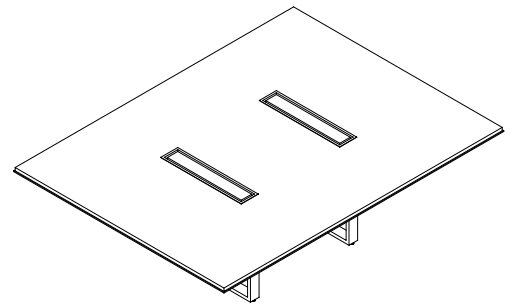


02R72X240
20 Person Table

Highline Rectangular Conference Table

72"x96"/ 8 Person

02R72X96



Starting Price: **\$13,155**

72x96 table, veneer Tier 1 top with metal edge, open base, powder coat metal finish

Pattern Number: 02R72X96

Step 1. Top Material

V	Veneer
G	Glass
C	Corian
Q	Caesarstone

Step 2. Metal Finish

MC __	Powder Coat	+0
PM01	Polished Chrome	+294
PM02	Satin Nickel	+294
PM03	Oil Rubbed Bronze	+294

Step 3. Top Finish

T1 __	Veneer Tier 1	+0
T2 __	Veneer Tier 2	+1,027
T3 __	Veneer Tier 3	+3,097
GC01	Clear Glass, back painted, white	+1,780
GC __	Clear Glass, back painted, color	+3,440
GE01	Etched matte Glass, back painted, white	+2,656
GE __	Etched matte Glass, back painted, color	+4,413
CS01	Corian Glacier White	+5,173
QS __	Caesarstone	+12,505

Step 4. Power & Connectivity Access: Optional

TMHW	Tabletop, Metal lid, Hardwired, Qty 2	+5,256
TMPI	Tabletop, Metal lid, Plug In, Qty 2	+4,766
UMHW	Undermount, Hardwired, Qty 4	+3,560
UMPI	Undermount, Plug In, Qty 4	+2,576

Step 5. Microphone and/or Grommet Accommodations: Optional

MA __	Microphone hole (factory cut)	Qty __ x 321 each
GM __	2" Grommet Hole (factory cut), liner, lid, in matching metal finish	Qty __ x 423 each

Wire Management Column (sold separately)

Required with any technology selection

Pattern Number: 02WMC6X6	508
Pattern Number: 02WMC10X10	1,065
Pattern Number: 02WMC15X18	1,386

Step 1. Metal Finish for

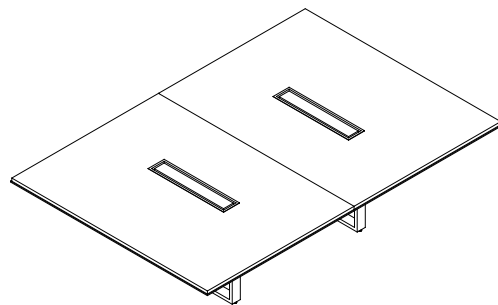
Wire Management Column	6x6	10x10	15x18	
MC __	Powder Coat	+0	+0	+0
PM01	Polished Chrome	+749	+428	+684
PM02	Satin Nickel	+749	+428	+684
PM03	Oil Rubbed Bronze	+749	+428	+684

Please consult [page 7](#) for the palette of DatesWeiser finishes. Natural stone, non-standard glass and veneer, and other technology options are available. Please email customerservice@datesweiser.com for a custom quote. Consult technical information on [page 274](#) for construction details and technical information.

Highline Rectangular Conference Table

72"x108"/ 10 Person

02R72X108



Starting Price: **\$13,844**

72x108 table, veneer Tier 1 top with metal edge, open base, powder coat metal finish

Pattern Number: 02R72X108

Step 1. Top Material

V	Veneer
G	Glass
C	Corian
Q	Caesarstone

Step 2. Metal Finish

MC __	Powder Coat	+0
PM01	Polished Chrome	+294
PM02	Satin Nickel	+294
PM03	Oil Rubbed Bronze	+294

Step 3. Top Finish

T1 __	Veneer Tier 1	+0
T2 __	Veneer Tier 2	+1,166
T3 __	Veneer Tier 3	+3,504
GC01	Clear Glass, back painted, white	+2,770
GC __	Clear Glass, back painted, color	+4,617
GE01	Etched matte Glass, back painted, white	+3,777
GE __	Etched matte Glass, back painted, color	+5,735
CS01	Corian Glacier White	+6,607
QS __	Caesarstone	+14,787

Step 4. Power & Connectivity Access: Optional

TMHW	Tabletop, Metal lid, Hardwired, Qty 2	+5,256
TMPI	Tabletop, Metal lid, Plug In, Qty 2	+4,766
UMHW	Undermount, Hardwired, Qty 4	+3,560
UMPI	Undermount, Plug In, Qty 4	+2,576

Step 5. Microphone and/or Grommet Accommodations: Optional

MA __	Microphone hole (factory cut)	Qty __ x 321 each
GM __	2" Grommet Hole (factory cut), liner, lid, in matching metal finish	Qty __ x 423 each

Wire Management Column (sold separately)

Required with any technology selection

Pattern Number: 02WMC6X6	508
Pattern Number: 02WMC10X10	1,065
Pattern Number: 02WMC15X18	1,386

Step 1. Metal Finish for

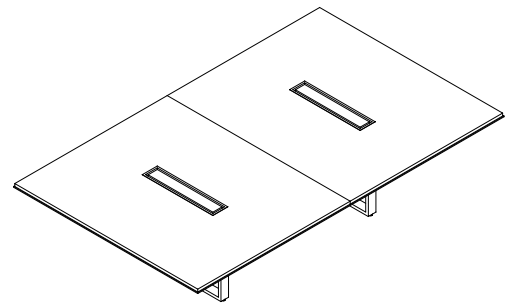
Wire Management Column	6x6	10x10	15x18	
MC __	Powder Coat	+0	+0	+0
PM01	Polished Chrome	+749	+428	+684
PM02	Satin Nickel	+749	+428	+684
PM03	Oil Rubbed Bronze	+749	+428	+684

Please consult [page 7](#) for the palette of DatesWeiser finishes. Natural stone, non-standard glass and veneer, and other technology options are available. Please email customerservice@datesweiser.com for a custom quote. Consult technical information on [page 274](#) for construction details and technical information.

Highline Rectangular Conference Table

72"x120"/ 12 Person

02R72X120



Starting Price: **\$14,946**

72x120 table, veneer Tier 1 top with metal edge, open base, powder coat metal finish

Pattern Number: 02R72X120

Step 1. Top Material

V	Veneer	
G	Glass	
C	Corian	
Q	Caesarstone	

Step 2. Metal Finish

MC __	Powder Coat	+0
PM01	Polished Chrome	+294
PM02	Satin Nickel	+294
PM03	Oil Rubbed Bronze	+294

Step 3. Top Finish

T1 __	Veneer Tier 1	+0
T2 __	Veneer Tier 2	+1,305
T3 __	Veneer Tier 3	+3,921
GC01	Clear Glass, back painted, white	+3,470
GC __	Clear Glass, back painted, color	+5,516
GE01	Etched matte Glass, back painted, white	+4,568
GE __	Etched matte Glass, back painted, color	+6,735
CS01	Corian Glacier White	+7,731
QS __	Caesarstone	+16,801

Step 4. Power & Connectivity Access: Optional

TMHW	Tabletop, Metal lid, Hardwired, Qty 2	+5,256
TMPI	Tabletop, Metal lid, Plug In, Qty 2	+4,766
UMHW	Undermount, Hardwired, Qty 6	+5,340
UMPI	Undermount, Plug In, Qty 6	+3,864

Step 5. Microphone and/or Grommet Accommodations: Optional

MA __	Microphone hole (factory cut)	Qty __ x 321 each
GM __	2" Grommet Hole (factory cut), liner, lid, in matching metal finish	Qty __ x 423 each

Wire Management Column (sold separately)

Required with any technology selection

Pattern Number: 02WMC6X6	508
Pattern Number: 02WMC10X10	1,065
Pattern Number: 02WMC15X18	1,386

Step 1. Metal Finish for

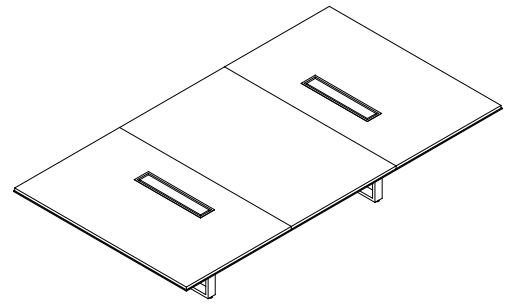
Wire Management Column	6x6	10x10	15x18
MC __ Powder Coat	+0	+0	+0
PM01 Polished Chrome	+749	+428	+684
PM02 Satin Nickel	+749	+428	+684
PM03 Oil Rubbed Bronze	+749	+428	+684

Please consult [page 7](#) for the palette of DatesWeiser finishes. Natural stone, non-standard glass and veneer, and other technology options are available. Please email customerservice@datesweiser.com for a custom quote. Consult technical information on [page 274](#) for construction details and technical information.

Highline Rectangular Conference Table

72"x132"/ 12 Person

02R72X132



Starting Price: **\$18,056**

72x132 table, veneer Tier 1 top with metal edge, open base, powder coat metal finish

Pattern Number: 02R72X132

Step 1. Top Material

V	Veneer
G	Glass
C	Corian
Q	Caesarstone

Step 2. Metal Finish

MC __	Powder Coat	+0
PM01	Polished Chrome	+444
PM02	Satin Nickel	+444
PM03	Oil Rubbed Bronze	+444

Step 3. Top Finish

T1 __	Veneer Tier 1	+0
T2 __	Veneer Tier 2	+1,429
T3 __	Veneer Tier 3	+4,596
GC01	Clear Glass, back painted, white	+4,382
GC __	Clear Glass, back painted, color	+6,875
GE01	Etched matte Glass, back painted, white	+5,610
GE __	Etched matte Glass, back painted, color	+8,239
CS01	Corian Glacier White	+9,293
QS __	Caesarstone	+20,233

Step 4. Power & Connectivity Access: Optional

TMHW	Tabletop, Metal lid, Hardwired, Qty 2	+5,256
TMPI	Tabletop, Metal lid, Plug In, Qty 2	+4,766
UMHW	Undermount, Hardwired, Qty 6	+5,340
UMPI	Undermount, Plug In, Qty 6	+3,864

Step 5. Microphone and/or Grommet Accommodations: Optional

MA __	Microphone hole (factory cut)	Qty __ x 321 each
GM __	2" Grommet Hole (factory cut), liner, lid, in matching metal finish	Qty __ x 423 each

Wire Management Column (sold separately)

Required with any technology selection

Pattern Number: 02WMC6X6	508
Pattern Number: 02WMC10X10	1,065
Pattern Number: 02WMC15X18	1,386

Step 1. Metal Finish for

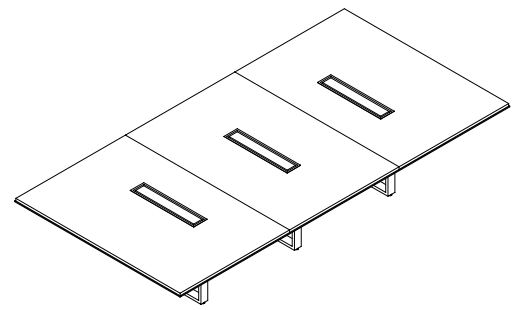
Wire Management Column	6x6	10x10	15x18
MC __ Powder Coat	+0	+0	+0
PM01 Polished Chrome	+749	+428	+684
PM02 Satin Nickel	+749	+428	+684
PM03 Oil Rubbed Bronze	+749	+428	+684

Please consult [page 7](#) for the palette of DatesWeiser finishes. Natural stone, non-standard glass and veneer, and other technology options are available. Please email customerservice@datesweiser.com for a custom quote. Consult technical information on [page 274](#) for construction details and technical information.

Highline Rectangular Conference Table

72"x144"/ 12 Person

02R72X144



Starting Price: **\$19,015**

72x144 table, veneer Tier 1 top with metal edge, open base, powder coat metal finish

Pattern Number: 02R72X144

Step 1. Top Material

V	Veneer	
G	Glass	
C	Corian	
Q	Caesarstone	

Step 2. Metal Finish

MC __	Powder Coat	+0
PM01	Polished Chrome	+444
PM02	Satin Nickel	+444
PM03	Oil Rubbed Bronze	+444

Step 3. Top Finish

T1 __	Veneer Tier 1	+0
T2 __	Veneer Tier 2	+1,535
T3 __	Veneer Tier 3	+4,671
GC01	Clear Glass, back painted, white	+4,738
GC __	Clear Glass, back painted, color	+7,378
GE01	Etched matte Glass, back painted, white	+6,062
GE __	Etched matte Glass, back painted, color	+8,849
CS01	Corian Glacier White	+10,010
QS __	Caesarstone	+21,619

Step 4. Power & Connectivity Access: Optional

TMHW	Tabletop, Metal lid, Hardwired, Qty 3	+7,884
TMPI	Tabletop, Metal lid, Plug In, Qty 3	+7,149
UMHW	Undermount, Hardwired, Qty 6	+5,340
UMPI	Undermount, Plug In, Qty 6	+3,864

Step 5. Microphone and/or Grommet Accommodations: Optional

MA __	Microphone hole (factory cut)	Qty __ x 321 each
GM __	2" Grommet Hole (factory cut), liner, lid, in matching metal finish	Qty __ x 423 each

Wire Management Column (sold separately)

Required with any technology selection

Pattern Number: 02WMC6X6	508
Pattern Number: 02WMC10X10	1,065
Pattern Number: 02WMC15X18	1,386

Step 1. Metal Finish for

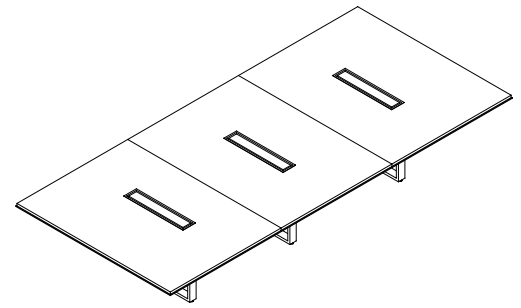
Wire Management Column	6x6	10x10	15x18
MC __ Powder Coat	+0	+0	+0
PM01 Polished Chrome	+749	+428	+684
PM02 Satin Nickel	+749	+428	+684
PM03 Oil Rubbed Bronze	+749	+428	+684

Please consult [page 7](#) for the palette of DatesWeiser finishes. Natural stone, non-standard glass and veneer, and other technology options are available. Please email customerservice@datesweiser.com for a custom quote. Consult technical information on [page 274](#) for construction details and technical information.

Highline Rectangular Conference Table

72"x156"/ 12 Person

02R72X156



Starting Price: **\$19,703**

72x156 table, veneer Tier 1 top with metal edge, open base, powder coat metal finish

Pattern Number: 02R72X156

Step 1. Top Material

V	Veneer
G	Glass
C	Corian
Q	Caesarstone

Step 2. Metal Finish

MC __	Powder Coat	+0
PM01	Polished Chrome	+444
PM02	Satin Nickel	+444
PM03	Oil Rubbed Bronze	+444

Step 3. Top Finish

T1 __	Veneer Tier 1	+0
T2 __	Veneer Tier 2	+1,664
T3 __	Veneer Tier 3	+5,040
GC01	Clear Glass, back painted, white	+5,060
GC __	Clear Glass, back painted, color	+7,811
GE01	Etched matte Glass, back painted, white	+6,499
GE __	Etched matte Glass, back painted, color	+9,411
CS01	Corian Glacier White	+10,652
QS __	Caesarstone	+22,794

Step 4. Power & Connectivity Access: Optional

TMHW	Tabletop, Metal lid, Hardwired, Qty 3	+7,884
TMPI	Tabletop, Metal lid, Plug In, Qty 3	+7,149
UMHW	Undermount, Hardwired, Qty 6	+5,340
UMPI	Undermount, Plug In, Qty 6	+3,864

Step 5. Microphone and/or Grommet Accommodations: Optional

MA __	Microphone hole (factory cut)	Qty __ x 321 each
GM __	2" Grommet Hole (factory cut), liner, lid, in matching metal finish	Qty __ x 423 each

Wire Management Column (sold separately)

Required with any technology selection

Pattern Number: 02WMC6X6	508
Pattern Number: 02WMC10X10	1,065
Pattern Number: 02WMC15X18	1,386

Step 1. Metal Finish for

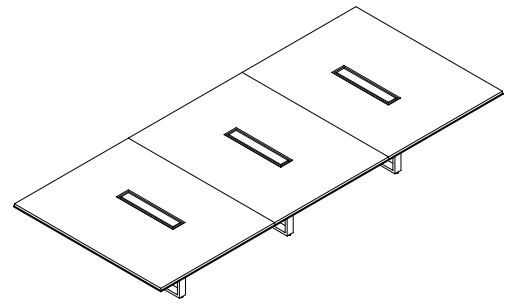
Wire Management Column	6x6	10x10	15x18
MC __ Powder Coat	+0	+0	+0
PM01 Polished Chrome	+749	+428	+684
PM02 Satin Nickel	+749	+428	+684
PM03 Oil Rubbed Bronze	+749	+428	+684

Please consult [page 7](#) for the palette of DatesWeiser finishes. Natural stone, non-standard glass and veneer, and other technology options are available. Please email customerservice@datesweiser.com for a custom quote. Consult technical information on [page 274](#) for construction details and technical information.

Highline Rectangular Conference Table

72"x168"/ 14 Person

02R72X168



Starting Price: **\$20,874**

72x168 table, veneer Tier 1 top with metal edge, open base, powder coat metal finish

Pattern Number: 02R72X168

Step 1. Top Material

V	Veneer
G	Glass
C	Corian
Q	Caesarstone

Step 2. Metal Finish

MC __	Powder Coat	+0
PM01	Polished Chrome	+444
PM02	Satin Nickel	+444
PM03	Oil Rubbed Bronze	+444

Step 3. Top Finish

T1 __	Veneer Tier 1	+0
T2 __	Veneer Tier 2	+1,813
T3 __	Veneer Tier 3	+5,478
GC01	Clear Glass, back painted, white	+5,462
GC __	Clear Glass, back painted, color	+8,388
GE01	Etched matte Glass, back painted, white	+7,012
GE __	Etched matte Glass, back painted, color	+10,111
CS01	Corian Glacier White	+10,881
QS __	Caesarstone	+23,583

Step 4. Power & Connectivity Access: Optional

TMHW	Tabletop, Metal lid, Hardwired, Qty 3	+7,884
TMPI	Tabletop, Metal lid, Plug In, Qty 3	+7,149
UMHW	Undermount, Hardwired, Qty 6	+5,340
UMPI	Undermount, Plug In, Qty 6	+3,864

Step 5. Microphone and/or Grommet Accommodations: Optional

MA __	Microphone hole (factory cut)	Qty __ x 321 each
GM __	2" Grommet Hole (factory cut), liner, lid, in matching metal finish	Qty __ x 423 each

Wire Management Column (sold separately)

Required with any technology selection

Pattern Number: 02WMC6X6	508
Pattern Number: 02WMC10X10	1,065
Pattern Number: 02WMC15X18	1,386

Step 1. Metal Finish for

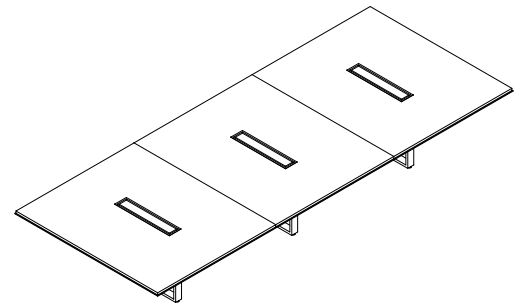
Wire Management Column	6x6	10x10	15x18
MC __ Powder Coat	+0	+0	+0
PM01 Polished Chrome	+749	+428	+684
PM02 Satin Nickel	+749	+428	+684
PM03 Oil Rubbed Bronze	+749	+428	+684

Please consult [page 7](#) for the palette of DatesWeiser finishes. Natural stone, non-standard glass and veneer, and other technology options are available. Please email customerservice@datesweiser.com for a custom quote. Consult technical information on [page 274](#) for construction details and technical information.

Highline Rectangular Conference Table

72"x180"/ 16 Person

02R72X180



Starting Price: **\$21,586**

72x180 table, veneer Tier 1 top with metal edge, open base, powder coat metal finish

Pattern Number: 02R72X180

Step 1. Top Material

V	Veneer
G	Glass
C	Corian
Q	Caesarstone

Step 2. Metal Finish

MC __	Powder Coat	+0
PM01	Polished Chrome	+444
PM02	Satin Nickel	+444
PM03	Oil Rubbed Bronze	+444

Step 3. Top Finish

T1 __	Veneer Tier 1	+0
T2 __	Veneer Tier 2	+1,969
T3 __	Veneer Tier 3	+5,837
GC01	Clear Glass, back painted, white	+5,747
GC __	Clear Glass, back painted, color	+8,785
GE01	Etched matte Glass, back painted, white	+7,390
GE __	Etched matte Glass, back painted, color	+10,609
CS01	Corian Glacier White	+12,102
QS __	Caesarstone*	+25,576

Step 4. Power & Connectivity Access: Optional

TMHW	Tabletop, Metal lid, Hardwired, Qty 3	+7,884
TMPI	Tabletop, Metal lid, Plug In, Qty 3	+7,149
UMHW	Undermount, Hardwired, Qty 8	+7,120
UMPI	Undermount, Plug In, Qty 8	+5,152

Step 5. Microphone and/or Grommet Accommodations: Optional

MA __	Microphone hole (factory cut)	Qty __ x 321 each
GM __	2" Grommet Hole (factory cut), liner, lid, in matching metal finish	Qty __ x 423 each

Wire Management Column (sold separately)

Required with any technology selection

Pattern Number: 02WMC6X6	508
Pattern Number: 02WMC10X10	1,065
Pattern Number: 02WMC15X18	1,386

Step 1. Metal Finish for

Wire Management Column	6x6	10x10	15x18	
MC __	Powder Coat	+0	+0	+0
PM01	Polished Chrome	+749	+428	+684
PM02	Satin Nickel	+749	+428	+684
PM03	Oil Rubbed Bronze	+749	+428	+684

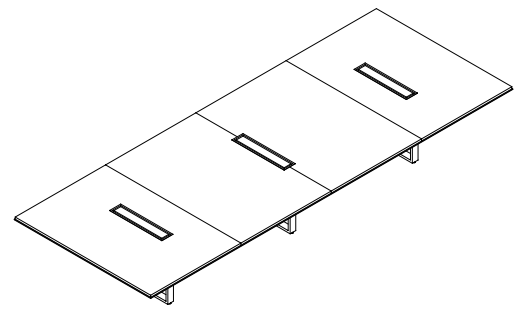
Please consult [page 7](#) for the palette of DatesWeiser finishes. Natural stone, non-standard glass and veneer, and other technology options are available. Please email customerservice@datesweiser.com for a custom quote. Consult technical information on [page 274](#) for construction details and technical information.

*Tables with a Caesarstone finish require a 4-section top.

Highline Rectangular Conference Table

72"x192"/ 16 Person

02R72X192



Starting Price: **\$23,580**

72x192 table, veneer Tier 1 top with metal edge, open base, powder coat metal finish

Pattern Number: 02R72X192

Step 1. Top Material

V	Veneer	
G	Glass	
C	Corian	
Q	Caesarstone	

Step 2. Metal Finish

MC __	Powder Coat	+0
PM01	Polished Chrome	+589
PM02	Satin Nickel	+589
PM03	Oil Rubbed Bronze	+589

Step 3. Top Finish

T1 __	Veneer Tier 1	+0
T2 __	Veneer Tier 2	+2,081
T3 __	Veneer Tier 3	+6,275
GC01	Clear Glass, back painted, white	+6,578
GC __	Clear Glass, back painted, color	+9,929
GE01	Etched matte Glass, back painted, white	+8,350
GE __	Etched matte Glass, back painted, color	+11,898
CS01	Corian Glacier White	+13,460
QS __	Caesarstone	+28,275

Step 4. Power & Connectivity Access: Optional

TMHW	Tabletop, Metal lid, Hardwired, Qty 3	+7,884
TMPI	Tabletop, Metal lid, Plug In, Qty 3	+7,149
UMHW	Undermount, Hardwired, Qty 8	+7,120
UMPI	Undermount, Plug In, Qty 8	+5,152

Step 5. Microphone and/or Grommet Accommodations: Optional

MA __	Microphone hole (factory cut)	Qty __ x 321 each
GM __	2" Grommet Hole (factory cut), liner, lid, in matching metal finish	Qty __ x 423 each

Wire Management Column (sold separately)

Required with any technology selection

Pattern Number: 02WMC6X6	508
Pattern Number: 02WMC10X10	1,065
Pattern Number: 02WMC15X18	1,386

Step 1. Metal Finish for

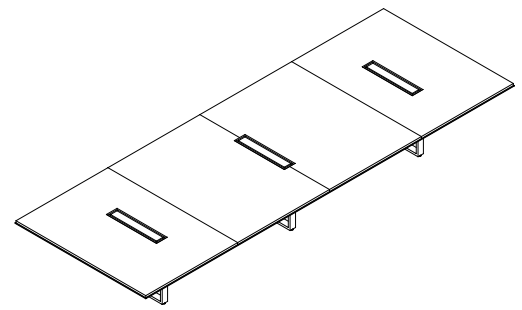
Wire Management Column	6x6	10x10	15x18
MC __ Powder Coat	+0	+0	+0
PM01 Polished Chrome	+749	+428	+684
PM02 Satin Nickel	+749	+428	+684
PM03 Oil Rubbed Bronze	+749	+428	+684

Please consult [page 7](#) for the palette of DatesWeiser finishes. Natural stone, non-standard glass and veneer, and other technology options are available. Please email customerservice@datesweiser.com for a custom quote. Consult technical information on [page 274](#) for construction details and technical information.

Highline Rectangular Conference Table

72"x204"/ 16 Person

02R72X204



Starting Price: **\$24,325**

72x204 table, veneer Tier 1 top with metal edge, open base, powder coat metal finish

Pattern Number: 02R72X204

Step 1. Top Material

V	Veneer
G	Glass
C	Corian
Q	Caesarstone

Step 2. Metal Finish

MC __	Powder Coat	+0
PM01	Polished Chrome	+589
PM02	Satin Nickel	+589
PM03	Oil Rubbed Bronze	+589

Step 3. Top Finish

T1 __	Veneer Tier 1	+0
T2 __	Veneer Tier 2	+2,172
T3 __	Veneer Tier 3	+6,618
GC01	Clear Glass, back painted, white	+6,880
GC __	Clear Glass, back painted, color	+10,347
GE01	Etched matte Glass, back painted, white	+8,739
GE __	Etched matte Glass, back painted, color	+12,412
CS01	Corian Glacier White	+14,092
QS __	Caesarstone	+29,460

Step 4. Power & Connectivity Access: Optional

TMHW	Tabletop, Metal lid, Hardwired, Qty 3	+7,884
TMPI	Tabletop, Metal lid, Plug In, Qty 3	+7,149
UMHW	Undermount, Hardwired, Qty 8	+7,120
UMPI	Undermount, Plug In, Qty 8	+5,152

Step 5. Microphone and/or Grommet Accommodations: Optional

MA __	Microphone hole (factory cut)	Qty __ x 321 each
GM __	2" Grommet Hole (factory cut), liner, lid, in matching metal finish	Qty __ x 423 each

Wire Management Column (sold separately)

Required with any technology selection

Pattern Number: 02WMC6X6	508
Pattern Number: 02WMC10X10	1,065
Pattern Number: 02WMC15X18	1,386

Step 1. Metal Finish for

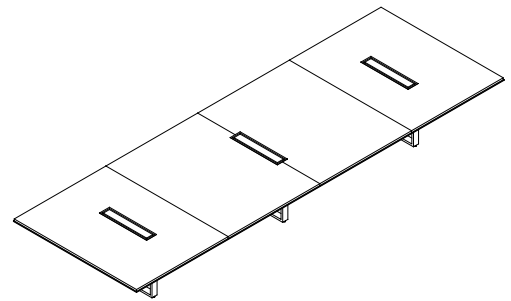
Wire Management Column	6x6	10x10	15x18
MC __ Powder Coat	+0	+0	+0
PM01 Polished Chrome	+749	+428	+684
PM02 Satin Nickel	+749	+428	+684
PM03 Oil Rubbed Bronze	+749	+428	+684

Please consult [page 7](#) for the palette of DatesWeiser finishes. Natural stone, non-standard glass and veneer, and other technology options are available. Please email customerservice@datesweiser.com for a custom quote. Consult technical information on [page 274](#) for construction details and technical information.

Highline Rectangular Conference Table

72"x216"/ 18 Person

02R72X216



Starting Price: **\$24,995**

72x216 table, veneer Tier 1 top with metal edge, open base, powder coat metal finish

Pattern Number: 02R72X216

Step 1. Top Material

V	Veneer	
G	Glass	
C	Corian	
Q	Caesarstone	

Step 2. Metal Finish

MC __	Powder Coat	+0
PM01	Polished Chrome	+589
PM02	Satin Nickel	+589
PM03	Oil Rubbed Bronze	+589

Step 3. Top Finish

T1 __	Veneer Tier 1	+0
T2 __	Veneer Tier 2	+2,370
T3 __	Veneer Tier 3	+7,041
GC01	Clear Glass, back painted, white	+7,222
GC __	Clear Glass, back painted, color	+10,802
GE01	Etched matte Glass, back painted, white	+9,201
GE __	Etched matte Glass, back painted, color	+13,001
CS01	Corian Glacier White	+14,756
QS __	Caesarstone	+30,655

Step 4. Power & Connectivity Access: Optional

TMHW	Tabletop, Metal lid, Hardwired, Qty 3	+7,884
TMPI	Tabletop, Metal lid, Plug In, Qty 3	+7,149
UMHW	Undermount, Hardwired, Qty 8	+7,120
UMPI	Undermount, Plug In, Qty 8	+5,152

Step 5. Microphone and/or Grommet Accommodations: Optional

MA __	Microphone hole (factory cut)	Qty __ x 321 each
GM __	2" Grommet Hole (factory cut), liner, lid, in matching metal finish	Qty __ x 423 each

Wire Management Column (sold separately)

Required with any technology selection

Pattern Number: 02WMC6X6	508
Pattern Number: 02WMC10X10	1,065
Pattern Number: 02WMC15X18	1,386

Step 1. Metal Finish for

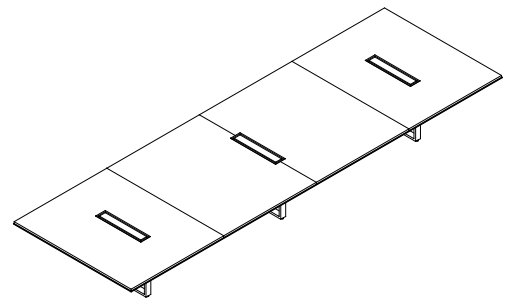
Wire Management Column	6x6	10x10	15x18
MC __ Powder Coat	+0	+0	+0
PM01 Polished Chrome	+749	+428	+684
PM02 Satin Nickel	+749	+428	+684
PM03 Oil Rubbed Bronze	+749	+428	+684

Please consult [page 7](#) for the palette of DatesWeiser finishes. Natural stone, non-standard glass and veneer, and other technology options are available. Please email customerservice@datesweiser.com for a custom quote. Consult technical information on [page 274](#) for construction details and technical information.

Highline Rectangular Conference Table

72"x228"/ 18 Person

02R72X228



Starting Price: **\$25,708**

72x228 table, veneer Tier 1 top with metal edge, open base, powder coat metal finish

Pattern Number: 02R72X228

Step 1. Top Material

V	Veneer
G	Glass
C	Corian
Q	Caesarstone

Step 2. Metal Finish

MC __	Powder Coat	+0
PM01	Polished Chrome	+589
PM02	Satin Nickel	+589
PM03	Oil Rubbed Bronze	+589

Step 3. Top Finish

T1 __	Veneer Tier 1	+0
T2 __	Veneer Tier 2	+2,482
T3 __	Veneer Tier 3	+7,431
GC01	Clear Glass, back painted, white	+7,540
GC __	Clear Glass, back painted, color	+11,235
GE01	Etched matte Glass, back painted, white	+9,605
GE __	Etched matte Glass, back painted, color	+13,530
CS01	Corian Glacier White	+15,435
QS __	Caesarstone*	+31,891

Step 4. Power & Connectivity Access: Optional

TMHW	Tabletop, Metal lid, Hardwired, Qty 3	+7,884
TMPI	Tabletop, Metal lid, Plug In, Qty 3	+7,149
UMHW	Undermount, Hardwired, Qty 8	+7,120
UMPI	Undermount, Plug In, Qty 8	+5,152

Step 5. Microphone and/or Grommet Accommodations: Optional

MA __	Microphone hole (factory cut)	Qty __ x 321 each
GM __	2" Grommet Hole (factory cut), liner, lid, in matching metal finish	Qty __ x 423 each

Wire Management Column (sold separately)

Required with any technology selection

Pattern Number: 02WMC6X6	508
Pattern Number: 02WMC10X10	1,065
Pattern Number: 02WMC15X18	1,386

Step 1. Metal Finish for

Wire Management Column	6x6	10x10	15x18
MC __ Powder Coat	+0	+0	+0
PM01 Polished Chrome	+749	+428	+684
PM02 Satin Nickel	+749	+428	+684
PM03 Oil Rubbed Bronze	+749	+428	+684

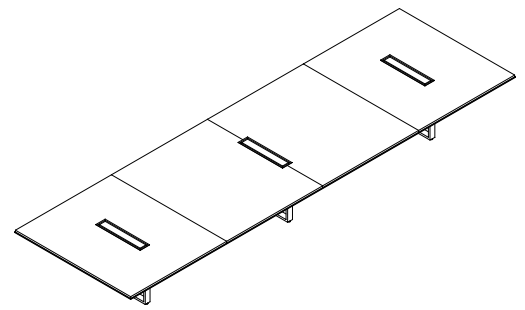
Please consult [page 7](#) for the palette of DatesWeiser finishes. Natural stone, non-standard glass and veneer, and other technology options are available. Please email customerservice@datesweiser.com for a custom quote. Consult technical information on [page 274](#) for construction details and technical information.

*Tables with a Caesarstone finish require a 5-section top.

Highline Rectangular Conference Table

72"x240"/ 20 Person

02R72X240



Starting Price: **\$26,392**

72x240 table, veneer Tier 1 top with metal edge, open base, powder coat metal finish

Pattern Number: 02R72X240

Step 1. Top Material

V	Veneer
G	Glass
C	Corian
Q	Caesarstone

Step 2. Metal Finish

MC __	Powder Coat	+0
PM01	Polished Chrome	+589
PM02	Satin Nickel	+589
PM03	Oil Rubbed Bronze	+589

Step 3. Top Finish

T1 __	Veneer Tier 1	+0
T2 __	Veneer Tier 2	+2,648
T3 __	Veneer Tier 3	+7,853
GC01	Clear Glass, back painted, white	+7,582
GC __	Clear Glass, back painted, color	+11,657
GE01	Etched matte Glass, back painted, white	+10,029
GE __	Etched matte Glass, back painted, color	+14,075
CS01	Corian Glacier White	+16,092
QS __	Caesarstone*	+33,085

Step 4. Power & Connectivity Access: Optional

TMHW	Tabletop, Metal lid, Hardwired, Qty 3	+7,884
TMPI	Tabletop, Metal lid, Plug In, Qty 3	+7,149
UMHW	Undermount, Hardwired, Qty 10	+8,900
UMPI	Undermount, Plug In, Qty 10	+6,440

Step 5. Microphone and/or Grommet Accommodations: Optional

MA __	Microphone hole (factory cut)	Qty __ x 321 each
GM __	2" Grommet Hole (factory cut), liner, lid, in matching metal finish	Qty __ x 423 each

Wire Management Column (sold separately)

Required with any technology selection

Pattern Number: 02WMC6X6	508
Pattern Number: 02WMC10X10	1,065
Pattern Number: 02WMC15X18	1,386

Step 1. Metal Finish for

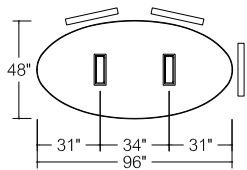
Wire Management Column	6x6	10x10	15x18
MC __ Powder Coat	+0	+0	+0
PM01 Polished Chrome	+749	+428	+684
PM02 Satin Nickel	+749	+428	+684
PM03 Oil Rubbed Bronze	+749	+428	+684

Please consult [page 7](#) for the palette of DatesWeiser finishes. Natural stone, non-standard glass and veneer, and other technology options are available. Please email customerservice@datesweiser.com for a custom quote. Consult technical information on [page 274](#) for construction details and technical information.

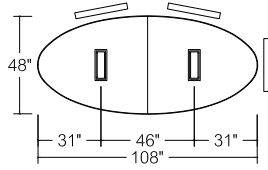
*Tables with a Caesarstone finish require a 5-section top.

Highline Elliptical Conference Tables Index

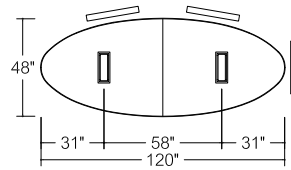
48"-72" width



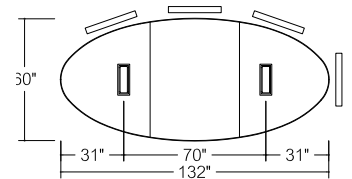
02E48X96
6 Person Table



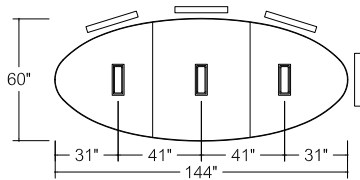
02E48X108
6 Person Table



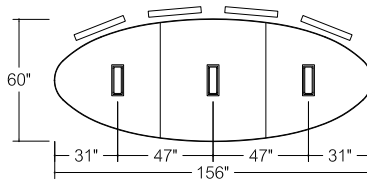
02E48X120
6 Person Table



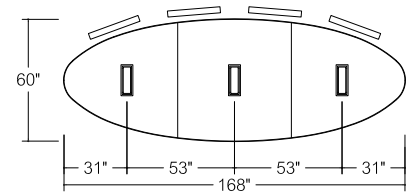
02E60X132
8 Person Table



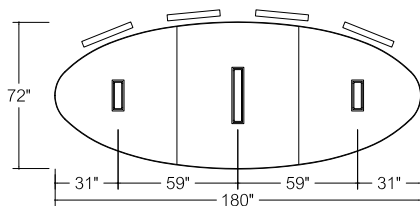
02E60X144
8 Person Table



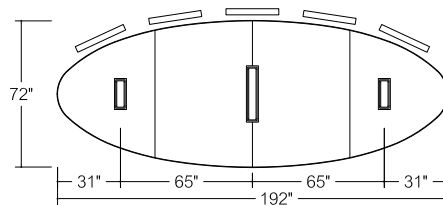
02E60X156
8 Person Table



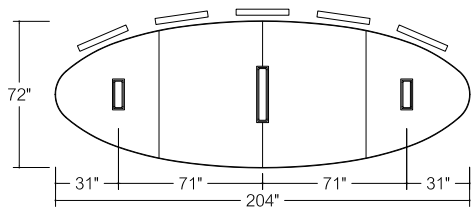
02E60X168
8 Person Table



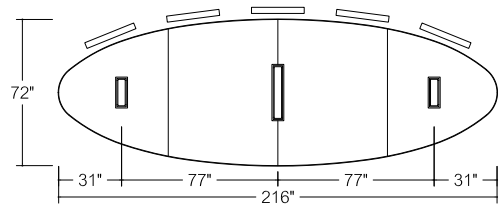
02E72X180
8 Person Table



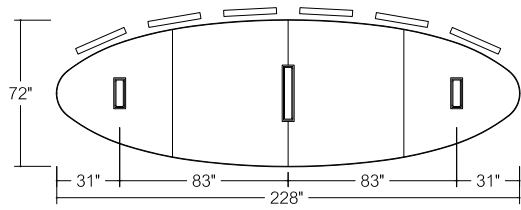
02E72X192
10 Person Table



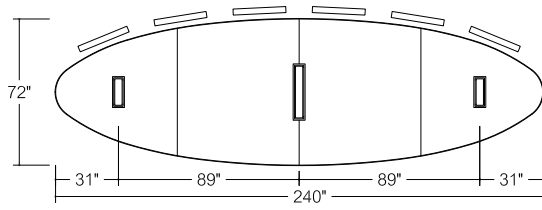
02E72X204
10 Person Table



02E72X216
10 Person Table



02E72X228
12 Person Table

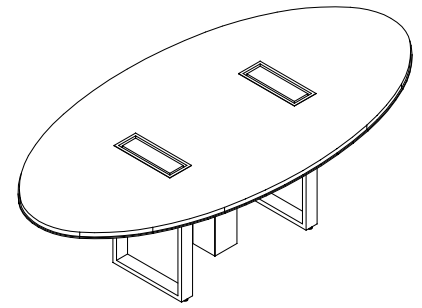


02E72X240
12 Person Table

Highline Elliptical Conference Table

48"x96"/ 6 Person

02E48X96



Starting Price: **\$14,589**

48x96 table, veneer Tier 1 top with metal edge, open base, powder coat metal finish

Pattern Number: 02E48X96

Step 1. Top Material

V	Veneer
G	Glass
C	Corian
Q	Caesarstone

Step 2. Metal Finish

MC __	Powder Coat	+0
PM01	Polished Chrome	+294
PM02	Satin Nickel	+294
PM03	Oil Rubbed Bronze	+294

Step 3. Top Finish

T1 __	Veneer Tier 1	+0
T2 __	Veneer Tier 2	+707
T3 __	Veneer Tier 3	+2,071
GC01	Clear Glass, back painted, white	+2,774
GC __	Clear Glass, back painted, color	+4,703
GE01	Etched matte Glass, back painted, white	+3,612
GE __	Etched matte Glass, back painted, color	+5,634
CS01	Corian Glacier White	+6,704
QS __	Caesarstone	+15,221

Step 4. Power & Connectivity Access: Optional

TMHW	Tabletop, Metal lid, Hardwired, Qty 2	+3,996
TMPI	Tabletop, Metal lid, Plug In, Qty 2	+3,498
UMHW	Undermount, Hardwired, Qty 4	+3,560
UMPI	Undermount, Plug In, Qty 4	+2,576

Step 5. Microphone and/or Grommet Accommodations: Optional

MA __	Microphone hole (factory cut)	Qty __ x 321 each
GM __	2" Grommet Hole (factory cut), liner, lid, in matching metal finish	Qty __ x 423 each

Wire Management Column (sold separately)

Required with any technology selection

Pattern Number: 02WMC6X6	508
Pattern Number: 02WMC10X10	1,065

Step 1. Metal Finish for Wire Management Column

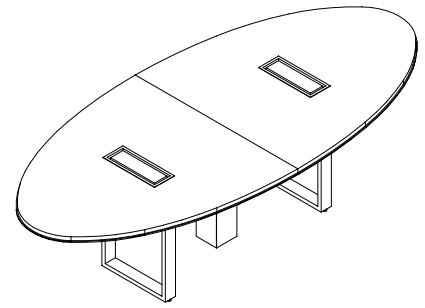
		6x6	10x10
MC __	Powder Coat	+0	+0
PM01	Polished Chrome	+749	+428
PM02	Satin Nickel	+749	+428
PM03	Oil Rubbed Bronze	+749	+428

Please consult [page 7](#) for the palette of DatesWeiser finishes. Natural stone, non-standard glass and veneer, and other technology options are available. Please email customerservice@datesweiser.com for a custom quote. Consult technical information on [page 274](#) for construction details and technical information.

Highline Elliptical Conference Table

48"x108"/ 6 Person

02E48X108



Starting Price: **\$15,061**

48x108 table, veneer Tier 1 top with metal edge, open base, powder coat metal finish

Pattern Number: 02E48X108

Step 1. Top Material

V	Veneer
G	Glass
C	Corian
Q	Caesarstone

Step 2. Metal Finish

MC __	Powder Coat	+0
PM01	Polished Chrome	+294
PM02	Satin Nickel	+294
PM03	Oil Rubbed Bronze	+294

Step 3. Top Finish

T1 __	Veneer Tier 1	+0
T2 __	Veneer Tier 2	+781
T3 __	Veneer Tier 3	+2,349
GC01	Clear Glass, back painted, white	+3,867
GC __	Clear Glass, back painted, color	+5,971
GE01	Etched matte Glass, back painted, white	+5,152
GE __	Etched matte Glass, back painted, color	+7,025
CS01	Corian Glacier White	+8,234
QS __	Caesarstone	+17,552

Step 4. Power & Connectivity Access: Optional

TMHW	Tabletop, Metal lid, Hardwired, Qty 2	+3,996
TMPI	Tabletop, Metal lid, Plug In, Qty 2	+3,498
UMHW	Undermount, Hardwired, Qty 4	+3,560
UMPI	Undermount, Plug In, Qty 4	+2,576

Step 5. Microphone and/or Grommet Accommodations: Optional

MA __	Microphone hole (factory cut)	Qty __ x 321 each
GM __	2" Grommet Hole (factory cut), liner, lid, in matching metal finish	Qty __ x 423 each

Wire Management Column (sold separately)

Required with any technology selection

Pattern Number: 02WMC6X6	508
Pattern Number: 02WMC10X10	1,065

Step 1. Metal Finish for Wire Management Column

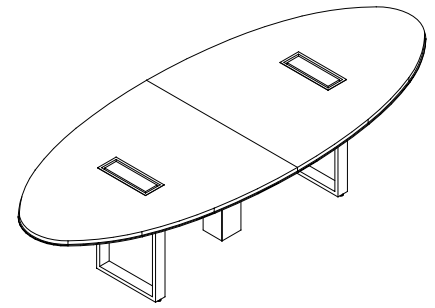
		6x6	10x10
MC __	Powder Coat	+0	+0
PM01	Polished Chrome	+749	+428
PM02	Satin Nickel	+749	+428
PM03	Oil Rubbed Bronze	+749	+428

Please consult [page 7](#) for the palette of DatesWeiser finishes. Natural stone, non-standard glass and veneer, and other technology options are available. Please email customerservice@datesweiser.com for a custom quote. Consult technical information on [page 274](#) for construction details and technical information.

Highline Elliptical Conference Table

48"x120"/ 6 Person

02E48X120



Starting Price: **\$16,003**

48x120 table, veneer Tier 1 top with metal edge, open base, powder coat metal finish

Pattern Number: 02E48X120

Step 1. Top Material

V	Veneer
G	Glass
C	Corian
Q	Caesarstone

Step 2. Metal Finish

MC __	Powder Coat	+0
PM01	Polished Chrome	+294
PM02	Satin Nickel	+294
PM03	Oil Rubbed Bronze	+294

Step 3. Top Finish

T1 __	Veneer Tier 1	+0
T2 __	Veneer Tier 2	+878
T3 __	Veneer Tier 3	+2,616
GC01	Clear Glass, back painted, white	+4,549
GC __	Clear Glass, back painted, color	+6,838
GE01	Etched matte Glass, back painted, white	+5,627
GE __	Etched matte Glass, back painted, color	+8,036
CS01	Corian Glacier White	+9,352
QS __	Caesarstone	+19,514

Step 4. Power & Connectivity Access: Optional

TMHW	Tabletop, Metal lid, Hardwired, Qty 2	+3,996
TMPI	Tabletop, Metal lid, Plug In, Qty 2	+3,498
UMHW	Undermount, Hardwired, Qty 4	+3,560
UMPI	Undermount, Plug In, Qty 4	+2,576

Step 5. Microphone and/or Grommet Accommodations: Optional

MA __	Microphone hole (factory cut)	Qty __ x 321 each
GM __	2" Grommet Hole (factory cut), liner, lid, in matching metal finish	Qty __ x 423 each

Wire Management Column (sold separately)

Required with any technology selection

Pattern Number: 02WMC6X6	508
Pattern Number: 02WMC10X10	1,065

Step 1. Metal Finish for Wire Management Column

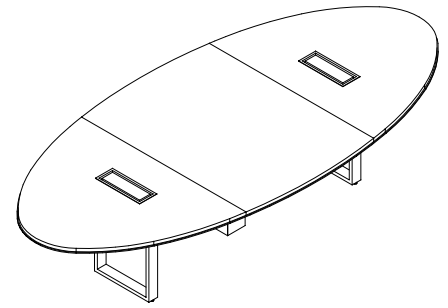
		6x6	10x10
MC __	Powder Coat	+0	+0
PM01	Polished Chrome	+749	+428
PM02	Satin Nickel	+749	+428
PM03	Oil Rubbed Bronze	+749	+428

Please consult [page 7](#) for the palette of DatesWeiser finishes. Natural stone, non-standard glass and veneer, and other technology options are available. Please email customerservice@datesweiser.com for a custom quote. Consult technical information on [page 274](#) for construction details and technical information.

Highline Elliptical Conference Table

60"x132"/ 8 Person

02E60X132



Starting Price: **\$19,193**

60x132 table, veneer Tier 1 top with metal edge, open base, powder coat metal finish

Pattern Number: 02E60X132

Step 1. Top Material

V	Veneer
G	Glass
C	Corian
Q	Caesarstone

Step 2. Metal Finish

MC __	Powder Coat	+0
PM01	Polished Chrome	+444
PM02	Satin Nickel	+444
PM03	Oil Rubbed Bronze	+444

Step 3. Top Finish

T1 __	Veneer Tier 1	+0
T2 __	Veneer Tier 2	+1,182
T3 __	Veneer Tier 3	+3,563
GC01	Clear Glass, back painted, white	+6,483
GC __	Clear Glass, back painted, color	+9,335
GE01	Etched matte Glass, back painted, white	+7,989
GE __	Etched matte Glass, back painted, color	+11,010
CS01	Corian Glacier White	+12,866
QS __	Caesarstone	+25,690

Step 4. Power & Connectivity Access: Optional

TMHW	Tabletop, Metal lid, Hardwired, Qty 2	+3,996
TMPI	Tabletop, Metal lid, Plug In, Qty 2	+3,498
UMHW	Undermount, Hardwired, Qty 4	+3,560
UMPI	Undermount, Plug In, Qty 4	+2,576

Step 5. Microphone and/or Grommet Accommodations: Optional

MA __	Microphone hole (factory cut)	Qty __ x 321 each
GM __	2" Grommet Hole (factory cut), liner, lid, in matching metal finish	Qty __ x 423 each

Wire Management Column (sold separately)

Required with any technology selection

Pattern Number: 02WMC6X6	508
Pattern Number: 02WMC10X10	1,065

Step 1. Metal Finish for Wire Management Column

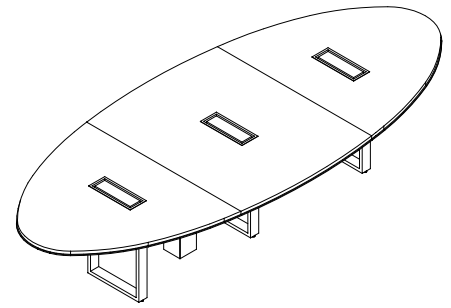
		6x6	10x10
MC __	Powder Coat	+0	+0
PM01	Polished Chrome	+749	+428
PM02	Satin Nickel	+749	+428
PM03	Oil Rubbed Bronze	+749	+428

Please consult [page 7](#) for the palette of DatesWeiser finishes. Natural stone, non-standard glass and veneer, and other technology options are available. Please email customerservice@datesweiser.com for a custom quote. Consult technical information on [page 274](#) for construction details and technical information.

Highline Elliptical Conference Table

60"x144"/ 8 Person

02E60X144



Starting Price: **\$20,676**

60x144 table, veneer Tier 1 top with metal edge, open base, powder coat metal finish

Pattern Number: 02E60X144

Step 1. Top Material

V	Veneer
G	Glass
C	Corian
Q	Caesarstone

Step 2. Metal Finish

MC __	Powder Coat	+0
PM01	Polished Chrome	+444
PM02	Satin Nickel	+444
PM03	Oil Rubbed Bronze	+444

Step 3. Top Finish

T1 __	Veneer Tier 1	+0
T2 __	Veneer Tier 2	+1,310
T3 __	Veneer Tier 3	+3,884
GC01	Clear Glass, back painted, white	+7,143
GC __	Clear Glass, back painted, color	+10,234
GE01	Etched matte Glass, back painted, white	+8,722
GE __	Etched matte Glass, back painted, color	+11,989
CS01	Corian Glacier White	+14,022
QS __	Caesarstone	+27,901

Step 4. Power & Connectivity Access: Optional

TMHW	Tabletop, Metal lid, Hardwired, Qty 3	+5,994
TMPI	Tabletop, Metal lid, Plug In, Qty 3	+5,247
UMHW	Undermount, Hardwired, Qty 4	+3,560
UMPI	Undermount, Plug In, Qty 4	+2,576

Step 5. Microphone and/or Grommet Accommodations: Optional

MA __	Microphone hole (factory cut)	Qty __ x 321 each
GM __	2" Grommet Hole (factory cut), liner, lid, in matching metal finish	Qty __ x 423 each

Wire Management Column (sold separately)

Required with any technology selection

Pattern Number: 02WMC6X6	508
Pattern Number: 02WMC10X10	1,065

Step 1. Metal Finish for Wire Management Column

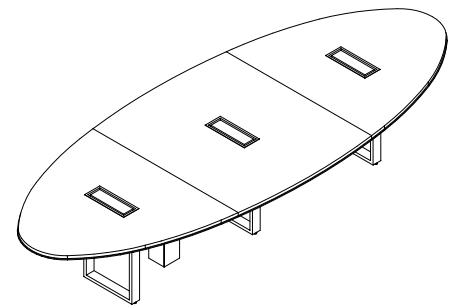
		6x6	10x10
MC __	Powder Coat	+0	+0
PM01	Polished Chrome	+749	+428
PM02	Satin Nickel	+749	+428
PM03	Oil Rubbed Bronze	+749	+428

Please consult [page 7](#) for the palette of DatesWeiser finishes. Natural stone, non-standard glass and veneer, and other technology options are available. Please email customerservice@datesweiser.com for a custom quote. Consult technical information on [page 274](#) for construction details and technical information.

Highline Elliptical Conference Table

60"x156"/ 8 Person

02E60X156



Starting Price: **\$21,321**

60x156 table, veneer Tier 1 top with metal edge, open base, powder coat metal finish

Pattern Number: 02E60X156

Step 1. Top Material

V	Veneer
G	Glass
C	Corian
Q	Caesarstone

Step 2. Metal Finish

MC __	Powder Coat	+0
PM01	Polished Chrome	+444
PM02	Satin Nickel	+444
PM03	Oil Rubbed Bronze	+444

Step 3. Top Finish

T1 __	Veneer Tier 1	+0
T2 __	Veneer Tier 2	+1,418
T3 __	Veneer Tier 3	+4,205
GC01	Clear Glass, back painted, white	+7,623
GC __	Clear Glass, back painted, color	+10,839
GE01	Etched matte Glass, back painted, white	+9,404
GE __	Etched matte Glass, back painted, color	+12,818
CS01	Corian Glacier White	+15,039
QS __	Caesarstone	+29,582

Step 4. Power & Connectivity Access: Optional

TMHW	Tabletop, Metal lid, Hardwired, Qty 3	+5,994
TMPI	Tabletop, Metal lid, Plug In, Qty 3	+5,247
UMHW	Undermount, Hardwired, Qty 4	+3,560
UMPI	Undermount, Plug In, Qty 4	+2,576

Step 5. Microphone and/or Grommet Accommodations: Optional

MA __	Microphone hole (factory cut)	Qty __ x 321 each
GM __	2" Grommet Hole (factory cut), liner, lid, in matching metal finish	Qty __ x 423 each

Wire Management Column (sold separately)

Required with any technology selection

Pattern Number: 02WMC6X6	508
Pattern Number: 02WMC10X10	1,065

Step 1. Metal Finish for Wire Management Column

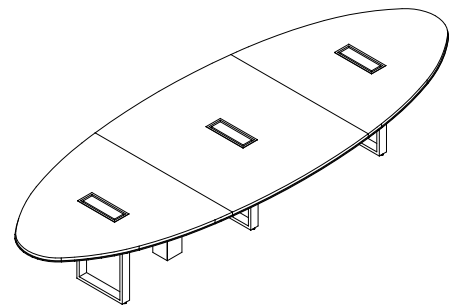
		6x6	10x10
MC __	Powder Coat	+0	+0
PM01	Polished Chrome	+749	+428
PM02	Satin Nickel	+749	+428
PM03	Oil Rubbed Bronze	+749	+428

Please consult [page 7](#) for the palette of DatesWeiser finishes. Natural stone, non-standard glass and veneer, and other technology options are available. Please email customerservice@datesweiser.com for a custom quote. Consult technical information on [page 274](#) for construction details and technical information.

Highline Elliptical Conference Table

60"x168"/ 8 Person

02E60X168



Starting Price: **\$21,947**

60x168 table, veneer Tier 1 top with metal edge, open base, powder coat metal finish

Pattern Number: 02E60X168

Step 1. Top Material

V	Veneer
G	Glass
C	Corian
Q	Caesarstone

Step 2. Metal Finish

MC __	Powder Coat	+0
PM01	Polished Chrome	+444
PM02	Satin Nickel	+444
PM03	Oil Rubbed Bronze	+444

Step 3. Top Finish

T1 __	Veneer Tier 1	+0
T2 __	Veneer Tier 2	+1,508
T3 __	Veneer Tier 3	+4,533
GC01	Clear Glass, back painted, white	+8,157
GC __	Clear Glass, back painted, color	+11,502
GE01	Etched matte Glass, back painted, white	+10,083
GE __	Etched matte Glass, back painted, color	+13,642
CS01	Corian Glacier White	+16,055
QS __	Caesarstone	+31,256

Step 4. Power & Connectivity Access: Optional

TMHW	Tabletop, Metal lid, Hardwired, Qty 3	+5,994
TMPI	Tabletop, Metal lid, Plug In, Qty 3	+5,247
UMHW	Undermount, Hardwired, Qty 4	+3,560
UMPI	Undermount, Plug In, Qty 4	+2,576

Step 5. Microphone and/or Grommet Accommodations: Optional

MA __	Microphone hole (factory cut)	Qty __ x 321 each
GM __	2" Grommet Hole (factory cut), liner, lid, in matching metal finish	Qty __ x 423 each

Wire Management Column (sold separately)

Required with any technology selection

Pattern Number: 02WMC6X6	508
Pattern Number: 02WMC10X10	1,065

Step 1. Metal Finish for Wire Management Column

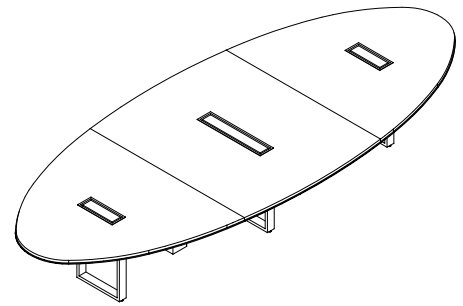
		6x6	10x10
MC __	Powder Coat	+0	+0
PM01	Polished Chrome	+749	+428
PM02	Satin Nickel	+749	+428
PM03	Oil Rubbed Bronze	+749	+428

Please consult [page 7](#) for the palette of DatesWeiser finishes. Natural stone, non-standard glass and veneer, and other technology options are available. Please email customerservice@datesweiser.com for a custom quote. Consult technical information on [page 274](#) for construction details and technical information.

Highline Elliptical Conference Table

72"x180"/ 10 Person

02E72X180



Starting Price: **\$24,451**

72x192 table, veneer Tier 1 top with metal edge, open base, powder coat metal finish

Pattern Number: 02E72X180

Step 1. Top Material

V	Veneer
G	Glass
C	Corian
Q	Caesarstone

Step 2. Metal Finish

MC __	Powder Coat	+0
PM01	Polished Chrome	+444
PM02	Satin Nickel	+444
PM03	Oil Rubbed Bronze	+444

Step 3. Top Finish

T1 __	Veneer Tier 1	+0
T2 __	Veneer Tier 2	+1,952
T3 __	Veneer Tier 3	+5,869
GC01	Clear Glass, back painted, white	+10,280
GC __	Clear Glass, back painted, color	+14,140
GE01	Etched matte Glass, back painted, white	+12,755
GE __	Etched matte Glass, back painted, color	+16,890
CS01	Corian Glacier White	+20,003
QS __	Caesarstone*	+37,784

Step 4. Power & Connectivity Access: Optional

TMHW	Tabletop, Metal lid, Hardwired, Qty 3	+6,624
TMPI	Tabletop, Metal lid, Plug In, Qty 3	+5,881
UMHW	Undermount, Hardwired, Qty 4	+3,560
UMPI	Undermount, Plug In, Qty 4	+2,576

Step 5. Microphone and/or Grommet Accommodations: Optional

MA __	Microphone hole (factory cut)	Qty __ x 321 each
GM __	2" Grommet Hole (factory cut), liner, lid, in matching metal finish	Qty __ x 423 each

Wire Management Column (sold separately)

Required with any technology selection

Pattern Number: 02WMC6X6	508
Pattern Number: 02WMC10X10	1,065

Step 1. Metal Finish for Wire Management Column

		6x6	10x10
MC __	Powder Coat	+0	+0
PM01	Polished Chrome	+749	+428
PM02	Satin Nickel	+749	+428
PM03	Oil Rubbed Bronze	+749	+428

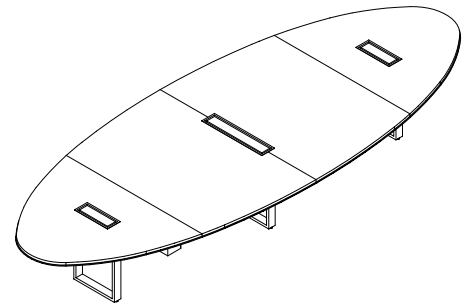
Please consult [page 7](#) for the palette of DatesWeiser finishes. Natural stone, non-standard glass and veneer, and other technology options are available. Please email customerservice@datesweiser.com for a custom quote. Consult technical information on [page 274](#) for construction details and technical information.

*Tables with a Caesarstone finish require a 4-section top.

Highline Elliptical Conference Table

72"x192"/ 10 Person

02E72X192



Starting Price: **\$26,700**

72x192 table, veneer Tier 1 top with metal edge, open base, powder coat metal finish

Pattern Number: 02E72X192

Step 1. Top Material

V	Veneer
G	Glass
C	Corian
Q	Caesarstone

Step 2. Metal Finish

MC __	Powder Coat	+0
PM01	Polished Chrome	+589
PM02	Satin Nickel	+589
PM03	Oil Rubbed Bronze	+589

Step 3. Top Finish

T1 __	Veneer Tier 1	+0
T2 __	Veneer Tier 2	+2,092
T3 __	Veneer Tier 3	+6,238
GC01	Clear Glass, back painted, white	+11,298
GC __	Clear Glass, back painted, color	+15,520
GE01	Etched matte Glass, back painted, white	+13,927
GE __	Etched matte Glass, back painted, color	+18,441
CS01	Corian Glacier White	+21,737
QS __	Caesarstone	+41,111

Step 4. Power & Connectivity Access: Optional

TMHW	Tabletop, Metal lid, Hardwired, Qty 3	+6,624
TMPI	Tabletop, Metal lid, Plug In, Qty 3	+5,881
UMHW	Undermount, Hardwired, Qty 4	+3,560
UMPI	Undermount, Plug In, Qty 4	+2,576

Step 5. Microphone and/or Grommet Accommodations: Optional

MA __	Microphone hole (factory cut)	Qty __ x 321 each
GM __	2" Grommet Hole (factory cut), liner, lid, in matching metal finish	Qty __ x 423 each

Wire Management Column (sold separately)

Required with any technology selection

Pattern Number: 02WMC6X6	508
Pattern Number: 02WMC10X10	1,065

Step 1. Metal Finish for Wire Management Column

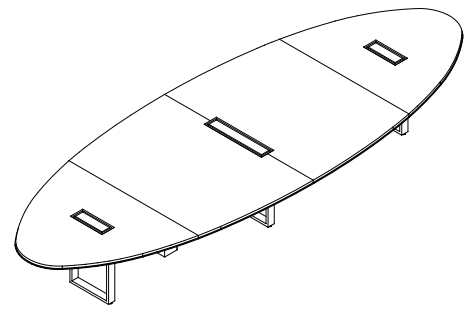
		6x6	10x10
MC __	Powder Coat	+0	+0
PM01	Polished Chrome	+749	+428
PM02	Satin Nickel	+749	+428
PM03	Oil Rubbed Bronze	+749	+428

Please consult [page 7](#) for the palette of DatesWeiser finishes. Natural stone, non-standard glass and veneer, and other technology options are available. Please email customerservice@datesweiser.com for a custom quote. Consult technical information on [page 274](#) for construction details and technical information.

Highline Elliptical Conference Table

72"x204"/ 10 Person

02E72X204



Starting Price: **\$27,455**

72x204 table, veneer Tier 1 top with metal edge, open base, powder coat metal finish

Pattern Number: 02E72X204

Step 1. Top Material

V	Veneer
G	Glass
C	Corian
Q	Caesarstone

Step 2. Metal Finish

MC __	Powder Coat	+0
PM01	Polished Chrome	+589
PM02	Satin Nickel	+589
PM03	Oil Rubbed Bronze	+589

Step 3. Top Finish

T1 __	Veneer Tier 1	+0
T2 __	Veneer Tier 2	+2,226
T3 __	Veneer Tier 3	+6,607
GC01	Clear Glass, back painted, white	+11,975
GC __	Clear Glass, back painted, color	+16,355
GE01	Etched matte Glass, back painted, white	+14,733
GE __	Etched matte Glass, back painted, color	+19,421
CS01	Corian Glacier White	+22,887
QS __	Caesarstone	+43,025

Step 4. Power & Connectivity Access: Optional

TMHW	Tabletop, Metal lid, Hardwired, Qty 3	+6,624
TMPI	Tabletop, Metal lid, Plug In, Qty 3	+5,881
UMHW	Undermount, Hardwired, Qty 4	+3,560
UMPI	Undermount, Plug In, Qty 4	+2,576

Step 5. Microphone and/or Grommet Accommodations: Optional

MA __	Microphone hole (factory cut)	Qty __ x 321 each
GM __	2" Grommet Hole (factory cut), liner, lid, in matching metal finish	Qty __ x 423 each

Wire Management Column (sold separately)

Required with any technology selection

Pattern Number: 02WMC6X6	508
Pattern Number: 02WMC10X10	1,065

Step 1. Metal Finish for Wire Management Column

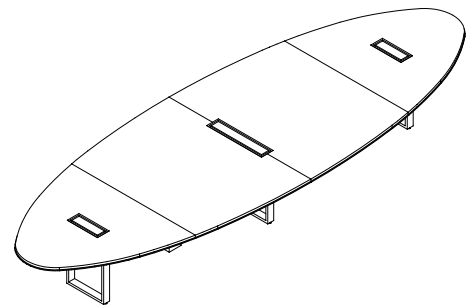
		6x6	10x10
MC __	Powder Coat	+0	+0
PM01	Polished Chrome	+749	+428
PM02	Satin Nickel	+749	+428
PM03	Oil Rubbed Bronze	+749	+428

Please consult [page 7](#) for the palette of DatesWeiser finishes. Natural stone, non-standard glass and veneer, and other technology options are available. Please email customerservice@datesweiser.com for a custom quote. Consult technical information on [page 274](#) for construction details and technical information.

Highline Elliptical Conference Table

72"x216"/ 10 Person

02E72X216



Starting Price: **\$28,303**

72x216 table, veneer Tier 1 top with metal edge, open base, powder coat metal finish

Pattern Number: 02E72X216

Step 1. Top Material

V	Veneer
G	Glass
C	Corian
Q	Caesarstone

Step 2. Metal Finish

MC __	Powder Coat	+0
PM01	Polished Chrome	+589
PM02	Satin Nickel	+589
PM03	Oil Rubbed Bronze	+589

Step 3. Top Finish

T1 __	Veneer Tier 1	+0
T2 __	Veneer Tier 2	+2,321
T3 __	Veneer Tier 3	+7,008
GC01	Clear Glass, back painted, white	+12,639
GC __	Clear Glass, back painted, color	+17,189
GE01	Etched matte Glass, back painted, white	+15,572
GE __	Etched matte Glass, back painted, color	+20,447
CS01	Corian Glacier White	+24,139
QS __	Caesarstone	+45,115

Step 4. Power & Connectivity Access: Optional

TMHW	Tabletop, Metal lid, Hardwired, Qty 3	+6,624
TMPI	Tabletop, Metal lid, Plug In, Qty 3	+5,881
UMHW	Undermount, Hardwired, Qty 4	+3,560
UMPI	Undermount, Plug In, Qty 4	+2,576

Step 5. Microphone and/or Grommet Accommodations: Optional

MA __	Microphone hole (factory cut)	Qty __ x 321 each
GM __	2" Grommet Hole (factory cut), liner, lid, in matching metal finish	Qty __ x 423 each

Wire Management Column (sold separately)

Required with any technology selection

Pattern Number: 02WMC6X6	508
Pattern Number: 02WMC10X10	1,065

Step 1. Metal Finish for Wire Management Column

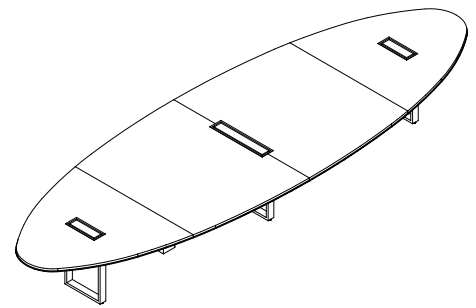
		6x6	10x10
MC __	Powder Coat	+0	+0
PM01	Polished Chrome	+749	+428
PM02	Satin Nickel	+749	+428
PM03	Oil Rubbed Bronze	+749	+428

Please consult [page 7](#) for the palette of DatesWeiser finishes. Natural stone, non-standard glass and veneer, and other technology options are available. Please email customerservice@datesweiser.com for a custom quote. Consult technical information on [page 274](#) for construction details and technical information.

Highline Elliptical Conference Table

72"x228"/ 12 Person

02E72X228



Starting Price: **\$30,446**

72x228 table, veneer Tier 1 top with metal edge, open base, powder coat metal finish

Pattern Number: 02E72X228

Step 1. Top Material

V	Veneer
G	Glass
C	Corian
Q	Caesarstone

Step 2. Metal Finish

MC __	Powder Coat	+0
PM01	Polished Chrome	+589
PM02	Satin Nickel	+589
PM03	Oil Rubbed Bronze	+589

Step 3. Top Finish

T1 __	Veneer Tier 1	+0
T2 __	Veneer Tier 2	+2,461
T3 __	Veneer Tier 3	+7,442
GC01	Clear Glass, back painted, white	+13,466
GC __	Clear Glass, back painted, color	+18,345
GE01	Etched matte Glass, back painted, white	+16,547
GE __	Etched matte Glass, back painted, color	+21,769
CS01	Corian Glacier White	+25,658
Q __	Caesarstone*	+48,099

Step 4. Power & Connectivity Access: Optional

TMHW	Tabletop, Metal lid, Hardwired, Qty 3	+6,624
TMPI	Tabletop, Metal lid, Plug In, Qty 3	+5,881
UMHW	Undermount, Hardwired, Qty 6	+5,340
UMPI	Undermount, Plug In, Qty 6	+3,864

Step 5. Microphone and/or Grommet Accommodations: Optional

MA __	Microphone hole (factory cut)	Qty __ x 321 each
GM __	2" Grommet Hole (factory cut), liner, lid, in matching metal finish	Qty __ x 423 each

Wire Management Column (sold separately)

Required with any technology selection

Pattern Number: 02WMC6X6	508
Pattern Number: 02WMC10X10	1,065

Step 1. Metal Finish for Wire Management Column

		6x6	10x10
MC __	Powder Coat	+0	+0
PM01	Polished Chrome	+749	+428
PM02	Satin Nickel	+749	+428
PM03	Oil Rubbed Bronze	+749	+428

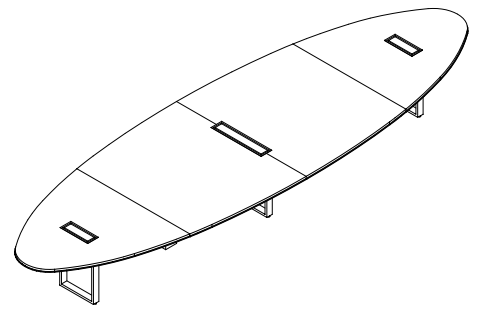
Please consult [page 7](#) for the palette of DatesWeiser finishes. Natural stone, non-standard glass and veneer, and other technology options are available. Please email customerservice@datesweiser.com for a custom quote. Consult technical information on [page 274](#) for construction details and technical information.

*Tables with a Caesarstone finish require a 5-section top.

Highline Elliptical Conference Table

72"x240"/ 20 Person

02E72X240



Starting Price: **\$31,163**

72x240 table, veneer Tier 1 top with metal edge, open base, powder coat metal finish

Pattern Number: 02E72X240

Step 1. Top Material

V	Veneer
G	Glass
C	Corian
Q	Caesarstone

Step 2. Metal Finish

MC __	Powder Coat	+0
PM01	Polished Chrome	+589
PM02	Satin Nickel	+589
PM03	Oil Rubbed Bronze	+589

Step 3. Top Finish

T1 __	Veneer Tier 1	+0
T2 __	Veneer Tier 2	+2,600
T3 __	Veneer Tier 3	+7,768
GC01	Clear Glass, back painted, white	+14,020
GC __	Clear Glass, back painted, color	+19,040
GE01	Etched matte Glass, back painted, white	+17,271
GE __	Etched matte Glass, back painted, color	+22,652
CS01	Corian Glacier White	+26,883
QS __	Caesarstone*	+50,102

Step 4. Power & Connectivity Access: Optional

TMHW	Tabletop, Metal lid, Hardwired, Qty 3	+6,624
TMPI	Tabletop, Metal lid, Plug In, Qty 3	+5,881
UMHW	Undermount, Hardwired, Qty 6	+5,340
UMPI	Undermount, Plug In, Qty 6	+3,864

Step 5. Microphone and/or Grommet Accommodations: Optional

MA __	Microphone hole (factory cut)	Qty __ x 321 each
GM __	2" Grommet Hole (factory cut), liner, lid, in matching metal finish	Qty __ x 423 each

Wire Management Column (sold separately)

Required with any technology selection

Pattern Number: 02WMC6X6	508
Pattern Number: 02WMC10X10	1,065

Step 1. Metal Finish for Wire Management Column

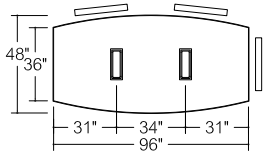
		6x6	10x10
MC __	Powder Coat	+0	+0
PM01	Polished Chrome	+749	+428
PM02	Satin Nickel	+749	+428
PM03	Oil Rubbed Bronze	+749	+428

Please consult [page 7](#) for the palette of DatesWeiser finishes. Natural stone, non-standard glass and veneer, and other technology options are available. Please email customerservice@datesweiser.com for a custom quote. Consult technical information on [page 274](#) for construction details and technical information.

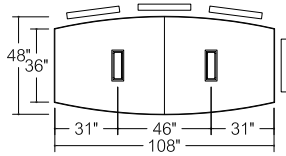
*Tables with a Caesarstone finish require a 5-section top.

Highline Boat Shaped Tables Index

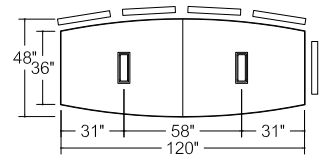
48"-72" width



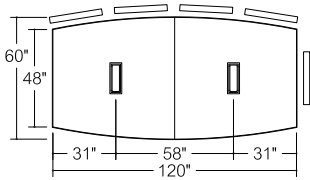
O2B48X96
6 Person Table



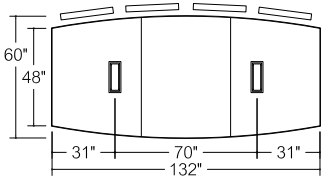
O2B48X108
8 Person Table



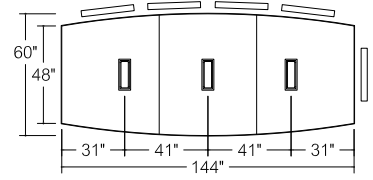
O2B48X120
10 Person Table



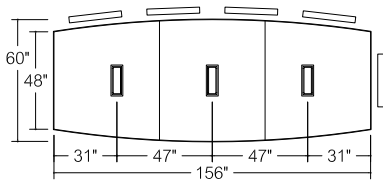
O2B60X120
10 Person Table



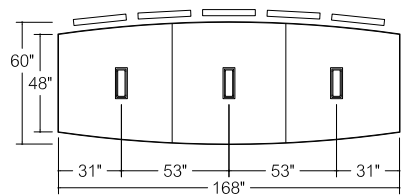
O2B60X132
10 Person Table



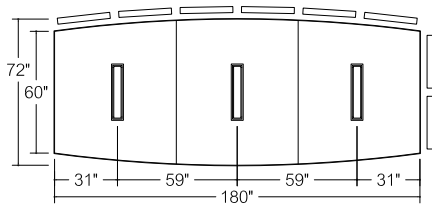
O2B60X144
10 Person Table



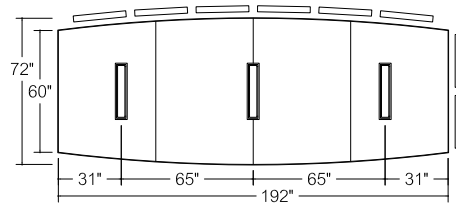
O2B60X156
10 Person Table



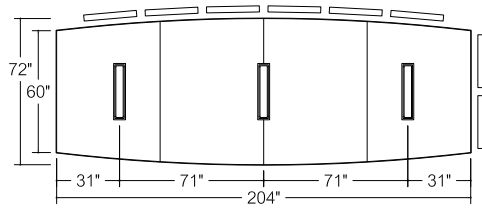
O2B60X168
12 Person Table



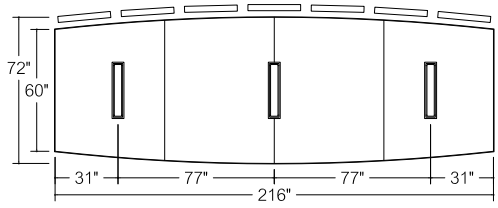
02B72X180
16 Person Table



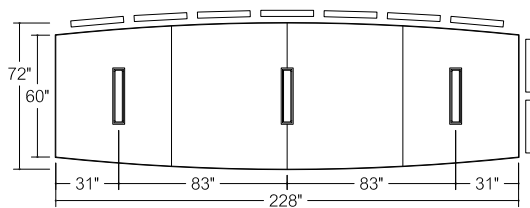
02B72X192
16 Person Table



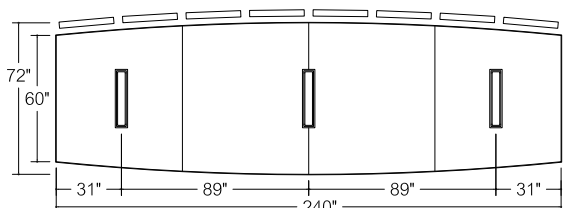
02B72X204
16 Person Table



02B72X216
18 Person Table



02B72X228
18 Person Table

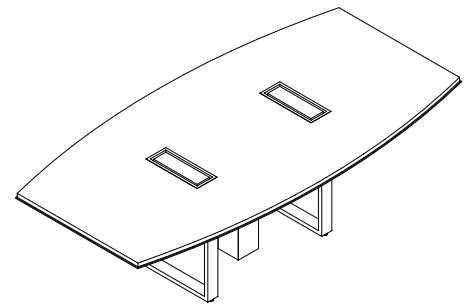


02B72X240
20 Person Table

Highline Boat Conference Table

48"x96"/ 6 Person

02B48X96



Starting Price: \$15,620

48/36x96 table, veneer Tier 1 top with metal edge, open base, powder coat metal finish

Pattern Number: 02B48X96

Step 1. Top Material

V	Veneer
G	Glass
C	Corian
Q	Caesarstone

Step 2. Metal Finish

MC __	Powder Coat	+0
PM01	Polished Chrome	+294
PM02	Satin Nickel	+294
PM03	Oil Rubbed Bronze	+294

Step 3. Top Finish

T1 __	Veneer Tier 1	+0
T2 __	Veneer Tier 2	+690
T3 __	Veneer Tier 3	+2,082
GC01	Clear Glass, back painted, white	+2,839
GC __	Clear Glass, back painted, color	+4,890
GE01	Etched matte Glass, back painted, white	+3,696
GE __	Etched matte Glass, back painted, color	+5,842
CS01	Corian Glacier White	+6,918
QS __	Caesarstone	+15,932

Step 4. Power & Connectivity Access: Optional

TMHW	Tabletop, Metal lid, Hardwired, Qty 2	+3,996
TMPI	Tabletop, Metal lid, Plug In, Qty 2	+3,498
UMHW	Undermount, Hardwired, Qty 4	+3,560
UMPI	Undermount, Plug In, Qty 4	+2,576

Step 5. Microphone and/or Grommet Accommodations: Optional

MA __	Microphone hole (factory cut)	Qty __ x 321 each
GM __	2" Grommet Hole (factory cut), liner, lid, in matching metal finish	Qty __ x 423 each

Wire Management Column (sold separately)

Required with any technology selection

Pattern Number: 02WMC6X6	508
Pattern Number: 02WMC10X10	1,065

Step 1. Metal Finish for Wire Management Column

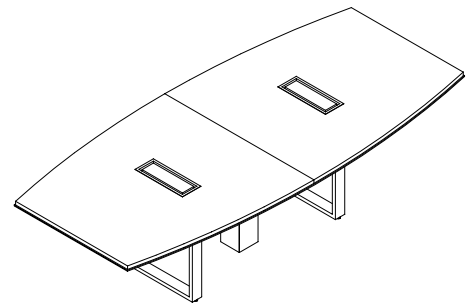
		6x6	10x10
MC __	Powder Coat	+0	+0
PM01	Polished Chrome	+749	+428
PM02	Satin Nickel	+749	+428
PM03	Oil Rubbed Bronze	+749	+428

Please consult [page 7](#) for the palette of DatesWeiser finishes. Natural stone, non-standard glass and veneer, and other technology options are available. Please email customerservice@datesweiser.com for a custom quote. Consult technical information on [page 274](#) for construction details and technical information.

Highline Boat Conference Table

48"x108"/ 8 Person

02B48X108



Starting Price: **\$16,082**

48/36x108 table, veneer Tier 1 top with metal edge, open base, powder coat metal finish

Pattern Number: 02B48X108

Step 1. Top Material

V	Veneer
G	Glass
C	Corian
Q	Caesarstone

Step 2. Metal Finish

MC __	Powder Coat	+0
PM01	Polished Chrome	+294
PM02	Satin Nickel	+294
PM03	Oil Rubbed Bronze	+294

Step 3. Top Finish

T1 __	Veneer Tier 1	+0
T2 __	Veneer Tier 2	+781
T3 __	Veneer Tier 3	+2,333
GC01	Clear Glass, back painted, white	+3,650
GC __	Clear Glass, back painted, color	+5,842
GE01	Etched matte Glass, back painted, white	+4,632
GE __	Etched matte Glass, back painted, color	+6,998
CS01	Corian Glacier White	+8,148
QS __	Caesarstone	+17,840

Step 4. Power & Connectivity Access: Optional

TMHW	Tabletop, Metal lid, Hardwired, Qty 2	+3,996
TMPI	Tabletop, Metal lid, Plug In, Qty 2	+3,498
UMHW	Undermount, Hardwired, Qty 4	+3,560
UMPI	Undermount, Plug In, Qty 4	+2,576

Step 5. Microphone and/or Grommet Accommodations: Optional

MA __	Microphone hole (factory cut)	Qty __ x 321 each
GM __	2" Grommet Hole (factory cut), liner, lid, in matching metal finish	Qty __ x 423 each

Wire Management Column (sold separately)

Required with any technology selection

Pattern Number: 02WMC6X6	508
Pattern Number: 02WMC10X10	1,065

Step 1. Metal Finish for Wire Management Column

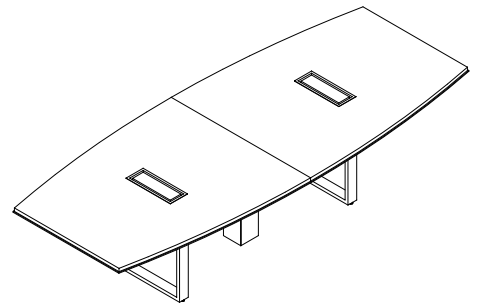
		6x6	10x10
MC __	Powder Coat	+0	+0
PM01	Polished Chrome	+749	+428
PM02	Satin Nickel	+749	+428
PM03	Oil Rubbed Bronze	+749	+428

Please consult [page 7](#) for the palette of DatesWeiser finishes. Natural stone, non-standard glass and veneer, and other technology options are available. Please email customerservice@datesweiser.com for a custom quote. Consult technical information on [page 274](#) for construction details and technical information.

Highline Boat Conference Table

48"x120"/ 10 Person

02B48X120



Starting Price: **\$17,084**

48/36x120 table, veneer Tier 1 top with metal edge, open base, powder coat metal finish

Pattern Number: 02B48X120

Step 1. Top Material

V	Veneer
G	Glass
C	Corian
Q	Caesarstone

Step 2. Metal Finish

MC __	Powder Coat	+0
PM01	Polished Chrome	+294
PM02	Satin Nickel	+294
PM03	Oil Rubbed Bronze	+294

Step 3. Top Finish

T1 __	Veneer Tier 1	+0
T2 __	Veneer Tier 2	+861
T3 __	Veneer Tier 3	+2,594
GC01	Clear Glass, back painted, white	+4,594
GC __	Clear Glass, back painted, color	+7,003
GE01	Etched matte Glass, back painted, white	+5,702
GE __	Etched matte Glass, back painted, color	+8,233
CS01	Corian Glacier White	+9,549
QS __	Caesarstone	+20,202

Step 4. Power & Connectivity Access: Optional

TMHW	Tabletop, Metal lid, Hardwired, Qty 2	+3,996
TMPI	Tabletop, Metal lid, Plug In, Qty 2	+3,498
UMHW	Undermount, Hardwired, Qty 6	+5,340
UMPI	Undermount, Plug In, Qty 6	+3,864

Step 5. Microphone and/or Grommet Accommodations: Optional

MA __	Microphone hole (factory cut)	Qty __ x 321 each
GM __	2" Grommet Hole (factory cut), liner, lid, in matching metal finish	Qty __ x 423 each

Wire Management Column (sold separately)

Required with any technology selection

Pattern Number: 02WMC6X6	508
Pattern Number: 02WMC10X10	1,065

Step 1. Metal Finish for Wire Management Column

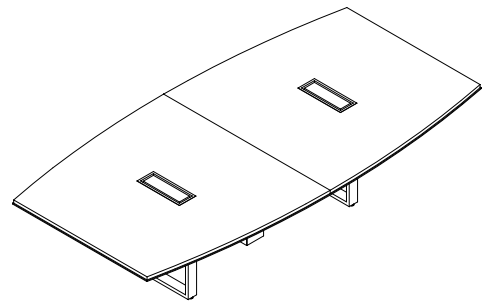
		6x6	10x10
MC __	Powder Coat	+0	+0
PM01	Polished Chrome	+749	+428
PM02	Satin Nickel	+749	+428
PM03	Oil Rubbed Bronze	+749	+428

Please consult [page 7](#) for the palette of DatesWeiser finishes. Natural stone, non-standard glass and veneer, and other technology options are available. Please email customerservice@datesweiser.com for a custom quote. Consult technical information on [page 274](#) for construction details and technical information.

Highline Boat Conference Table

60"x120"/ 10 Person

02B60X120



Starting Price: **\$17,205**

60/48 x120 table, veneer Tier 1 top with metal edge, open base, powder coat metal finish

Pattern Number: 02B60X120

Step 1. Top Material

V	Veneer
G	Glass
C	Corian
Q	Caesarstone

Step 2. Metal Finish

MC __	Powder Coat	+0
PM01	Polished Chrome	+294
PM02	Satin Nickel	+294
PM03	Oil Rubbed Bronze	+294

Step 3. Top Finish

T1 __	Veneer Tier 1	+0
T2 __	Veneer Tier 2	+1,086
T3 __	Veneer Tier 3	+3,418
GC01	Clear Glass, back painted, white	+5,477
GC __	Clear Glass, back painted, color	+7,998
GE01	Etched matte Glass, back painted, white	+6,815
GE __	Etched matte Glass, back painted, color	+9,485
CS01	Corian Glacier White	+11,165
QS __	Caesarstone	+22,512

Step 4. Power & Connectivity Access: Optional

TMHW	Tabletop, Metal lid, Hardwired, Qty 2	+3,996
TMPI	Tabletop, Metal lid, Plug In, Qty 2	+3,498
UMHW	Undermount, Hardwired, Qty 6	+5,340
UMPI	Undermount, Plug In, Qty 6	+3,864

Step 5. Microphone and/or Grommet Accommodations: Optional

MA __	Microphone hole (factory cut)	Qty __ x 321 each
GM __	2" Grommet Hole (factory cut), liner, lid, in matching metal finish	Qty __ x 423 each

Wire Management Column (sold separately)

Required with any technology selection

Pattern Number: 02WMC6X6	508
Pattern Number: 02WMC10X10	1,065

Step 1. Metal Finish for Wire Management Column

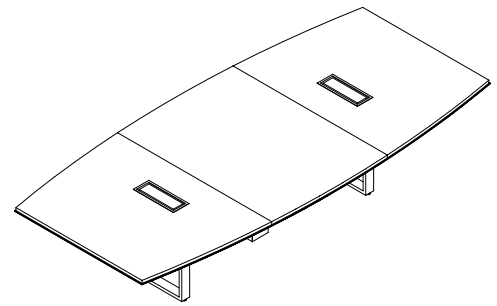
		6x6	10x10
MC __	Powder Coat	+0	+0
PM01	Polished Chrome	+749	+428
PM02	Satin Nickel	+749	+428
PM03	Oil Rubbed Bronze	+749	+428

Please consult [page 7](#) for the palette of DatesWeiser finishes. Natural stone, non-standard glass and veneer, and other technology options are available. Please email customerservice@datesweiser.com for a custom quote. Consult technical information on [page 274](#) for construction details and technical information.

Highline Boat Conference Table

60"x132"/ 10 Person

02B60X132



Starting Price: **\$20,296**

60/48x132 table, veneer Tier 1 top with metal edge, open base, powder coat metal finish

Pattern Number: 02B60X132

Step 1. Top Material

V	Veneer
G	Glass
C	Corian
Q	Caesarstone

Step 2. Metal Finish

MC __	Powder Coat	+0
PM01	Polished Chrome	+444
PM02	Satin Nickel	+444
PM03	Oil Rubbed Bronze	+444

Step 3. Top Finish

T1 __	Veneer Tier 1	+0
T2 __	Veneer Tier 2	+1,182
T3 __	Veneer Tier 3	+3,595
GC01	Clear Glass, back painted, white	+6,516
GC __	Clear Glass, back painted, color	+9,496
GE01	Etched matte Glass, back painted, white	+7,1065
GE __	Etched matte Glass, back painted, color	+11,138
CS01	Corian Glacier White	+13,038
QS __	Caesarstone	+26,371

Step 4. Power & Connectivity Access: Optional

TMHW	Tabletop, Metal lid, Hardwired, Qty 2	+3,996
TMPI	Tabletop, Metal lid, Plug In, Qty 2	+3,498
UMHW	Undermount, Hardwired, Qty 6	+5,340
UMPI	Undermount, Plug In, Qty 6	+3,864

Step 5. Microphone and/or Grommet Accommodations: Optional

MA __	Microphone hole (factory cut)	Qty __ x 321 each
GM __	2" Grommet Hole (factory cut), liner, lid, in matching metal finish	Qty __ x 423 each

Wire Management Column (sold separately)

Required with any technology selection

Pattern Number: 02WMC6X6	508
Pattern Number: 02WMC10X10	1,065

Step 1. Metal Finish for Wire Management Column

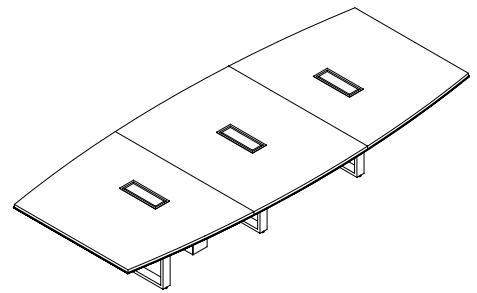
		6x6	10x10
MC __	Powder Coat	+0	+0
PM01	Polished Chrome	+749	+428
PM02	Satin Nickel	+749	+428
PM03	Oil Rubbed Bronze	+749	+428

Please consult [page 7](#) for the palette of DatesWeiser finishes. Natural stone, non-standard glass and veneer, and other technology options are available. Please email customerservice@datesweiser.com for a custom quote. Consult technical information on [page 274](#) for construction details and technical information.

Highline Boat Conference Table

60"x144"/ 10 Person

02B60X144



Starting Price: **\$21,355**

60/48x144 table, veneer Tier 1 top with metal edge, open base, powder coat metal finish

Pattern Number: 02B60X144

Step 1. Top Material

V	Veneer
G	Glass
C	Corian
Q	Caesarstone

Step 2. Metal Finish

MC __	Powder Coat	+0
PM01	Polished Chrome	+444
PM02	Satin Nickel	+444
PM03	Oil Rubbed Bronze	+444

Step 3. Top Finish

T1 __	Veneer Tier 1	+0
T2 __	Veneer Tier 2	+1,305
T3 __	Veneer Tier 3	+3,884
GC01	Clear Glass, back painted, white	+7,027
GC __	Clear Glass, back painted, color	+10,181
GE01	Etched matte Glass, back painted, white	+8,673
GE __	Etched matte Glass, back painted, color	+12,011
CS01	Corian Glacier White	+14,065
QS __	Caesarstone	+28,233

Step 4. Power & Connectivity Access: Optional

TMHW	Tabletop, Metal lid, Hardwired, Qty 3	+5,994
TMPI	Tabletop, Metal lid, Plug In, Qty 3	+5,247
UMHW	Undermount, Hardwired, Qty 6	+5,340
UMPI	Undermount, Plug In, Qty 6	+3,864

Step 5. Microphone and/or Grommet Accommodations: Optional

MA __	Microphone hole (factory cut)	Qty __ x 321 each
GM __	2" Grommet Hole (factory cut), liner, lid, in matching metal finish	Qty __ x 423 each

Wire Management Column (sold separately)

Required with any technology selection

Pattern Number: 02WMC6X6	508
Pattern Number: 02WMC10X10	1,065

Step 1. Metal Finish for Wire Management Column

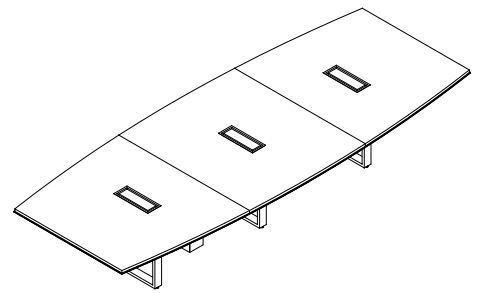
		6x6	10x10
MC __	Powder Coat	+0	+0
PM01	Polished Chrome	+749	+428
PM02	Satin Nickel	+749	+428
PM03	Oil Rubbed Bronze	+749	+428

Please consult [page 7](#) for the palette of DatesWeiser finishes. Natural stone, non-standard glass and veneer, and other technology options are available. Please email customerservice@datesweiser.com for a custom quote. Consult technical information on [page 274](#) for construction details and technical information.

Highline Boat Conference Table

60"x156"/ 10 Person

02B60X156



Starting Price: **\$22,043**

60/48x156 table, veneer Tier 1 top with metal edge, open base, powder coat metal finish

Pattern Number: 02B60X156

Step 1. Top Material

V	Veneer
G	Glass
C	Corian
Q	Caesarstone

Step 2. Metal Finish

MC __	Powder Coat	+0
PM01	Polished Chrome	+444
PM02	Satin Nickel	+444
PM03	Oil Rubbed Bronze	+444

Step 3. Top Finish

T1 __	Veneer Tier 1	+0
T2 __	Veneer Tier 2	+1,412
T3 __	Veneer Tier 3	+4,221
GC01	Clear Glass, back painted, white	+7,580
GC __	Clear Glass, back painted, color	+10,871
GE01	Etched matte Glass, back painted, white	+9,375
GE __	Etched matte Glass, back painted, color	+12,867
CS01	Corian Glacier White	+15,066
QS __	Caesarstone	+29,909

Step 4. Power & Connectivity Access: Optional

TMHW	Tabletop, Metal lid, Hardwired, Qty 3	+5,994
TMPI	Tabletop, Metal lid, Plug In, Qty 3	+5,247
UMHW	Undermount, Hardwired, Qty 6	+5,340
UMPI	Undermount, Plug In, Qty 6	+3,864

Step 5. Microphone and/or Grommet Accommodations: Optional

MA __	Microphone hole (factory cut)	Qty __ x 321 each
GM __	2" Grommet Hole (factory cut), liner, lid, in matching metal finish	Qty __ x 423 each

Wire Management Column (sold separately)

Required with any technology selection

Pattern Number: 02WMC6X6	508
Pattern Number: 02WMC10X10	1,065

Step 1. Metal Finish for Wire Management Column

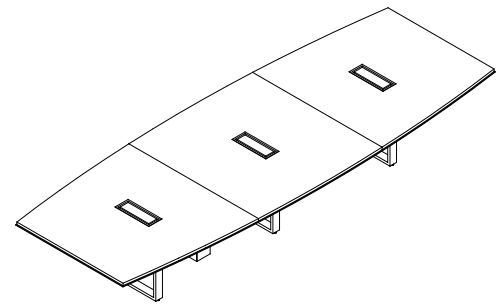
		6x6	10x10
MC __	Powder Coat	+0	+0
PM01	Polished Chrome	+749	+428
PM02	Satin Nickel	+749	+428
PM03	Oil Rubbed Bronze	+749	+428

Please consult [page 7](#) for the palette of DatesWeiser finishes. Natural stone, non-standard glass and veneer, and other technology options are available. Please email customerservice@datesweiser.com for a custom quote. Consult technical information on [page 274](#) for construction details and technical information.

Highline Boat Conference Table

60"x168"/ 12 Person

02B60X168



Starting Price: **\$22,727**

60/48x168 table, veneer Tier 1 top with metal edge, open base, powder coat metal finish

Pattern Number: 02B60X168

Step 1. Top Material

V	Veneer
G	Glass
C	Corian
Q	Caesarstone

Step 2. Metal Finish

MC __	Powder Coat	+0
PM01	Polished Chrome	+444
PM02	Satin Nickel	+444
PM03	Oil Rubbed Bronze	+444

Step 3. Top Finish

T1 __	Veneer Tier 1	+0
T2 __	Veneer Tier 2	+1,557
T3 __	Veneer Tier 3	+4,574
GC01	Clear Glass, back painted, white	+8,114
GC __	Clear Glass, back painted, color	+11,540
GE01	Etched matte Glass, back painted, white	+9,986
GE __	Etched matte Glass, back painted, color	+13,621
CS01	Corian Glacier White	+16,007
QS __	Caesarstone	+31,501

Step 4. Power & Connectivity Access: Optional

TMHW	Tabletop, Metal lid, Hardwired, Qty 3	+5,994
TMPI	Tabletop, Metal lid, Plug In, Qty 3	+5,247
UMHW	Undermount, Hardwired, Qty 6	+5,340
UMPI	Undermount, Plug In, Qty 6	+3,864

Step 5. Microphone and/or Grommet Accommodations: Optional

MA __	Microphone hole (factory cut)	Qty __ x 321 each
GM __	2" Grommet Hole (factory cut), liner, lid, in matching metal finish	Qty __ x 423 each

Wire Management Column (sold separately)

Required with any technology selection

Pattern Number: 02WMC6X6	508
Pattern Number: 02WMC10X10	1,065

Step 1. Metal Finish for Wire Management Column

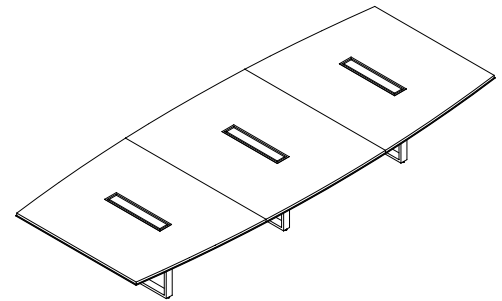
		6x6	10x10
MC __	Powder Coat	+0	+0
PM01	Polished Chrome	+749	+428
PM02	Satin Nickel	+749	+428
PM03	Oil Rubbed Bronze	+749	+428

Please consult [page 7](#) for the palette of DatesWeiser finishes. Natural stone, non-standard glass and veneer, and other technology options are available. Please email customerservice@datesweiser.com for a custom quote. Consult technical information on [page 274](#) for construction details and technical information.

Highline Boat Conference Table

72"x180"/ 16 Person

02B72X180



Starting Price: **\$25,625**

72/60x180 table, veneer Tier 1 top with metal edge, open base, powder coat metal finish

Pattern Number: 02B72X180

Step 1. Top Material

V	Veneer
G	Glass
C	Corian
Q	Caesarstone

Step 2. Metal Finish

MC __	Powder Coat	+0
PM01	Polished Chrome	+444
PM02	Satin Nickel	+444
PM03	Oil Rubbed Bronze	+444

Step 3. Top Finish

T1 __	Veneer Tier 1	+0
T2 __	Veneer Tier 2	+1,959
T3 __	Veneer Tier 3	+5,832
GC01	Clear Glass, back painted, white	+10,159
GC __	Clear Glass, back painted, color	+14,135
GE01	Etched matte Glass, back painted, white	+12,576
GE __	Etched matte Glass, back painted, color	+16,821
CS01	Corian Glacier White	+19,918
QS __	Caesarstone*	+38,136

Step 4. Power & Connectivity Access: Optional

TMHW	Tabletop, Metal lid, Hardwired, Qty 3	+7,884
TMPI	Tabletop, Metal lid, Plug In, Qty 3	+7,149
UMHW	Undermount, Hardwired, Qty 8	+7,120
UMPI	Undermount, Plug In, Qty 8	+5,152

Step 5. Microphone and/or Grommet Accommodations: Optional

MA __	Microphone hole (factory cut)	Qty __ x 321 each
GM __	2" Grommet Hole (factory cut), liner, lid, in matching metal finish	Qty __ x 423 each

Wire Management Column (sold separately)

Required with any technology selection

Pattern Number: 02WMC6X6	508
Pattern Number: 02WMC10X10	1,065

Step 1. Metal Finish for Wire Management Column

		6x6	10x10
MC __	Powder Coat	+0	+0
PM01	Polished Chrome	+749	+428
PM02	Satin Nickel	+749	+428
PM03	Oil Rubbed Bronze	+749	+428

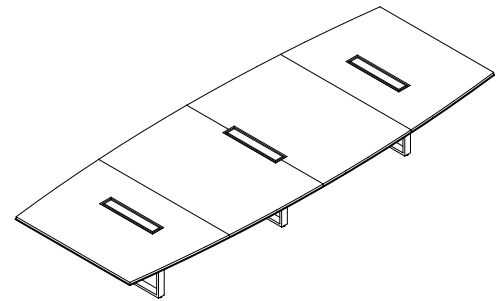
Please consult [page 7](#) for the palette of DatesWeiser finishes. Natural stone, non-standard glass and veneer, and other technology options are available. Please email customerservice@datesweiser.com for a custom quote. Consult technical information on [page 274](#) for construction details and technical information.

*Tables with a Caesarstone finish require a 4-section top.

Highline Boat Conference Table

72"x192"/ 16 Person

02B72X192



Starting Price: **\$27,917**

72/60x192 table, veneer Tier 1 top with metal edge, open base, powder coat metal finish

Pattern Number: 02B72X192

Step 1. Top Material

V	Veneer
G	Glass
C	Corian
Q	Caesarstone

Step 2. Metal Finish

MC __	Powder Coat	+0
PM01	Polished Chrome	+589
PM02	Satin Nickel	+589
PM03	Oil Rubbed Bronze	+589

Step 3. Top Finish

T1 __	Veneer Tier 1	+0
T2 __	Veneer Tier 2	+2,071
T3 __	Veneer Tier 3	+6,233
GC01	Clear Glass, back painted, white	+11,215
GC __	Clear Glass, back painted, color	+15,564
GE01	Etched matte Glass, back painted, white	+13,830
GE __	Etched matte Glass, back painted, color	+18,469
CS01	Corian Glacier White	+21,743
QS __	Caesarstone	+41,606

Step 4. Power & Connectivity Access: Optional

TMHW	Tabletop, Metal lid, Hardwired, Qty 3	+7,884
TMPI	Tabletop, Metal lid, Plug In, Qty 3	+7,149
UMHW	Undermount, Hardwired, Qty 8	+7,120
UMPI	Undermount, Plug In, Qty 8	+5,152

Step 5. Microphone and/or Grommet Accommodations: Optional

MA __	Microphone hole (factory cut)	Qty __ x 321 each
GM __	2" Grommet Hole (factory cut), liner, lid, in matching metal finish	Qty __ x 423 each

Wire Management Column (sold separately)

Required with any technology selection

Pattern Number: 02WMC6X6	508
Pattern Number: 02WMC10X10	1,065

Step 1. Metal Finish for Wire Management Column

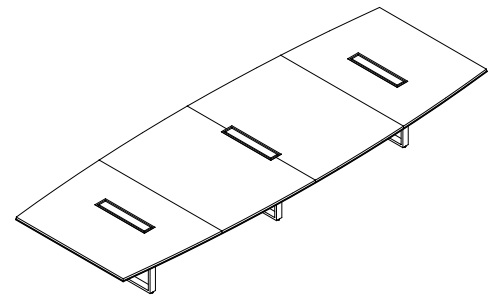
		6x6	10x10
MC __	Powder Coat	+0	+0
PM01	Polished Chrome	+749	+428
PM02	Satin Nickel	+749	+428
PM03	Oil Rubbed Bronze	+749	+428

Please consult [page 7](#) for the palette of DatesWeiser finishes. Natural stone, non-standard glass and veneer, and other technology options are available. Please email customerservice@datesweiser.com for a custom quote. Consult technical information on [page 274](#) for construction details and technical information.

Highline Boat Conference Table

72"x204"/ 16 Person

02B72X204



Starting Price: **\$28,741**

72/60x204 table, veneer Tier 1 top with metal edge, open base, powder coat metal finish

Pattern Number: 02B72X204

Step 1. Top Material

V	Veneer
G	Glass
C	Corian
Q	Caesarstone

Step 2. Metal Finish

MC __	Powder Coat	+0
PM01	Polished Chrome	+589
PM02	Satin Nickel	+589
PM03	Oil Rubbed Bronze	+589

Step 3. Top Finish

T1 __	Veneer Tier 1	+0
T2 __	Veneer Tier 2	+2,204
T3 __	Veneer Tier 3	+6,650
GC01	Clear Glass, back painted, white	+11,807
GC __	Clear Glass, back painted, color	+16,312
GE01	Etched matte Glass, back painted, white	+14,551
GE __	Etched matte Glass, back painted, color	+19,362
CS01	Corian Glacier White	+22,914
QS __	Caesarstone	+43,576

Step 4. Power & Connectivity Access: Optional

TMHW	Tabletop, Metal lid, Hardwired, Qty 3	+7,884
TMPI	Tabletop, Metal lid, Plug In, Qty 3	+7,149
UMHW	Undermount, Hardwired, Qty 8	+7,120
UMPI	Undermount, Plug In, Qty 8	+5,152

Step 5. Microphone and/or Grommet Accommodations: Optional

MA __	Microphone hole (factory cut)	Qty __ x 321 each
GM __	2" Grommet Hole (factory cut), liner, lid, in matching metal finish	Qty __ x 423 each

Wire Management Column (sold separately)

Required with any technology selection

Pattern Number: 02WMC6X6	508
Pattern Number: 02WMC10X10	1,065

Step 1. Metal Finish for Wire Management Column

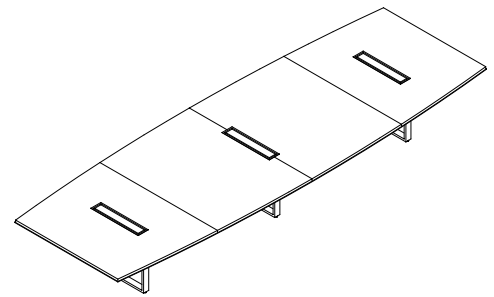
		6x6	10x10
MC __	Powder Coat	+0	+0
PM01	Polished Chrome	+749	+428
PM02	Satin Nickel	+749	+428
PM03	Oil Rubbed Bronze	+749	+428

Please consult [page 7](#) for the palette of DatesWeiser finishes. Natural stone, non-standard glass and veneer, and other technology options are available. Please email customerservice@datesweiser.com for a custom quote. Consult technical information on [page 274](#) for construction details and technical information.

Highline Boat Conference Table

72"x216"/ 18 Person

02B72X216



Starting Price: **\$29,622**

72/60x216 table, veneer Tier 1 top with metal edge, open base, powder coat metal finish

Pattern Number: 02B72X216

Step 1. Top Material

V	Veneer
G	Glass
C	Corian
Q	Caesarstone

Step 2. Metal Finish

MC __	Powder Coat	+0
PM01	Polished Chrome	+589
PM02	Satin Nickel	+589
PM03	Oil Rubbed Bronze	+589

Step 3. Top Finish

T1 __	Veneer Tier 1	+0
T2 __	Veneer Tier 2	+2,365
T3 __	Veneer Tier 3	+7,046
GC01	Clear Glass, back painted, white	+12,450
GC __	Clear Glass, back painted, color	+17,125
GE01	Etched matte Glass, back painted, white	+15,364
GE __	Etched matte Glass, back painted, color	+20,362
CS01	Corian Glacier White	+24,139
QS __	Caesarstone	+45,644

Step 4. Power & Connectivity Access: Optional

TMHW	Tabletop, Metal lid, Hardwired, Qty 3	+7,884
TMPI	Tabletop, Metal lid, Plug In, Qty 3	+7,149
UMHW	Undermount, Hardwired, Qty 8	+7,120
UMPI	Undermount, Plug In, Qty 8	+5,152

Step 5. Microphone and/or Grommet Accommodations: Optional

MA __	Microphone hole (factory cut)	Qty __ x 321 each
GM __	2" Grommet Hole (factory cut), liner, lid, in matching metal finish	Qty __ x 423 each

Wire Management Column (sold separately)

Required with any technology selection

Pattern Number: 02WMC6X6	508
Pattern Number: 02WMC10X10	1,065

Step 1. Metal Finish for Wire Management Column

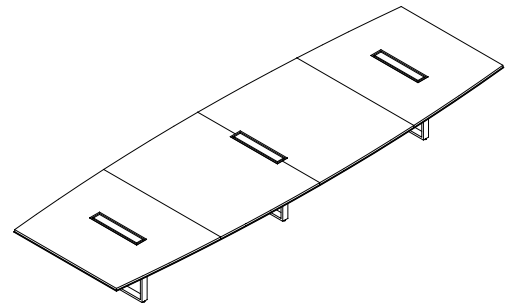
		6x6	10x10
MC __	Powder Coat	+0	+0
PM01	Polished Chrome	+749	+428
PM02	Satin Nickel	+749	+428
PM03	Oil Rubbed Bronze	+749	+428

Please consult [page 7](#) for the palette of DatesWeiser finishes. Natural stone, non-standard glass and veneer, and other technology options are available. Please email customerservice@datesweiser.com for a custom quote. Consult technical information on [page 274](#) for construction details and technical information.

Highline Boat Conference Table

72"x228"/ 18 Person

02B72X228



Starting Price: **\$32,824**

72/60x228 table, veneer Tier 1 top with metal edge, open base, powder coat metal finish

Pattern Number: 02B72X228

Step 1. Top Material

V	Veneer
G	Glass
C	Corian
Q	Caesarstone

Step 2. Metal Finish

MC __	Powder Coat	+0
PM01	Polished Chrome	+589
PM02	Satin Nickel	+589
PM03	Oil Rubbed Bronze	+589

Step 3. Top Finish

T1 __	Veneer Tier 1	+0
T2 __	Veneer Tier 2	+2,456
T3 __	Veneer Tier 3	+7,378
GC01	Clear Glass, back painted, white	+13,343
GC __	Clear Glass, back painted, color	+18,474
GE01	Etched matte Glass, back painted, white	+16,392
GE __	Etched matte Glass, back painted, color	+21,860
CS01	Corian Glacier White	+25,825
QS __	Caesarstone*	+49,284

Step 4. Power & Connectivity Access: Optional

TMHW	Tabletop, Metal lid, Hardwired, Qty 3	+7,884
TMPI	Tabletop, Metal lid, Plug In, Qty 3	+7,149
UMHW	Undermount, Hardwired, Qty 8	+7,120
UMPI	Undermount, Plug In, Qty 8	+5,152

Step 5. Microphone and/or Grommet Accommodations: Optional

MA __	Microphone hole (factory cut)	Qty __ x 321 each
GM __	2" Grommet Hole (factory cut), liner, lid, in matching metal finish	Qty __ x 423 each

Wire Management Column (sold separately)

Required with any technology selection

Pattern Number: 02WMC6X6	508
Pattern Number: 02WMC10X10	1,065

Step 1. Metal Finish for Wire Management Column

		6x6	10x10
MC __	Powder Coat	+0	+0
PM01	Polished Chrome	+749	+428
PM02	Satin Nickel	+749	+428
PM03	Oil Rubbed Bronze	+749	+428

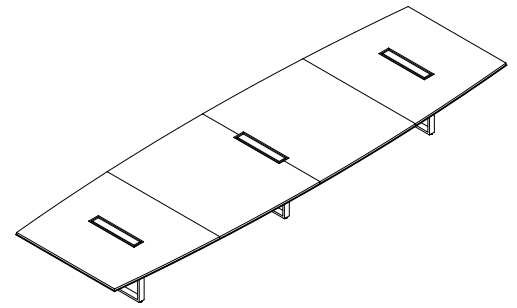
Please consult [page 7](#) for the palette of DatesWeiser finishes. Natural stone, non-standard glass and veneer, and other technology options are available. Please email customerservice@datesweiser.com for a custom quote. Consult technical information on [page 274](#) for construction details and technical information.

*Tables with a Caesarstone finish require a 5-section top.

Highline Boat Conference Table

72"x240"/ 20 Person

02B72X240



Starting Price: **\$33,556**

72/60x240 table, veneer Tier 1 top with metal edge, open base, powder coat metal finish

Pattern Number: 02B72X240

Step 1. Top Material

V	Veneer
G	Glass
C	Corian
Q	Caesarstone

Step 2. Metal Finish

MC __	Powder Coat	+0
PM01	Polished Chrome	+589
PM02	Satin Nickel	+589
PM03	Oil Rubbed Bronze	+589

Step 3. Top Finish

T1 __	Veneer Tier 1	+0
T2 __	Veneer Tier 2	+2,627
T3 __	Veneer Tier 3	+7,827
GC01	Clear Glass, back painted, white	+13,964
GC __	Clear Glass, back painted, color	+19,244
GE01	Etched matte Glass, back painted, white	+17,184
GE __	Etched matte Glass, back painted, color	+22,823
CS01	Corian Glacier White	+26,954
QS __	Caesarstone*	+51,157

Step 4. Power & Connectivity Access: Optional

TMHW	Tabletop, Metal lid, Hardwired, Qty 3	+7,884
TMPI	Tabletop, Metal lid, Plug In, Qty 3	+7,149
UMHW	Undermount, Hardwired, Qty 10	+8,900
UMPI	Undermount, Plug In, Qty 10	+6,440

Step 5. Microphone and/or Grommet Accommodations: Optional

MA __	Microphone hole (factory cut)	Qty __ x 321 each
GM __	2" Grommet Hole (factory cut), liner, lid, in matching metal finish	Qty __ x 423 each

Wire Management Column (sold separately)

Required with any technology selection

Pattern Number: 02WMC6X6	508
Pattern Number: 02WMC10X10	1,065

Step 1. Metal Finish for Wire Management Column

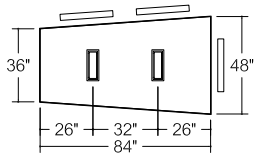
		6x6	10x10
MC __	Powder Coat	+0	+0
PM01	Polished Chrome	+749	+428
PM02	Satin Nickel	+749	+428
PM03	Oil Rubbed Bronze	+749	+428

Please consult [page 7](#) for the palette of DatesWeiser finishes. Natural stone, non-standard glass and veneer, and other technology options are available. Please email customerservice@datesweiser.com for a custom quote. Consult technical information on [page 274](#) for construction details and technical information.

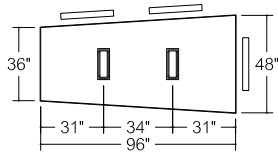
*Tables with a Caesarstone finish require a 5-section top.

Highline Trapezoid Tables Index

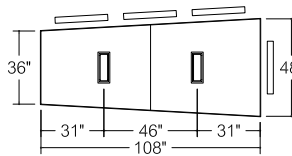
48"-72" width



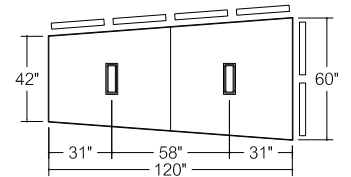
O2T48X84
6 Person Table



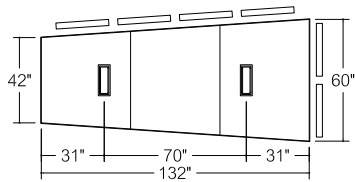
O2T48X96
6 Person Table



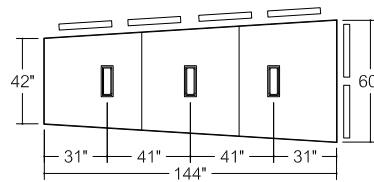
O2T48X108
8 Person Table



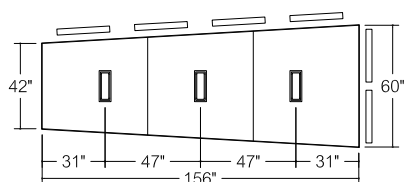
O2T60X120
11 Person Table



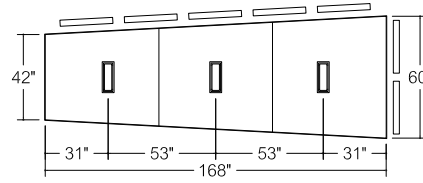
O2T60X132
11 Person Table



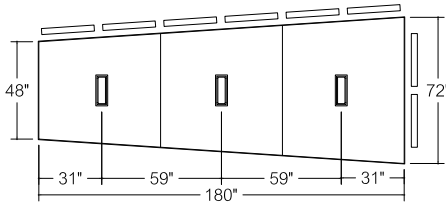
O2T60X144
11 Person Table



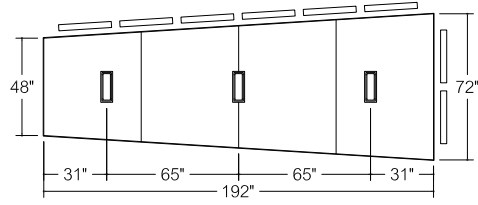
O2T60X156
13 Person Table



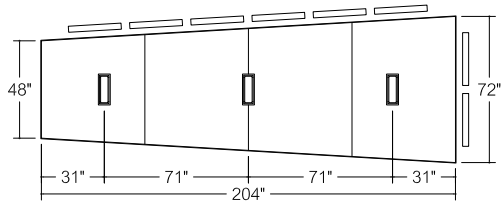
O2T60X168
13 Person Table



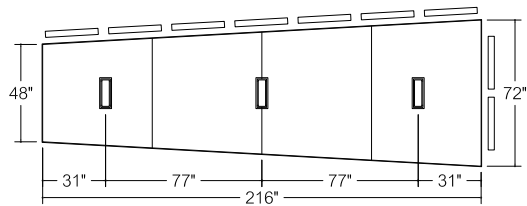
O2T72X180
15 Person Table



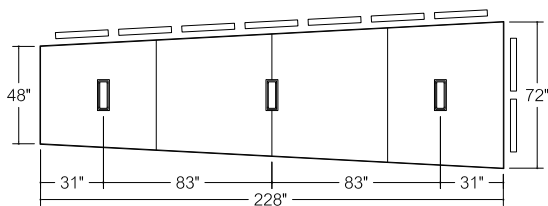
O2T72X192
15 Person Table



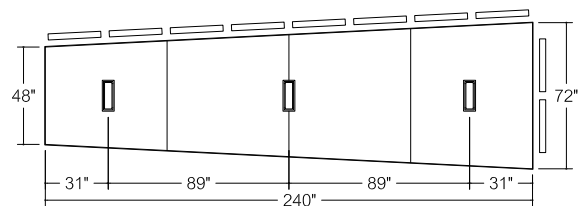
O2T72X204
15 Person Table



O2T72X216
17 Person Table



O2T72X228
17 Person Table

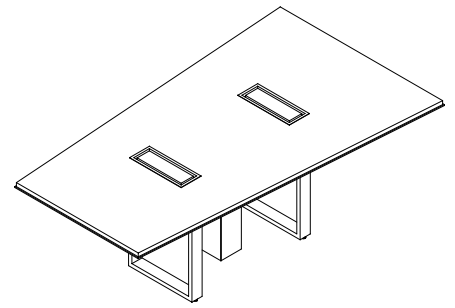


O2T72X240
19 Person Table

Highline Trapezoid Conference Table

48"x84"/ 6 Person

02T48X84



Starting Price: **\$10,150**

48/36x84 table, veneer Tier 1 top with metal edge, open base, powder coat metal finish

Pattern Number: 02T48X84

Step 1. Top Material

V	Veneer
G	Glass
C	Corian
Q	Caesarstone

Step 2. Metal Finish

MC __	Powder Coat	+0
PM01	Polished Chrome	+294
PM02	Satin Nickel	+294
PM03	Oil Rubbed Bronze	+294

Step 3. Top Finish

T1 __	Veneer Tier 1	+0
T2 __	Veneer Tier 2	+535
T3 __	Veneer Tier 3	+1,600
GC01	Clear Glass, back painted, white	+2,162
GC __	Clear Glass, back painted, color	+3,531
GE01	Etched matte Glass, back painted, white	+2,827
GE __	Etched matte Glass, back painted, color	+4,269
CS01	Corian Glacier White	+5,083
QS __	Caesarstone	+11,175

Step 4. Power & Connectivity Access: Optional

TMHW	Tabletop, Metal lid, Hardwired, Qty 2	+3,996
TMPI	Tabletop, Metal lid, Plug In, Qty 2	+3,498
UMHW	Undermount, Hardwired, Qty 4	+3,560
UMPI	Undermount, Plug In, Qty 4	+2,576

Step 5. Microphone and/or Grommet Accommodations: Optional

MA __	Microphone hole (factory cut)	Qty __ x 321 each
GM __	2" Grommet Hole (factory cut), liner, lid, in matching metal finish	Qty __ x 423 each

Wire Management Column (sold separately)

Required with any technology selection

Pattern Number: 02WMC6X6	508
Pattern Number: 02WMC10X10	1,065

Step 1. Metal Finish for Wire Management Column

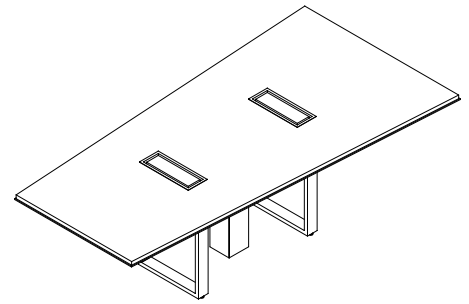
		6x6	10x10
MC __	Powder Coat	+0	+0
PM01	Polished Chrome	+749	+428
PM02	Satin Nickel	+749	+428
PM03	Oil Rubbed Bronze	+749	+428

Please consult [page 7](#) for the palette of DatesWeiser finishes. Natural stone, non-standard glass and veneer, and other technology options are available. Please email customerservice@datesweiser.com for a custom quote. Consult technical information on [page 274](#) for construction details and technical information.

Highline Trapezoid Conference Table

48"x96"/ 6 Person

02T48X96



Starting Price: **\$10,892**

48/36x96 table, veneer Tier 1 top with metal edge, open base, powder coat metal finish

Pattern Number: 02T48X96

Step 1. Top Material

V	Veneer
G	Glass
C	Corian
Q	Caesarstone

Step 2. Metal Finish

MC __	Powder Coat	+0
PM01	Polished Chrome	+294
PM02	Satin Nickel	+294
PM03	Oil Rubbed Bronze	+294

Step 3. Top Finish

T1 __	Veneer Tier 1	+0
T2 __	Veneer Tier 2	+615
T3 __	Veneer Tier 3	+1,824
GC01	Clear Glass, back painted, white	+2,204
GC __	Clear Glass, back painted, color	+3,659
GE01	Etched matte Glass, back painted, white	+2,960
GE __	Etched matte Glass, back painted, color	+4,499
CS01	Corian Glacier White	+5,419
QS __	Caesarstone	+11,944

Step 4. Power & Connectivity Access: Optional

TMHW	Tabletop, Metal lid, Hardwired, Qty 2	+3,996
TMPI	Tabletop, Metal lid, Plug In, Qty 2	+3,498
UMHW	Undermount, Hardwired, Qty 4	+3,560
UMPI	Undermount, Plug In, Qty 4	+2,576

Step 5. Microphone and/or Grommet Accommodations: Optional

MA __	Microphone hole (factory cut)	Qty __ x 321 each
GM __	2" Grommet Hole (factory cut), liner, lid, in matching metal finish	Qty __ x 423 each

Wire Management Column (sold separately)

Required with any technology selection

Pattern Number: 02WMC6X6	508
Pattern Number: 02WMC10X10	1,065

Step 1. Metal Finish for Wire Management Column

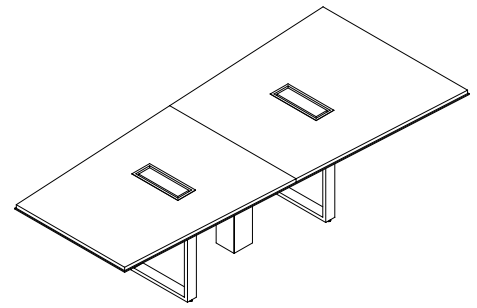
		6x6	10x10
MC __	Powder Coat	+0	+0
PM01	Polished Chrome	+749	+428
PM02	Satin Nickel	+749	+428
PM03	Oil Rubbed Bronze	+749	+428

Please consult [page 7](#) for the palette of DatesWeiser finishes. Natural stone, non-standard glass and veneer, and other technology options are available. Please email customerservice@datesweiser.com for a custom quote. Consult technical information on [page 274](#) for construction details and technical information.

Highline Trapezoid Conference Table

48"x108"/ 8 Person

02T48X108



Starting Price: **\$11,286**

48/36x108 table, veneer Tier 1 top with metal edge, open base, powder coat metal finish

Pattern Number: 02T48X108

Step 1. Top Material

V	Veneer
G	Glass
C	Corian
Q	Caesarstone

Step 2. Metal Finish

MC __	Powder Coat	+0
PM01	Polished Chrome	+294
PM02	Satin Nickel	+294
PM03	Oil Rubbed Bronze	+294

Step 3. Top Finish

T1 __	Veneer Tier 1	+0
T2 __	Veneer Tier 2	+691
T3 __	Veneer Tier 3	+2,055
GC01	Clear Glass, back painted, white	+3,249
GC __	Clear Glass, back painted, color	+4,864
GE01	Etched matte Glass, back painted, white	+4,101
GE __	Etched matte Glass, back painted, color	+5,810
CS01	Corian Glacier White	+6,848
QS __	Caesarstone	+14,102

Step 4. Power & Connectivity Access: Optional

TMHW	Tabletop, Metal lid, Hardwired, Qty 2	+3,996
TMPI	Tabletop, Metal lid, Plug In, Qty 2	+3,498
UMHW	Undermount, Hardwired, Qty 4	+3,560
UMPI	Undermount, Plug In, Qty 4	+2,576

Step 5. Microphone and/or Grommet Accommodations: Optional

MA __	Microphone hole (factory cut)	Qty __ x 321 each
GM __	2" Grommet Hole (factory cut), liner, lid, in matching metal finish	Qty __ x 423 each

Wire Management Column (sold separately)

Required with any technology selection

Pattern Number: 02WMC6X6	508
Pattern Number: 02WMC10X10	1,065

Step 1. Metal Finish for Wire Management Column

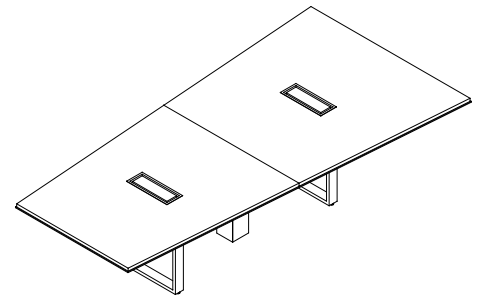
		6x6	10x10
MC __	Powder Coat	+0	+0
PM01	Polished Chrome	+749	+428
PM02	Satin Nickel	+749	+428
PM03	Oil Rubbed Bronze	+749	+428

Please consult [page 7](#) for the palette of DatesWeiser finishes. Natural stone, non-standard glass and veneer, and other technology options are available. Please email customerservice@datesweiser.com for a custom quote. Consult technical information on [page 274](#) for construction details and technical information.

Highline Trapezoid Conference Table

60"x120"/ 11 Person

02T60X120



Starting Price: **\$14,046**

60/42x120 table, veneer Tier 1 top with metal edge, open base, powder coat metal finish

Pattern Number: 02T60X120

Step 1. Top Material

V	Veneer
G	Glass
C	Corian
Q	Caesarstone

Step 2. Metal Finish

MC __	Powder Coat	+0
PM01	Polished Chrome	+294
PM02	Satin Nickel	+294
PM03	Oil Rubbed Bronze	+294

Step 3. Top Finish

T1 __	Veneer Tier 1	+0
T2 __	Veneer Tier 2	+1,081
T3 __	Veneer Tier 3	+3,263
GC01	Clear Glass, back painted, white	+5,837
GC __	Clear Glass, back painted, color	+8,046
GE01	Etched matte Glass, back painted, white	+6,939
GE __	Etched matte Glass, back painted, color	+9,271
CS01	Corian Glacier White	+10,973
QS __	Caesarstone	+20,979

Step 4. Power & Connectivity Access: Optional

TMHW	Tabletop, Metal lid, Hardwired, Qty 2	+3,996
TMPI	Tabletop, Metal lid, Plug In, Qty 2	+3,498
UMHW	Undermount, Hardwired, Qty 6	+5,340
UMPI	Undermount, Plug In, Qty 6	+3,864

Step 5. Microphone and/or Grommet Accommodations: Optional

MA __	Microphone hole (factory cut)	Qty __ x 321 each
GM __	2" Grommet Hole (factory cut), liner, lid, in matching metal finish	Qty __ x 423 each

Wire Management Column (sold separately)

Required with any technology selection

Pattern Number: 02WMC6X6	508
Pattern Number: 02WMC10X10	1,065

Step 1. Metal Finish for Wire Management Column

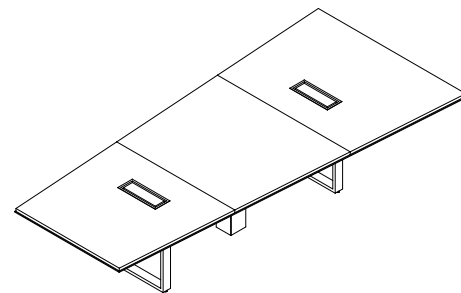
		6x6	10x10
MC __	Powder Coat	+0	+0
PM01	Polished Chrome	+749	+428
PM02	Satin Nickel	+749	+428
PM03	Oil Rubbed Bronze	+749	+428

Please consult [page 7](#) for the palette of DatesWeiser finishes. Natural stone, non-standard glass and veneer, and other technology options are available. Please email customerservice@datesweiser.com for a custom quote. Consult technical information on [page 274](#) for construction details and technical information.

Highline Trapezoid Conference Table

60"x132"/ 11 Person

02T60X132



Starting Price: **\$16,925**

60/42x132 table, veneer Tier 1 top with metal edge, open base, powder coat metal finish

Pattern Number: 02T60X132

Step 1. Top Material

V	Veneer
G	Glass
C	Corian
Q	Caesarstone

Step 2. Metal Finish

MC __	Powder Coat	+0
PM01	Polished Chrome	+444
PM02	Satin Nickel	+444
PM03	Oil Rubbed Bronze	+444

Step 3. Top Finish

T1 __	Veneer Tier 1	+0
T2 __	Veneer Tier 2	+1,188
T3 __	Veneer Tier 3	+3,563
GC01	Clear Glass, back painted, white	+6,715
GC __	Clear Glass, back painted, color	+9,341
GE01	Etched matte Glass, back painted, white	+8,188
GE __	Etched matte Glass, back painted, color	+10,978
CS01	Corian Glacier White	+12,835
QS __	Caesarstone	+24,739

Step 4. Power & Connectivity Access: Optional

TMHW	Tabletop, Metal lid, Hardwired, Qty 2	+3,996
TMPI	Tabletop, Metal lid, Plug In, Qty 2	+3,498
UMHW	Undermount, Hardwired, Qty 6	+5,340
UMPI	Undermount, Plug In, Qty 6	+3,864

Step 5. Microphone and/or Grommet Accommodations: Optional

MA __	Microphone hole (factory cut)	Qty __ x 321 each
GM __	2" Grommet Hole (factory cut), liner, lid, in matching metal finish	Qty __ x 423 each

Wire Management Column (sold separately)

Required with any technology selection

Pattern Number: 02WMC6X6	508
Pattern Number: 02WMC10X10	1,065

Step 1. Metal Finish for Wire Management Column

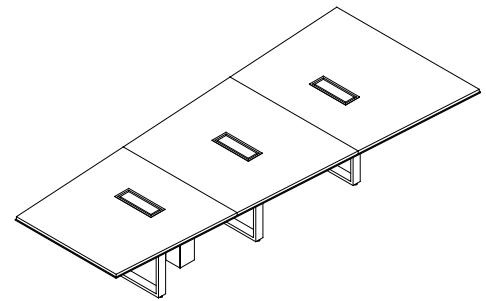
		6x6	10x10
MC __	Powder Coat	+0	+0
PM01	Polished Chrome	+749	+428
PM02	Satin Nickel	+749	+428
PM03	Oil Rubbed Bronze	+749	+428

Please consult [page 7](#) for the palette of DatesWeiser finishes. Natural stone, non-standard glass and veneer, and other technology options are available. Please email customerservice@datesweiser.com for a custom quote. Consult technical information on [page 274](#) for construction details and technical information.

Highline Trapezoid Conference Table

60"x144"/ 11 Person

02T60X144



Starting Price: **\$17,763**

60/42x144 table, veneer Tier 1 top with metal edge, open base, powder coat metal finish

Pattern Number: 02T60X144

Step 1. Top Material

V	Veneer
G	Glass
C	Corian
Q	Caesarstone

Step 2. Metal Finish

MC __	Powder Coat	+0
PM01	Polished Chrome	+444
PM02	Satin Nickel	+444
PM03	Oil Rubbed Bronze	+444

Step 3. Top Finish

T1 __	Veneer Tier 1	+0
T2 __	Veneer Tier 2	+1,295
T3 __	Veneer Tier 3	+3,911
GC01	Clear Glass, back painted, white	+7,256
GC __	Clear Glass, back painted, color	+10,037
GE01	Etched matte Glass, back painted, white	+8,989
GE __	Etched matte Glass, back painted, color	+11,963
CS01	Corian Glacier White	+13,862
QS __	Caesarstone	+26,511

Step 4. Power & Connectivity Access: Optional

TMHW	Tabletop, Metal lid, Hardwired, Qty 3	+5,994
TMPI	Tabletop, Metal lid, Plug In, Qty 3	+5,247
UMHW	Undermount, Hardwired, Qty 6	+5,340
UMPI	Undermount, Plug In, Qty 6	+3,864

Step 5. Microphone and/or Grommet Accommodations: Optional

MA __	Microphone hole (factory cut)	Qty __ x 321 each
GM __	2" Grommet Hole (factory cut), liner, lid, in matching metal finish	Qty __ x 423 each

Wire Management Column (sold separately)

Required with any technology selection

Pattern Number: 02WMC6X6	508
Pattern Number: 02WMC10X10	1,065

Step 1. Metal Finish for Wire Management Column

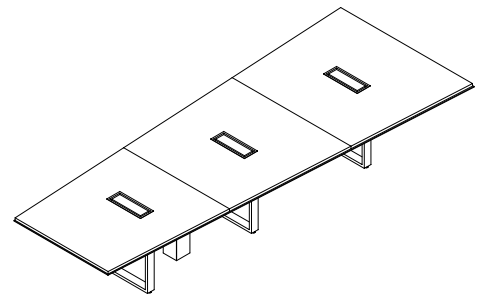
		6x6	10x10
MC __	Powder Coat	+0	+0
PM01	Polished Chrome	+749	+428
PM02	Satin Nickel	+749	+428
PM03	Oil Rubbed Bronze	+749	+428

Please consult [page 7](#) for the palette of DatesWeiser finishes. Natural stone, non-standard glass and veneer, and other technology options are available. Please email customerservice@datesweiser.com for a custom quote. Consult technical information on [page 274](#) for construction details and technical information.

Highline Trapezoid Conference Table

60"x156"/ 13 Person

02T60X156



Starting Price: **\$18,201**

60/42x156 table, veneer Tier 1 top with metal edge, open base, powder coat metal finish

Pattern Number: 02T60X156

Step 1. Top Material

V	Veneer
G	Glass
C	Corian
Q	Caesarstone

Step 2. Metal Finish

MC __	Powder Coat	+0
PM01	Polished Chrome	+444
PM02	Satin Nickel	+444
PM03	Oil Rubbed Bronze	+444

Step 3. Top Finish

T1 __	Veneer Tier 1	+0
T2 __	Veneer Tier 2	+1,444
T3 __	Veneer Tier 3	+4,312
GC01	Clear Glass, back painted, white	+7,873
GC __	Clear Glass, back painted, color	+10,769
GE01	Etched matte Glass, back painted, white	+9,625
GE __	Etched matte Glass, back painted, color	+12,717
CS01	Corian Glacier White	+14,932
QS __	Caesarstone	+28,185

Step 4. Power & Connectivity Access: Optional

TMHW	Tabletop, Metal lid, Hardwired, Qty 3	+5,994
TMPI	Tabletop, Metal lid, Plug In, Qty 3	+5,247
UMHW	Undermount, Hardwired, Qty 6	+5,340
UMPI	Undermount, Plug In, Qty 6	+3,864

Step 5. Microphone and/or Grommet Accommodations: Optional

MA __	Microphone hole (factory cut)	Qty __ x 321 each
GM __	2" Grommet Hole (factory cut), liner, lid, in matching metal finish	Qty __ x 423 each

Wire Management Column (sold separately)

Required with any technology selection

Pattern Number: 02WMC6X6	508
Pattern Number: 02WMC10X10	1,065

Step 1. Metal Finish for Wire Management Column

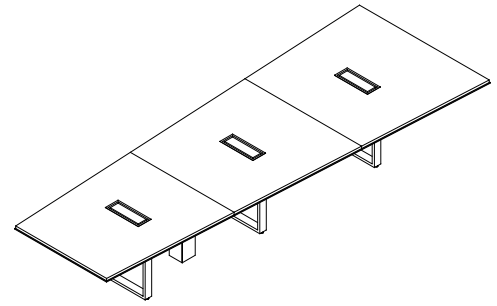
		6x6	10x10
MC __	Powder Coat	+0	+0
PM01	Polished Chrome	+749	+428
PM02	Satin Nickel	+749	+428
PM03	Oil Rubbed Bronze	+749	+428

Please consult [page 7](#) for the palette of DatesWeiser finishes. Natural stone, non-standard glass and veneer, and other technology options are available. Please email customerservice@datesweiser.com for a custom quote. Consult technical information on [page 274](#) for construction details and technical information.

Highline Trapezoid Conference Table

60"x168"/ 13 Person

02T60X168



Starting Price: **\$19,404**

60/42x168 table, veneer Tier 1 top with metal edge, open base, powder coat metal finish

Pattern Number: 02T60X168

Step 1. Top Material

V	Veneer
G	Glass
C	Corian
Q	Caesarstone

Step 2. Metal Finish

MC __	Powder Coat	+0
PM01	Polished Chrome	+444
PM02	Satin Nickel	+444
PM03	Oil Rubbed Bronze	+444

Step 3. Top Finish

T1 __	Veneer Tier 1	+0
T2 __	Veneer Tier 2	+1,525
T3 __	Veneer Tier 3	+4,580
GC01	Clear Glass, back painted, white	+8,374
GC __	Clear Glass, back painted, color	+11,460
GE01	Etched matte Glass, back painted, white	+10,271
GE __	Etched matte Glass, back painted, color	+13,568
CS01	Corian Glacier White	+15,970
QS __	Caesarstone	+30,120

Step 4. Power & Connectivity Access: Optional

TMHW	Tabletop, Metal lid, Hardwired, Qty 3	+5,994
TMPI	Tabletop, Metal lid, Plug In, Qty 3	+5,247
UMHW	Undermount, Hardwired, Qty 6	+5,340
UMPI	Undermount, Plug In, Qty 6	+3,864

Step 5. Microphone and/or Grommet Accommodations: Optional

MA __	Microphone hole (factory cut)	Qty __ x 321 each
GM __	2" Grommet Hole (factory cut), liner, lid, in matching metal finish	Qty __ x 423 each

Wire Management Column (sold separately)

Required with any technology selection

Pattern Number: 02WMC6X6	508
Pattern Number: 02WMC10X10	1,065

Step 1. Metal Finish for Wire Management Column

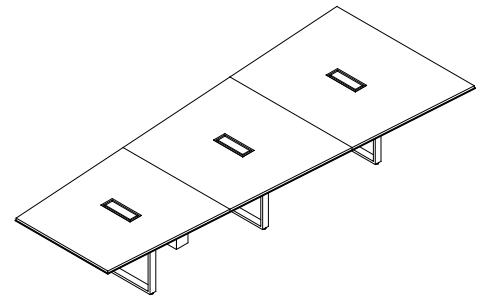
		6x6	10x10
MC __	Powder Coat	+0	+0
PM01	Polished Chrome	+749	+428
PM02	Satin Nickel	+749	+428
PM03	Oil Rubbed Bronze	+749	+428

Please consult [page 7](#) for the palette of DatesWeiser finishes. Natural stone, non-standard glass and veneer, and other technology options are available. Please email customerservice@datesweiser.com for a custom quote. Consult technical information on [page 274](#) for construction details and technical information.

Highline Trapezoid Conference Table

72"x180"/ 15 Person

02T72X180



Starting Price: **\$23,079**

72/48x180 table, veneer Tier 1 top with metal edge, open base, powder coat metal finish

Pattern Number: 02T72X180

Step 1. Top Material

V	Veneer
G	Glass
C	Corian
Q	Caesarstone

Step 2. Metal Finish

MC __	Powder Coat	+0
PM01	Polished Chrome	+444
PM02	Satin Nickel	+444
PM03	Oil Rubbed Bronze	+444

Step 3. Top Finish

T1 __	Veneer Tier 1	+0
T2 __	Veneer Tier 2	+1,942
T3 __	Veneer Tier 3	+5,842
GC01	Clear Glass, back painted, white	+10,220
GC __	Clear Glass, back painted, color	+13,921
GE01	Etched matte Glass, back painted, white	+12,715
GE __	Etched matte Glass, back painted, color	+16,692
CS01	Corian Glacier White	+19,709
QS __	Caesarstone*	+36,824

Step 4. Power & Connectivity Access: Optional

TMHW	Tabletop, Metal lid, Hardwired, Qty 3	+5,994
TMPI	Tabletop, Metal lid, Plug In, Qty 3	+5,247
UMHW	Undermount, Hardwired, Qty 8	+7,120
UMPI	Undermount, Plug In, Qty 8	+5,152

Step 5. Microphone and/or Grommet Accommodations: Optional

MA __	Microphone hole (factory cut)	Qty __ x 321 each
GM __	2" Grommet Hole (factory cut), liner, lid, in matching metal finish	Qty __ x 423 each

Wire Management Column (sold separately)

Required with any technology selection

Pattern Number: 02WMC6X6	508
Pattern Number: 02WMC10X10	1,065

Step 1. Metal Finish for Wire Management Column

		6x6	10x10
MC __	Powder Coat	+0	+0
PM01	Polished Chrome	+749	+428
PM02	Satin Nickel	+749	+428
PM03	Oil Rubbed Bronze	+749	+428

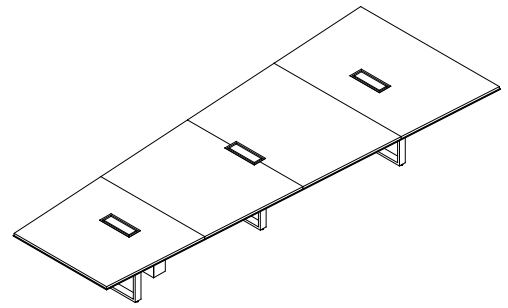
Please consult [page 7](#) for the palette of DatesWeiser finishes. Natural stone, non-standard glass and veneer, and other technology options are available. Please email customerservice@datesweiser.com for a custom quote. Consult technical information on [page 274](#) for construction details and technical information.

*Tables with a Caesarstone finish require a 4-section top.

Highline Trapezoid Conference Table

72"x192"/ 15 Person

02T72X192



Starting Price: **\$23,936**

72/48x192 table, veneer Tier 1 top with metal edge, open base, powder coat metal finish

Pattern Number: 02T72X192

Step 1. Top Material

V	Veneer
G	Glass
C	Corian
Q	Caesarstone

Step 2. Metal Finish

MC __	Powder Coat	+0
PM01	Polished Chrome	+589
PM02	Satin Nickel	+589
PM03	Oil Rubbed Bronze	+589

Step 3. Top Finish

T1 __	Veneer Tier 1	+0
T2 __	Veneer Tier 2	+2,086
T3 __	Veneer Tier 3	+6,270
GC01	Clear Glass, back painted, white	+11,670
GC __	Clear Glass, back painted, color	+15,627
GE01	Etched matte Glass, back painted, white	+14,290
GE __	Etched matte Glass, back painted, color	+18,538
CS01	Corian Glacier White	+21,780
QS __	Caesarstone	+40,065

Step 4. Power & Connectivity Access: Optional

TMHW	Tabletop, Metal lid, Hardwired, Qty 3	+5,994
TMPI	Tabletop, Metal lid, Plug In, Qty 3	+5,247
UMHW	Undermount, Hardwired, Qty 8	+7,120
UMPI	Undermount, Plug In, Qty 8	+5,152

Step 5. Microphone and/or Grommet Accommodations: Optional

MA __	Microphone hole (factory cut)	Qty __ x 321 each
GM __	2" Grommet Hole (factory cut), liner, lid, in matching metal finish	Qty __ x 423 each

Wire Management Column (sold separately)

Required with any technology selection

Pattern Number: 02WMC6X6	508
Pattern Number: 02WMC10X10	1,065

Step 1. Metal Finish for Wire Management Column

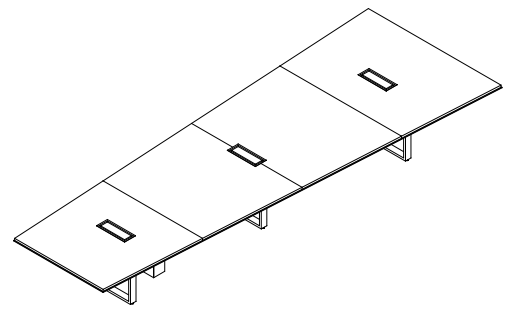
		6x6	10x10
MC __	Powder Coat	+0	+0
PM01	Polished Chrome	+749	+428
PM02	Satin Nickel	+749	+428
PM03	Oil Rubbed Bronze	+749	+428

Please consult [page 7](#) for the palette of DatesWeiser finishes. Natural stone, non-standard glass and veneer, and other technology options are available. Please email customerservice@datesweiser.com for a custom quote. Consult technical information on [page 274](#) for construction details and technical information.

Highline Trapezoid Conference Table

72"x204"/ 15 Person

02T72X204



Starting Price: **\$24,639**

72/48x204 table, veneer Tier 1 top with metal edge, open base, powder coat metal finish

Pattern Number: 02T72X204

Step 1. Top Material

V	Veneer
G	Glass
C	Corian
Q	Caesarstone

Step 2. Metal Finish

MC __	Powder Coat	+0
PM01	Polished Chrome	+589
PM02	Satin Nickel	+589
PM03	Oil Rubbed Bronze	+589

Step 3. Top Finish

T1 __	Veneer Tier 1	+0
T2 __	Veneer Tier 2	+2,225
T3 __	Veneer Tier 3	+6,661
GC01	Clear Glass, back painted, white	+12,255
GC __	Clear Glass, back painted, color	+16,355
GE01	Etched matte Glass, back painted, white	+15,047
GE __	Etched matte Glass, back painted, color	+19,458
CS01	Corian Glacier White	+22,914
QS __	Caesarstone	+41,934

Step 4. Power & Connectivity Access: Optional

TMHW	Tabletop, Metal lid, Hardwired, Qty 3	+5,994
TMPI	Tabletop, Metal lid, Plug In, Qty 3	+5,247
UMHW	Undermount, Hardwired, Qty 8	+7,120
UMPI	Undermount, Plug In, Qty 8	+5,152

Step 5. Microphone and/or Grommet Accommodations: Optional

MA __	Microphone hole (factory cut)	Qty __ x 321 each
GM __	2" Grommet Hole (factory cut), liner, lid, in matching metal finish	Qty __ x 423 each

Wire Management Column (sold separately)

Required with any technology selection

Pattern Number: 02WMC6X6	508
Pattern Number: 02WMC10X10	1,065

Step 1. Metal Finish for Wire Management Column

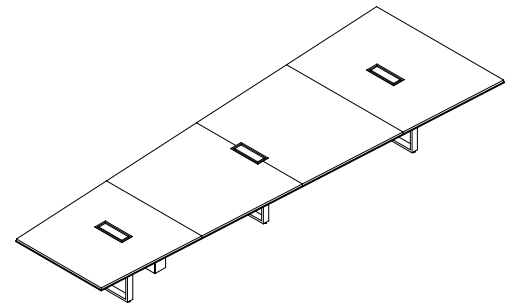
		6x6	10x10
MC __	Powder Coat	+0	+0
PM01	Polished Chrome	+749	+428
PM02	Satin Nickel	+749	+428
PM03	Oil Rubbed Bronze	+749	+428

Please consult [page 7](#) for the palette of DatesWeiser finishes. Natural stone, non-standard glass and veneer, and other technology options are available. Please email customerservice@datesweiser.com for a custom quote. Consult technical information on [page 274](#) for construction details and technical information.

Highline Trapezoid Conference Table

72"x216"/ 17 Person

02T72X216



Starting Price: **\$25,352**

72/48x216 table, veneer Tier 1 top with metal edge, open base, powder coat metal finish

Pattern Number: 02T72X216

Step 1. Top Material

V	Veneer
G	Glass
C	Corian
Q	Caesarstone

Step 2. Metal Finish

MC __	Powder Coat	+0
PM01	Polished Chrome	+589
PM02	Satin Nickel	+589
PM03	Oil Rubbed Bronze	+589

Step 3. Top Finish

T1 __	Veneer Tier 1	+0
T2 __	Veneer Tier 2	+2,337
T3 __	Veneer Tier 3	+7,029
GC01	Clear Glass, back painted, white	+12,887
GC __	Clear Glass, back painted, color	+17,136
GE01	Etched matte Glass, back painted, white	+15,814
GE __	Etched matte Glass, back painted, color	+20,388
CS01	Corian Glacier White	+24,069
QS __	Caesarstone	+43,837

Step 4. Power & Connectivity Access: Optional

TMHW	Tabletop, Metal lid, Hardwired, Qty 3	+5,994
TMPI	Tabletop, Metal lid, Plug In, Qty 3	+5,247
UMHW	Undermount, Hardwired, Qty 8	+7,120
UMPI	Undermount, Plug In, Qty 8	+5,152

Step 5. Microphone and/or Grommet Accommodations: Optional

MA __	Microphone hole (factory cut)	Qty __ x 321 each
GM __	2" Grommet Hole (factory cut), liner, lid, in matching metal finish	Qty __ x 423 each

Wire Management Column (sold separately)

Required with any technology selection

Pattern Number: 02WMC6X6	508
Pattern Number: 02WMC10X10	1,065

Step 1. Metal Finish for Wire Management Column

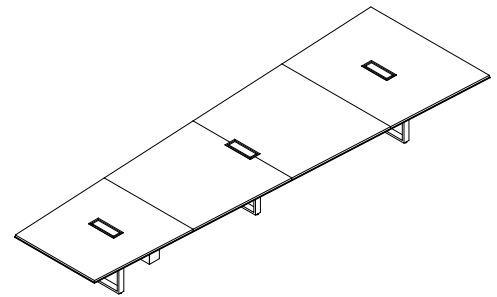
		6x6	10x10
MC __	Powder Coat	+0	+0
PM01	Polished Chrome	+749	+428
PM02	Satin Nickel	+749	+428
PM03	Oil Rubbed Bronze	+749	+428

Please consult [page 7](#) for the palette of DatesWeiser finishes. Natural stone, non-standard glass and veneer, and other technology options are available. Please email customerservice@datesweiser.com for a custom quote. Consult technical information on [page 274](#) for construction details and technical information.

Highline Trapezoid Conference Table

72"x228"/ 17 Person

02T72X228



Starting Price: **\$26,040**

72/48x228 table, veneer Tier 1 top with metal edge, open base, powder coat metal finish

Pattern Number: 02T72X228

Step 1. Top Material

V	Veneer
G	Glass
C	Corian
Q	Caesarstone

Step 2. Metal Finish

MC __	Powder Coat	+0
PM01	Polished Chrome	+589
PM02	Satin Nickel	+589
PM03	Oil Rubbed Bronze	+589

Step 3. Top Finish

T1 __	Veneer Tier 1	+0
T2 __	Veneer Tier 2	+2,477
T3 __	Veneer Tier 3	+7,399
GC01	Clear Glass, back painted, white	+13,569
GC __	Clear Glass, back painted, color	+17,970
GE01	Etched matte Glass, back painted, white	+16,674
GE __	Etched matte Glass, back painted, color	+21,421
CS01	Corian Glacier White	+25,326
QS __	Caesarstone*	+45,873

Step 4. Power & Connectivity Access: Optional

TMHW	Tabletop, Metal lid, Hardwired, Qty 3	+5,994
TMPI	Tabletop, Metal lid, Plug In, Qty 3	+5,247
UMHW	Undermount, Hardwired, Qty 8	+7,120
UMPI	Undermount, Plug In, Qty 8	+5,152

Step 5. Microphone and/or Grommet Accommodations: Optional

MA __	Microphone hole (factory cut)	Qty __ x 321 each
GM __	2" Grommet Hole (factory cut), liner, lid, in matching metal finish	Qty __ x 423 each

Wire Management Column (sold separately)

Required with any technology selection

Pattern Number: 02WMC6X6	508
Pattern Number: 02WMC10X10	1,065

Step 1. Metal Finish for Wire Management Column

		6x6	10x10
MC __	Powder Coat	+0	+0
PM01	Polished Chrome	+749	+428
PM02	Satin Nickel	+749	+428
PM03	Oil Rubbed Bronze	+749	+428

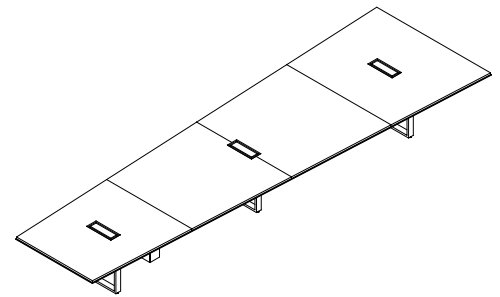
Please consult [page 7](#) for the palette of DatesWeiser finishes. Natural stone, non-standard glass and veneer, and other technology options are available. Please email customerservice@datesweiser.com for a custom quote. Consult technical information on [page 274](#) for construction details and technical information.

*Tables with a Caesarstone finish require a 5-section top.

Highline Trapezoid Conference Table

72"x240"/ 19 Person

02T72X240



Starting Price: **\$26,748**

72/48x240 table, veneer Tier 1 top with metal edge, open base, powder coat metal finish

Pattern Number: 02T72X240

Step 1. Top Material

V	Veneer
G	Glass
C	Corian
Q	Caesarstone

Step 2. Metal Finish

MC __	Powder Coat	+0
PM01	Polished Chrome	+589
PM02	Satin Nickel	+589
PM03	Oil Rubbed Bronze	+589

Step 3. Top Finish

T1 __	Veneer Tier 1	+0
T2 __	Veneer Tier 2	+2,616
T3 __	Veneer Tier 3	+7,800
GC01	Clear Glass, back painted, white	+14,143
GC __	Clear Glass, back painted, color	+18,687
GE01	Etched matte Glass, back painted, white	+17,417
GE __	Etched matte Glass, back painted, color	+22,325
CS01	Corian Glacier White	+26,445
QS __	Caesarstone*	+47,722

Step 4. Power & Connectivity Access: Optional

TMHW	Tabletop, Metal lid, Hardwired, Qty 3	+5,994
TMPI	Tabletop, Metal lid, Plug In, Qty 3	+5,247
UMHW	Undermount, Hardwired, Qty 10	+8,900
UMPI	Undermount, Plug In, Qty 10	+6,440

Step 5. Microphone and/or Grommet Accommodations: Optional

MA __	Microphone hole (factory cut)	Qty __ x 321 each
GM __	2" Grommet Hole (factory cut), liner, lid, in matching metal finish	Qty __ x 423 each

Wire Management Column (sold separately)

Required with any technology selection

Pattern Number: 02WMC6X6	508
Pattern Number: 02WMC10X10	1,065

Step 1. Metal Finish for Wire Management Column

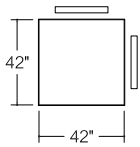
		6x6	10x10
MC __	Powder Coat	+0	+0
PM01	Polished Chrome	+749	+428
PM02	Satin Nickel	+749	+428
PM03	Oil Rubbed Bronze	+749	+428

Please consult [page 7](#) for the palette of DatesWeiser finishes. Natural stone, non-standard glass and veneer, and other technology options are available. Please email customerservice@datesweiser.com for a custom quote. Consult technical information on [page 274](#) for construction details and technical information.

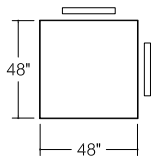
*Tables with a Caesarstone finish require a 5-section top.

Highline Square, Round and Elliptical Meeting Tables Index

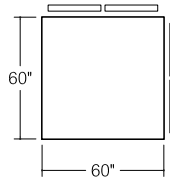
42"-84" width



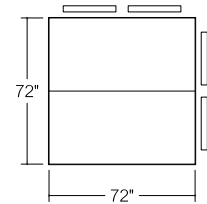
O2M42S
4 Person Table



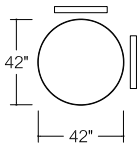
O2M48S
4 Person Table



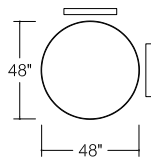
O2M60S
8 Person Table



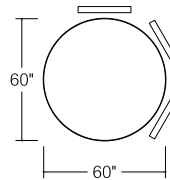
O2M72S
8 Person Table



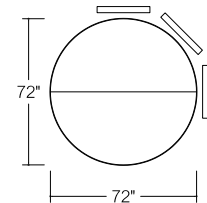
O2M42C
4 Person Table



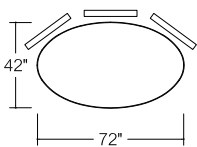
O2M48C
4 Person Table



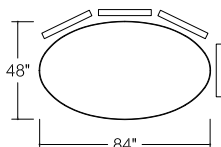
O2M60C
6 Person Table



O2M72C
8 Person Table



O2M42E
6 Person Table

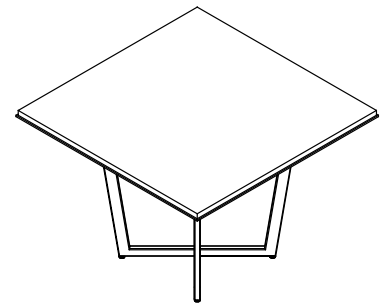


O2M48E
8 Person Table

Highline Square Meeting Table

42"x42"/ 4 Person

02M42S



Starting Price: \$6,982

42x42 table, veneer Tier 1 top with metal edge, open x base, powder coat metal finish

Pattern Number: 02M42S

Step 1. Top Material

V	Veneer
G	Glass
C	Corian
Q	Caesarstone

Step 2. Metal Finish

MC __	Powder Coat	+0
PM01	Polished Chrome	+294
PM02	Satin Nickel	+294
PM03	Oil Rubbed Bronze	+294

Step 3. Top Finish

T1 __	Veneer Tier 1	+0
T2 __	Veneer Tier 2	+267
T3 __	Veneer Tier 3	+792
GC01	Clear Glass, back painted, white	+438
GC __	Clear Glass, back painted, color	+829
GE01	Etched matte Glass, back painted, white	+667
GE __	Etched matte Glass, back painted, color	+1,070
CS01	Corian Glacier White	+1,246
QS __	Caesarstone	+4,538

Step 4. Microphone and/or Grommet Accommodations: Optional

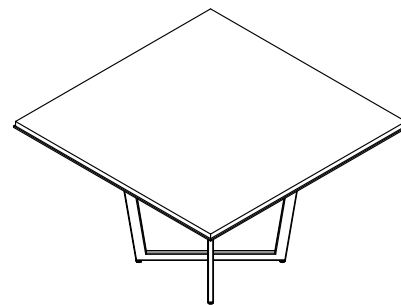
MA __	Microphone hole (factory cut)	Qty __ x 321 each
GM __	2" Grommet Hole (factory cut), liner, lid, in matching metal finish	Qty __ x 423 each

Please consult [page 7](#) for the palette of DatesWeiser finishes. Natural stone, non-standard glass and veneer, and other technology options are available. Please email customerservice@datesweiser.com for a custom quote. Consult technical information on [page 282](#) for construction details and technical information.

Highline Square Meeting Table

48"x48"/ 4 Person

02M48S



Starting Price: **\$7,411**

48x48 table, veneer Tier 1 top with metal edge, open x base, powder coat metal finish

Pattern Number: 02M48S

Please consult [page 7](#) for the palette of DatesWeiser finishes. Natural stone, non-standard glass and veneer, and other technology options are available. Please email customerservice@datesweiser.com for a custom quote. Consult technical information on [page 282](#) for construction details and technical information.

Step 1. Top Material

V	Veneer	
G	Glass	
C	Corian	
Q	Caesarstone	

Step 2. Metal Finish

MC __	Powder Coat	+0
PM01	Polished Chrome	+294
PM02	Satin Nickel	+294
PM03	Oil Rubbed Bronze	+294

Step 3. Top Finish

T1 __	Veneer Tier 1	+0
T2 __	Veneer Tier 2	+358
T3 __	Veneer Tier 3	+1,038
GC01	Clear Glass, back painted, white	+676
GC __	Clear Glass, back painted, color	+1,102
GE01	Etched matte Glass, back painted, white	+981
GE __	Etched matte Glass, back painted, color	+1,423
CS01	Corian Glacier White	+1,669
QS __	Caesarstone	+5,301

Step 4. Power & Connectivity Access: Optional; included wire management base.

TMHW	Tabletop, Metal lid, Hardwired, Qty 1	+7,934
TMPI	Tabletop, Metal lid, Plug In, Qty 1	+7,688
UMHW	Undermount, Hardwired, Qty 2	+7,365
UMPI	Undermount, Plug In, Qty 2	+6,873

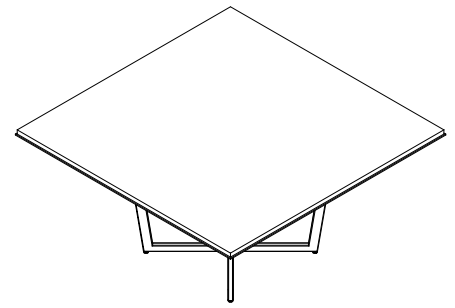
Step 5. Microphone and/or Grommet Accommodations: Optional

MA __	Microphone hole (factory cut)	Qty __ x 321 each
GM __	2" Grommet Hole (factory cut), liner, lid, in matching metal finish	Qty __ x 423 each

Highline Square Meeting Table

60"x60"/ 8 Person

02M60S



Starting Price: **\$9,279**

60x60 table, veneer Tier 1 top with metal edge, open x base, powder coat metal finish

Pattern Number: 02M60S

Please consult **page 7** for the palette of DatesWeiser finishes. Natural stone, non-standard glass and veneer, and other technology options are available. Please email **customerservice@datesweiser.com** for a custom quote. Consult technical information on **page 282** for construction details and technical information.

Step 1. Top Material

V	Veneer
G	Glass
C	Corian
Q	Caesarstone

*Tables with a Caesarstone finish require a 2-section top.

Step 2. Metal Finish

MC __	Powder Coat	+0
PM01	Polished Chrome	+294
PM02	Satin Nickel	+294
PM03	Oil Rubbed Bronze	+294

Step 3. Top Finish

T1 __	Veneer Tier 1	+0
T2 __	Veneer Tier 2	+540
T3 __	Veneer Tier 3	+1,632
GC01	Clear Glass, back painted, white	+1,360
GC __	Clear Glass, back painted, color	+1,921
GE01	Etched matte Glass, back painted, white	+1,843
GE __	Etched matte Glass, back painted, color	+2,429
CS01	Corian Glacier White	+2,814
QS __	Caesarstone*	+7,651

Step 4. Power & Connectivity Access: Optional; included wire management base.

TMHW	Tabletop, Metal lid, Hardwired, Qty 1	+8,683
TMPI	Tabletop, Metal lid, Plug In, Qty 1	+8,437
UMHW	Undermount, Hardwired, Qty 2	+8,115
UMPI	Undermount, Plug In, Qty 2	+7,957

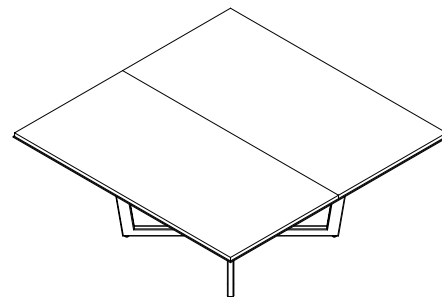
Step 5. Microphone and/or Grommet Accommodations: Optional

MA __	Microphone hole (factory cut)	Qty __ x 321 each
GM __	2" Grommet Hole (factory cut), liner, lid, in matching metal finish	Qty __ x 423 each

Highline Square Meeting Table

72"x72"/ 8 Person

02M72S



Starting Price: **\$10,786**

72x72 table, veneer Tier 1 top with metal edge, open x base, powder coat metal finish

Pattern Number: 02M72S

Please consult **page 7** for the palette of DatesWeiser finishes. Natural stone, non-standard glass and veneer, and other technology options are available. Please email **customerservice@datesweiser.com** for a custom quote. Consult technical information on **page 282** for construction details and technical information.

Step 1. Top Material

V	Veneer
G	Glass
C	Corian
Q	Caesarstone

Step 2. Metal Finish

MC __	Powder Coat	+0
PM01	Polished Chrome	+294
PM02	Satin Nickel	+294
PM03	Oil Rubbed Bronze	+294

Step 3. Top Finish

T1 __	Veneer Tier 1	+0
T2 __	Veneer Tier 2	+770
T3 __	Veneer Tier 3	+2,338
GC01	Clear Glass, back painted, white	+2,083
GC __	Clear Glass, back painted, color	+2,760
GE01	Etched matte Glass, back painted, white	+2,769
GE __	Etched matte Glass, back painted, color	+3,482
CS01	Corian Glacier White	+4,082
QS __	Caesarstone	+10,029

Step 4. Power & Connectivity Access: Optional; included wire management base.

TMHW	Tabletop, Metal lid, Hardwired, Qty 1	+8,683
TMPI	Tabletop, Metal lid, Plug In, Qty 1	+8,437
UMHW	Undermount, Hardwired, Qty 4	+9,894
UMPI	Undermount, Plug In, Qty 4	+8,910

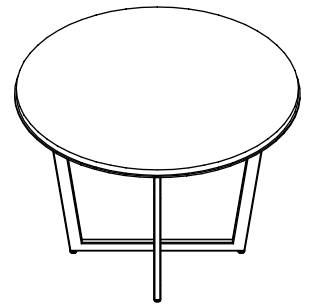
Step 5. Microphone and/or Grommet Accommodations: Optional

MA __	Microphone hole (factory cut)	Qty __ x 321 each
GM __	2" Grommet hole (factory cut), liner, lid, in matching metal finish	Qty __ x 423 each

Highline Round Meeting Table

42"/ 4 Person

02M42C



Starting Price: \$9,149

42" table, veneer Tier 1 top with metal edge, open x base, powder coat metal finish

Pattern Number: 02M42C

Step 1. Top Material

V	Veneer
G	Glass
C	Corian
Q	Caesarstone

Step 2. Metal Finish

MC __	Powder Coat	+0
PM01	Polished Chrome	+294
PM02	Satin Nickel	+294
PM03	Oil Rubbed Bronze	+294

Step 3. Top Finish

T1 __	Veneer Tier 1	+0
T2 __	Veneer Tier 2	+256
T3 __	Veneer Tier 3	+797
GC01	Clear Glass, back painted, white	+940
GC __	Clear Glass, back painted, color	+1,471
GE01	Etched matte Glass, back painted, white	+1,306
GE __	Etched matte Glass, back painted, color	+1,856
CS01	Corian Glacier White	+3,140
QS __	Caesarstone	+8,056

Step 4. Microphone and/or Grommet Accommodations: Optional

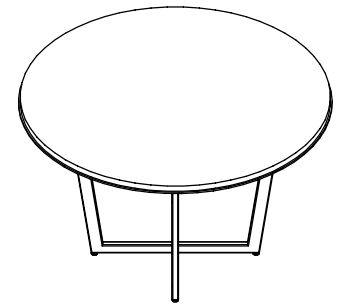
MA __	Microphone hole (factory cut)	Qty __ x 321 each
GM __	2" Grommet hole (factory cut), liner, lid, in matching metal finish	Qty __ x 423 each

Please consult [page 7](#) for the palette of DatesWeiser finishes. Natural stone, non-standard glass and veneer, and other technology options are available. Please email customerservice@datesweiser.com for a custom quote. Consult technical information on [page 282](#) for construction details and technical information.

Highline Round Meeting Table

48"/ 4 Person

02M48C



Starting Price: **\$9,582**

48" table, veneer Tier 1 top with metal edge, open x base, powder coat metal finish

Pattern Number: 02M48C

Please consult **page 7** for the palette of DatesWeiser finishes. Natural stone, non-standard glass and veneer, and other technology options are available. Please email **customerservice@datesweiser.com** for a custom quote. Consult technical information on **page 282** for construction details and technical information.

Step 1. Top Material

V	Veneer
G	Glass
C	Corian
Q	Caesarstone

Step 2. Metal Finish

MC __	Powder Coat	+0
PM01	Polished Chrome	+294
PM02	Satin Nickel	+294
PM03	Oil Rubbed Bronze	+294

Step 3. Top Finish

T1 __	Veneer Tier 1	+0
T2 __	Veneer Tier 2	+337
T3 __	Veneer Tier 3	+1,038
GC01	Clear Glass, back painted, white	+1,219
GC __	Clear Glass, back painted, color	+1,787
GE01	Etched matte Glass, back painted, white	+1,666
GE __	Etched matte Glass, back painted, color	+2,258
CS01	Corian Glacier White	+3,959
QS __	Caesarstone	+9,375

Step 4. Power & Connectivity Access: Optional; included wire management base.

TMHW	Tabletop, Metal lid, Hardwired, Qty 1	+7,934
TMPI	Tabletop, Metal lid, Plug In, Qty 1	+7,688
UMHW	Undermount, Hardwired, Qty 2	+7,365
UMPI	Undermount, Plug In, Qty 2	+6,873

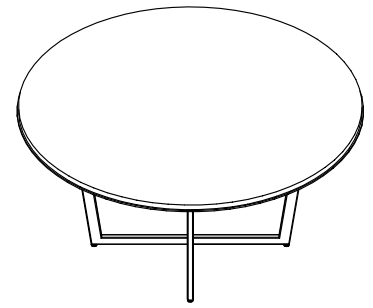
Step 5. Microphone and/or Grommet Accommodations: Optional

MA __	Microphone hole (factory cut)	Qty __ x 321 each
GM __	2" Grommet hole (factory cut), liner, lid, in matching metal finish	Qty __ x 423 each

Highline Round Meeting Table

60"/ 6 Person

02M60C



Starting Price: **\$12,403**

60" table, veneer Tier 1 top with metal edge, open x base, powder coat metal finish

Pattern Number: 02M60C

Please consult [page 7](#) for the palette of DatesWeiser finishes. Natural stone, non-standard glass and veneer, and other technology options are available. Please email customerservice@datesweiser.com for a custom quote. Consult technical information on [page 282](#) for construction details and technical information.

Step 1. Top Material

V	Veneer
G	Glass
C	Corian
Q	Caesarstone

Step 2. Metal Finish

MC __	Powder Coat	+0
PM01	Polished Chrome	+294
PM02	Satin Nickel	+294
PM03	Oil Rubbed Bronze	+294

Step 3. Top Finish

T1 __	Veneer Tier 1	+0
T2 __	Veneer Tier 2	+541
T3 __	Veneer Tier 3	+1,621
GC01	Clear Glass, back painted, white	+2,140
GC __	Clear Glass, back painted, color	+2,905
GE01	Etched matte Glass, back painted, white	+2,847
GE __	Etched matte Glass, back painted, color	+3,649
CS01	Corian Glacier White	+6,324
QS __	Caesarstone*	+13,815

Step 4. Power & Connectivity Access: Optional; all include wire management base

TMHW	Tabletop, Metal lid, Hardwired, Qty 1	+8,683
TMPI	Tabletop, Metal lid, Plug In, Qty 1	+8,437
UMHW	Undermount, Hardwired, Qty 2	+8,115
UMPI	Undermount, Plug In, Qty 2	+7,957

Step 5. Microphone and/or Grommet Accommodations: Optional

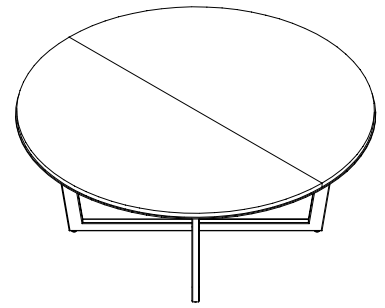
MA __	Microphone hole (factory cut)	Qty __ x 321 each
GM __	2" Grommet hole (factory cut), liner, lid, in matching metal finish	Qty __ x 423 each

*Tables with a Caesarstone finish require a 2-section top.

Highline Round Meeting Table

72"/ 8 Person

02M72C



Starting Price: **\$13,776**

72" table, veneer Tier 1 top with metal edge, open x base, powder coat metal finish

Pattern Number: 02M72C

Please consult **page 7** for the palette of DatesWeiser finishes. Natural stone, non-standard glass and veneer, and other technology options are available. Please email **customerservice@datesweiser.com** for a custom quote. Consult technical information on **page 282** for construction details and technical information.

Step 1. Top Material

V	Veneer
G	Glass
C	Corian
Q	Caesarstone

Step 2. Metal Finish

MC __	Powder Coat	+0
PM01	Polished Chrome	+294
PM02	Satin Nickel	+294
PM03	Oil Rubbed Bronze	+294

Step 3. Top Finish

T1 __	Veneer Tier 1	+0
T2 __	Veneer Tier 2	+787
T3 __	Veneer Tier 3	+2,365
GC01	Clear Glass, back painted, white	+2,996
GC __	Clear Glass, back painted, color	+3,879
GE01	Etched matte Glass, back painted, white	+4,022
GE __	Etched matte Glass, back painted, color	+4,960
CS01	Corian Glacier White	+8,812
QS __	Caesarstone	+17,846

Step 4. Power & Connectivity Access: Optional; all include wire management base

TMHW	Tabletop, Metal lid, Hardwired, Qty 1	+8,683
TMPI	Tabletop, Metal lid, Plug In, Qty 1	+8,437
UMHW	Undermount, Hardwired, Qty 4	+9,894
UMPI	Undermount, Plug In, Qty 4	+8,910

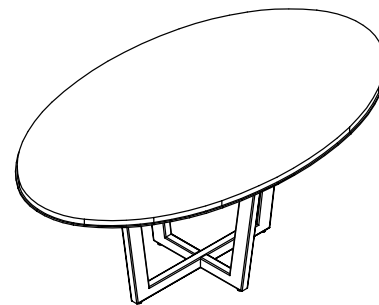
Step 5. Microphone and/or Grommet Accommodations: Optional

MA __	Microphone hole (factory cut)	Qty __ x 321 each
GM __	2" Grommet hole (factory cut), liner, lid, in matching metal finish	Qty __ x 423 each

Highline Elliptical Meeting Table

42"x72"/ 6 Person

02M42E



Starting Price: \$12,981

42x72 table, veneer Tier 1 top with metal edge, open x base, powder coat metal finish

Pattern Number: 02M42E

Step 1. Top Material

V	Veneer
G	Glass
C	Corian
Q	Caesarstone

Step 2. Metal Finish

MC __	Powder Coat	+0
PM01	Polished Chrome	+294
PM02	Satin Nickel	+294
PM03	Oil Rubbed Bronze	+294

Step 3. Top Finish

T1 __	Veneer Tier 1	+0
T2 __	Veneer Tier 2	+444
T3 __	Veneer Tier 3	+1,338
GC01	Clear Glass, back painted, white	+1,598
GC __	Clear Glass, back painted, color	+2,365
GE01	Etched matte Glass, back painted, white	+2,223
GE __	Etched matte Glass, back painted, color	+3,023
CS01	Corian Glacier White	+4,232
QS __	Caesarstone	+11,118

Step 4. Microphone and/or Grommet Accommodations: Optional

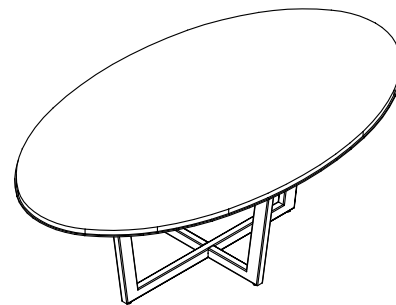
MA __	Microphone hole (factory cut)	Qty __ x 321 each
GM __	2" Grommet hole (factory cut), liner, lid, in matching metal finish	Qty __ x 423 each

Please consult [page 7](#) for the palette of DatesWeiser finishes. Natural stone, non-standard glass and veneer, and other technology options are available. Please email customerservice@datesweiser.com for a custom quote. Consult technical information on [page 282](#) for construction details and technical information.

Highline Elliptical Meeting Table

48"x84"/ 8 Person

02M48E



Starting Price: **\$14,002**

48x84 table, veneer Tier 1 top with metal edge, open x base, powder coat metal finish

Pattern Number: 02M48E

Please consult [page 7](#) for the palette of DatesWeiser finishes. Natural stone, non-standard glass and veneer, and other technology options are available. Please email customerservice@datesweiser.com for a custom quote. Consult technical information on [page 282](#) for construction details and technical information.

Step 1. Top Material

V	Veneer
G	Glass
C	Corian
Q	Caesarstone

Step 2. Metal Finish

MC __	Powder Coat	+0
PM01	Polished Chrome	+294
PM02	Satin Nickel	+294
PM03	Oil Rubbed Bronze	+294

Step 3. Top Finish

T1 __	Veneer Tier 1	+0
T2 __	Veneer Tier 2	+594
T3 __	Veneer Tier 3	+1,798
GC01	Clear Glass, back painted, white	+2,334
GC __	Clear Glass, back painted, color	+3,194
GE01	Etched matte Glass, back painted, white	+3,143
GE __	Etched matte Glass, back painted, color	+4,045
CS01	Corian Glacier White	+5,687
QS __	Caesarstone	+13,562

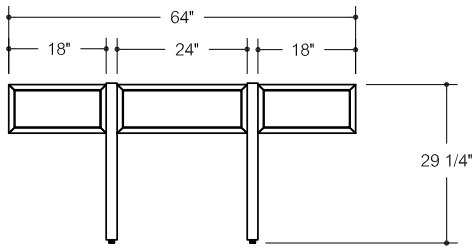
Step 4. Power & Connectivity Access: Optional; all include wire management base

TMHW	Tabletop, Metal lid, Hardwired, Qty 1	+8,683
TMPI	Tabletop, Metal lid, Plug In, Qty 1	+8,437
UMHW	Undermount, Hardwired, Qty 4	+9,894
UMPI	Undermount, Plug In, Qty 4	+8,910

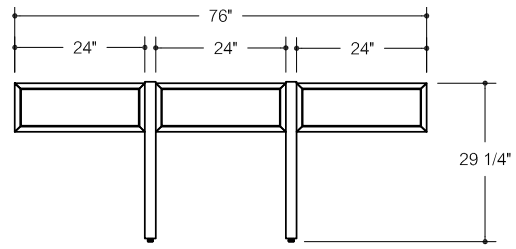
Step 5. Microphone and/or Grommet Accommodations: Optional

MA __	Microphone hole (factory cut)	Qty __ x 321 each
GM __	2" Grommet hole (factory cut), liner, lid, in matching metal finish	Qty __ x 423 each

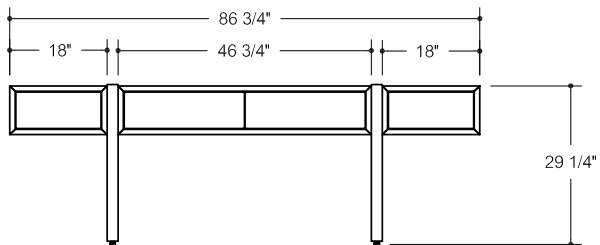
Highline Credenzas Index



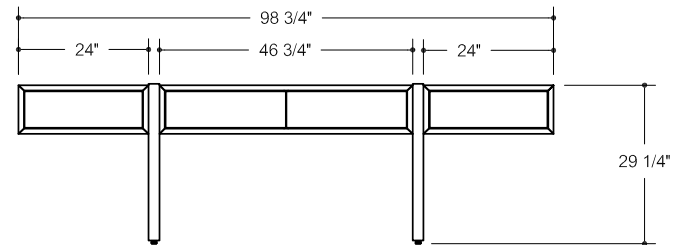
O2C1H64



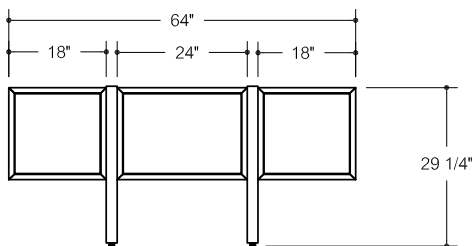
O2C1H76



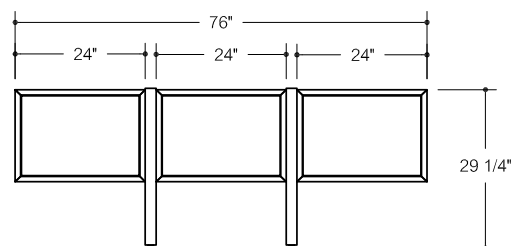
O2C1H87



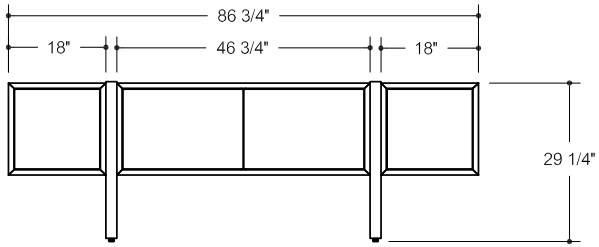
O2C1H99



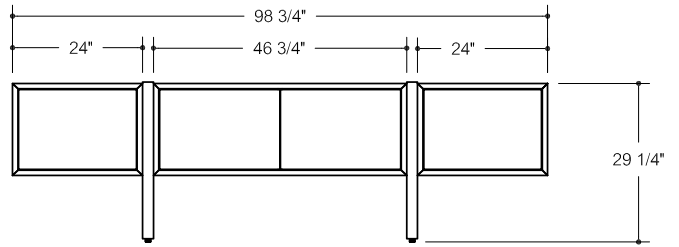
O2C2H64



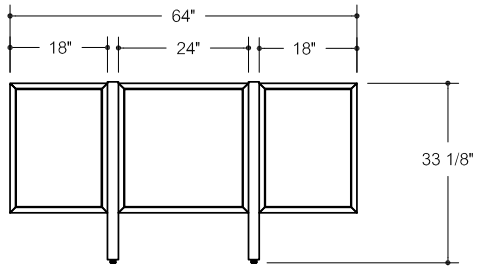
O2C2H76



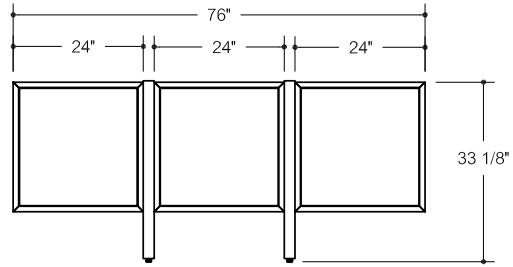
O2C2H87



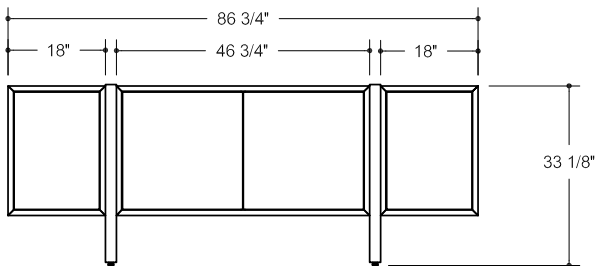
O2C2H99



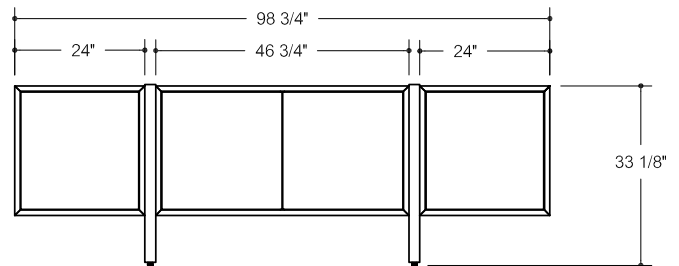
O2C3H64



O2C3H76



O2C3H87

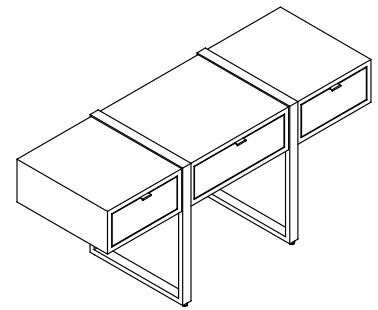


O2C3H99

1H Highline Credenza

64" Long

02C1H64



Starting Price: **\$7,993**

64" 1 High credenza, all open, satin lacquer, powder coat legs

Pattern Number: 02C1H64

Step 1. Top Material

NT	No Top
FG	Full Glass
SG	3 Section
CG	Center Section only

Step 2. Top Finish

		SECTION TOP	CENTER TOP	FULL TOP
GC00	Clear Glass	N/A	N/A	+886
GC01	Clear Glass back painted, white	+876	+354	N/A
GC __	Clear Glass back painted, color	+974	+394	N/A
GE01	Etched Glass back painted, white	+1,181	+483	N/A
GE __	Etched Glass back painted, color	+1,313	+536	N/A
CS01	Corian Glacier white	+1,629	+661	N/A
QS __	Caesarstone	+2,273	+924	N/A

Step 3. Case Finish

SL __	Satin Lacquer	+0
T1	Veneer Tier 1	+1,043
T2	Veneer Tier 2	+2,038
T3	Veneer Tier 3	+3,222
HG __	High Gloss Polyester	+3,414

Step 4. Leg Finish

MC __	Powder Coat	+0
PM01	Polished Chrome	+214
PM02	Satin Nickel	+214
PM03	Oil Rubbed Bronze	+214

Step 5. Door/Drawer Face Finish

SL __	Satin Lacquer	+0
T1 __	Veneer Tier 1	+348
T2 __	Veneer Tier 2	+679
T3 __	Veneer Tier 3	+1,074
HG __	High Gloss Polyester	+1,138

Step 6. Configuration (3 positions - Left/Center/Right)

Specify Left to Right: Select case configurations for 3 available positions.

1 __ 18	Left
1 __ 24	Center
1 __ 18	Right

LEFT

1OP18	Open	+0
1DW18	Drawer	+519

CENTER

1OP24	Open	+0
1DW24	Drawers	+519

RIGHT

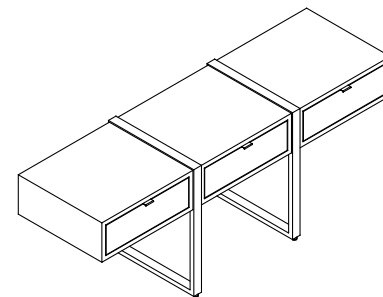
1OP18	Open	+0
1DW18	Drawer	+519

Please consult [page 7](#) for the palette of DatesWeiser finishes. Natural stone, non-standard glass and veneer, and other technology options are available. Please email customerservice@datesweiser.com for a custom quote. Consult technical information on [page 289](#) for construction details and technical information.

1H Highline Credenza

76" Long

02C1H76



Starting Price: **\$8,518**

76" 1 High credenza, all open, satin lacquer, powder coat legs

Pattern Number: 02C1H76

Step 1. Top Material

NT	No Top
FG	Full Glass
SG	3 Section
CG	Center Section only

Step 2. Top Finish

		SECTION TOP	CENTER TOP	FULL TOP
GC00	Clear Glass	N/A	N/A	+1,054
GC01	Clear Glass back painted, white	+1,064	+354	N/A
GC __	Clear Glass back painted, color	+1,181	+394	N/A
GE01	Etched Glass back painted, white	+1,448	+483	N/A
GE __	Etched Glass back painted, color	+1,608	+536	N/A
CS01	Corian Glacier white	+1,984	+661	N/A
QS __	Caesarstone	+2,773	+924	N/A

Step 3. Case Finish

SL __	Satin Lacquer	+0
T1	Veneer Tier 1	+1,188
T2	Veneer Tier 2	+2,323
T3	Veneer Tier 3	+3,696
HG __	High Gloss Polyester	+3,912

Step 4. Leg Finish

MC __	Powder Coat	+0
PM01	Polished Chrome	+214
PM02	Satin Nickel	+214
PM03	Oil Rubbed Bronze	+214

Step 5. Door/Drawer Face Finish

SL __	Satin Lacquer	+0
T1 __	Veneer Tier 1	+396
T2 __	Veneer Tier 2	+775
T3 __	Veneer Tier 3	+1,232
HG __	High Gloss Polyester	+1,304

Step 6. Configuration (3 positions - Left/Center/Right)

Specify Left to Right: Select case configurations for 3 available positions

1 __ 24	Left
1 __ 24	Center
1 __ 24	Right

LEFT

10P24	Open	+0
1DW24	Drawers	+ 519

CENTER

10P24	Open	+0
1DW24	Drawers	+ 519

RIGHT

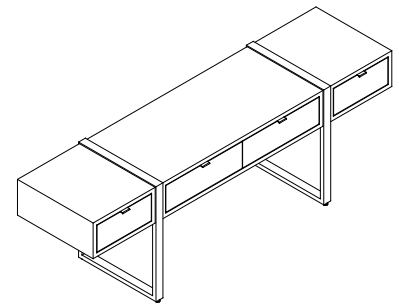
10P24	Open	+0
1DW24	Drawers	+ 519

Please consult [page 7](#) for the palette of DatesWeiser finishes. Natural stone, non-standard glass and veneer, and other technology options are available. Please email customerservice@datesweiser.com for a custom quote. Consult technical information on [page 289](#) for construction details and technical information.

1H Highline Credenza

87" Long

02C1H87



Starting Price: **\$9,481**

87" 1 High credenza, all open, satin lacquer, powder coat legs

Pattern Number: 02C1H87

Step 1. Top Material

NT	No Top
FG	Full Glass
SG	3 Section
CG	Center Section only

Step 2. Top Finish

		SECTION TOP	CENTER TOP	FULL TOP
GC00	Clear Glass	N/A	N/A	+1,202
GC01	Clear Glass back painted, white	+1,241	+719	N/A
GC __	Clear Glass back painted, color	+1,379	+799	N/A
GE01	Etched Glass back painted, white	+1,680	+980	N/A
GE __	Etched Glass back painted, color	+1,866	+1,089	N/A
CS01	Corian Glacier white	+2,307	+1,340	N/A
QS __	Caesarstone	+3,228	+1,880	N/A

Step 3. Case Finish

SL __	Satin Lacquer	+0
T1	Veneer Tier 1	+1,320
T2	Veneer Tier 2	+2,588
T3	Veneer Tier 3	+4,117
HG __	High Gloss Polyester	+4,358

Step 4. Leg Finish

MC __	Powder Coat	+0
PM01	Polished Chrome	+214
PM02	Satin Nickel	+214
PM03	Oil Rubbed Bronze	+214

Step 5. Door/Drawer Face Finish

SL __	Satin Lacquer	+0
T1 __	Veneer Tier 1	+440
T2 __	Veneer Tier 2	+862
T3 __	Veneer Tier 3	+1,373
HG __	High Gloss Polyester	+1,453

Step 6. Configuration (3 positions - Left/Center/Right)

Specify Left to Right: Select case configurations for 3 available positions

1 __ 18	Left
1 __ 46	Center
1 __ 18	Right

LEFT

10P18	Open	+ 0
1DW18	Drawers	+ 519

CENTER

10P18	Open	+ 0
1DW46	Drawers	+1,050

RIGHT

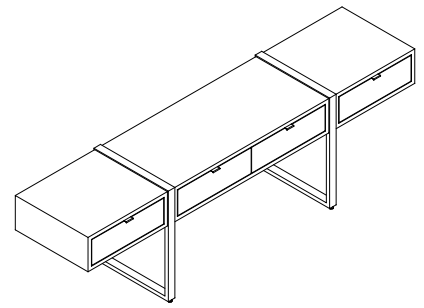
10P18	Open	+ 0
1DW18	Drawers	+ 519

Please consult [page 7](#) for the palette of DatesWeiser finishes. Natural stone, non-standard glass and veneer, and other technology options are available. Please email customerservice@datesweiser.com for a custom quote. Consult technical information on [page 289](#) for construction details and technical information.

1H Highline Credenza

99" Long

02C1H99



Starting Price: **\$10,252**

99" 1 High credenza, all open, satin lacquer, powder coat legs

Pattern Number: 02C1H99

Step 1. Top Material

NT	No Top
FG	Full Glass
SG	3 Section
CG	Center Section only

Step 2. Top Finish

		SECTION TOP	CENTER TOP	FULL TOP
GC00	Clear Glass	N/A	N/A	+1,370
GC01	Clear Glass back painted, white	+1,428	+719	N/A
GC __	Clear Glass back painted, color	+1,587	+799	N/A
GE01	Etched Glass back painted, white	+1,945	+980	N/A
GE __	Etched Glass back painted, color	+2,161	+1,089	N/A
CS01	Corian Glacier white	+2,662	+1,340	N/A
QS __	Caesarstone	+3,729	+1,880	N/A

Step 3. Case Finish

SL __	Satin Lacquer	+0
T1	Veneer Tier 1	+1,461
T2	Veneer Tier 2	+2,873
T3	Veneer Tier 3	+4,586
HG __	High Gloss Polyester	+4,849

Step 4. Leg Finish

MC __	Powder Coat	+0
PM01	Polished Chrome	+214
PM02	Satin Nickel	+214
PM03	Oil Rubbed Bronze	+214

Step 5. Door/Drawer Face Finish

SL __	Satin Lacquer	+0
T1 __	Veneer Tier 1	+487
T2 __	Veneer Tier 2	+958
T3 __	Veneer Tier 3	+1,529
HG __	High Gloss Polyester	+1,620

Step 6. Configuration (3 positions - Left/Center/Right)

Specify Left to Right: Select case configurations for 3 available positions

1 __ 24	Left
1 __ 46	Center
1 __ 24	Right

LEFT

10P24	Open	+ 0
1DW24	Drawer	+ 519

CENTER

10P46	Open	+0
1DW46	Drawers	+1050

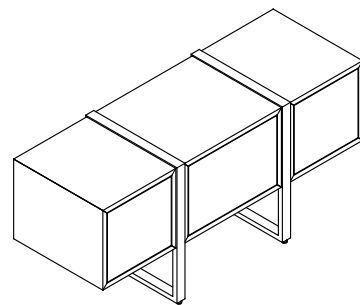
RIGHT

10P24	Open	+ 0
1DW24	Drawer	+ 519

Please consult [page 7](#) for the palette of DatesWeiser finishes. Natural stone, non-standard glass and veneer, and other technology options are available. Please email customerservice@datesweiser.com for a custom quote. Consult technical information on [page 289](#) for construction details and technical information.

2H Highline Credenza

64" Long
02C2H64



Starting Price: **\$10,069**

64" 2 High credenza, all doors, satin lacquer, powder coat legs

Pattern Number: 02C2H64

Step 1. Top Material

NT	No Top
FG	Full Glass
SG	3 Section
CG	Center Section only

Step 2. Top Finish

		SECTION TOP	CENTER TOP	FULL TOP
GC00	Clear Glass	N/A	N/A	+886
GC01	Clear Glass back painted, white	+876	+354	N/A
GC __	Clear Glass back painted, color	+974	+394	N/A
GE01	Etched Glass back painted, white	+1,181	+483	N/A
GE __	Etched Glass back painted, color	+1,313	+536	N/A
CS01	Corian Glacier white	+1,629	+661	N/A
QS __	Caesarstone	+2,273	+924	N/A

Step 3. Case Finish

SL __	Satin Lacquer	+0
T1	Veneer Tier 1	+1,513
T2	Veneer Tier 2	+3,338
T3	Veneer Tier 3	+5,895
HG __	High Gloss Polyester	+6,276

Step 4. Leg Finish

MC __	Powder Coat	+0
PM01	Polished Chrome	+214
PM02	Satin Nickel	+214
PM03	Oil Rubbed Bronze	+214

Step 5. Door/Drawer Face Finish

SL __	Satin Lacquer	+0
T1 __	Veneer Tier 1	+504
T2 __	Veneer Tier 2	+1,113
T3 __	Veneer Tier 3	+1,965
HG __	High Gloss Polyester	+2,092

Step 6. Configuration (3 positions - Left/Center/Right)

Specify Left to Right: Select case configurations for 3 available positions

2 __ 18	Left
2 __ 24	Center
2 __ 18	Right

LEFT

2DR18	Door	+ 0
2DW18	Drawers	+ 397
2OW18	Open over Drawer	+ 314
2TT18	Trash thru Top	+ 728

CENTER

2DR24	Door	+0
2DW24	Drawers	+625
2OW24	Open over Drawer	+459

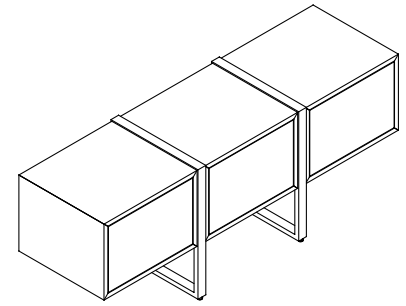
RIGHT

2DR18	Door	+ 0
2DW18	Drawers	+ 397
2OW18	Open over Drawer	+ 314
2TT18	Trash thru Top	+ 728

Please consult [page 7](#) for the palette of DatesWeiser finishes. Natural stone, non-standard glass and veneer, and other technology options are available. Please email customerservice@datesweiser.com for a custom quote. Consult technical information on [page 289](#) for construction details and technical information.

2H Highline Credenza

76" Long
02C2H76



Starting Price: **\$10,675**

76" 2 High credenza, all doors, satin lacquer, powder coat legs

Pattern Number: 02C2H76

Step 1. Top Material

NT	No Top
FG	Full Glass
SG	3 Section
CG	Center Section only

Step 2. Top Finish

		SECTION TOP	CENTER TOP	FULL TOP
GC00	Clear Glass	N/A	N/A	+1,054
GC01	Clear Glass back painted, white	+1,064	+354	N/A
GC __	Clear Glass back painted, color	+1,181	+394	N/A
GE01	Etched Glass back painted, white	+1,448	+483	N/A
GE __	Etched Glass back painted, color	+1,608	+536	N/A
CS01	Corian Glacier white	+1,984	+661	N/A
QS __	Caesarstone	+2,773	+924	N/A

Step 3. Case Finish

SL __	Satin Lacquer	+0
T1	Veneer Tier 1	+1,662
T2	Veneer Tier 2	+3,687
T3	Veneer Tier 3	+6,585
HG __	High Gloss Polyester	+7,014

Step 4. Leg Finish

MC __	Powder Coat	+0
PM01	Polished Chrome	+214
PM02	Satin Nickel	+214
PM03	Oil Rubbed Bronze	+214

Step 5. Door/Drawer Face Finish

SL __	Satin Lacquer	+0
T1 __	Veneer Tier 1	+554
T2 __	Veneer Tier 2	+1,229
T3 __	Veneer Tier 3	+2,195
HG __	High Gloss Polyester	+2,338

Step 6. Configuration (3 positions - Left/Center/Right)

Specify Left to Right: Select case configurations for 3 available positions

2 __ 24	Left
2 __ 24	Center
2 __ 24	Right

LEFT

2DR24	Door	+ 0
2DW24	Drawers	+ 625
2OW24	Open over Drawer	+ 459
2TT24	Trash thru Top	+721

CENTER

2DR24	Door	+ 0
2DW24	Drawers	+ 625
2OW24	Open over Drawer	+ 459

RIGHT

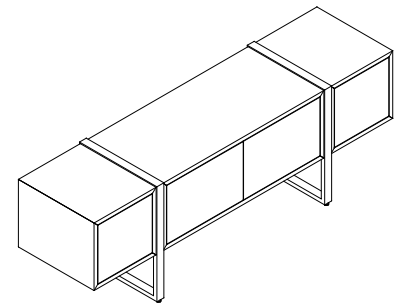
2DR24	Door	+ 0
2DW24	Drawers	+ 625
2OW24	Open over Drawer	+ 459
2TT24	Trash thru Top	+721

Please consult [page 7](#) for the palette of DatesWeiser finishes. Natural stone, non-standard glass and veneer, and other technology options are available. Please email customerservice@datesweiser.com for a custom quote. Consult technical information on [page 289](#) for construction details and technical information.

2H Highline Credenza

87" Long

02C2H87



Starting Price: **\$12,033**

87" 2 High credenza, all doors, satin lacquer, powder coat legs

Pattern Number: 02C2H87

Step 1. Top Material

NT	No Top
FG	Full Glass
SG	3 Section
CG	Center Section only

Step 2. Top Finish

		SECTION TOP	CENTER TOP	FULL TOP
GC00	Clear Glass	N/A	N/A	+1,202
GC01	Clear Glass back painted, white	+1,241	+719	N/A
GC __	Clear Glass back painted, color	+1,379	+799	N/A
GE01	Etched Glass back painted, white	+1,680	+980	N/A
GE __	Etched Glass back painted, color	+1,866	+1,089	N/A
CS01	Corian Glacier white	+2,307	+1,340	N/A
QS __	Caesarstone	+3,228	+1,880	N/A

Step 3. Case Finish

SL __	Satin Lacquer	+0
T1	Veneer Tier 1	+1,854
T2	Veneer Tier 2	+4,081
T3	Veneer Tier 3	+7,215
HG __	High Gloss Polyester	+7,680

Step 4. Leg Finish

MC __	Powder Coat	+0
PM01	Polished Chrome	+214
PM02	Satin Nickel	+214
PM03	Oil Rubbed Bronze	+214

Step 5. Door/Drawer Face Finish

SL __	Satin Lacquer	+0
T1 __	Veneer Tier 1	+618
T2 __	Veneer Tier 2	+1,360
T3 __	Veneer Tier 3	+2,405
HG __	High Gloss Polyester	+2,561

Step 6. Configuration (3 positions - Left/Center/Right)

Specify Left to Right: Select case configurations for 3 available positions

2 __ 18	Left
2 __ 46	Center
2 __ 18	Right

LEFT

2DR18	Door	+ 0
2DW18	Drawers	+ 397
2OW18	Open over Drawer	+ 314
2TT18	Trash thru Top	+728

CENTER

2DR46	Doors	+0
2DW46	Drawers	+978
2OW46	Open over Drawers	+640

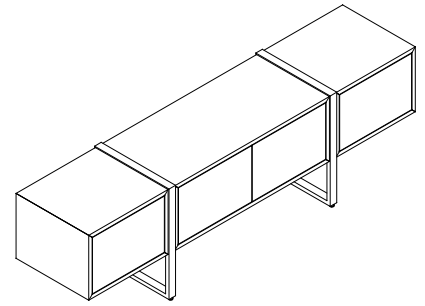
RIGHT

2DR18	Door	+ 0
2DW18	Drawers	+ 397
2OW18	Open over Drawer	+ 314
2TT18	Trash thru Top	+728

Please consult [page 7](#) for the palette of DatesWeiser finishes. Natural stone, non-standard glass and veneer, and other technology options are available. Please email customerservice@datesweiser.com for a custom quote. Consult technical information on [page 289](#) for construction details and technical information.

2H Highline Credenza

99" Long
O2C2H99



Starting Price: **\$12,779**

99" 2 High credenza, all doors, satin lacquer, powder coat legs

Pattern Number: O2C2H99

Step 1. Top Material

NT	No Top
FG	Full Glass
SG	3 Section
CG	Center Section only

Step 2. Top Finish

		SECTION TOP	CENTER TOP	FULL TOP
GC00	Clear Glass	N/A	N/A	+1,370
GC01	Clear Glass back painted, white	+1,428	+719	N/A
GC __	Clear Glass back painted, color	+1,587	+799	N/A
GE01	Etched Glass back painted, white	+1,945	+980	N/A
GE __	Etched Glass back painted, color	+2,161	+1,089	N/A
CS01	Corian Glacier white	+2,662	+1,340	N/A
QS __	Caesarstone	+3,729	+1,880	N/A

Step 3. Case Finish

SL __	Satin Lacquer	+0
T1	Veneer Tier 1	+2,043
T2	Veneer Tier 2	+4,474
T3	Veneer Tier 3	+7,908
HG __	High Gloss Polyester	+8,419

Step 4. Leg Finish

MC __	Powder Coat	+0
PM01	Polished Chrome	+214
PM02	Satin Nickel	+214
PM03	Oil Rubbed Bronze	+214

Step 5. Door/Drawer Face Finish

SL __	Satin Lacquer	+0
T1 __	Veneer Tier 1	+681
T2 __	Veneer Tier 2	+1,492
T3 __	Veneer Tier 3	+2,636
HG __	High Gloss Polyester	+2,807

Step 6. Configuration (3 positions - Left/Center/Right)

Specify Left to Right: Select case configurations for 3 available positions

2 __ 24	Left
2 __ 46	Center
2 __ 24	Right

LEFT

2DR24	Door	+ 0
2DW24	Drawers	+ 625
2OW24	Open over Drawer	+459
2TT24	Trash thru Top	+721

CENTER

2DR46	Doors	+0
2DW46	Drawers	+978
2OW46	Open over Drawers	+640

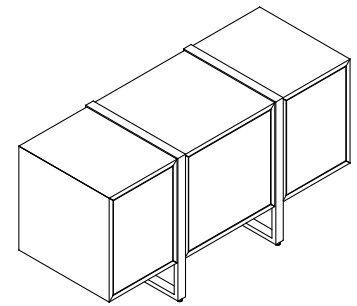
RIGHT

2DR24	Door	+ 0
2DW24	Drawers	+ 625
2OW24	Open over Drawer	+459
2TT24	Trash thru Top	+721

Please consult [page 7](#) for the palette of DatesWeiser finishes. Natural stone, non-standard glass and veneer, and other technology options are available. Please email customerservice@datesweiser.com for a custom quote. Consult technical information on [page 289](#) for construction details and technical information.

3H Highline Credenza

64" Long
02C3H64



Starting Price: **\$11,046**

64" 3 High credenza, all doors, satin lacquer, powder coat legs

Pattern Number: 02C3H64

Step 1. Top Material

NT	No Top
FG	Full Glass
SG	3 Section
CG	Center Section only

Step 2. Top Finish

		SECTION TOP	CENTER TOP	FULL TOP
GC00	Clear Glass	N/A	N/A	+975
GC01	Clear Glass back painted, white	+958	+389	N/A
GC__	Clear Glass back painted, color	+1,064	+432	N/A
GE01	Etched Glass back painted, white	+1,303	+533	N/A
GE__	Etched Glass back painted, color	+1,448	+592	N/A
CS01	Corian Glacier white	+1,789	+725	N/A
QS__	Caesarstone	+2,507	+1,020	N/A

Step 3. Case Finish

SL__	Satin Lacquer	+0
T1	Veneer Tier 1	+1,882
T2	Veneer Tier 2	+4,358
T3	Veneer Tier 3	+8,018
HG__	High Gloss Polyester	+8,550

Step 4. Leg Finish

MC__	Powder Coat	+0
PM01	Polished Chrome	+214
PM02	Satin Nickel	+214
PM03	Oil Rubbed Bronze	+214

Step 5. Door/Drawer Face Finish

SL__	Satin Lacquer	+0
T1__	Veneer Tier 1	+627
T2__	Veneer Tier 2	+1,453
T3__	Veneer Tier 3	+2,673
HG__	High Gloss Polyester	+2,850

Step 6. Configuration (3 positions - Left/Center/Right)

Specify Left to Right: Select case configurations for 3 available positions

3__18	Left
3__24	Center
3__18	Right

LEFT

3DR18	Door	+ 0
3DW18	Drawers	+ 850
3OW18	Open over Drawer	+ 677
3OR18	Open over Door	+ 579
3TT18	Trash thru Top	+731
3TP18	Trash Pull-Out	+1,271
3AV18	AV Case	+406

CENTER

3DR24	Door	+0
3DW24	Drawers	+1,121
3OW24	Open over Drawer	+611
3OR24	Open over Door	+585
3TT24	Trash thru Top	+719
3TP24	Trash Pull-Out	+1,256
3AV24	AV Case	+395

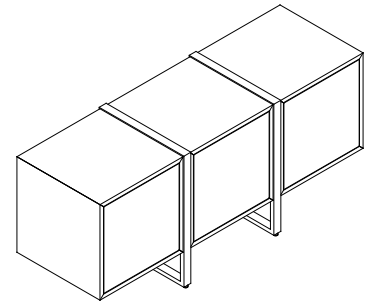
RIGHT

3DR18	Door	+ 0
3DW18	Drawers	+ 850
3OW18	Open over Drawer	+ 677
3OR18	Open over Door	+ 579
3TT18	Trash thru Top	+731
3TP18	Trash Pull-Out	+1,271
3AV18	AV Case	+406

Please consult [page 7](#) for the palette of DatesWeiser finishes. Natural stone, non-standard glass and veneer, and other technology options are available. Please email customerservice@datesweiser.com for a custom quote. Consult technical information on [page 289](#) for construction details and technical information.

3H Highline Credenza

76" Long
O2C3H76



Starting Price: **\$12,226**

76" 3 High credenza, all doors, satin lacquer, powder coat legs

Pattern Number: O2C3H76

Step 1. Top Material

NT	No Top
FG	Full Glass
SG	3 Section
CG	Center Section only

Step 2. Top Finish

		SECTION TOP	CENTER TOP	FULL TOP
GC00	Clear Glass	N/A	N/A	+1,145
GC01	Clear Glass back painted, white	+1,167	+389	N/A
GC __	Clear Glass back painted, color	+1,297	+432	N/A
GE01	Etched Glass back painted, white	+1,598	+533	N/A
GE __	Etched Glass back painted, color	+1,775	+592	N/A
CS01	Corian Glacier white	+2,176	+725	N/A
QS __	Caesarstone	+3,059	+1,020	N/A

Step 3. Case Finish

SL __	Satin Lacquer	+0
T1	Veneer Tier 1	+2,043
T2	Veneer Tier 2	+4,771
T3	Veneer Tier 3	+8,768
HG __	High Gloss Polyester	+9,353

Step 4. Leg Finish

MC __	Powder Coat	+0
PM01	Polished Chrome	+214
PM02	Satin Nickel	+214
PM03	Oil Rubbed Bronze	+214

Step 5. Door/Drawer Face Finish

SL __	Satin Lacquer	+0
T1 __	Veneer Tier 1	+681
T2 __	Veneer Tier 2	+1,590
T3 __	Veneer Tier 3	+2,922
HG __	High Gloss Polyester	+3,118

Step 6. Configuration (3 positions - Left/Center/Right)

Specify Left to Right: Select case configurations for 3 available positions

3 __ 24	Left
3 __ 24	Center
3 __ 24	Right

LEFT

3DR24	Door	+ 0
3DW24	Drawers	+ 1,121
3OW24	Open over Drawer	+ 611
3OR24	Open over Door	+ 585
3TT24	Trash thru Top	+719
3TP24	Trash Pull-Out	+1,256
3AV24	AV Case	+395

CENTER

3DR24	Door	+ 0
3DW24	Drawers	+ 1,121
3OW24	Open over Drawer	+ 611
3OR24	Open over Door	+ 585
3TT24	Trash thru Top	+719
3TP24	Trash Pull-Out	+1,256
3AV24	AV Case	+395

RIGHT

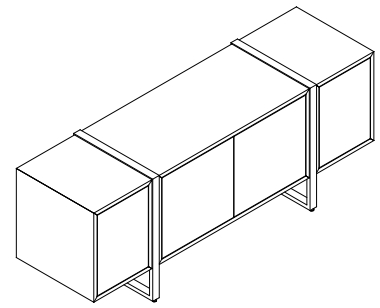
3DR24	Door	+ 0
3DW24	Drawers	+ 1,121
3OW24	Open over Drawer	+ 611
3OR24	Open over Door	+ 585
3TT24	Trash thru Top	+719
3TP24	Trash Pull-Out	+1,256
3AV24	AV Case	+395

Please consult [page 7](#) for the palette of DatesWeiser finishes. Natural stone, non-standard glass and veneer, and other technology options are available. Please email customerservice@datesweiser.com for a custom quote. Consult technical information on [page 289](#) for construction details and technical information.

3H Highline Credenza

87" Long

02C3H87



Starting Price: **\$13,102**

87" 3 High credenza, all doors, satin lacquer, powder coat legs

Pattern Number: 02C3H87

Step 1. Top Material

NT	No Top
FG	Full Glass
SG	3 Section
CG	Center Section only

Step 2. Top Finish

		SECTION TOP	CENTER TOP	FULL TOP
GC00	Clear Glass	N/A	N/A	+1,310
GC01	Clear Glass back painted, white	+1,362	+794	N/A
GC __	Clear Glass back painted, color	+1,513	+882	N/A
GE01	Etched Glass back painted, white	+1,848	+1,077	N/A
GE __	Etched Glass back painted, color	+2,053	+1,197	N/A
CS01	Corian Glacier white	+2,541	+1,478	N/A
QS __	Caesarstone	+3,557	+2,069	N/A

Step 3. Case Finish

SL __	Satin Lacquer	+0
T1	Veneer Tier 1	+2,327
T2	Veneer Tier 2	+5,285
T3	Veneer Tier 3	+9,646
HG __	High Gloss Polyester	+10,284

Step 4. Leg Finish

MC __	Powder Coat	+0
PM01	Polished Chrome	+214
PM02	Satin Nickel	+214
PM03	Oil Rubbed Bronze	+214

Step 5. Door/Drawer Face Finish

SL __	Satin Lacquer	+0
T1 __	Veneer Tier 1	+776
T2 __	Veneer Tier 2	+1,761
T3 __	Veneer Tier 3	+3,215
HG __	High Gloss Polyester	+3,428

Step 6. Configuration (3 positions - Left/Center/Right)

Specify Left to Right: Select case configurations for 3 available positions

3 __ 18	Left
3 __ 46	Center
3 __ 18	Right

LEFT

3DR18	Door	+ 0
3DW18	Drawers	+ 850
3OW18	Open over Drawer	+ 677
3OR18	Open over Door	+ 579
3TT18	Trash thru Top	+731
3TP18	Trash Pull-Out	+1,271
3AV18	AV Case	+406

CENTER

3DR46	Doors	+0
3DW46	Drawers	+1,398
3OW46	Open over Drawers	+1,079
3OR46	Open over Doors	+325
3AV46	AV Case	+56

RIGHT

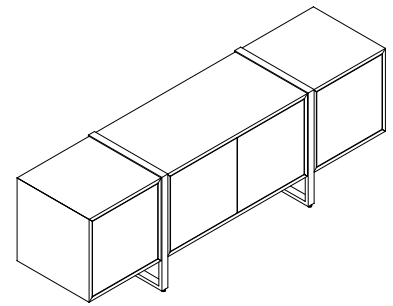
3DR18	Door	+ 0
3DW18	Drawers	+ 850
3OW18	Open over Drawer	+ 677
3OR18	Open over Door	+ 579
3TT18	Trash thru Top	+731
3TP18	Trash Pull-Out	+1,271
3AV18	AV Case	+406

Please consult [page 7](#) for the palette of DatesWeiser finishes. Natural stone, non-standard glass and veneer, and other technology options are available. Please email customerservice@datesweiser.com for a custom quote. Consult technical information on [page 289](#) for construction details and technical information.

3H Highline Credenza

99" Long

02C3H99



Starting Price: **\$14,686**

99" 3 High credenza, all doors, satin lacquer, powder coat legs

Pattern Number: 02C3H99

Step 1. Top Material

NT	No Top
FG	Full Glass
SG	3 Section
CG	Center Section only

Step 2. Top Finish

		SECTION TOP	CENTER TOP	FULL TOP
GC00	Clear Glass	N/A	N/A	+1,491
GC01	Clear Glass back painted, white	+1,572	+794	N/A
GC __	Clear Glass back painted, color	+1,746	+882	N/A
GE01	Etched Glass back painted, white	+2,143	+1,077	N/A
GE __	Etched Glass back painted, color	+2,381	+1,197	N/A
CS01	Corian Glacier white	+2,929	+1,478	N/A
QS __	Caesarstone	+4,109	+2,069	N/A

Step 3. Case Finish

SL __	Satin Lacquer	+0
T1	Veneer Tier 1	+2,997
T2	Veneer Tier 2	+6,227
T3	Veneer Tier 3	+11,054
HG __	High Gloss Polyester	+11,757

Step 4. Leg Finish

MC __	Powder Coat	+0
PM01	Polished Chrome	+214
PM02	Satin Nickel	+214
PM03	Oil Rubbed Bronze	+214

Step 5. Door/Drawer Face Finish

SL __	Satin Lacquer	+0
T1 __	Veneer Tier 1	+999
T2 __	Veneer Tier 2	+2,076
T3 __	Veneer Tier 3	+3,685
HG __	High Gloss Polyester	+3,919

Step 6. Configuration (3 positions - Left/Center/Right)

Specify Left to Right: Select case configurations for 3 available positions

3 __ 24	Left
3 __ 46	Center
3 __ 24	Right

LEFT

3DR24	Door	+0
3DW24	Drawers	+1,121
3OW24	Open over Drawer	+611
3OR24	Open over Door	+585
3TT24	Trash thru Top	+719
3TP24	Trash Pull-Out	+1,256
3AV24	AV Case	+395

CENTER

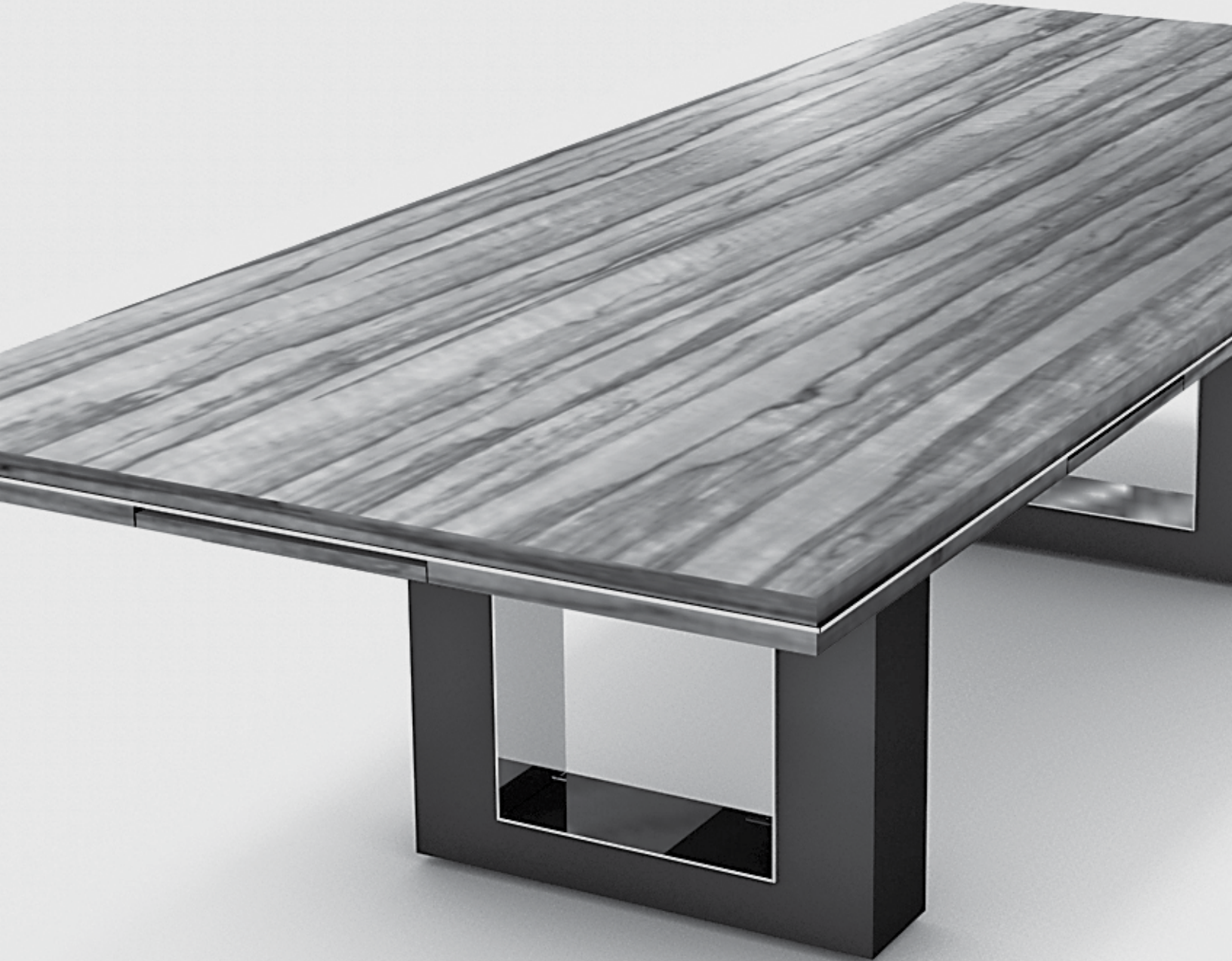
3DR46	Doors	+0
3DW46	Drawers	+1,398
3OW46	Open over Drawers	+1,079
3OR46	Open over Doors	+325
3AV46	AV Case	+56

RIGHT

3DR24	Door	+0
3DW24	Drawers	+1,121
3OW24	Open over Drawer	+611
3OR24	Open over Door	+585
3TT24	Trash thru Top	+719
3TP24	Trash Pull-Out	+1,256
3AV24	AV Case	+395

Please consult [page 7](#) for the palette of DatesWeiser finishes. Natural stone, non-standard glass and veneer, and other technology options are available. Please email customerservice@datesweiser.com for a custom quote. Consult technical information on [page 289](#) for construction details and technical information.

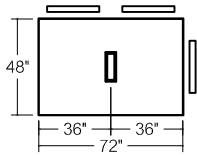
Highline Fifty Collection



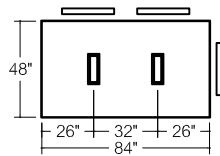
DATESWEISER

Highline Fifty Conference Tables Index

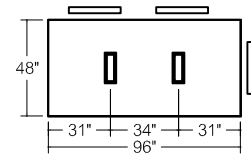
48" width



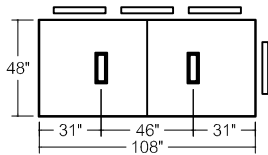
03R48X72
6 Person Table



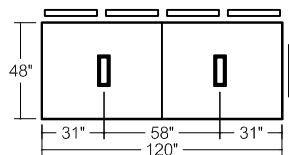
03R48X84
6 Person Table



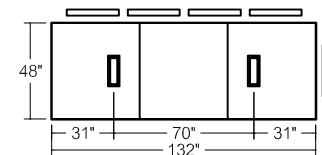
03R48X96
6 Person Table



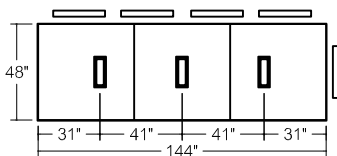
03R48X108
8 Person Table



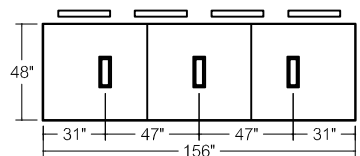
03R48X120
10 Person Table



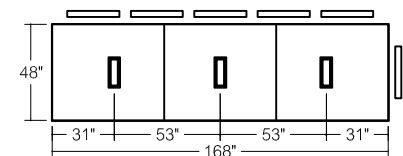
03R48X132
10 Person Table



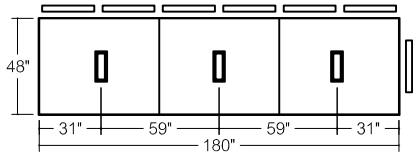
03R48X144
10 Person Table



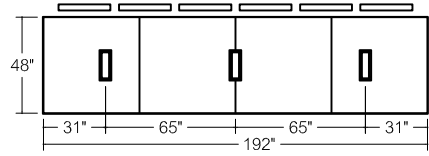
03R48X156
10 Person Table



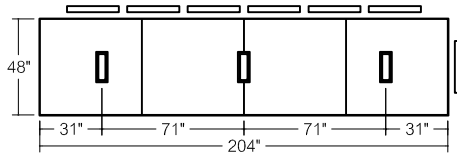
03R48X168
12 Person Table



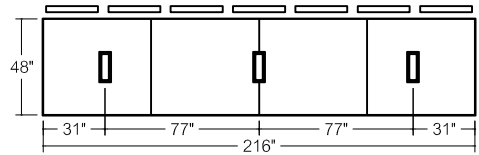
03R48X180
14 Person Table



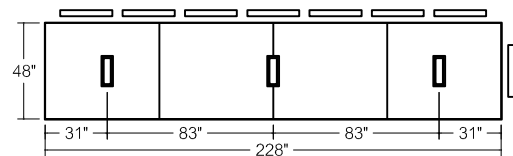
03R48X192
14 Person Table



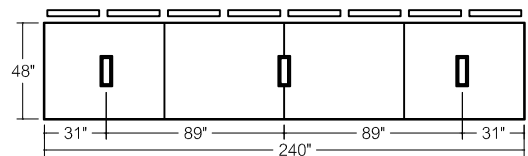
03R48X204
14 Person Table



03R48X216
16 Person Table



03R48X228
16 Person Table

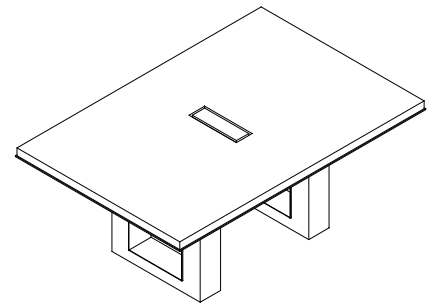


03R48X240
18 Person Table

Highline Fifty Rectangular Conference Table

48"x72"/ 6 Person

03R48X72



Starting Price: \$12,640

48x72 table, slab veneer Tier 1 top, open painted base with no metal trim, powder coat finish

Pattern Number: 03R48X72

Step 1. Top Material

S	Slab (veneer only)	
V	Veneer layered	
G	Glass layered	
C	Corian layered	
Q	Caesarstone layered	

Step 2. Base Options

ON	Open Base, no metal trim	+ 0
OT	Open Base, with metal trim	+1,958

Step 3. Metal Finish

MC __	Powder Coat	+0
PM01	Polished Chrome	+273
PM03	Satin Nickel	+273
PM03	Oil Rubbed Bronze	+273

Step 4A. Top Finish

T1 __	Veneer Tier 1	+0
T2 __	Veneer Tier 2	+508
T3 __	Veneer Tier 3	+1,493
GC01	Clear Glass, back painted, white	+816
GC __	Clear Glass, back painted, color	+1,525
GE01	Etched matte Glass, back painted, white	+1197
GE __	Etched matte Glass, back painted, color	+1,926
CS01	Corian Glacier White	+2,274
QS __	Caesarstone	+8,239

Step 4B. Lower Layer Finish (Layer top only)

SL __	Satin Lacquer	+268
T ___	Veneer Tier 1, 2, 3	+428
HG __	High Gloss Polyester	+471

Step 5. Base Finish

T1 __	Veneer Tier 1	+728
T2 __	Veneer Tier 2	+1,530
T3 __	Veneer Tier 3	+3,092
SL __	Satin Lacquer	+0
HG __	High Gloss Polyester	+3,338

Step 6. Power & Connectivity Access: Optional

DRHW	Drawer, Hardwired (layered edge only), Qty 4	+6,828
DRPI	Drawer, Plug In (layered edge only), Qty 4	+5,844
TMHW	Tabletop Metal lid, Hardwired, Qty 1	+1,998
TMPI	Tabletop Metal lid, Plug In, Qty 1	+1,749
TWHW	Tabletop Wood lid, Hardwired (veneer tops only), Qty 1	+2,561
TWPI	Tabletop Wood lid, Plug In (veneer tops only), Qty 1	+2,298
UMHW	Undermount, Hardwired, Qty 4	+3,560
UMPI	Undermount, Plug In, Qty 4	+2,576

Step 7. Microphone and/or Grommet Accommodations: Optional

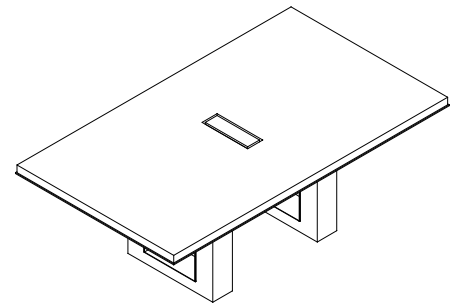
MA __	Microphone hole (factory cut)	Qty __ x 321 each
GM __	2" Grommet hole (factory cut), liner, lid, in matching metal finish	Qty __ x 423 each

Please consult [page 7](#) for the palette of DatesWeiser finishes. Natural stone, non-standard glass and veneer, and other technology options are available. Please email customerservice@datesweiser.com for a custom quote. Consult technical information on [page 294](#) for construction details and technical information.

Highline Fifty Rectangular Conference Table

48"x84"/ 6 Person

03R48X84



Starting Price: **\$13,569**

48x84 table, slab veneer Tier 1 top, open painted base with no metal trim, powder coat finish

Pattern Number: 03R48X84

Step 1. Top Material

S	Slab (veneer only)	
V	Veneer layered	
G	Glass layered	
C	Corian layered	
Q	Caesarstone layered	

Step 2. Base Options

ON	Open Base, no metal trim	+ 0
OT	Open Base, with metal trim	+ 1,958

Step 3. Metal Finish

MC __	Powder Coat	+0
PM01	Polished Chrome	+364
PM03	Satin Nickel	+364
PM03	Oil Rubbed Bronze	+364

Step 4A. Top Finish

T1 __	Veneer Tier 1	+0
T2 __	Veneer Tier 2	+599
T3 __	Veneer Tier 3	+1,551
GC01	Clear Glass, back painted, white	+770
GC __	Clear Glass, back painted, color	+1,524
GE01	Etched matte Glass, back painted, white	+1,151
GE __	Etched matte Glass, back painted, color	+1,926
CS01	Corian Glacier White	+2,273
QS __	Caesarstone	+8,610

Step 4B. Lower Layer Finish (Layer top only)

SL __	Satin Lacquer	+321
T ___	Veneer Tier 1, 2, 3	+487
HG __	High Gloss Polyester	+536

Step 5. Base Finish

T1 __	Veneer Tier 1	+728
T2 __	Veneer Tier 2	+1,530
T3 __	Veneer Tier 3	+3,092
SL __	Satin Lacquer	+0
HG __	High Gloss Polyester	+3,338

Step 6. Power & Connectivity Access: Optional

DRHW	Drawer, Hardwired (layered edge only), Qty 4	+6,828
DRPI	Drawer, Plug In (layered edge only), Qty 4	+5,844
TMHW	Tabletop Metal lid, Hardwired, Qty 2	+3,996
TMPI	Tabletop Metal lid, Plug In, Qty 2	+3,498
TWHW	Tabletop Wood lid, Hardwired (veneer tops only), Qty 2	+5,122
TWPI	Tabletop Wood lid, Plug In (veneer tops only), Qty 2	+4,596
UMHW	Undermount, Hardwired, Qty 4	+3,560
UMPI	Undermount, Plug In, Qty 4	+2,576

Step 7. Microphone and/or Grommet Accommodations: Optional

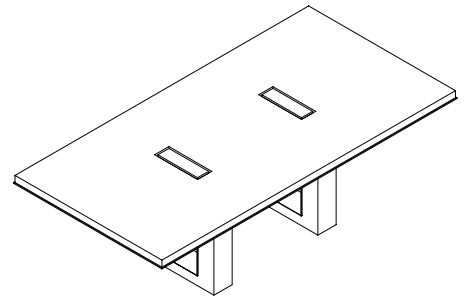
MA __	Microphone hole (factory cut)	Qty __ x 321 each
GM __	2" Grommet hole (factory cut), liner, lid, in matching metal finish	Qty __ x 423 each

Please consult [page 7](#) for the palette of DatesWeiser finishes. Natural stone, non-standard glass and veneer, and other technology options are available. Please email customerservice@datesweiser.com for a custom quote. Consult technical information on [page 294](#) for construction details and technical information.

Highline Fifty Rectangular Conference Table

48"x96"/ 6 Person

03R48X96



Starting Price: **\$14,272**

48x96 table, slab veneer Tier 1 top, open painted base with no metal trim, powder coat finish

Pattern Number: 03R48X96

Step 1. Top Material

S	Slab (veneer only)	
V	Veneer layered	
G	Glass layered	
C	Corian layered	
Q	Caesarstone layered	

Step 2. Base Options

ON	Open Base, no metal trim	+ 0
OT	Open Base, with metal trim	+1,958

Step 3. Metal Finish

MC __	Powder Coat	+0
PM01	Polished Chrome	+369
PM03	Satin Nickel	+369
PM03	Oil Rubbed Bronze	+369

Step 4A. Top Finish

T1 __	Veneer Tier 1	+0
T2 __	Veneer Tier 2	+701
T3 __	Veneer Tier 3	+1,749
GC01	Clear Glass, back painted, white	+903
GC __	Clear Glass, back painted, color	+1,701
GE01	Etched matte Glass, back painted, white	+1,208
GE __	Etched matte Glass, back painted, color	+2,022
CS01	Corian Glacier White	+2,477
QS __	Caesarstone	+9,176

Step 4B. Lower Layer Finish (Layer top only)

SL __	Satin Lacquer	+337
T ___	Veneer Tier 1, 2, 3	+508
HG __	High Gloss Polyester	+560

Step 5. Base Finish

T1 __	Veneer Tier 1	+728
T2 __	Veneer Tier 2	+1,530
T3 __	Veneer Tier 3	+3,092
SL __	Satin Lacquer	+0
HG __	High Gloss Polyester	+3,338

Step 6. Power & Connectivity Access: Optional

DRHW	Drawer, Hardwired (layered edge only), Qty 4	+6,828
DRPI	Drawer, Plug In (layered edge only), Qty 4	+5,844
TMHW	Tabletop Metal lid, Hardwired, Qty 2	+3,996
TMPI	Tabletop Metal lid, Plug In, Qty 2	+3,498
TWHW	Tabletop Wood lid, Hardwired (veneer tops only), Qty 2	+5,122
TWPI	Tabletop Wood lid, Plug In (veneer tops only), Qty 2	+4,596
UMHW	Undermount, Hardwired, Qty 4	+3,560
UMPI	Undermount, Plug In, Qty 4	+2,576

Step 7. Microphone and/or Grommet Accommodations: Optional

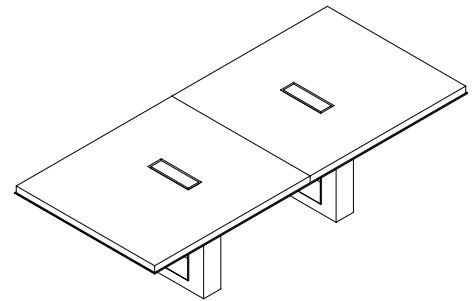
MA __	Microphone hole (factory cut)	Qty __ x 321 each
GM __	2" Grommet hole (factory cut), liner, lid, in matching metal finish	Qty __ x 423 each

Please consult [page 7](#) for the palette of DatesWeiser finishes. Natural stone, non-standard glass and veneer, and other technology options are available. Please email customerservice@datesweiser.com for a custom quote. Consult technical information on [page 294](#) for construction details and technical information.

Highline Fifty Rectangular Conference Table

48"x108"/ 8 Person

03R48X108



Starting Price: **\$15,514**

48x108 table, slab veneer Tier 1 top, open painted base with no metal trim, powder coat finish

Pattern Number: 03R48X108

Step 1. Top Material

S	Slab (veneer only)	
V	Veneer layered	
G	Glass layered	
C	Corian layered	
Q	Caesarstone layered	

Step 2. Base Options

ON	Open Base, no metal trim	+ 0
OT	Open Base, with metal trim	+1,958

Step 3. Metal Finish

MC __	Powder Coat	+0
PM01	Polished Chrome	+375
PM03	Satin Nickel	+375
PM03	Oil Rubbed Bronze	+375

Step 4A. Top Finish

T1 __	Veneer Tier 1	+0
T2 __	Veneer Tier 2	+781
T3 __	Veneer Tier 3	+1,867
GC01	Clear Glass, back painted, white	+1,126
GC __	Clear Glass, back painted, color	+2,001
GE01	Etched matte Glass, back painted, white	+1,588
GE __	Etched matte Glass, back painted, color	+2,488
CS01	Corian Glacier White	+3,080
QS __	Caesarstone	+10,518

Step 4B. Lower Layer Finish (Layer top only)

SL __	Satin Lacquer	+369
T ___	Veneer Tier 1, 2, 3	+562
HG __	High Gloss Polyester	+618

Step 5. Base Finish

T1 __	Veneer Tier 1	+728
T2 __	Veneer Tier 2	+1,530
T3 __	Veneer Tier 3	+3,092
SL __	Satin Lacquer	+0
HG __	High Gloss Polyester	+3,338

Step 6. Power & Connectivity Access: Optional

DRHW	Drawer, Hardwired (layered edge only), Qty 4	+6,828
DRPI	Drawer, Plug In (layered edge only), Qty 4	+5,844
TMHW	Tabletop Metal lid, Hardwired, Qty 2	+3,996
TMPI	Tabletop Metal lid, Plug In, Qty 2	+3,498
TWHW	Tabletop Wood lid, Hardwired (veneer tops only), Qty 2	+5,122
TWPI	Tabletop Wood lid, Plug In (veneer tops only), Qty 2	+4,596
UMHW	Undermount, Hardwired, Qty 4	+3,560
UMPI	Undermount, Plug In, Qty 4	+2,576

Step 7. Microphone and/or Grommet Accommodations: Optional

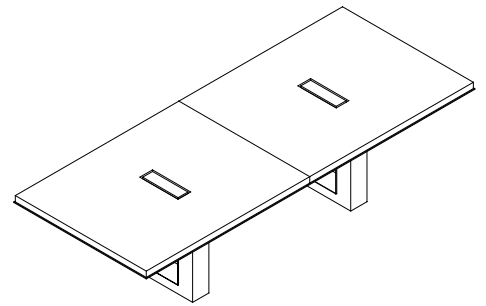
MA __	Microphone hole (factory cut)	Qty __ x 321 each
GM __	2" Grommet hole (factory cut), liner, lid, in matching metal finish	Qty __ x 423 each

Please consult [page 7](#) for the palette of DatesWeiser finishes. Natural stone, non-standard glass and veneer, and other technology options are available. Please email customerservice@datesweiser.com for a custom quote. Consult technical information on [page 294](#) for construction details and technical information.

Highline Fifty Rectangular Conference Table

48"x120"/ 10 Person

03R48X120



Starting Price: **\$16,332**

48x120 table, slab veneer Tier 1 top, open painted base with no metal trim, powder coat finish

Pattern Number: 03R48X120

Step 1. Top Material

S	Slab (veneer only)	
V	Veneer layered	
G	Glass layered	
C	Corian layered	
Q	Caesarstone layered	

Step 2. Base Options

ON	Open Base, no metal trim	+ 0
OT	Open Base, with metal trim	+ 1,958

Step 3. Metal Finish

MC __	Powder Coat	+0
PM01	Polished Chrome	+380
PM03	Satin Nickel	+380
PM03	Oil Rubbed Bronze	+380

Step 4A. Top Finish

T1 __	Veneer Tier 1	+0
T2 __	Veneer Tier 2	+846
T3 __	Veneer Tier 3	+2,585
GC01	Clear Glass, back painted, white	+1,857
GC __	Clear Glass, back painted, color	+2,815
GE01	Etched matte Glass, back painted, white	+2,625
GE __	Etched matte Glass, back painted, color	+3,622
CS01	Corian Glacier White	+4,201
QS __	Caesarstone	+12,415

Step 4B. Lower Layer Finish (Layer top only)

SL __	Satin Lacquer	+482
T ___	Veneer Tier 1, 2, 3	+642
HG __	High Gloss Polyester	+706

Step 5. Base Finish

T1 __	Veneer Tier 1	+728
T2 __	Veneer Tier 2	+1,530
T3 __	Veneer Tier 3	+3,092
SL __	Satin Lacquer	+0
HG __	High Gloss Polyester	+3,338

Step 6. Power & Connectivity Access: Optional

DRHW	Drawer, Hardwired (layered edge only), Qty 6	+10,242
DRPI	Drawer, Plug In (layered edge only), Qty 6	+8,766
TMHW	Tabletop Metal lid, Hardwired, Qty 2	+3,996
TMPI	Tabletop Metal lid, Plug In, Qty 2	+3,498
TWHW	Tabletop Wood lid, Hardwired (veneer tops only), Qty 2	+5,122
TWPI	Tabletop Wood lid, Plug In (veneer tops only), Qty 2	+4,596
UMHW	Undermount, Hardwired, Qty 6	+5,340
UMPI	Undermount, Plug In, Qty 6	+3,864

Step 7. Microphone and/or Grommet Accommodations: Optional

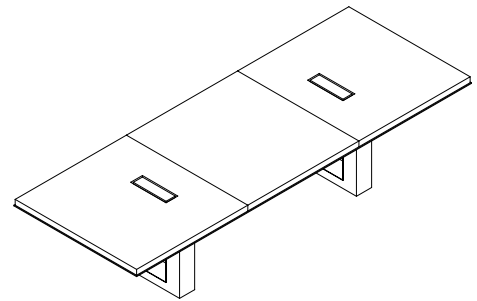
MA __	Microphone hole (factory cut)	Qty __ x 321 each
GM __	2" Grommet hole (factory cut), liner, lid, in matching metal finish	Qty __ x 423 each

Please consult [page 7](#) for the palette of DatesWeiser finishes. Natural stone, non-standard glass and veneer, and other technology options are available. Please email customerservice@datesweiser.com for a custom quote. Consult technical information on [page 294](#) for construction details and technical information.

Highline Fifty Rectangular Conference Table

48"x132"/ 10 Person

03R48X132



Starting Price: **\$20,479**

48x132 table, slab veneer Tier 1 top, open painted base with no metal trim, powder coat finish

Pattern Number: 03R48X132

Step 1. Top Material

S	Slab (veneer only)	
V	Veneer layered	
G	Glass layered	
C	Corian layered	
Q	Caesarstone layered	

Step 2. Base Options

ON	Open Base, no metal trim	+ 0
OT	Open Base, with metal trim	+ 1,958

Step 3. Metal Finish

MC __	Powder Coat	+0
PM01	Polished Chrome	+401
PM03	Satin Nickel	+401
PM03	Oil Rubbed Bronze	+401

Step 4A. Top Finish

T1 __	Veneer Tier 1	+0
T2 __	Veneer Tier 2	+952
T3 __	Veneer Tier 3	+2,846
GC01	Clear Glass, back painted, white	+2,177
GC __	Clear Glass, back painted, color	+3,370
GE01	Etched matte Glass, back painted, white	+3,021
GE __	Etched matte Glass, back painted, color	+4,258
CS01	Corian Glacier White	+4,954
QS __	Caesarstone	+15,126

Step 4B. Lower Layer Finish (Layer top only)

SL __	Satin Lacquer	+487
T ___	Veneer Tier 1, 2, 3	+685
HG __	High Gloss Polyester	+753

Step 5. Base Finish

T1 __	Veneer Tier 1	+728
T2 __	Veneer Tier 2	+1,530
T3 __	Veneer Tier 3	+3,092
SL __	Satin Lacquer	+0
HG __	High Gloss Polyester	+3,338

Step 6. Power & Connectivity Access: Optional

DRHW	Drawer, Hardwired (layered edge only), Qty 6	+10,242
DRPI	Drawer, Plug In (layered edge only), Qty 6	+8,766
TMHW	Tabletop Metal lid, Hardwired, Qty 2	+3,996
TMPI	Tabletop Metal lid, Plug In, Qty 2	+3,498
TWHW	Tabletop Wood lid, Hardwired (veneer tops only), Qty 2	+5,122
TWPI	Tabletop Wood lid, Plug In (veneer tops only), Qty 2	+4,596
UMHW	Undermount, Hardwired, Qty 6	+5,340
UMPI	Undermount, Plug In, Qty 6	+3,864

Step 7. Microphone and/or Grommet Accommodations: Optional

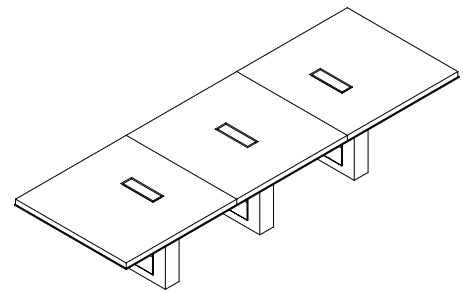
MA __	Microphone hole (factory cut)	Qty __ x 321 each
GM __	2" Grommet hole (factory cut), liner, lid, in matching metal finish	Qty __ x 423 each

Please consult [page 7](#) for the palette of DatesWeiser finishes. Natural stone, non-standard glass and veneer, and other technology options are available. Please email customerservice@datesweiser.com for a custom quote. Consult technical information on [page 294](#) for construction details and technical information.

Highline Fifty Rectangular Conference Table

48"x144"/ 10 Person

03R48X144



Starting Price: \$21,500

48x144 table, slab veneer Tier 1 top, open painted base with no metal trim, powder coat finish

Pattern Number: 03R48X144

Step 1. Top Material

S	Slab (veneer only)	
V	Veneer layered	
G	Glass layered	
C	Corian layered	
Q	Caesarstone layered	

Step 2. Base Options

ON	Open Base, no metal trim	+ 0
OT	Open Base, with metal trim	+2,937

Step 3. Metal Finish

MC __	Powder Coat	+0
PM01	Polished Chrome	+412
PM03	Satin Nickel	+412
PM03	Oil Rubbed Bronze	+412

Step 4A. Top Finish

T1 __	Veneer Tier 1	+0
T2 __	Veneer Tier 2	+1,027
T3 __	Veneer Tier 3	+3,108
GC01	Clear Glass, back painted, white	+2,563
GC __	Clear Glass, back painted, color	+3,830
GE01	Etched matte Glass, back painted, white	+3,589
GE __	Etched matte Glass, back painted, color	+4,911
CS01	Corian Glacier White	+5,687
QS __	Caesarstone	+16,561

Step 4B. Lower Layer Finish (Layer top only)

SL __	Satin Lacquer	+498
T ___	Veneer Tier 1, 2, 3	+728
HG __	High Gloss Polyester	+800

Step 5. Base Finish

T1 __	Veneer Tier 1	+1,092
T2 __	Veneer Tier 2	+2,295
T3 __	Veneer Tier 3	+4,638
SL __	Satin Lacquer	+0
HG __	High Gloss Polyester	+5,007

Step 6. Power & Connectivity Access: Optional

DRHW	Drawer, Hardwired (layered edge only), Qty 6	+10,242
DRPI	Drawer, Plug In (layered edge only), Qty 6	+8,766
TMHW	Tabletop Metal lid, Hardwired, Qty 3	+5,994
TMPI	Tabletop Metal lid, Plug In, Qty 3	+5,247
TWHW	Tabletop Wood lid, Hardwired (veneer tops only), Qty 3	+7,683
TWPI	Tabletop Wood lid, Plug In (veneer tops only), Qty 3	+6,894
UMHW	Undermount, Hardwired, Qty 6	+5,340
UMPI	Undermount, Plug In, Qty 6	+3,864

Step 7. Microphone and/or Grommet Accommodations: Optional

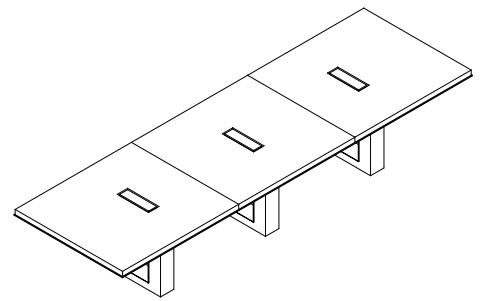
MA __	Microphone hole (factory cut)	Qty __ x 321 each
GM __	2" Grommet hole (factory cut), liner, lid, in matching metal finish	Qty __ x 423 each

Please consult [page 7](#) for the palette of DatesWeiser finishes. Natural stone, non-standard glass and veneer, and other technology options are available. Please email customerservice@datesweiser.com for a custom quote. Consult technical information on [page 294](#) for construction details and technical information.

Highline Fifty Rectangular Conference Table

48"x156"/ 10 Person

03R48X156



Starting Price: **\$22,168**

48x156 table, slab veneer Tier 1 top, open painted base with no metal trim, powder coat finish

Pattern Number: 03R48X156

Step 1. Top Material

S	Slab (veneer only)	
V	Veneer layered	
G	Glass layered	
C	Corian layered	
Q	Caesarstone layered	

Step 2. Base Options

ON	Open Base, no metal trim	+ 0
OT	Open Base, with metal trim	+ 2,937

Step 3. Metal Finish

MC __	Powder Coat	+0
PM01	Polished Chrome	+530
PM03	Satin Nickel	+530
PM03	Oil Rubbed Bronze	+530

Step 4A. Top Finish

T1 __	Veneer Tier 1	+0
T2 __	Veneer Tier 2	+1,172
T3 __	Veneer Tier 3	+3,398
GC01	Clear Glass, back painted, white	+2,586
GC __	Clear Glass, back painted, color	+3,890
GE01	Etched matte Glass, back painted, white	+3,578
GE __	Etched matte Glass, back painted, color	+4,933
CS01	Corian Glacier White	+5,735
QS __	Caesarstone	+16,897

Step 4B. Lower Layer Finish (Layer top only)

SL __	Satin Lacquer	+514
T ___	Veneer Tier 1, 2, 3	+733
HG __	High Gloss Polyester	+807

Step 5. Base Finish

T1 __	Veneer Tier 1	+1,092
T2 __	Veneer Tier 2	+2,295
T3 __	Veneer Tier 3	+4,638
SL __	Satin Lacquer	+0
HG __	High Gloss Polyester	+5,007

Step 6. Power & Connectivity Access: Optional

DRHW	Drawer, Hardwired (layered edge only), Qty 6	+10,242
DRPI	Drawer, Plug In (layered edge only), Qty 6	+8,766
TMHW	Tabletop Metal lid, Hardwired, Qty 3	+5,994
TMPI	Tabletop Metal lid, Plug In, Qty 3	+5,247
TWHW	Tabletop Wood lid, Hardwired (veneer tops only), Qty 3	+7,683
TWPI	Tabletop Wood lid, Plug In (veneer tops only), Qty 3	+6,894
UMHW	Undermount, Hardwired, Qty 6	+5,340
UMPI	Undermount, Plug In, Qty 6	+3,864

Step 7. Microphone and/or Grommet Accommodations: Optional

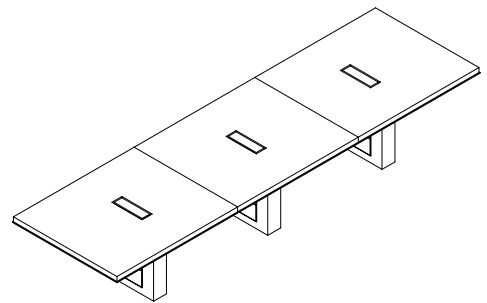
MA __	Microphone hole (factory cut)	Qty __ x 321 each
GM __	2" Grommet hole (factory cut), liner, lid, in matching metal finish	Qty __ x 423 each

Please consult [page 7](#) for the palette of DatesWeiser finishes. Natural stone, non-standard glass and veneer, and other technology options are available. Please email customerservice@datesweiser.com for a custom quote. Consult technical information on [page 294](#) for construction details and technical information.

Highline Fifty Rectangular Conference Table

48"x168"/ 12 Person

03R48X168



Starting Price: **\$23,358**

48x168 table, slab veneer Tier 1 top, open painted base with no metal trim, powder coat finish

Pattern Number: 03R48X168

Step 1. Top Material

S	Slab (veneer only)	
V	Veneer layered	
G	Glass layered	
C	Corian layered	
Q	Caesarstone layered	

Step 2. Base Options

ON	Open Base, no metal trim	+ 0
OT	Open Base, with metal trim	+2,937

Step 3. Metal Finish

MC __	Powder Coat	+0
PM01	Polished Chrome	+540
PM03	Satin Nickel	+540
PM03	Oil Rubbed Bronze	+540

Step 4A. Top Finish

T1 __	Veneer Tier 1	+0
T2 __	Veneer Tier 2	+1,204
T3 __	Veneer Tier 3	+3,643
GC01	Clear Glass, back painted, white	+2,542
GC __	Clear Glass, back painted, color	+3,906
GE01	Etched matte Glass, back painted, white	+3,600
GE __	Etched matte Glass, back painted, color	+5,018
CS01	Corian Glacier White	+5,912
QS __	Caesarstone	+17,619

Step 4B. Lower Layer Finish (Layer top only)

SL __	Satin Lacquer	+562
T ___	Veneer Tier 1, 2, 3	+808
HG __	High Gloss Polyester	+889

Step 5. Base Finish

T1 __	Veneer Tier 1	+1,092
T2 __	Veneer Tier 2	+2,295
T3 __	Veneer Tier 3	+4,638
SL __	Satin Lacquer	+0
HG __	High Gloss Polyester	+5,007

Step 6. Power & Connectivity Access: Optional

DRHW	Drawer, Hardwired (layered edge only), Qty 6	+10,242
DRPI	Drawer, Plug In (layered edge only), Qty 6	+8,766
TMHW	Tabletop Metal lid, Hardwired, Qty 3	+5,994
TMPI	Tabletop Metal lid, Plug In, Qty 3	+5,247
TWHW	Tabletop Wood lid, Hardwired (veneer tops only), Qty 3	+7,683
TWPI	Tabletop Wood lid, Plug In (veneer tops only), Qty 3	+6,894
UMHW	Undermount, Hardwired, Qty 6	+5,340
UMPI	Undermount, Plug In, Qty 6	+3,864

Step 7. Microphone and/or Grommet Accommodations: Optional

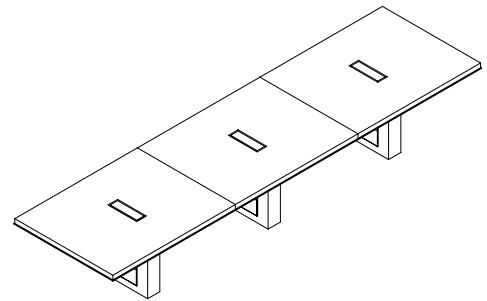
MA __	Microphone hole (factory cut)	Qty __ x 321 each
GM __	2" Grommet hole (factory cut), liner, lid, in matching metal finish	Qty __ x 423 each

Please consult [page 7](#) for the palette of DatesWeiser finishes. Natural stone, non-standard glass and veneer, and other technology options are available. Please email customerservice@datesweiser.com for a custom quote. Consult technical information on [page 294](#) for construction details and technical information.

Highline Fifty Rectangular Conference Table

48"x180"/ 14 Person

03R48X180



Starting Price: **\$24,090**

48x180 table, slab veneer Tier 1 top, open painted base with no metal trim, powder coat finish

Pattern Number: 03R48X180

Step 1. Top Material

S	Slab (veneer only)	
V	Veneer layered	
G	Glass layered	
C	Corian layered	
Q	Caesarstone layered	

Step 2. Base Options

ON	Open Base, no metal trim	+ 0
OT	Open Base, with metal trim	+2,937

Step 3. Metal Finish

MC __	Powder Coat	+0
PM01	Polished Chrome	+551
PM03	Satin Nickel	+551
PM03	Oil Rubbed Bronze	+551

Step 4A. Top Finish

T1 __	Veneer Tier 1	+0
T2 __	Veneer Tier 2	+1,284
T3 __	Veneer Tier 3	+3,734
GC01	Clear Glass, back painted, white	+2,551
GC __	Clear Glass, back painted, color	+3,954
GE01	Etched matte Glass, back painted, white	+3,725
GE __	Etched matte Glass, back painted, color	+5,189
CS01	Corian Glacier White	+5,976
QS __	Caesarstone	+18,002

Step 4B. Lower Layer Finish (Layer top only)

SL __	Satin Lacquer	+594
T ___	Veneer Tier 1, 2, 3	+893
HG __	High Gloss Polyester	+983

Step 5. Base Finish

T1 __	Veneer Tier 1	+1,092
T2 __	Veneer Tier 2	+2,295
T3 __	Veneer Tier 3	+4,638
SL __	Satin Lacquer	+0
HG __	High Gloss Polyester	+5,007

Step 6. Power & Connectivity Access: Optional

DRHW	Drawer, Hardwired (layered edge only), Qty 8	+13,656
DRPI	Drawer, Plug In (layered edge only), Qty 8	+11,688
TMHW	Tabletop Metal lid, Hardwired, Qty 3	+5,994
TMPI	Tabletop Metal lid, Plug In, Qty 3	+5,247
TWHW	Tabletop Wood lid, Hardwired (veneer tops only), Qty 3	+7,683
TWPI	Tabletop Wood lid, Plug In (veneer tops only), Qty 3	+6,894
UMHW	Undermount, Hardwired, Qty 8	+7,120
UMPI	Undermount, Plug In, Qty 8	+5,152

Step 7. Microphone and/or Grommet Accommodations: Optional

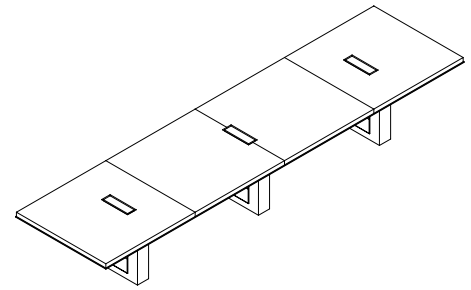
MA __	Microphone hole (factory cut)	Qty __ x 321 each
GM __	2" Grommet hole (factory cut), liner, lid, in matching metal finish	Qty __ x 423 each

Please consult [page 7](#) for the palette of DatesWeiser finishes. Natural stone, non-standard glass and veneer, and other technology options are available. Please email customerservice@datesweiser.com for a custom quote. Consult technical information on [page 294](#) for construction details and technical information.

Highline Fifty Rectangular Conference Table

48"x192"/ 14 Person

03R48X192



Starting Price: **\$27,846**

48x192 table, slab veneer Tier 1 top, open painted base with no metal trim, powder coat finish

Pattern Number: 03R48X192

Step 1. Top Material

S	Slab (veneer only)	
V	Veneer layered	
G	Glass layered	
C	Corian layered	
Q	Caesarstone layered	

Step 2. Base Options

ON	Open Base, no metal trim	+ 0
OT	Open Base, with metal trim	+ 2,937

Step 3. Metal Finish

MC __	Powder Coat	+0
PM01	Polished Chrome	+562
PM03	Satin Nickel	+562
PM03	Oil Rubbed Bronze	+562

Step 4A. Top Finish

T1 __	Veneer Tier 1	+0
T2 __	Veneer Tier 2	+1,385
T3 __	Veneer Tier 3	+4,167
GC01	Clear Glass, back painted, white	+3,024
GC __	Clear Glass, back painted, color	+4,649
GE01	Etched matte Glass, back painted, white	+4,238
GE __	Etched matte Glass, back painted, color	+5,927
CS01	Corian Glacier White	+7,222
QS __	Caesarstone	+21,249

Step 4B. Lower Layer Finish (Layer top only)

SL __	Satin Lacquer	+647
T ___	Veneer Tier 1, 2, 3	+915
HG __	High Gloss Polyester	+1,007

Step 5. Base Finish

T1 __	Veneer Tier 1	+1,092
T2 __	Veneer Tier 2	+2,295
T3 __	Veneer Tier 3	+4,638
SL __	Satin Lacquer	+0
HG __	High Gloss Polyester	+5,007

Step 6. Power & Connectivity Access: Optional

DRHW	Drawer, Hardwired (layered edge only), Qty 8	+13,656
DRPI	Drawer, Plug In (layered edge only), Qty 8	+11,688
TMHW	Tabletop Metal lid, Hardwired, Qty 3	+5,994
TMPI	Tabletop Metal lid, Plug In, Qty 3	+5,247
TWHW	Tabletop Wood lid, Hardwired (veneer tops only), Qty 3	+7,683
TWPI	Tabletop Wood lid, Plug In (veneer tops only), Qty 3	+6,894
UMHW	Undermount, Hardwired, Qty 8	+7,120
UMPI	Undermount, Plug In, Qty 8	+5,152

Step 7. Microphone and/or Grommet Accommodations: Optional

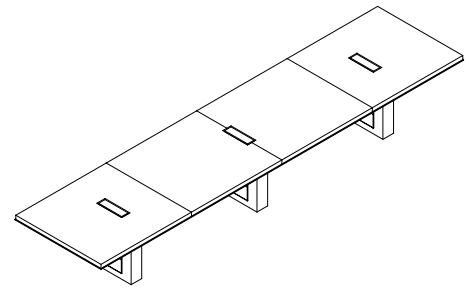
MA __	Microphone hole (factory cut)	Qty __ x 321 each
GM __	2" Grommet hole (factory cut), liner, lid, in matching metal finish	Qty __ x 423 each

Please consult [page 7](#) for the palette of DatesWeiser finishes. Natural stone, non-standard glass and veneer, and other technology options are available. Please email customerservice@datesweiser.com for a custom quote. Consult technical information on [page 294](#) for construction details and technical information.

Highline Fifty Rectangular Conference Table

48"x204"/ 14 Person

03R48X204



Starting Price: **\$28,606**

48x204 table, slab veneer Tier 1 top, open painted base with no metal trim, powder coat finish

Pattern Number: 03R48X204

Step 1. Top Material

S	Slab (veneer only)	
V	Veneer layered	
G	Glass layered	
C	Corian layered	
Q	Caesarstone layered	

Step 2. Base Options

ON	Open Base, no metal trim	+ 0
OT	Open Base, with metal trim	+2,937

Step 3. Metal Finish

MC __	Powder Coat	+0
PM01	Polished Chrome	+572
PM03	Satin Nickel	+572
PM03	Oil Rubbed Bronze	+572

Step 4A. Top Finish

T1 __	Veneer Tier 1	+0
T2 __	Veneer Tier 2	+1,461
T3 __	Veneer Tier 3	+4,409
GC01	Clear Glass, back painted, white	+3,098
GC __	Clear Glass, back painted, color	+4,767
GE01	Etched matte Glass, back painted, white	+4,333
GE __	Etched matte Glass, back painted, color	+6,067
CS01	Corian Glacier White	+7,244
QS __	Caesarstone	+21,583

Step 4B. Lower Layer Finish (Layer top only)

SL __	Satin Lacquer	+679
T ___	Veneer Tier 1, 2, 3	+963
HG __	High Gloss Polyester	+1,059

Step 5. Base Finish

T1 __	Veneer Tier 1	+1,092
T2 __	Veneer Tier 2	+2,295
T3 __	Veneer Tier 3	+4,638
SL __	Satin Lacquer	+0
HG __	High Gloss Polyester	+5,007

Step 6. Power & Connectivity Access: Optional

DRHW	Drawer, Hardwired (layered edge only), Qty 8	+13,656
DRPI	Drawer, Plug In (layered edge only), Qty 8	+11,688
TMHW	Tabletop Metal lid, Hardwired, Qty 3	+5,994
TMPI	Tabletop Metal lid, Plug In, Qty 3	+5,247
TWHW	Tabletop Wood lid, Hardwired (veneer tops only), Qty 3	+7,683
TWPI	Tabletop Wood lid, Plug In (veneer tops only), Qty 3	+6,894
UMHW	Undermount, Hardwired, Qty 8	+7,120
UMPI	Undermount, Plug In, Qty 8	+5,152

Step 7. Microphone and/or Grommet Accommodations: Optional

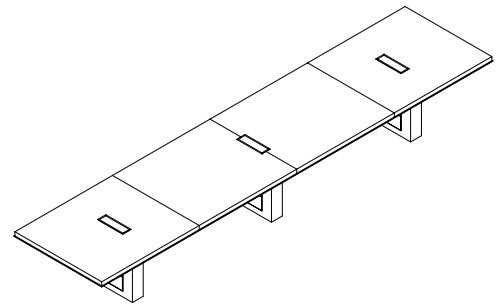
MA __	Microphone hole (factory cut)	Qty __ x 321 each
GM __	2" Grommet hole (factory cut), liner, lid, in matching metal finish	Qty __ x 423 each

Please consult [page 7](#) for the palette of DatasWeiser finishes. Natural stone, non-standard glass and veneer, and other technology options are available. Please email customerservice@datasweiser.com for a custom quote. Consult technical information on [page 294](#) for construction details and technical information.

Highline Fifty Rectangular Conference Table

48"x216"/ 16 Person

03R48X216



Starting Price: **\$29,358**

48x216 table, slab veneer Tier 1 top, open painted base with no metal trim, powder coat finish

Pattern Number: 03R48X216

Step 1. Top Material

S	Slab (veneer only)	
V	Veneer layered	
G	Glass layered	
C	Corian layered	
Q	Caesarstone layered	

Step 2. Base Options

ON	Open Base, no metal trim	+ 0
OT	Open Base, with metal trim	+2,937

Step 3. Metal Finish

MC __	Powder Coat	+0
PM01	Polished Chrome	+583
PM03	Satin Nickel	+583
PM03	Oil Rubbed Bronze	+583

Step 4A. Top Finish

T1 __	Veneer Tier 1	+0
T2 __	Veneer Tier 2	+1,578
T3 __	Veneer Tier 3	+4,697
GC01	Clear Glass, back painted, white	+3,182
GC __	Clear Glass, back painted, color	+4,895
GE01	Etched matte Glass, back painted, white	+4,376
GE __	Etched matte Glass, back painted, color	+6,152
CS01	Corian Glacier White	+7,281
QS __	Caesarstone	+21,936

Step 4B. Lower Layer Finish (Layer top only)

SL __	Satin Lacquer	+712
T ___	Veneer Tier 1, 2, 3	+1,017
HG __	High Gloss Polyester	+1,118

Step 5. Base Finish

T1 __	Veneer Tier 1	+1,092
T2 __	Veneer Tier 2	+2,295
T3 __	Veneer Tier 3	+4,638
SL __	Satin Lacquer	+0
HG __	High Gloss Polyester	+5,007

Step 6. Power & Connectivity Access: Optional

DRHW	Drawer, Hardwired (layered edge only), Qty 8	+13,656
DRPI	Drawer, Plug In (layered edge only), Qty 8	+11,688
TMHW	Tabletop Metal lid, Hardwired, Qty 3	+5,994
TMPI	Tabletop Metal lid, Plug In, Qty 3	+5,247
TWHW	Tabletop Wood lid, Hardwired (veneer tops only), Qty 3	+7,683
TWPI	Tabletop Wood lid, Plug In (veneer tops only), Qty 3	+6,894
UMHW	Undermount, Hardwired, Qty 8	+7,120
UMPI	Undermount, Plug In, Qty 8	+5,152

Step 7. Microphone and/or Grommet Accommodations: Optional

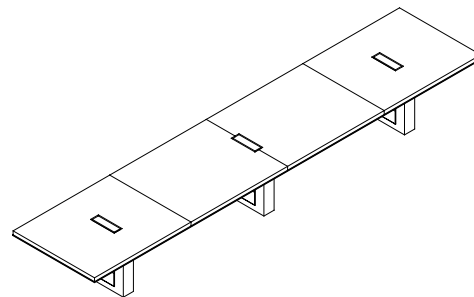
MA __	Microphone hole (factory cut)	Qty __ x 321 each
GM __	2" Grommet hole (factory cut), liner, lid, in matching metal finish	Qty __ x 423 each

Please consult [page 7](#) for the palette of DatesWeiser finishes. Natural stone, non-standard glass and veneer, and other technology options are available. Please email customerservice@datesweiser.com for a custom quote. Consult technical information on [page 294](#) for construction details and technical information.

Highline Fifty Rectangular Conference Table

48"x228"/ 16 Person

03R48X228



Starting Price: **\$30,138**

48x228 table, slab veneer Tier 1 top, open painted base with no metal trim, powder coat finish

Pattern Number: 03R48X228

Step 1. Top Material

S	Slab (veneer only)	
V	Veneer layered	
G	Glass layered	
C	Corian layered	
Q	Caesarstone layered	

Step 2. Base Options

ON	Open Base, no metal trim	+ 0
OT	Open Base, with metal trim	+2,937

Step 3. Metal Finish

MC __	Powder Coat	+0
PM01	Polished Chrome	+594
PM03	Satin Nickel	+594
PM03	Oil Rubbed Bronze	+594

Step 4A. Top Finish

T1 __	Veneer Tier 1	+0
T2 __	Veneer Tier 2	+1,621
T3 __	Veneer Tier 3	+4,900
GC01	Clear Glass, back painted, white	+3,351
GC __	Clear Glass, back painted, color	+5,114
GE01	Etched matte Glass, back painted, white	+4,459
GE __	Etched matte Glass, back painted, color	+6,281
CS01	Corian Glacier White	+7,356
QS __	Caesarstone	+22,353

Step 4B. Lower Layer Finish (Layer top only)

SL __	Satin Lacquer	+722
T ___	Veneer Tier 1, 2, 3	+1,070
HG __	High Gloss Polyester	+1,177

Step 5. Base Finish

T1 __	Veneer Tier 1	+1,092
T2 __	Veneer Tier 2	+2,295
T3 __	Veneer Tier 3	+4,638
SL __	Satin Lacquer	+0
HG __	High Gloss Polyester	+5,007

Step 6. Power & Connectivity Access: Optional

DRHW	Drawer, Hardwired (layered edge only), Qty 8	+13,656
DRPI	Drawer, Plug In (layered edge only), Qty 8	+11,688
TMHW	Tabletop Metal lid, Hardwired, Qty 3	+5,994
TMPI	Tabletop Metal lid, Plug In, Qty 3	+5,247
TWHW	Tabletop Wood lid, Hardwired (veneer tops only), Qty 3	+7,683
TWPI	Tabletop Wood lid, Plug In (veneer tops only), Qty 3	+6,894
UMHW	Undermount, Hardwired, Qty 8	+7,120
UMPI	Undermount, Plug In, Qty 8	+5,152

Step 7. Microphone and/or Grommet Accommodations: Optional

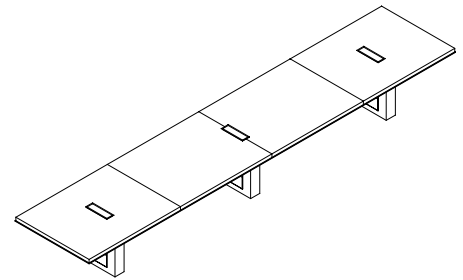
MA __	Microphone hole (factory cut)	Qty __ x 321 each
GM __	2" Grommet hole (factory cut), liner, lid, in matching metal finish	Qty __ x 423 each

Please consult [page 7](#) for the palette of DatesWeiser finishes. Natural stone, non-standard glass and veneer, and other technology options are available. Please email customerservice@datesweiser.com for a custom quote. Consult technical information on [page 294](#) for construction details and technical information.

Highline Fifty Rectangular Conference Table

48"x240"/ 18 Person

03R48X240



Starting Price: **\$30,879**

48x240 table, slab veneer Tier 1 top, open painted base with no metal trim, powder coat finish

Pattern Number: 03R48X240

Step 1. Top Material

S	Slab (veneer only)	
V	Veneer layered	
G	Glass layered	
C	Corian layered	
Q	Caesarstone layered	

Step 2. Base Options

ON	Open Base, no metal trim	+ 0
OT	Open Base, with metal trim	+2,937

Step 3. Metal Finish

MC __	Powder Coat	+0
PM01	Polished Chrome	+605
PM03	Satin Nickel	+605
PM03	Oil Rubbed Bronze	+605

Step 4A. Top Finish

T1 __	Veneer Tier 1	+0
T2 __	Veneer Tier 2	+1,712
T3 __	Veneer Tier 3	+5,088
GC01	Clear Glass, back painted, white	+3,452
GC __	Clear Glass, back painted, color	+5,259
GE01	Etched matte Glass, back painted, white	+4,539
GE __	Etched matte Glass, back painted, color	+6,404
CS01	Corian Glacier White	+7,474
QS __	Caesarstone	+22,815

Step 4B. Lower Layer Finish (Layer top only)

SL __	Satin Lacquer	+760
T ___	Veneer Tier 1, 2, 3	+1,150
HG __	High Gloss Polyester	+1,266

Step 5. Base Finish

T1 __	Veneer Tier 1	+1,092
T2 __	Veneer Tier 2	+2,295
T3 __	Veneer Tier 3	+4,638
SL __	Satin Lacquer	+0
HG __	High Gloss Polyester	+5,007

Step 6. Power & Connectivity Access: Optional

DRHW	Drawer, Hardwired (layered edge only), Qty 10	+17,070
DRPI	Drawer, Plug In (layered edge only), Qty 10	+14,610
TMHW	Tabletop Metal lid, Hardwired, Qty 3	+5,994
TMPI	Tabletop Metal lid, Plug In, Qty 3	+5,247
TWHW	Tabletop Wood lid, Hardwired (veneer tops only), Qty 3	+7,683
TWPI	Tabletop Wood lid, Plug In (veneer tops only), Qty 3	+6,894
UMHW	Undermount, Hardwired, Qty 10	+8,900
UMPI	Undermount, Plug In, Qty 10	+6,440

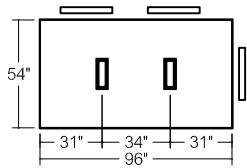
Step 7. Microphone and/or Grommet Accommodations: Optional

MA __	Microphone hole (factory cut)	Qty __ x 321 each
GM __	2" Grommet hole (factory cut), liner, lid, in matching metal finish	Qty __ x 423 each

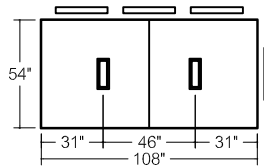
Please consult [page 7](#) for the palette of DatesWeiser finishes. Natural stone, non-standard glass and veneer, and other technology options are available. Please email customerservice@datesweiser.com for a custom quote. Consult technical information on [page 294](#) for construction details and technical information.

Highline Fifty Conference Tables Index

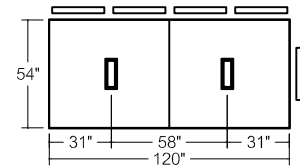
54" width



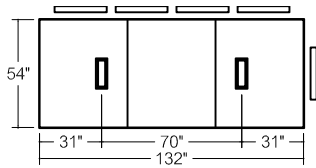
03R54X96
6 Person Table



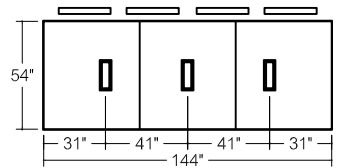
03R54X108
8 Person Table



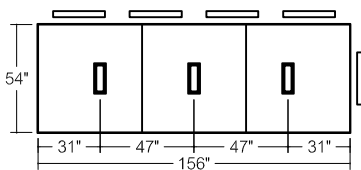
03R54X120
10 Person Table



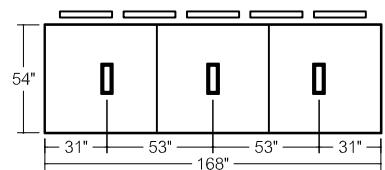
03R54X132
10 Person Table



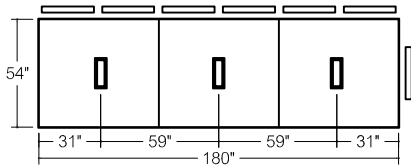
03R54X144
10 Person Table



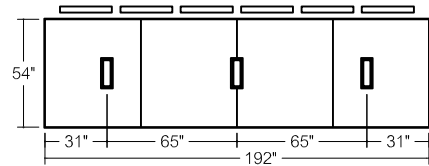
03R54X156
10 Person Table



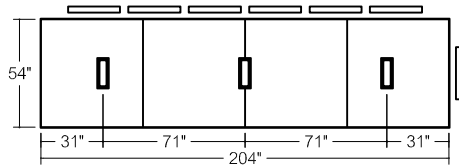
03R54X168
12 Person Table



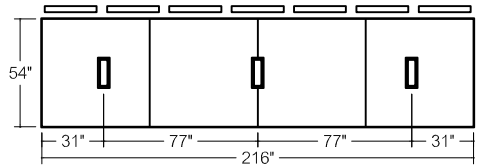
03R54X180
14 Person Table



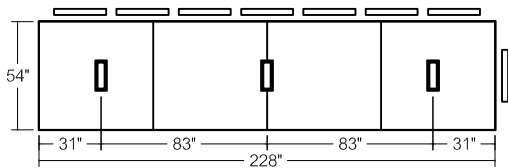
03R54X192
14 Person Table



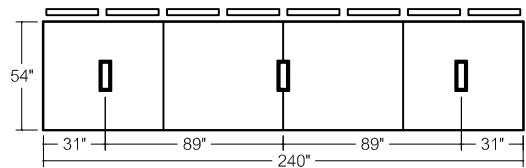
03R54X204
14 Person Table



03R54X216
16 Person Table



03R54X228
16 Person Table

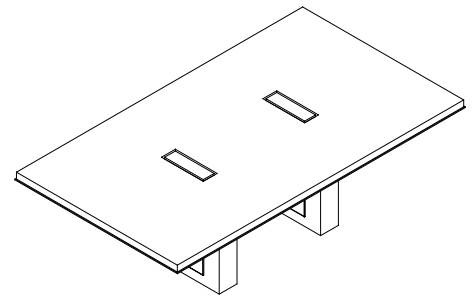


03R54X240
18 Person Table

Highline Fifty Rectangular Conference Table

54"x96"/ 6 Person

03R54X96



Starting Price: **\$16,097**

54x96 table, slab veneer Tier 1 top, open painted base with no metal trim, powder coat finish

Pattern Number: 03R54X96

Step 1. Top Material

S	Slab (veneer only)	
V	Veneer layered	
G	Glass layered	
C	Corian layered	
Q	Caesarstone layered	

Step 2. Base Options

ON	Open Base, no metal trim	+ 0
OT	Open Base, with metal trim	+ 1,958

Step 3. Metal Finish

MC __	Powder Coat	+0
PM01	Polished Chrome	+369
PM02	Satin Nickel	+369
PM03	Oil Rubbed Bronze	+369

Step 4A. Top Finish

T1 __	Veneer Tier 1	+0
T2 __	Veneer Tier 2	+789
T3 __	Veneer Tier 3	+1,968
GC01	Clear Glass, back painted, white	+1,013
GC __	Clear Glass, back painted, color	+1,914
GE01	Etched matte Glass, back painted, white	+1,357
GE __	Etched matte Glass, back painted, color	+2,275
CS01	Corian Glacier White	+2,786
QS __	Caesarstone	+10,341

Step 4B. Lower Layer Finish (Layer top only)

SL __	Satin Lacquer	+379
T ___	Veneer Tier 1, 2, 3	+571
HG __	High Gloss Polyester	+629

Step 5. Base Finish

T1 __	Veneer Tier 1	+728
T2 __	Veneer Tier 2	+1,530
T3 __	Veneer Tier 3	+3,092
SL __	Satin Lacquer	+0
HG __	High Gloss Polyester	+3,338

Step 6. Power & Connectivity Access: Optional

DRHW	Drawer, Hardwired (layered edge only), Qty 4	+6,828
DRPI	Drawer, Plug In (layered edge only), Qty 4	+5,844
TMHW	Tabletop Metal lid, Hardwired, Qty 2	+3,996
TMPI	Tabletop Metal lid, Plug In, Qty 2	+3,498
TWHW	Tabletop Wood lid, Hardwired (veneer tops only), Qty 2	+5,122
TWPI	Tabletop Wood lid, Plug In (veneer tops only), Qty 2	+4,596
UMHW	Undermount, Hardwired, Qty 4	+3,560
UMPI	Undermount, Plug In, Qty 4	+2,576

Step 7. Microphone and/or Grommet Accommodations: Optional

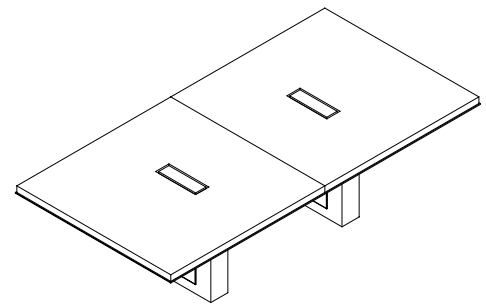
MA __	Microphone hole (factory cut)	Qty __ x 321 each
GM __	2" Grommet hole (factory cut), liner, lid, in matching metal finish	Qty __ x 423 each

Please consult [page 7](#) for the palette of DatesWeiser finishes. Natural stone, non-standard glass and veneer, and other technology options are available. Please email customerservice@datesweiser.com for a custom quote. Consult technical information on [page 294](#) for construction details and technical information.

Highline Fifty Rectangular Conference Table

54"x108"/ 8 Person

03R54X108



Starting Price: **\$17,496**

54x208 table, slab veneer Tier 1 top, open painted base with no metal trim, powder coat finish

Pattern Number: 03R54X108

Step 1. Top Material

S	Slab (veneer only)	
V	Veneer layered	
G	Glass layered	
C	Corian layered	
Q	Caesarstone layered	

Step 2. Base Options

ON	Open Base, no metal trim	+ 0
OT	Open Base, with metal trim	+1,958

Step 3. Metal Finish

MC __	Powder Coat	+0
PM01	Polished Chrome	+375
PM03	Satin Nickel	+375
PM03	Oil Rubbed Bronze	+375

Step 4A. Top Finish

T1 __	Veneer Tier 1	+0
T2 __	Veneer Tier 2	+878
T3 __	Veneer Tier 3	+2,100
GC01	Clear Glass, back painted, white	+1,263
GC __	Clear Glass, back painted, color	+2,251
GE01	Etched matte Glass, back painted, white	+1,783
GE __	Etched matte Glass, back painted, color	+2,798
CS01	Corian Glacier White	+3,465
QS __	Caesarstone	+11,849

Step 4B. Lower Layer Finish (Layer top only)

SL __	Satin Lacquer	+415
T ___	Veneer Tier 1, 2, 3	+632
HG __	High Gloss Polyester	+696

Step 5. Base Finish

T1 __	Veneer Tier 1	+728
T2 __	Veneer Tier 2	+1,530
T3 __	Veneer Tier 3	+3,092
SL __	Satin Lacquer	+0
HG __	High Gloss Polyester	+3,338

Step 6. Power & Connectivity Access: Optional

DRHW	Drawer, Hardwired (layered edge only), Qty 4	+6,828
DRPI	Drawer, Plug In (layered edge only), Qty 4	+5,844
TMHW	Tabletop Metal lid, Hardwired, Qty 2	+3,996
TMPI	Tabletop Metal lid, Plug In, Qty 2	+3,498
TWHW	Tabletop Wood lid, Hardwired (veneer tops only), Qty 2	+5,122
TWPI	Tabletop Wood lid, Plug In (veneer tops only), Qty 2	+4,596
UMHW	Undermount, Hardwired, Qty 2	+3,560
UMPI	Undermount, Plug In, Qty 2	+2,576

Step 7. Microphone and/or Grommet Accommodations: Optional

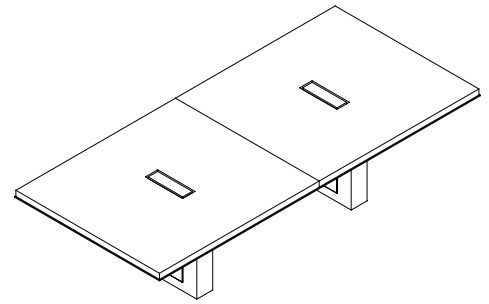
MA __	Microphone hole (factory cut)	Qty __ x 321 each
GM __	2" Grommet hole (factory cut), liner, lid, in matching metal finish	Qty __ x 423 each

Please consult [page 7](#) for the palette of DatesWeiser finishes. Natural stone, non-standard glass and veneer, and other technology options are available. Please email customerservice@datesweiser.com for a custom quote. Consult technical information on [page 294](#) for construction details and technical information.

Highline Fifty Rectangular Conference Table

54"x120"/ 10 Person

03R54X120



Starting Price: **\$18,417**

54x120 table, slab veneer Tier 1 top, open painted base with no metal trim, powder coat finish

Pattern Number: 03R54X120

Step 1. Top Material

S	Slab (veneer only)	
V	Veneer layered	
G	Glass layered	
C	Corian layered	
Q	Caesarstone layered	

Step 2. Base Options

ON	Open Base, no metal trim	+ 0
OT	Open Base, with metal trim	+1958

Step 3. Metal Finish

MC __	Powder Coat	+0
PM01	Polished Chrome	+380
PM03	Satin Nickel	+380
PM03	Oil Rubbed Bronze	+380

Step 4A. Top Finish

T1 __	Veneer Tier 1	+0
T2 __	Veneer Tier 2	+951
T3 __	Veneer Tier 3	+2,907
GC01	Clear Glass, back painted, white	+2,086
GC __	Clear Glass, back painted, color	+3,166
GE01	Etched matte Glass, back painted, white	+2,950
GE __	Etched matte Glass, back painted, color	+4,074
CS01	Corian Glacier White	+4,726
QS __	Caesarstone	+13,983

Step 4B. Lower Layer Finish (Layer top only)

SL __	Satin Lacquer	+541
T ___	Veneer Tier 1, 2, 3	+722
HG __	High Gloss Polyester	+795

Step 5. Base Finish

T1 __	Veneer Tier 1	+728
T2 __	Veneer Tier 2	+1,530
T3 __	Veneer Tier 3	+3,092
SL __	Satin Lacquer	+0
HG __	High Gloss Polyester	+3,338

Step 6. Power & Connectivity Access: Optional

DRHW	Drawer, Hardwired (layered edge only), Qty 6	+10,242
DRPI	Drawer, Plug In (layered edge only), Qty 6	+8,766
TMHW	Tabletop Metal lid, Hardwired, Qty 2	+3,996
TMPI	Tabletop Metal lid, Plug In, Qty 2	+3,498
TWHW	Tabletop Wood lid, Hardwired (veneer tops only), Qty 2	+5,122
TWPI	Tabletop Wood lid, Plug In (veneer tops only), Qty 2	+4,596
UMHW	Undermount, Hardwired, Qty 6	+5,340
UMPI	Undermount, Plug In, Qty 6	+3,864

Step 7. Microphone and/or Grommet Accommodations: Optional

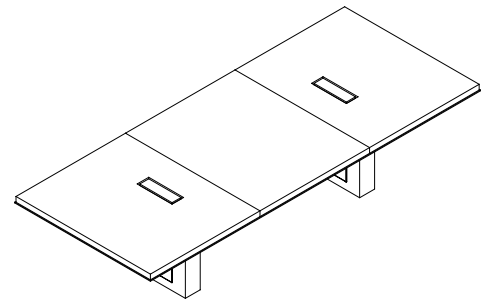
MA __	Microphone hole (factory cut)	Qty __ x 321 each
GM __	2" Grommet hole (factory cut), liner, lid, in matching metal finish	Qty __ x 423 each

Please consult [page 7](#) for the palette of DatesWeiser finishes. Natural stone, non-standard glass and veneer, and other technology options are available. Please email customerservice@datesweiser.com for a custom quote. Consult technical information on [page 294](#) for construction details and technical information.

Highline Fifty Rectangular Conference Table

54"x132"/ 10 Person

03R54X132



Starting Price: **\$23,083**

54x132 table, slab veneer Tier 1 top, open painted base with no metal trim, powder coat finish

Pattern Number: 03R54X132

Step 1. Top Material

S	Slab (veneer only)	
V	Veneer layered	
G	Glass layered	
C	Corian layered	
Q	Caesarstone layered	

Step 2. Base Options

ON	Open Base, no metal trim	+ 0
OT	Open Base, with metal trim	+ 1958

Step 3. Metal Finish

MC __	Powder Coat	+0
PM01	Polished Chrome	+401
PM03	Satin Nickel	+401
PM03	Oil Rubbed Bronze	+401

Step 4A. Top Finish

T1 __	Veneer Tier 1	+0
T2 __	Veneer Tier 2	+1,071
T3 __	Veneer Tier 3	+3,203
GC01	Clear Glass, back painted, white	+2,448
GC __	Clear Glass, back painted, color	+3,792
GE01	Etched matte Glass, back painted, white	+3,397
GE __	Etched matte Glass, back painted, color	+4,792
CS01	Corian Glacier White	+5,574
QS __	Caesarstone	+17,036

Step 4B. Lower Layer Finish (Layer top only)

SL __	Satin Lacquer	+548
T ___	Veneer Tier 1, 2, 3	+770
HG __	High Gloss Polyester	+847

Step 5. Base Finish

T1 __	Veneer Tier 1	+728
T2 __	Veneer Tier 2	+1,530
T3 __	Veneer Tier 3	+3,092
SL __	Satin Lacquer	+0
HG __	High Gloss Polyester	+3,338

Step 6. Power & Connectivity Access: Optional

DRHW	Drawer, Hardwired (layered edge only), Qty 6	+10,242
DRPI	Drawer, Plug In (layered edge only), Qty 6	+8,766
TMHW	Tabletop Metal lid, Hardwired, Qty 2	+3,996
TMPI	Tabletop Metal lid, Plug In, Qty 2	+3,498
TWHW	Tabletop Wood lid, Hardwired (veneer tops only), Qty 2	+5,122
TWPI	Tabletop Wood lid, Plug In (veneer tops only), Qty 2	+4,596
UMHW	Undermount, Hardwired, Qty 6	+5,340
UMPI	Undermount, Plug In, Qty 6	+3,864

Step 7. Microphone and/or Grommet Accommodations: Optional

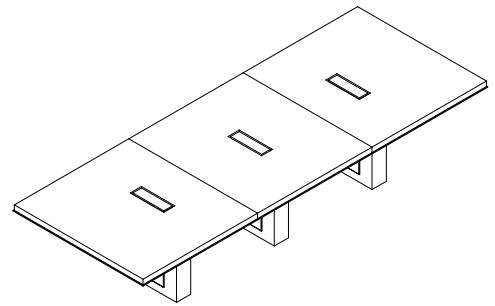
MA __	Microphone hole (factory cut)	Qty __ x 321 each
GM __	2" Grommet hole (factory cut), liner, lid, in matching metal finish	Qty __ x 423 each

Please consult [page 7](#) for the palette of DatesWeiser finishes. Natural stone, non-standard glass and veneer, and other technology options are available. Please email customerservice@datesweiser.com for a custom quote. Consult technical information on [page 294](#) for construction details and technical information.

Highline Fifty Rectangular Conference Table

54"x144"/ 10 Person

03R54X144



Starting Price: **\$24,232**

54x144 table, slab veneer Tier 1 top, open painted base with no metal trim, powder coat finish

Pattern Number: 03R54X144

Step 1. Top Material

S	Slab (veneer only)	
V	Veneer layered	
G	Glass layered	
C	Corian layered	
Q	Caesarstone layered	

Step 2. Base Options

ON	Open Base, no metal trim	+ 0
OT	Open Base, with metal trim	+ 2,937

Step 3. Metal Finish

MC __	Powder Coat	+0
PM01	Polished Chrome	+412
PM03	Satin Nickel	+412
PM03	Oil Rubbed Bronze	+412

Step 4A. Top Finish

T1 __	Veneer Tier 1	+0
T2 __	Veneer Tier 2	+1,156
T3 __	Veneer Tier 3	+3,498
GC01	Clear Glass, back painted, white	+2,883
GC __	Clear Glass, back painted, color	+4,310
GE01	Etched matte Glass, back painted, white	+4,038
GE __	Etched matte Glass, back painted, color	+5,526
CS01	Corian Glacier White	+6,399
QS __	Caesarstone	+18,650

Step 4B. Lower Layer Finish (Layer top only)

SL __	Satin Lacquer	+560
T ___	Veneer Tier 1, 2, 3	+819
HG __	High Gloss Polyester	+901

Step 5. Base Finish

T1 __	Veneer Tier 1	+1,092
T2 __	Veneer Tier 2	+2,295
T3 __	Veneer Tier 3	+4,638
SL __	Satin Lacquer	+0
HG __	High Gloss Polyester	+5,007

Step 6. Power & Connectivity Access: Optional

DRHW	Drawer, Hardwired (layered edge only), Qty 6	+10,242
DRPI	Drawer, Plug In (layered edge only), Qty 6	+8,766
TMHW	Tabletop Metal lid, Hardwired, Qty 3	+5,994
TMPI	Tabletop Metal lid, Plug In, Qty 3	+5,247
TWHW	Tabletop Wood lid, Hardwired (veneer tops only), Qty 3	+7,683
TWPI	Tabletop Wood lid, Plug In (veneer tops only), Qty 3	+6,894
UMHW	Undermount, Hardwired, Qty 6	+5,340
UMPI	Undermount, Plug In, Qty 6	+3,864

Step 7. Microphone and/or Grommet Accommodations: Optional

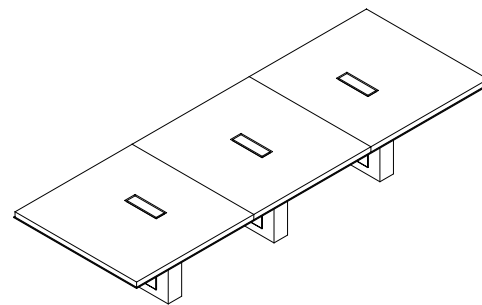
MA __	Microphone hole (factory cut)	Qty __ x 321 each
GM __	2" Grommet hole (factory cut), liner, lid, in matching metal finish	Qty __ x 423 each

Please consult [page 7](#) for the palette of DatesWeiser finishes. Natural stone, non-standard glass and veneer, and other technology options are available. Please email customerservice@datesweiser.com for a custom quote. Consult technical information on [page 294](#) for construction details and technical information.

Highline Fifty Rectangular Conference Table

54"x156"/ 10 Person

03R54X156



Starting Price: **\$24,998**

54x156 table, slab veneer Tier 1 top, open painted base with no metal trim, powder coat finish

Pattern Number: 03R54X156

Step 1. Top Material

S	Slab (veneer only)	
V	Veneer layered	
G	Glass layered	
C	Corian layered	
Q	Caesarstone layered	

Step 2. Base Options

ON	Open Base, no metal trim	+ 0
OT	Open Base, with metal trim	+2,937

Step 3. Metal Finish

MC __	Powder Coat	+0
PM01	Polished Chrome	+530
PM03	Satin Nickel	+530
PM03	Oil Rubbed Bronze	+530

Step 4A. Top Finish

T1 __	Veneer Tier 1	+0
T2 __	Veneer Tier 2	+1,319
T3 __	Veneer Tier 3	+3,822
GC01	Clear Glass, back painted, white	+2,908
GC __	Clear Glass, back painted, color	+4,377
GE01	Etched matte Glass, back painted, white	+4,023
GE __	Etched matte Glass, back painted, color	+5,551
CS01	Corian Glacier White	+6,453
QS __	Caesarstone	+19,034

Step 4B. Lower Layer Finish (Layer top only)

SL __	Satin Lacquer	+578
T ___	Veneer Tier 1, 2, 3	+825
HG __	High Gloss Polyester	+907

Step 5. Base Finish

T1 __	Veneer Tier 1	+1,092
T2 __	Veneer Tier 2	+2,295
T3 __	Veneer Tier 3	+4,638
SL __	Satin Lacquer	+0
HG __	High Gloss Polyester	+5,007

Step 6. Power & Connectivity Access: Optional

DRHW	Drawer, Hardwired (layered edge only), Qty 6	+10,242
DRPI	Drawer, Plug In (layered edge only), Qty 6	+8,766
TMHW	Tabletop Metal lid, Hardwired, Qty 3	+5,994
TMPI	Tabletop Metal lid, Plug In, Qty 3	+5,247
TWHW	Tabletop Wood lid, Hardwired (veneer tops only), Qty 3	+7,683
TWPI	Tabletop Wood lid, Plug In (veneer tops only), Qty 3	+6,894
UMHW	Undermount, Hardwired, Qty 6	+5,340
UMPI	Undermount, Plug In, Qty 6	+3,864

Step 7. Microphone and/or Grommet Accommodations: Optional

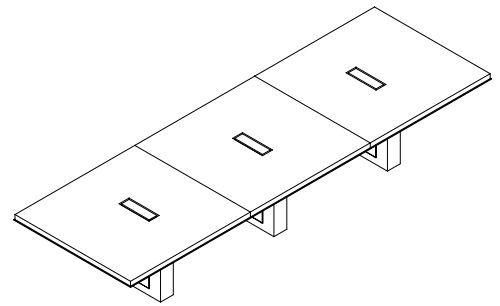
MA __	Microphone hole (factory cut)	Qty __ x 321 each
GM __	2" Grommet hole (factory cut), liner, lid, in matching metal finish	Qty __ x 423 each

Please consult [page 7](#) for the palette of DatesWeiser finishes. Natural stone, non-standard glass and veneer, and other technology options are available. Please email customerservice@datesweiser.com for a custom quote. Consult technical information on [page 294](#) for construction details and technical information.

Highline Fifty Rectangular Conference Table

54"x168"/ 12 Person

03R54X168



Starting Price: **\$26,338**

54x168 table, slab veneer Tier 1 top, open painted base with no metal trim, powder coat finish

Pattern Number: 03R54X168

Step 1. Top Material

S	Slab (veneer only)	
V	Veneer layered	
G	Glass layered	
C	Corian layered	
Q	Caesarstone layered	

Step 2. Base Options

ON	Open Base, no metal trim	+ 0
OT	Open Base, with metal trim	+2,937

Step 3. Metal Finish

MC __	Powder Coat	+0
PM01	Polished Chrome	+540
PM03	Satin Nickel	+540
PM03	Oil Rubbed Bronze	+540

Step 4A. Top Finish

T1 __	Veneer Tier 1	+0
T2 __	Veneer Tier 2	+1,355
T3 __	Veneer Tier 3	+4,099
GC01	Clear Glass, back painted, white	+2,857
GC __	Clear Glass, back painted, color	+4,393
GE01	Etched matte Glass, back painted, white	+4,047
GE __	Etched matte Glass, back painted, color	+5,645
CS01	Corian Glacier White	+6,651
QS __	Caesarstone	+19,846

Step 4B. Lower Layer Finish (Layer top only)

SL __	Satin Lacquer	+632
T ___	Veneer Tier 1, 2, 3	+908
HG __	High Gloss Polyester	+999

Step 5. Base Finish

T1 __	Veneer Tier 1	+1,092
T2 __	Veneer Tier 2	+2,295
T3 __	Veneer Tier 3	+4,638
SL __	Satin Lacquer	+0
HG __	High Gloss Polyester	+5,007

Step 6. Power & Connectivity Access: Optional

DRHW	Drawer, Hardwired (layered edge only), Qty 6	+10,242
DRPI	Drawer, Plug In (layered edge only), Qty 6	+8,766
TMHW	Tabletop Metal lid, Hardwired, Qty 3	+5,994
TMPI	Tabletop Metal lid, Plug In, Qty 3	+5,247
TWHW	Tabletop Wood lid, Hardwired (veneer tops only), Qty 3	+7,683
TWPI	Tabletop Wood lid, Plug In (veneer tops only), Qty 3	+6,894
UMHW	Undermount, Hardwired, Qty 6	+5,340
UMPI	Undermount, Plug In, Qty 6	+3,864

Step 7. Microphone and/or Grommet Accommodations: Optional

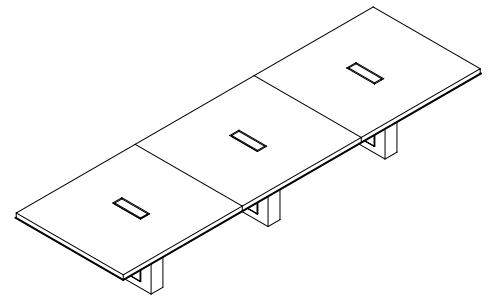
MA __	Microphone hole (factory cut)	Qty __ x 321 each
GM __	2" Grommet hole (factory cut), liner, lid, in matching metal finish	Qty __ x 423 each

Please consult [page 7](#) for the palette of DatasWeiser finishes. Natural stone, non-standard glass and veneer, and other technology options are available. Please email customerservice@datasweiser.com for a custom quote. Consult technical information on [page 294](#) for construction details and technical information.

Highline Fifty Rectangular Conference Table

54"x180"/ 14 Person

03R54X180



Starting Price: **\$27,163**

54x180 table, slab veneer Tier 1 top, open painted base with no metal trim, powder coat finish

Pattern Number: 03R54X180

Step 1. Top Material

S	Slab (veneer only)	
V	Veneer layered	
G	Glass layered	
C	Corian layered	
Q	Caesarstone layered	

Step 2. Base Options

ON	Open Base, no metal trim	+ 0
OT	Open Base, with metal trim	+2,937

Step 3. Metal Finish

MC __	Powder Coat	+0
PM01	Polished Chrome	+551
PM03	Satin Nickel	+551
PM03	Oil Rubbed Bronze	+551

Step 4A. Top Finish

T1 __	Veneer Tier 1	+0
T2 __	Veneer Tier 2	+1,445
T3 __	Veneer Tier 3	+4,201
GC01	Clear Glass, back painted, white	+2,867
GC __	Clear Glass, back painted, color	+4,448
GE01	Etched matte Glass, back painted, white	+4,188
GE __	Etched matte Glass, back painted, color	+5,838
CS01	Corian Glacier White	+6,723
QS __	Caesarstone	+20,277

Step 4B. Lower Layer Finish (Layer top only)

SL __	Satin Lacquer	+668
T ___	Veneer Tier 1, 2, 3	+1,005
HG __	High Gloss Polyester	+1,105

Step 5. Base Finish

T1 __	Veneer Tier 1	+1,092
T2 __	Veneer Tier 2	+2,295
T3 __	Veneer Tier 3	+4,638
SL __	Satin Lacquer	+0
HG __	High Gloss Polyester	+5,007

Step 6. Power & Connectivity Access: Optional

DRHW	Drawer, Hardwired (layered edge only), Qty 8	+13,656
DRPI	Drawer, Plug In (layered edge only), Qty 8	+11,688
TMHW	Tabletop Metal lid, Hardwired, Qty 3	+5,994
TMPI	Tabletop Metal lid, Plug In, Qty 3	+5,247
TWHW	Tabletop Wood lid, Hardwired (veneer tops only), Qty 3	+7,683
TWPI	Tabletop Wood lid, Plug In (veneer tops only), Qty 3	+6,894
UMHW	Undermount, Hardwired, Qty 8	+7,120
UMPI	Undermount, Plug In, Qty 8	+5,152

Step 7. Microphone and/or Grommet Accommodations: Optional

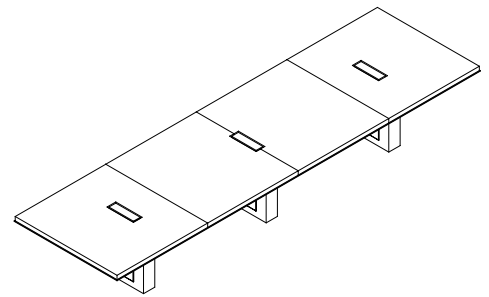
MA __	Microphone hole (factory cut)	Qty __ x 321 each
GM __	2" Grommet hole (factory cut), liner, lid, in matching metal finish	Qty __ x 423 each

Please consult [page 7](#) for the palette of DatesWeiser finishes. Natural stone, non-standard glass and veneer, and other technology options are available. Please email customerservice@datesweiser.com for a custom quote. Consult technical information on [page 294](#) for construction details and technical information.

Highline Fifty Rectangular Conference Table

54"x192"/ 14 Person

03R54X192



Starting Price: **\$31,390**

54x192 table, slab veneer Tier 1 top, open painted base with no metal trim, powder coat finish

Pattern Number: 03R54X192

Step 1. Top Material

S	Slab (veneer only)	
V	Veneer layered	
G	Glass layered	
C	Corian layered	
Q	Caesarstone layered	

Step 2. Base Options

ON	Open Base, no metal trim	+ 0
OT	Open Base, with metal trim	+2,937

Step 3. Metal Finish

MC __	Powder Coat	+0
PM01	Polished Chrome	+562
PM03	Satin Nickel	+562
PM03	Oil Rubbed Bronze	+562

Step 4A. Top Finish

T1 __	Veneer Tier 1	+0
T2 __	Veneer Tier 2	+1,557
T3 __	Veneer Tier 3	+4,687
GC01	Clear Glass, back painted, white	+3,398
GC __	Clear Glass, back painted, color	+5,230
GE01	Etched matte Glass, back painted, white	+4,765
GE __	Etched matte Glass, back painted, color	+6,668
CS01	Corian Glacier White	+8,124
QS __	Caesarstone	+23,930

Step 4B. Lower Layer Finish (Layer top only)

SL __	Satin Lacquer	+729
T ___	Veneer Tier 1, 2, 3	+1,029
HG __	High Gloss Polyester	+1,132

Step 5. Base Finish

T1 __	Veneer Tier 1	+1,092
T2 __	Veneer Tier 2	+2,295
T3 __	Veneer Tier 3	+4,638
SL __	Satin Lacquer	+0
HG __	High Gloss Polyester	+5,007

Step 6. Power & Connectivity Access: Optional

DRHW	Drawer, Hardwired (layered edge only), Qty 8	+13,656
DRPI	Drawer, Plug In (layered edge only), Qty 8	+11,688
TMHW	Tabletop Metal lid, Hardwired, Qty 3	+5,994
TMPI	Tabletop Metal lid, Plug In, Qty 3	+5,247
TWHW	Tabletop Wood lid, Hardwired (veneer tops only), Qty 3	+7,683
TWPI	Tabletop Wood lid, Plug In (veneer tops only), Qty 3	+6,894
UMHW	Undermount, Hardwired, Qty 8	+7,120
UMPI	Undermount, Plug In, Qty 8	+5,152

Step 7. Microphone and/or Grommet Accommodations: Optional

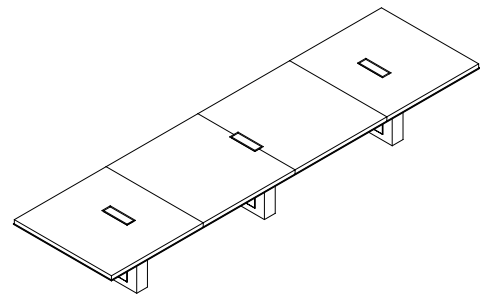
MA __	Microphone hole (factory cut)	Qty __ x 321 each
GM __	2" Grommet hole (factory cut), liner, lid, in matching metal finish	Qty __ x 423 each

Please consult [page 7](#) for the palette of DatesWeiser finishes. Natural stone, non-standard glass and veneer, and other technology options are available. Please email customerservice@datesweiser.com for a custom quote. Consult technical information on [page 294](#) for construction details and technical information.

Highline Fifty Rectangular Conference Table

54"x204"/ 14 Person

03R54X204



Starting Price: **\$32,247**

54x204 table, slab veneer Tier 1 top, open painted base with no metal trim, powder coat finish

Pattern Number: 03R54X204

Step 1. Top Material

S	Slab (veneer only)	
V	Veneer layered	
G	Glass layered	
C	Corian layered	
Q	Caesarstone layered	

Step 2. Base Options

ON	Open Base, no metal trim	+ 0
OT	Open Base, with metal trim	+2,937

Step 3. Metal Finish

MC __	Powder Coat	+0
PM01	Polished Chrome	+572
PM03	Satin Nickel	+572
PM03	Oil Rubbed Bronze	+572

Step 4A. Top Finish

T1 __	Veneer Tier 1	+0
T2 __	Veneer Tier 2	+1,642
T3 __	Veneer Tier 3	+4,959
GC01	Clear Glass, back painted, white	+3,481
GC __	Clear Glass, back painted, color	+5,361
GE01	Etched matte Glass, back painted, white	+4,870
GE __	Etched matte Glass, back painted, color	+6,824
CS01	Corian Glacier White	+8,149
QS __	Caesarstone	+24,307

Step 4B. Lower Layer Finish (Layer top only)

SL __	Satin Lacquer	+764
T ___	Veneer Tier 1, 2, 3	+1,084
HG __	High Gloss Polyester	+1,192

Step 5. Base Finish

T1 __	Veneer Tier 1	+1,092
T2 __	Veneer Tier 2	+2,295
T3 __	Veneer Tier 3	+4,638
SL __	Satin Lacquer	+0
HG __	High Gloss Polyester	+5,007

Step 6. Power & Connectivity Access: Optional

DRHW	Drawer, Hardwired (layered edge only), Qty 8	+13,656
DRPI	Drawer, Plug In (layered edge only), Qty 8	+11,688
TMHW	Tabletop Metal lid, Hardwired, Qty 3	+5,994
TMPI	Tabletop Metal lid, Plug In, Qty 3	+5,247
TWHW	Tabletop Wood lid, Hardwired (veneer tops only), Qty 3	+7,683
TWPI	Tabletop Wood lid, Plug In (veneer tops only), Qty 3	+6,894
UMHW	Undermount, Hardwired, Qty 8	+7,120
UMPI	Undermount, Plug In, Qty 8	+5,152

Step 7. Microphone and/or Grommet Accommodations: Optional

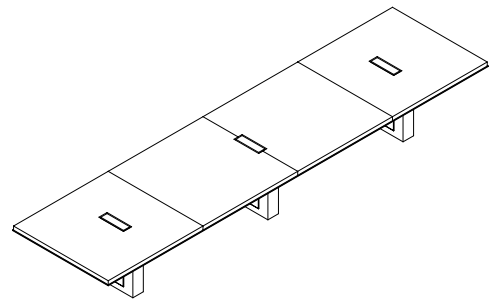
MA __	Microphone hole (factory cut)	Qty __ x 321 each
GM __	2" Grommet hole (factory cut), liner, lid, in matching metal finish	Qty __ x 423 each

Please consult [page 7](#) for the palette of DatesWeiser finishes. Natural stone, non-standard glass and veneer, and other technology options are available. Please email customerservice@datesweiser.com for a custom quote. Consult technical information on [page 294](#) for construction details and technical information.

Highline Fifty Rectangular Conference Table

54"x216"/ 16 Person

03R54X216



Starting Price: **\$33,092**

54x216 table, slab veneer Tier 1 top, open painted base with no metal trim, powder coat finish

Pattern Number: 03R54X216

Step 1. Top Material

S	Slab (veneer only)	
V	Veneer layered	
G	Glass layered	
C	Corian layered	
Q	Caesarstone layered	

Step 2. Base Options

ON	Open Base, no metal trim	+ 0
OT	Open Base, with metal trim	+2,937

Step 3. Metal Finish

MC __	Powder Coat	+0
PM01	Polished Chrome	+583
PM03	Satin Nickel	+583
PM03	Oil Rubbed Bronze	+583

Step 4A. Top Finish

T1 __	Veneer Tier 1	+0
T2 __	Veneer Tier 2	+1,776
T3 __	Veneer Tier 3	+5,285
GC01	Clear Glass, back painted, white	+3,578
GC __	Clear Glass, back painted, color	+5,507
GE01	Etched matte Glass, back painted, white	+4,921
GE __	Etched matte Glass, back painted, color	+6,922
CS01	Corian Glacier White	+8,192
QS __	Caesarstone	+24,705

Step 4B. Lower Layer Finish (Layer top only)

SL __	Satin Lacquer	+800
T ___	Veneer Tier 1, 2, 3	+1,144
HG __	High Gloss Polyester	+1,258

Step 5. Base Finish

T1 __	Veneer Tier 1	+1,092
T2 __	Veneer Tier 2	+2,295
T3 __	Veneer Tier 3	+4,638
SL __	Satin Lacquer	+0
HG __	High Gloss Polyester	+5,007

Step 6. Power & Connectivity Access: Optional

DRHW	Drawer, Hardwired (layered edge only), Qty 8	+13,656
DRPI	Drawer, Plug In (layered edge only), Qty 8	+11,688
TMHW	Tabletop Metal lid, Hardwired, Qty 3	+5,994
TMPI	Tabletop Metal lid, Plug In, Qty 3	+5,247
TWHW	Tabletop Wood lid, Hardwired (veneer tops only), Qty 3	+7,683
TWPI	Tabletop Wood lid, Plug In (veneer tops only), Qty 3	+6,894
UMHW	Undermount, Hardwired, Qty 8	+7,120
UMPI	Undermount, Plug In, Qty 8	+5,152

Step 7. Microphone and/or Grommet Accommodations: Optional

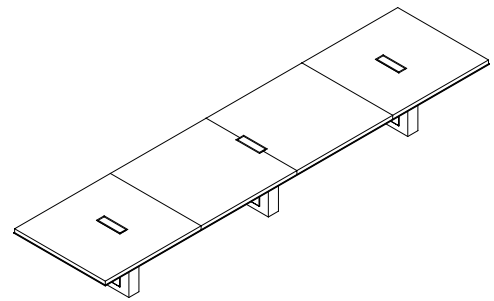
MA __	Microphone hole (factory cut)	Qty __ x 321 each
GM __	2" Grommet hole (factory cut), liner, lid, in matching metal finish	Qty __ x 423 each

Please consult [page 7](#) for the palette of DatesWeiser finishes. Natural stone, non-standard glass and veneer, and other technology options are available. Please email customerservice@datesweiser.com for a custom quote. Consult technical information on [page 294](#) for construction details and technical information.

Highline Fifty Rectangular Conference Table

54"x228"/ 16 Person

03R54X228



Starting Price: **\$33,971**

54x228 table, slab veneer Tier 1 top, open painted base with no metal trim, powder coat finish

Pattern Number: 03R54X228

Step 1. Top Material

S	Slab (veneer only)	
V	Veneer layered	
G	Glass layered	
C	Corian layered	
Q	Caesarstone layered	

Step 2. Base Options

ON	Open Base, no metal trim	+ 0
OT	Open Base, with metal trim	+2,937

Step 3. Metal Finish

MC __	Powder Coat	+0
PM01	Polished Chrome	+594
PM03	Satin Nickel	+594
PM03	Oil Rubbed Bronze	+594

Step 4A. Top Finish

T1 __	Veneer Tier 1	+0
T2 __	Veneer Tier 2	+1,824
T3 __	Veneer Tier 3	+5,513
GC01	Clear Glass, back painted, white	+3,768
GC __	Clear Glass, back painted, color	+5,754
GE01	Etched matte Glass, back painted, white	+5,014
GE __	Etched matte Glass, back painted, color	+7,066
CS01	Corian Glacier White	+8,276
QS __	Caesarstone	+25,174

Step 4B. Lower Layer Finish (Layer top only)

SL __	Satin Lacquer	+812
T ___	Veneer Tier 1, 2, 3	+1,204
HG __	High Gloss Polyester	+1,325

Step 5. Base Finish

T1 __	Veneer Tier 1	+1,092
T2 __	Veneer Tier 2	+2,295
T3 __	Veneer Tier 3	+4,638
SL __	Satin Lacquer	+0
HG __	High Gloss Polyester	+5,007

Step 6. Power & Connectivity Access: Optional

DRHW	Drawer, Hardwired (layered edge only), Qty 8	+13,656
DRPI	Drawer, Plug In (layered edge only), Qty 8	+11,688
TMHW	Tabletop Metal lid, Hardwired, Qty 3	+5,994
TMPI	Tabletop Metal lid, Plug In, Qty 3	+5,247
TWHW	Tabletop Wood lid, Hardwired (veneer tops only), Qty 3	+7,683
TWPI	Tabletop Wood lid, Plug In (veneer tops only), Qty 3	+6,894
UMHW	Undermount, Hardwired, Qty 8	+7,120
UMPI	Undermount, Plug In, Qty 8	+5,152

Step 7. Microphone and/or Grommet Accommodations: Optional

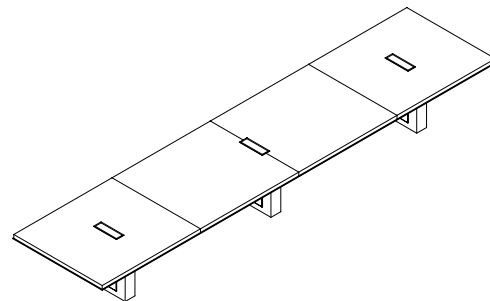
MA __	Microphone hole (factory cut)	Qty __ x 321 each
GM __	2" Grommet hole (factory cut), liner, lid, in matching metal finish	Qty __ x 423 each

Please consult [page 7](#) for the palette of DatesWeiser finishes. Natural stone, non-standard glass and veneer, and other technology options are available. Please email customerservice@datesweiser.com for a custom quote. Consult technical information on [page 294](#) for construction details and technical information.

Highline Fifty Rectangular Conference Table

54"x240"/ 18 Person

03R54X240



Starting Price: **\$34,806**

54x240 table, slab veneer Tier 1 top, open painted base with no metal trim, powder coat finish

Pattern Number: 03R54X240

Step 1. Top Material

S	Slab (veneer only)	
V	Veneer layered	
G	Glass layered	
C	Corian layered	
Q	Caesarstone layered	

Step 2. Base Options

ON	Open Base, no metal trim	+ 0
OT	Open Base, with metal trim	+2,937

Step 3. Metal Finish

MC __	Powder Coat	+0
PM01	Polished Chrome	+605
PM03	Satin Nickel	+605
PM03	Oil Rubbed Bronze	+605

Step 4A. Top Finish

T1 __	Veneer Tier 1	+0
T2 __	Veneer Tier 2	+1,926
T3 __	Veneer Tier 3	+5,725
GC01	Clear Glass, back painted, white	+3,881
GC __	Clear Glass, back painted, color	+5,917
GE01	Etched matte Glass, back painted, white	+5,104
GE __	Etched matte Glass, back painted, color	+7,205
CS01	Corian Glacier White	+8,409
QS __	Caesarstone	+25,695

Step 4B. Lower Layer Finish (Layer top only)

SL __	Satin Lacquer	+855
T ___	Veneer Tier 1, 2, 3	+1,294
HG __	High Gloss Polyester	+1,423

Step 5. Base Finish

T1 __	Veneer Tier 1	+1,092
T2 __	Veneer Tier 2	+2,295
T3 __	Veneer Tier 3	+4,638
SL __	Satin Lacquer	+0
HG __	High Gloss Polyester	+5,007

Step 6. Power & Connectivity Access: Optional

DRHW	Drawer, Hardwired (layered edge only), Qty 10	+17,070
DRPI	Drawer, Plug In (layered edge only), Qty 10	+14,610
TMHW	Tabletop Metal lid, Hardwired, Qty 3	+5,994
TMPI	Tabletop Metal lid, Plug In, Qty 3	+5,247
TWHW	Tabletop Wood lid, Hardwired (veneer tops only), Qty 3	+7,683
TWPI	Tabletop Wood lid, Plug In (veneer tops only), Qty 3	+6,894
UMHW	Undermount, Hardwired, Qty 10	+8,900
UMPI	Undermount, Plug In, Qty 10	+6,440

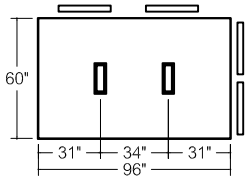
Step 7. Microphone and/or Grommet Accommodations: Optional

MA __	Microphone hole (factory cut)	Qty __ x 321 each
GM __	2" Grommet hole (factory cut), liner, lid, in matching metal finish	Qty __ x 423 each

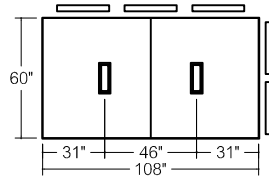
Please consult [page 7](#) for the palette of DatesWeiser finishes. Natural stone, non-standard glass and veneer, and other technology options are available. Please email customerservice@datesweiser.com for a custom quote. Consult technical information on [page 294](#) for construction details and technical information.

Highline Fifty Conference Tables Index

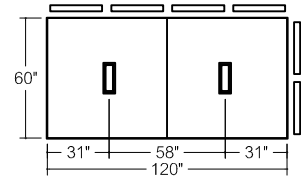
60" width



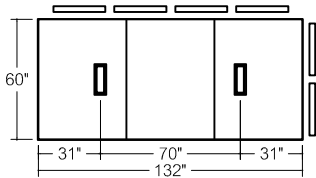
03R60X96
8 Person Table



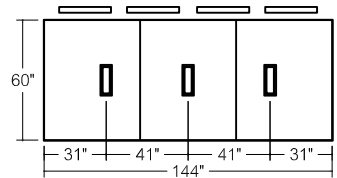
03R60X108
10 Person Table



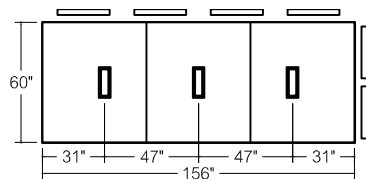
03R60X120
12 Person Table



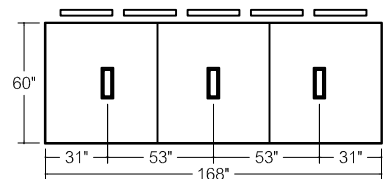
03R60X132
12 Person Table



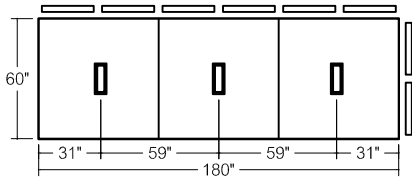
03R60X144
12 Person Table



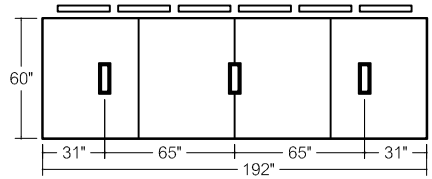
03R60X156
12 Person Table



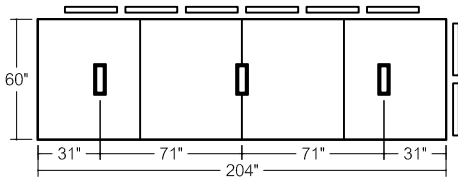
03R60X168
14 Person Table



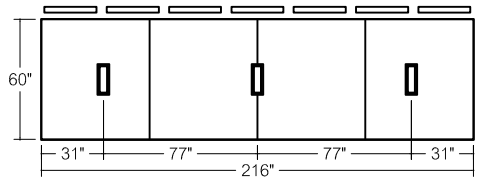
03R60X180
16 Person Table



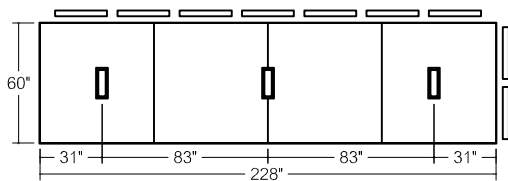
03R60X192
16 Person Table



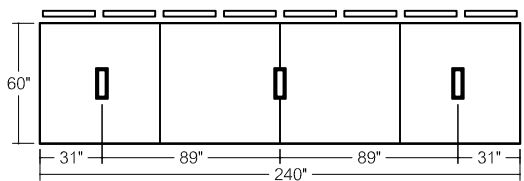
03R60X204
16 Person Table



03R60X216
18 Person Table



03R60X228
18 Person Table

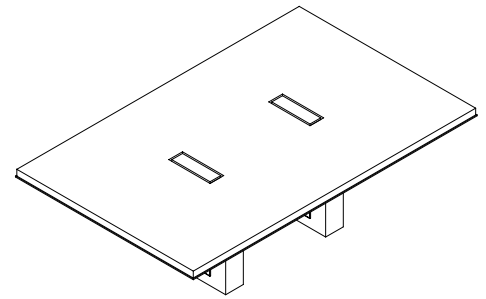


03R60X240
20 Person Table

Highline Fifty Rectangular Conference Table

60"x96"/ 8 Person

03R60X96



Starting Price: **\$16,694**

60x96 table, slab veneer Tier 1 top, open painted base with no metal trim, powder coat finish

Pattern Number: 03R60X96

Step 1. Top Material

S	Slab (veneer only)	
V	Veneer layered	
G	Glass layered	
C	Corian layered	
Q	Caesarstone layered	

Step 2. Base Options

ON	Open Base, no metal trim	+ 0
OT	Open Base, with metal trim	+ 1,958

Step 3. Metal Finish

MC __	Powder Coat	+0
PM01	Polished Chrome	+380
PM02	Satin Nickel	+380
PM03	Oil Rubbed Bronze	+380

Step 4A. Top Finish

T1 __	Veneer Tier 1	+0
T2 __	Veneer Tier 2	+857
T3 __	Veneer Tier 3	+2,124
GC01	Clear Glass, back painted, white	+939
GC __	Clear Glass, back painted, color	+1,867
GE01	Etched matte Glass, back painted, white	+1,345
GE __	Etched matte Glass, back painted, color	+2,295
CS01	Corian Glacier White	+2,943
QS __	Caesarstone	+10,796

Step 4B. Lower Layer Finish (Layer top only)

SL __	Satin Lacquer	+375
T ___	Veneer Tier 1, 2, 3	+583
HG __	High Gloss Polyester	+642

Step 5. Base Finish

T1 __	Veneer Tier 1	+814
T2 __	Veneer Tier 2	+1,948
T3 __	Veneer Tier 3	+3,478
SL __	Satin Lacquer	+0
HG __	High Gloss Polyester	+3,756

Step 6. Power & Connectivity Access: Optional

DRHW	Drawer, Hardwired (layered edge only), Qty 4	+6,828
DRPI	Drawer, Plug In (layered edge only), Qty 4	+5,844
TMHW	Tabletop Metal lid, Hardwired, Qty 2	+5,256
TMPI	Tabletop Metal lid, Plug In, Qty 2	+4,766
TWHW	Tabletop Wood lid, Hardwired (veneer tops only), Qty 2	+6,632
TWPI	Tabletop Wood lid, Plug In (veneer tops only), Qty 2	+6,022
UMHW	Undermount, Hardwired, Qty 4	+3,560
UMPI	Undermount, Plug In, Qty 4	+2,576

Step 7. Microphone and/or Grommet Accommodations: Optional

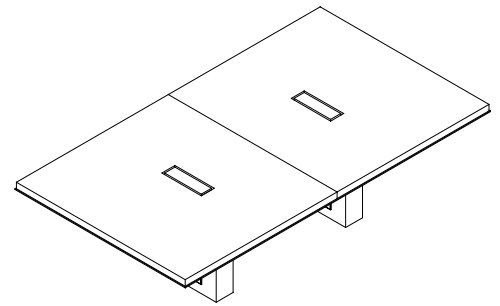
MA __	Microphone hole (factory cut)	Qty __ x 321 each
GM __	2" Grommet Hole (factory cut), liner, lid, in matching metal finish	Qty __ x 423 each

Please consult [page 7](#) for the palette of DatesWeiser finishes. Natural stone, non-standard glass and veneer, and other technology options are available. Please email customerservice@datesweiser.com for a custom quote. Consult technical information on [page 294](#) for construction details and technical information.

Highline Fifty Rectangular Conference Table

60"x108"/ 10 Person

03R60X108



Starting Price: \$17,613

60x108 table, slab veneer Tier 1 top, open painted base with no metal trim, powder coat finish

Pattern Number: 03R60X108

Step 1. Top Material

S	Slab (veneer only)	
V	Veneer layered	
G	Glass layered	
C	Corian layered	
Q	Caesarstone layered	

Step 2. Base Options

ON	Open Base, no metal trim	+ 0
OT	Open Base, with metal trim	+ 1,958

Step 3. Metal Finish

MC __	Powder Coat	+0
PM01	Polished Chrome	+385
PM03	Satin Nickel	+385
PM03	Oil Rubbed Bronze	+385

Step 4A. Top Finish

T1 __	Veneer Tier 1	+0
T2 __	Veneer Tier 2	+958
T3 __	Veneer Tier 3	+2,445
GC01	Clear Glass, back painted, white	+1,142
GC __	Clear Glass, back painted, color	+2,130
GE01	Etched matte Glass, back painted, white	+1,641
GE __	Etched matte Glass, back painted, color	+2,654
CS01	Corian Glacier White	+3,301
QS __	Caesarstone	+11,666

Step 4B. Lower Layer Finish (Layer top only)

SL __	Satin Lacquer	+444
T ___	Veneer Tier 1, 2, 3	+674
HG __	High Gloss Polyester	+742

Step 5. Base Finish

T1 __	Veneer Tier 1	+814
T2 __	Veneer Tier 2	+1,948
T3 __	Veneer Tier 3	+3,478
SL __	Satin Lacquer	+0
HG __	High Gloss Polyester	+3,756

Step 6. Power & Connectivity Access: Optional

DRHW	Drawer, Hardwired (layered edge only), Qty 4	+6,828
DRPI	Drawer, Plug In (layered edge only), Qty 4	+5,844
TMHW	Tabletop Metal lid, Hardwired, Qty 2	+5,256
TMPI	Tabletop Metal lid, Plug In, Qty 2	+4,766
TWHW	Tabletop Wood lid, Hardwired (veneer tops only), Qty 2	+6,632
TWPI	Tabletop Wood lid, Plug In (veneer tops only), Qty 2	+6,022
UMHW	Undermount, Hardwired, Qty 4	+ 3,560
UMPI	Undermount, Plug In, Qty 4	+2,576

Step 7. Microphone and/or Grommet Accommodations: Optional

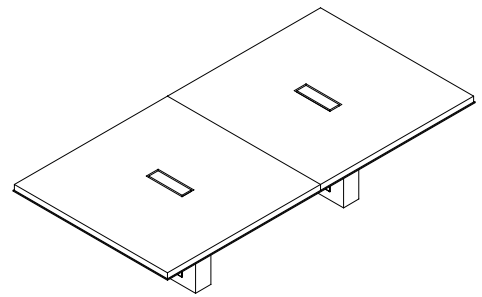
MA __	Microphone hole (factory cut)	Qty __ x 321 each
GM __	2" Grommet Hole (factory cut), liner, lid, in matching metal finish	Qty __ x 423 each

Please consult [page 7](#) for the palette of DatesWeiser finishes. Natural stone, non-standard glass and veneer, and other technology options are available. Please email customerservice@datesweiser.com for a custom quote. Consult technical information on [page 294](#) for construction details and technical information.

Highline Fifty Rectangular Conference Table

60"x120"/ 12 Person

03R60X120



Starting Price: **\$18,668**

60x120 table, slab veneer Tier 1 top, open painted base with no metal trim, powder coat finish

Pattern Number: 03R60X120

Step 1. Top Material

S	Slab (veneer only)	
V	Veneer layered	
G	Glass layered	
C	Corian layered	
Q	Caesarstone layered	

Step 2. Base Options

ON	Open Base, no metal trim	+ 0
OT	Open Base, with metal trim	+1,958

Step 3. Metal Finish

MC __	Powder Coat	+0
PM01	Polished Chrome	+391
PM03	Satin Nickel	+391
PM03	Oil Rubbed Bronze	+391

Step 4A. Top Finish

T1 __	Veneer Tier 1	+0
T2 __	Veneer Tier 2	+1,070
T3 __	Veneer Tier 3	+3,360
GC01	Clear Glass, back painted, white	+1,744
GC __	Clear Glass, back painted, color	+2,820
GE01	Etched matte Glass, back painted, white	+2,533
GE __	Etched matte Glass, back painted, color	+3,649
CS01	Corian Glacier White	+4,468
QS __	Caesarstone	+13,721

Step 4B. Lower Layer Finish (Layer top only)

SL __	Satin Lacquer	+471
T ___	Veneer Tier 1, 2, 3	+701
HG __	High Gloss Polyester	+771

Step 5. Base Finish

T1 __	Veneer Tier 1	+814
T2 __	Veneer Tier 2	+1,948
T3 __	Veneer Tier 3	+3,478
SL __	Satin Lacquer	+0
HG __	High Gloss Polyester	+3,756

Step 6. Power & Connectivity Access: Optional

DRHW	Drawer, Hardwired (layered edge only), Qty 6	+10,242
DRPI	Drawer, Plug In (layered edge only), Qty 6	+8,766
TMHW	Tabletop Metal lid, Hardwired, Qty 2	+5,256
TMPI	Tabletop Metal lid, Plug In, Qty 2	+4,766
TWHW	Tabletop Wood lid, Hardwired (veneer tops only), Qty 2	+6,632
TWPI	Tabletop Wood lid, Plug In (veneer tops only), Qty 2	+6,022
UMHW	Undermount, Hardwired, Qty 6	+5,340
UMPI	Undermount, Plug In, Qty 6	+3,864

Step 7. Microphone and/or Grommet Accommodations: Optional

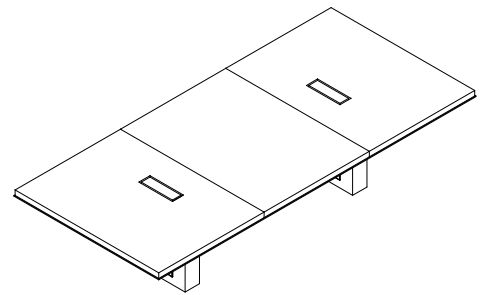
MA __	Microphone hole (factory cut)	Qty __ x 321 each
GM __	2" Grommet Hole (factory cut), liner, lid, in matching metal finish	Qty __ x 423 each

Please consult [page 7](#) for the palette of DatesWeiser finishes. Natural stone, non-standard glass and veneer, and other technology options are available. Please email customerservice@datesweiser.com for a custom quote. Consult technical information on [page 294](#) for construction details and technical information.

Highline Fifty Rectangular Conference Table

60"x132"/ 12 Person

03R60X132



Starting Price: **\$23,199**

60x132 table, slab veneer Tier 1 top, open painted base with no metal trim, powder coat finish

Pattern Number: 03R60X132

Step 1. Top Material

S	Slab (veneer only)
V	Veneer layered
G	Glass layered
C	Corian layered
Q	Caesarstone layered

Step 2. Base Options

ON	Open Base, no metal trim	+ 0
OT	Open Base, with metal trim	+ 1,958

Step 3. Metal Finish

MC __	Powder Coat	+0
PM01	Polished Chrome	+396
PM03	Satin Nickel	+396
PM03	Oil Rubbed Bronze	+396

Step 4A. Top Finish

T1 __	Veneer Tier 1	+0
T2 __	Veneer Tier 2	+1,161
T3 __	Veneer Tier 3	+3,820
GC01	Clear Glass, back painted, white	+1,858
GC __	Clear Glass, back painted, color	+3,178
GE01	Etched matte Glass, back painted, white	+3,490
GE __	Etched matte Glass, back painted, color	+4,895
CS01	Corian Glacier White	+5,804
QS __	Caesarstone	+17,405

Step 4B. Lower Layer Finish (Layer top only)

SL __	Satin Lacquer	+540
T ___	Veneer Tier 1, 2, 3	+781
HG __	High Gloss Polyester	+859

Step 5. Base Finish

T1 __	Veneer Tier 1	+814
T2 __	Veneer Tier 2	+1,948
T3 __	Veneer Tier 3	+3,478
SL __	Satin Lacquer	+0
HG __	High Gloss Polyester	+3,756

Step 6. Power & Connectivity Access: Optional

DRHW	Drawer, Hardwired (layered edge only), Qty 6	+10,242
DRPI	Drawer, Plug In (layered edge only), Qty 6	+8,766
TMHW	Tabletop Metal lid, Hardwired, Qty 2	+5,256
TMPI	Tabletop Metal lid, Plug In, Qty 2	+4,766
TWHW	Tabletop Wood lid, Hardwired (veneer tops only), Qty 2	+6,632
TWPI	Tabletop Wood lid, Plug In (veneer tops only), Qty 2	+6,022
UMHW	Undermount, Hardwired, Qty 6	+5,340
UMPI	Undermount, Plug In, Qty 6	+3,864

Step 7. Microphone and/or Grommet Accommodations: Optional

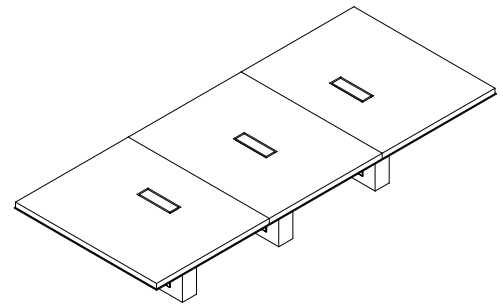
MA __	Microphone hole (factory cut)	Qty __ x 321 each
GM __	2" Grommet Hole (factory cut), liner, lid, in matching metal finish	Qty __ x 423 each

Please consult [page 7](#) for the palette of DatesWeiser finishes. Natural stone, non-standard glass and veneer, and other technology options are available. Please email customerservice@datesweiser.com for a custom quote. Consult technical information on [page 294](#) for construction details and technical information.

Highline Fifty Rectangular Conference Table

60"x144"/ 12 Person

03R60X144



Starting Price: **\$24,379**

60x144 table, slab veneer Tier 1 top, open painted base with no metal trim, powder coat finish

Pattern Number: 03R60X144

Step 1. Top Material

S	Slab (veneer only)	
V	Veneer layered	
G	Glass layered	
C	Corian layered	
Q	Caesarstone layered	

Step 2. Base Options

ON	Open Base, no metal trim	+ 0
OT	Open Base, with metal trim	+2,937

Step 3. Metal Finish

MC __	Powder Coat	+0
PM01	Polished Chrome	+412
PM03	Satin Nickel	+412
PM03	Oil Rubbed Bronze	+412

Step 4A. Top Finish

T1 __	Veneer Tier 1	+0
T2 __	Veneer Tier 2	+1,300
T3 __	Veneer Tier 3	+4,098
GC01	Clear Glass, back painted, white	+2,160
GC __	Clear Glass, back painted, color	+3,558
GE01	Etched matte Glass, back painted, white	+3,507
GE __	Etched matte Glass, back painted, color	+4,975
CS01	Corian Glacier White	+5,970
QS __	Caesarstone	+18,110

Step 4B. Lower Layer Finish (Layer top only)

SL __	Satin Lacquer	+599
T ___	Veneer Tier 1, 2, 3	+829
HG __	High Gloss Polyester	+913

Step 5. Base Finish

T1 __	Veneer Tier 1	+1,221
T2 __	Veneer Tier 2	+2,922
T3 __	Veneer Tier 3	+5,217
SL __	Satin Lacquer	+0
HG __	High Gloss Polyester	+5,634

Step 6. Power & Connectivity Access: Optional

DRHW	Drawer, Hardwired (layered edge only), Qty 6	+10,242
DRPI	Drawer, Plug In (layered edge only), Qty 6	+8,766
TMHW	Tabletop Metal lid, Hardwired, Qty 3	+7,884
TMPI	Tabletop Metal lid, Plug In, Qty 3	+7,149
TWHW	Tabletop Wood lid, Hardwired (veneer tops only), Qty 3	+9,948
TWPI	Tabletop Wood lid, Plug In (veneer tops only), Qty 3	+9,033
UMHW	Undermount, Hardwired, Qty 6	+5,340
UMPI	Undermount, Plug In, Qty 6	+3,864

Step 7. Microphone and/or Grommet Accommodations: Optional

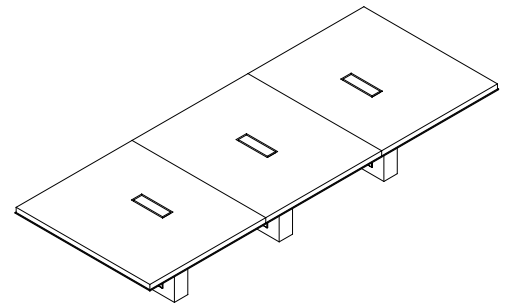
MA __	Microphone hole (factory cut)	Qty __ x 321 each
GM __	2" Grommet Hole (factory cut), liner, lid, in matching metal finish	Qty __ x 423 each

Please consult [page 7](#) for the palette of DatesWeiser finishes. Natural stone, non-standard glass and veneer, and other technology options are available. Please email customerservice@datesweiser.com for a custom quote. Consult technical information on [page 294](#) for construction details and technical information.

Highline Fifty Rectangular Conference Table

60"x156"/ 12 Person

03R60X156



Starting Price: **\$25,332**

60x156 table, slab veneer Tier 1 top, open painted base with no metal trim, powder coat finish

Pattern Number: 03R60X156

Step 1. Top Material

S	Slab (veneer only)	
V	Veneer layered	
G	Glass layered	
C	Corian layered	
Q	Caesarstone layered	

Step 2. Base Options

ON	Open Base, no metal trim	+ 0
OT	Open Base, with metal trim	+2,937

Step 3. Metal Finish

MC __	Powder Coat	+0
PM01	Polished Chrome	+412
PM03	Satin Nickel	+412
PM03	Oil Rubbed Bronze	+412

Step 4A. Top Finish

T1 __	Veneer Tier 1	+0
T2 __	Veneer Tier 2	+1,386
T3 __	Veneer Tier 3	+4,200
GC01	Clear Glass, back painted, white	+2,179
GC __	Clear Glass, back painted, color	+3,628
GE01	Etched matte Glass, back painted, white	+3,506
GE __	Etched matte Glass, back painted, color	+5,024
CS01	Corian Glacier White	+6,008
QS __	Caesarstone	+18,543

Step 4B. Lower Layer Finish (Layer top only)

SL __	Satin Lacquer	+626
T ___	Veneer Tier 1, 2, 3	+888
HG __	High Gloss Polyester	+977

Step 5. Base Finish

T1 __	Veneer Tier 1	+1,221
T2 __	Veneer Tier 2	+2,922
T3 __	Veneer Tier 3	+5,217
SL __	Satin Lacquer	+0
HG __	High Gloss Polyester	+5,634

Step 6. Power & Connectivity Access: Optional

DRHW	Drawer, Hardwired (layered edge only), Qty 6	+10,242
DRPI	Drawer, Plug In (layered edge only), Qty 6	+8,766
TMHW	Tabletop Metal lid, Hardwired, Qty 3	+7,884
TMPI	Tabletop Metal lid, Plug In, Qty 3	+7,149
TWHW	Tabletop Wood lid, Hardwired (veneer tops only), Qty 3	+9,948
TWPI	Tabletop Wood lid, Plug In (veneer tops only), Qty 3	+9,033
UMHW	Undermount, Hardwired, Qty 6	+5,340
UMPI	Undermount, Plug In, Qty 6	+3,864

Step 7. Microphone and/or Grommet Accommodations: Optional

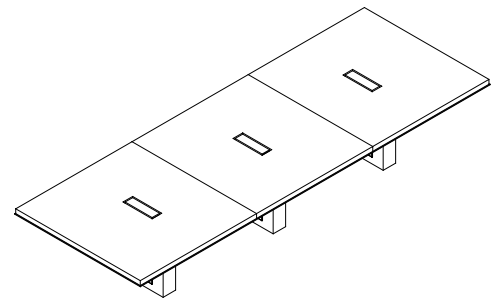
MA __	Microphone hole (factory cut)	Qty __ x 321 each
GM __	2" Grommet Hole (factory cut), liner, lid, in matching metal finish	Qty __ x 423 each

Please consult [page 7](#) for the palette of DatesWeiser finishes. Natural stone, non-standard glass and veneer, and other technology options are available. Please email customerservice@datesweiser.com for a custom quote. Consult technical information on [page 294](#) for construction details and technical information.

Highline Fifty Rectangular Conference Table

60"x168"/ 14 Person

03R60X168



Starting Price: **\$26,603**

60x168 table, slab veneer Tier 1 top, open painted base with no metal trim, powder coat finish

Pattern Number: 03R60X168

Step 1. Top Material

S	Slab (veneer only)	
V	Veneer layered	
G	Glass layered	
C	Corian layered	
Q	Caesarstone layered	

Step 2. Base Options

ON	Open Base, no metal trim	+ 0
OT	Open Base, with metal trim	+2,937

Step 3. Metal Finish

MC __	Powder Coat	+0
PM01	Polished Chrome	+535
PM03	Satin Nickel	+535
PM03	Oil Rubbed Bronze	+535

Step 4A. Top Finish

T1 __	Veneer Tier 1	+0
T2 __	Veneer Tier 2	+1,577
T3 __	Veneer Tier 3	+4,569
GC01	Clear Glass, back painted, white	+2,278
GC __	Clear Glass, back painted, color	+3,799
GE01	Etched matte Glass, back painted, white	+3,513
GE __	Etched matte Glass, back painted, color	+5,099
CS01	Corian Glacier White	+6,190
QS __	Caesarstone	+19,307

Step 4B. Lower Layer Finish (Layer top only)

SL __	Satin Lacquer	+674
T ___	Veneer Tier 1, 2, 3	+936
HG __	High Gloss Polyester	+1,030

Step 5. Base Finish

T1 __	Veneer Tier 1	+1,221
T2 __	Veneer Tier 2	+2,922
T3 __	Veneer Tier 3	+5,217
SL __	Satin Lacquer	+0
HG __	High Gloss Polyester	+5,634

Step 6. Power & Connectivity Access: Optional

DRHW	Drawer, Hardwired (layered edge only), Qty 6	+10,242
DRPI	Drawer, Plug In (layered edge only), Qty 6	+8,766
TMHW	Tabletop Metal lid, Hardwired, Qty 3	+7,884
TMPI	Tabletop Metal lid, Plug In, Qty 3	+7,149
TWHW	Tabletop Wood lid, Hardwired (veneer tops only), Qty 3	+9,948
TWPI	Tabletop Wood lid, Plug In (veneer tops only), Qty 3	+9,033
UMHW	Undermount, Hardwired, Qty 6	+5,340
UMPI	Undermount, Plug In, Qty 6	+3,864

Step 7. Microphone and/or Grommet Accommodations: Optional

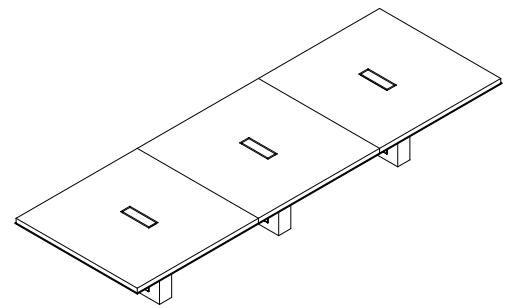
MA __	Microphone hole (factory cut)	Qty __ x 321 each
GM __	2" Grommet Hole (factory cut), liner, lid, in matching metal finish	Qty __ x 423 each

Please consult [page 7](#) for the palette of DatesWeiser finishes. Natural stone, non-standard glass and veneer, and other technology options are available. Please email customerservice@datesweiser.com for a custom quote. Consult technical information on [page 294](#) for construction details and technical information.

Highline Fifty Rectangular Conference Table

60"x180"/ 16 Person

03R60X180



Starting Price: **\$27,571**

60x180 table, slab veneer Tier 1 top, open painted base with no metal trim, powder coat finish

Pattern Number: 03R60X180

Step 1. Top Material

S	Slab (veneer only)
V	Veneer layered
G	Glass layered
C	Corian layered
Q	Caesarstone layered

Step 2. Base Options

ON	Open Base, no metal trim	+ 0
OT	Open Base, with metal trim	+2,937

Step 3. Metal Finish

MC __	Powder Coat	+0
PM01	Polished Chrome	+562
PM03	Satin Nickel	+562
PM03	Oil Rubbed Bronze	+562

Step 4A. Top Finish

T1 __	Veneer Tier 1	+0
T2 __	Veneer Tier 2	+1,637
T3 __	Veneer Tier 3	+4,761
GC01	Clear Glass, back painted, white	+2,545
GC __	Clear Glass, back painted, color	+4,130
GE01	Etched matte Glass, back painted, white	+3,602
GE __	Etched matte Glass, back painted, color	+5,243
CS01	Corian Glacier White	+6,243
QS __	Caesarstone*	+19,769

Step 4B. Lower Layer Finish (Layer top only)

SL __	Satin Lacquer	+690
T ___	Veneer Tier 1, 2, 3	+968
HG __	High Gloss Polyester	+1,066

Step 5. Base Finish

T1 __	Veneer Tier 1	+1,221
T2 __	Veneer Tier 2	+2,922
T3 __	Veneer Tier 3	+5,217
SL __	Satin Lacquer	+0
HG __	High Gloss Polyester	+5,634

Step 6. Power & Connectivity Access: Optional

DRHW	Drawer, Hardwired (layered edge only), Qty 8	+13,656
DRPI	Drawer, Plug In (layered edge only), Qty 8	+11,688
TMHW	Tabletop Metal lid, Hardwired, Qty 3	+7,884
TMPI	Tabletop Metal lid, Plug In, Qty 3	+7,149
TWHW	Tabletop Wood lid, Hardwired (veneer tops only), Qty 3	+9,948
TWPI	Tabletop Wood lid, Plug In (veneer tops only), Qty 3	+9,033
UMHW	Undermount, Hardwired, Qty 8	+7,120
UMPI	Undermount, Plug In, Qty 8	+5,152

Step 7. Microphone and/or Grommet Accommodations: Optional

MA __	Microphone hole (factory cut)	Qty __ x 321 each
GM __	2" Grommet Hole (factory cut), liner, lid, in matching metal finish	Qty __ x 423 each

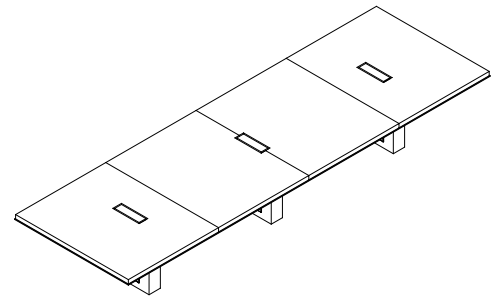
Please consult [page 7](#) for the palette of DatesWeiser finishes. Natural stone, non-standard glass and veneer, and other technology options are available. Please email customerservice@datesweiser.com for a custom quote. Consult technical information on [page 294](#) for construction details and technical information.

*Tables with a Caesarstone finish require a 4-section top.

Highline Fifty Rectangular Conference Table

60"x192"/ 16 Person

03R60X192



Starting Price: **\$31,654**

60x192 table, slab veneer Tier 1 top, open painted base with no metal trim, powder coat finish

Pattern Number: 03R60X192

Step 1. Top Material

S	Slab (veneer only)
V	Veneer layered
G	Glass layered
C	Corian layered
Q	Caesarstone layered

Step 2. Base Options

ON	Open Base, no metal trim	+ 0
OT	Open Base, with metal trim	+2,937

Step 3. Metal Finish

MC __	Powder Coat	+0
PM01	Polished Chrome	+572
PM03	Satin Nickel	+572
PM03	Oil Rubbed Bronze	+572

Step 4A. Top Finish

T1 __	Veneer Tier 1	+0
T2 __	Veneer Tier 2	+1,755
T3 __	Veneer Tier 3	+5,286
GC01	Clear Glass, back painted, white	+2,824
GC __	Clear Glass, back painted, color	+4,638
GE01	Etched matte Glass, back painted, white	+4,302
GE __	Etched matte Glass, back painted, color	+6,195
CS01	Corian Glacier White	+7,543
QS __	Caesarstone	+23,222

Step 4B. Lower Layer Finish (Layer top only)

SL __	Satin Lacquer	+744
T __	Veneer Tier 1, 2, 3	+1,054
HG __	High Gloss Polyester	+1,160

Step 5. Base Finish

T1 __	Veneer Tier 1	+1,221
T2 __	Veneer Tier 2	+2,922
T3 __	Veneer Tier 3	+5,217
SL __	Satin Lacquer	+0
HG __	High Gloss Polyester	+5,634

Step 6. Power & Connectivity Access: Optional

DRHW	Drawer, Hardwired (layered edge only), Qty 8	+13,656
DRPI	Drawer, Plug In (layered edge only), Qty 8	+11,688
TMHW	Tabletop Metal lid, Hardwired, Qty 3	+7,884
TMPI	Tabletop Metal lid, Plug In, Qty 3	+7,149
TWHW	Tabletop Wood lid, Hardwired (veneer tops only), Qty 3	+9,948
TWPI	Tabletop Wood lid, Plug In (veneer tops only), Qty 3	+9,033
UMHW	Undermount, Hardwired, Qty 8	+7,120
UMPI	Undermount, Plug In, Qty 8	+5,152

Step 7. Microphone and/or Grommet Accommodations: Optional

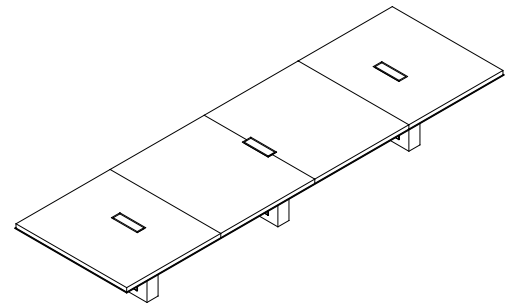
MA __	Microphone hole (factory cut)	Qty __ x 321 each
GM __	2" Grommet Hole (factory cut), liner, lid, in matching metal finish	Qty __ x 423 each

Please consult [page 7](#) for the palette of DatesWeiser finishes. Natural stone, non-standard glass and veneer, and other technology options are available. Please email customerservice@datesweiser.com for a custom quote. Consult technical information on [page 294](#) for construction details and technical information.

Highline Fifty Rectangular Conference Table

60"x204"/ 16 Person

03R60X204



Starting Price: **\$32,588**

60x204 table, slab veneer Tier 1 top, open painted base with no metal trim, powder coat finish

Pattern Number: 03R60X204

Step 1. Top Material

S	Slab (veneer only)
V	Veneer layered
G	Glass layered
C	Corian layered
Q	Caesarstone layered

Step 2. Base Options

ON	Open Base, no metal trim	+ 0
OT	Open Base, with metal trim	+2,937

Step 3. Metal Finish

MC __	Powder Coat	+0
PM01	Polished Chrome	+583
PM03	Satin Nickel	+583
PM03	Oil Rubbed Bronze	+583

Step 4A. Top Finish

T1 __	Veneer Tier 1	+0
T2 __	Veneer Tier 2	+1,846
T3 __	Veneer Tier 3	+5,617
GC01	Clear Glass, back painted, white	+3,006
GC __	Clear Glass, back painted, color	+4,879
GE01	Etched matte Glass, back painted, white	+4,429
GE __	Etched matte Glass, back painted, color	+6,377
CS01	Corian Glacier White	+7,613
QS __	Caesarstone	+23,693

Step 4B. Lower Layer Finish (Layer top only)

SL __	Satin Lacquer	+786
T ___	Veneer Tier 1, 2, 3	+1,113
HG __	High Gloss Polyester	+1,224

Step 5. Base Finish

T1 __	Veneer Tier 1	+1,221
T2 __	Veneer Tier 2	+2,922
T3 __	Veneer Tier 3	+5,217
SL __	Satin Lacquer	+0
HG __	High Gloss Polyester	+5,634

Step 6. Power & Connectivity Access: Optional

DRHW	Drawer, Hardwired (layered edge only), Qty 8	+13,656
DRPI	Drawer, Plug In (layered edge only), Qty 8	+11,688
TMHW	Tabletop Metal lid, Hardwired, Qty 3	+7,884
TMPI	Tabletop Metal lid, Plug In, Qty 3	+7,149
TWHW	Tabletop Wood lid, Hardwired (veneer tops only), Qty 3	+9,948
TWPI	Tabletop Wood lid, Plug In (veneer tops only), Qty 3	+9,033
UMHW	Undermount, Hardwired, Qty 8	+7,120
UMPI	Undermount, Plug In, Qty 8	+5,152

Step 7. Microphone and/or Grommet Accommodations: Optional

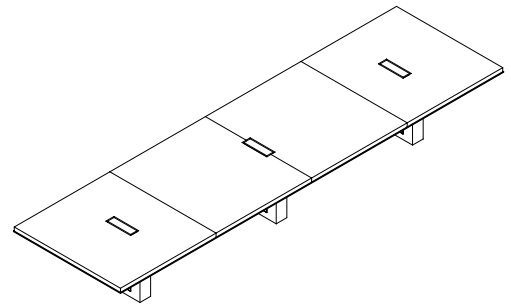
MA __	Microphone hole (factory cut)	Qty __ x 321 each
GM __	2" Grommet Hole (factory cut), liner, lid, in matching metal finish	Qty __ x 423 each

Please consult [page 7](#) for the palette of DatesWeiser finishes. Natural stone, non-standard glass and veneer, and other technology options are available. Please email customerservice@datesweiser.com for a custom quote. Consult technical information on [page 294](#) for construction details and technical information.

Highline Fifty Rectangular Conference Table

60"x216"/ 18 Person

03R60X216



Starting Price: **\$33,561**

60x216 table, slab veneer Tier 1 top, open painted base with no metal trim, powder coat finish

Pattern Number: 03R60X216

Step 1. Top Material

S	Slab (veneer only)	
V	Veneer layered	
G	Glass layered	
C	Corian layered	
Q	Caesarstone layered	

Step 2. Base Options

ON	Open Base, no metal trim	+ 0
OT	Open Base, with metal trim	+2,937

Step 3. Metal Finish

MC __	Powder Coat	+0
PM01	Polished Chrome	+594
PM03	Satin Nickel	+594
PM03	Oil Rubbed Bronze	+594

Step 4A. Top Finish

T1 __	Veneer Tier 1	+0
T2 __	Veneer Tier 2	+1,968
T3 __	Veneer Tier 3	+5,740
GC01	Clear Glass, back painted, white	+3,079
GC __	Clear Glass, back painted, color	+5,007
GE01	Etched matte Glass, back painted, white	+4,517
GE __	Etched matte Glass, back painted, color	+6,521
CS01	Corian Glacier White	+7,677
QS __	Caesarstone	+24,172

Step 4B. Lower Layer Finish (Layer top only)

SL __	Satin Lacquer	+824
T ___	Veneer Tier 1, 2, 3	+1,140
HG __	High Gloss Polyester	+1,254

Step 5. Base Finish

T1 __	Veneer Tier 1	+1,221
T2 __	Veneer Tier 2	+2,922
T3 __	Veneer Tier 3	+5,217
SL __	Satin Lacquer	+0
HG __	High Gloss Polyester	+5,634

Step 6. Power & Connectivity Access: Optional

DRHW	Drawer, Hardwired (layered edge only), Qty 8	+13,656
DRPI	Drawer, Plug In (layered edge only), Qty 8	+11,688
TMHW	Tabletop Metal lid, Hardwired, Qty 3	+7,884
TMPI	Tabletop Metal lid, Plug In, Qty 3	+7,149
TWHW	Tabletop Wood lid, Hardwired (veneer tops only), Qty 3	+9,948
TWPI	Tabletop Wood lid, Plug In (veneer tops only), Qty 3	+9,033
UMHW	Undermount, Hardwired, Qty 8	+7,120
UMPI	Undermount, Plug In, Qty 8	+5,152

Step 7. Microphone and/or Grommet Accommodations: Optional

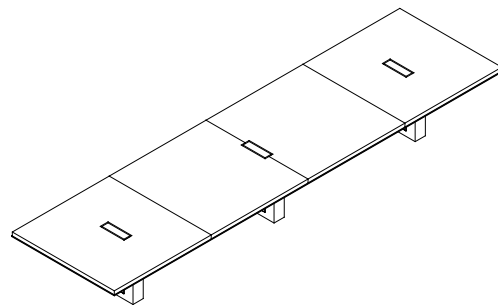
MA __	Microphone hole (factory cut)	Qty __ x 321 each
GM __	2" Grommet Hole (factory cut), liner, lid, in matching metal finish	Qty __ x 423 each

Please consult [page 7](#) for the palette of DatesWeiser finishes. Natural stone, non-standard glass and veneer, and other technology options are available. Please email customerservice@datesweiser.com for a custom quote. Consult technical information on [page 294](#) for construction details and technical information.

Highline Fifty Rectangular Conference Table

60"x228"/ 18 Person

03R60X228



Starting Price: **\$34,495**

60x228 table, slab veneer Tier 1 top, open painted base with no metal trim, powder coat finish

Pattern Number: 03R60X228

Step 1. Top Material

S	Slab (veneer only)
V	Veneer layered
G	Glass layered
C	Corian layered
Q	Caesarstone layered

Step 2. Base Options

ON	Open Base, no metal trim	+ 0
OT	Open Base, with metal trim	+2,937

Step 3. Metal Finish

MC __	Powder Coat	+0
PM01	Polished Chrome	+605
PM03	Satin Nickel	+605
PM03	Oil Rubbed Bronze	+605

Step 4A. Top Finish

T1 __	Veneer Tier 1	+0
T2 __	Veneer Tier 2	+2,022
T3 __	Veneer Tier 3	+5,879
GC01	Clear Glass, back painted, white	+3,271
GC __	Clear Glass, back painted, color	+5,259
GE01	Etched matte Glass, back painted, white	+4,501
GE __	Etched matte Glass, back painted, color	+6,553
CS01	Corian Glacier White	+7,763
QS __	Caesarstone*	+24,665

Step 4B. Lower Layer Finish (Layer top only)

SL __	Satin Lacquer	+867
T ___	Veneer Tier 1, 2, 3	+1,231
HG __	High Gloss Polyester	+1,354

Step 5. Base Finish

T1 __	Veneer Tier 1	+1,221
T2 __	Veneer Tier 2	+2,922
T3 __	Veneer Tier 3	+5,217
SL __	Satin Lacquer	+0
HG __	High Gloss Polyester	+5,634

Step 6. Power & Connectivity Access: Optional

DRHW	Drawer, Hardwired (layered edge only), Qty 8	+13,656
DRPI	Drawer, Plug In (layered edge only), Qty 8	+11,688
TMHW	Tabletop Metal lid, Hardwired, Qty 3	+7,884
TMPI	Tabletop Metal lid, Plug In, Qty 3	+7,149
TWHW	Tabletop Wood lid, Hardwired (veneer tops only), Qty 3	+9,948
TWPI	Tabletop Wood lid, Plug In (veneer tops only), Qty 3	+9,033
UMHW	Undermount, Hardwired, Qty 8	+7,120
UMPI	Undermount, Plug In, Qty 8	+5,152

Step 7. Microphone and/or Grommet Accommodations: Optional

MA __	Microphone hole (factory cut)	Qty __ x 321 each
GM __	2" Grommet Hole (factory cut), liner, lid, in matching metal finish	Qty __ x 423 each

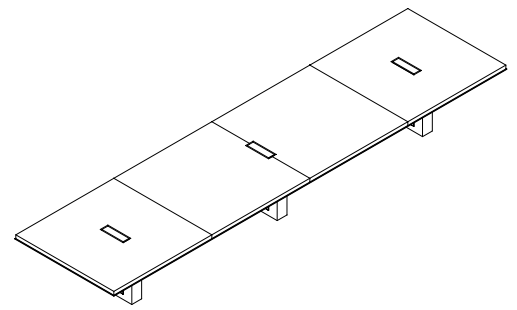
Please consult [page 7](#) for the palette of DatesWeiser finishes. Natural stone, non-standard glass and veneer, and other technology options are available. Please email customerservice@datesweiser.com for a custom quote. Consult technical information on [page 294](#) for construction details and technical information.

*Tables with a Caesarstone finish require a 5-section top.

Highline Fifty Rectangular Conference Table

60"x240"/ 20 Person

03R60X240



Starting Price: **\$35,434**

60x240 table, slab veneer Tier 1 top, open painted base with no metal trim, powder coat finish

Pattern Number: 03R60X240

Step 1. Top Material

S	Slab (veneer only)	
V	Veneer layered	
G	Glass layered	
C	Corian layered	
Q	Caesarstone layered	

Step 2. Base Options

ON	Open Base, no metal trim	+ 0
OT	Open Base, with metal trim	+2,937

Step 3. Metal Finish

MC __	Powder Coat	+0
PM01	Polished Chrome	+615
PM03	Satin Nickel	+615
PM03	Oil Rubbed Bronze	+615

Step 4A. Top Finish

T1 __	Veneer Tier 1	+0
T2 __	Veneer Tier 2	+2,172
T3 __	Veneer Tier 3	+6,201
GC01	Clear Glass, back painted, white	+3,427
GC __	Clear Glass, back painted, color	+5,473
GE01	Etched matte Glass, back painted, white	+4,871
GE __	Etched matte Glass, back painted, color	+6,993
CS01	Corian Glacier White	+7,966
QS __	Caesarstone*	+25,326

Step 4B. Lower Layer Finish (Layer top only)

SL __	Satin Lacquer	+910
T ___	Veneer Tier 1, 2, 3	+1,289
HG __	High Gloss Polyester	+1,419

Step 5. Base Finish

T1 __	Veneer Tier 1	+1,221
T2 __	Veneer Tier 2	+2,922
T3 __	Veneer Tier 3	+5,217
SL __	Satin Lacquer	+0
HG __	High Gloss Polyester	+5,634

Step 6. Power & Connectivity Access: Optional

DRHW	Drawer, Hardwired (layered edge only), Qty 10	+17,070
DRPI	Drawer, Plug In (layered edge only), Qty 10	+14,610
TMHW	Tabletop Metal lid, Hardwired, Qty 3	+7,884
TMPI	Tabletop Metal lid, Plug In, Qty 3	+7,149
TWHW	Tabletop Wood lid, Hardwired (veneer tops only), Qty 3	+9,948
TWPI	Tabletop Wood lid, Plug In (veneer tops only), Qty 3	+9,033
UMHW	Undermount, Hardwired, Qty 10	+8,900
UMPI	Undermount, Plug In, Qty 10	+6,440

Step 7. Microphone and/or Grommet Accommodations: Optional

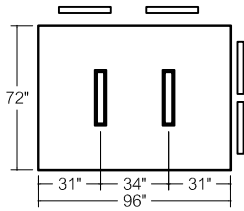
MA __	Microphone hole (factory cut)	Qty __ x 321 each
GM __	2" Grommet Hole (factory cut), liner, lid, in matching metal finish	Qty __ x 423 each

Please consult [page 7](#) for the palette of DatesWeiser finishes. Natural stone, non-standard glass and veneer, and other technology options are available. Please email customerservice@datesweiser.com for a custom quote. Consult technical information on [page 294](#) for construction details and technical information.

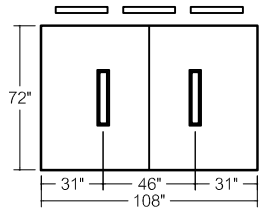
*Tables with a Caesarstone finish require a 5-section top.

Highline Fifty Conference Tables Index

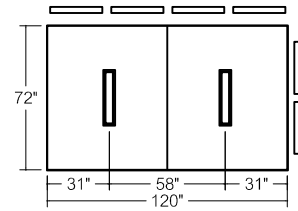
72" width



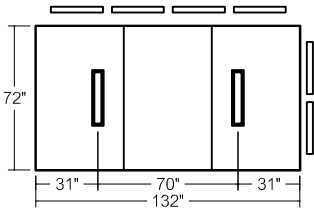
03R72X96
8 Person Table



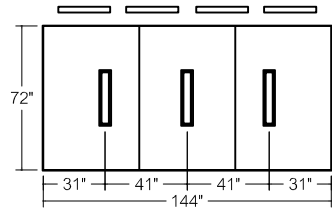
03R72X108
10 Person Table



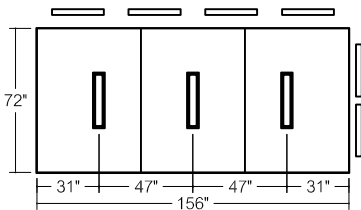
03R72X120
12 Person Table



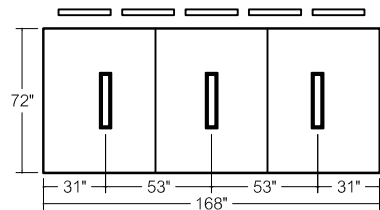
03R72X132
12 Person Table



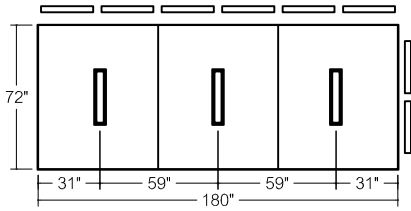
03R72X144
12 Person Table



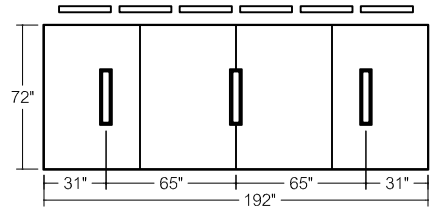
03R72X156
12 Person Table



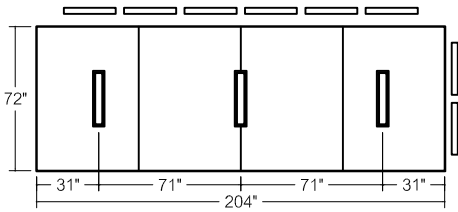
03R72X168
14 Person Table



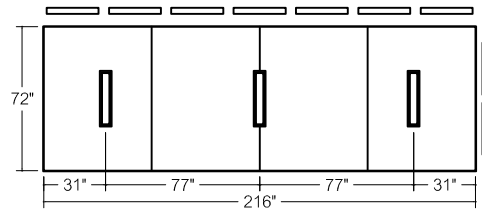
03R72X180
16 Person Table



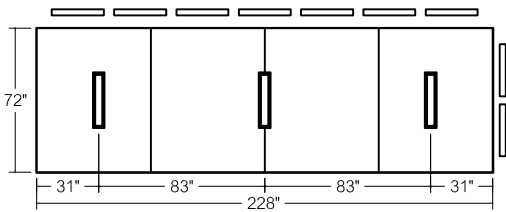
03R72X192
16 Person Table



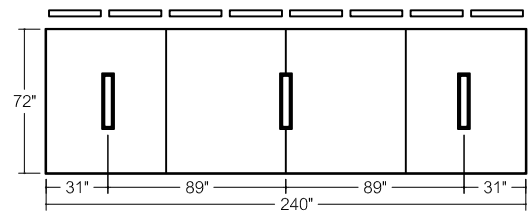
03R72X204
16 Person Table



03R72X216
18 Person Table



03R72X228
18 Person Table

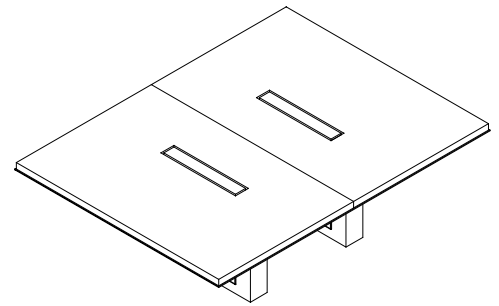


03R72X240
20 Person Table

Highline Fifty Rectangular Conference Table

72"x96"/ 8 Person

03R72X96



Starting Price: \$18,245

72x96 table, slab veneer Tier 1 top, open painted base with no metal trim, powder coat finish

Pattern Number: 03R72X96

Step 1. Top Material

S	Slab (veneer only)	
V	Veneer layered	
G	Glass layered	
C	Corian layered	
Q	Caesarstone layered	

Step 2. Base Options

ON	Open Base, no metal trim	+ 0
OT	Open Base, with metal trim	+ 1958

Step 3. Metal Finish

MC __	Powder Coat	+0
PM01	Polished Chrome	+385
PM02	Satin Nickel	+385
PM03	Oil Rubbed Bronze	+385

Step 4A. Top Finish

T1 __	Veneer Tier 1	+0
T2 __	Veneer Tier 2	+1,043
T3 __	Veneer Tier 3	+2,263
GC01	Clear Glass, back painted, white	+1,074
GC __	Clear Glass, back painted, color	+2,091
GE01	Etched matte Glass, back painted, white	+1,623
GE __	Etched matte Glass, back painted, color	+2,669
CS01	Corian Glacier White	+3,183
QS __	Caesarstone	+11,754

Step 4B. Lower Layer Finish (Layer top only)

SL __	Satin Lacquer	+455
T ___	Veneer Tier 1, 2, 3	+647
HG __	High Gloss Polyester	+713

Step 5. Base Finish

T1 __	Veneer Tier 1	+814
T2 __	Veneer Tier 2	+1,948
T3 __	Veneer Tier 3	+3,478
SL __	Satin Lacquer	+0
HG __	High Gloss Polyester	+3,756

Step 6. Power & Connectivity Access: Optional

DRHW	Drawer, Hardwired (layered edge only), Qty 4	+6,828
DRPI	Drawer, Plug In (layered edge only), Qty 4	+5,844
TMHW	Tabletop Metal lid, Hardwired, Qty 2	+5,256
TMPI	Tabletop Metal lid, Plug In, Qty 2	+4,766
TWHW	Tabletop Wood lid, Hardwired (veneer tops only), Qty 2	+6,632
TWPI	Tabletop Wood lid, Plug In (veneer tops only), Qty 2	+6,022
UMHW	Undermount, Hardwired, Qty 4	+3,560
UMPI	Undermount, Plug In, Qty 4	+2,576

Step 7. Microphone and/or Grommet Accommodations: Optional

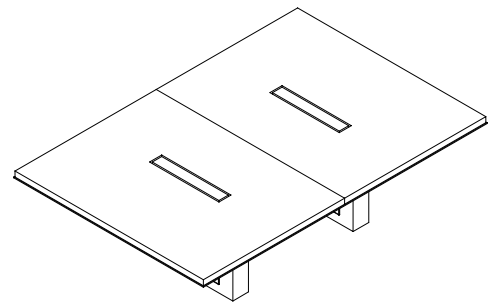
MA __	Microphone hole (factory cut)	Qty __ x 321 each
GM __	2" Grommet Hole (factory cut), liner, lid, in matching metal finish	Qty __ x 423 each

Please consult [page 7](#) for the palette of DatesWeiser finishes. Natural stone, non-standard glass and veneer, and other technology options are available. Please email customerservice@datesweiser.com for a custom quote. Consult technical information on [page 294](#) for construction details and technical information.

Highline Fifty Rectangular Conference Table

72"x108"/ 10 Person

03R72X108



Starting Price: **\$19,366**

72x208 table, slab veneer Tier 1 top, open painted base with no metal trim, powder coat finish

Pattern Number: 03R72X108

Step 1. Top Material

S	Slab (veneer only)
V	Veneer layered
G	Glass layered
C	Corian layered
Q	Caesarstone layered

Step 2. Base Options

ON	Open Base, no metal trim	+ 0
OT	Open Base, with metal trim	+1,958

Step 3. Metal Finish

MC __	Powder Coat	+0
PM01	Polished Chrome	+391
PM03	Satin Nickel	+391
PM03	Oil Rubbed Bronze	+391

Step 4A. Top Finish

T1 __	Veneer Tier 1	+0
T2 __	Veneer Tier 2	+1,177
T3 __	Veneer Tier 3	+2,552
GC01	Clear Glass, back painted, white	+1,364
GC __	Clear Glass, back painted, color	+2,456
GE01	Etched matte Glass, back painted, white	+1,903
GE __	Etched matte Glass, back painted, color	+3,023
CS01	Corian Glacier White	+3,403
QS __	Caesarstone	+12,510

Step 4B. Lower Layer Finish (Layer top only)

SL __	Satin Lacquer	+503
T ___	Veneer Tier 1, 2, 3	+744
HG __	High Gloss Polyester	+819

Step 5. Base Finish

T1 __	Veneer Tier 1	+814
T2 __	Veneer Tier 2	+1,948
T3 __	Veneer Tier 3	+3,478
SL __	Satin Lacquer	+0
HG __	High Gloss Polyester	+3,756

Step 6. Power & Connectivity Access: Optional

DRHW	Drawer, Hardwired (layered edge only), Qty 4	+6,828
DRPI	Drawer, Plug In (layered edge only), Qty 4	+5,844
TMHW	Tabletop Metal lid, Hardwired, Qty 2	+5,256
TMPI	Tabletop Metal lid, Plug In, Qty 2	+4,766
TWHW	Tabletop Wood lid, Hardwired (veneer tops only), Qty 2	+6,632
TWPI	Tabletop Wood lid, Plug In (veneer tops only), Qty 2	+6,022
UMHW	Undermount, Hardwired, Qty 4	+3,560
UMPI	Undermount, Plug In, Qty 4	+2,576

Step 7. Microphone and/or Grommet Accommodations: Optional

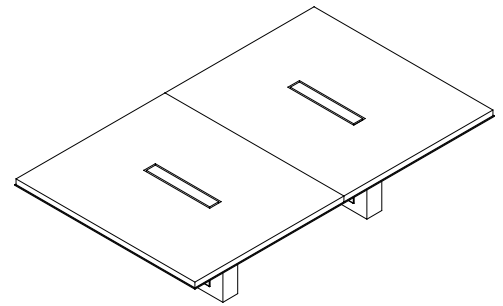
MA __	Microphone hole (factory cut)	Qty __ x 321 each
GM __	2" Grommet Hole (factory cut), liner, lid, in matching metal finish	Qty __ x 423 each

Please consult [page 7](#) for the palette of DatesWeiser finishes. Natural stone, non-standard glass and veneer, and other technology options are available. Please email customerservice@datesweiser.com for a custom quote. Consult technical information on [page 294](#) for construction details and technical information.

Highline Fifty Rectangular Conference Table

72"x120"/ 12 Person

03R72X120



Starting Price: **\$20,589**

72x120 table, slab veneer Tier 1 top, open painted base with no metal trim, powder coat finish

Pattern Number: 03R72X120

Step 1. Top Material

S	Slab (veneer only)	
V	Veneer layered	
G	Glass layered	
C	Corian layered	
Q	Caesarstone layered	

Step 2. Base Options

ON	Open Base, no metal trim	+ 0
OT	Open Base, with metal trim	+1,958

Step 3. Metal Finish

MC __	Powder Coat	+0
PM01	Polished Chrome	+396
PM03	Satin Nickel	+396
PM03	Oil Rubbed Bronze	+396

Step 4A. Top Finish

T1 __	Veneer Tier 1	+0
T2 __	Veneer Tier 2	+1,289
T3 __	Veneer Tier 3	+3,488
GC01	Clear Glass, back painted, white	+1,451
GC __	Clear Glass, back painted, color	+2,611
GE01	Etched matte Glass, back painted, white	+2,401
GE __	Etched matte Glass, back painted, color	+3,611
CS01	Corian Glacier White	+4,580
QS __	Caesarstone	+14,647

Step 4B. Lower Layer Finish (Layer top only)

SL __	Satin Lacquer	+551
T ___	Veneer Tier 1, 2, 3	+813
HG __	High Gloss Polyester	+895

Step 5. Base Finish

T1 __	Veneer Tier 1	+814
T2 __	Veneer Tier 2	+1,948
T3 __	Veneer Tier 3	+3,478
SL __	Satin Lacquer	+0
HG __	High Gloss Polyester	+3,756

Step 6. Power & Connectivity Access: Optional

DRHW	Drawer, Hardwired (layered edge only), Qty 6	+10,242
DRPI	Drawer, Plug In (layered edge only), Qty 6	+8,766
TMHW	Tabletop Metal lid, Hardwired, Qty 2	+5,256
TMPI	Tabletop Metal lid, Plug In, Qty 2	+4,766
TWHW	Tabletop Wood lid, Hardwired (veneer tops only), Qty 2	+6,632
TWPI	Tabletop Wood lid, Plug In (veneer tops only), Qty 2	+6,022
UMHW	Undermount, Hardwired, Qty 6	+5,340
UMPI	Undermount, Plug In, Qty 6	+3,864

Step 7. Microphone and/or Grommet Accommodations: Optional

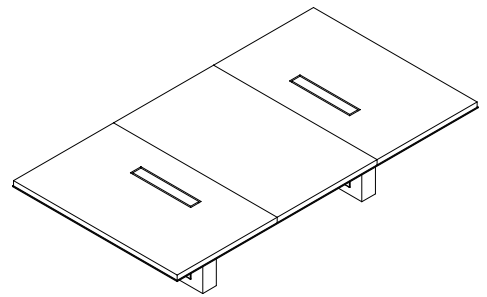
MA __	Microphone hole (factory cut)	Qty __ x 321 each
GM __	2" Grommet Hole (factory cut), liner, lid, in matching metal finish	Qty __ x 423 each

Please consult [page 7](#) for the palette of DatesWeiser finishes. Natural stone, non-standard glass and veneer, and other technology options are available. Please email customerservice@datesweiser.com for a custom quote. Consult technical information on [page 294](#) for construction details and technical information.

Highline Fifty Rectangular Conference Table

72"x132"/ 12 Person

03R72X132



Starting Price: **\$25,337**

72x132 table, slab veneer Tier 1 top, open painted base with no metal trim, powder coat finish

Pattern Number: 03R72X132

Step 1. Top Material

S	Slab (veneer only)	
V	Veneer layered	
G	Glass layered	
C	Corian layered	
Q	Caesarstone layered	

Step 2. Base Options

ON	Open Base, no metal trim	+ 0
OT	Open Base, with metal trim	+1,958

Step 3. Metal Finish

MC __	Powder Coat	+0
PM01	Polished Chrome	+401
PM03	Satin Nickel	+401
PM03	Oil Rubbed Bronze	+401

Step 4A. Top Finish

T1 __	Veneer Tier 1	+0
T2 __	Veneer Tier 2	+1,444
T3 __	Veneer Tier 3	+4,312
GC01	Clear Glass, back painted, white	+2,128
GC __	Clear Glass, back painted, color	+3,573
GE01	Etched matte Glass, back painted, white	+3,383
GE __	Etched matte Glass, back painted, color	+4,895
CS01	Corian Glacier White	+5,986
QS __	Caesarstone	+18,516

Step 4B. Lower Layer Finish (Layer top only)

SL __	Satin Lacquer	+605
T ___	Veneer Tier 1, 2, 3	+840
HG __	High Gloss Polyester	+924

Step 5. Base Finish

T1 __	Veneer Tier 1	+814
T2 __	Veneer Tier 2	+1,948
T3 __	Veneer Tier 3	+3,478
SL __	Satin Lacquer	+0
HG __	High Gloss Polyester	+3,756

Step 6. Power & Connectivity Access: Optional

DRHW	Drawer, Hardwired (layered edge only), Qty 6	+10,242
DRPI	Drawer, Plug In (layered edge only), Qty 6	+8,766
TMHW	Tabletop Metal lid, Hardwired, Qty 2	+5,256
TMPI	Tabletop Metal lid, Plug In, Qty 2	+4,766
TWHW	Tabletop Wood lid, Hardwired (veneer tops only), Qty 2	+6,632
TWPI	Tabletop Wood lid, Plug In (veneer tops only), Qty 2	+6,022
UMHW	Undermount, Hardwired, Qty 6	+5,340
UMPI	Undermount, Plug In, Qty 6	+3,864

Step 7. Microphone and/or Grommet Accommodations: Optional

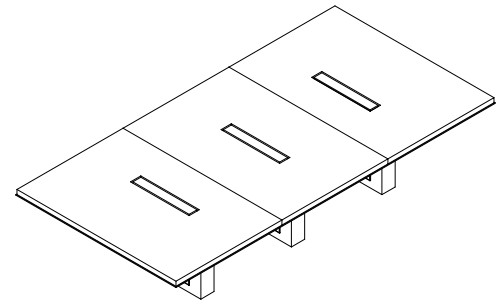
MA __	Microphone hole (factory cut)	Qty __ x 321 each
GM __	2" Grommet Hole (factory cut), liner, lid, in matching metal finish	Qty __ x 423 each

Please consult [page 7](#) for the palette of DatesWeiser finishes. Natural stone, non-standard glass and veneer, and other technology options are available. Please email customerservice@datesweiser.com for a custom quote. Consult technical information on [page 294](#) for construction details and technical information.

Highline Fifty Rectangular Conference Table

72"x144"/ 12 Person

03R72X144



Starting Price: **\$26,733**

72x144 table, slab veneer Tier 1 top, open painted base with no metal trim, powder coat finish

Pattern Number: 03R72X144

Step 1. Top Material

S	Slab (veneer only)	
V	Veneer layered	
G	Glass layered	
C	Corian layered	
Q	Caesarstone layered	

Step 2. Base Options

ON	Open Base, no metal trim	+ 0
OT	Open Base, with metal trim	+2,937

Step 3. Metal Finish

MC __	Powder Coat	+0
PM01	Polished Chrome	+407
PM03	Satin Nickel	+407
PM03	Oil Rubbed Bronze	+407

Step 4A. Top Finish

T1 __	Veneer Tier 1	+0
T2 __	Veneer Tier 2	+1,525
T3 __	Veneer Tier 3	+4,697
GC01	Clear Glass, back painted, white	+2,257
GC __	Clear Glass, back painted, color	+3,782
GE01	Etched matte Glass, back painted, white	+3,421
GE __	Etched matte Glass, back painted, color	+5,007
CS01	Corian Glacier White	+6,136
QS __	Caesarstone	+19,284

Step 4B. Lower Layer Finish (Layer top only)

SL __	Satin Lacquer	+599
T ___	Veneer Tier 1, 2, 3	+829
HG __	High Gloss Polyester	+913

Step 5. Base Finish

T1 __	Veneer Tier 1	+1,221
T2 __	Veneer Tier 2	+2,922
T3 __	Veneer Tier 3	+5,217
SL __	Satin Lacquer	+0
HG __	High Gloss Polyester	+5,634

Step 6. Power & Connectivity Access: Optional

DRHW	Drawer, Hardwired (layered edge only), Qty 6	+10,242
DRPI	Drawer, Plug In (layered edge only), Qty 6	+8,766
TMHW	Tabletop Metal lid, Hardwired, Qty 3	+7,884
TMPI	Tabletop Metal lid, Plug In, Qty 3	+7,149
TWHW	Tabletop Wood lid, Hardwired (veneer tops only), Qty 3	+9,948
TWPI	Tabletop Wood lid, Plug In (veneer tops only), Qty 3	+9,033
UMHW	Undermount, Hardwired, Qty 6	+5,340
UMPI	Undermount, Plug In, Qty 6	+3,864

Step 7. Microphone and/or Grommet Accommodations: Optional

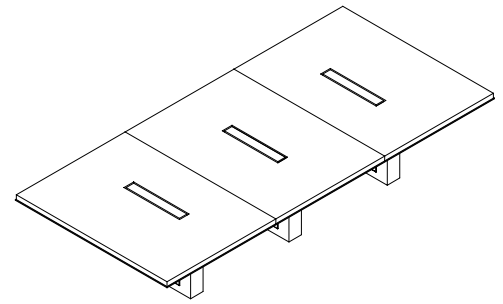
MA __	Microphone hole (factory cut)	Qty __ x 321 each
GM __	2" Grommet Hole (factory cut), liner, lid, in matching metal finish	Qty __ x 423 each

Please consult [page 7](#) for the palette of DatesWeiser finishes. Natural stone, non-standard glass and veneer, and other technology options are available. Please email customerservice@datesweiser.com for a custom quote. Consult technical information on [page 294](#) for construction details and technical information.

Highline Fifty Rectangular Conference Table

72"x156"/ 12 Person

03R72X156



Starting Price: **\$27,831**

72x156 table, slab veneer Tier 1 top, open painted base with no metal trim, powder coat finish

Pattern Number: 03R72X156

Step 1. Top Material

S	Slab (veneer only)	
V	Veneer layered	
G	Glass layered	
C	Corian layered	
Q	Caesarstone layered	

Step 2. Base Options

ON	Open Base, no metal trim	+ 0
OT	Open Base, with metal trim	+2,937

Step 3. Metal Finish

MC __	Powder Coat	+0
PM01	Polished Chrome	+412
PM03	Satin Nickel	+412
PM03	Oil Rubbed Bronze	+412

Step 4A. Top Finish

T1 __	Veneer Tier 1	+0
T2 __	Veneer Tier 2	+1,701
T3 __	Veneer Tier 3	+4,965
GC01	Clear Glass, back painted, white	+2,385
GC __	Clear Glass, back painted, color	+3,975
GE01	Etched matte Glass, back painted, white	+3,634
GE __	Etched matte Glass, back painted, color	+5,291
CS01	Corian Glacier White	+6,275
QS __	Caesarstone	+19,918

Step 4B. Lower Layer Finish (Layer top only)

SL __	Satin Lacquer	+717
T ___	Veneer Tier 1, 2, 3	+979
HG __	High Gloss Polyester	+1,077

Step 5. Base Finish

T1 __	Veneer Tier 1	+1,221
T2 __	Veneer Tier 2	+2,922
T3 __	Veneer Tier 3	+5,217
SL __	Satin Lacquer	+0
HG __	High Gloss Polyester	+5,634

Step 6. Power & Connectivity Access: Optional

DRHW	Drawer, Hardwired (layered edge only), Qty 6	+10,242
DRPI	Drawer, Plug In (layered edge only), Qty 6	+8,766
TMHW	Tabletop Metal lid, Hardwired, Qty 3	+7,884
TMPI	Tabletop Metal lid, Plug In, Qty 3	+7,149
TWHW	Tabletop Wood lid, Hardwired (veneer tops only), Qty 3	+9,948
TWPI	Tabletop Wood lid, Plug In (veneer tops only), Qty 3	+9,033
UMHW	Undermount, Hardwired, Qty 6	+5,340
UMPI	Undermount, Plug In, Qty 6	+3,864

Step 7. Microphone and/or Grommet Accommodations: Optional

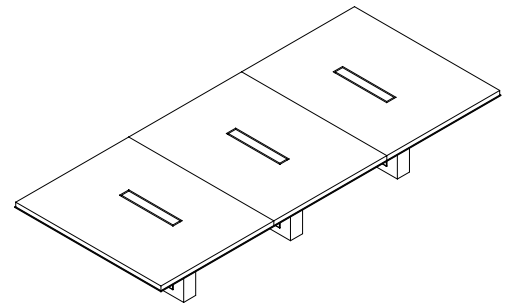
MA __	Microphone hole (factory cut)	Qty __ x 321 each
GM __	2" Grommet Hole (factory cut), liner, lid, in matching metal finish	Qty __ x 423 each

Please consult [page 7](#) for the palette of DatesWeiser finishes. Natural stone, non-standard glass and veneer, and other technology options are available. Please email customerservice@datesweiser.com for a custom quote. Consult technical information on [page 294](#) for construction details and technical information.

Highline Fifty Rectangular Conference Table

72"x168"/ 14 Person

03R72X168



Starting Price: \$29,300

72x168 table, slab veneer Tier 1 top, open painted base with no metal trim, powder coat finish

Pattern Number: 03R72X168

Step 1. Top Material

S	Slab (veneer only)	
V	Veneer layered	
G	Glass layered	
C	Corian layered	
Q	Caesarstone layered	

Step 2. Base Options

ON	Open Base, no metal trim	+ 0
OT	Open Base, with metal trim	+2,937

Step 3. Metal Finish

MC __	Powder Coat	+0
PM01	Polished Chrome	+562
PM03	Satin Nickel	+562
PM03	Oil Rubbed Bronze	+562

Step 4A. Top Finish

T1 __	Veneer Tier 1	+0
T2 __	Veneer Tier 2	+1,797
T3 __	Veneer Tier 3	+5,152
GC01	Clear Glass, back painted, white	+2,422
GC __	Clear Glass, back painted, color	+4,093
GE01	Etched matte Glass, back painted, white	+3,754
GE __	Etched matte Glass, back painted, color	+5,494
CS01	Corian Glacier White	+6,425
QS __	Caesarstone	+20,715

Step 4B. Lower Layer Finish (Layer top only)

SL __	Satin Lacquer	+760
T ___	Veneer Tier 1, 2, 3	+1,054
HG __	High Gloss Polyester	+1,160

Step 5. Base Finish

T1 __	Veneer Tier 1	+1,221
T2 __	Veneer Tier 2	+2,922
T3 __	Veneer Tier 3	+5,217
SL __	Satin Lacquer	+0
HG __	High Gloss Polyester	+5,634

Step 6. Power & Connectivity Access: Optional

DRHW	Drawer, Hardwired (layered edge only), Qty 6	+10,242
DRPI	Drawer, Plug In (layered edge only), Qty 6	+8,766
TMHW	Tabletop Metal lid, Hardwired, Qty 3	+7,884
TMPI	Tabletop Metal lid, Plug In, Qty 3	+7,149
TWHW	Tabletop Wood lid, Hardwired (veneer tops only), Qty 3	+9,948
TWPI	Tabletop Wood lid, Plug In (veneer tops only), Qty 3	+9,033
UMHW	Undermount, Hardwired, Qty 6	+5,340
UMPI	Undermount, Plug In, Qty 6	+3,864

Step 7. Microphone and/or Grommet Accommodations: Optional

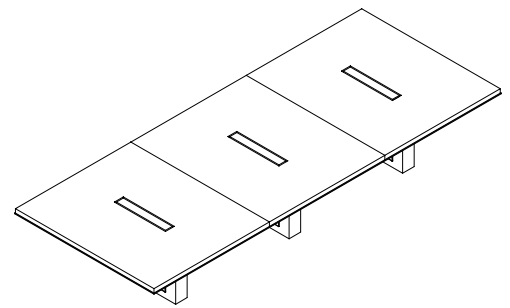
MA __	Microphone hole (factory cut)	Qty __ x 321 each
GM __	2" Grommet Hole (factory cut), liner, lid, in matching metal finish	Qty __ x 423 each

Please consult [page 7](#) for the palette of DatesWeiser finishes. Natural stone, non-standard glass and veneer, and other technology options are available. Please email customerservice@datesweiser.com for a custom quote. Consult technical information on [page 294](#) for construction details and technical information.

Highline Fifty Rectangular Conference Table

72"x180"/ 16 Person

03R72X180



Starting Price: **\$30,431**

72x180 table, slab veneer Tier 1 top, open painted base with no metal trim, powder coat finish

Pattern Number: 03R72X180

Step 1. Top Material

S	Slab (veneer only)	
V	Veneer layered	
G	Glass layered	
C	Corian layered	
Q	Caesarstone layered	

Step 2. Base Options

ON	Open Base, no metal trim	+ 0
OT	Open Base, with metal trim	+2937

Step 3. Metal Finish

MC __	Powder Coat	+0
PM01	Polished Chrome	+572
PM03	Satin Nickel	+572
PM03	Oil Rubbed Bronze	+572

Step 4A. Top Finish

T1 __	Veneer Tier 1	+0
T2 __	Veneer Tier 2	+1,920
T3 __	Veneer Tier 3	+5,334
GC01	Clear Glass, back painted, white	+2,631
GC __	Clear Glass, back painted, color	+4,371
GE01	Etched matte Glass, back painted, white	+3,901
GE __	Etched matte Glass, back painted, color	+5,708
CS01	Corian Glacier White	+6,810
QS __	Caesarstone*	+21,707

Step 4B. Lower Layer Finish (Layer top only)

SL __	Satin Lacquer	+781
T ___	Veneer Tier 1, 2, 3	+1,118
HG __	High Gloss Polyester	+1,231

Step 5. Base Finish

T1 __	Veneer Tier 1	+1,221
T2 __	Veneer Tier 2	+2,922
T3 __	Veneer Tier 3	+5,217
SL __	Satin Lacquer	+0
HG __	High Gloss Polyester	+5,634

Step 6. Power & Connectivity Access: Optional

DRHW	Drawer, Hardwired (layered edge only), Qty 8	+13,656
DRPI	Drawer, Plug In (layered edge only), Qty 8	+11,688
TMHW	Tabletop Metal lid, Hardwired, Qty 3	+7,884
TMPI	Tabletop Metal lid, Plug In, Qty 3	+7,149
TWHW	Tabletop Wood lid, Hardwired (veneer tops only), Qty 3	+9,948
TWPI	Tabletop Wood lid, Plug In (veneer tops only), Qty 3	+9,033
UMHW	Undermount, Hardwired, Qty 8	+7,120
UMPI	Undermount, Plug In, Qty 8	+5,152

Step 7. Microphone and/or Grommet Accommodations: Optional

MA __	Microphone hole (factory cut)	Qty __ x 321 each
GM __	2" Grommet Hole (factory cut), liner, lid, in matching metal finish	Qty __ x 423 each

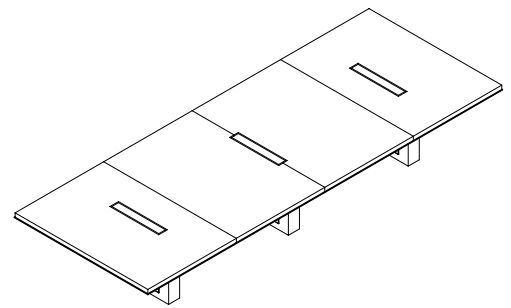
Please consult [page 7](#) for the palette of DatesWeiser finishes. Natural stone, non-standard glass and veneer, and other technology options are available. Please email customerservice@datesweiser.com for a custom quote. Consult technical information on [page 294](#) for construction details and technical information.

*Tables with a Caesarstone finish require a 4-section top.

Highline Fifty Rectangular Conference Table

72"x192"/ 16 Person

03R72X192



Starting Price: **\$34,712**

72x192 table, slab veneer Tier 1 top, open painted base with no metal trim, powder coat finish

Pattern Number: 03R72X192

Step 1. Top Material

S	Slab (veneer only)	
V	Veneer layered	
G	Glass layered	
C	Corian layered	
Q	Caesarstone layered	

Step 2. Base Options

ON	Open Base, no metal trim	+ 0
OT	Open Base, with metal trim	+2,937

Step 3. Metal Finish

MC __	Powder Coat	+0
PM01	Polished Chrome	+583
PM03	Satin Nickel	+583
PM03	Oil Rubbed Bronze	+583

Step 4A. Top Finish

T1 __	Veneer Tier 1	+0
T2 __	Veneer Tier 2	+2,086
T3 __	Veneer Tier 3	+5,580
GC01	Clear Glass, back painted, white	+2,782
GC __	Clear Glass, back painted, color	+4,756
GE01	Etched matte Glass, back painted, white	+4,297
GE __	Etched matte Glass, back painted, color	+6,350
CS01	Corian Glacier White	+7,720
QS __	Caesarstone	+24,692

Step 4B. Lower Layer Finish (Layer top only)

SL __	Satin Lacquer	+840
T ___	Veneer Tier 1, 2, 3	+1,182
HG __	High Gloss Polyester	+1,301

Step 5. Base Finish

T1 __	Veneer Tier 1	+1,221
T2 __	Veneer Tier 2	+2,922
T3 __	Veneer Tier 3	+5,217
SL __	Satin Lacquer	+0
HG __	High Gloss Polyester	+5,634

Step 6. Power & Connectivity Access: Optional

DRHW	Drawer, Hardwired (layered edge only), Qty 8	+13,656
DRPI	Drawer, Plug In (layered edge only), Qty 8	+11,688
TMHW	Tabletop Metal lid, Hardwired, Qty 3	+7,884
TMPI	Tabletop Metal lid, Plug In, Qty 3	+7,149
TWHW	Tabletop Wood lid, Hardwired (veneer tops only), Qty 3	+9,948
TWPI	Tabletop Wood lid, Plug In (veneer tops only), Qty 3	+9,033
UMHW	Undermount, Hardwired, Qty 8	+7,120
UMPI	Undermount, Plug In, Qty 8	+5,152

Step 7. Microphone and/or Grommet Accommodations: Optional

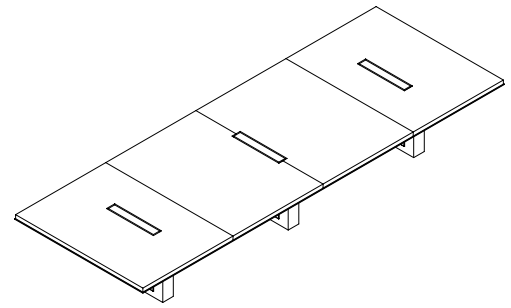
MA __	Microphone hole (factory cut)	Qty __ x 321 each
GM __	2" Grommet Hole (factory cut), liner, lid, in matching metal finish	Qty __ x 423 each

Please consult [page 7](#) for the palette of DatesWeiser finishes. Natural stone, non-standard glass and veneer, and other technology options are available. Please email customerservice@datesweiser.com for a custom quote. Consult technical information on [page 294](#) for construction details and technical information.

Highline Fifty Rectangular Conference Table

72"x204"/ 16 Person

03R72X204



Starting Price: **\$35,887**

72x204 table, slab veneer Tier 1 top, open painted base with no metal trim, powder coat finish

Pattern Number: 03R72X204

Step 1. Top Material

S	Slab (veneer only)	
V	Veneer layered	
G	Glass layered	
C	Corian layered	
Q	Caesarstone layered	

Step 2. Base Options

ON	Open Base, no metal trim	+ 0
OT	Open Base, with metal trim	+2,937

Step 3. Metal Finish

MC __	Powder Coat	+0
PM01	Polished Chrome	+594
PM03	Satin Nickel	+594
PM03	Oil Rubbed Bronze	+594

Step 4A. Top Finish

T1 __	Veneer Tier 1	+0
T2 __	Veneer Tier 2	+2,166
T3 __	Veneer Tier 3	+5,815
GC01	Clear Glass, back painted, white	+3,008
GC __	Clear Glass, back painted, color	+5,055
GE01	Etched matte Glass, back painted, white	+4,431
GE __	Etched matte Glass, back painted, color	+6,553
CS01	Corian Glacier White	+7,934
QS __	Caesarstone	+25,461

Step 4B. Lower Layer Finish (Layer top only)

SL __	Satin Lacquer	+915
T ___	Veneer Tier 1, 2, 3	+1,247
HG __	High Gloss Polyester	+1,372

Step 5. Base Finish

T1 __	Veneer Tier 1	+1,221
T2 __	Veneer Tier 2	+2,922
T3 __	Veneer Tier 3	+5,217
SL __	Satin Lacquer	+0
HG __	High Gloss Polyester	+5,634

Step 6. Power & Connectivity Access: Optional

DRHW	Drawer, Hardwired (layered edge only), Qty 8	+13,656
DRPI	Drawer, Plug In (layered edge only), Qty 8	+11,688
TMHW	Tabletop Metal lid, Hardwired, Qty 3	+7,884
TMPI	Tabletop Metal lid, Plug In, Qty 3	+7,149
TWHW	Tabletop Wood lid, Hardwired (veneer tops only), Qty 3	+9,948
TWPI	Tabletop Wood lid, Plug In (veneer tops only), Qty 3	+9,033
UMHW	Undermount, Hardwired, Qty 8	+7,120
UMPI	Undermount, Plug In, Qty 8	+5,152

Step 7. Microphone and/or Grommet Accommodations: Optional

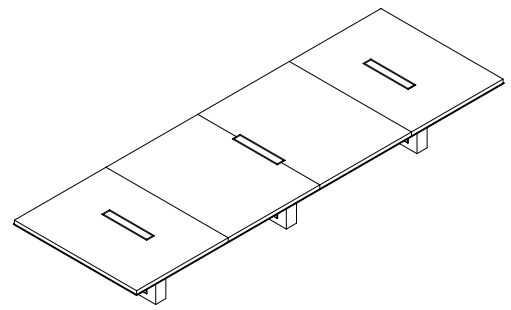
MA __	Microphone hole (factory cut)	Qty __ x 321 each
GM __	2" Grommet Hole (factory cut), liner, lid, in matching metal finish	Qty __ x 423 each

Please consult [page 7](#) for the palette of DatesWeiser finishes. Natural stone, non-standard glass and veneer, and other technology options are available. Please email customerservice@datesweiser.com for a custom quote. Consult technical information on [page 294](#) for construction details and technical information.

Highline Fifty Rectangular Conference Table

72"x216"/ 18 Person

03R72X216



Starting Price: **\$36,989**

72x216 table, slab veneer Tier 1 top, open painted base with no metal trim, powder coat finish

Pattern Number: 03R72X216

Step 1. Top Material

S	Slab (veneer only)	
V	Veneer layered	
G	Glass layered	
C	Corian layered	
Q	Caesarstone layered	

Step 2. Base Options

ON	Open Base, no metal trim	+ 0
OT	Open Base, with metal trim	+2,937

Step 3. Metal Finish

MC __	Powder Coat	+0
PM01	Polished Chrome	+605
PM03	Satin Nickel	+605
PM03	Oil Rubbed Bronze	+605

Step 4A. Top Finish

T1 __	Veneer Tier 1	+0
T2 __	Veneer Tier 2	+2,311
T3 __	Veneer Tier 3	+6,104
GC01	Clear Glass, back painted, white	+3,223
GC __	Clear Glass, back painted, color	+5,339
GE01	Etched matte Glass, back painted, white	+4,620
GE __	Etched matte Glass, back painted, color	+6,810
CS01	Corian Glacier White	+8,212
QS __	Caesarstone	+26,293

Step 4B. Lower Layer Finish (Layer top only)

SL __	Satin Lacquer	+958
T ___	Veneer Tier 1, 2, 3	+1,311
HG __	High Gloss Polyester	+1,442

Step 5. Base Finish

T1 __	Veneer Tier 1	+1,221
T2 __	Veneer Tier 2	+2,922
T3 __	Veneer Tier 3	+5,217
SL __	Satin Lacquer	+0
HG __	High Gloss Polyester	+5,634

Step 6. Power & Connectivity Access: Optional

DRHW	Drawer, Hardwired (layered edge only), Qty 8	+13,656
DRPI	Drawer, Plug In (layered edge only), Qty 8	+11,688
TMHW	Tabletop Metal lid, Hardwired, Qty 3	+7,884
TMPI	Tabletop Metal lid, Plug In, Qty 3	+7,149
TWHW	Tabletop Wood lid, Hardwired (veneer tops only), Qty 3	+9,948
TWPI	Tabletop Wood lid, Plug In (veneer tops only), Qty 3	+9,033
UMHW	Undermount, Hardwired, Qty 8	+7,120
UMPI	Undermount, Plug In, Qty 8	+5,152

Step 7. Microphone and/or Grommet Accommodations: Optional

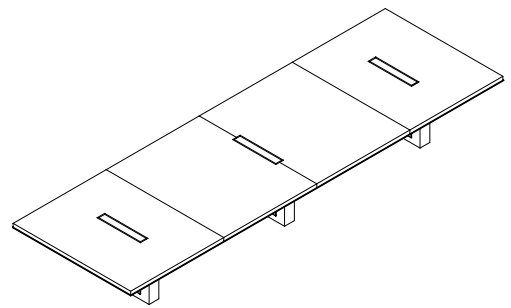
MA __	Microphone hole (factory cut)	Qty __ x 321 each
GM __	2" Grommet Hole (factory cut), liner, lid, in matching metal finish	Qty __ x 423 each

Please consult [page 7](#) for the palette of DatasWeiser finishes. Natural stone, non-standard glass and veneer, and other technology options are available. Please email customerservice@datasweiser.com for a custom quote. Consult technical information on [page 294](#) for construction details and technical information.

Highline Fifty Rectangular Conference Table

72"x228"/ 18 Person

03R72X228



Starting Price: **\$38,116**

72x228 table, slab veneer Tier 1 top, open painted base with no metal trim, powder coat finish

Pattern Number: 03R72X228

Step 1. Top Material

S	Slab (veneer only)
V	Veneer layered
G	Glass layered
C	Corian layered
Q	Caesarstone layered

Step 2. Base Options

ON	Open Base, no metal trim	+ 0
OT	Open Base, with metal trim	+2,937

Step 3. Metal Finish

MC __	Powder Coat	+0
PM01	Polished Chrome	+615
PM03	Satin Nickel	+615
PM03	Oil Rubbed Bronze	+615

Step 4A. Top Finish

T1 __	Veneer Tier 1	+0
T2 __	Veneer Tier 2	+2,450
T3 __	Veneer Tier 3	+6,398
GC01	Clear Glass, back painted, white	+3,389
GC __	Clear Glass, back painted, color	+5,574
GE01	Etched matte Glass, back painted, white	+4,777
GE __	Etched matte Glass, back painted, color	+7,035
CS01	Corian Glacier White	+8,367
QS __	Caesarstone*	+26,960

Step 4B. Lower Layer Finish (Layer top only)

SL __	Satin Lacquer	+1,000
T ___	Veneer Tier 1, 2, 3	+1,370
HG __	High Gloss Polyester	+1,507

Step 5. Base Finish

T1 __	Veneer Tier 1	+1,221
T2 __	Veneer Tier 2	+2,922
T3 __	Veneer Tier 3	+5,217
SL __	Satin Lacquer	+0
HG __	High Gloss Polyester	+5,634

Step 6. Power & Connectivity Access: Optional

DRHW	Drawer, Hardwired (layered edge only), Qty 8	+13,656
DRPI	Drawer, Plug In (layered edge only), Qty 8	+11,688
TMHW	Tabletop Metal lid, Hardwired, Qty 3	+7,884
TMPI	Tabletop Metal lid, Plug In, Qty 3	+7,149
TWHW	Tabletop Wood lid, Hardwired (veneer tops only), Qty 3	+9,948
TWPI	Tabletop Wood lid, Plug In (veneer tops only), Qty 3	+9,033
UMHW	Undermount, Hardwired, Qty 8	+7,120
UMPI	Undermount, Plug In, Qty 8	+5,152

Step 7. Microphone and/or Grommet Accommodations: Optional

MA __	Microphone hole (factory cut)	Qty __ x 321 each
GM __	2" Grommet Hole (factory cut), liner, lid, in matching metal finish	Qty __ x 423 each

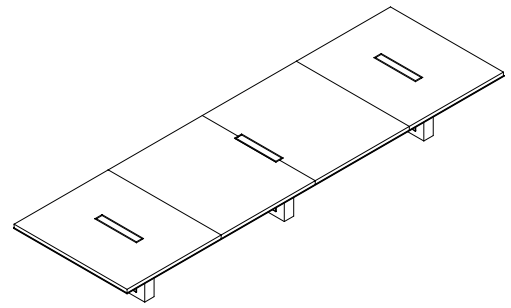
Please consult [page 7](#) for the palette of DatesWeiser finishes. Natural stone, non-standard glass and veneer, and other technology options are available. Please email customerservice@datesweiser.com for a custom quote. Consult technical information on [page 294](#) for construction details and technical information.

*Tables with a Caesarstone finish require a 5-section top.

Highline Fifty Rectangular Conference Table

72"x240"/ 20 Person

03R72X240



Starting Price: **\$40,548**

72x240 table, slab veneer Tier 1 top, open painted base with no metal trim, powder coat finish

Pattern Number: 03R72X240

Step 1. Top Material

S	Slab (veneer only)	
V	Veneer layered	
G	Glass layered	
C	Corian layered	
Q	Caesarstone layered	

Step 2. Base Options

ON	Open Base, no metal trim	+ 0
OT	Open Base, with metal trim	+2,937

Step 3. Metal Finish

MC __	Powder Coat	+0
PM01	Polished Chrome	+626
PM03	Satin Nickel	+626
PM03	Oil Rubbed Bronze	+626

Step 4A. Top Finish

T1 __	Veneer Tier 1	+0
T2 __	Veneer Tier 2	+2,627
T3 __	Veneer Tier 3	+6,650
GC01	Clear Glass, back painted, white	+3,618
GC __	Clear Glass, back painted, color	+5,944
GE01	Etched matte Glass, back painted, white	+4,849
GE __	Etched matte Glass, back painted, color	+7,249
CS01	Corian Glacier White	+8,554
QS __	Caesarstone*	+28,194

Step 4B. Lower Layer Finish (Layer top only)

SL __	Satin Lacquer	+1,113
T ___	Veneer Tier 1, 2, 3	+1,439
HG __	High Gloss Polyester	+1,584

Step 5. Base Finish

T1 __	Veneer Tier 1	+1,221
T2 __	Veneer Tier 2	+2,922
T3 __	Veneer Tier 3	+5,217
SL __	Satin Lacquer	+0
HG __	High Gloss Polyester	+5,634

Step 6. Power & Connectivity Access: Optional

DRHW	Drawer, Hardwired (layered edge only), Qty 10	+17,070
DRPI	Drawer, Plug In (layered edge only), Qty 10	+14,610
TMHW	Tabletop Metal lid, Hardwired, Qty 3	+7,884
TMPI	Tabletop Metal lid, Plug In, Qty 3	+7,149
TWHW	Tabletop Wood lid, Hardwired (veneer tops only), Qty 3	+9,948
TWPI	Tabletop Wood lid, Plug In (veneer tops only), Qty 3	+9,033
UMHW	Undermount, Hardwired, Qty 10	+8,900
UMPI	Undermount, Plug In, Qty 10	+6,020

Step 7. Microphone and/or Grommet Accommodations: Optional

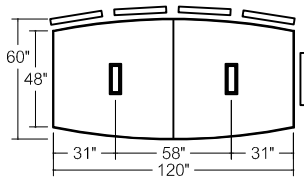
MA __	Microphone hole (factory cut)	Qty __ x 321 each
GM __	2" Grommet Hole (factory cut), liner, lid, in matching metal finish	Qty __ x 423 each

Please consult [page 7](#) for the palette of DatesWeiser finishes. Natural stone, non-standard glass and veneer, and other technology options are available. Please email customerservice@datesweiser.com for a custom quote. Consult technical information on [page 294](#) for construction details and technical information.

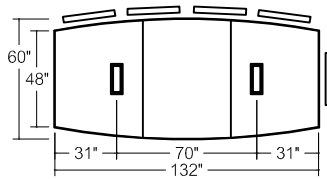
*Tables with a Caesarstone finish require a 5-section top.

Highline Fifty Boat Tables Index

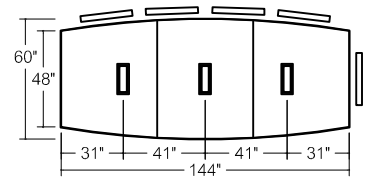
48"-72" width



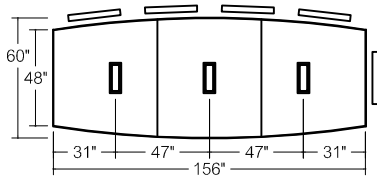
03B60X120
10 Person Table



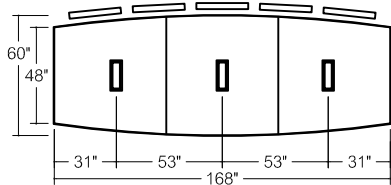
03B60X132
10 Person Table



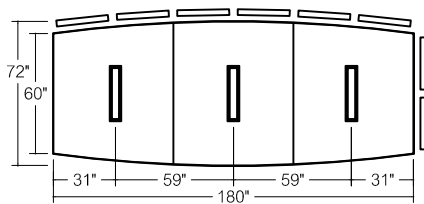
03B60X144
10 Person Table



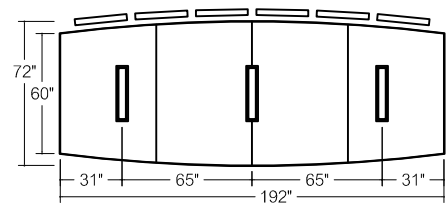
03B60X156
10 Person Table



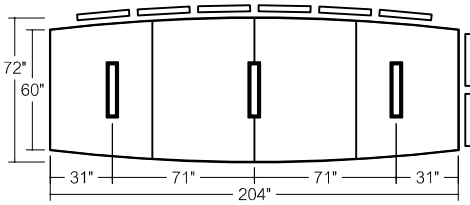
03B60X168
12 Person Table



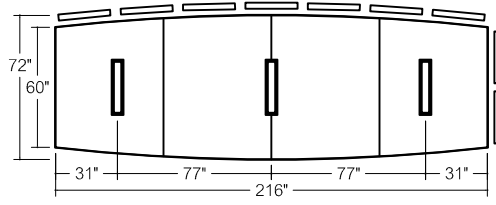
03B72X180
16 Person Table



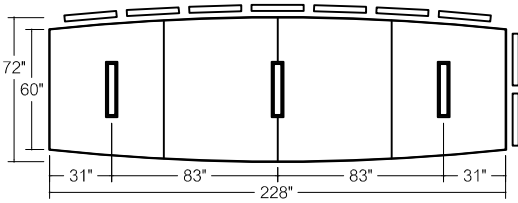
03B72X192
16 Person Table



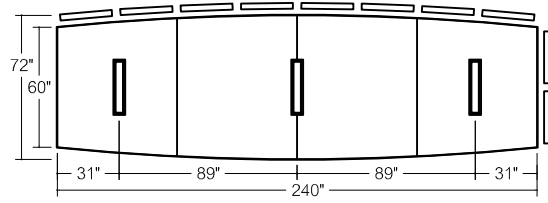
03B72X204
16 Person Table



03B72X216
18 Person Table



03B72X228
18 Person Table

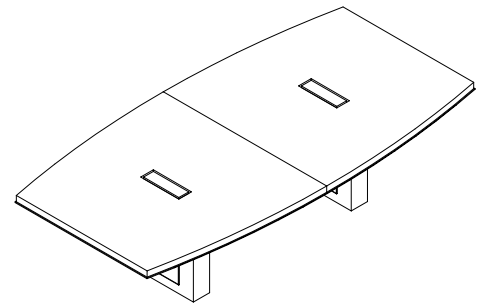


03B72X240
20 Person Table

Highline Fifty Boat Conference Table

60"x120"/ 10 Person

03B60X120



Starting Price: **\$23,179**

60x120 table, slab veneer Tier 1 top, open painted base with no metal trim, powder coat finish

Pattern Number: 03B60X120

Step 1. Top Material

S	Slab (veneer only)	
V	Veneer layered	
G	Glass layered	
C	Corian layered	
Q	Caesarstone layered	

Step 2. Base Options

ON	Open Base, no metal trim	+ 0
OT	Open Base, with metal trim	+1,958

Step 3. Metal Finish

MC __	Powder Coat	+0
PM01	Polished Chrome	+1,236
PM03	Satin Nickel	+1,236
PM03	Oil Rubbed Bronze	+1,236

Step 4A. Top Finish

T1 __	Veneer Tier 1	+0
T2 __	Veneer Tier 2	+1,044
T3 __	Veneer Tier 3	+3,253
GC01	Clear Glass, back painted, white	+3,959
GC __	Clear Glass, back painted, color	+5,388
GE01	Etched matte Glass, back painted, white	+5,383
GE __	Etched matte Glass, back painted, color	+6,886
CS01	Corian Glacier White	+9,839
QS __	Caesarstone	+23,046

Step 4B. Lower Layer Finish (Layer top only)

SL __	Satin Lacquer	+540
T ___	Veneer Tier 1, 2, 3	+797
HG __	High Gloss Polyester	+877

Step 5. Base Finish

T1 __	Veneer Tier 1	+728
T2 __	Veneer Tier 2	+1,530
T3 __	Veneer Tier 3	+3,092
SL __	Satin Lacquer	+0
HG __	High Gloss Polyester	+3,338

Step 6. Power & Connectivity Access: Optional

DRHW	Drawer, Hardwired (layered edge only), Qty 6	+10,242
DRPI	Drawer, Plug In (layered edge only), Qty 6	+8,766
TMHW	Tabletop Metal lid, Hardwired, Qty 2	+3,996
TMPI	Tabletop Metal lid, Plug In, Qty 2	+3,498
TWHW	Tabletop Wood lid, Hardwired (veneer tops only), Qty 2	+5,122
TWPI	Tabletop Wood lid, Plug In (veneer tops only), Qty 2	+4,596
UMHW	Undermount, Hardwired, Qty 6	+5,340
UMPI	Undermount, Plug In, Qty 6	+3,864

Step 7. Microphone and/or Grommet Accommodations: Optional

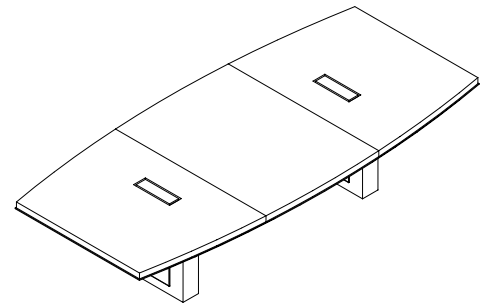
MA __	Microphone hole (factory cut)	Qty __ x 321 each
GM __	2" Grommet Hole (factory cut), liner, lid, in matching metal finish	Qty __ x 423 each

Please consult [page 7](#) for the palette of DatesWeiser finishes. Natural stone, non-standard glass and veneer, and other technology options are available. Please email customerservice@datesweiser.com for a custom quote. Consult technical information on [page 294](#) for construction details and technical information.

Highline Fifty Boat Conference Table

60"x132"/ 10 Person

03B60X132



Starting Price: **\$28,293**

60x132 table, slab veneer Tier 1 top, open painted base with no metal trim, powder coat finish

Pattern Number: 03B60X132

Step 1. Top Material

S	Slab (veneer only)	
V	Veneer layered	
G	Glass layered	
C	Corian layered	
Q	Caesarstone layered	

Step 2. Base Options

ON	Open Base, no metal trim	+ 0
OT	Open Base, with metal trim	+1,958

Step 3. Metal Finish

MC __	Powder Coat	+0
PM01	Polished Chrome	+1,466
PM03	Satin Nickel	+1,466
PM03	Oil Rubbed Bronze	+1,466

Step 4A. Top Finish

T1 __	Veneer Tier 1	+0
T2 __	Veneer Tier 2	+1,225
T3 __	Veneer Tier 3	+3,595
GC01	Clear Glass, back painted, white	+5,248
GC __	Clear Glass, back painted, color	+7,014
GE01	Etched matte Glass, back painted, white	+6,788
GE __	Etched matte Glass, back painted, color	+8,635
CS01	Corian Glacier White	+11,941
QS __	Caesarstone	+28,035

Step 4B. Lower Layer Finish (Layer top only)

SL __	Satin Lacquer	+605
T ___	Veneer Tier 1, 2, 3	+808
HG __	High Gloss Polyester	+889

Step 5. Base Finish

T1 __	Veneer Tier 1	+728
T2 __	Veneer Tier 2	+1,530
T3 __	Veneer Tier 3	+3,092
SL __	Satin Lacquer	+0
HG __	High Gloss Polyester	+3,338

Step 6. Power & Connectivity Access: Optional

DRHW	Drawer, Hardwired (layered edge only), Qty 6	+10,242
DRPI	Drawer, Plug In (layered edge only), Qty 6	+8,766
TMHW	Tabletop Metal lid, Hardwired, Qty 2	+3,996
TMPI	Tabletop Metal lid, Plug In, Qty 2	+3,498
TWHW	Tabletop Wood lid, Hardwired (veneer tops only), Qty 2	+5,122
TWPI	Tabletop Wood lid, Plug In (veneer tops only), Qty 2	+4,596
UMHW	Undermount, Hardwired, Qty 6	+5,340
UMPI	Undermount, Plug In, Qty 6	+3,864

Step 7. Microphone and/or Grommet Accommodations: Optional

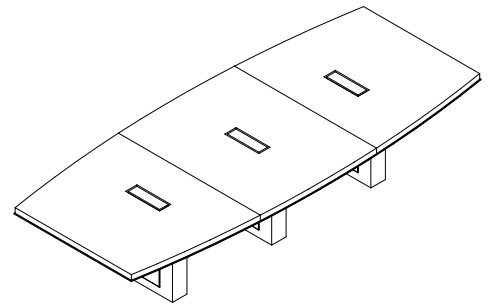
MA __	Microphone hole (factory cut)	Qty __ x 321 each
GM __	2" Grommet Hole (factory cut), liner, lid, in matching metal finish	Qty __ x 423 each

Please consult [page 7](#) for the palette of DatesWeiser finishes. Natural stone, non-standard glass and veneer, and other technology options are available. Please email customerservice@datesweiser.com for a custom quote. Consult technical information on [page 294](#) for construction details and technical information.

Highline Fifty Boat Conference Table

60"x144"/ 10 Person

03B60X144



Starting Price: **\$29,766**

60x144 table, slab veneer Tier 1 top, open painted base with no metal trim, powder coat finish

Pattern Number: 03B60X144

Step 1. Top Material

S	Slab (veneer only)	
V	Veneer layered	
G	Glass layered	
C	Corian layered	
Q	Caesarstone layered	

Step 2. Base Options

ON	Open Base, no metal trim	+ 0
OT	Open Base, with metal trim	+2,937

Step 3. Metal Finish

MC __	Powder Coat	+0
PM01	Polished Chrome	+1,493
PM03	Satin Nickel	+1,493
PM03	Oil Rubbed Bronze	+1,493

Step 4A. Top Finish

T1 __	Veneer Tier 1	+0
T2 __	Veneer Tier 2	+1,354
T3 __	Veneer Tier 3	+3,911
GC01	Clear Glass, back painted, white	+5,354
GC __	Clear Glass, back painted, color	+7,201
GE01	Etched matte Glass, back painted, white	+7,066
GE __	Etched matte Glass, back painted, color	+9,004
CS01	Corian Glacier White	+12,546
QS __	Caesarstone	+29,471

Step 4B. Lower Layer Finish (Layer top only)

SL __	Satin Lacquer	+647
T ___	Veneer Tier 1, 2, 3	+867
HG __	High Gloss Polyester	+953

Step 5. Base Finish

T1 __	Veneer Tier 1	+1,092
T2 __	Veneer Tier 2	+2,295
T3 __	Veneer Tier 3	+4,638
SL __	Satin Lacquer	+0
HG __	High Gloss Polyester	+5,007

Step 6. Power & Connectivity Access: Optional

DRHW	Drawer, Hardwired (layered edge only), Qty 6	+10,242
DRPI	Drawer, Plug In (layered edge only), Qty 6	+8,766
TMHW	Tabletop Metal lid, Hardwired, Qty 3	+5,994
TMPI	Tabletop Metal lid, Plug In, Qty 3	+5,247
TWHW	Tabletop Wood lid, Hardwired (veneer tops only), Qty 3	+7,683
TWPI	Tabletop Wood lid, Plug In (veneer tops only), Qty 3	+6,894
UMHW	Undermount, Hardwired, Qty 6	+5,340
UMPI	Undermount, Plug In, Qty 6	+3,864

Step 7. Microphone and/or Grommet Accommodations: Optional

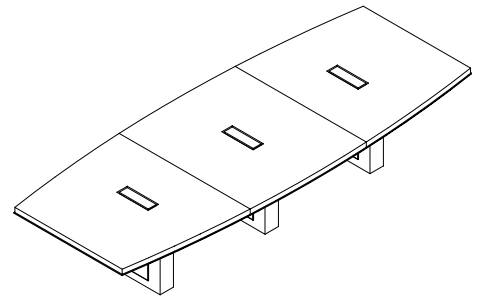
MA __	Microphone hole (factory cut)	Qty __ x 321 each
GM __	2" Grommet Hole (factory cut), liner, lid, in matching metal finish	Qty __ x 423 each

Please consult [page 7](#) for the palette of DatesWeiser finishes. Natural stone, non-standard glass and veneer, and other technology options are available. Please email customerservice@datesweiser.com for a custom quote. Consult technical information on [page 294](#) for construction details and technical information.

Highline Fifty Boat Conference Table

60"x156"/ 10 Person

03B60X156



Starting Price: **\$30,860**

60x156 table, slab veneer Tier 1 top, open painted base with no metal trim, powder coat finish

Pattern Number: 03B60X156

Step 1. Top Material

S	Slab (veneer only)	
V	Veneer layered	
G	Glass layered	
C	Corian layered	
Q	Caesarstone layered	

Step 2. Base Options

ON	Open Base, no metal trim	+ 0
OT	Open Base, with metal trim	+2,937

Step 3. Metal Finish

MC __	Powder Coat	+0
PM01	Polished Chrome	+1498
PM03	Satin Nickel	+1498
PM03	Oil Rubbed Bronze	+1498

Step 4A. Top Finish

T1 __	Veneer Tier 1	+0
T2 __	Veneer Tier 2	+1,450
T3 __	Veneer Tier 3	+4,221
GC01	Clear Glass, back painted, white	+5,318
GC __	Clear Glass, back painted, color	+7,222
GE01	Etched matte Glass, back painted, white	+7,223
GE __	Etched matte Glass, back painted, color	+9,229
CS01	Corian Glacier White	+13,086
QS __	Caesarstone	+30,664

Step 4B. Lower Layer Finish (Layer top only)

SL __	Satin Lacquer	+722
T __ __	Veneer Tier 1, 2, 3	+961
HG __	High Gloss Polyester	+1,057

Step 5. Base Finish

T1 __	Veneer Tier 1	+1,092
T2 __	Veneer Tier 2	+2,295
T3 __	Veneer Tier 3	+4,638
SL __	Satin Lacquer	+0
HG __	High Gloss Polyester	+5,007

Step 6. Power & Connectivity Access: Optional

DRHW	Drawer, Hardwired (layered edge only), Qty 6	+10,242
DRPI	Drawer, Plug In (layered edge only), Qty 6	+8,766
TMHW	Tabletop Metal lid, Hardwired, Qty 3	+5,994
TMPI	Tabletop Metal lid, Plug In, Qty 3	+5,247
TWHW	Tabletop Wood lid, Hardwired (veneer tops only), Qty 3	+7,683
TWPI	Tabletop Wood lid, Plug In (veneer tops only), Qty 3	+6,894
UMHW	Undermount, Hardwired, Qty 6	+5,340
UMPI	Undermount, Plug In, Qty 6	+3,864

Step 7. Microphone and/or Grommet Accommodations: Optional

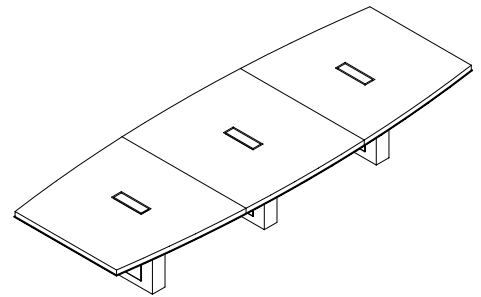
MA __	Microphone hole (factory cut)	Qty __ x 321 each
GM __	2" Grommet Hole (factory cut), liner, lid, in matching metal finish	Qty __ x 423 each

Please consult [page 7](#) for the palette of DatesWeiser finishes. Natural stone, non-standard glass and veneer, and other technology options are available. Please email customerservice@datesweiser.com for a custom quote. Consult technical information on [page 294](#) for construction details and technical information.

Highline Fifty Boat Conference Table

60"x168"/ 12 Person

03B60X168



Starting Price: **\$31,972**

60x168 table, slab veneer Tier 1 top, open painted base with no metal trim, powder coat finish

Pattern Number: 03B60X168

Step 1. Top Material

S	Slab (veneer only)	
V	Veneer layered	
G	Glass layered	
C	Corian layered	
Q	Caesarstone layered	

Step 2. Base Options

ON	Open Base, no metal trim	+ 0
OT	Open Base, with metal trim	+2,937

Step 3. Metal Finish

MC __	Powder Coat	+0
PM01	Polished Chrome	+1,514
PM03	Satin Nickel	+1,514
PM03	Oil Rubbed Bronze	+1,514

Step 4A. Top Finish

T1 __	Veneer Tier 1	+0
T2 __	Veneer Tier 2	+1,503
T3 __	Veneer Tier 3	+4,494
GC01	Clear Glass, back painted, white	+5,298
GC __	Clear Glass, back painted, color	+7,260
GE01	Etched matte Glass, back painted, white	+7,326
GE __	Etched matte Glass, back painted, color	+9,394
CS01	Corian Glacier White	+13,567
QS __	Caesarstone	+31,783

Step 4B. Lower Layer Finish (Layer top only)

SL __	Satin Lacquer	+797
T ___	Veneer Tier 1, 2, 3	+1,081
HG __	High Gloss Polyester	+1,189

Step 5. Base Finish

T1 __	Veneer Tier 1	+1,092
T2 __	Veneer Tier 2	+2,295
T3 __	Veneer Tier 3	+4,638
SL __	Satin Lacquer	+0
HG __	High Gloss Polyester	+5,007

Step 6. Power & Connectivity Access: Optional

DRHW	Drawer, Hardwired (layered edge only), Qty 6	+10,242
DRPI	Drawer, Plug In (layered edge only), Qty 6	+8,766
TMHW	Tabletop Metal lid, Hardwired, Qty 3	+5,994
TMPI	Tabletop Metal lid, Plug In, Qty 3	+5,247
TWHW	Tabletop Wood lid, Hardwired (veneer tops only), Qty 3	+7,683
TWPI	Tabletop Wood lid, Plug In (veneer tops only), Qty 3	+6,894
UMHW	Undermount, Hardwired, Qty 6	+5,340
UMPI	Undermount, Plug In, Qty 6	+3,864

Step 7. Microphone and/or Grommet Accommodations: Optional

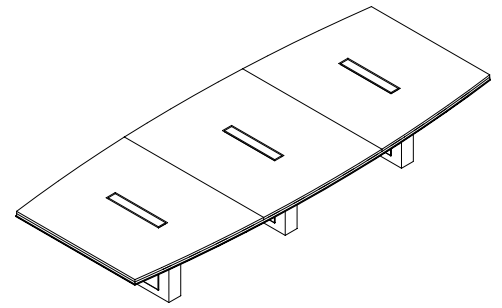
MA __	Microphone hole (factory cut)	Qty __ x 321 each
GM __	2" Grommet Hole (factory cut), liner, lid, in matching metal finish	Qty __ x 423 each

Please consult [page 7](#) for the palette of DatesWeiser finishes. Natural stone, non-standard glass and veneer, and other technology options are available. Please email customerservice@datesweiser.com for a custom quote. Consult technical information on [page 294](#) for construction details and technical information.

Highline Fifty Boat Conference Table

72"x180"/ 16 Person

03B72X180



Starting Price: **\$36,859**

72x180 table, slab veneer Tier 1 top, open painted base with no metal trim, powder coat finish

Pattern Number: 03B72X180

Step 1. Top Material

S	Slab (veneer only)	
V	Veneer layered	
G	Glass layered	
C	Corian layered	
Q	Caesarstone layered	

Step 2. Base Options

ON	Open Base, no metal trim	+ 0
OT	Open Base, with metal trim	+2,937

Step 3. Metal Finish

MC __	Powder Coat	+0
PM01	Polished Chrome	+1,552
PM03	Satin Nickel	+1,552
PM03	Oil Rubbed Bronze	+1,552

Step 4A. Top Finish

T1 __	Veneer Tier 1	+0
T2 __	Veneer Tier 2	+1,942
T3 __	Veneer Tier 3	+5,875
GC01	Clear Glass, back painted, white	+5,461
GC __	Clear Glass, back painted, color	+7,688
GE01	Etched matte Glass, back painted, white	+8,052
GE __	Etched matte Glass, back painted, color	+10,417
CS01	Corian Glacier White	+15,745
QS __	Caesarstone*	+36,787

Step 4B. Lower Layer Finish (Layer top only)

SL __	Satin Lacquer	+899
T ___	Veneer Tier 1, 2, 3	+1,252
HG __	High Gloss Polyester	+1,377

Step 5. Base Finish

T1 __	Veneer Tier 1	+1,221
T2 __	Veneer Tier 2	+2,922
T3 __	Veneer Tier 3	+5,217
SL __	Satin Lacquer	+0
HG __	High Gloss Polyester	+5,634

Step 6. Power & Connectivity Access: Optional

DRHW	Drawer, Hardwired (layered edge only), Qty 8	+13,656
DRPI	Drawer, Plug In (layered edge only), Qty 8	+11,688
TMHW	Tabletop Metal lid, Hardwired, Qty 3	+7,884
TMPI	Tabletop Metal lid, Plug In, Qty 3	+7,149
TWHW	Tabletop Wood lid, Hardwired (veneer tops only), Qty 3	+9,948
TWPI	Tabletop Wood lid, Plug In (veneer tops only), Qty 3	+9,033
UMHW	Undermount, Hardwired, Qty 8	+7,120
UMPI	Undermount, Plug In, Qty 8	+5,152

Step 7. Microphone and/or Grommet Accommodations: Optional

MA __	Microphone hole (factory cut)	Qty __ x 321 each
GM __	2" Grommet Hole (factory cut), liner, lid, in matching metal finish	Qty __ x 423 each

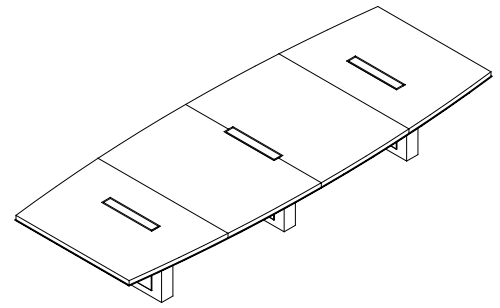
Please consult [page 7](#) for the palette of DatesWeiser finishes. Natural stone, non-standard glass and veneer, and other technology options are available. Please email customerservice@datesweiser.com for a custom quote. Consult technical information on [page 294](#) for construction details and technical information.

*Tables with a Caesarstone finish require a 4-section top.

Highline Fifty Boat Conference Table

72"x192"/ 16 Person

03B72X192



Starting Price: \$41,530

72x192 table, slab veneer Tier 1 top, open painted base with no metal trim, powder coat finish

Pattern Number: 03B72X192

Step 1. Top Material

S	Slab (veneer only)	
V	Veneer layered	
G	Glass layered	
C	Corian layered	
Q	Caesarstone layered	

Step 2. Base Options

ON	Open Base, no metal trim	+ 0
OT	Open Base, with metal trim	+2,937

Step 3. Metal Finish

MC __	Powder Coat	+0
PM01	Polished Chrome	+1,578
PM03	Satin Nickel	+1,578
PM03	Oil Rubbed Bronze	+1,578

Step 4A. Top Finish

T1 __	Veneer Tier 1	+0
T2 __	Veneer Tier 2	+2,108
T3 __	Veneer Tier 3	+6,217
GC01	Clear Glass, back painted, white	+6,543
GC __	Clear Glass, back painted, color	+9,074
GE01	Etched matte Glass, back painted, white	+9,236
GE __	Etched matte Glass, back painted, color	+11,909
CS01	Corian Glacier White	+17,585
QS __	Caesarstone	+41,231

Step 4B. Lower Layer Finish (Layer top only)

SL __	Satin Lacquer	+974
T ___	Veneer Tier 1, 2, 3	+1,263
HG __	High Gloss Polyester	+1,389

Step 5. Base Finish

T1 __	Veneer Tier 1	+1,221
T2 __	Veneer Tier 2	+2,922
T3 __	Veneer Tier 3	+5,217
SL __	Satin Lacquer	+0
HG __	High Gloss Polyester	+5,634

Step 6. Power & Connectivity Access: Optional

DRHW	Drawer, Hardwired (layered edge only), Qty 8	+13,656
DRPI	Drawer, Plug In (layered edge only), Qty 8	+11,688
TMHW	Tabletop Metal lid, Hardwired, Qty 3	+7,884
TMPI	Tabletop Metal lid, Plug In, Qty 3	+7,149
TWHW	Tabletop Wood lid, Hardwired (veneer tops only), Qty 3	+9,948
TWPI	Tabletop Wood lid, Plug In (veneer tops only), Qty 3	+9,033
UMHW	Undermount, Hardwired, Qty 8	+7,120
UMPI	Undermount, Plug In, Qty 8	+5,152

Step 7. Microphone and/or Grommet Accommodations: Optional

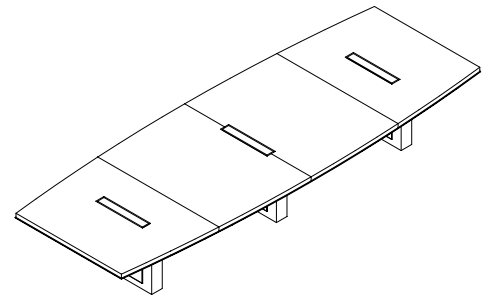
MA __	Microphone hole (factory cut)	Qty __ x 321 each
GM __	2" Grommet Hole (factory cut), liner, lid, in matching metal finish	Qty __ x 423 each

Please consult [page 7](#) for the palette of DatesWeiser finishes. Natural stone, non-standard glass and veneer, and other technology options are available. Please email customerservice@datesweiser.com for a custom quote. Consult technical information on [page 294](#) for construction details and technical information.

Highline Fifty Boat Conference Table

72"x204"/ 16 Person

03B72X204



Starting Price: **\$42,830**

72x204 table, slab veneer Tier 1 top, open painted base with no metal trim, powder coat finish

Pattern Number: 03B72X204

Step 1. Top Material

S	Slab (veneer only)	
V	Veneer layered	
G	Glass layered	
C	Corian layered	
Q	Caesarstone layered	

Step 2. Base Options

ON	Open Base, no metal trim	+ 0
OT	Open Base, with metal trim	+2,937

Step 3. Metal Finish

MC __	Powder Coat	+0
PM01	Polished Chrome	+1,589
PM03	Satin Nickel	+1,589
PM03	Oil Rubbed Bronze	+1,589

Step 4A. Top Finish

T1 __	Veneer Tier 1	+0
T2 __	Veneer Tier 2	+2,167
T3 __	Veneer Tier 3	+6,613
GC01	Clear Glass, back painted, white	+6,493
GC __	Clear Glass, back painted, color	+9,090
GE01	Etched matte Glass, back painted, white	+9,416
GE __	Etched matte Glass, back painted, color	+12,166
CS01	Corian Glacier White	+18,281
QS __	Caesarstone	+42,725

Step 4B. Lower Layer Finish (Layer top only)

SL __	Satin Lacquer	+1,065
T ___	Veneer Tier 1, 2, 3	+1,412
HG __	High Gloss Polyester	+1,554

Step 5. Base Finish

T1 __	Veneer Tier 1	+1,221
T2 __	Veneer Tier 2	+2,922
T3 __	Veneer Tier 3	+5,217
SL __	Satin Lacquer	+0
HG __	High Gloss Polyester	+5,634

Step 6. Power & Connectivity Access: Optional

DRHW	Drawer, Hardwired (layered edge only), Qty 8	+13,656
DRPI	Drawer, Plug In (layered edge only), Qty 8	+11,688
TMHW	Tabletop Metal lid, Hardwired, Qty 3	+7,884
TMPI	Tabletop Metal lid, Plug In, Qty 3	+7,149
TWHW	Tabletop Wood lid, Hardwired (veneer tops only), Qty 3	+9,948
TWPI	Tabletop Wood lid, Plug In (veneer tops only), Qty 3	+9,033
UMHW	Undermount, Hardwired, Qty 8	+7,120
UMPI	Undermount, Plug In, Qty 8	+5,152

Step 7. Microphone and/or Grommet Accommodations: Optional

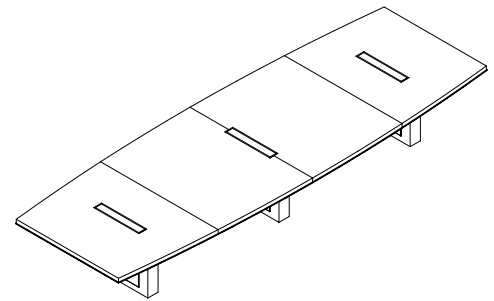
MA __	Microphone hole (factory cut)	Qty __ x 321 each
GM __	2" Grommet Hole (factory cut), liner, lid, in matching metal finish	Qty __ x 423 each

Please consult [page 7](#) for the palette of DatesWeiser finishes. Natural stone, non-standard glass and veneer, and other technology options are available. Please email customerservice@datesweiser.com for a custom quote. Consult technical information on [page 294](#) for construction details and technical information.

Highline Fifty Boat Conference Table

72"x216"/ 18 Person

03B72X216



Starting Price: **\$44,226**

72x216 table, slab veneer Tier 1 top, open painted base with no metal trim, powder coat finish

Pattern Number: 03B72X216

Step 1. Top Material

S	Slab (veneer only)	
V	Veneer layered	
G	Glass layered	
C	Corian layered	
Q	Caesarstone layered	

Step 2. Base Options

ON	Open Base, no metal trim	+ 0
OT	Open Base, with metal trim	+2,937

Step 3. Metal Finish

MC __	Powder Coat	+0
PM01	Polished Chrome	+1,610
PM03	Satin Nickel	+1,610
PM03	Oil Rubbed Bronze	+1,610

Step 4A. Top Finish

T1 __	Veneer Tier 1	+0
T2 __	Veneer Tier 2	+2,376
T3 __	Veneer Tier 3	+7,057
GC01	Clear Glass, back painted, white	+6,566
GC __	Clear Glass, back painted, color	+9,240
GE01	Etched matte Glass, back painted, white	+9,661
GE __	Etched matte Glass, back painted, color	+12,498
CS01	Corian Glacier White	+18,918
QS __	Caesarstone	+44,175

Step 4B. Lower Layer Finish (Layer top only)

SL __	Satin Lacquer	+1,113
T ___	Veneer Tier 1, 2, 3	+1,439
HG __	High Gloss Polyester	+1,584

Step 5. Base Finish

T1 __	Veneer Tier 1	+1,221
T2 __	Veneer Tier 2	+2,922
T3 __	Veneer Tier 3	+5,217
SL __	Satin Lacquer	+0
HG __	High Gloss Polyester	+5,634

Step 6. Power & Connectivity Access: Optional

DRHW	Drawer, Hardwired (layered edge only), Qty 8	+13,656
DRPI	Drawer, Plug In (layered edge only), Qty 8	+11,688
TMHW	Tabletop Metal lid, Hardwired, Qty 3	+7,884
TMPI	Tabletop Metal lid, Plug In, Qty 3	+7,149
TWHW	Tabletop Wood lid, Hardwired (veneer tops only), Qty 3	+9,948
TWPI	Tabletop Wood lid, Plug In (veneer tops only), Qty 3	+9,033
UMHW	Undermount, Hardwired, Qty 8	+7,120
UMPI	Undermount, Plug In, Qty 8	+5,152

Step 7. Microphone and/or Grommet Accommodations: Optional

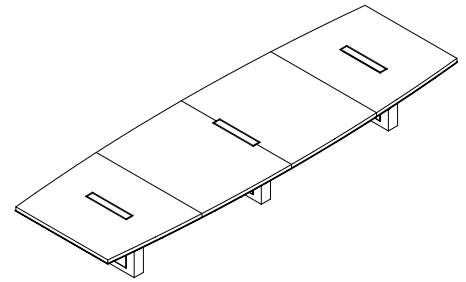
MA __	Microphone hole (factory cut)	Qty __ x 321 each
GM __	2" Grommet Hole (factory cut), liner, lid, in matching metal finish	Qty __ x 423 each

Please consult [page 7](#) for the palette of DatasWeiser finishes. Natural stone, non-standard glass and veneer, and other technology options are available. Please email customerservice@datasweiser.com for a custom quote. Consult technical information on [page 294](#) for construction details and technical information.

Highline Fifty Boat Conference Table

72"x228"/ 18 Person

03B72X228



Starting Price: **\$47,558**

72x228 table, slab veneer Tier 1 top, open painted base with no metal trim, powder coat finish

Pattern Number: 03B72X228

Step 1. Top Material

S	Slab (veneer only)	
V	Veneer layered	
G	Glass layered	
C	Corian layered	
Q	Caesarstone layered	

Step 2. Base Options

ON	Open Base, no metal trim	+ 0
OT	Open Base, with metal trim	+2,937

Step 3. Metal Finish

MC __	Powder Coat	+0
PM01	Polished Chrome	+2,076
PM03	Satin Nickel	+2,076
PM03	Oil Rubbed Bronze	+2,076

Step 4A. Top Finish

T1 __	Veneer Tier 1	+0
T2 __	Veneer Tier 2	+2,440
T3 __	Veneer Tier 3	+7,415
GC01	Clear Glass, back painted, white	+7,049
GC __	Clear Glass, back painted, color	+9,925
GE01	Etched matte Glass, back painted, white	+10,252
GE __	Etched matte Glass, back painted, color	+13,295
CS01	Corian Glacier White	+20,068
QS __	Caesarstone*	+47,118

Step 4B. Lower Layer Finish (Layer top only)

SL __	Satin Lacquer	+1,118
T ___	Veneer Tier 1, 2, 3	+1,519
HG __	High Gloss Polyester	+1,671

Step 5. Base Finish

T1 __	Veneer Tier 1	+1,221
T2 __	Veneer Tier 2	+2,922
T3 __	Veneer Tier 3	+5,217
SL __	Satin Lacquer	+0
HG __	High Gloss Polyester	+5,634

Step 6. Power & Connectivity Access: Optional

DRHW	Drawer, Hardwired (layered edge only), Qty 8	+13,656
DRPI	Drawer, Plug In (layered edge only), Qty 8	+11,688
TMHW	Tabletop Metal lid, Hardwired, Qty 3	+7,884
TMPI	Tabletop Metal lid, Plug In, Qty 3	+7,149
TWHW	Tabletop Wood lid, Hardwired (veneer tops only), Qty 3	+9,948
TWPI	Tabletop Wood lid, Plug In (veneer tops only), Qty 3	+9,033
UMHW	Undermount, Hardwired, Qty 8	+7,120
UMPI	Undermount, Plug In, Qty 8	+5,152

Step 7. Microphone and/or Grommet Accommodations: Optional

MA __	Microphone hole (factory cut)	Qty __ x 321 each
GM __	2" Grommet Hole (factory cut), liner, lid, in matching metal finish	Qty __ x 423 each

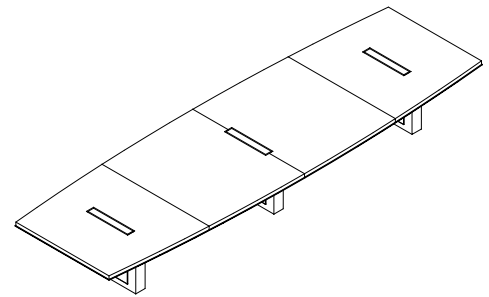
Please consult [page 7](#) for the palette of DatesWeiser finishes. Natural stone, non-standard glass and veneer, and other technology options are available. Please email customerservice@datesweiser.com for a custom quote. Consult technical information on [page 294](#) for construction details and technical information.

*Tables with a Caesarstone finish require a 5-section top.

Highline Fifty Boat Conference Table

72"x240"/ 20 Person

03B72X240



Starting Price: \$48,791

72x240 table, slab veneer Tier 1 top, open painted base with no metal trim, powder coat finish

Pattern Number: 03B72X240

Step 1. Top Material

S	Slab (veneer only)	
V	Veneer layered	
G	Glass layered	
C	Corian layered	
Q	Caesarstone layered	

Step 2. Base Options

ON	Open Base, no metal trim	+ 0
OT	Open Base, with metal trim	+2,937

Step 3. Metal Finish

MC __	Powder Coat	+0
PM01	Polished Chrome	+2,097
PM03	Satin Nickel	+2,097
PM03	Oil Rubbed Bronze	+2,097

Step 4A. Top Finish

T1 __	Veneer Tier 1	+0
T2 __	Veneer Tier 2	+2,627
T3 __	Veneer Tier 3	+7,838
GC01	Clear Glass, back painted, white	+7,044
GC __	Clear Glass, back painted, color	+9,983
GE01	Etched matte Glass, back painted, white	+10,474
GE __	Etched matte Glass, back painted, color	+13,594
CS01	Corian Glacier White	+20,678
QS __	Caesarstone*	+48,465

Step 4B. Lower Layer Finish (Layer top only)

SL __	Satin Lacquer	+1,214
T ___	Veneer Tier 1, 2, 3	+1,584
HG __	High Gloss Polyester	+1,742

Step 5. Base Finish

T1 __	Veneer Tier 1	+1,221
T2 __	Veneer Tier 2	+2,922
T3 __	Veneer Tier 3	+5,217
SL __	Satin Lacquer	+0
HG __	High Gloss Polyester	+5,634

Step 6. Power & Connectivity Access: Optional

DRHW	Drawer, Hardwired (layered edge only), Qty 10	+17,070
DRPI	Drawer, Plug In (layered edge only), Qty 10	+14,610
TMHW	Tabletop Metal lid, Hardwired, Qty 3	+7,884
TMPI	Tabletop Metal lid, Plug In, Qty 3	+7,149
TWHW	Tabletop Wood lid, Hardwired (veneer tops only), Qty 3	+9,948
TWPI	Tabletop Wood lid, Plug In (veneer tops only), Qty 3	+9,033
UMHW	Undermount, Hardwired, Qty 10	+8,900
UMPI	Undermount, Plug In, Qty 10	+6,440

Step 7. Microphone and/or Grommet Accommodations: Optional

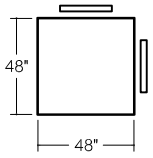
MA __	Microphone hole (factory cut)	Qty __ x 321 each
GM __	2" Grommet Hole (factory cut), liner, lid, in matching metal finish	Qty __ x 423 each

Please consult [page 7](#) for the palette of DatesWeiser finishes. Natural stone, non-standard glass and veneer, and other technology options are available. Please email customerservice@datesweiser.com for a custom quote. Consult technical information on [page 294](#) for construction details and technical information.

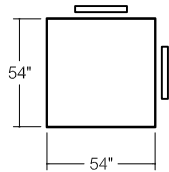
*Tables with a Caesarstone finish require a 5-section top.

Highline Fifty Square and Round Meeting Tables Index

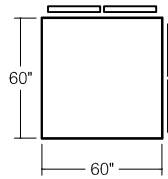
48"-72" width



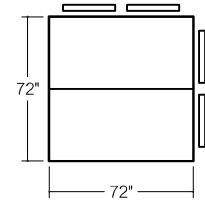
03M48S
4 Person Table



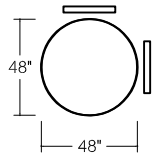
03M54S
4 Person Table



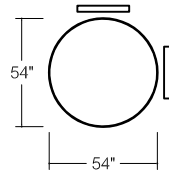
03M60S
8 Person Table



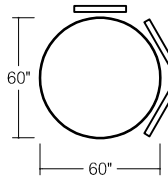
03M72S
8 Person Table



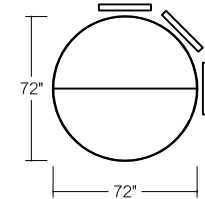
03M48C
4 Person Table



03M54C
4 Person Table



03M60C
6 Person Table

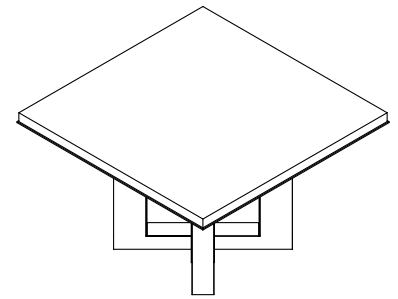


03M72C
8 Person Table

Highline Fifty Square Meeting Table

48"x48"/ 4 Person

03M48S



Starting Price: **\$12,337**

48x48 table, slab veneer Tier 1 top, open painted base with no metal trim, powder coat finish

Pattern Number: 03M48S

Step 1. Top Material

S	Slab (veneer only)
V	Veneer layered
G	Glass layered
C	Corian layered
Q	Caesarstone layered

Step 2. Base Options

ON	Open Base, no metal trim	+ 0
OT	Open Base, with metal trim	+2,809

Step 3. Metal Finish

MC __	Powder Coat	+0
PM01	Polished Chrome	+268
PM02	Satin Nickel	+268
PM03	Oil Rubbed Bronze	+268

Step 4A. Top Finish

T1 __	Veneer Tier 1	+0
T2 __	Veneer Tier 2	+364
T3 __	Veneer Tier 3	+1,065
GC01	Clear Glass, back painted, white	+1,376
GC __	Clear Glass, back painted, color	+2,097
GE01	Etched matte Glass, back painted, white	+1,691
GE __	Etched matte Glass, back painted, color	+2,429
CS01	Corian Glacier White	+2,664
QS __	Caesarstone	+8,665

Step 4B. Lower Layer Finish (Layer top only)

SL __	Satin Lacquer	+198
T ___	Veneer Tier 1, 2, 3	+300
HG __	High Gloss Polyester	+300

Step 5. Base Finish

T1 __	Veneer Tier 1	+1,321
T2 __	Veneer Tier 2	+2,274
T3 __	Veneer Tier 3	+4,205
SL __	Satin Lacquer	+0
HG __	High Gloss Polyester	+4,541

Step 6. Power & Connectivity Access: Optional

DRHW	Drawer, Hardwired (layered edge only), Qty 4	+6,828
DRPI	Drawer, Plug In (layered edge only), Qty 4	+5,844
HMHW	Hatchbox, Metal lid, Hardwired, Qty 1	+3,055
HMPI	Hatchbox, Metal lid, Plug In, Qty 1	+2,381
HWHW	Hatchbox, Wood lid, Hardwired, Qty 1	+3,849
HWPI	Hatchbox, Wood lid, Plug In, Qty 1	+3,000
UMHW	Undermount, Hardwired, Qty 4	+3,560
UMPI	Undermount, Plug In, Qty 4	+2,576

Step 7. Microphone and/or Grommet Accommodations: Optional

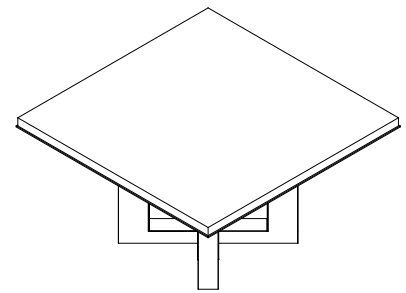
MA __	Microphone hole (factory cut)	Qty __ x 321 each
GM __	2" Grommet hole (factory cut), liner, lid, in matching metal finish	Qty __ x 423 each

Please consult [page 7](#) for the palette of DatesWeiser finishes. Natural stone, non-standard glass and veneer, and other technology options are available. Please email customerservice@datesweiser.com for a custom quote. Consult technical information on [page 304](#) for construction details and technical information.

Highline Fifty Square Meeting Table

54"x54"/ 4 Person

03M54S



Starting Price: **\$13,297**

54x54 table, slab veneer Tier 1 top, open painted base with no metal trim, powder coat finish

Pattern Number: 03M54S

Step 1. Top Material

S	Slab (veneer only)	
V	Veneer layered	
G	Glass layered	
C	Corian layered	
Q	Caesarstone layered	

Step 2. Base Options

ON	Open Base, no metal trim	+ 0
OT	Open Base, with metal trim	+2,809

Step 3. Metal Finish

MC __	Powder Coat	+0
PM01	Polished Chrome	+268
PM02	Satin Nickel	+268
PM03	Oil Rubbed Bronze	+268

Step 4A. Top Finish

T1 __	Veneer Tier 1	+0
T2 __	Veneer Tier 2	+444
T3 __	Veneer Tier 3	+1,321
GC01	Clear Glass, back painted, white	+1,343
GC __	Clear Glass, back painted, color	+2,113
GE01	Etched matte Glass, back painted, white	+1,668
GE __	Etched matte Glass, back painted, color	+2,456
CS01	Corian Glacier White	+2,755
QS __	Caesarstone	+9,176

Step 4B. Lower Layer Finish (Layer top only)

SL __	Satin Lacquer	+219
T ___	Veneer Tier 1, 2, 3	+358
HG __	High Gloss Polyester	+358

Step 5. Base Finish

T1 __	Veneer Tier 1	+1,321
T2 __	Veneer Tier 2	+2,274
T3 __	Veneer Tier 3	+4,205
SL __	Satin Lacquer	+0
HG __	High Gloss Polyester	+4,541

Step 6. Power & Connectivity Access: Optional

DRHW	Drawer, Hardwired (layered edge only), Qty 4	+6,828
DRPI	Drawer, Plug In (layered edge only), Qty 4	+5,844
HMHW	Hatchbox, Metal lid, Hardwired, Qty 1	+3,055
HMPI	Hatchbox, Metal lid, Plug In, Qty 1	+2,381
HWHW	Hatchbox, Wood lid, Hardwired, Qty 1	+3,849
HWPI	Hatchbox, Wood lid, Plug In, Qty 1	+3,000
UMHW	Undermount, Hardwired, Qty 4	+3,560
UMPI	Undermount, Plug In, Qty 4	+2,576

Step 7. Microphone and/or Grommet Accommodations: Optional

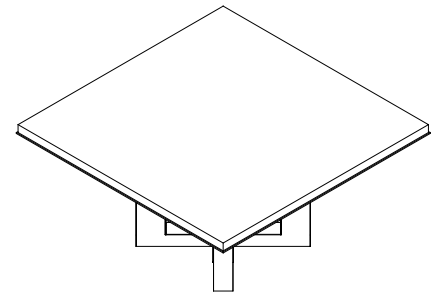
MA __	Microphone hole (factory cut)	Qty __ x 321 each
GM __	2" Grommet hole (factory cut), liner, lid, in matching metal finish	Qty __ x 423 each

Please consult [page 7](#) for the palette of DatesWeiser finishes. Natural stone, non-standard glass and veneer, and other technology options are available. Please email customerservice@datesweiser.com for a custom quote. Consult technical information on [page 304](#) for construction details and technical information.

Highline Fifty Square Meeting Table

60"x60"/ 8 Person

03M60S



Starting Price: **\$14,161**

60x60 table, slab veneer Tier 1 top, open painted base with no metal trim, powder coat finish

Pattern Number: 03M60S

Step 1. Top Material

S	Slab (veneer only)
V	Veneer layered
G	Glass layered
C	Corian layered
Q	Caesarstone layered

Step 2. Base Options

ON	Open Base, no metal trim	+ 0
OT	Open Base, with metal trim	+ 2,809

Step 3. Metal Finish

MC __	Powder Coat	+0
PM01	Polished Chrome	+268
PM02	Satin Nickel	+268
PM03	Oil Rubbed Bronze	+268

Step 4A. Top Finish

T1 __	Veneer Tier 1	+0
T2 __	Veneer Tier 2	+546
T3 __	Veneer Tier 3	+1,648
GC01	Clear Glass, back painted, white	+1,513
GC __	Clear Glass, back painted, color	+2,338
GE01	Etched matte Glass, back painted, white	+1,726
GE __	Etched matte Glass, back painted, color	+2,563
CS01	Corian Glacier White	+2,857
QS __	Caesarstone*	+9,664

Step 4B. Lower Layer Finish (Layer top only)

SL __	Satin Lacquer	+294
T __	Veneer Tier 1, 2, 3	+428
HG __	High Gloss Polyester	+428

Step 5. Base Finish

T1 __	Veneer Tier 1	+1,461
T2 __	Veneer Tier 2	+2,525
T3 __	Veneer Tier 3	+4,655
SL __	Satin Lacquer	+0
HG __	High Gloss Polyester	+5,027

Step 6. Power & Connectivity Access: Optional

DRHW	Drawer, Hardwired (layered edge only), Qty 4	+6,828
DRPI	Drawer, Plug In (layered edge only), Qty 4	+5,844
HMHW	Hatchbox, Metal lid, Hardwired, Qty 1	+3,055
HMPI	Hatchbox, Metal lid, Plug In, Qty 1	+2,381
HWHW	Hatchbox, Wood lid, Hardwired, Qty 1	+3,849
HWPI	Hatchbox, Wood lid, Plug In, Qty 1	+3,000
UMHW	Undermount, Hardwired, Qty 4	+3,560
UMPI	Undermount, Plug In, Qty 4	+2,576

Step 7. Microphone and/or Grommet Accommodations: Optional

MA __	Microphone hole (factory cut)	Qty __ x 321 each
GM __	2" Grommet hole (factory cut), liner, lid, in matching metal finish	Qty __ x 423 each

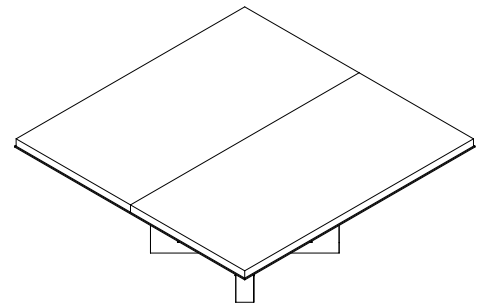
Please consult [page 7](#) for the palette of DatesWeiser finishes. Natural stone, non-standard glass and veneer, and other technology options are available. Please email customerservice@datesweiser.com for a custom quote. Consult technical information on [page 304](#) for construction details and technical information.

*Tables with a Caesarstone finish require a 2-section top.

Highline Fifty Square Meeting Table

72"x72"/ 8 Person

03M72S



Starting Price: **\$16,957**

72x72 table, slab veneer Tier 1 top, open painted base with no metal trim, powder coat finish

Pattern Number: 03M72S

Step 1. Top Material

S	Slab (veneer only)
V	Veneer layered
G	Glass layered
C	Corian layered
Q	Caesarstone layered

Step 2. Base Options

ON	Open Base, no metal trim	+ 0
OT	Open Base, with metal trim	+ 2,809

Step 3. Metal Finish

MC __	Powder Coat	+0
PM01	Polished Chrome	+268
PM02	Satin Nickel	+268
PM03	Oil Rubbed Bronze	+268

Step 4A. Top Finish

T1 __	Veneer Tier 1	+0
T2 __	Veneer Tier 2	+765
T3 __	Veneer Tier 3	+2,349
GC01	Clear Glass, back painted, white	+1,404
GC __	Clear Glass, back painted, color	+2,370
GE01	Etched matte Glass, back painted, white	+1,618
GE __	Etched matte Glass, back painted, color	+2,595
CS01	Corian Glacier White	+2,927
QS __	Caesarstone	+10,881

Step 4B. Lower Layer Finish (Layer top only)

SL __	Satin Lacquer	+391
T ___	Veneer Tier 1, 2, 3	+556
HG __	High Gloss Polyester	+556

Step 5. Base Finish

T1 __	Veneer Tier 1	+1,461
T2 __	Veneer Tier 2	+2,525
T3 __	Veneer Tier 3	+4,655
SL __	Satin Lacquer	+0
HG __	High Gloss Polyester	+5,027

Step 6. Power & Connectivity Access: Optional

DRHW	Drawer, Hardwired (layered edge only), Qty 4	+6,828
DRPI	Drawer, Plug In (layered edge only), Qty 4	+5,844
HMHW	Hatchbox, Metal lid, Hardwired, Qty 1	+3,055
HMPI	Hatchbox, Metal lid, Plug In, Qty 1	+2,381
HWHW	Hatchbox, Wood lid, Hardwired, Qty 1	+3,849
HWPI	Hatchbox, Wood lid, Plug In, Qty 1	+3,000
UMHW	Undermount, Hardwired, Qty 4	+3,560
UMPI	Undermount, Plug In, Qty 4	+2,576

Step 7. Microphone and/or Grommet Accommodations: Optional

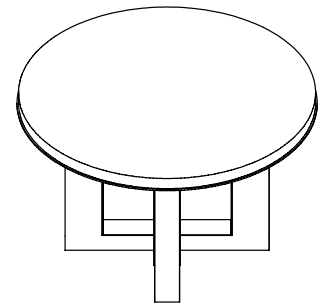
MA __	Microphone hole (factory cut)	Qty __ x 321 each
GM __	2" Grommet hole (factory cut), liner, lid, in matching metal finish	Qty __ x 423 each

Please consult [page 7](#) for the palette of DatesWeiser finishes. Natural stone, non-standard glass and veneer, and other technology options are available. Please email customerservice@datesweiser.com for a custom quote. Consult technical information on [page 304](#) for construction details and technical information.

Highline Fifty Round Meeting Table

48"/ 4 Person

03M48C



Starting Price: **\$14,548**

48" table, slab veneer Tier 1 top, open painted base with no metal trim, powder coat finish

Pattern Number: 03M48C

Step 1. Top Material

S	Slab (veneer only)	
V	Veneer layered	
G	Glass layered	
C	Corian layered	
Q	Caesarstone layered	

Step 2. Base Options

ON	Open Base, no metal trim	+ 0
OT	Open Base, with metal trim	+2,809

Step 3. Metal Finish

MC __	Powder Coat	+0
PM01	Polished Chrome	+1,252
PM03	Satin Nickel	+1,252
PM03	Oil Rubbed Bronze	+1,252

Step 4A. Top Finish

T1 __	Veneer Tier 1	+0
T2 __	Veneer Tier 2	+342
T3 __	Veneer Tier 3	+1,043
GC01	Clear Glass, back painted, white	+2,154
GC __	Clear Glass, back painted, color	+3,033
GE01	Etched matte Glass, back painted, white	+2,621
GE __	Etched matte Glass, back painted, color	+3,525
CS01	Corian Glacier White	+5,195
QS __	Caesarstone	+13,091

Step 4B. Lower Layer Finish (Layer top only)

SL __	Satin Lacquer	+198
T ___	Veneer Tier 1, 2, 3	+305
HG __	High Gloss Polyester	+305

Step 5. Base Finish

T1 __	Veneer Tier 1	+1,321
T2 __	Veneer Tier 2	+2,274
T3 __	Veneer Tier 3	+4,205
SL __	Satin Lacquer	+0
HG __	High Gloss Polyester	+4,541

Step 6. Power & Connectivity Access: Optional

DRHW	Drawer, Hardwired (layered edge only), Qty 4	+6,828
DRPI	Drawer, Plug In (layered edge only), Qty 4	+5,844
HMHW	Tabletop, Metal lid, Hardwired, Qty 1	+3,055
HMPI	Tabletop, Metal lid, Plug In, Qty 1	+2,381
HWHW	Tabletop, Wood lid, Hardwired, Qty 1	+3,849
HWPI	Tabletop, Wood lid, Plug In, Qty 1	+3,000
UMHW	Undermount, Hardwired, Qty 4	+3,560
UMPI	Undermount, Plug In, Qty 4	+2,576

Step 5. Microphone and/or Grommet Accommodations: Optional

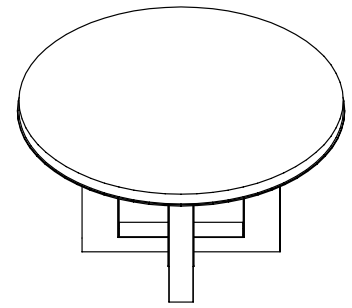
MA __	Microphone hole (factory cut)	Qty __ x 321 each
GM __	2" Grommet hole (factory cut), liner, lid, in matching metal finish	Qty __ x 423 each

Please consult [page 7](#) for the palette of DatesWeiser finishes. Natural stone, non-standard glass and veneer, and other technology options are available. Please email customerservice@datesweiser.com for a custom quote. Consult technical information on [page 304](#) for construction details and technical information.

Highline Fifty Round Meeting Table

54"/ 4 Person

03M54C



Starting Price: \$16,126

54" table, slab veneer Tier 1 top, open painted base with no metal trim, powder coat finish

Pattern Number: 03M54C

Step 1. Top Material

S	Slab (veneer only)
V	Veneer layered
G	Glass layered
C	Corian layered
Q	Caesarstone layered

Step 2. Base Options

ON	Open Base, no metal trim	+ 0
OT	Open Base, with metal trim	+2,809

Step 3. Metal Finish

MC __	Powder Coat	+0
PM01	Polished Chrome	+1,525
PM03	Satin Nickel	+1,525
PM03	Oil Rubbed Bronze	+1,525

Step 4A. Top Finish

T1 __	Veneer Tier 1	+0
T2 __	Veneer Tier 2	+439
T3 __	Veneer Tier 3	+1,284
GC01	Clear Glass, back painted, white	+2,237
GC __	Clear Glass, back painted, color	+3,205
GE01	Etched matte Glass, back painted, white	+2,868
GE __	Etched matte Glass, back painted, color	+3,868
CS01	Corian Glacier White	+5,981
QS __	Caesarstone	+14,824

Step 4B. Lower Layer Finish (Layer top only)

SL __	Satin Lacquer	+246
T ___	Veneer Tier 1, 2, 3	+385
HG __	High Gloss Polyester	+385

Step 5. Base Finish

T1 __	Veneer Tier 1	+1,321
T2 __	Veneer Tier 2	+2,274
T3 __	Veneer Tier 3	+4,205
SL __	Satin Lacquer	+0
HG __	High Gloss Polyester	+4,541

Step 6. Power & Connectivity Access: Optional

DRHW	Drawer, Hardwired (layered edge only), Qty 4	+6,828
DRPI	Drawer, Plug In (layered edge only), Qty 4	+5,844
HMHW	Tabletop, Metal lid, Hardwired, Qty 1	+3,055
HMPI	Tabletop, Metal lid, Plug In, Qty 1	+2,381
HWHW	Tabletop, Wood lid, Hardwired, Qty 1	+3,849
HWPI	Tabletop, Wood lid, Plug In, Qty 1	+3,000
UMHW	Undermount, Hardwired, Qty 4	+3,560
UMPI	Undermount, Plug In, Qty 4	+2,576

Step 5. Microphone and/or Grommet Accommodations: Optional

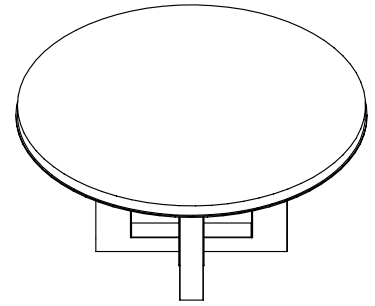
MA __	Microphone hole (factory cut)	Qty __ x 321 each
GM __	2" Grommet hole (factory cut), liner, lid, in matching metal finish	Qty __ x 423 each

Please consult [page 7](#) for the palette of DatesWeiser finishes. Natural stone, non-standard glass and veneer, and other technology options are available. Please email customerservice@datesweiser.com for a custom quote. Consult technical information on [page 304](#) for construction details and technical information.

Highline Fifty Round Meeting Table

60"/ 6 Person

03M60C



Starting Price: **\$16,935**

60" table, slab veneer Tier 1 top, open painted base with no metal trim, powder coat finish

Pattern Number: 03M60C

Step 1. Top Material

S	Slab (veneer only)	
V	Veneer layered	
G	Glass layered	
C	Corian layered	
Q	Caesarstone layered	

Step 2. Base Options

ON	Open Base, no metal trim	+ 0
OT	Open Base, with metal trim	+2,809

Step 3. Metal Finish

MC __	Powder Coat	+0
PM01	Polished Chrome	+1,578
PM03	Satin Nickel	+1,578
PM03	Oil Rubbed Bronze	+1,578

Step 4A. Top Finish

T1 __	Veneer Tier 1	+0
T2 __	Veneer Tier 2	+508
T3 __	Veneer Tier 3	+1,589
GC01	Clear Glass, back painted, white	+2,238
GC __	Clear Glass, back painted, color	+3,247
GE01	Etched matte Glass, back painted, white	+2,935
GE __	Etched matte Glass, back painted, color	+3,980
CS01	Corian Glacier White	+6,564
QS __	Caesarstone*	+15,964

Step 4B. Lower Layer Finish (Layer top only)

SL __	Satin Lacquer	+284
T ___	Veneer Tier 1, 2, 3	+439
HG __	High Gloss Polyester	+439

Step 5. Base Finish

T1 __	Veneer Tier 1	+1,461
T2 __	Veneer Tier 2	+2,525
T3 __	Veneer Tier 3	+4,655
SL __	Satin Lacquer	+0
HG __	High Gloss Polyester	+5,027

Step 6. Power & Connectivity Access: Optional

DRHW	Drawer, Hardwired (layered edge only), Qty 4	+6,828
DRPI	Drawer, Plug In (layered edge only), Qty 4	+5,844
HMHW	Tabletop, Metal lid, Hardwired, Qty 1	+3,055
HMPI	Tabletop, Metal lid, Plug In, Qty 1	+2,381
HWHW	Tabletop, Wood lid, Hardwired, Qty 1	+3,849
HWPI	Tabletop, Wood lid, Plug In, Qty 1	+3,000
UMHW	Undermount, Hardwired, Qty 4	+4,450
UMPI	Undermount, Plug In, Qty 4	+3,220

Step 5. Microphone and/or Grommet Accommodations: Optional

MA __	Microphone hole (factory cut)	Qty __ x 321 each
GM __	2" Grommet hole (factory cut), liner, lid, in matching metal finish	Qty __ x 423 each

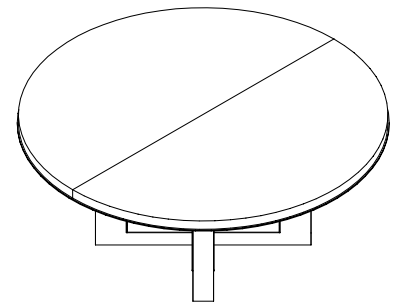
Please consult [page 7](#) for the palette of DatesWeiser finishes. Natural stone, non-standard glass and veneer, and other technology options are available. Please email customerservice@datesweiser.com for a custom quote. Consult technical information on [page 304](#) for construction details and technical information.

*Tables with a Caesarstone finish require a 2-section top.

Highline Fifty Round Meeting Table

72"/ 8 Person

03M72C



Starting Price: **\$19,841**

72" table, slab veneer Tier 1 top, open painted base with no metal trim, powder coat finish

Pattern Number: 03M72C

Step 1. Top Material

S	Slab (veneer only)
V	Veneer layered
G	Glass layered
C	Corian layered
Q	Caesarstone layered

Step 2. Base Options

ON	Open Base, no metal trim	+ 0
OT	Open Base, with metal trim	+2,809

Step 3. Metal Finish

MC __	Powder Coat	+0
PM01	Polished Chrome	+1,605
PM03	Satin Nickel	+1,605
PM03	Oil Rubbed Bronze	+1,605

Step 4A. Top Finish

T1 __	Veneer Tier 1	+0
T2 __	Veneer Tier 2	+797
T3 __	Veneer Tier 3	+2,338
GC01	Clear Glass, back painted, white	+2,154
GC __	Clear Glass, back painted, color	+3,312
GE01	Etched matte Glass, back painted, white	+2,834
GE __	Etched matte Glass, back painted, color	+4,029
CS01	Corian Glacier White	+7,586
QS __	Caesarstone	+18,557

Step 4B. Lower Layer Finish (Layer top only)

SL __	Satin Lacquer	+348
T ___	Veneer Tier 1, 2, 3	+524
HG __	High Gloss Polyester	+524

Step 5. Base Finish

T1 __	Veneer Tier 1	+1,461
T2 __	Veneer Tier 2	+2,525
T3 __	Veneer Tier 3	+4,655
SL __	Satin Lacquer	+0
HG __	High Gloss Polyester	+5,027

Step 6. Power & Connectivity Access: Optional

DRHW	Drawer, Hardwired (layered edge only), Qty 4	+6,828
DRPI	Drawer, Plug In (layered edge only), Qty 4	+5,844
HMHW	Tabletop, Metal lid, Hardwired, Qty 1	+3,055
HMPI	Tabletop, Metal lid, Plug In, Qty 1	+2,381
HWHW	Tabletop, Wood lid, Hardwired, Qty 1	+3,849
HWPI	Tabletop, Wood lid, Plug In, Qty 2	+3,000
UMHW	Undermount, Hardwired, Qty 4	+5,340
UMPI	Undermount, Plug In, Qty 4	+3,864

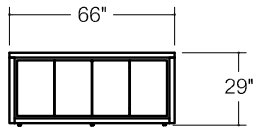
Step 5. Microphone and/or Grommet Accommodations: Optional

MA __	Microphone hole (factory cut)	Qty __ x 321 each
GM __	2" Grommet hole (factory cut), liner, lid, in matching metal finish	Qty __ x 423 each

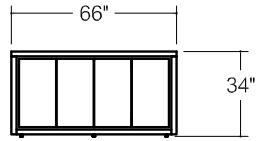
Please consult [page 7](#) for the palette of DatesWeiser finishes. Natural stone, non-standard glass and veneer, and other technology options are available. Please email customerservice@datesweiser.com for a custom quote. Consult technical information on [page 304](#) for construction details and technical information.

Highline Fifty Credenzas Index

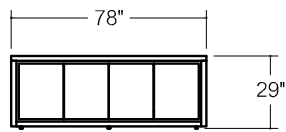
66"-114" width



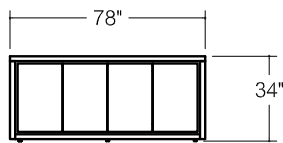
03C66C



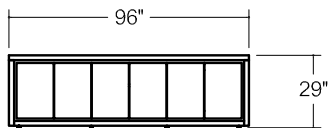
03C66B



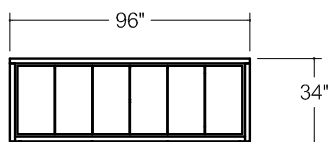
03C78C



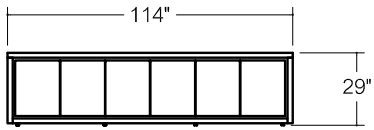
03C78B



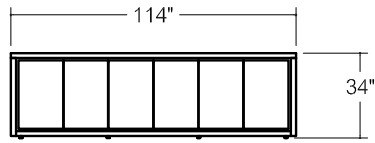
03C96C



03C96B



03C114C

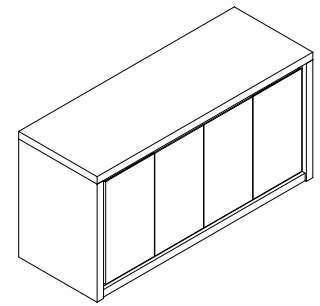


03C114B

Highline Fifty Credenza

66" Long, 34" Buffet Height

03C66B



Starting Price: **\$11,508**

66" credenza, 34" high, no top, all doors, satin lacquer case and doors, matching interior finish reveal

Pattern Number: 03C66B

Step 1. Top

NT	No top
FT	Full Top

Step 2. Top Finish (not applicable in 'no top' configuration)

GC00	Clear Glass	+2,008
GC01	Clear Glass, back painted, white	+2,114
GC __	Clear Glass, back painted, color	+2,349
GE01	Etched matte Glass, back painted, white	+2,288
GE __	Etched matte Glass, back painted, color	+2,541
CS01	Corian Glacier White	+2,648
QS __	Caesarstone	+3,708

Step 3. Shell Finish

SL __	Satin Lacquer	+0
T1	Veneer Tier 1	+1,744
T2	Veneer Tier 2	+3,017
T3	Veneer Tier 3	+5,548
HG __	High Gloss Polyester	+5,837

Step 4. Reveal Finish

MI __	Match Interior	+0
MC __	Powder Coat	+563
PM01	Polished Chrome	+563
PM02	Satin Nickel	+563
PM03	Oil Rubbed Bronze	+563

Step 5. Interior Finish

SL __	Satin Lacquer	+0
T1 __	Veneer Tier 1	+1,059
T2 __	Veneer Tier 2	+1,273
T3 __	Veneer Tier 3	+4,029
HG __	High Gloss Polyester	+4,330

Step 6. Door/Drawer Face Finish

SL __	Satin Lacquer	+0
T1 __	Veneer Tier 1	+519
T2 __	Veneer Tier 2	+1,011
T3 __	Veneer Tier 3	+1,985
HG __	High Gloss Polyester	+2,194

Step 7. Configuration

Specify Left to Right: Select single or double space components for 4 available positions. When any double space component is selected, insert code in desired starting position and XXXX in subsequent position.

03 ____ B	Position 1
03 ____ B	Position 2
03 ____ B	Position 3
03 ____ B	Position 4

DOUBLE SPACE COMPONENTS

03DR30B	Doors w/adjustable shelf	0
03FF30B	Lateral File over Lateral File	332
03OF30B	Open over Lateral File	310
03DD30B	Drawer over Doors	407
03TP30B	Trash Pullout	1,049
03AV30B	2 Door AV	375

SINGLE SPACE COMPONENTS

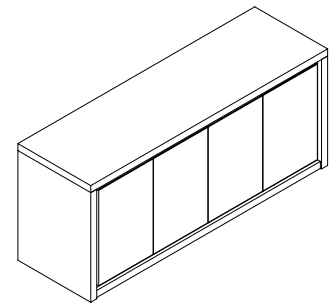
03DR15B	Door w/adjustable shelf	0
03FF15B	File over File	166
03OF15B	Open over File	155
03DD15B	Drawer over Door	203
03TP15B	Trash Pullout	524

Please consult [page 7](#) for the palette of DatesWeiser finishes. Natural stone, non-standard glass and veneer, and other technology options are available. Please email customerservice@datesweiser.com for a custom quote. Consult technical information on [page 313](#) for construction details and technical information.

Highline Fifty Credenza

78" Long, 34" Buffet Height

03C78B



Starting Price: **\$12,430**

78" credenza, 34" high, no top, all doors, satin lacquer case and doors, matching interior finish reveal

Pattern Number: 03C78B

Step 1. Top

NT	No top
FT	Full Top

Step 2. Top Finish (not applicable in 'no top' configuration)

GC00	Clear Glass	+2,013
GC01	Clear Glass, back painted, white	+2,119
GC __	Clear Glass, back painted, color	+2,354
GE01	Etched matte Glass, back painted, white	+2,292
GE __	Etched matte Glass, back painted, color	+2,547
CS01	Corian Glacier White	+2,654
QS __	Caesarstone	+3,715

Step 3. Shell Finish

SL __	Satin Lacquer	+0
T1	Veneer Tier 1	+1,846
T2	Veneer Tier 2	+3,242
T3	Veneer Tier 3	+6,040
HG __	High Gloss Polyester	+6,393

Step 4. Reveal Finish

MI __	Match Interior	+0
MC __	Powder Coat	+563
PM01	Polished Chrome	+563
PM02	Satin Nickel	+563
PM03	Oil Rubbed Bronze	+563

Step 5. Interior Finish

SL __	Satin Lacquer	+0
T1 __	Veneer Tier 1	+1,188
T2 __	Veneer Tier 2	+2,338
T3 __	Veneer Tier 3	+4,612
HG __	High Gloss Polyester	+4,957

Step 6. Door/Drawer Face Finish

SL __	Satin Lacquer	+0
T1 __	Veneer Tier 1	+519
T2 __	Veneer Tier 2	+1,011
T3 __	Veneer Tier 3	+1,985
HG __	High Gloss Polyester	+2,194

Step 7. Configuration

Specify Left to Right: Select single or double space components for 4 available positions. When any double space component is selected, insert code in desired starting position and XXXX in subsequent position.

03 ____ B	Position 1
03 ____ B	Position 2
03 ____ B	Position 3
03 ____ B	Position 4

DOUBLE SPACE COMPONENTS

03DR36B	Doors w/adjustable shelf	0
03FF36B	Lateral File over Lateral File	342
03OF36B	Open over Lateral File	321
03DD36B	Drawer over Doors	417
03TP36B	Trash Pullout	1,059
03AV36B	2 Door AV	449

SINGLE SPACE COMPONENTS

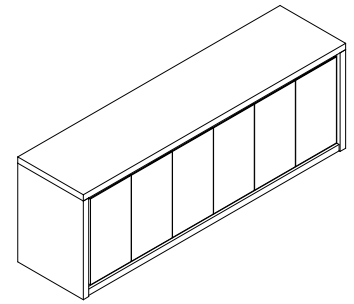
03DR18B	Door w/adjustable shelf	0
03FF18B	File over File	171
03OF85B	Open over File	161
03DD18B	Drawer over Door	209
03TP18B	Trash Pullout	530

Please consult [page 7](#) for the palette of DatesWeiser finishes. Natural stone, non-standard glass and veneer, and other technology options are available. Please email customerservice@datesweiser.com for a custom quote. Consult technical information on [page 313](#) for construction details and technical information.

Highline Fifty Credenza

96" Long, 34" Buffet Height

03C96B



Starting Price: **\$14,912**

96" credenza, 34" high, no top, all doors, satin lacquer case and doors, matching interior finish reveal

Pattern Number: 03C96B

Step 1. Top

NT	No top
FT	Full Top

Step 2. Top Finish (not applicable in 'no top' configuration)

GC00	Clear Glass	+2,500
GC01	Clear Glass, back painted, white	+2,615
GC __	Clear Glass, back painted, color	+2,905
GE01	Etched matte Glass, back painted, white	+2,837
GE __	Etched matte Glass, back painted, color	+3,151
CS01	Corian Glacier White	+3,338
QS __	Caesarstone	+4,674

Step 3. Shell Finish

SL __	Satin Lacquer	+0
T1	Veneer Tier 1	+2,033
T2	Veneer Tier 2	+3,617
T3	Veneer Tier 3	+6,768
HG __	High Gloss Polyester	+7,249

Step 4. Reveal Finish

MI __	Match Interior	+0
MC __	Powder Coat	+563
PM01	Polished Chrome	+563
PM02	Satin Nickel	+563
PM03	Oil Rubbed Bronze	+563

Step 5. Interior Finish

SL __	Satin Lacquer	+0
T1 __	Veneer Tier 1	+1,519
T2 __	Veneer Tier 2	+2,964
T3 __	Veneer Tier 3	+5,832
HG __	High Gloss Polyester	+6,269

Step 6. Door/Drawer Face Finish

SL __	Satin Lacquer	+0
T1 __	Veneer Tier 1	+749
T2 __	Veneer Tier 2	+1,461
T3 __	Veneer Tier 3	+2,873
HG __	High Gloss Polyester	+3,568

Step 7. Configuration

Specify Left to Right: Select single or double space components for 6 available positions. When any double space component is selected, insert code in desired starting position and XXXX in subsequent position.

03 ____ B	Position 1
03 ____ B	Position 2
03 ____ B	Position 3
03 ____ B	Position 4
03 ____ B	Position 5
03 ____ B	Position 6

DOUBLE SPACE COMPONENTS

03DR30B	Doors w/adjustable shelf	0
03FF30B	Lateral File over Lateral File	332
03OF30B	Open over Lateral File	310
03DD30B	Drawer over Doors	407
03TP30B	Trash Pullout	1,049
03AV30B	2 Door AV	375

SINGLE SPACE COMPONENTS

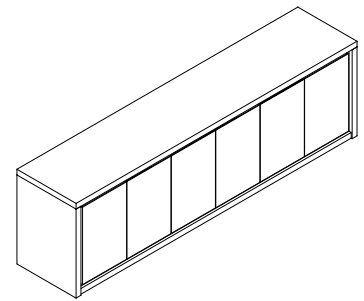
03DR15B	Door w/adjustable shelf	0
03FF15B	File over File	166
03OF15B	Open over File	155
03DD15B	Drawer over Door	203
03TP15B	Trash Pullout	524

Please consult [page 7](#) for the palette of DatesWeiser finishes. Natural stone, non-standard glass and veneer, and other technology options are available. Please email customerservice@datesweiser.com for a custom quote. Consult technical information on [page 313](#) for construction details and technical information.

Highline Fifty Credenza

114" Long, 34" Buffet Height

03C114B



Starting Price: **\$16,258**

114" credenza, 34" high, no top, all doors, satin lacquer case and doors, matching interior finish reveal

Pattern Number: 03C114B

Step 1. Top

NT	No top
FT	Full Top

Step 2. Top Finish (not applicable in 'no top' configuration)

GC00	Clear Glass	+3,838
GC01	Clear Glass, back painted, white	+3,963
GC__	Clear Glass, back painted, color	+4,403
GE01	Etched matte Glass, back painted, white	+4,247
GE__	Etched matte Glass, back painted, color	+4,719
CS01	Corian Glacier White	+4,901
QS__	Caesarstone	+6,681

Step 3. Shell Finish

SL__	Satin Lacquer	+0
T1	Veneer Tier 1	+2,183
T2	Veneer Tier 2	+3,943
T3	Veneer Tier 3	+7,474
HG__	High Gloss Polyester	+8,111

Step 4. Reveal Finish

ML__	Match Interior	+0
MC__	Powder Coat	+648
PM01	Polished Chrome	+648
PM02	Satin Nickel	+648
PM03	Oil Rubbed Bronze	+648

Step 5. Interior Finish

SL__	Satin Lacquer	+0
T1__	Veneer Tier 1	+1,621
T2__	Veneer Tier 2	+3,306
T3__	Veneer Tier 3	+6,623
HG__	High Gloss Polyester	+7,120

Step 6. Door/Drawer Face Finish

SL__	Satin Lacquer	+0
T1__	Veneer Tier 1	+797
T2__	Veneer Tier 2	+1,632
T3__	Veneer Tier 3	+3,264
HG__	High Gloss Polyester	+3,831

Step 7. Configuration

Specify Left to Right: Select single or double space components for 6 available positions. When any double space component is selected, insert code in desired starting position and XXXX in subsequent position.

03_____B	Position 1
03_____B	Position 2
03_____B	Position 3
03_____B	Position 4
03_____B	Position 5
03_____B	Position 6

DOUBLE SPACE COMPONENTS

03DR36B	Doors w/adjustable shelf	0
03FF36B	Lateral File over Lateral File	342
03OF36B	Open over Lateral File	321
03DD36B	Drawer over Doors	417
03TP36B	Trash Pullout	1,059
03AV36B	2 Door AV	449

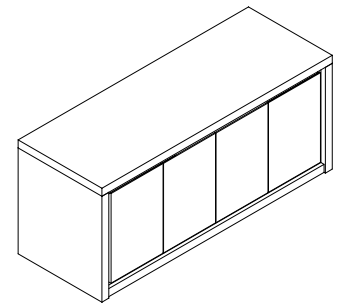
SINGLE SPACE COMPONENTS

03DR18B	Door w/adjustable shelf	0
03FF18B	File over File	171
03OF85B	Open over File	161
03DD18B	Drawer over Door	209
03TP18B	Trash Pullout	530

Please consult [page 7](#) for the palette of DatesWeiser finishes. Natural stone, non-standard glass and veneer, and other technology options are available. Please email customerservice@datesweiser.com for a custom quote. Consult technical information on [page 313](#) for construction details and technical information.

Highline Fifty Credenza

66" Long, 29" Conference Height
03C66C



Starting Price: **\$11,508**

66" credenza, 29" high, no top, all doors, satin lacquer case and doors, matching interior finish reveal

Pattern Number: 03C66C

Step 1. Top

NT	No top
FT	Full Top

Step 2. Top Finish (not applicable in 'no top' configuration)

GC00	Clear Glass	+2,008
GC01	Clear Glass, back painted, white	+2,114
GC __	Clear Glass, back painted, color	+2,349
GE01	Etched matte Glass, back painted, white	+2,288
GE __	Etched matte Glass, back painted, color	+2,541
CS01	Corian Glacier White	+2,648
QS __	Caesarstone	+3,708

Step 3. Shell Finish

SL __	Satin Lacquer	+0
T1	Veneer Tier 1	+1,744
T2	Veneer Tier 2	+3,017
T3	Veneer Tier 3	+5,548
HG __	High Gloss Polyester	+5,837

Step 4. Reveal Finish

MI __	Match Interior	+0
MC __	Powder Coat	+563
PM01	Polished Chrome	+563
PM02	Satin Nickel	+563
PM03	Oil Rubbed Bronze	+563

Step 5. Interior Finish

SL __	Satin Lacquer	+0
T1 __	Veneer Tier 1	+1,059
T2 __	Veneer Tier 2	+1,273
T3 __	Veneer Tier 3	+4,029
HG __	High Gloss Polyester	+4,330

Step 6. Door/Drawer Face Finish

SL __	Satin Lacquer	+0
T1 __	Veneer Tier 1	+519
T2 __	Veneer Tier 2	+1,011
T3 __	Veneer Tier 3	+1,985
HG __	High Gloss Polyester	+2,194

Step 7. Configuration

Specify Left to Right: Select single or double space components for 4 available positions. When any double space component is selected, insert code in desired starting position and XXXX in subsequent position.

03 ____ C	Position 1
03 ____ C	Position 2
03 ____ C	Position 3
03 ____ C	Position 4

DOUBLE SPACE COMPONENTS

03DR30C	Doors w/adjustable shelf	0
03DF30C	Drawer over Lateral File	332
03OF30C	Open over Lateral File	310
03DD30C	Drawer over Doors	407
03TP30C	Trash Pullout	1,049
03AV30C	2 Door AV	375

SINGLE SPACE COMPONENTS

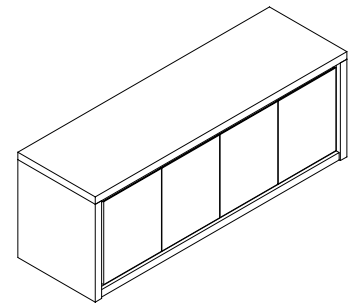
03DR15C	Door w/adjustable shelf	0
03DF15C	Drawer over File	166
03OF15C	Open over File	155
03DD15C	Drawer over Door	203
03TP15C	Trash Pullout	524

Please consult [page 7](#) for the palette of DatesWeiser finishes. Natural stone, non-standard glass and veneer, and other technology options are available. Please email customerservice@datesweiser.com for a custom quote. Consult technical information on [page 313](#) for construction details and technical information.

Highline Fifty Credenza

78" Long, 29" Conference Height

03C78C



Starting Price: **\$12,430**

78" credenza, 29" high, no top, all doors, satin lacquer case and doors, matching interior finish reveal

Pattern Number: 03C78C

Step 1. Top

NT	No top
FT	Full Top

Step 2. Top Finish (not applicable in 'no top' configuration)

GCO0	Clear Glass	+2,013
GCO1	Clear Glass, back painted, white	+2,119
GC __	Clear Glass, back painted, color	+2,354
GE01	Etched matte Glass, back painted, white	+2,292
GE __	Etched matte Glass, back painted, color	+2,547
CS01	Corian Glacier White	+2,654
QS __	Caesarstone	+3,715

Step 3. Shell Finish

SL __	Satin Lacquer	+0
T1	Veneer Tier 1	+1,846
T2	Veneer Tier 2	+3,242
T3	Veneer Tier 3	+6,040
HG __	High Gloss Polyester	+6,393

Step 4. Reveal Finish

MI __	Match Interior	+0
MC __	Powder Coat	+563
PM01	Polished Chrome	+563
PM02	Satin Nickel	+563
PM03	Oil Rubbed Bronze	+563

Step 5. Interior Finish

SL __	Satin Lacquer	+0
T1 __	Veneer Tier 1	+1,188
T2 __	Veneer Tier 2	+2,338
T3 __	Veneer Tier 3	+4,612
HG __	High Gloss Polyester	+4,957

Step 6. Door/Drawer Face Finish

SL __	Satin Lacquer	+0
T1 __	Veneer Tier 1	+519
T2 __	Veneer Tier 2	+1,011
T3 __	Veneer Tier 3	+1,985
HG __	High Gloss Polyester	+2,194

Step 7. Configuration

Specify Left to Right: Select single or double space components for 4 available positions. When any double space component is selected, insert code in desired starting position and XXXX in subsequent position.

03 ____ C	Position 1
03 ____ C	Position 2
03 ____ C	Position 3
03 ____ C	Position 4

DOUBLE SPACE COMPONENTS

03DR36C	Doors w/adjustable shelf	0
03FF36C	Drawer over Lateral File	342
03OF36C	Open over Lateral File	321
03DD36C	Drawer over Doors	417
03TP36C	Trash Pullout	1,059
03AV36C	2 Door AV	449

SINGLE SPACE COMPONENTS

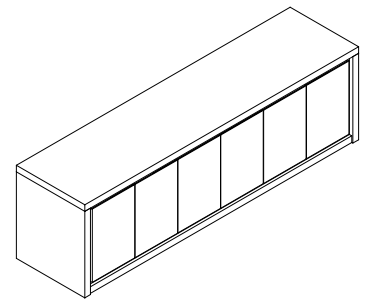
03DR18C	Door w/adjustable shelf	0
03FF18C	Drawer over File	171
03OF85C	Open over File	161
03DD18C	Drawer over Door	209
03TP18C	Trash Pullout	530

Please consult [page 7](#) for the palette of DatesWeiser finishes. Natural stone, non-standard glass and veneer, and other technology options are available. Please email customerservice@datesweiser.com for a custom quote. Consult technical information on [page 313](#) for construction details and technical information.

Highline Fifty Credenza

96" Long, 29" Conference Height

03C96C



Starting Price: **\$14,912**

96" credenza, 29" high, no top, all doors, satin lacquer case and doors, matching interior finish reveal

Pattern Number: 03C96C

Step 1. Top

NT	No top
FT	Full Top

Step 2. Top Finish (not applicable in 'no top' configuration)

GC00	Clear Glass	+2,500
GC01	Clear Glass, back painted, white	+2,615
GC __	Clear Glass, back painted, color	+2,905
GE01	Etched matte Glass, back painted, white	+2,837
GE __	Etched matte Glass, back painted, color	+3,151
CS01	Corian Glacier White	+3,338
QS __	Caesarstone	+4,674

Step 3. Shell Finish

SL __	Satin Lacquer	+0
T1	Veneer Tier 1	+2,033
T2	Veneer Tier 2	+3,617
T3	Veneer Tier 3	+6,768
HG __	High Gloss Polyester	+7,249

Step 4. Reveal Finish

MI __	Match Interior	+0
MC __	Powder Coat	+563
PM01	Polished Chrome	+563
PM02	Satin Nickel	+563
PM03	Oil Rubbed Bronze	+563

Step 5. Interior Finish

SL __	Satin Lacquer	+0
T1 __	Veneer Tier 1	+1,519
T2 __	Veneer Tier 2	+2,964
T3 __	Veneer Tier 3	+5,832
HG __	High Gloss Polyester	+6,269

Step 6. Door/Drawer Face Finish

SL __	Satin Lacquer	+0
T1 __	Veneer Tier 1	+749
T2 __	Veneer Tier 2	+1,461
T3 __	Veneer Tier 3	+2,873
HG __	High Gloss Polyester	+3,568

Step 7. Configuration

Specify Left to Right: Select single or double space components for 6 available positions. When any double space component is selected, insert code in desired starting position and XXXX in subsequent position.

03 _ _ _ _ C	Position 1
03 _ _ _ _ C	Position 2
03 _ _ _ _ C	Position 3
03 _ _ _ _ C	Position 4
03 _ _ _ _ C	Position 5
03 _ _ _ _ C	Position 6

DOUBLE SPACE COMPONENTS

03DR30C	Doors w/adjustable shelf	0
03DF30C	Drawer over Lateral File	332
03OF30C	Open over Lateral File	310
03DD30C	Drawer over Doors	407
03TP30C	Trash Pullout	1,049
03AV30C	2 Door AV	375

SINGLE SPACE COMPONENTS

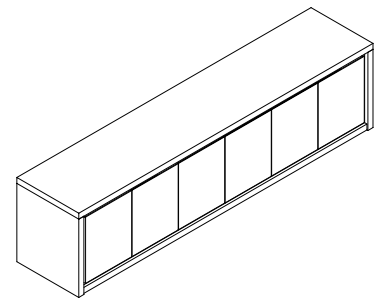
03DR15C	Door w/adjustable shelf	0
03DF15C	Drawer over File	166
03OF15C	Open over File	155
03DD15C	Drawer over Door	203
03TP15C	Trash Pullout	524

Please consult [page 7](#) for the palette of DatesWeiser finishes. Natural stone, non-standard glass and veneer, and other technology options are available. Please email customerservice@datesweiser.com for a custom quote. Consult technical information on [page 313](#) for construction details and technical information.

Highline Fifty Credenza

114" Long, 29" Conference Height

03C114C



Starting Price: **\$16,258**

114" credenza, 29" high, no top, all doors, satin lacquer case and doors, matching interior finish reveal

Pattern Number: 03C114C

Step 1. Top

NT	No top
FT	Full Top

Step 2. Top Finish (not applicable in 'no top' configuration)

GCO0	Clear Glass	+3,838
GCO1	Clear Glass, back painted, white	+3,963
GC __	Clear Glass, back painted, color	+4,403
GE01	Etched matte Glass, back painted, white	+4,247
GE __	Etched matte Glass, back painted, color	+4,719
CS01	Corian Glacier White	+4,901
QS __	Caesarstone	+6,861

Step 3. Shell Finish

SL __	Satin Lacquer	+0
T1	Veneer Tier 1	+2,183
T2	Veneer Tier 2	+3,943
T3	Veneer Tier 3	+7,474
HG __	High Gloss Polyester	+8,111

Step 4. Reveal Finish

MI __	Match Interior	+0
MC __	Powder Coat	+648
PM01	Polished Chrome	+648
PM02	Satin Nickel	+648
PM03	Oil Rubbed Bronze	+648

Step 5. Interior Finish

SL __	Satin Lacquer	+0
T1 __	Veneer Tier 1	+1,621
T2 __	Veneer Tier 2	+3,306
T3 __	Veneer Tier 3	+6,623
HG __	High Gloss Polyester	+7,120

Step 6. Door/Drawer Face Finish

SL __	Satin Lacquer	+0
T1 __	Veneer Tier 1	+797
T2 __	Veneer Tier 2	+1,632
T3 __	Veneer Tier 3	+3,264
HG __	High Gloss Polyester	+3,831

Step 7. Configuration

Specify Left to Right: Select single or double space components for 6 available positions. When any double space component is selected, insert code in desired starting position and XXXX in subsequent position.

03 _ _ _ _ C	Position 1
03 _ _ _ _ C	Position 2
03 _ _ _ _ C	Position 3
03 _ _ _ _ C	Position 4
03 _ _ _ _ C	Position 5
03 _ _ _ _ C	Position 6

DOUBLE SPACE COMPONENTS

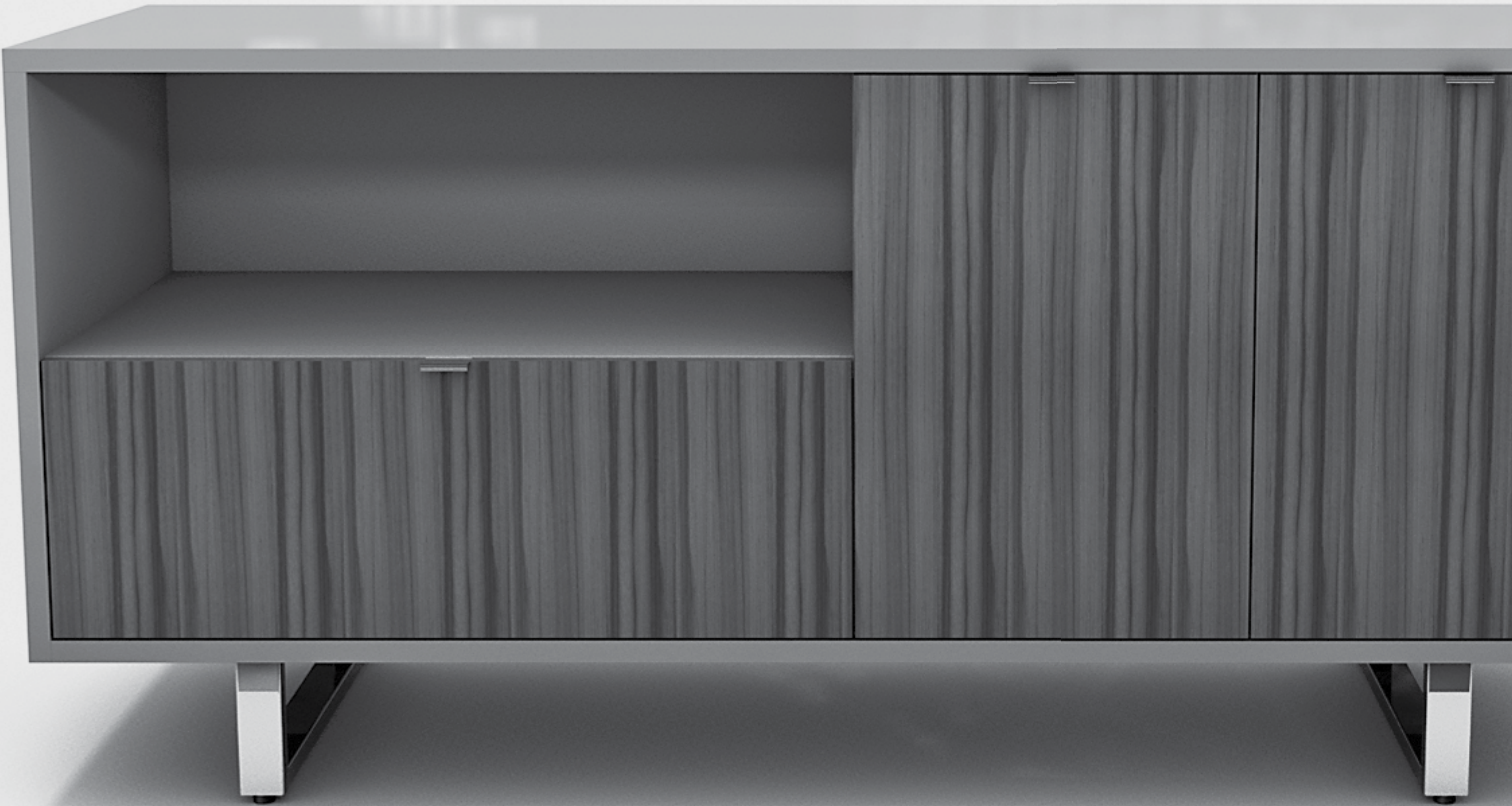
03DR36C	Doors w/adjustable shelf	0
03FF36C	Drawer over Lateral File	342
03OF36C	Open over Lateral File	321
03DD36C	Drawer over Doors	417
03TP36C	Trash Pullout	1,059
03AV36C	2 Door AV	449

SINGLE SPACE COMPONENTS

03DR18C	Door w/adjustable shelf	0
03FF18C	Drawer over File	171
03OF85C	Open over File	161
03DD18C	Drawer over Door	209
03TP18C	Trash Pullout	530

Please consult [page 7](#) for the palette of DatesWeiser finishes. Natural stone, non-standard glass and veneer, and other technology options are available. Please email customerservice@datesweiser.com for a custom quote. Consult technical information on [page 313](#) for construction details and technical information.

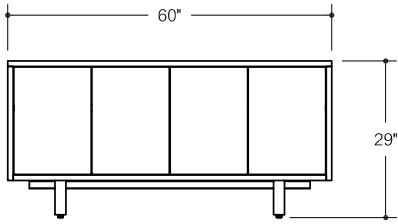
Highline Twenty-Five Collection



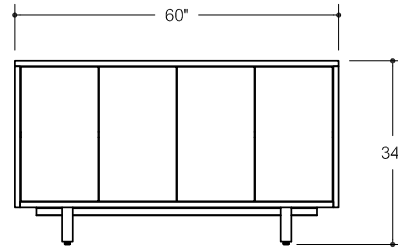
DATESWEISER

Highline Twenty-Five Credenzas Index

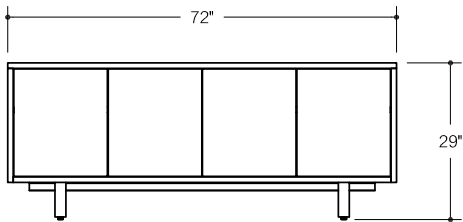
60"-108" width



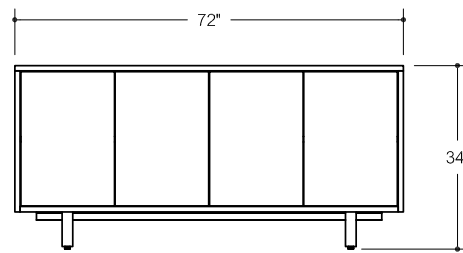
04C60C



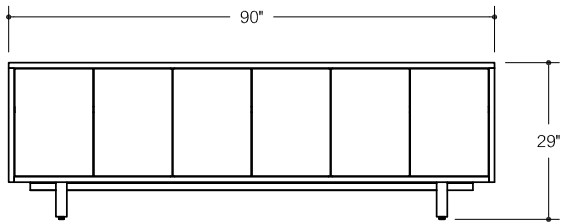
04C60B



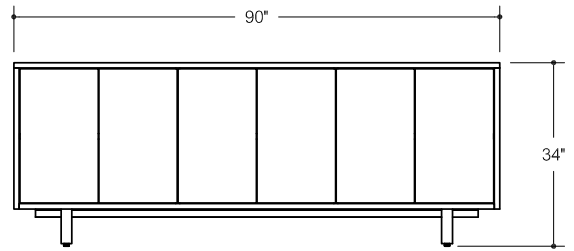
04C72C



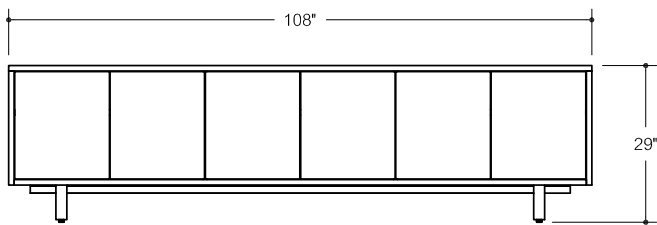
04C72B



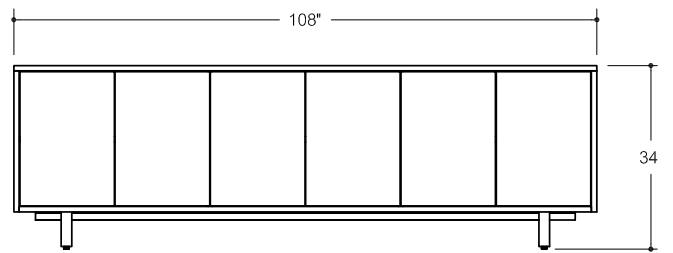
04C90C



04C90B



04C108C

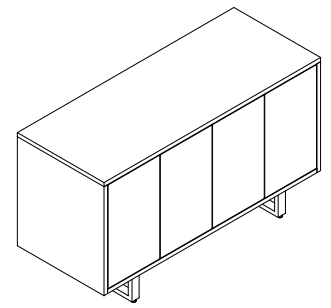


04C108B

Highline Twenty-Five Credenza

60" Long, 34" Buffet Height

04C60B



Starting Price: **\$8,200**

60" credenza, 34" high, no top, all doors, satin lacquer case and doors, powder coat legs

Pattern Number: 04C60B

Step 1. Top

NT	No top
FT	Full Top

Step 2. Top Finish (not applicable in 'no top' configuration)

GC00	Clear Glass	+1,922
GC01	Clear Glass, back painted, white	+2,018
GC __	Clear Glass, back painted, color	+2,242
GE01	Etched matte Glass, back painted, white	+2,172
GE __	Etched matte Glass, back painted, color	+2,413
CS01	Corian Glacier White	+2,520
QS __	Caesarstone	+3,528

Step 3. Case Finish

SL __	Satin Lacquer	+0
T1	Veneer Tier 1	+1,723
T2	Veneer Tier 2	+3,724
T3	Veneer Tier 3	+7,463
HG __	High Gloss Polyester	+8,218

Step 4. Leg Finish

MC __	Powder Coat	+0
PM01	Polished Chrome	+214
PM02	Satin Nickel	+214
PM03	Oil Rubbed Bronze	+214

Step 5. Door/Drawer Face Finish

SL __	Satin Lacquer	+0
T1 __	Veneer Tier 1	+428
T2 __	Veneer Tier 2	+931
T3 __	Veneer Tier 3	+1,862
HG __	High Gloss Polyester	+2054

Step 6. Configuration

Specify Left to Right: Select single or double space components for 4 available positions.

When any double space component is selected, insert code in desired starting position and XXXX in subsequent position.

04 _ _ _ B	Position 1
04 _ _ _ B	Position 2
04 _ _ _ B	Position 3
04 _ _ _ B	Position 4

DOUBLE SPACE COMPONENTS

04DR30B	Doors w/adjustable shelf	0
04FF30B	Lateral File over Lateral File	+380
04OF30B	Open over Lateral File	+321
04DD30B	Drawer over Doors	+631
04TP30B	Trash Pullout	+1,107
04AV30B	2 Door AV	+375

SINGLE SPACE COMPONENTS

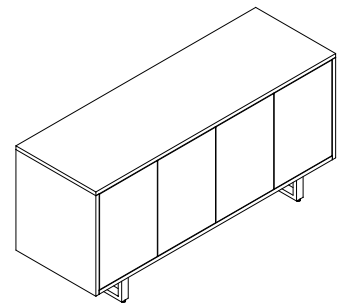
04DR15B	Door w/adjustable shelf	0
04FF15B	File over File	+190
04OF15B	Open over File	+161
04DD15B	Drawer over Door	+316
04TP15B	Trash Pullout	+554

Please consult [page 7](#) for the palette of DatesWeiser finishes. Natural stone, non-standard glass and veneer, and other technology options are available. Please email customerservice@datesweiser.com for a custom quote. Consult technical information on [page 319](#) for construction details and technical information.

Highline Twenty-Five Credenza

72" Long, 34" Buffet Height

04C72B



Starting Price: **\$8,639**

72" credenza, 34" high, no top, all doors, satin lacquer case and doors, powder coat legs

Pattern Number: 04C72B

Step 1. Top

NT	No top
FT	Full Top

Step 2. Top Finish (not applicable in 'no top' configuration)

GC00	Clear Glass	+2,018
GC01	Clear Glass, back painted, white	+2,211
GC__	Clear Glass, back painted, color	+2,456
GE01	Etched matte Glass, back painted, white	+2,394
GE__	Etched matte Glass, back painted, color	+2,659
CS01	Corian Glacier White	+2,793
QS__	Caesarstone	+3,910

Step 3. Case Finish

SL__	Satin Lacquer	+0
T1	Veneer Tier 1	+1,889
T2	Veneer Tier 2	+4,077
T3	Veneer Tier 3	+8,496
HG__	High Gloss Polyester	+9,432

Step 4. Leg Finish

MC__	Powder Coat	+0
PM01	Polished Chrome	+214
PM02	Satin Nickel	+214
PM03	Oil Rubbed Bronze	+214

Step 5. Door/Drawer Face Finish

SL__	Satin Lacquer	+0
T1__	Veneer Tier 1	+471
T2__	Veneer Tier 2	+1,022
T3__	Veneer Tier 3	+2,124
HG__	High Gloss Polyester	+2,359

Step 6. Configuration

Specify Left to Right: Select single or double space components for 4 available positions. When any double space component is selected, insert code in desired starting position and XXXX in subsequent position.

04__ __ B	Position 1
04__ __ B	Position 2
04__ __ B	Position 3
04__ __ B	Position 4

DOUBLE SPACE COMPONENTS

04DR36B	Doors w/adjustable shelf	0
04FF36B	Lateral File over Lateral File	+423
04OF36B	Open over Lateral File	+375
04DD36B	Drawer over Doors	+679
04TP36B	Trash Pullout	+1,172
04AV36B	2 Door AV	+449

SINGLE SPACE COMPONENTS

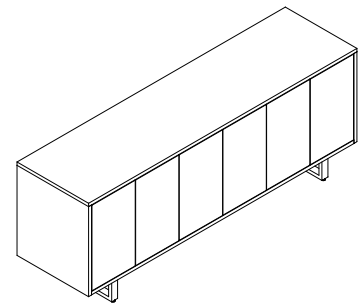
04DR18B	Door w/adjustable shelf	0
04FF18B	File over File	+212
04OF85B	Open over File	+187
04DD18B	Drawer over Door	+340
04TP18B	Trash Pullout	+586

Please consult [page 7](#) for the palette of DatesWeiser finishes. Natural stone, non-standard glass and veneer, and other technology options are available. Please email customerservice@datesweiser.com for a custom quote. Consult technical information on [page 319](#) for construction details and technical information.

Highline Twenty-Five Credenza

90" Long, 34" Buffet Height

04C90B



Starting Price: **\$10,522**

90" credenza, 34" high, no top, all doors, satin lacquer case and doors, powder coat legs

Pattern Number: 04C90B

Step 1. Top

NT	No top
FT	Full Top

Step 2. Top Finish (not applicable in 'no top' configuration)

GC00	Clear Glass	+2,211
GC01	Clear Glass, back painted, white	+2,509
GC __	Clear Glass, back painted, color	+2,787
GE01	Etched matte Glass, back painted, white	+2,731
GE __	Etched matte Glass, back painted, color	+3,033
CS01	Corian Glacier White	+3,199
QS __	Caesarstone	+4,479

Step 3. Case Finish

SL __	Satin Lacquer	+0
T1	Veneer Tier 1	+2,370
T2	Veneer Tier 2	+5,168
T3	Veneer Tier 3	+9,892
HG __	High Gloss Polyester	+11,133

Step 4. Leg Finish

MC __	Powder Coat	+0
PM01	Polished Chrome	+214
PM02	Satin Nickel	+214
PM03	Oil Rubbed Bronze	+214

Step 5. Door/Drawer Face Finish

SL __	Satin Lacquer	+0
T1 __	Veneer Tier 1	+594
T2 __	Veneer Tier 2	+1,295
T3 __	Veneer Tier 3	+2,477
HG __	High Gloss Polyester	+2,782

Step 6. Configuration

Specify Left to Right: Select single or double space components for 6 available positions. When any double space component is selected, insert code in desired starting position and XXXX in subsequent position.

04 _ _ _ B	Position 1
04 _ _ _ B	Position 2
04 _ _ _ B	Position 3
04 _ _ _ B	Position 4
04 _ _ _ B	Position 5
04 _ _ _ B	Position 6

DOUBLE SPACE COMPONENTS

04DR30B	Doors w/adjustable shelf	0
04FF30B	Lateral File over Lateral File	+380
04OF30B	Open over Lateral File	+321
04DD30B	Drawer over Doors	+631
04TP30B	Trash Pullout	+1,107
04AV30B	2 Door AV	+375

SINGLE SPACE COMPONENTS

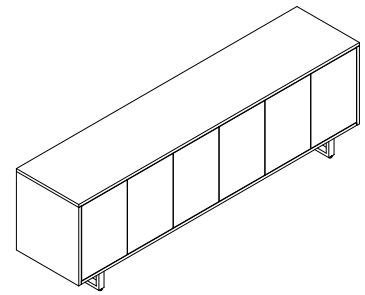
04DR15B	Door w/adjustable shelf	0
04FF15B	File over File	+190
04OF15B	Open over File	+161
04DD15B	Drawer over Door	+316
04TP15B	Trash Pullout	+554

Please consult [page 7](#) for the palette of DatesWeiser finishes. Natural stone, non-standard glass and veneer, and other technology options are available. Please email customerservice@datesweiser.com for a custom quote. Consult technical information on [page 319](#) for construction details and technical information.

Highline Twenty-Five Credenza

108" Long, 34" Buffet Height

04C108B



Starting Price: **\$11,201**

108" credenza, 34" high, no top, all doors, satin lacquer case and doors, powder coat legs

Pattern Number: 04C108B

Step 1. Top

NT	No top
FT	Full Top

Step 2. Top Finish (not applicable in 'no top' configuration)

GC00	Clear Glass	+2,788
GC01	Clear Glass, back painted, white	+3,592
GC__	Clear Glass, back painted, color	+3,991
GE01	Etched matte Glass, back painted, white	+3,857
GE__	Etched matte Glass, back painted, color	+4,285
CS01	Corian Glacier White	+4,494
QS__	Caesarstone	+6,292

Step 3. Case Finish

SL__	Satin Lacquer	+0
T1	Veneer Tier 1	+2,605
T2	Veneer Tier 2	+5,832
T3	Veneer Tier 3	+11,412
HG__	High Gloss Polyester	+12,952

Step 4. Leg Finish

MC__	Powder Coat	+0
PM01	Polished Chrome	+214
PM02	Satin Nickel	+214
PM03	Oil Rubbed Bronze	+214

Step 5. Door/Drawer Face Finish

SL__	Satin Lacquer	+0
T1__	Veneer Tier 1	+653
T2__	Veneer Tier 2	+1,461
T3__	Veneer Tier 3	+2,857
HG__	High Gloss Polyester	+3,237

Step 6. Configuration

Specify Left to Right: Select single or double space components for 6 available positions. When any double space component is selected, insert code in desired starting position and XXXX in subsequent position.

04__ __ B	Position 1
04__ __ B	Position 2
04__ __ B	Position 3
04__ __ B	Position 4
04__ __ B	Position 5
04__ __ B	Position 6

DOUBLE SPACE COMPONENTS

04DR36B	Doors w/adjustable shelf	0
04FF36B	Lateral File over Lateral File	+423
04OF36B	Open over Lateral File	+375
04DD36B	Drawer over Doors	+679
04TP36B	Trash Pullout	+1,172
04AV36B	2 Door AV	+449

SINGLE SPACE COMPONENTS

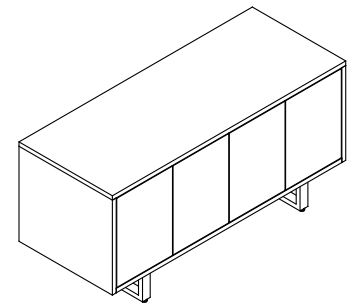
04DR18B	Door w/adjustable shelf	0
04FF18B	File over File	+212
04OF85B	Open over File	+187
04DD18B	Drawer over Door	+340
04TP18B	Trash Pullout	+586

Please consult [page 7](#) for the palette of DatesWeiser finishes. Natural stone, non-standard glass and veneer, and other technology options are available. Please email customerservice@datesweiser.com for a custom quote. Consult technical information on [page 319](#) for construction details and technical information.

Highline Twenty-Five Credenza

60" Long, 29" Conference Height

04C60C



Starting Price: **\$8,200**

60" credenza, 29" high, no top, all doors, satin lacquer case and doors, powder coat legs

Pattern Number: 04C60C

Step 1. Top

NT	No top
FT	Full Top

Step 2. Top Finish (not applicable in 'no top' configuration)

GC00	Clear Glass	+1,922
GC01	Clear Glass, back painted, white	+2,018
GC __	Clear Glass, back painted, color	+2,242
GE01	Etched matte Glass, back painted, white	+2,172
GE __	Etched matte Glass, back painted, color	+2,413
CS01	Corian Glacier White	+2,520
QS __	Caesarstone	+3,528

Step 3. Case Finish

SL __	Satin Lacquer	+0
T1	Veneer Tier 1	+1,723
T2	Veneer Tier 2	+3,724
T3	Veneer Tier 3	+7,463
HG __	High Gloss Polyester	+8,218

Step 4. Leg Finish

MC __	Powder Coat	+0
PM01	Polished Chrome	+214
PM02	Satin Nickel	+214
PM03	Oil Rubbed Bronze	+214

Step 5. Door/Drawer Face Finish

SL __	Satin Lacquer	+0
T1 __	Veneer Tier 1	+428
T2 __	Veneer Tier 2	+931
T3 __	Veneer Tier 3	+1,862
HG __	High Gloss Polyester	+2,054

Step 6. Configuration

Specify Left to Right: Select single or double space components for 4 available positions. When any double space component is selected, insert code in desired starting position and XXXX in subsequent position.

04 _ _ _ _ C	Position 1
04 _ _ _ _ C	Position 2
04 _ _ _ _ C	Position 3
04 _ _ _ _ C	Position 4

DOUBLE SPACE COMPONENTS

04DR30C	Doors w/adjustable shelf	0
04DF30C	Drawer over Lateral File	+380
04OF30C	Open over Lateral File	+321
04DD30C	Drawer over Doors	+631
04TP30C	Trash Pullout	+1,107
04AV30C	2 Door AV	+375

SINGLE SPACE COMPONENTS

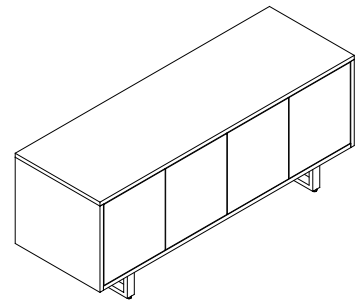
04DR15C	Door w/adjustable shelf	0
04DF15C	Drawer over File	+190
04OF15C	Open over File	+161
04DD15C	Drawer over Door	+316
04TP15C	Trash Pullout	+554

Please consult [page 7](#) for the palette of DatesWeiser finishes. Natural stone, non-standard glass and veneer, and other technology options are available. Please email customerservice@datesweiser.com for a custom quote. Consult technical information on [page 319](#) for construction details and technical information.

Highline Twenty-Five Credenza

72" Long, 29" Conference Height

04C72C



Starting Price: **\$8,639**

72" credenza, 29" high, no top, all doors, satin lacquer case and doors, powder coat legs

Pattern Number: 04C72C

Step 1. Top

NT	No top
FT	Full Top

Step 2. Top Finish (not applicable in 'no top' configuration)

GCO0	Clear Glass	+2,018
GCO1	Clear Glass, back painted, white	+2,211
GC __	Clear Glass, back painted, color	+2,456
GE01	Etched matte Glass, back painted, white	+2,394
GE __	Etched matte Glass, back painted, color	+2,659
CS01	Corian Glacier White	+2,793
QS __	Caesarstone	+3,910

Step 3. Case Finish

SL __	Satin Lacquer	+0
T1	Veneer Tier 1	+1,889
T2	Veneer Tier 2	+4,077
T3	Veneer Tier 3	+8,496
HG __	High Gloss Polyester	+9,432

Step 4. Leg Finish

MC __	Powder Coat	+0
PM01	Polished Chrome	+214
PM02	Satin Nickel	+214
PM03	Oil Rubbed Bronze	+214

Step 5. Door/Drawer Face Finish

SL __	Satin Lacquer	+0
T1 __	Veneer Tier 1	+471
T2 __	Veneer Tier 2	+1,022
T3 __	Veneer Tier 3	+2,124
HG __	High Gloss Polyester	+2,359

Step 6. Configuration

Specify Left to Right: Select single or double space components for 4 available positions. When any double space component is selected, insert code in desired starting position and XXXX in subsequent position.

04 _ _ _ C	Position 1
04 _ _ _ C	Position 2
04 _ _ _ C	Position 3
04 _ _ _ C	Position 4

DOUBLE SPACE COMPONENTS

04DR36C	Doors w/adjustable shelf	0
04FF36C	Drawer over Lateral File	+423
04OF36C	Open over Lateral File	+375
04DD36C	Drawer over Doors	+679
04TP36C	Trash Pullout	+1,172
04AV36C	2 Door AV	+449

SINGLE SPACE COMPONENTS

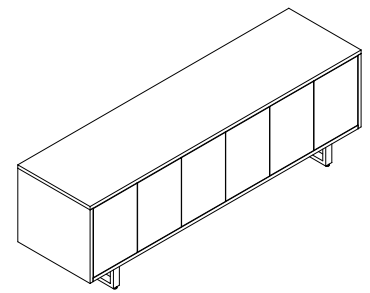
04DR18C	Door w/adjustable shelf	0
04FF18C	Drawer over File	+212
04OF85C	Open over File	+187
04DD18C	Drawer over Door	+340
04TP18C	Trash Pullout	+586

Please consult [page 7](#) for the palette of DatesWeiser finishes. Natural stone, non-standard glass and veneer, and other technology options are available. Please email customerservice@datesweiser.com for a custom quote. Consult technical information on [page 319](#) for construction details and technical information.

Highline Twenty-Five Credenza

90" Long, 29" Conference Height

04C90C



Starting Price: **\$10,522**

90" credenza, 29" high, no top, all doors, satin lacquer case and doors, powder coat legs

Pattern Number: 04C90C

Step 1. Top

NT	No top	
FT	Full Top	

Step 2. Top Finish (not applicable in 'no top' configuration)

GC00	Clear Glass	+2,211
GC01	Clear Glass, back painted, white	+2,509
GC __	Clear Glass, back painted, color	+2,787
GE01	Etched matte Glass, back painted, white	+2,731
GE __	Etched matte Glass, back painted, color	+3,033
CS01	Corian Glacier White	+3,199
QS __	Caesarstone	+4,479

Step 3. Case Finish

SL __	Satin Lacquer	+0
T1	Veneer Tier 1	+2,370
T2	Veneer Tier 2	+5,168
T3	Veneer Tier 3	+9,892
HG __	High Gloss Polyester	+11,133

Step 4. Leg Finish

MC __	Powder Coat	+0
PM01	Polished Chrome	+214
PM02	Satin Nickel	+214
PM03	Oil Rubbed Bronze	+214

Step 5. Door/Drawer Face Finish

SL __	Satin Lacquer	+0
T1 __	Veneer Tier 1	+594
T2 __	Veneer Tier 2	+1,295
T3 __	Veneer Tier 3	+2,477
HG __	High Gloss Polyester	+2,782

Step 6. Configuration

Specify Left to Right: Select single or double space components for 6 available positions. When any double space component is selected, insert code in desired starting position and XXXX in subsequent position.

04 ____ C	Position 1	+ ____
04 ____ C	Position 2	+ ____
04 ____ C	Position 3	+ ____
04 ____ C	Position 4	+ ____
04 ____ C	Position 5	+ ____
04 ____ C	Position 6	+ ____

DOUBLE SPACE COMPONENTS

04DR30C	Doors w/adjustable shelf	0
04DF30C	Drawer over Lateral File	+380
04OF30C	Open over Lateral File	+321
04DD30C	Drawer over Doors	+631
04TP30C	Trash Pullout	+1,107
04AV30C	2 Door AV	+375

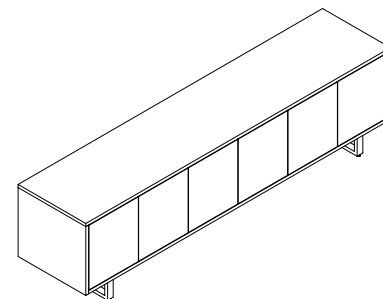
SINGLE SPACE COMPONENTS

04DR15C	Door w/adjustable shelf	0
04DF15C	Drawer over File	+190
04OF15C	Open over File	+161
04DD15C	Drawer over Door	+316
04TP15C	Trash Pullout	+554

Please consult [page 7](#) for the palette of DatesWeiser finishes. Natural stone, non-standard glass and veneer, and other technology options are available. Please email customerservice@datesweiser.com for a custom quote. Consult technical information on [page 319](#) for construction details and technical information.

Highline Twenty-Five Credenza

108" Long, 29" Conference Height
04C108C



Starting Price: **\$11,201**

108" credenza, 29" high, no top, all doors, satin lacquer case and doors, powder coat legs

Pattern Number: 04C108C

Step 1. Top

NT	No top
FT	Full Top

Step 2. Top Finish (not applicable in 'no top' configuration)

GC00	Clear Glass	+2,788
GC01	Clear Glass, back painted, white	+3,592
GC __	Clear Glass, back painted, color	+3,991
GE01	Etched matte Glass, back painted, white	+3,857
GE __	Etched matte Glass, back painted, color	+4,285
CS01	Corian Glacier White	+4,494
QS __	Caesarstone	+6,292

Step 3. Case Finish

SL __	Satin Lacquer	+0
T1	Veneer Tier 1	+2,605
T2	Veneer Tier 2	+5,832
T3	Veneer Tier 3	+11,412
HG __	High Gloss Polyester	+12,952

Step 4. Leg Finish

MC __	Powder Coat	+0
PM01	Polished Chrome	+214
PM02	Satin Nickel	+214
PM03	Oil Rubbed Bronze	+214

Step 5. Door/Drawer Face Finish

SL __	Satin Lacquer	+0
T1 __	Veneer Tier 1	+653
T2 __	Veneer Tier 2	+1,461
T3 __	Veneer Tier 3	+2,857
HG __	High Gloss Polyester	+3,237

Step 6. Configuration

Specify Left to Right: Select single or double space components for 6 available positions. When any double space component is selected, insert code in desired starting position and XXXX in subsequent position.

04 ____ C	Position 1	+ ____
04 ____ C	Position 2	+ ____
04 ____ C	Position 3	+ ____
04 ____ C	Position 4	+ ____
04 ____ C	Position 5	+ ____
04 ____ C	Position 6	+ ____

DOUBLE SPACE COMPONENTS

04DR36C	Doors w/adjustable shelf	0
04FF36C	Drawer over Lateral File	+423
04OF36C	Open over Lateral File	+375
04DD36C	Drawer over Doors	+679
04TP36C	Trash Pullout	+1,172
04AV36C	2 Door AV	+449

SINGLE SPACE COMPONENTS

04DR18C	Door w/adjustable shelf	0
04FF18C	Drawer over File	+212
04OF85C	Open over File	+187
04DD18C	Drawer over Door	+340
04TP18C	Trash Pullout	+586

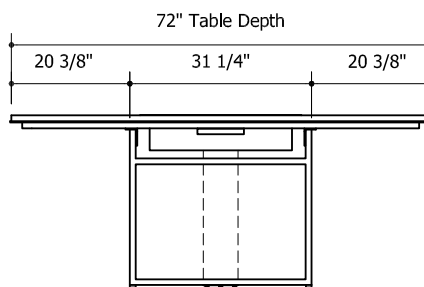
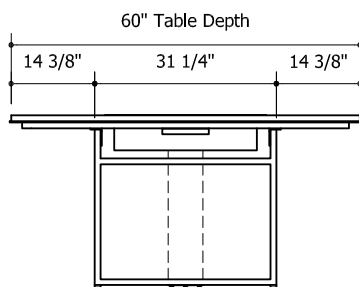
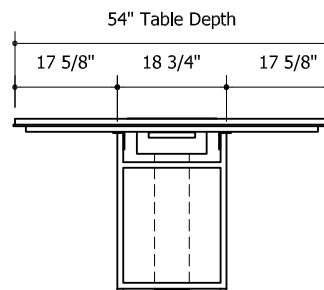
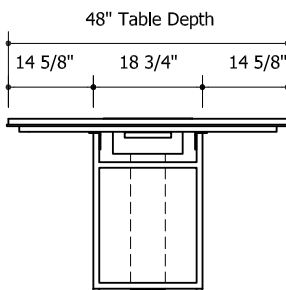
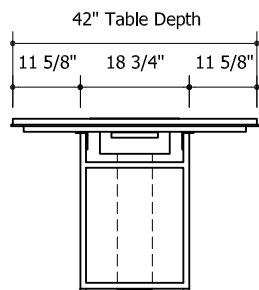
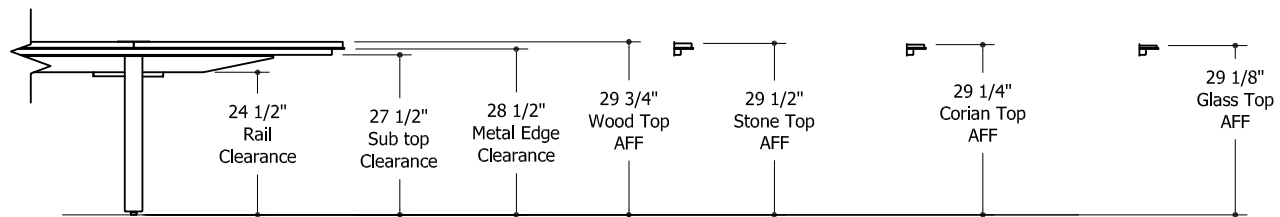
Please consult [page 7](#) for the palette of DatesWeiser finishes. Natural stone, non-standard glass and veneer, and other technology options are available. Please email customerservice@datesweiser.com for a custom quote. Consult technical information on [page 319](#) for construction details and technical information.

Technical Information

Highline Collection

Conference Tables

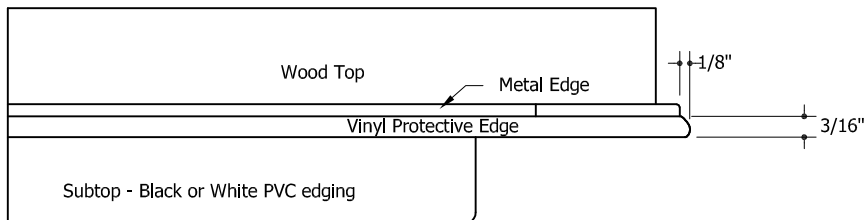
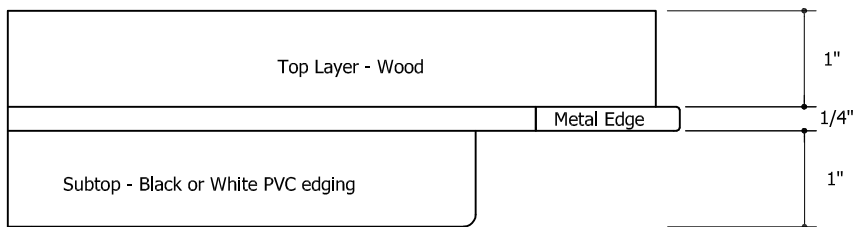
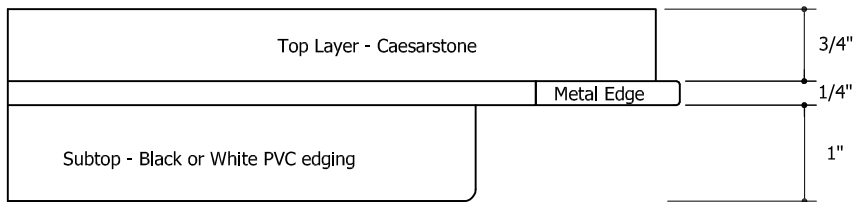
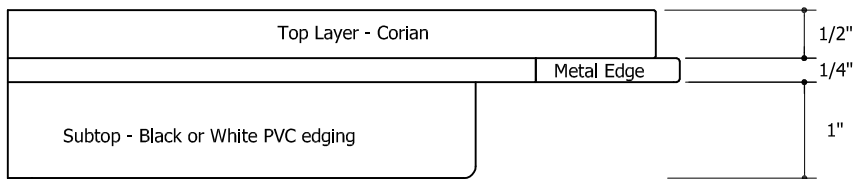
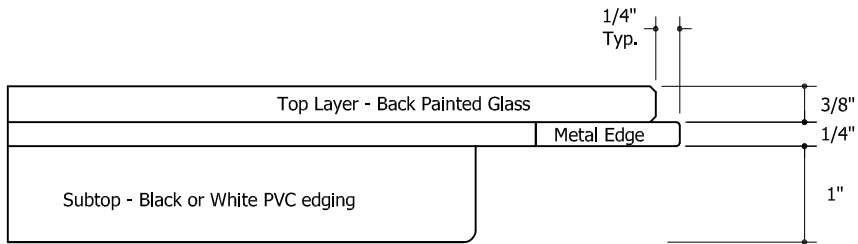
Overall Elevations and Clearance



Highline Collection

Conference Tables

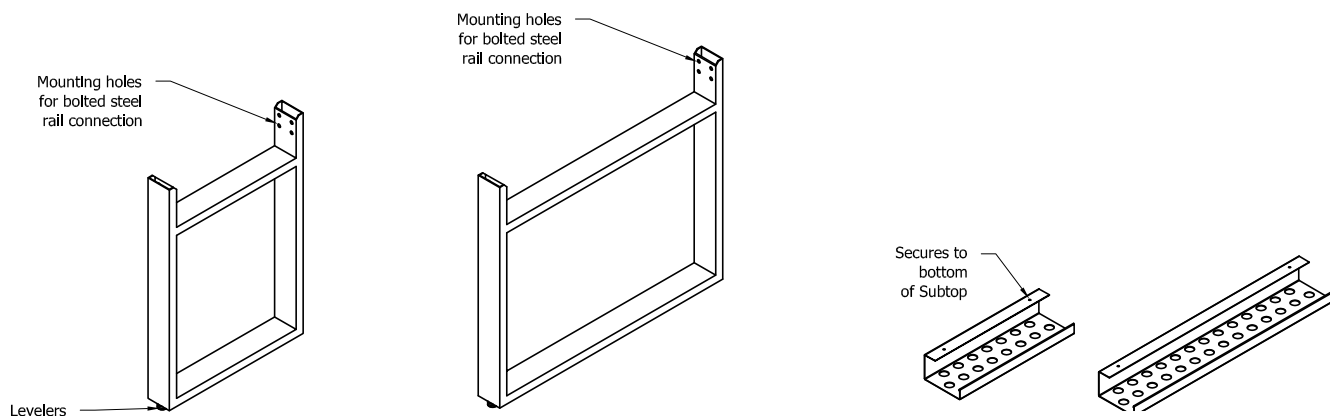
Top Construction



Highline Collection

Conference Tables

Base Construction / Wire Management Column



Highline Small Base

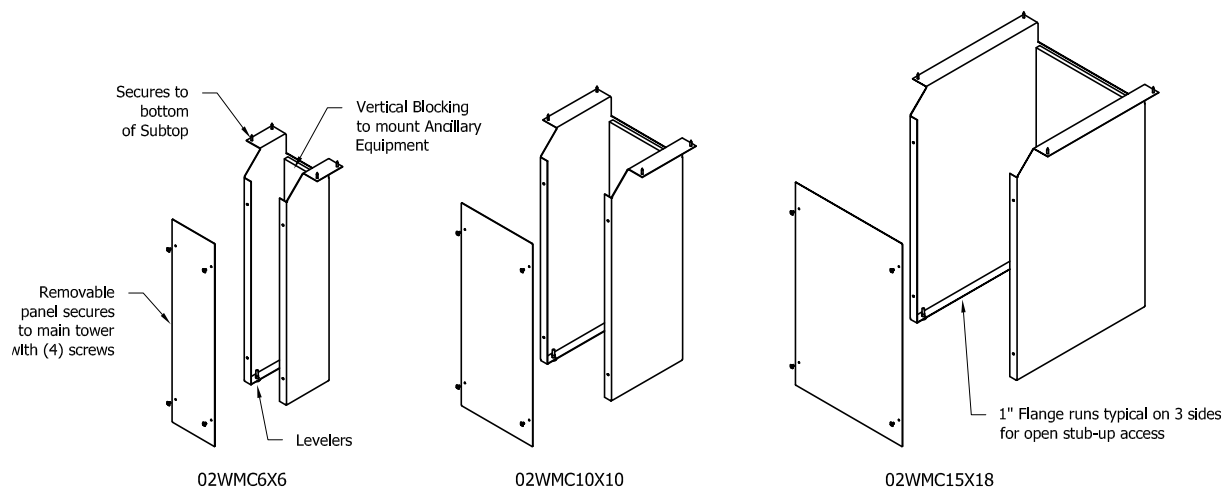
- Used on 42" / 48" / 54" widths
- Also used in combination with large bases for some elliptical and trapezoid configurations
- Construction: 1" x 3" tubular steel

Highline Large Base

- Used on 60" / 72" widths
- Also used in combination with small bases for some elliptical and trapezoid configurations
- Construction: 1" x 3" tubular steel

Wire Manager

- Length varies by table 16" or 28" x 5" deep x 3" high
- Construction: Steel with black powder coat metallic finish (MC12)



Wire Management Column

- Ordered separately but required with all power options
- Location is flexible but placement on table centerline is recommended

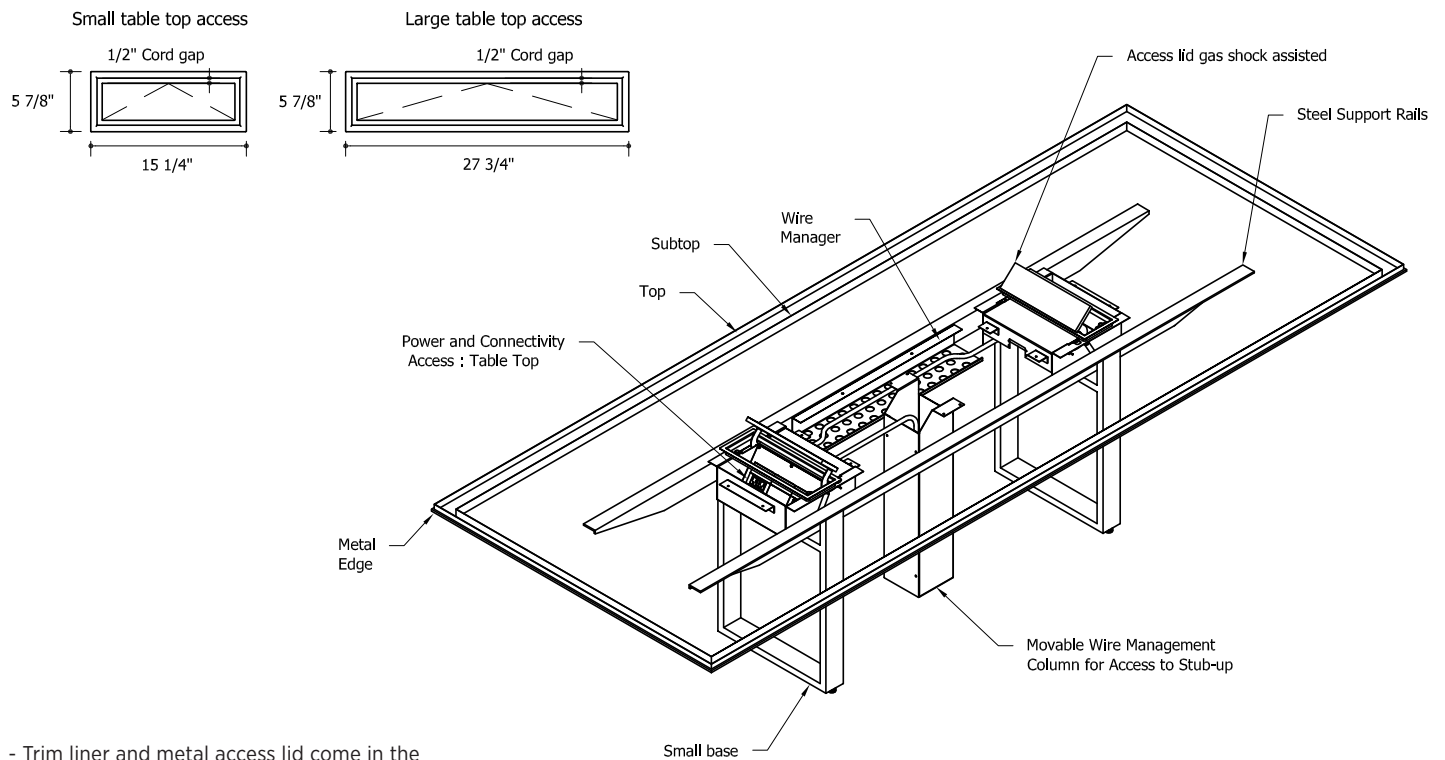
02WMC6X6	6" x 6" with clear inside of 4" x 5"
02WMC10X10	10" x 10" with clear inside of 8" x 9"
02WMC15X18	15" x 18" with clear inside of 13" x 17"

Highline Collection

Conference Tables

Power & Connectivity

Table Top: Small and Large



- Trim liner and metal access lid come in the specified metal finish
- Small access lid used on 42" / 48" / 54" tables
- Large access lid used on 60" / 72" tables



Small Table Top access (shown populated)

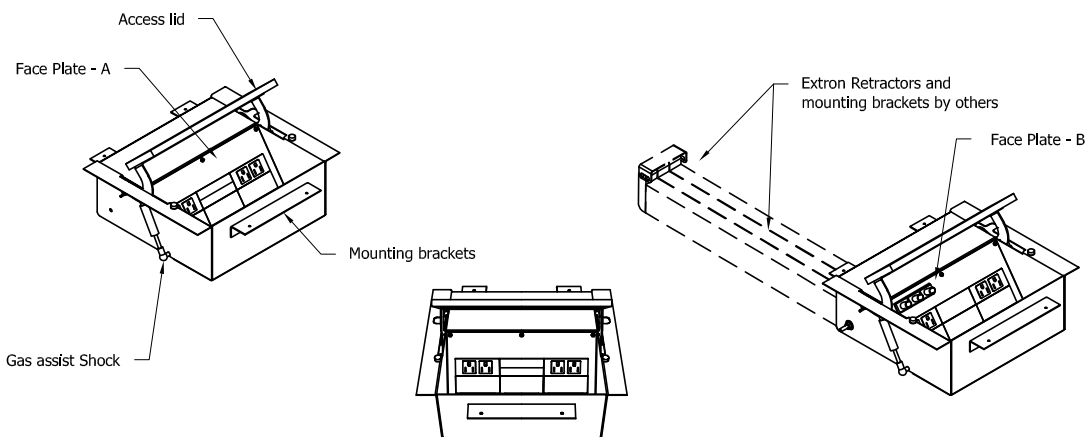


Small Table Top access (shown with optional faceplate)

- Provided with 2 AC power modules - specify hardwired (HW) or plug in (PI), 3 double space and 2 single space blank plates
- For additional connectivity, replace blank plates with Extron single or double space AAP plates as desired. For more information see extron.com

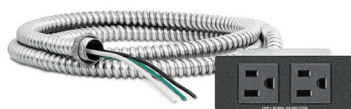
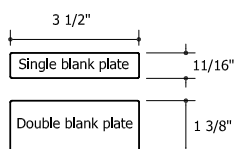
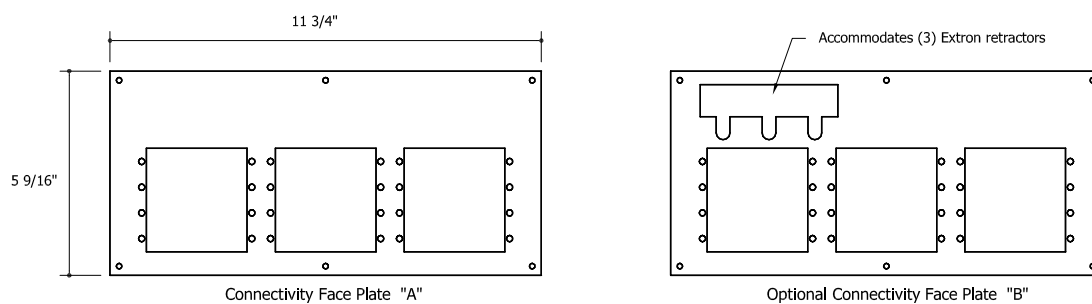
Highline Collection

Conference Tables Power & Connectivity Table Top: Small



- Interior: Black powder coat metallic finish (MC12)
- Used on 42" / 48" / 54" width conference tables
- Also used in combination with large boxes for some elliptical and trapezoid configurations
- Connectivity: Face Plate "A" Qty 1 is standard
- Connectivity: Face Plate "B" is used with Extron retractors

- Face Plates are removable to allow for easy population by AV installer
- Provided with 2 AC power modules - specify hardwired (HW) or plug in (PI), 3 double space and 2 single space blank plates
- For additional connectivity, replace blank plates with Extron single or double space AAP plates as desired. For more information see extron.com



- AC Module Hardwired (HW)
- 3/8" diameter x 6' long metal-clad cable with 6" pigtail
 - Additional knockouts for series wiring
 - 12A max per module

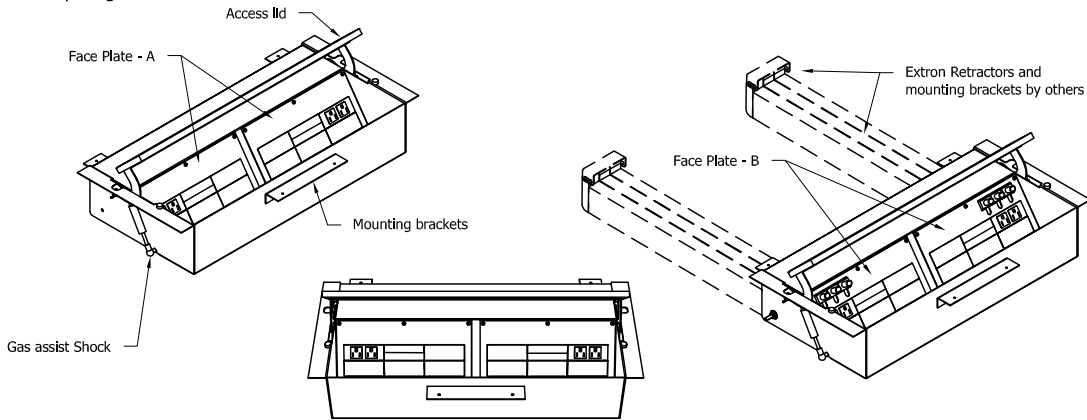


- AC Module Plug In (PI)
- 7.5' detachable soft cord
 - 6A max per module

Highline Collection

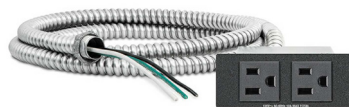
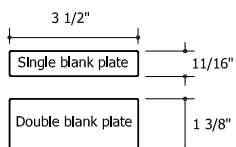
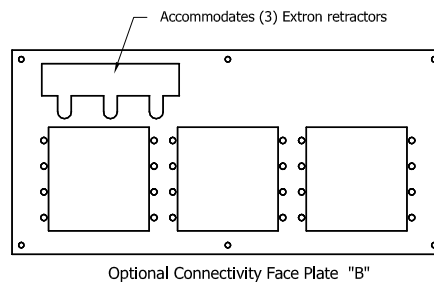
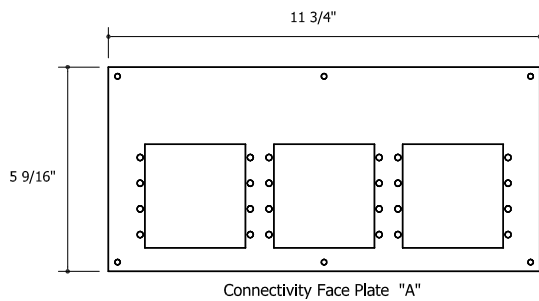
Conference Tables Power & Connectivity Table Top: Large

Table Top Large



- Interior: Black powder coat metallic finish (MC12)
- Used on 60" / 72" width tables
- Also used in combination with Highline Small boxes for some elliptical and trapezoid configurations
- Connectivity: Face Plate "A" Qty 2 is standard
- Connectivity: Face Plate "B" is used with Extron retractors

- Face Plates are removable to allow for easy population by AV installer
- Provided with 2 AC power modules - specify hardwired (HW) or plug in (PI), 8 double space and 4 single space blank plates
- For additional connectivity, replace blank plates with Extron single or double space AAP plates as desired. For more information see extron.com



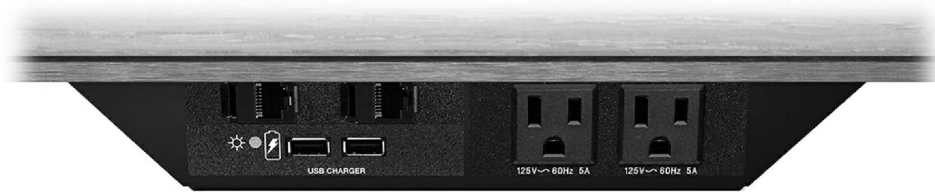
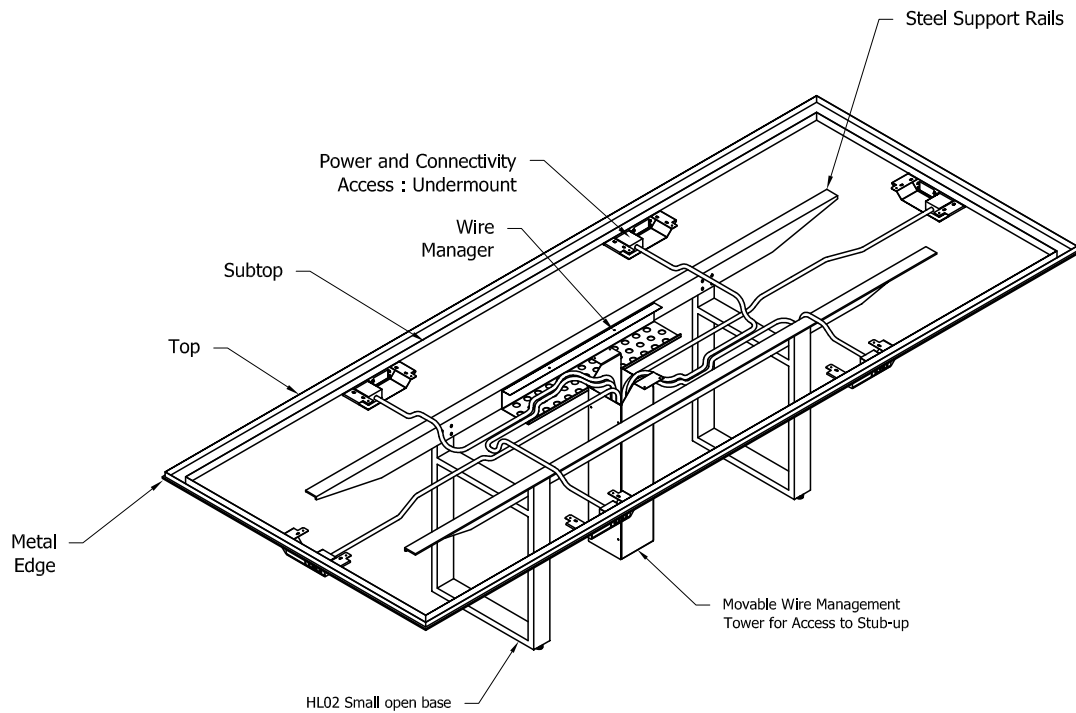
- AC Module Hardwired (HW)
- 3/8" diameter x 6' long metal clad cable with 6" pigtail
 - Additional knockouts for series wiring
 - 12A max per module



- AC Module Plug In (PI)
- 7.5' detachable soft cord
 - 6A max per module

Highline Collection

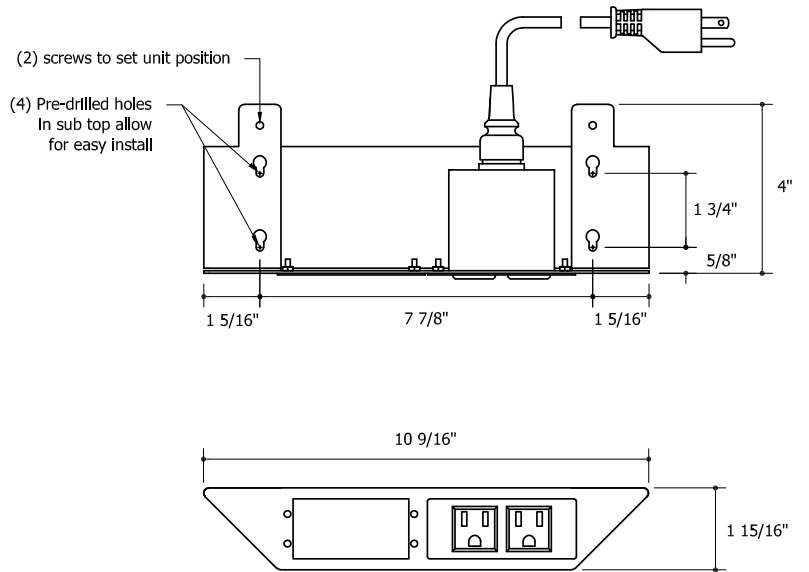
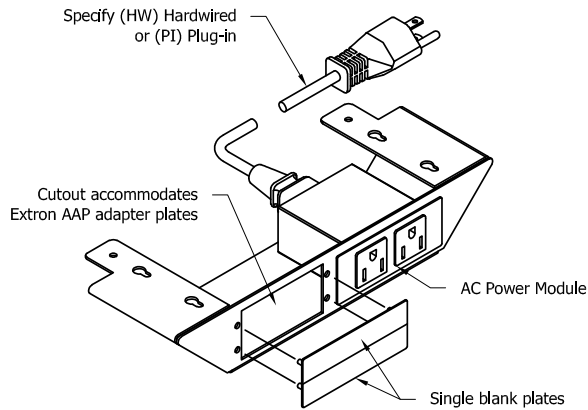
Conference Tables Power & Connectivity Undermount



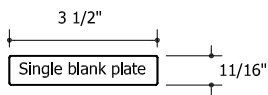
Undermount access (shown populated)
- Provided with 1 AC power module - specify hardwired (HW) or plug in (PI), and 2 single space blank plates
- For additional connectivity, replace blank plates with Extron single or double space AAP plates as desired. For more information see extron.com

Highline Collection

Conference Tables Power & Connectivity Undermount



- Interior: Black powder coat metallic finish (MC12)
- Provided with 1 AC power module - specify hardwired (HW) or plug in (PI), and 2 single space blank plates
- For additional connectivity, replace blank plates with Extron single or double space AAP plates as desired. For more information see extron.com



- AC Module Hardwired (HW)
- 3/8" diameter x 6' long metal-clad cable with 6" pigtail
 - Additional knockouts for series wiring
 - 12A max per module

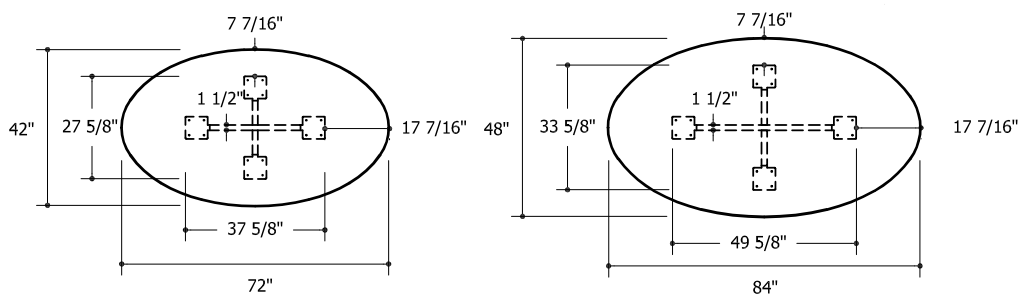
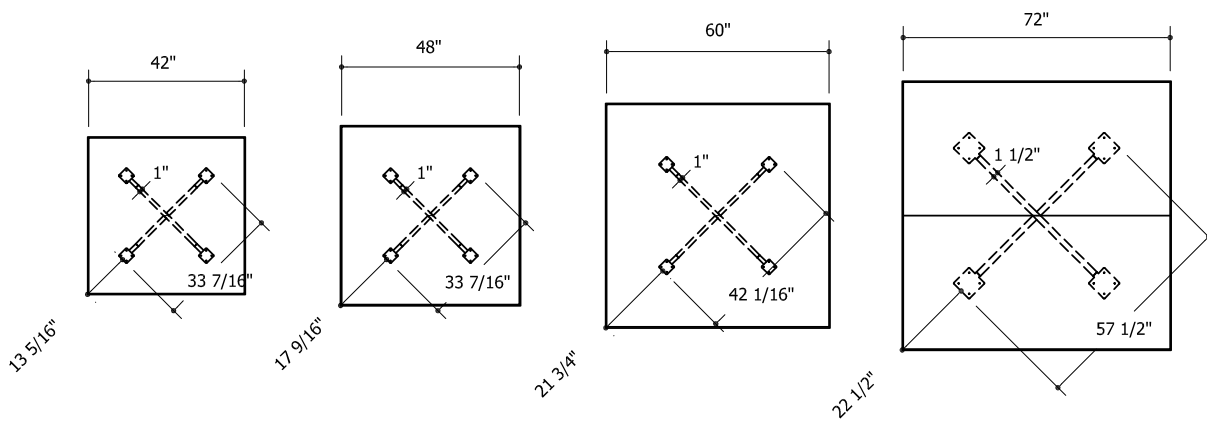
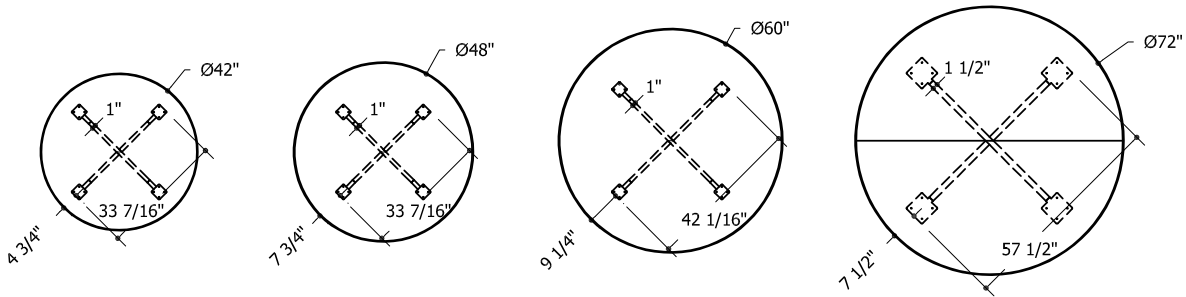
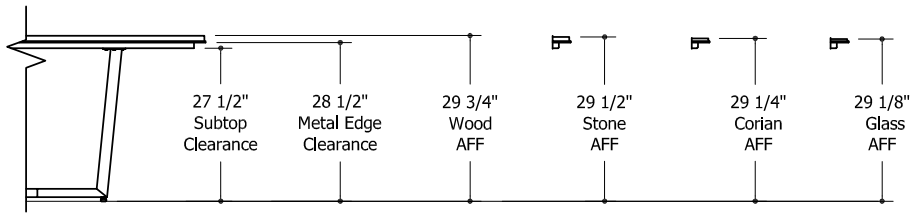


- AC Module Plug In (PI)
- 7.5' detachable soft cord
 - 6A max per module

Highline Collection

Meeting Tables

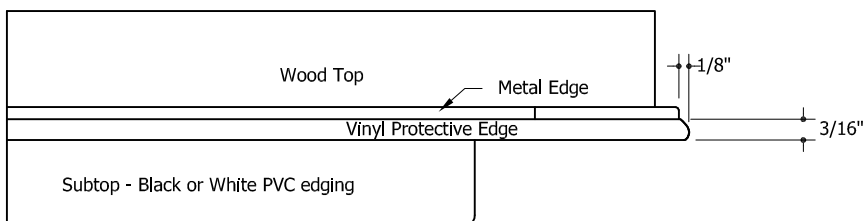
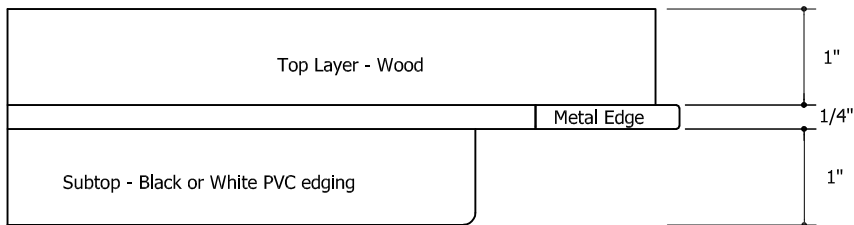
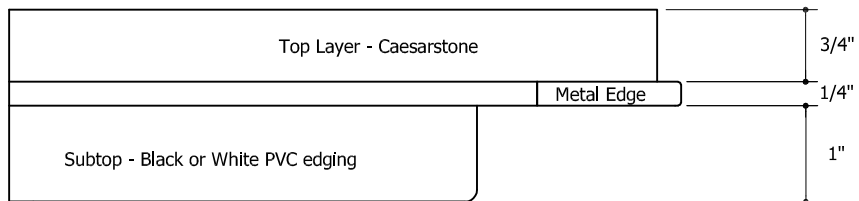
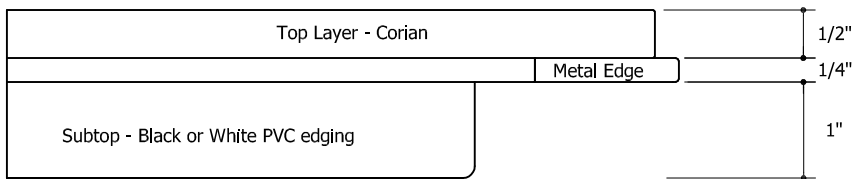
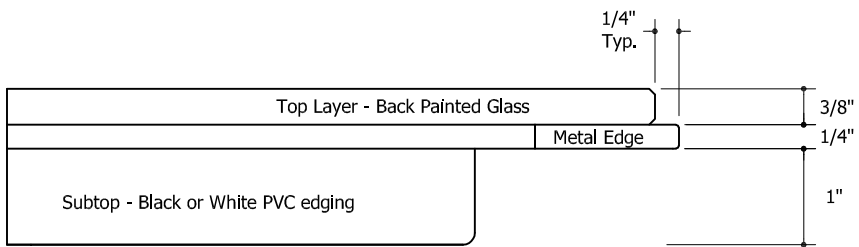
Overall Elevations and Clearance



Highline Collection

Meeting Tables

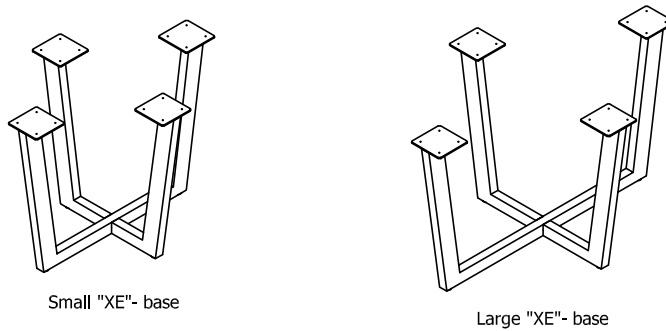
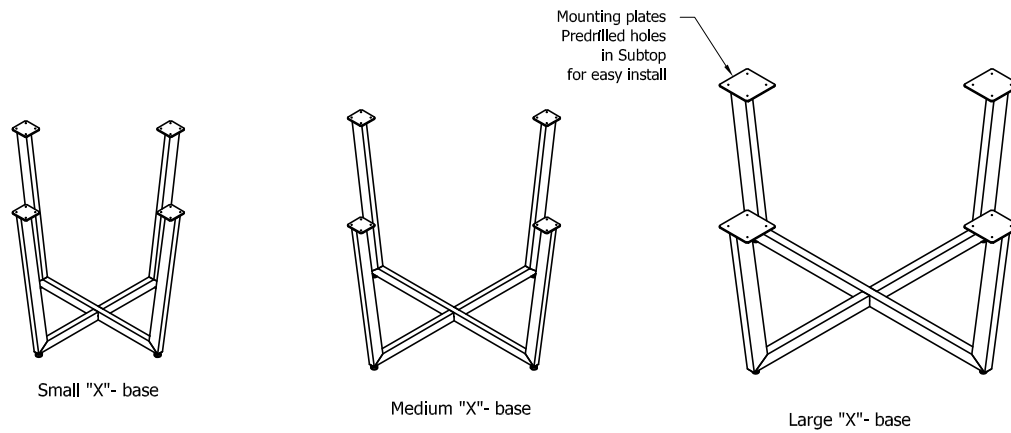
Top Construction



Highline Collection

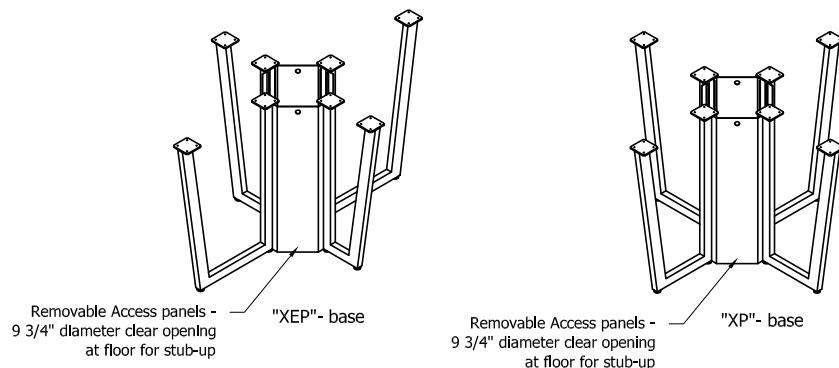
Meeting Tables

Base Construction



Construction

- Tubular steel "X" base
- Small "X" base: 42" / 48" Round and Square meeting tables
- Medium "X" base: 60" Round and Square meeting tables
- Large "X" base: 72" Round and Square meeting tables
- Small "XE" base: 42" Elliptical meeting tables
- Large "XE" base: 48" Elliptical meeting tables
- "XP" Wire Management base is automatically included when power and connectivity are specified on Square and Round meeting tables
- "XEP" Wire Management base is automatically included when power and connectivity are specified on Elliptical meeting tables

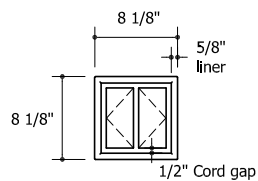


Highline Collection

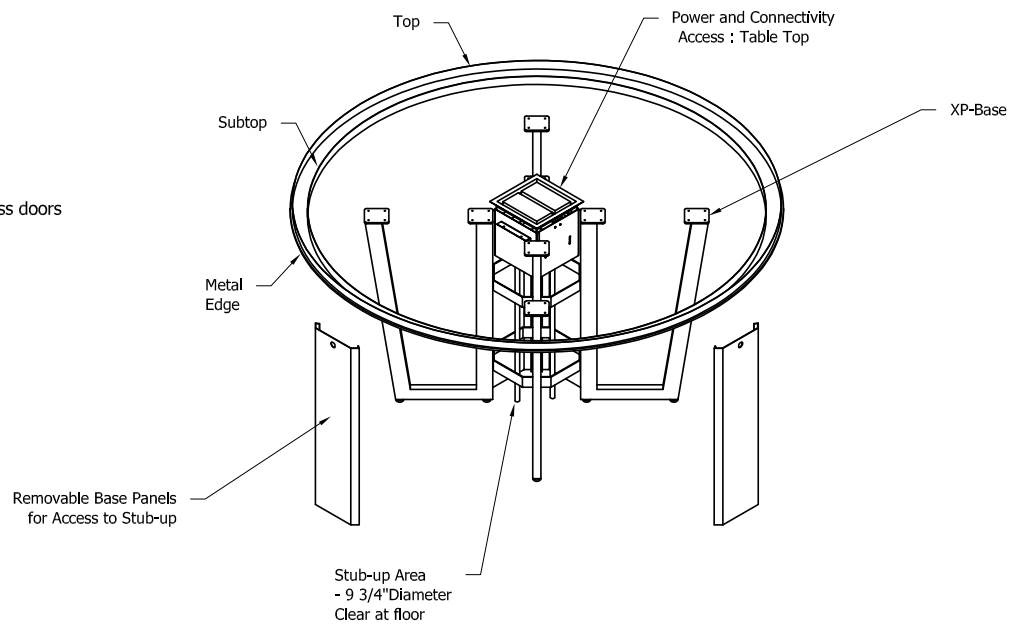
Meeting Tables

Power & Connectivity

Table Top



Metal Trim Liner with Matching Metal Access doors



Meeting Table Top access (shown populated)

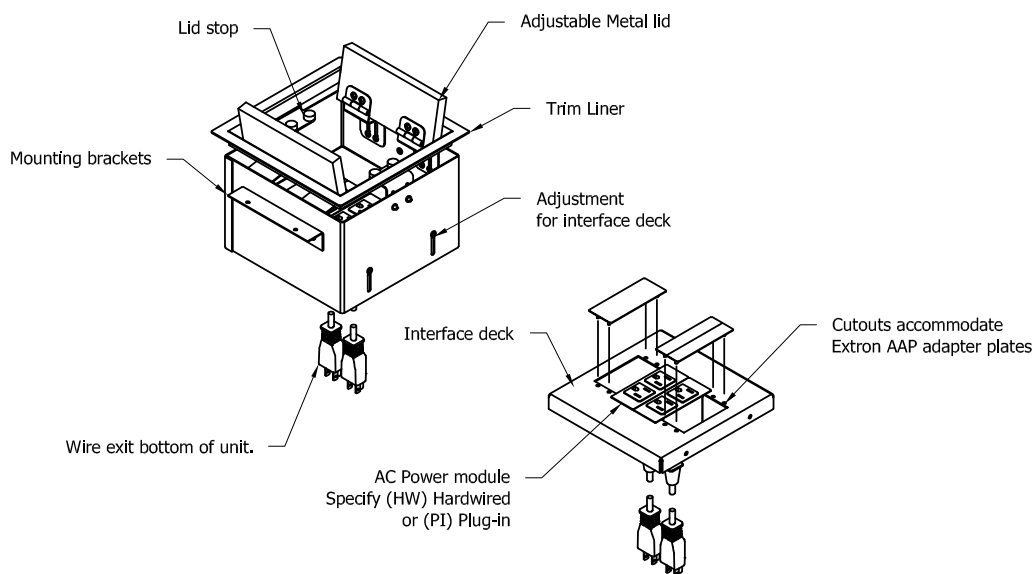
- Provided with 2 AC power modules - specify hardwired (HW) or plug in (PI), 1 double and 2 single space blank plates
- For additional connectivity, replace blank plates with Extron single or double space AAP plates as desired. For more information see extron.com

Highline Collection

Meeting Tables

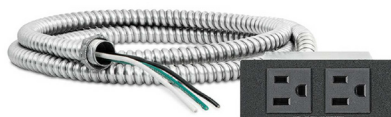
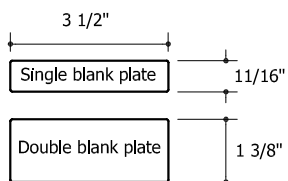
Power & Connectivity

Table Top



Meeting Table Top access

- Provided with 2 AC power modules - specify hardwired (HW) or plug in (PI), 1 double and 2 single space blank plates
- For additional connectivity replace blank plates with Extron single or double space AAP plates as desired. For more information see extron.com



- AC Module Hardwired (HW)
- 3/8" diameter x 6' long metal-clad cable with 6" pigtail
 - Additional knockouts for series wiring
 - 12A max per module



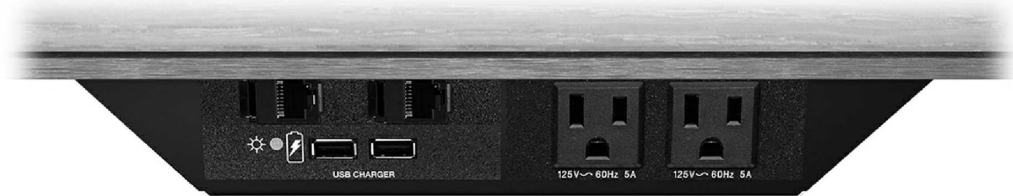
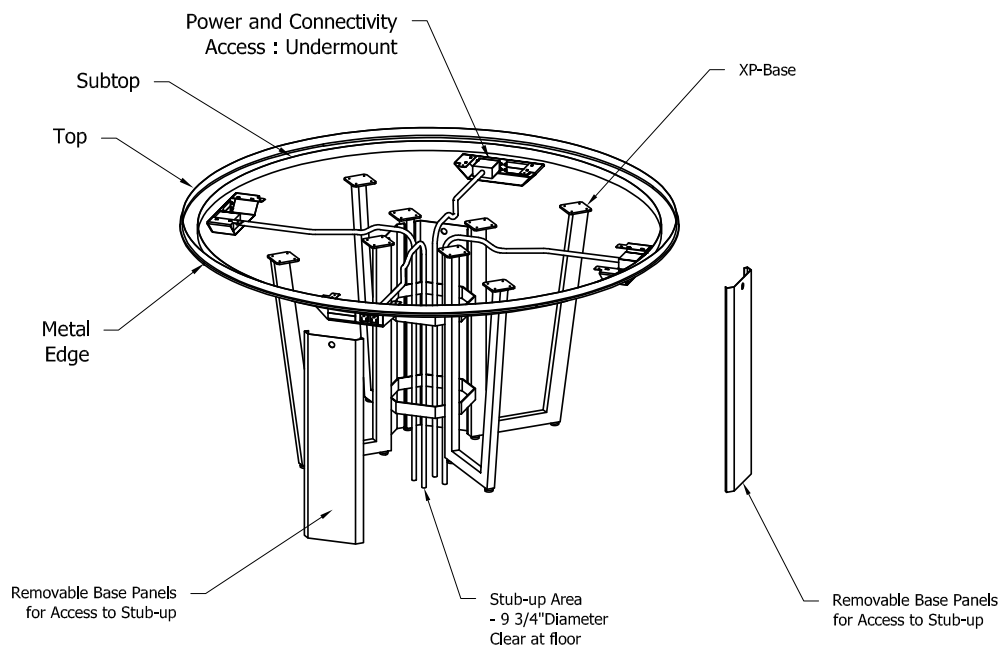
- AC Module Plug In (PI)
- 7.5' detachable soft cord
 - 6A max per module

Highline Collection

Meeting Tables

Power & Connectivity

Undermount



Undermount access (shown populated)

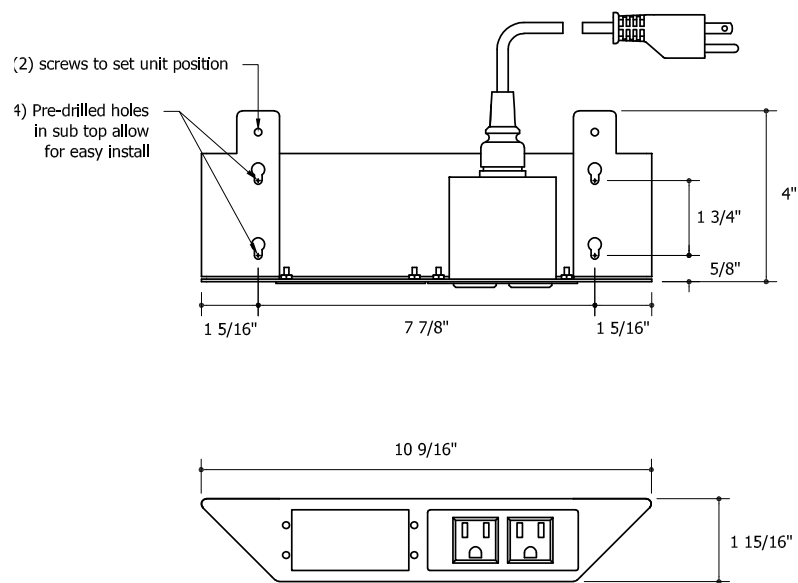
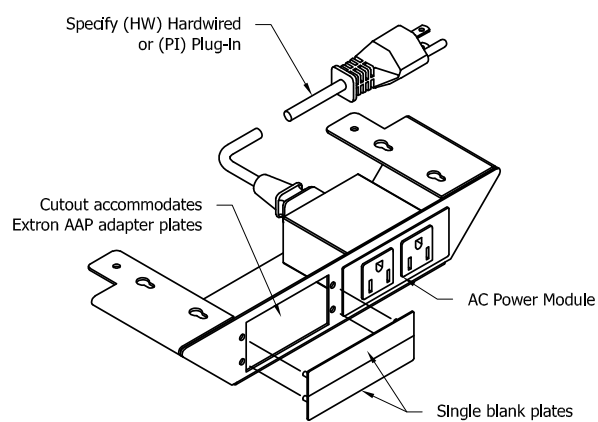
- Interior: Black powder coat metallic finish (MC12)
- Provided with 1 AC power module - specify hardwired (HW) or plug in (PI), and 2 single space blank plates
- For additional connectivity, replace blank plates with Extron single or double space AAP plates as desired. For more information see extron.com

Highline Collection

Meeting Tables

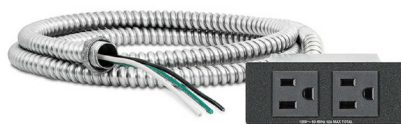
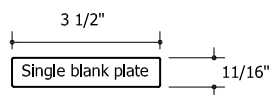
Power & Connectivity

Undermount



Undermount Access

- Interior: Black powder coat metallic finish (MC12)
- Provided with 1 AC power module - specify hardwired (HW) or plug in (PI), and 2 single space blank plates
- For additional connectivity, replace blank plates with Extron single or double space AAP plates as desired. For more information see extron.com



- AC Module Hardwired (HW)
- 3/8" diameter x 6' long metal-clad cable with 6" pigtail
 - Additional knockouts for series wiring
 - 12A max per module

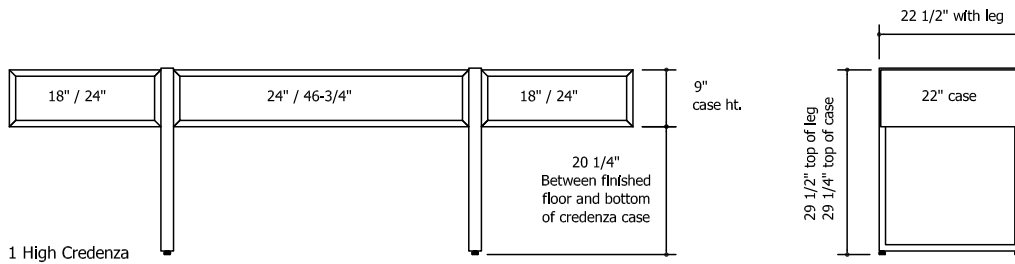
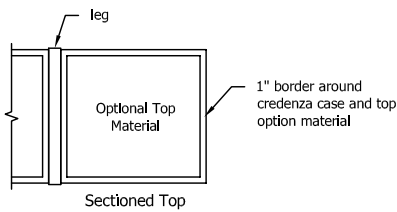
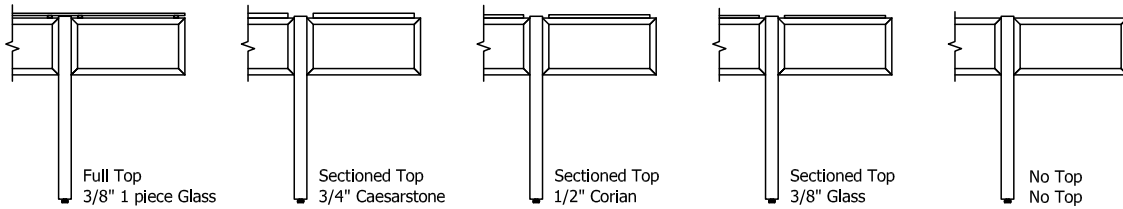


- AC Module Plug In (PI)
- 7.5' detachable soft cord
 - 6A max per module

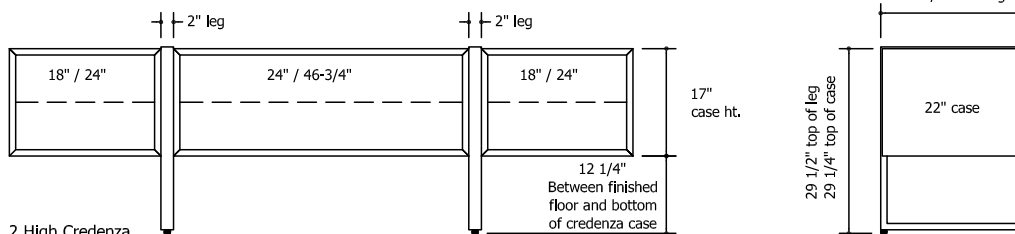
Highline Collection

Credenzas

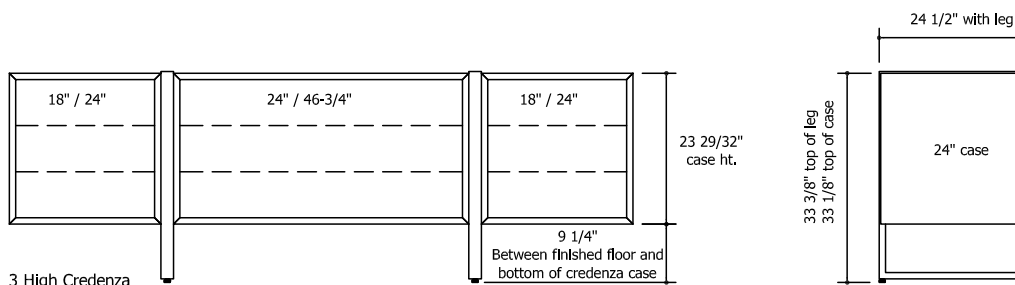
Elevations and Optional Tops



1 High Credenza



2 High Credenza

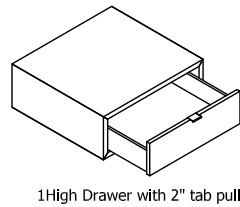
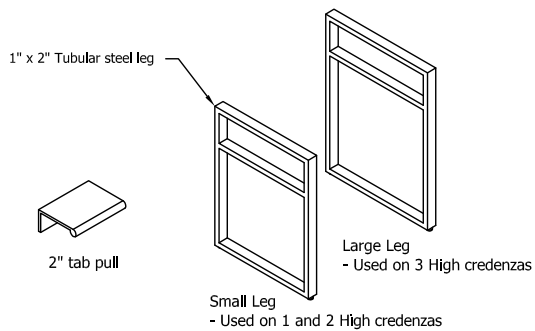


3 High Credenza

Highline Collection

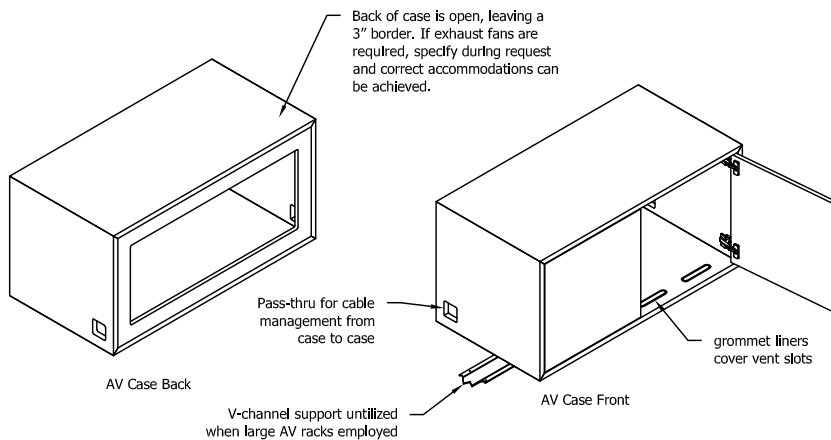
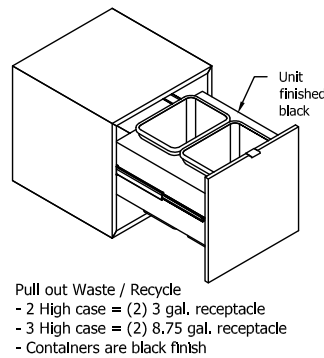
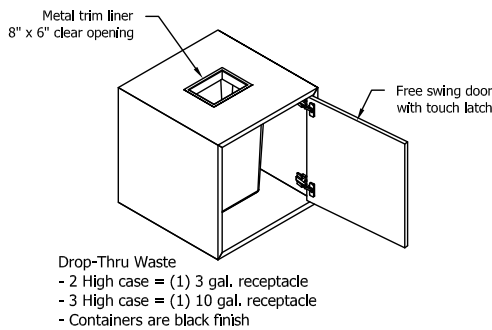
Credenza

Leg and Case Details



Credenza Notes

- Pulls and trash liners come in the specified metal finish
- All drawers have a 2" tab pull located in the center of the top edge of each drawer front
- All drawers use partial extension, self-closing undermount slides
- Pull-out trash units use full extension side mount slides
- All doors use free swing hinges and touch latches
- All credenza top material finishes are secured to the case with silicone except for tops finished with full clear glass (FG GC00)
- Full clear glass (FG GC00) rests atop of 3/8" bumpers located on top of case
- Drop-through trash option is available with all top options except with full clear glass (FG GC00)



AV CASE

- All AV cases have an open back with a 3" border
- Coordinate AV requirements with the interior clearance dimensions provided below to ensure fit

18" Case

14.25" wide x 22.18" deep x 21.15" high

24" Case

20.25" wide x 22.18" deep x 21.15" high

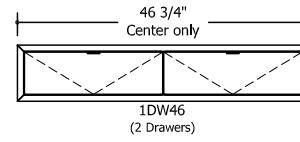
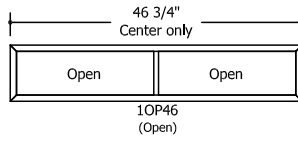
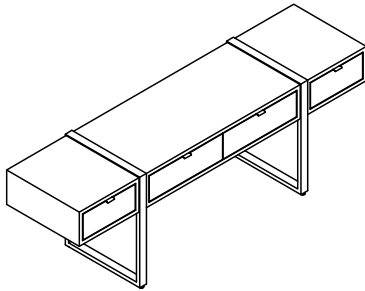
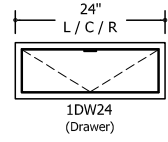
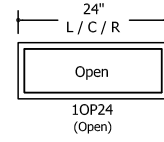
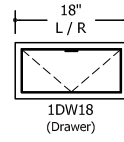
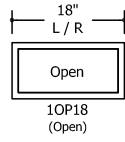
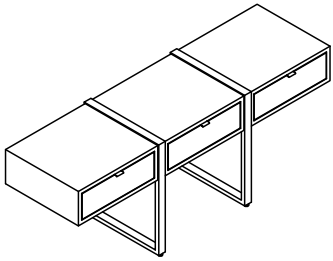
47" Case

41.25" wide x 22.18" deep x 21.15" high

Highline Collection

1 High Credenza

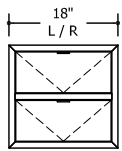
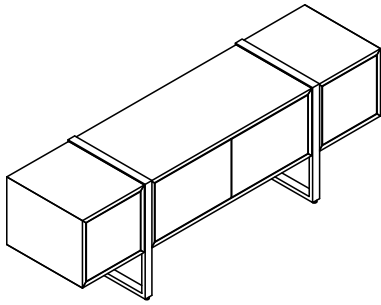
Positional Configurations



Highline Collection

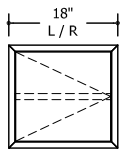
2 High Credenzas

Positional Configurations



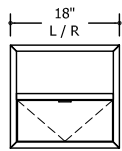
18"
L / R

2DW18
(2 Drawers)



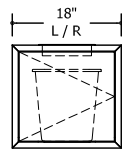
18"
L / R

2DR18
(Door w/adj. Shelf)



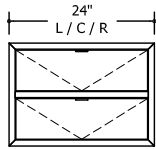
18"
L / R

2OW18
(Open over Drawer)



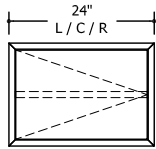
18"
L / R

2TT18
(Trash thru Top
w/1 single can only)



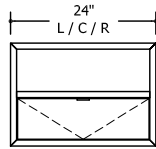
24"
L / C / R

2DW24
(2 Drawers)



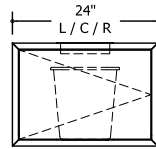
24"
L / C / R

2DR24
(Door w/adj. Shelf)



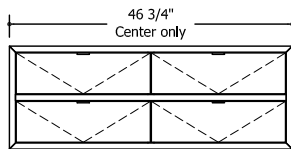
24"
L / C / R

2OW24
(Open over Drawer)



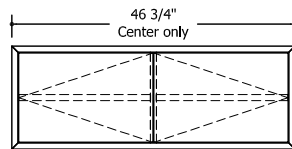
24"
L / C / R

2TT24
(Trash thru Top
w/1 single can only)



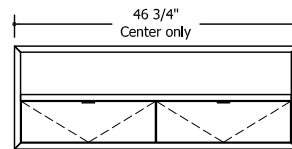
46 3/4"
Center only

2DW46
(4 Drawers)



46 3/4"
Center only

2DR46
(2 Doors w/2 adj. Shelves)

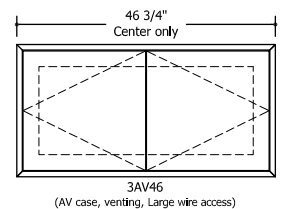
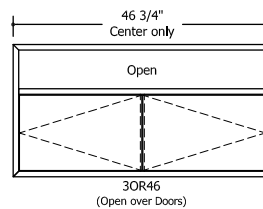
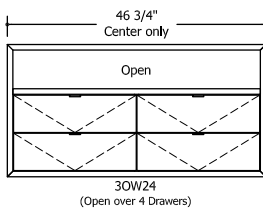
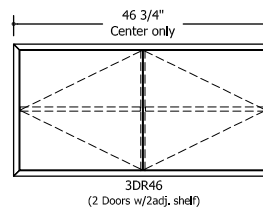
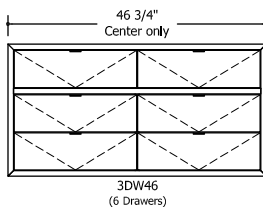
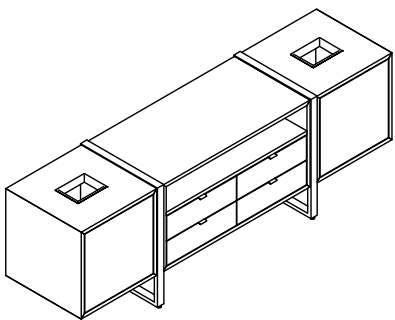
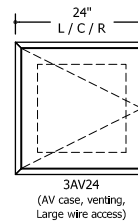
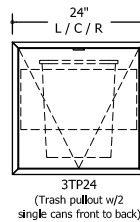
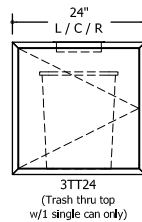
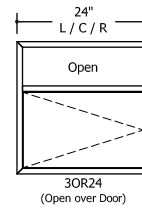
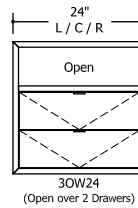
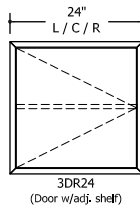
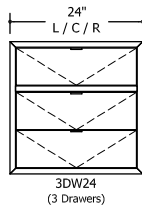
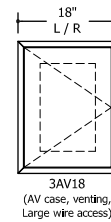
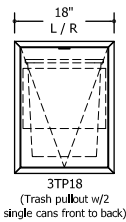
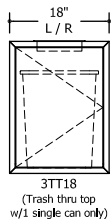
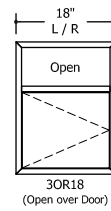
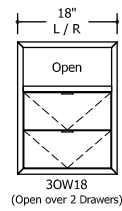
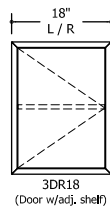
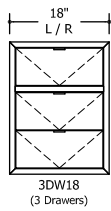
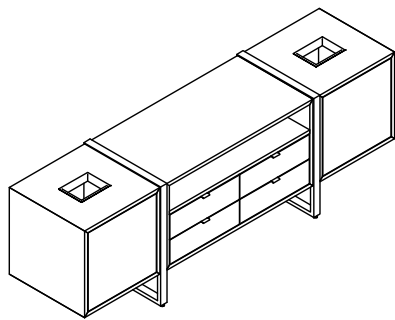


46 3/4"
Center only

2OW46
(Open over 2 Drawers)

Highline Collection

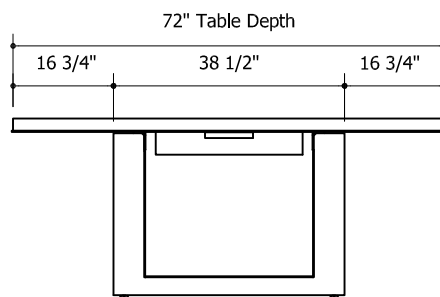
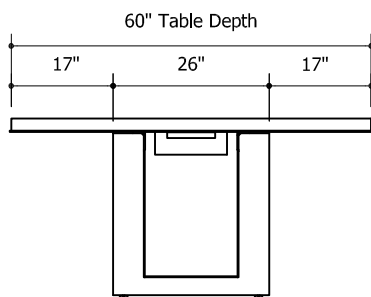
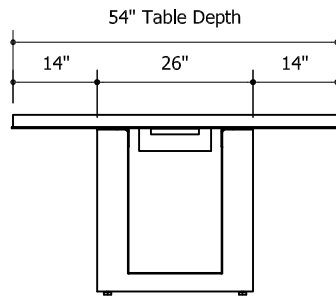
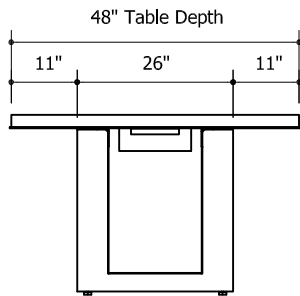
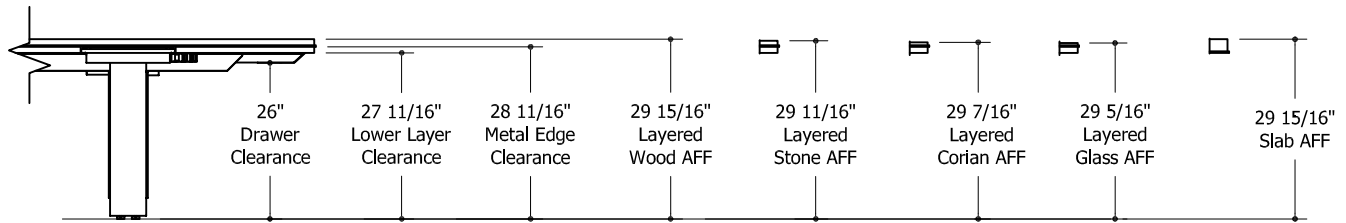
3 High Credenzas Positional Configurations



Highline Fifty Collection

Conference Tables

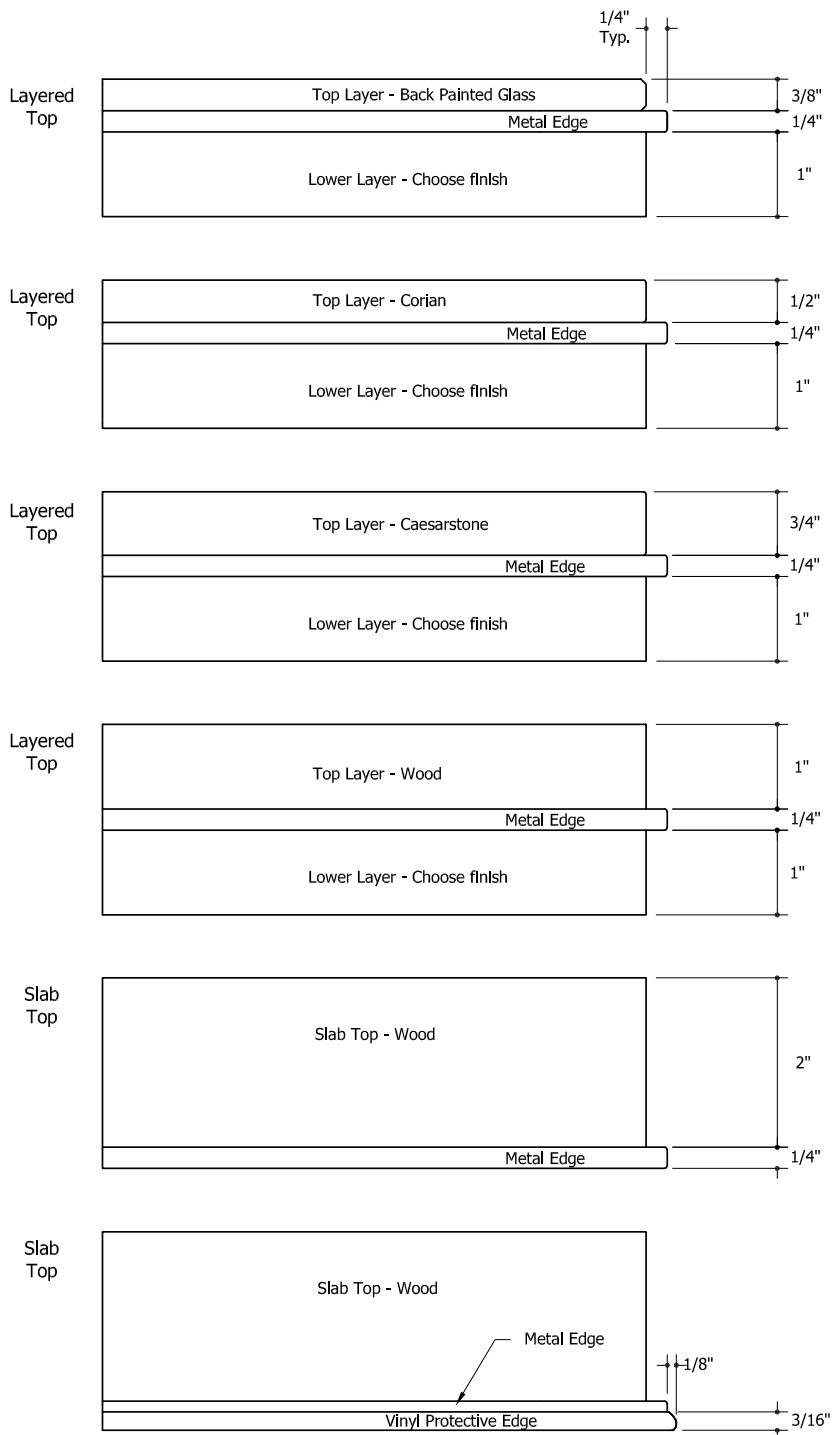
Overall Elevations and Clearance



Highline Fifty Collection

Conference Tables

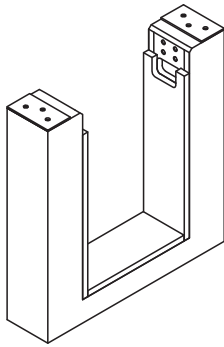
Top Construction



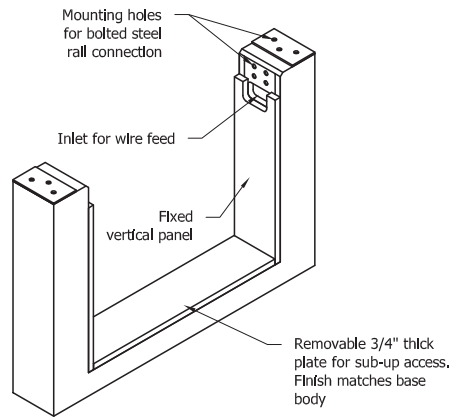
Highline Fifty Collection

Conference Tables

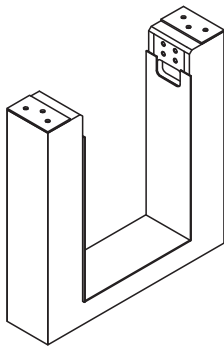
Base Construction



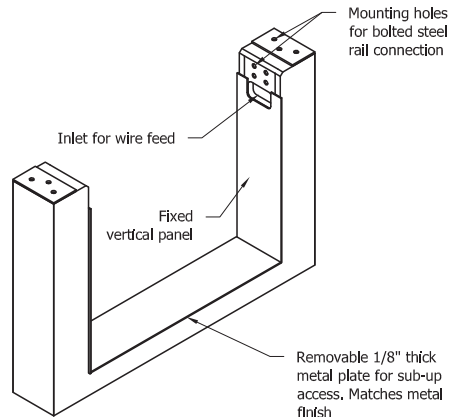
Small base : 42" / 48" / 54" / 60" Deep Tables
"ON" Open Base, no metal trim



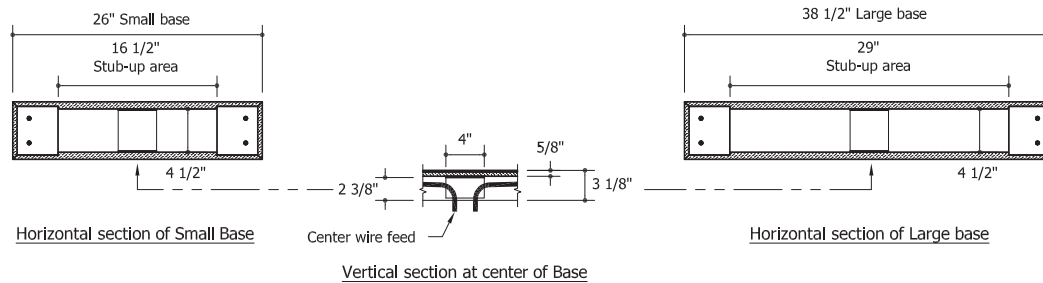
Large base : 72" Deep Tables
"ON" Open Base, no metal trim



Small base : 42" / 48" / 54" / 60" Deep Tables
"OT" Open Base, with metal trim

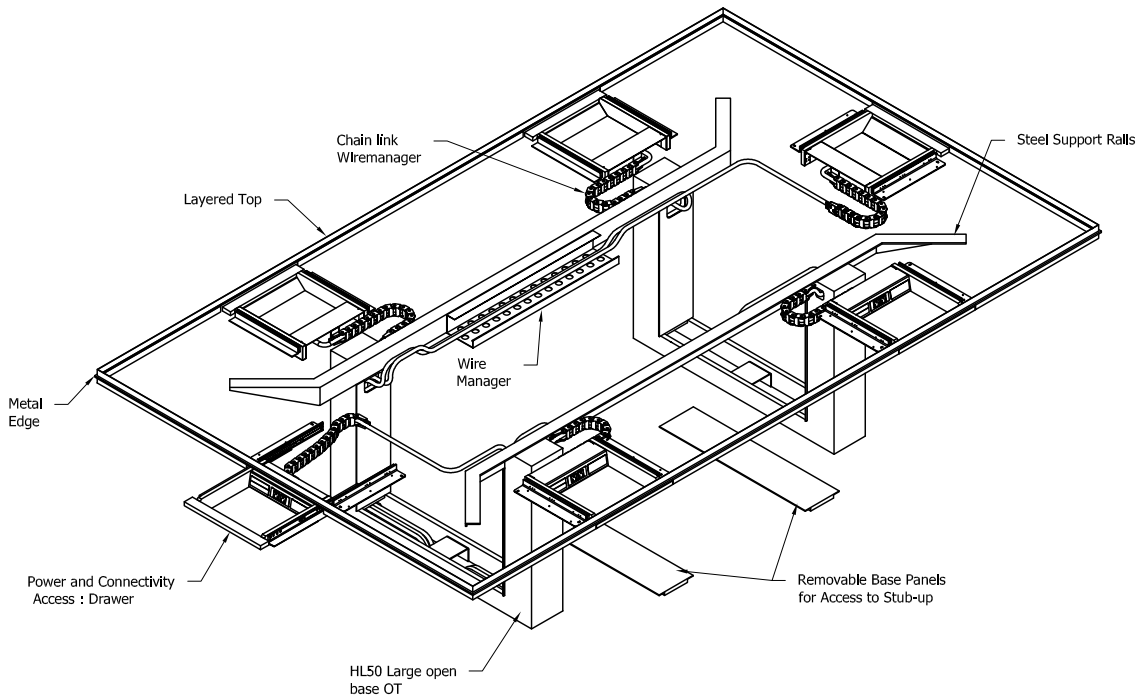


Large base : 72" Deep Tables
"OT" Open Base, with metal trim



Highline Fifty Collection

Conference Tables
Power & Connectivity
Drawers

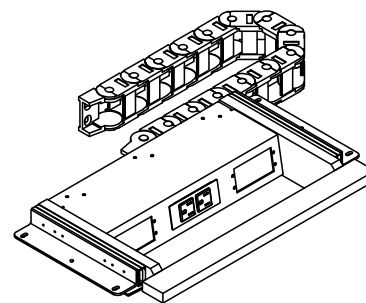
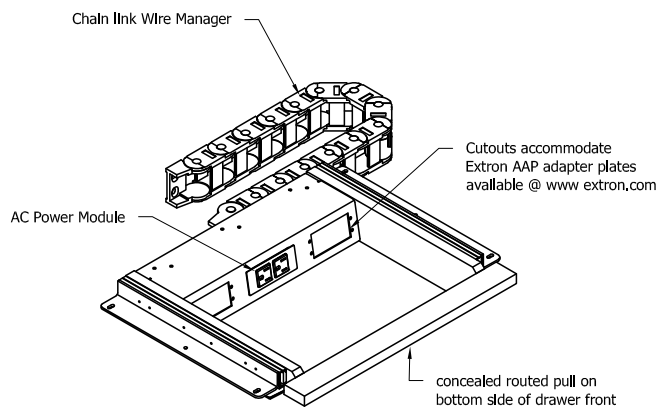


Drawer (shown populated)

- Interior: Black powder coat metallic finish (MC12)
- Provided with 1 AC power module - specify hardwired (HW) or plug in (PI), and 2 single space blank plates
- For additional connectivity, replace blank plates with Extron single or double space AAP plates as desired. For more information see extron.com

Highline Fifty Collection

Conference Tables Power & Connectivity Drawers

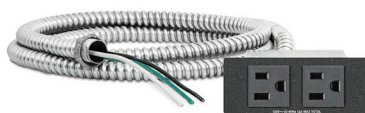
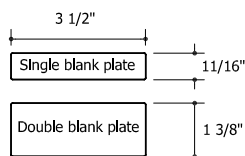


Large Drawer

- 6 1/2" deep x 12 3/4" wide flat storage with 2 1/2" interior height
- 3/8" gap above drawer for cord exit
- Concealed routed finger pull under front
- Used at table ends
- Used along the length of 60" / 72" deep tables
- Interior drawer finish: Black powder coat metallic (MC12)
- Drawer front matches lower layer finish
- Provided with 1 AC power module - specify hardwired (HW) or plug in (PI), and 2 single space blank plates

Small Drawer

- 1 7/8" deep x 12 3/4" wide flat storage with 2 1/2" interior height
- 3/8" gap above drawer for cord exit
- Concealed routed finger pull under front
- Used along the length of 48" / 54" deep tables
- Interior drawer finish: Black powder coat metallic (MC12)
- Drawer front matches lower layer finish
- Provided with 1 AC power module - specify hardwired (HW) or plug in (PI), and 2 single space blank plates



- AC Module Hardwired (HW)**
- 3/8" diameter x 6' long metal-clad cable with 6" pigtail
 - Additional knockouts for series wiring
 - 12A max per module



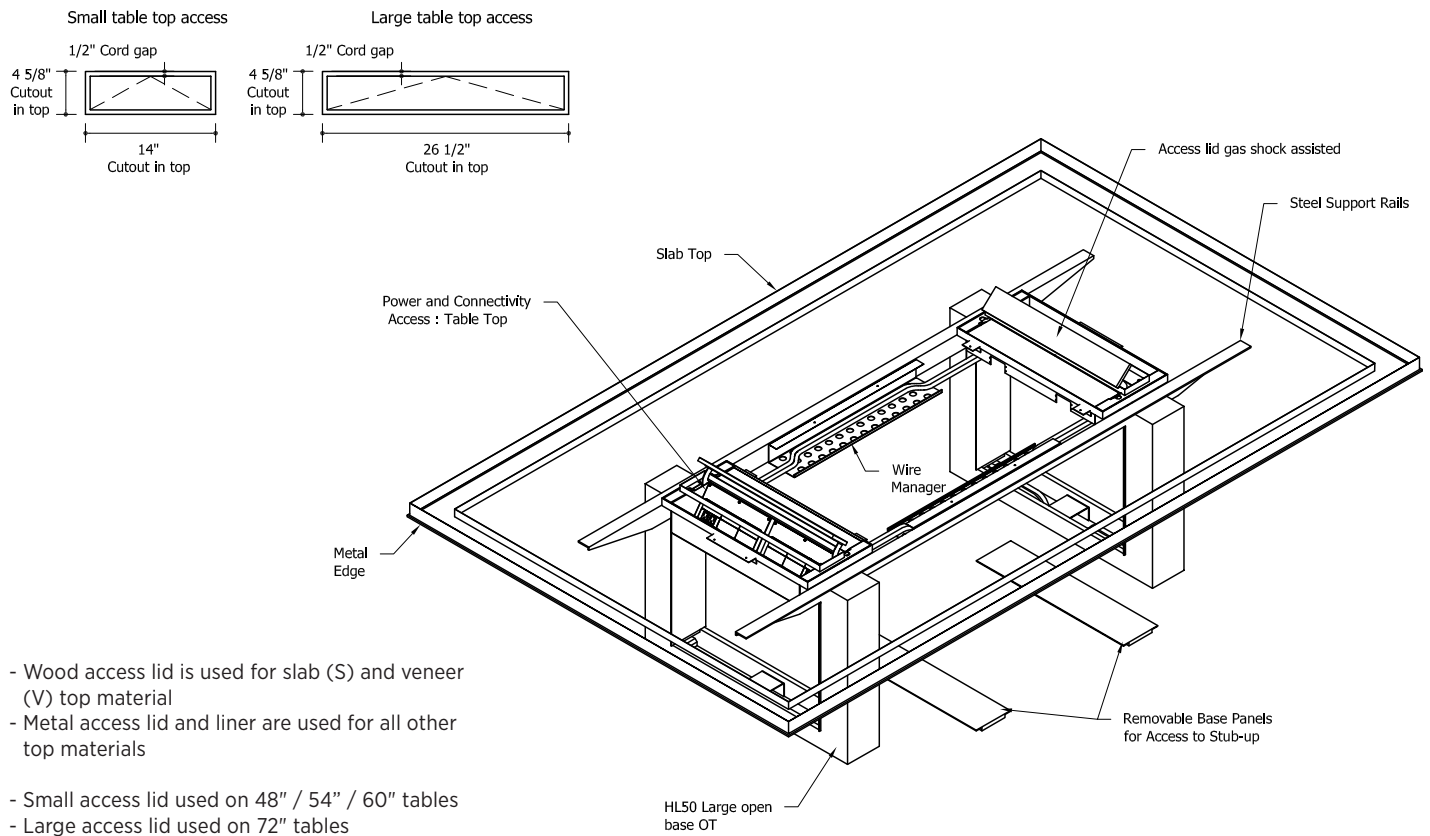
- AC Module Plug In (PI)**
- 7.5' detachable soft cord
 - 6A max per module

Highline Fifty Collection

Conference Tables

Power & Connectivity

Table Top: Small and Large



Small Table Top access (shown populated)

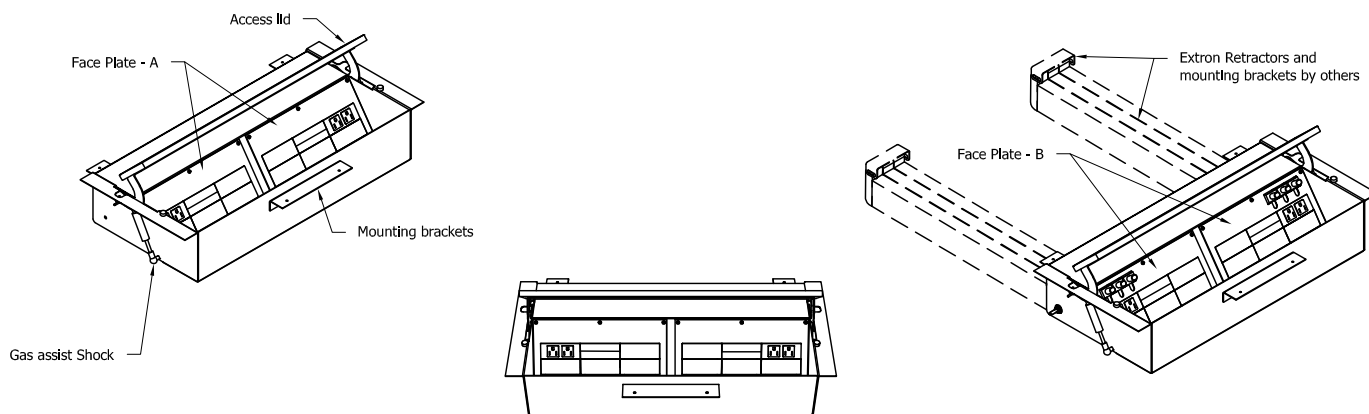


Small Table Top access (shown with optional faceplate)

- Provided with 2 AC power modules - specify hardwired (HW) or plug in (PI), 3 double space and 2 single space blank plates
- For additional connectivity, replace blank plates with Extron single or double space AAP plates as desired. For more information see extron.com

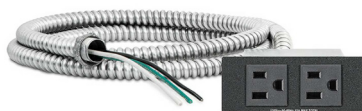
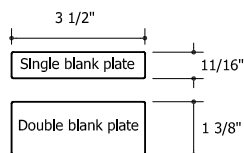
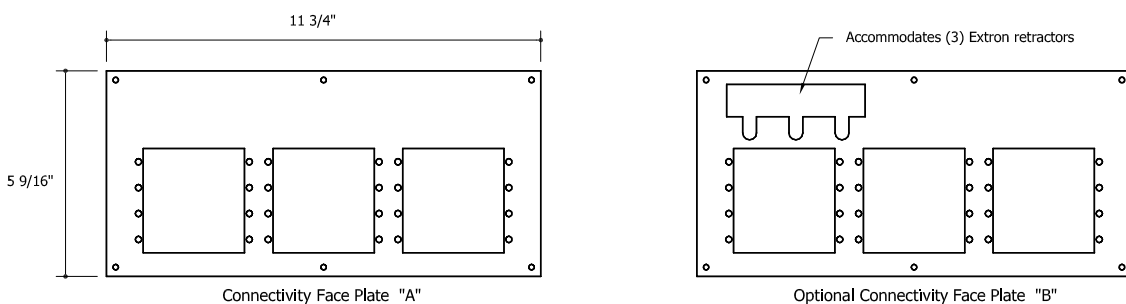
Highline Fifty Collection

Conference Tables Power & Connectivity Table Top: Large



- Interior: Black powder coat metallic finish (MC12)
- Used on 48" / 54" / 60" width tables
- Connectivity: Face Plate "A" Qty 2 is standard
- Connectivity: Face Plate "B" Is used with Extron retractors
- Face Plates are removable to allow for easy population by AV installer

- Provided with 2 AC power modules - specify hardwired (HW) or plug in (PI), 8 double space and 4 single space blank plates
- For additional connectivity, replace blank plates with Extron single or double space AAP plates as desired. For more information see extron.com



- AC Module Hardwired (HW)
- 3/8" diameter x 6' long metal-clad cable with 6" pigtail
 - Additional knockouts for series wiring
 - 12A max per module



- AC Module Plug In (PI)
- 7.5' detachable soft cord
 - 6A max per module

Highline Fifty Collection

Conference Tables Power & Connectivity Table Top Small

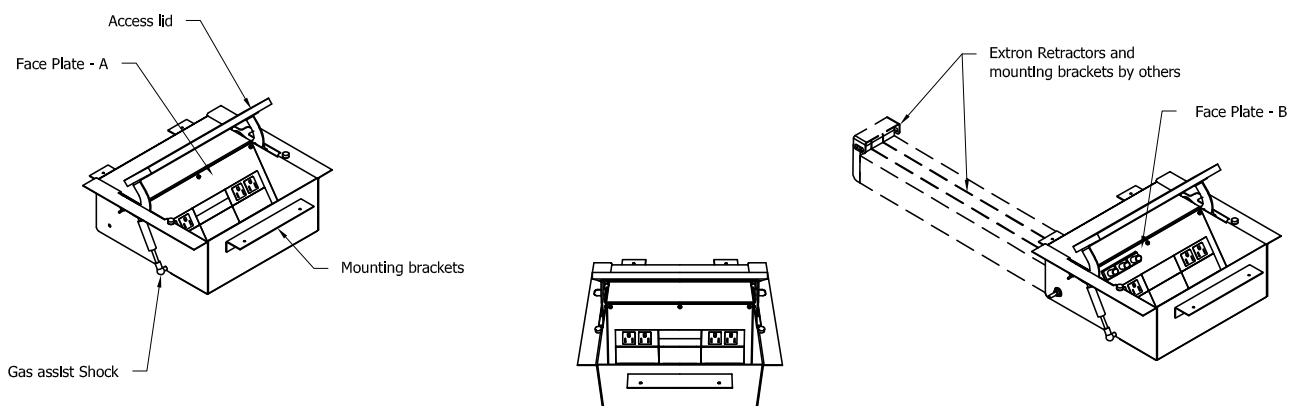
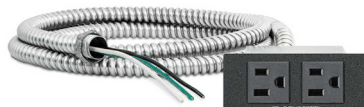
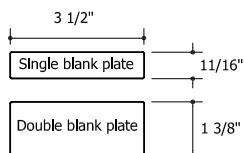
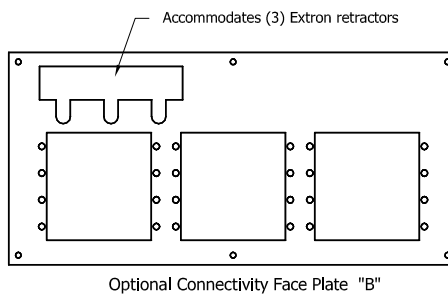
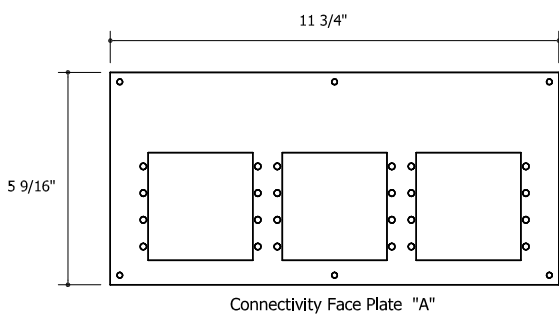


Table Top Access

- Interior: Black powder coat metallic finish (MC12)
- Used on 72" tables
- Connectivity: Face Plate "A" Qty 1 is standard
- Connectivity: Face Plate "B" Is used with Extron retractors
- Face Plates are removable to allow for easy population by AV installer

- Provided with 2 AC power modules - specify hardwired (HW) or plug in (PI), 4 double space and 2 single space blank plates
- For additional connectivity, replace blank plates with Extron single or double space AAP plates as desired. For more information see extron.com



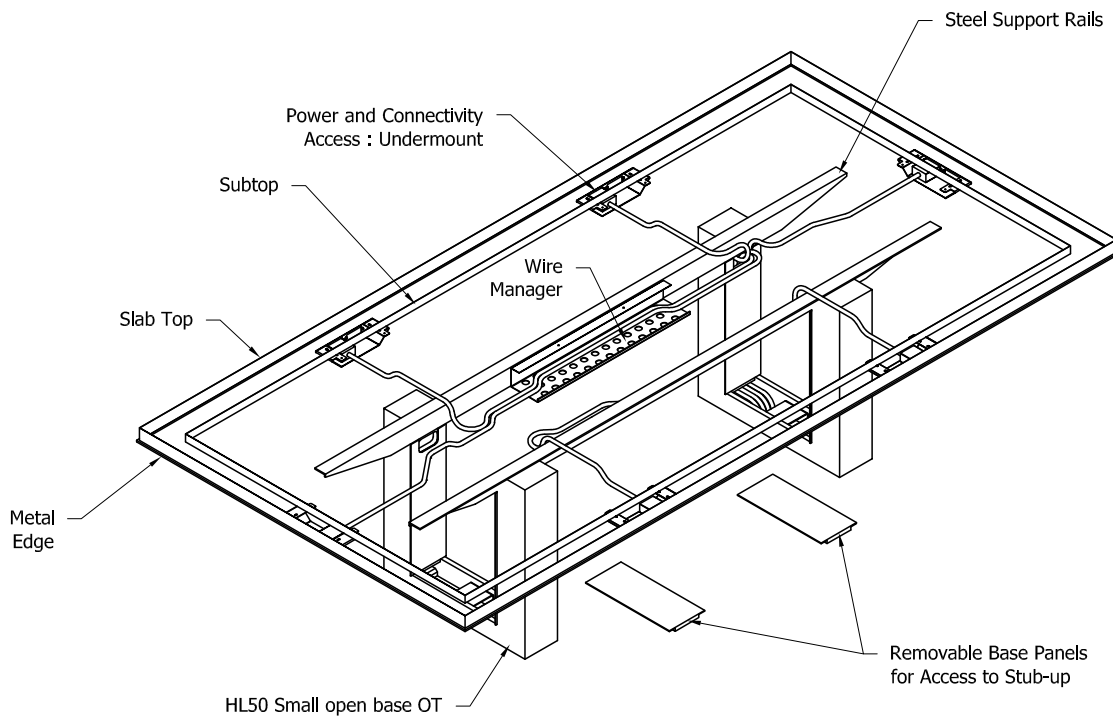
- AC Module Hardwired (HW)
- 3/8" diameter x 6' long metal-clad cable with 6" pigtail
 - Additional knockouts for series wiring
 - 12A max per module



- AC Module Plug In (PI)
- 7.5' detachable soft cord
 - 6A max per module

Highline Fifty Collection

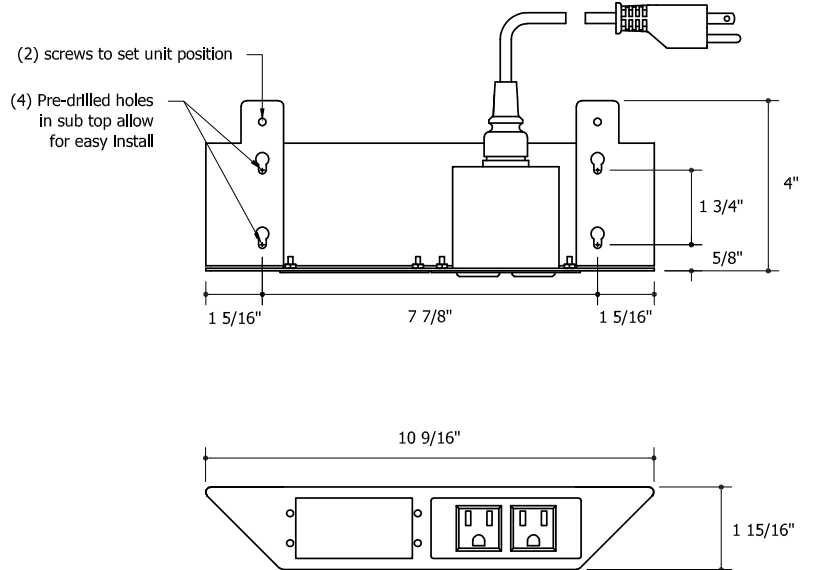
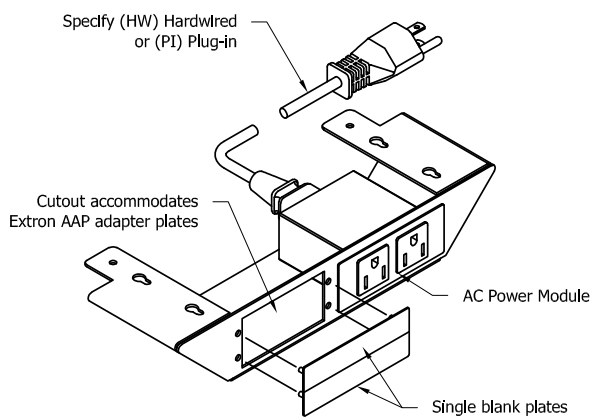
Conference Tables
Power & Connectivity
Undermount



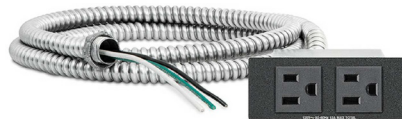
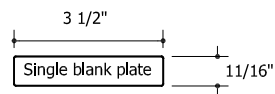
- Undermount access (shown populated)
- Black powder coat metallic finish (MC12)
 - Provided with 1 AC power module - specify hardwired (HW) or plug in (PI), and 2 single space blank plates
 - For additional connectivity replace blank plates with Extron single or double space AAP plates as desired. For more information see extron.com

Highline Fifty Collection

Conference Tables Power & Connectivity Undermount



- Black powder coat metallic finish (MC12)
- Provided with 1 AC power module - specify hardwired (HW) or plug in (PI), and 2 single space blank plates
- For additional connectivity replace blank plates with Extron single or double space AAP plates as desired. For more information see extron.com



- AC Module Hardwired (HW)
- 3/8" diameter x 6' long metal clad cable with 6" pigtail
 - Additional knockouts for series wiring
 - 12A max per module

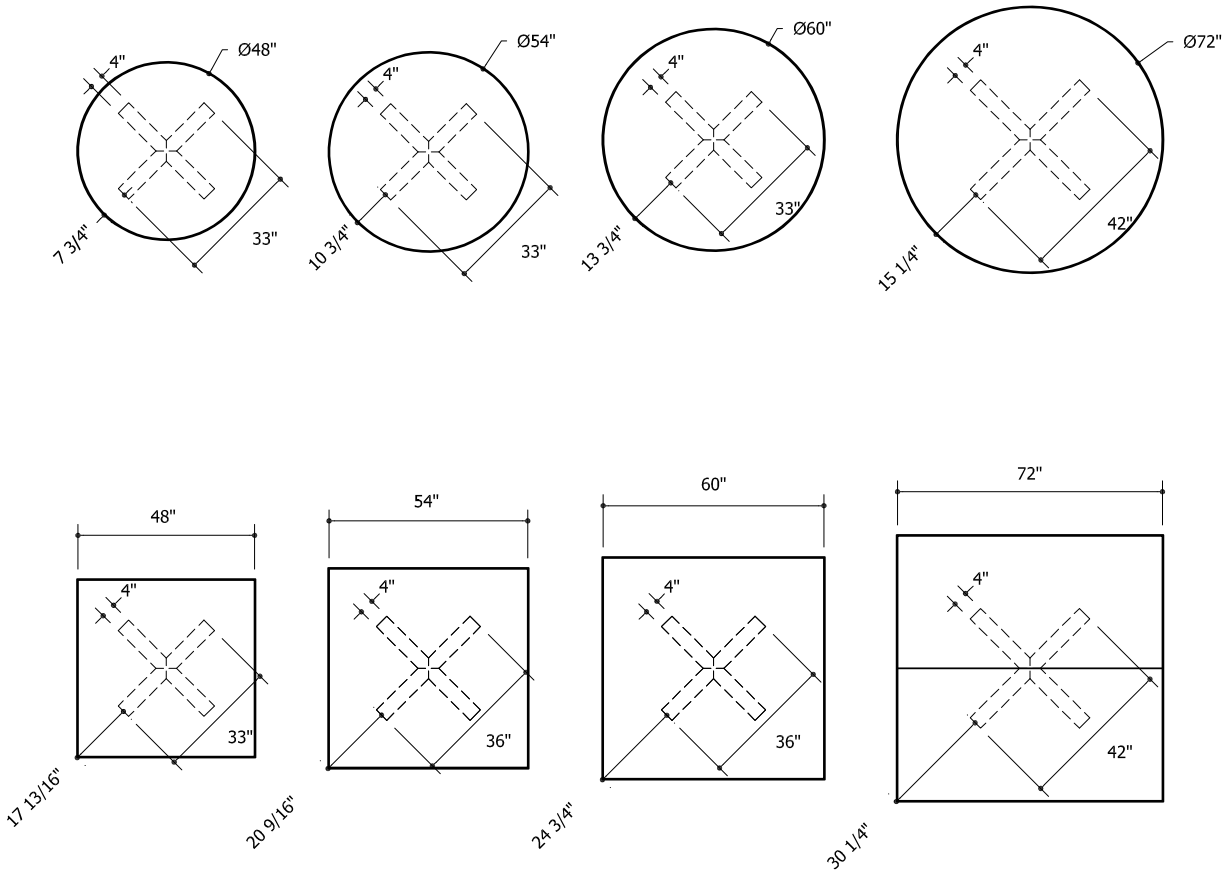
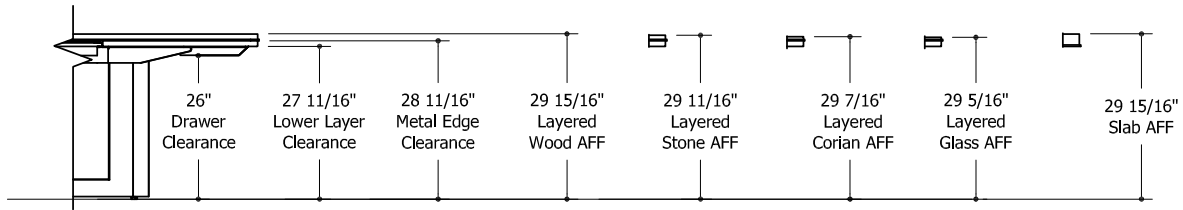


- AC Module Plug In (PI)
- 7.5' detachable soft cord
 - 6A max per module

Highline Fifty Collection

Meeting Tables

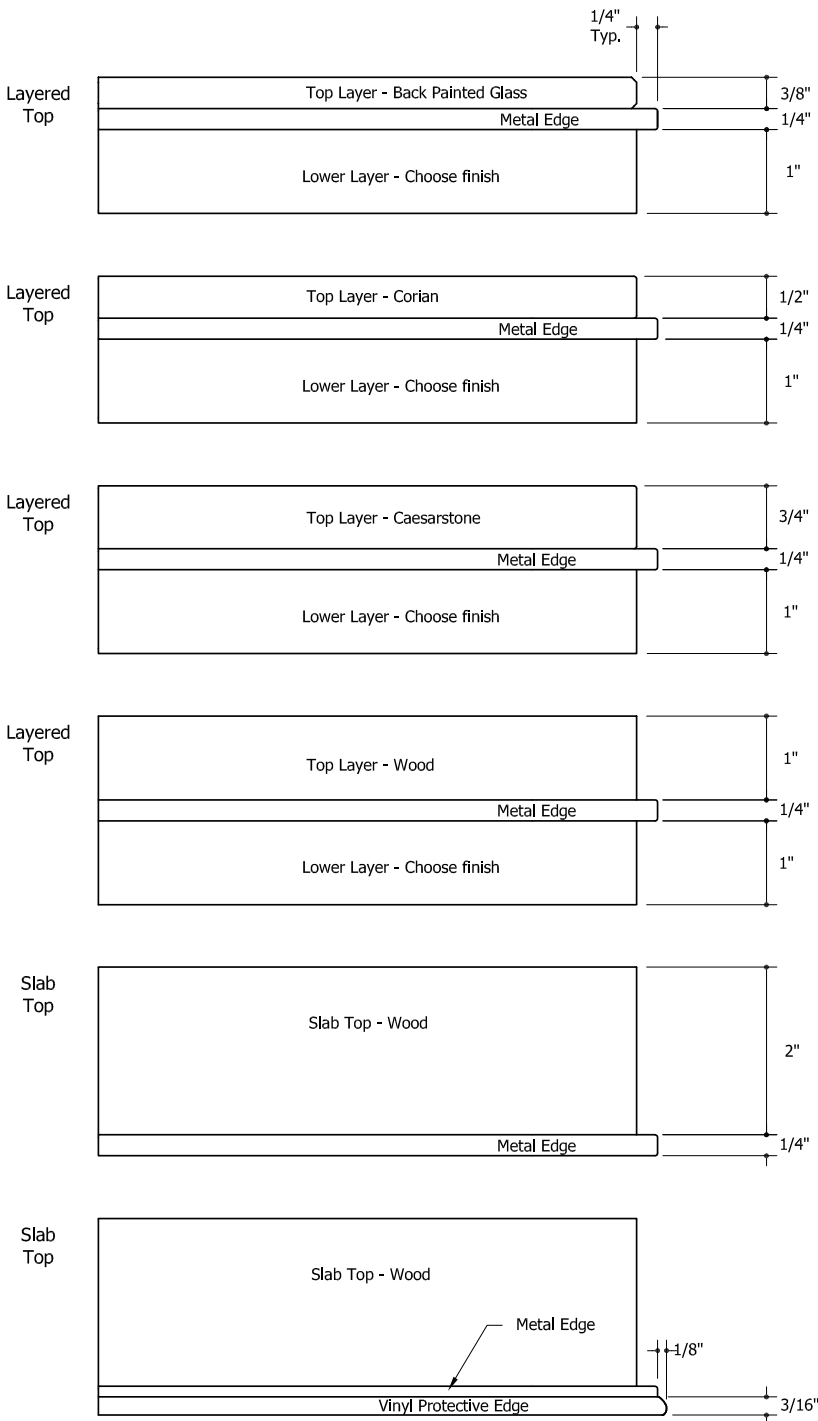
Overall Elevations and Clearance



Highline Fifty Collection

Meeting Tables

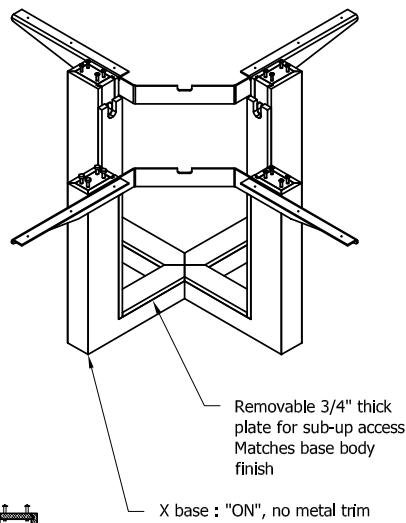
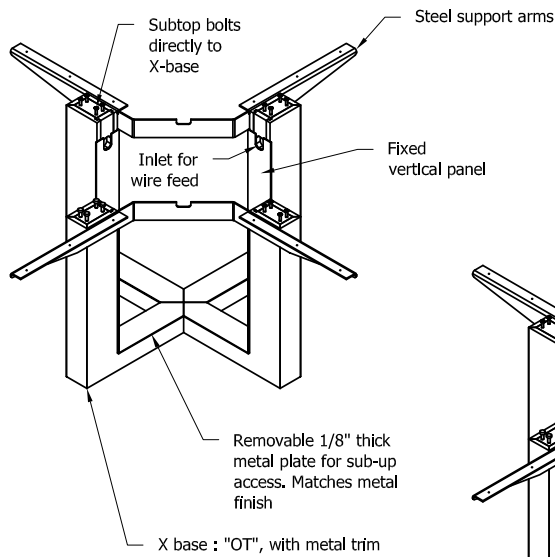
Top Construction



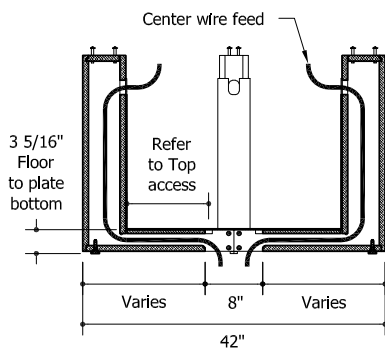
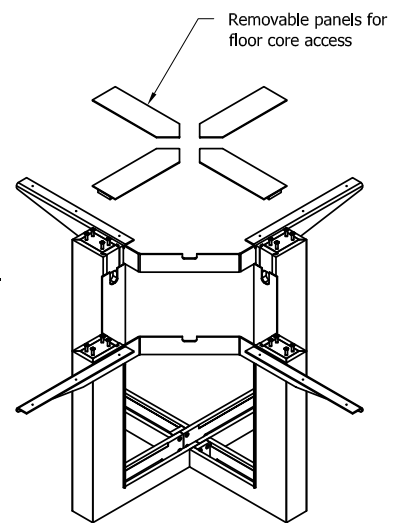
Highline Fifty Collection

Meeting Tables

Base Construction

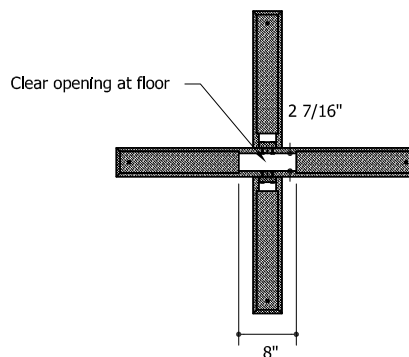


- HL03 X base :
- 33" fits - 48" Round
 - 48" Square
 - 54" Round
- 36" fits - 54" Square
 - 60" Round
 - 60" Square
- 42" fits - 72" Round
 - 72" Square



Vertical section at center of Base

- Top access:
- 33" - 2 3/8" x 6 7/8"
 - 36" - 2 3/8" x 8 3/8"
 - 42" - 2 3/8" x 11 3/8"



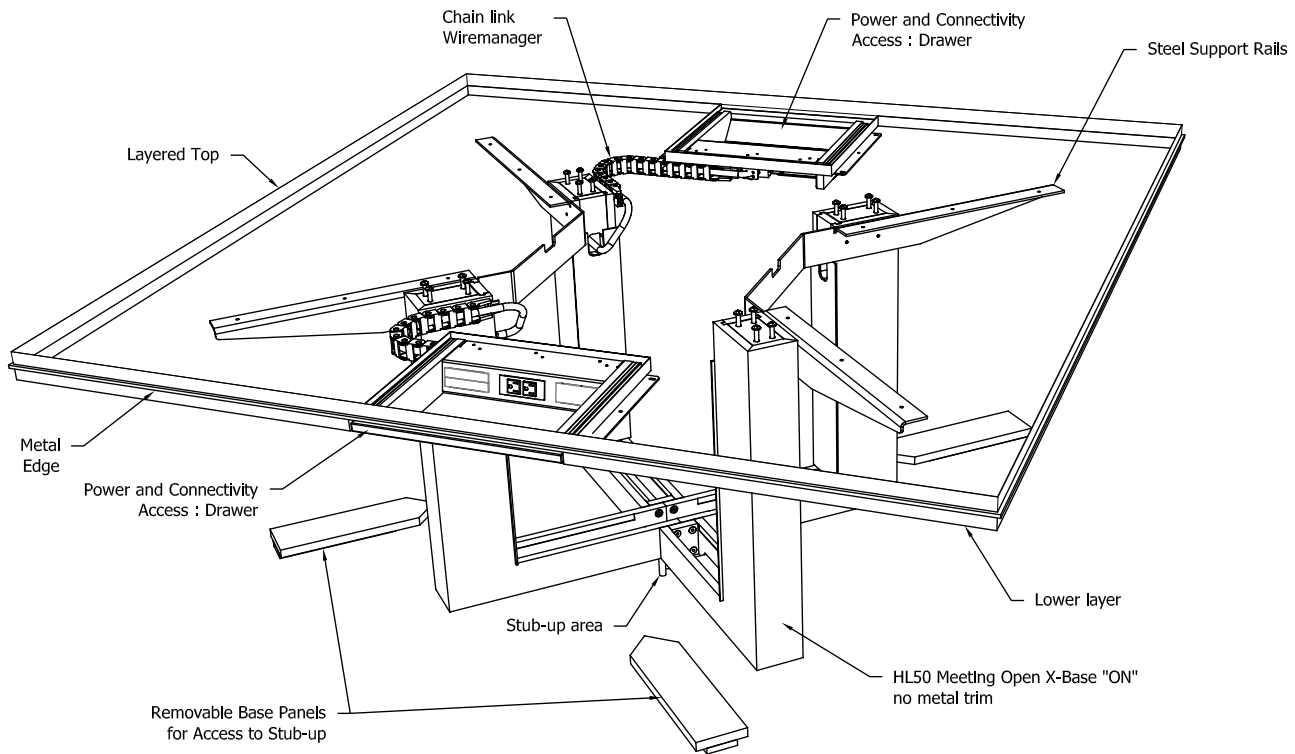
Horizontal section of typical base

Highline Fifty Collection

Meeting Tables

Power & Connectivity

Drawers



Drawer (shown populated)

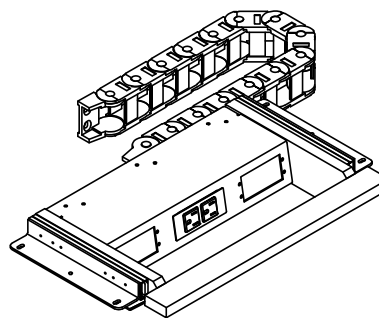
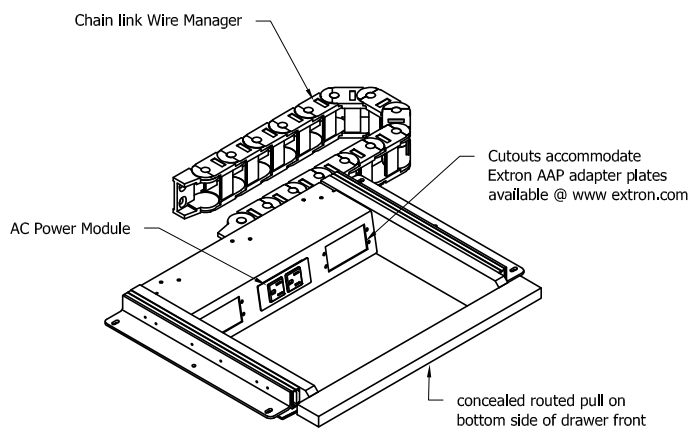
- Black powder coat metallic finish (MC12)
- Provided with 1 AC power module - specify hardwired (HW) or plug in (PI), and 2 single space blank plates
- For additional connectivity replace blank plates with Extron single or double space AAP plates as desired. For more information see extron.com

Highline Fifty Collection

Meeting Tables

Power & Connectivity

Drawers

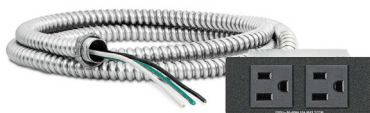
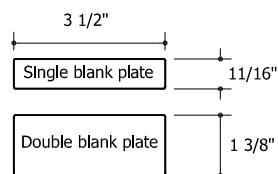


Large Drawer

- 6 1/2" deep x 12 3/4" wide flat storage with 2 1/2" interior height
- 3/8" gap above drawer for cord exit.
- Concealed routed finger pull under front
- Used at table ends
- Used along the length of 60" / 72" deep tables
- Interior drawer finish: Black powder coat metallic (MC12)
- Drawer front matches lower layer finish
- Provided with 1 AC power module - specify hardwired (HW) or plug in (PI), and 2 single space blank plates

Small Drawer

- 1 7/8" deep x 12 3/4" wide flat storage with 2 1/2" interior height
- 3/8" gap above drawer for cord exit
- Concealed routed finger pull under front
- Used along the length of 48" / 54" deep tables
- Interior drawer finish: Black powder coat metallic (MC12)
- Drawer front matches lower layer finish
- Provided with 1 AC power module - specify hardwired (HW) or plug in (PI), and 2 single space blank plates



AC Module Hardwired (HW)

- 3/8" diameter x 6' long metal clad cable with 6" pigtail
- Additional knockouts for series wiring
- 12A max per module



AC Module Plug In (PI)

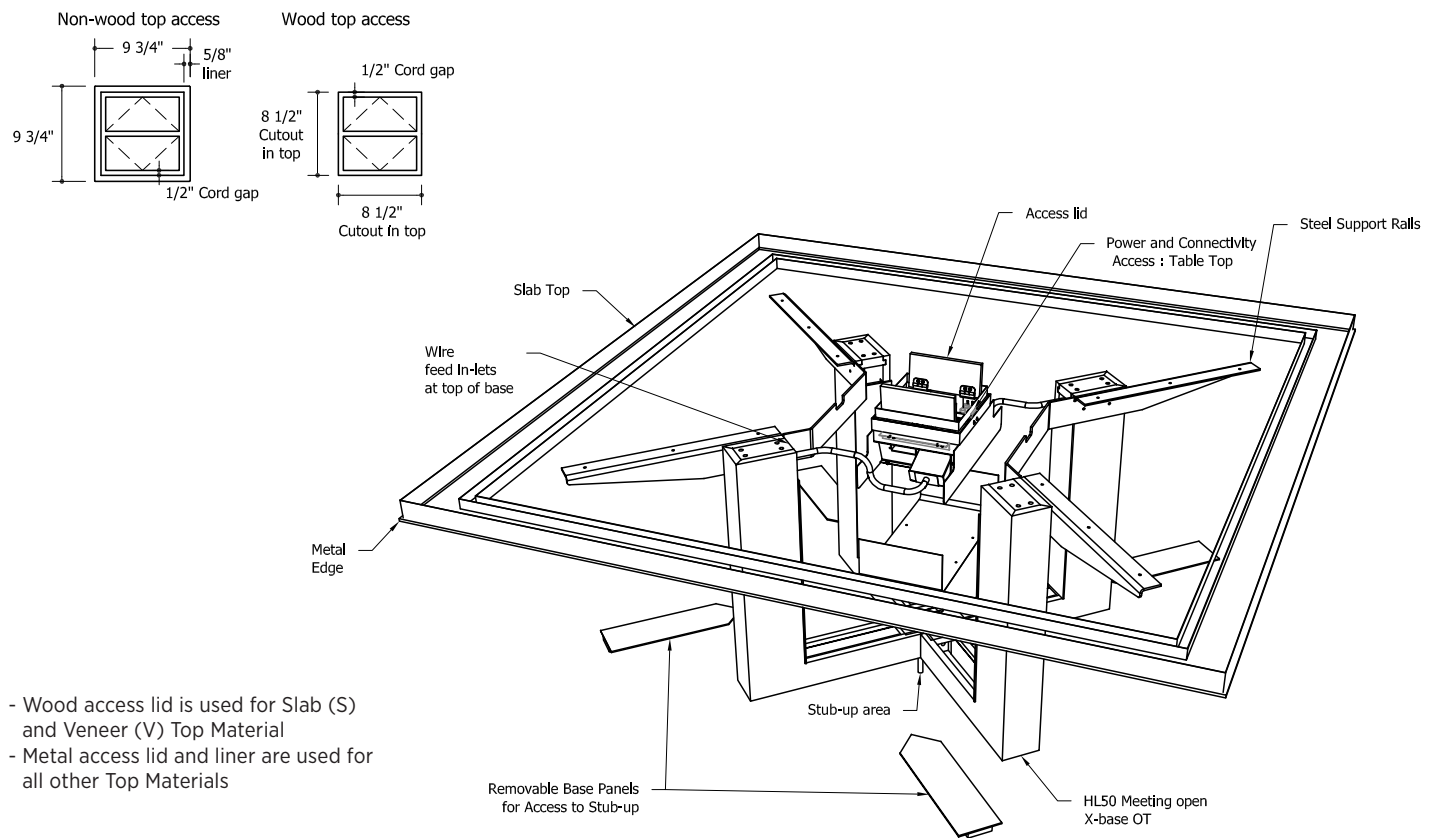
- 7.5' detachable soft cord
- 6A max per module

Highline Fifty Collection

Meeting Tables

Power & Connectivity

Table Top



Meeting Table Top Access (shown populated)

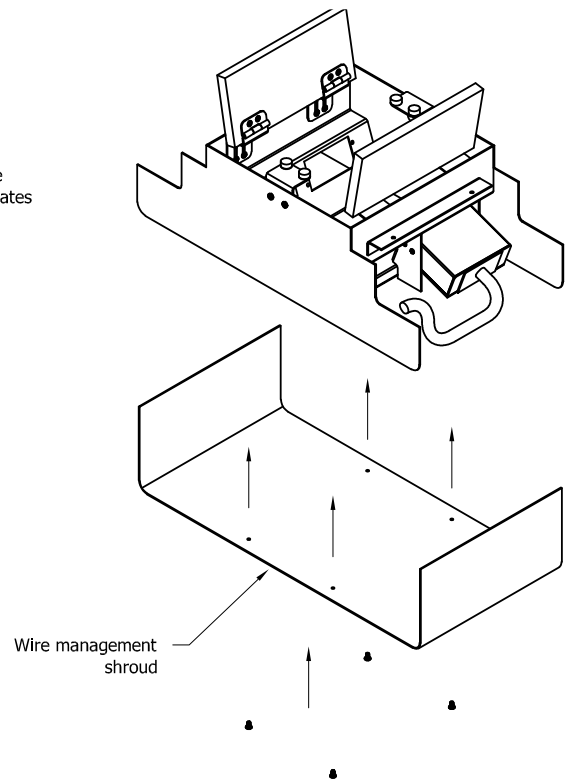
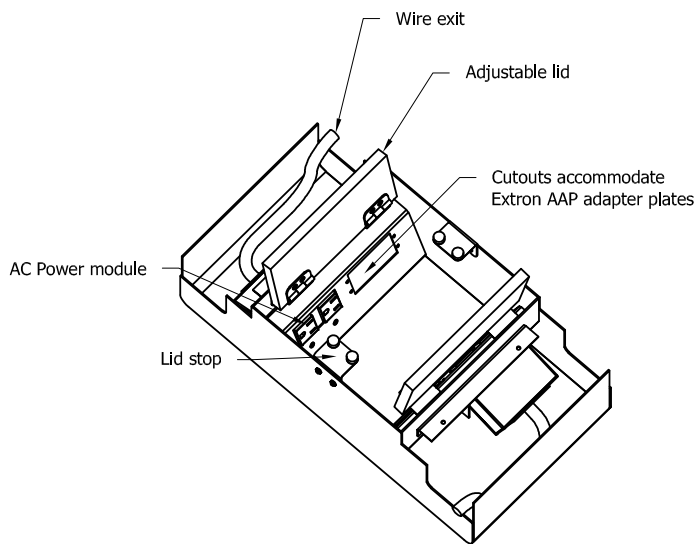
- Provided with 2 AC power modules - specify hardwired (HW) or plug in (PI), 1 double and 2 single space blank plates
- For additional connectivity replace blank plates with Extron single or double space AAP plates as desired. For more information see extron.com

Highline Fifty Collection

Meeting Tables

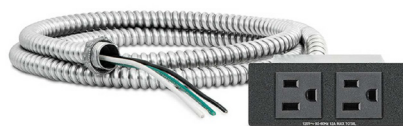
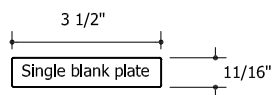
Power & Connectivity

Table Top



Meeting Table Top access

- Provided with 2 AC power modules-specify hardwired (HW) or plug in (PI), 1 double and 2 single space blank plates
- For additional connectivity replace blank plates with Extron single or double space AAP plates as desired. For more information see extron.com



AC Module Hardwired (HW)

- 3/8" diameter x 6' long metal clad cable with 6" pigtail
- Additional knockouts for series wiring
- 12A max per module



AC Module Plug In (PI)

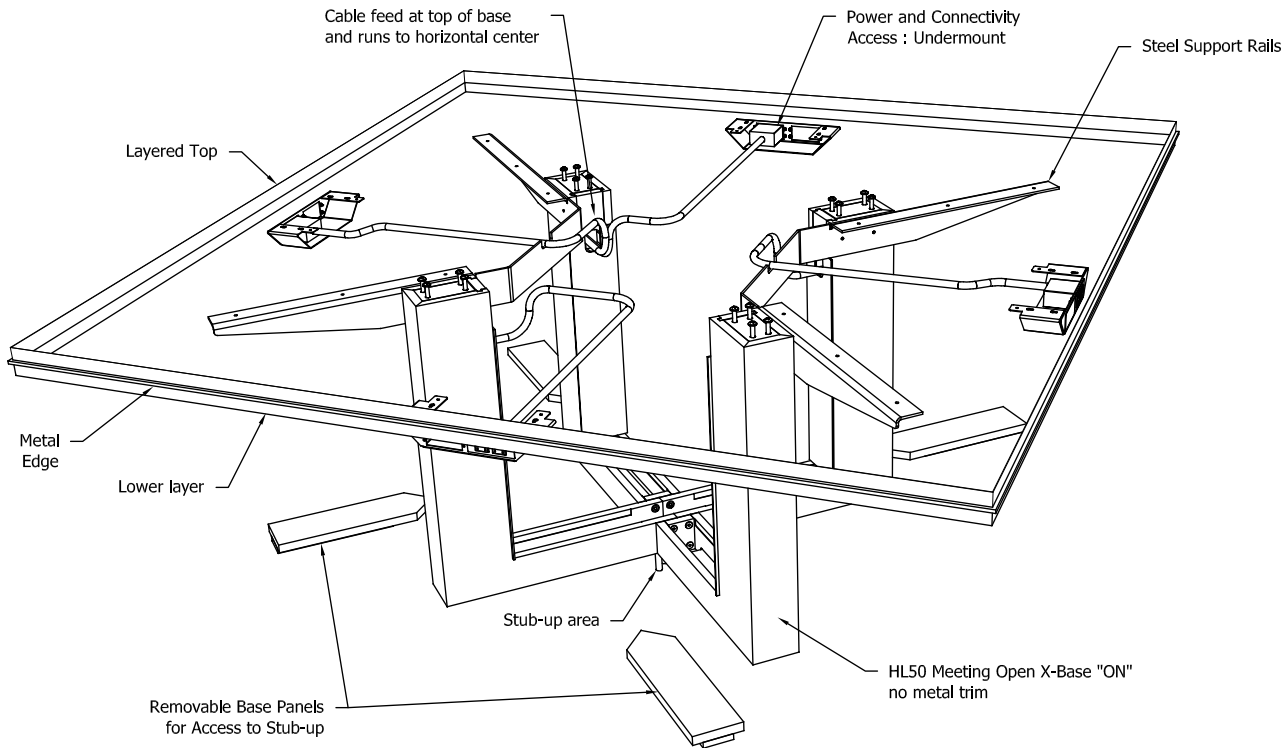
- 7.5' detachable soft cord
- 6A max per module

Highline Fifty Collection

Meeting Tables

Power & Connectivity

Undermount



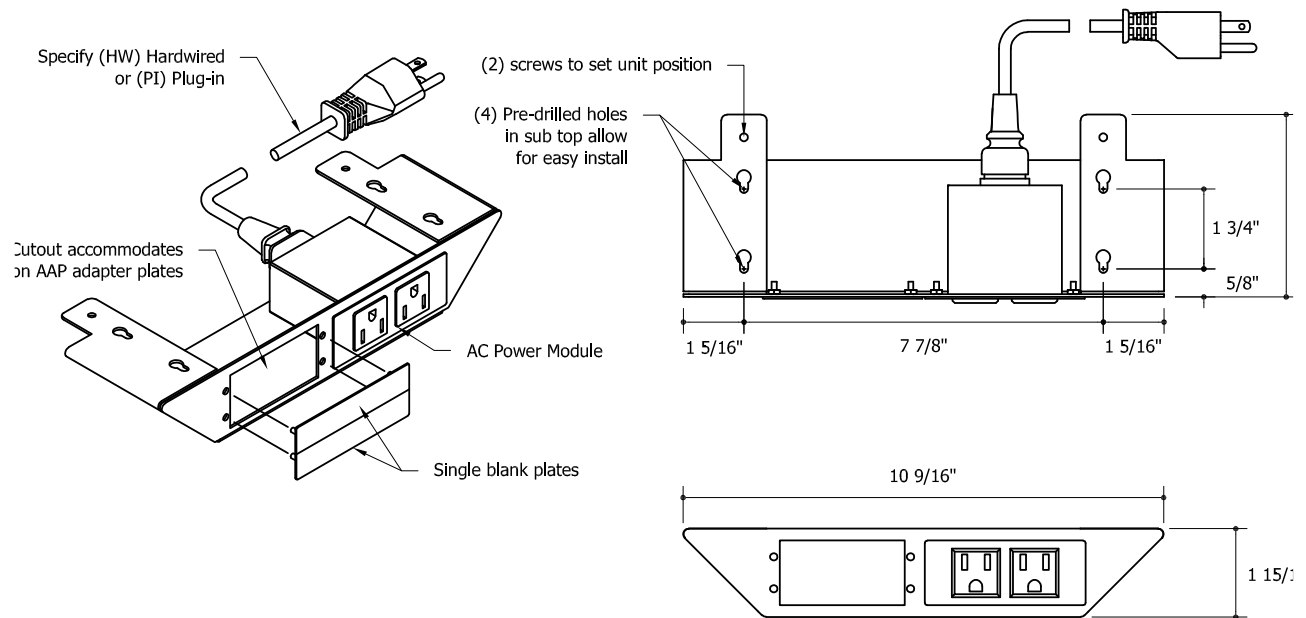
- Undermount access (shown populated)
- Black powder coat metallic finish (MC12)
 - Provided with 1 AC power module - specify hardwired (HW) or plug in (PI), and 2 single space blank plates
 - For additional connectivity replace blank plates with Extron single or double space AAP plates as desired. For more information see extron.com

Highline Fifty Collection

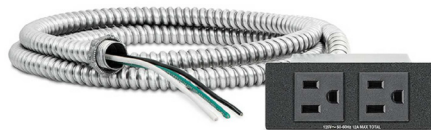
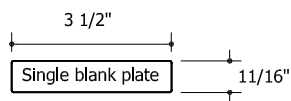
Meeting Tables

Power & Connectivity

Undermount



- Black powder coat metallic finish (MC12)
- Provided with 1 AC power module - specify hardwired (HW) or plug in (PI), and 2 single space blank plates
- For additional connectivity replace blank plates with Extron single or double space AAP plates as desired. For more information see extron.com



- AC Module Hardwired (HW)
- 3/8" diameter x 6' long metal clad cable with 6" pigtail
 - Additional knockouts for series wiring
 - 12A max per module

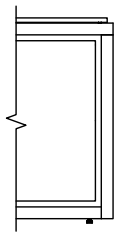


- AC Module Plug In (PI)
- 7.5' detachable soft cord
 - 6A max per module

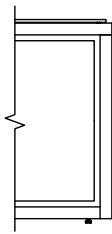
Highline Fifty Collection

Credenzas

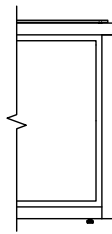
Elevations and Optional Tops



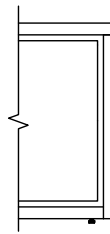
Optional Top
3/4" Caesarstone



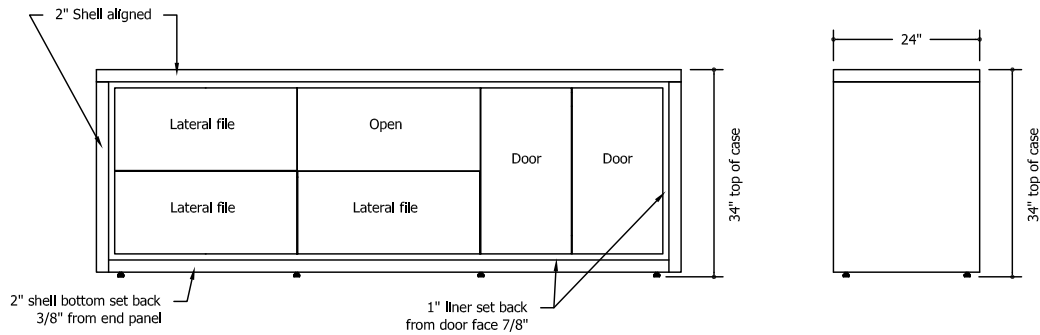
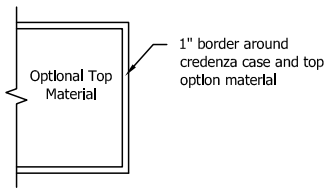
Optional Top
1/2" Corian



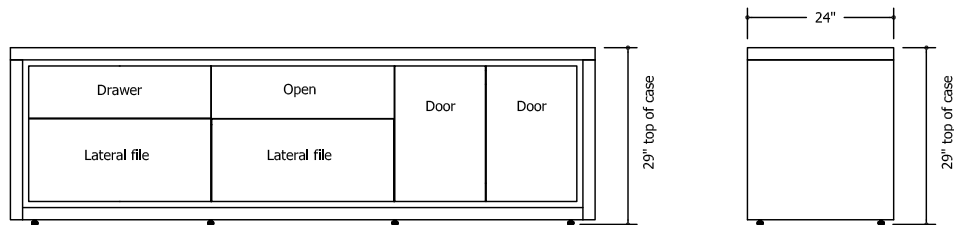
Optional Top
3/8" Glass



Optional Top
None



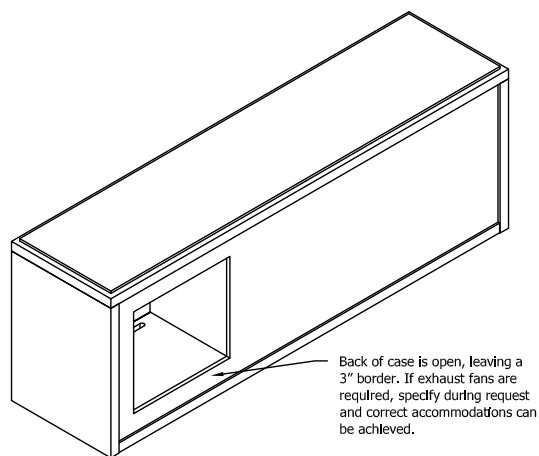
Buffet Height Credenza



Conference Height Credenza

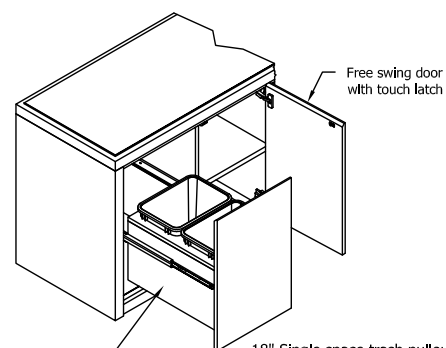
Highline Fifty Collection

Credenzas Case Details



Back of case is open, leaving a 3" border. If exhaust fans are required, specify during request and correct accommodations can be achieved.

Back of Credenza

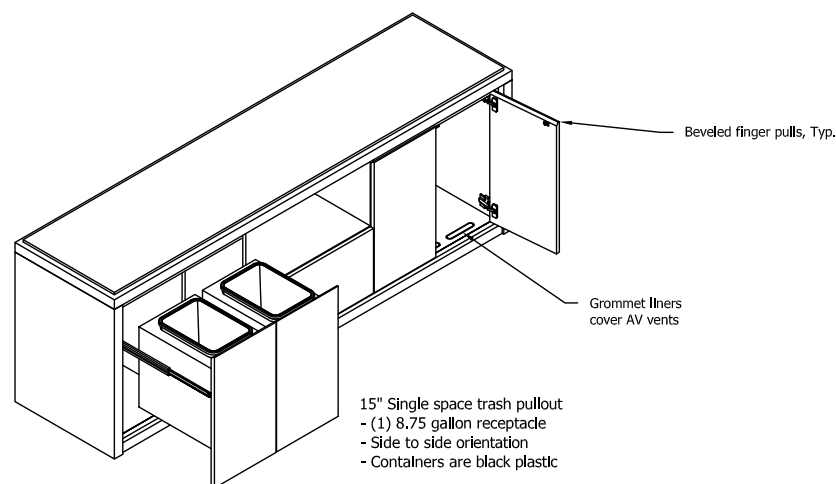


Free swing door with touch latch

Unit finished black

18" Single space trash pullout
- (2) 8.75 gallon receptacles
- Front to back orientation
- Containers are black plastic

36" Double space trash pullout
- (4) 8.75 gallon receptacles
- Front to back orientation
- Containers are black plastic



Beveled finger pulls, Typ.

Grommet liners cover AV vents

15" Single space trash pullout
- (1) 8.75 gallon receptacle
- Side to side orientation
- Containers are black plastic

30" Double space trash pullout
- (2) 8.75 gallon receptacles
- Side to side orientation
- Containers are black plastic

Front of Credenza

Credenza Notes

- Pulls are 45 degrees inside bevel
- All drawers have a beveled pull on back edge of each front
- Top drawer has bevel on top edge, bottom drawer has bevel at bottom edge
- All drawers are equipped with full extension slides
- All doors are equipped with self-closing hinges
- All credenza top material options are secured to the case with silicone except full clear glass (FG GC00)
- Full clear glass (FG GC00) sets on top of 1/16" bumpers located on top of case
- Trash option is pull-out only

Audio Visual Requirements:

- Coordinate AV requirements with the interior clearance dimensions provided below to ensure fit. All AV cases have air vent grommet at the bottom front and an open back w/3" border. Consult with your AV contractor for specific component requirements. Custom solutions are available on request

- Conference height 30" Bay:
25.75" width x 19" depth x 21.5" height
- Buffet height 30" Bay:
25.75" width x 19" depth x 26.5" height

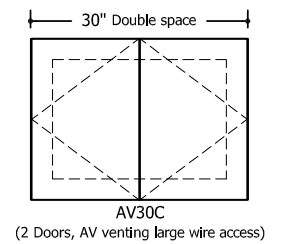
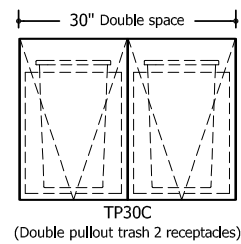
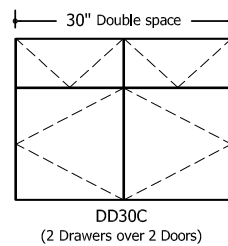
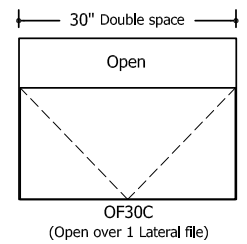
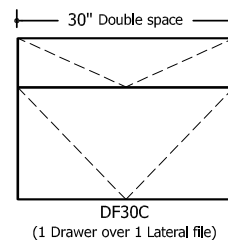
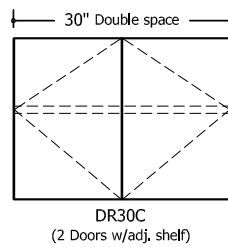
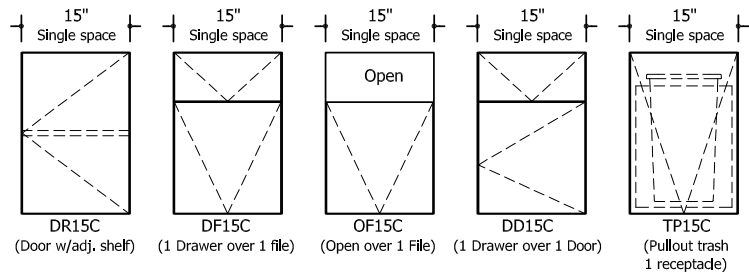
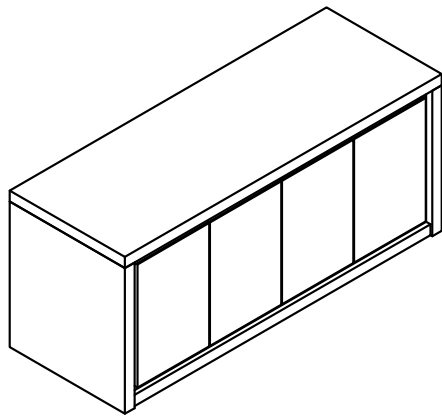
- Conference height 36" Bay:
31.75" width x 19" depth x 21.5" height
- Buffet height 36" bay:
31.75" width x 19" depth x 26.5" height

Highline Fifty Collection

Credenzas

Conference Height: 29"

Configurations: 15" and 30" modules

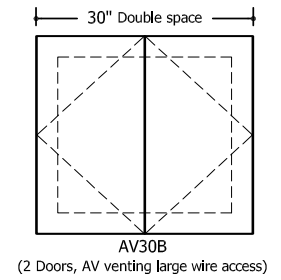
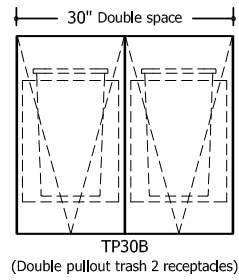
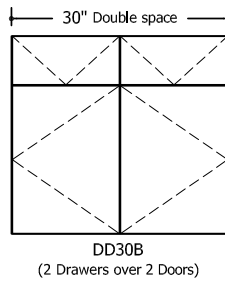
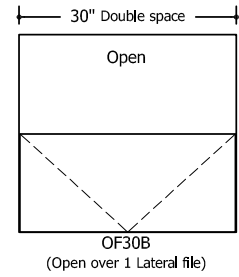
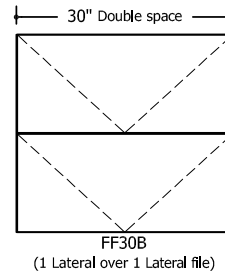
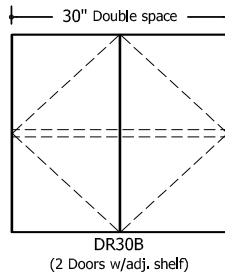
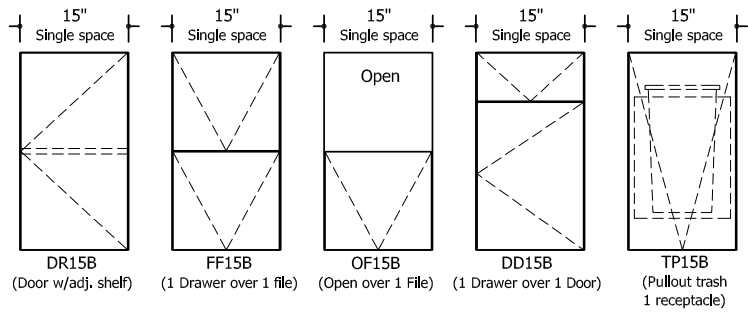
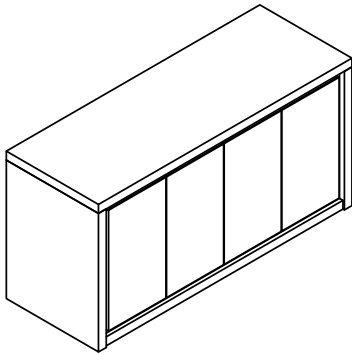


Highline Fifty Collection

Credenzas

Buffet Height: 34"

Configurations: 15" and 30" modules

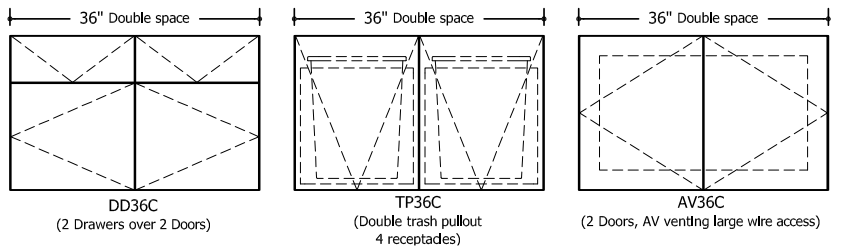
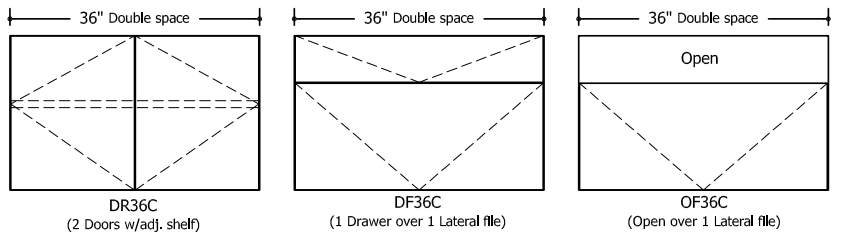
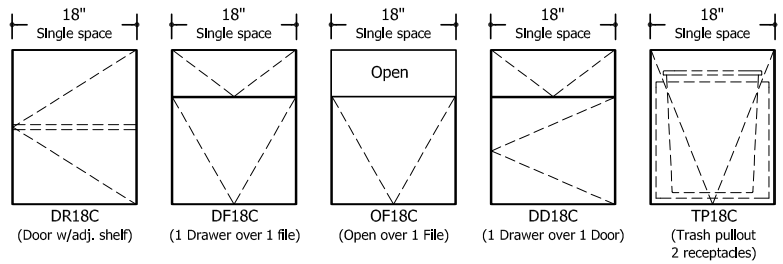
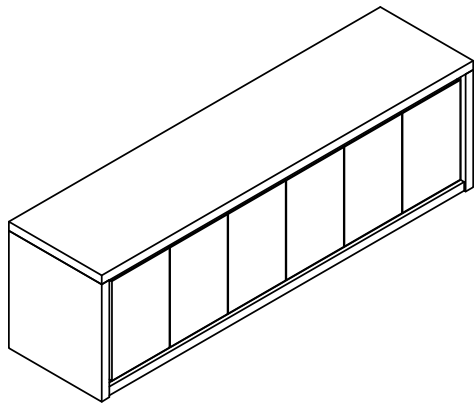


Highline Fifty Collection

Credenzas

Conference Height: 29"

Configurations: 18" and 36" modules

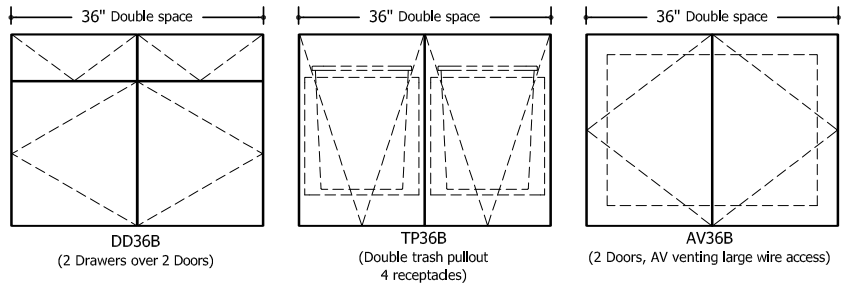
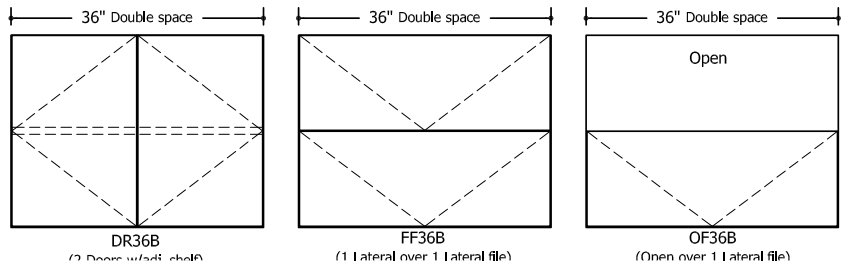
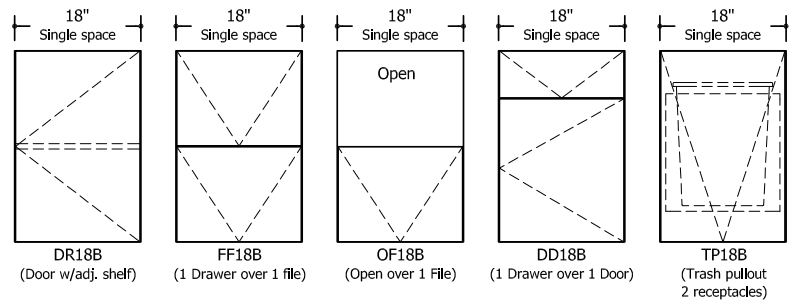
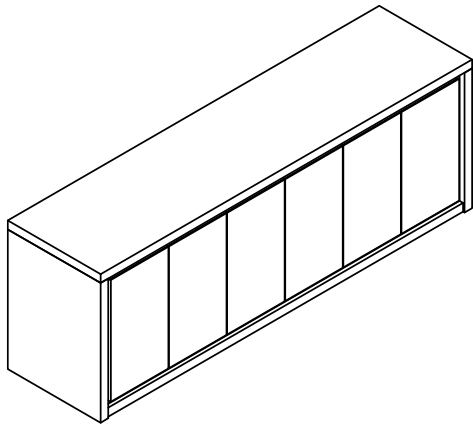


Highline Fifty Collection

Credenzas

Buffet Height: 34"

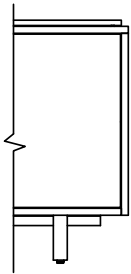
Configurations: 18" and 36" modules



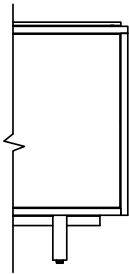
Highline Twenty-Five Collection

Credenzas

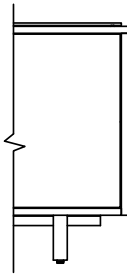
Elevations and Optional Tops



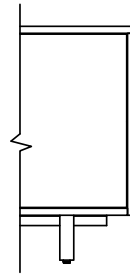
Optional Top
3/4" Caesarstone



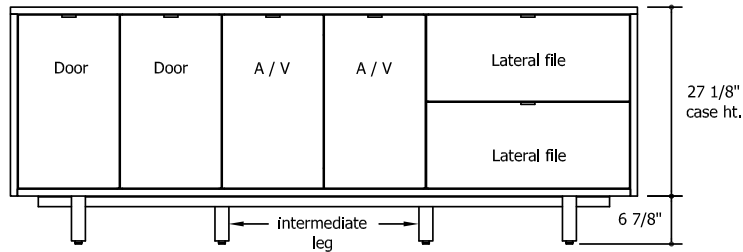
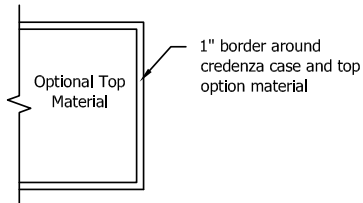
Optional Top
1/2" Corian



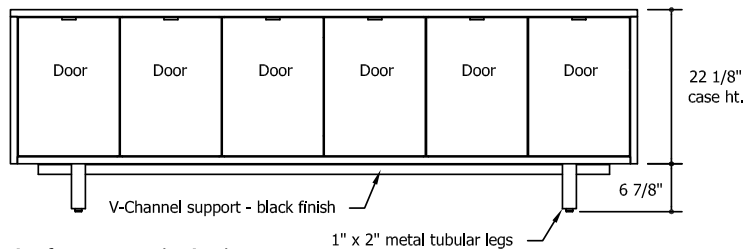
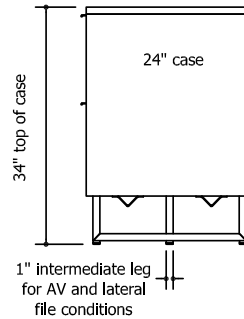
Optional Top
3/8" Glass



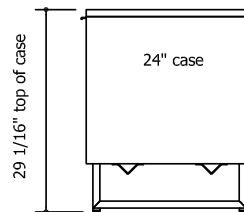
Optional Top
None



Buffet Height Credenza

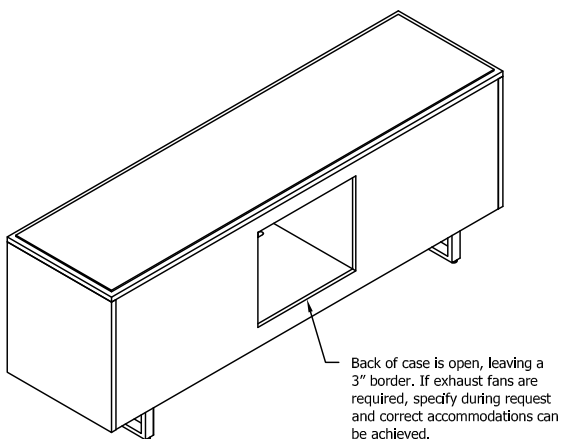


Conference Height Credenza

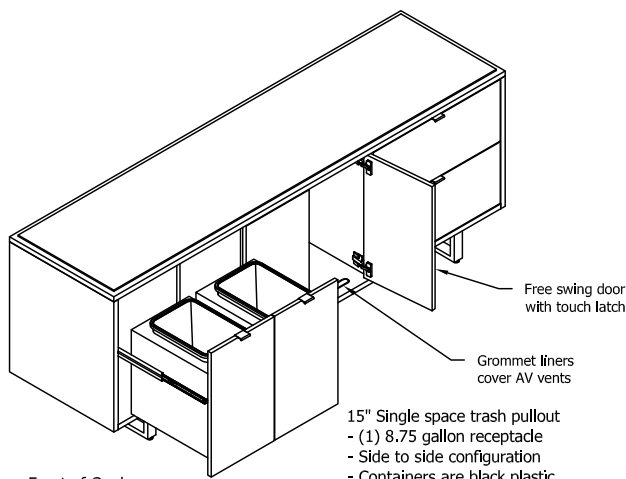


Highline Twenty-Five Collection

Credenza Case Details

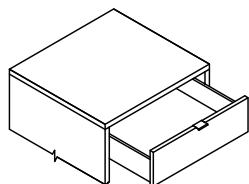


Back of Credenza



Front of Credenza

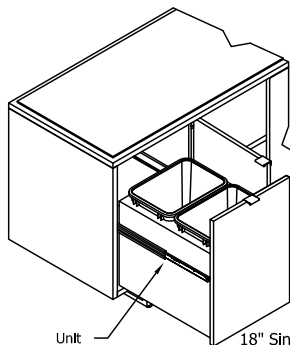
- 30" Double space trash pullout
- (2) 8.75 gallon receptacles
- Side to side configuration
- Containers are black plastic



Drawer with 2" tab pull



2" tab pull



- 18" Single space trash pullout
- (2) 8.75 gallon receptacles
- Front to back orientation
- Containers are black plastic

- 36" Double space trash pullout
- (4) 8.75 gallon receptacles
- Front to back orientation
- Containers are black plastic

Credenza Notes:

- 2" metal pulls to compliment metal legs
- All drawers have a 2" tab pull that is located in the center of the top edge of each front
- All drawers use full extension slides
- All doors use free swing hinges and touch latches.
- All credenza top material options are secured to the case with silicone except full clear glass (FG GC00)
- Full clear glass (FG CG00) sets on top of 1/16" bumpers located on top of case
- Trash option is pull-out only

Audio Visual Requirements:

- Coordinate AV requirements with the interior clearance dimensions provided below to ensure fit. All AV cases have air vent grommet at the bottom front and an open back width 3" border. Consult with your AV contractor for specific component requirements. Custom solutions are available on request

- Conference height 30" Bay:
25.15" width x 21.25" depth x 19.18" height

- Buffet height 30" Bay:
25.15" width x 21.25" depth x 24.18" height

- Conference height 36" Bay:
31.13" width x 21.25" depth x 19.18" height

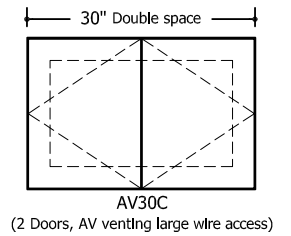
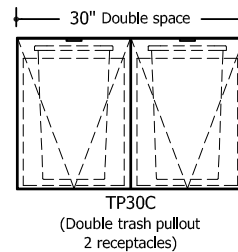
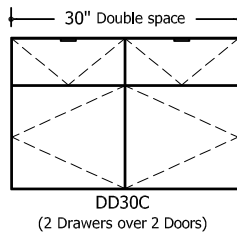
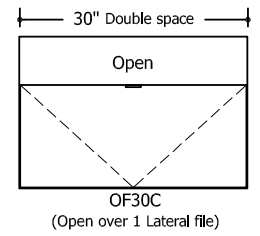
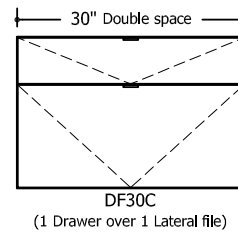
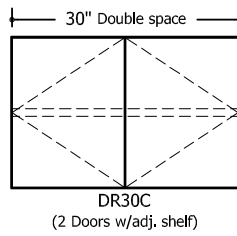
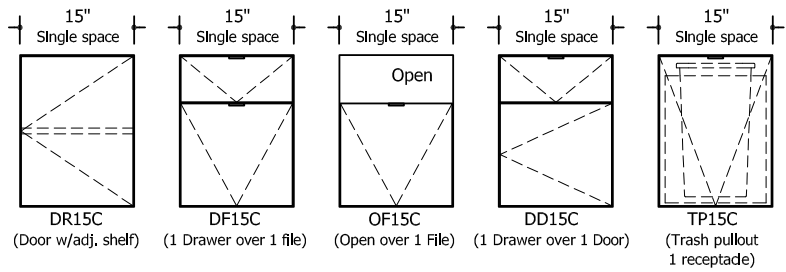
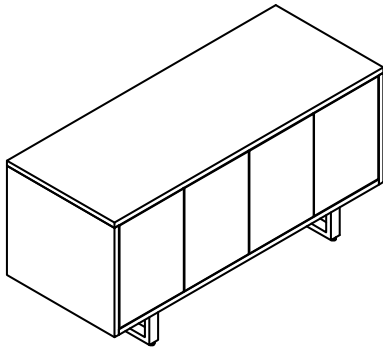
- Buffet height 36" Bay:
31.13" width x 21.25" depth x 24.18" height

Highline Twenty-Five Collection

Credenzas

Conference Height: 29"

Configurations: 15" and 30" modules

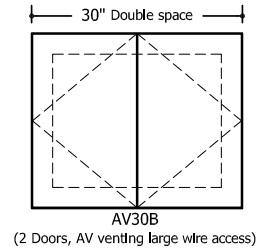
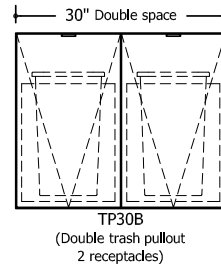
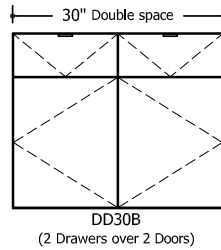
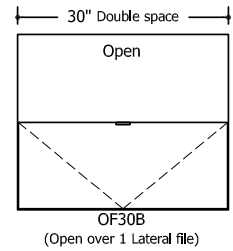
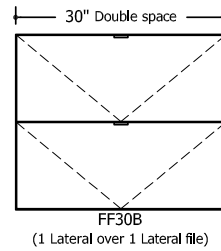
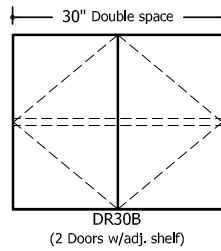
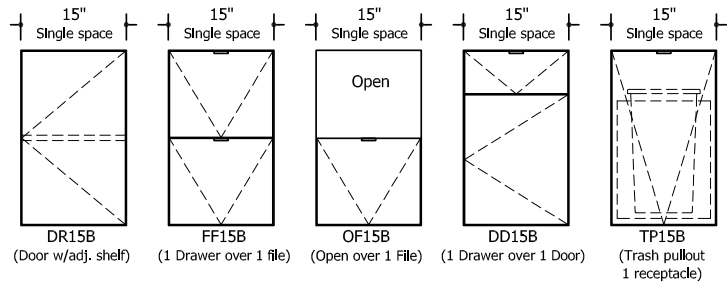
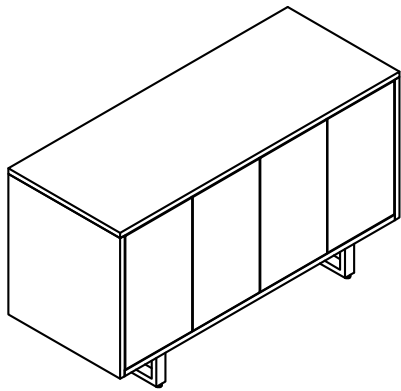


Highline Twenty-Five Collection

Credenzas

Buffet Height: 15"

Configurations: 15" + 30" models

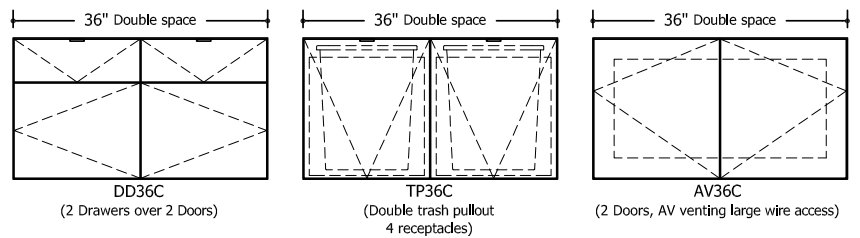
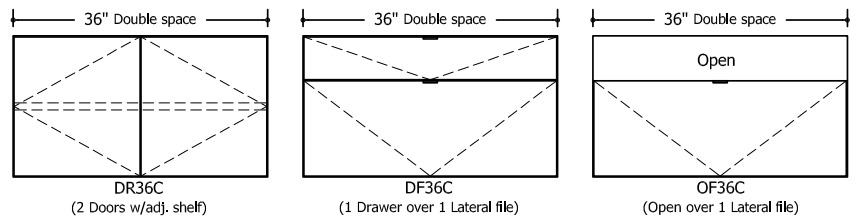
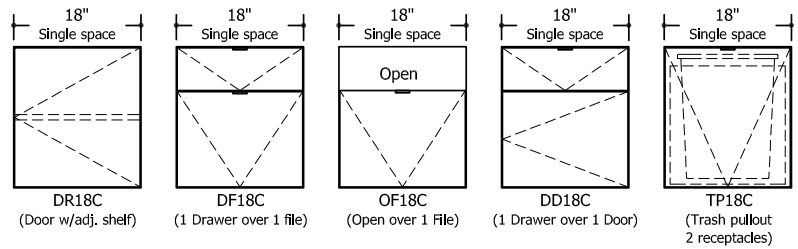
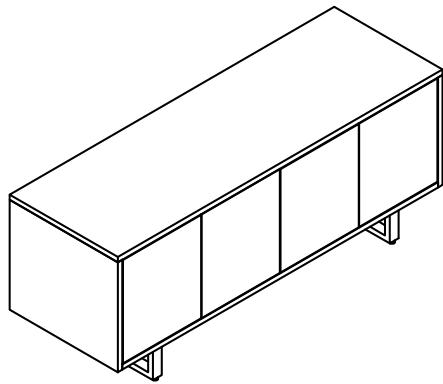


Highline Twenty-Five Collection

Credenzas

Conference Height: 29"

Configurations: 18" and 36" modules

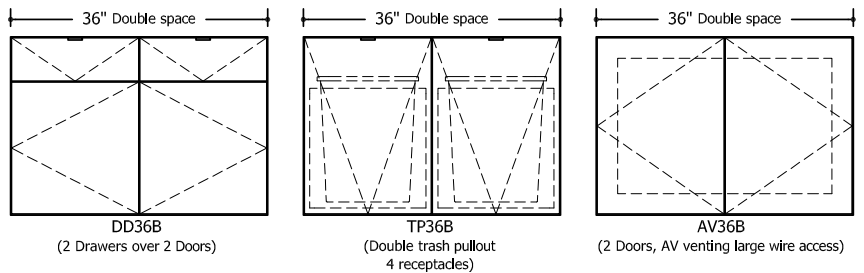
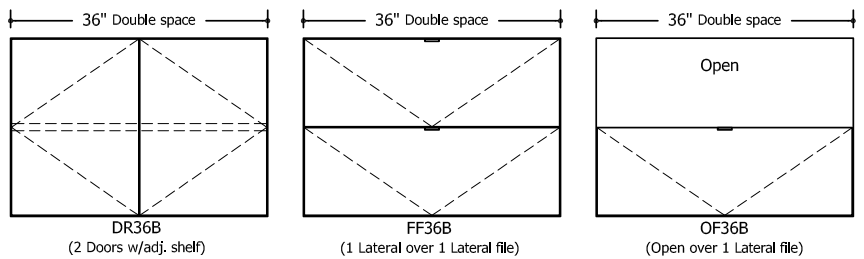
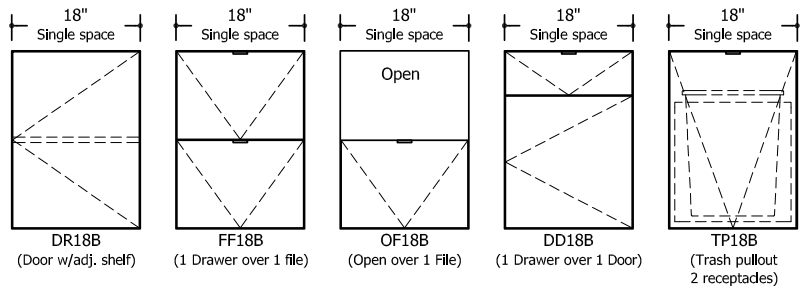
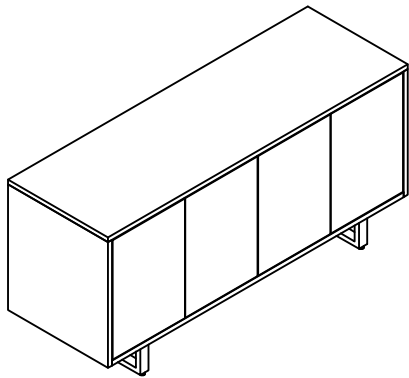


Highline Twenty-Five Collection

Credenzas

Buffet Height: 34"

Configurations: 18" and 36" modules



Terms and Conditions of Sale

Sales by DatesWeiser (hereinafter called the Seller) are made only on the terms and conditions set forth below. These terms and conditions may be modified or supplemented only by a written document signed by an authorized representative of the Seller. These terms and conditions supersede any prior and/or contemporaneous agreements or correspondence between Purchaser and Seller.

Ordering Information

All orders must be in writing. Product information required for a Purchase Order is described on [page 5](#).

A Purchase Order is not binding on the Seller until Purchaser has received Seller's Order Confirmation.

Pricing Policies

All written quotations expire thirty (30) days from the date of issuance and can be withdrawn by written notice anytime during that period.

Prices are List, F.O.B. from the DatesWeiser factory in Buffalo, New York. Shipping, packaging, inside delivery, uncrating, installation, storage, and sales tax (if applicable) shall be in addition to the list price and shall be itemized and charged separately.

List prices are subject to change without notice.

List prices shall be those prices in effect on the date the Seller receives a completed Purchase Order unless shipment is requested more than 120 days after the order entry, in which case prices in effect on the date of shipment apply.

Taxes

All sales, use, excise, and other taxes applicable to the sale of DatesWeiser Products shall be paid by the Purchaser. To claim an exemption from any tax, Purchaser must submit to Seller the appropriate exemption certificates.

Terms of Payment

A fifty percent (50%) deposit is due at the time of order placement and the remainder due within thirty (30) days of the date of invoice.

If, in the judgment of Seller, Purchaser's financial condition does not justify the terms of the payment, Seller may require full or partial payment in advance.

The ship date the Seller specifies is considered the invoice date for billing. The ship date will be confirmed by the Seller via a separate Acknowledgement issued upon receipt of a signed Purchase Order.

Past due accounts shall be charged one and one-half percent (1.5%) per month, or the highest rate permitted by law, whichever is less, and will be added to the outstanding balance. In the event Purchaser defaults on payment, Purchaser shall be liable for all collection costs, including reasonable attorney's fees and costs.

Changes and Cancellations

A confirmed order may not be changed or cancelled, in whole or in part, without prior written consent of Seller. Changes may effect delivery dates. Expenses incurred because of changes shall be charged to Purchaser. In event of cancellations, Purchaser will be liable for reasonable cancellation charges, including a \$500 administrative fee.

Seller is not required to comply with Purchaser's request to change a confirmed order, but all reasonable requests to change confirmed orders will be honored. Orders for special or custom Product may not be cancelled.

To be effective, a Change Order must be in writing, signed by the Purchaser or Purchaser's agent, and confirmed in writing by the Seller. Change Orders are subject to a charge for materials, labor, and other costs as determined by Seller.

Security Interest

Until Seller receives the full payment for the Product, Seller shall have a security interest in the Product. Purchaser agrees to perform all acts, including but not limited to the execution and filing of documentation, which may be necessary to perfect and assure the security interest of Seller.

Customer's Own Material (COM)

A Purchaser who requests a material not standard to Seller's line of Products (described on [page 6](#)) must submit a sample of the requested material to Seller prior to entry of a purchase order. Seller shall determine if the material is suitable to its manufacturing processes and meets any requirements of Underwriter Laboratories. If the COM is acceptable, Seller will then establish a price for using the COM on the Product in question.

Customer's Specified Laminates (CSL)

For custom wood or paint finishes add \$725 net per finish. This is a one-time matching charge. Custom finishes may extend delivery time up to four (4) weeks. Control samples of custom finishes will be provided.

Hardware

Final adjustment of furniture hardware such as hinges, drawer slides, drawer pulls, etc., at the installation and as a punch-list item, if required, is the Purchaser's responsibility.

Design

All Products shown in the Seller's Price List and Specifications Guide are, and remain, the property of the Seller, who reserves the exclusive right to manufacture them. All dimensions shown are to be considered approximate. Seller reserves the right to make changes in price, dimensions, design and/or construction without prior notice.

Shop Drawings

Seller allows for one (1) set of full shop drawings and one (1) round of minor drawing revisions in its pricing and scheduling. Thereafter, any significant changes in design, including dimensions, engineering details, and materials, or delays in reviewing and approving shop drawings, may necessitate additional charges and cause schedule delays. Seller reserves the right to determine the impact of any design changes and/or delays and will promptly notify those involved of any adjustments to cost and schedule.

Field and Hold Dimensions

If a dealer or third party is responsible for providing installation, the following is required: Full responsibility for providing accurate and timely field dimensions or hold to dimensions (in cases where walls are not erected) as it effects the ultimate fit of the installation. As an alternative, upon request, Seller can provide a cost for sending a field technician to the project site to assume responsibility for field dimensions and site evaluation.

FREIGHT AND DELIVERY

Products are carefully inspected and packaged before leaving the factory to ensure they reach their destination in excellent condition. Whenever possible, the Seller will ship in accordance with the Purchaser's instructions. If Purchaser does not specify shipping instructions, Seller will use its best judgment to determine the most suitable shipping method, route, and carrier.

Conditions beyond the control of Seller, including weather, available facilities and traffic conditions, may affect time of delivery.

Storage

If the Purchaser cannot accept delivery per the ship date specified in the Seller's Acknowledgement, the Seller may transfer the merchandise to storage, either at its facility or at another facility.

Purchaser will be charged a storage fee of two percent (2%) of the invoice for every thirty (30) days the products are stored at the Seller's facility.

For products stored in another facility, all out-of-pocket costs of storage, including transportation and warehousing fees, will be at the Purchaser's expense.

The Purchaser will be invoiced for all product charges on the date the Products are transferred to storage. Storage fees will accrue monthly in full month increments (they are not prorated for partial months) and will be added to the first invoice, which will also include non-product charges such as shipping, installation, etc.

Returns

Purchasers may not return Products without Seller's written approval and shipping instructions. Unauthorized returns, and returns shipped inconsistently with Seller's instructions, will be automatically refused by the Seller's receiving department.

Products not currently offered for sale by Seller, including special and custom Products, shall not be authorized for return. All returned Products must be unused, in original condition and in original Seller shipping cartons. No refund or credit shall be given for damaged Products.

CLAIMS

All shipments for Seller's Product are F.O.B. Origin. All risk of loss passes to Purchaser at time of delivery to carrier. Purchaser shall inspect all Products upon receipt and note any damage on the Bill of Lading and make an immediate request for inspection of damage by carrier. Seller is not responsible for damage that occurs in transit or storage.

Damage that becomes apparent after the Product is unpacked should be reported to the carrier and the Seller within twenty-four (24) hours of receipt. Damage that is incurred at a furniture dealer's warehouse is the responsibility of the furniture dealer.

For claims relating to Product damaged in transit, or for any other claims relating to or arising out of the transportation of the Product, Purchaser must seek recovery from the carrier. Seller may, upon request, assist Purchaser with filing of such claims with the carrier.

Claims for defects, errors, or shortages must be made in writing by Purchaser against Seller within five (5) working days after delivery. Failure to make such claim within five (5) working days shall constitute unconditional acceptance of the Products and a waiver of any apparent defects, errors, or shortages.

WARRANTY

Seller warrants its Products to the original Purchaser to be free of defects in workmanship and materials under normal use and under conditions for which the Product was designed for a period of five (5) years. This remedy is exclusive. Seller does not authorize any person to create for it any obligation or liability.

During this warranty period, Seller will repair, or at its option, replace, such Product proven to be defective. Seller shall not be liable for commercial loss or any consequential or incidental damages that may arise as a result of defective Product.

This limited warranty does not apply to:

- Damage caused by a carrier other than the Seller.
- Product not properly maintained per Seller instructions. Maintenance and proper environmental conditions are described in Seller's Published Price List. All furniture should be used in a stable, controlled atmosphere and positioned to avoid direct sunlight. Ideal climate is 65 to 75 degrees Fahrenheit with 30 to 55% relative humidity.
- Normal wear and tear or acts or omissions of parties other than Seller. This warranty does not cover any product repaired or altered by any person not so authorized by Seller, including user modification, improper use or installation of Products.
- Customer's Own Material and Customer's Specified Laminates.
- Durability or suitability of any exterior surface coatings or treatments.
- Matching of color, grains or texture except as specified in the Seller's Order Confirmation and the finish sample.
- Natural variations occurring in wood, stone, and glass shall not be considered defects, and the Seller does not guarantee the colorfastness or matching of colors, grains or textures, or surface hardness of such materials.
- Adequacy of any electronic components.
- Durability of glass used in Product.

Seller must be notified of any claim against this warranty within five (5) years from the date of shipment. To obtain the benefit of this warranty, contact Seller in writing. It is the responsibility of the Purchaser to arrange the return of Product to Seller and to assume all costs relating to any incidental or consequential damages.

Disclaimers

THE EXPRESS WARRANTIES CONTAINED IN THIS SELLING POLICY ARE THE ONLY WARRANTIES THAT DATESWEISER MAKES AND TAKE THE PLACE OF ALL OTHER WARRANTIES, EXPRESS OR IMPLIED, INCLUDING ANY WARRANTIES OF MERCHANTABILITY OR FITNESS FOR PARTICULAR PURPOSE AND ALL OTHER WARRANTIES ARISING FROM COURSE OF DEALING OR USAGE OF TRADE.

Corporate Office / Factory

1700 Broadway Street
Buffalo, NY 14212
p 716.891.1700
toll free 800.466.7037

