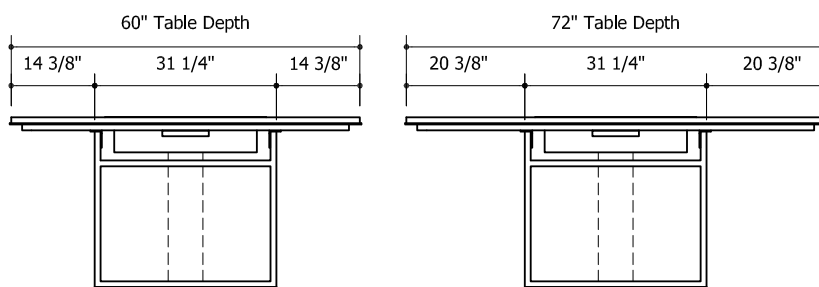
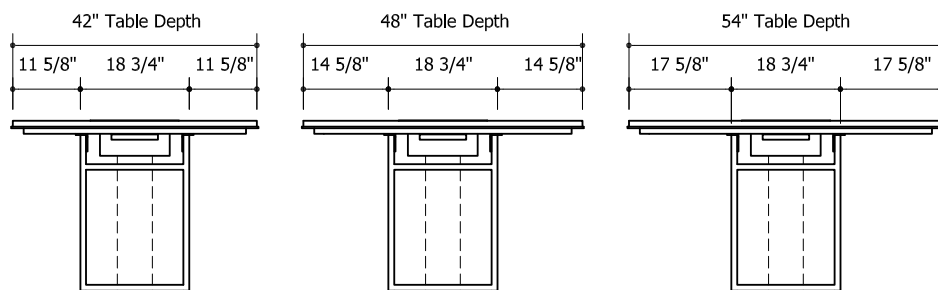
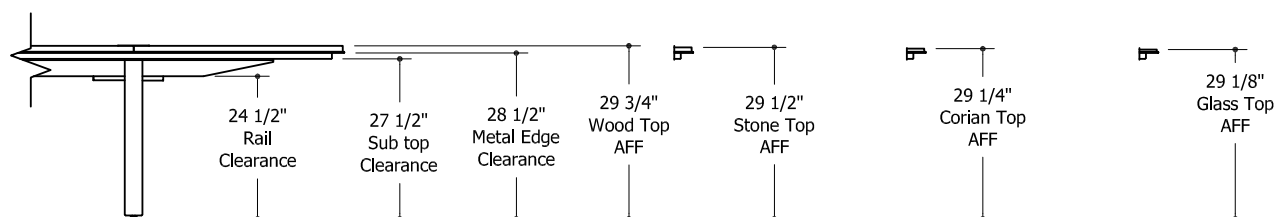


Technical Information 2018

Highline Collection

Conference Tables

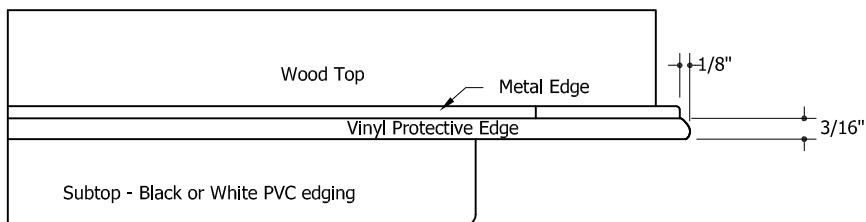
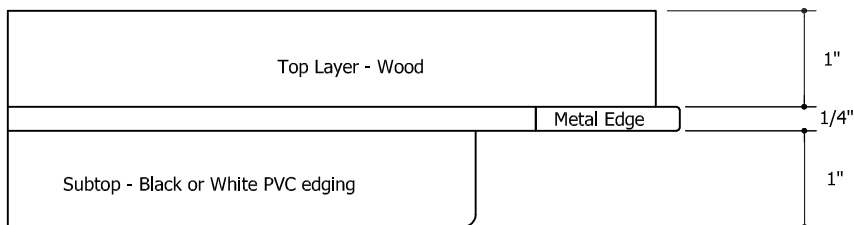
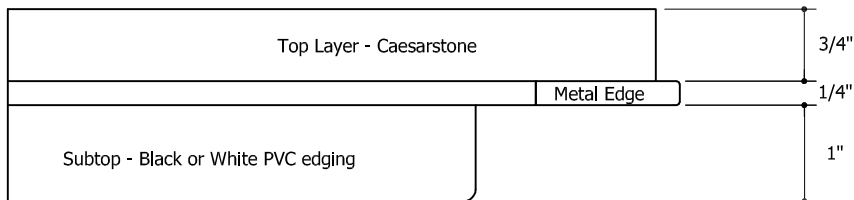
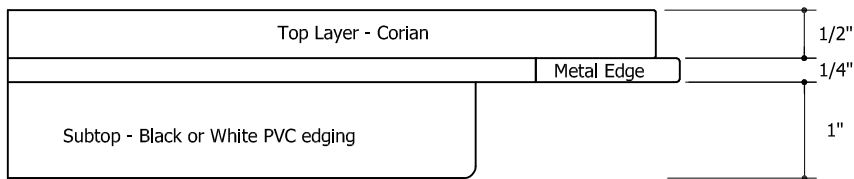
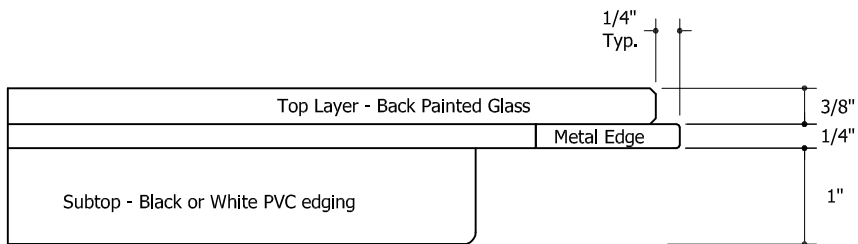
Overall Elevations and Clearance



Highline Collection

Conference Tables

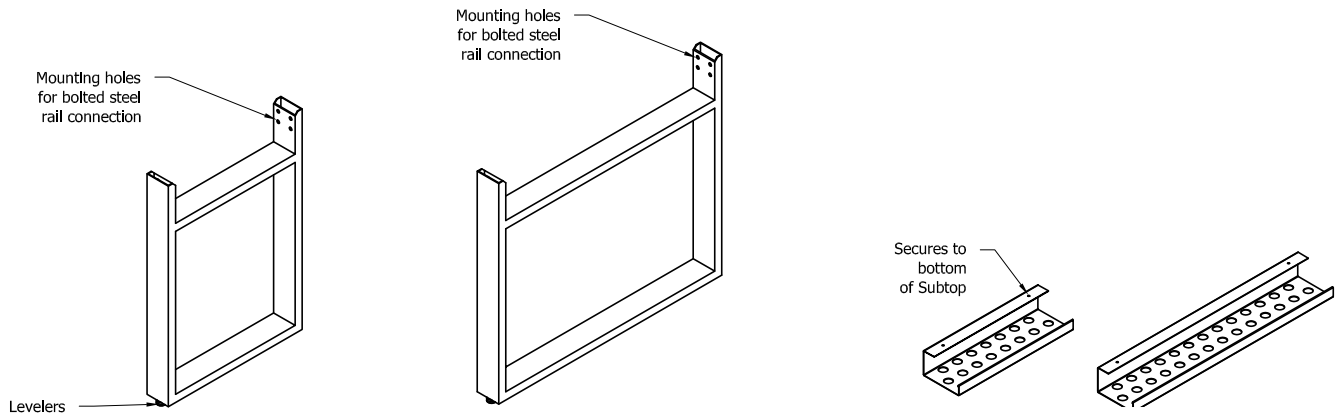
Top Construction



Highline Collection

Conference Tables

Base Construction / Wire Management Column



Highline Small Base

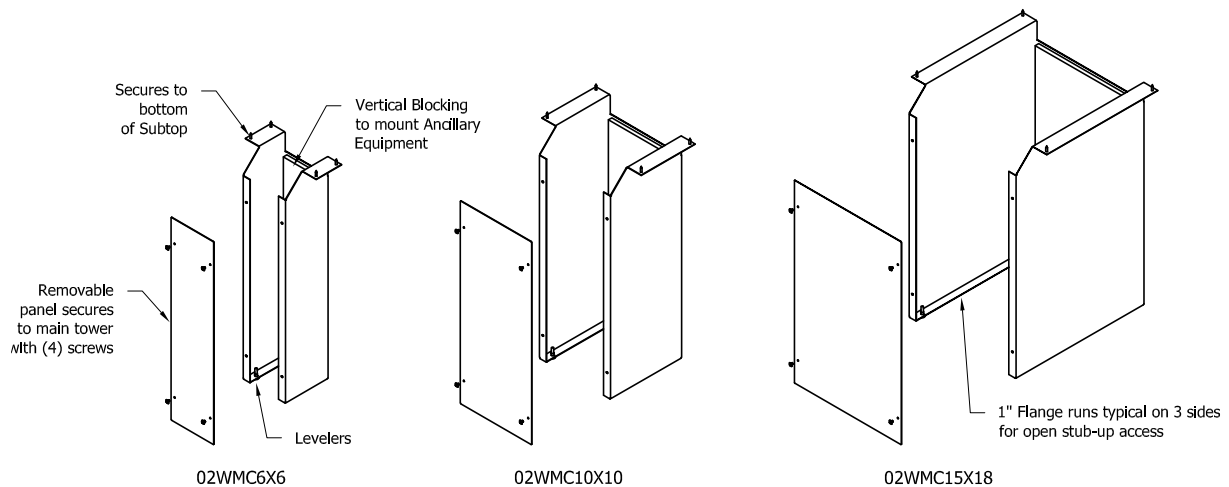
- Used on 42" / 48" / 54" widths
- Also used in combination with large bases for some elliptical and trapezoid configurations
- Construction: 1" x 3" tubular steel

Wire Manager

- Length varies by table 16" or 28" x 5" deep x 3" high
- Construction: Steel with black powder coat metallic finish (MC12)

Highline Large Base

- Used on 60" / 72" widths
- Also used in combination with small bases for some elliptical and trapezoid configurations
- Construction: 1" x 3" tubular steel



Wire Management Column

- Ordered separately but required with all power options
- Location is flexible but placement on table centerline is recommended

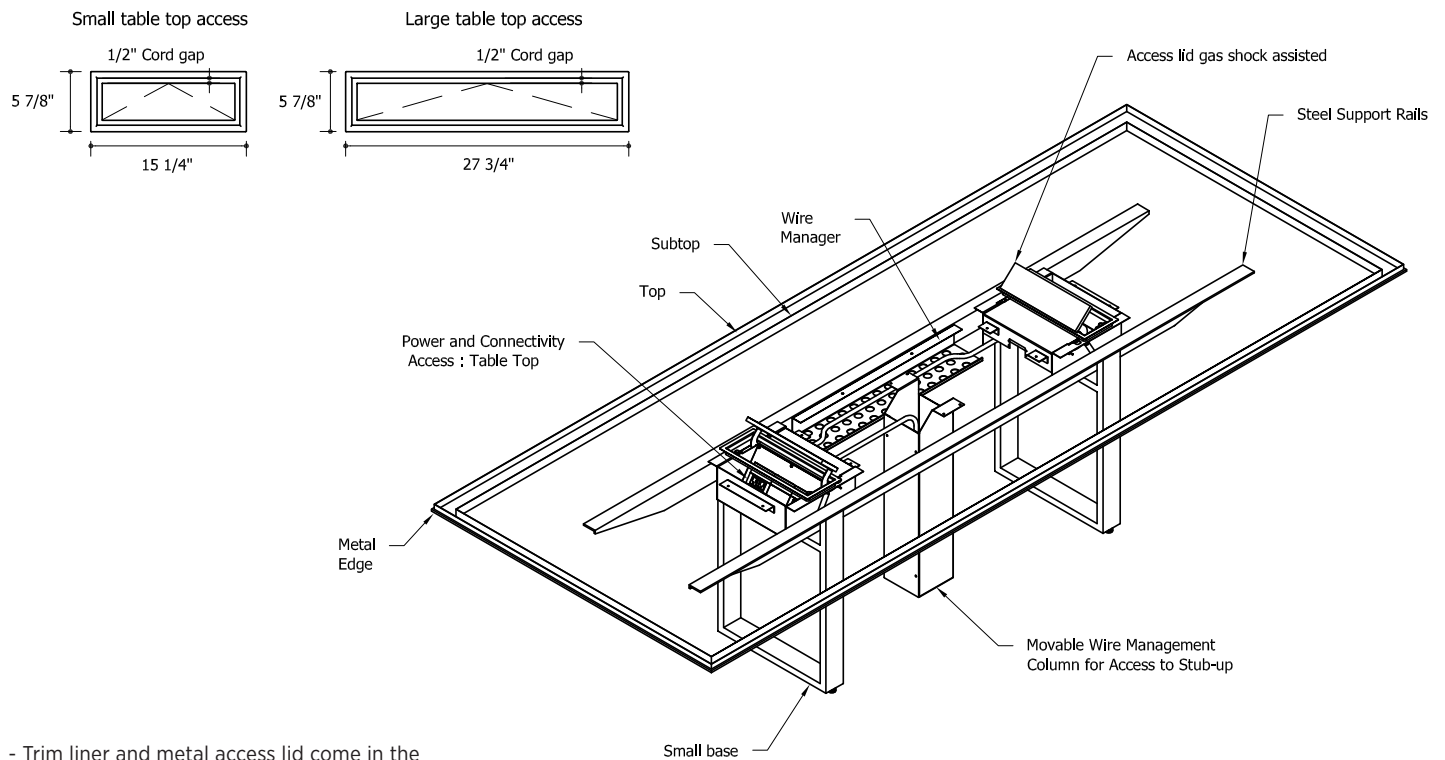
02WMC6X6	6" x 6" with clear inside of 4" x 5"
02WMC10X10	10" x 10" with clear inside of 8" x 9"
02WMC15X18	15" x 18" with clear inside of 13" x 17"

Highline Collection

Conference Tables

Power & Connectivity

Table Top: Small and Large



- Trim liner and metal access lid come in the specified metal finish
- Small access lid used on 42" / 48" / 54" tables
- Large access lid used on 60" / 72" tables



Small Table Top access (shown populated)

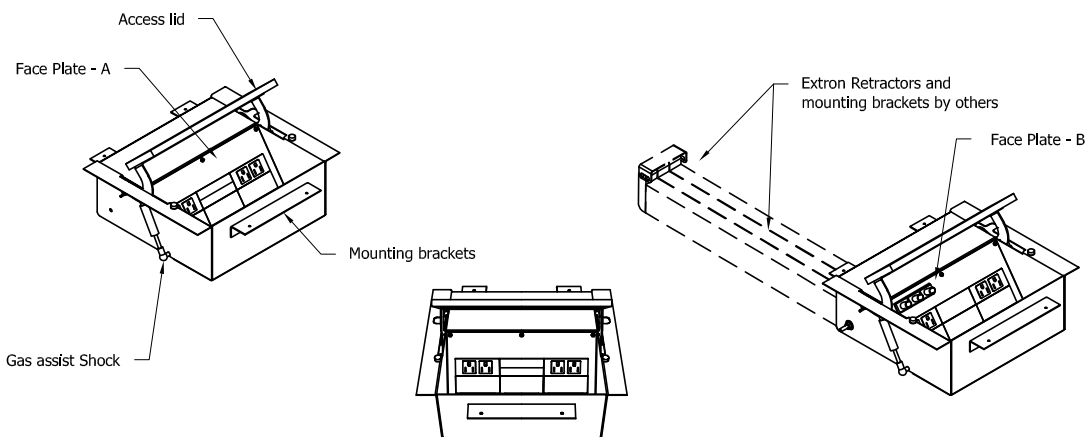


Small Table Top access (shown with optional faceplate)

- Provided with 2 AC power modules - specify hardwired (HW) or plug in (PI), 3 double space and 2 single space blank plates
- For additional connectivity, replace blank plates with Extron single or double space AAP plates as desired. For more information see extron.com

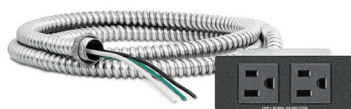
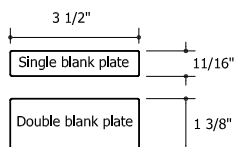
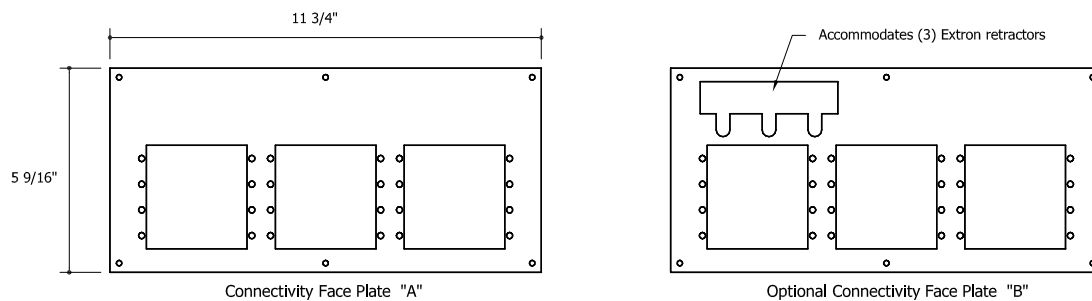
Highline Collection

Conference Tables Power & Connectivity Table Top: Small



- Interior: Black powder coat metallic finish (MC12)
- Used on 42" / 48" / 54" width conference tables
- Also used in combination with large boxes for some elliptical and trapezoid configurations
- Connectivity: Face Plate "A" Qty 1 is standard
- Connectivity: Face Plate "B" is used with Extron retractors

- Face Plates are removable to allow for easy population by AV installer
- Provided with 2 AC power modules - specify hardwired (HW) or plug in (PI), 3 double space and 2 single space blank plates
- For additional connectivity, replace blank plates with Extron single or double space AAP plates as desired. For more information see extron.com



- AC Module Hardwired (HW)
- 3/8" diameter x 6' long metal-clad cable with 6" pigtail
 - Additional knockouts for series wiring
 - 12A max per module

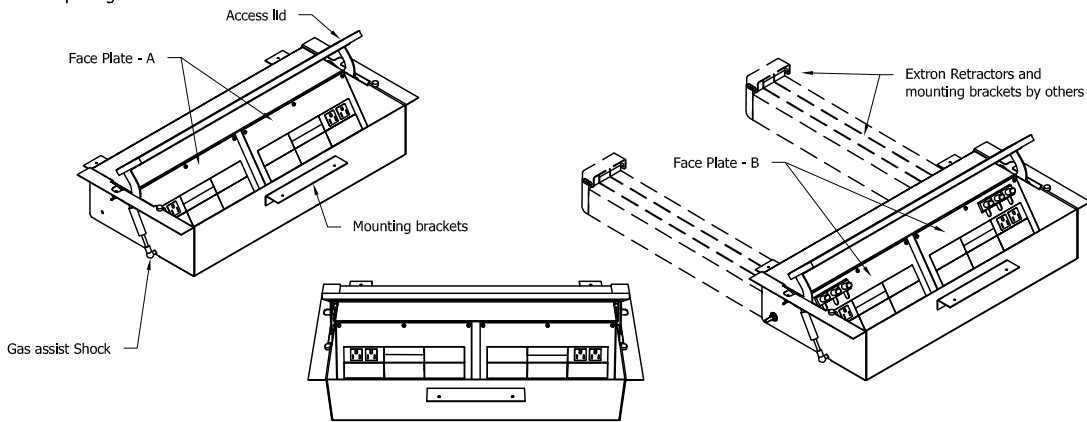


- AC Module Plug In (PI)
- 7.5' detachable soft cord
 - 6A max per module

Highline Collection

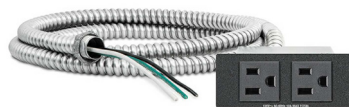
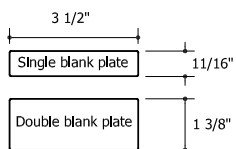
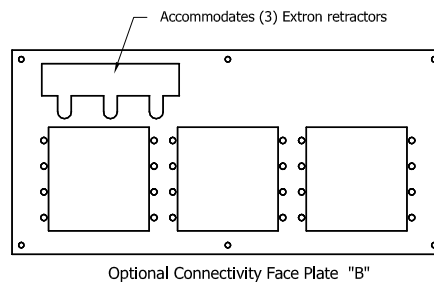
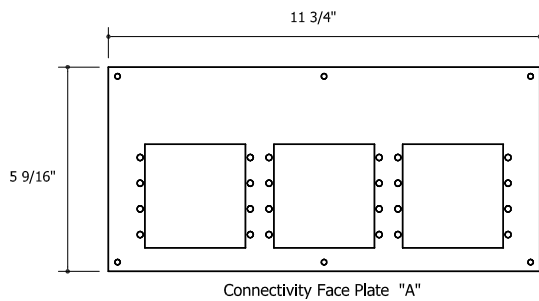
Conference Tables Power & Connectivity Table Top: Large

Table Top Large



- Interior: Black powder coat metallic finish (MC12)
- Used on 60" / 72" width tables
- Also used in combination with Highline Small boxes for some elliptical and trapezoid configurations
- Connectivity: Face Plate "A" Qty 2 is standard
- Connectivity: Face Plate "B" is used with Extron retractors

- Face Plates are removable to allow for easy population by AV installer
- Provided with 2 AC power modules - specify hardwired (HW) or plug in (PI), 8 double space and 4 single space blank plates
- For additional connectivity, replace blank plates with Extron single or double space AAP plates as desired. For more information see extron.com



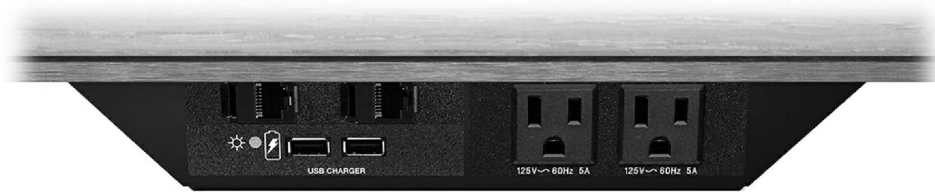
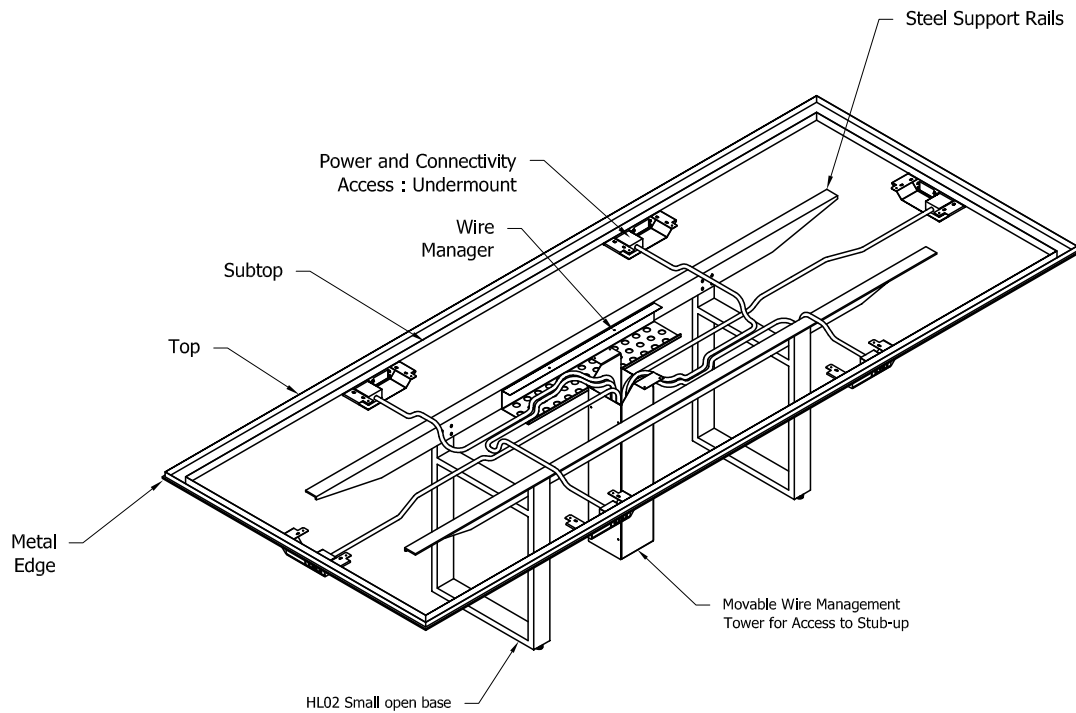
- AC Module Hardwired (HW)
- 3/8" diameter x 6' long metal clad cable with 6" pigtail
 - Additional knockouts for series wiring
 - 12A max per module



- AC Module Plug In (PI)
- 7.5' detachable soft cord
 - 6A max per module

Highline Collection

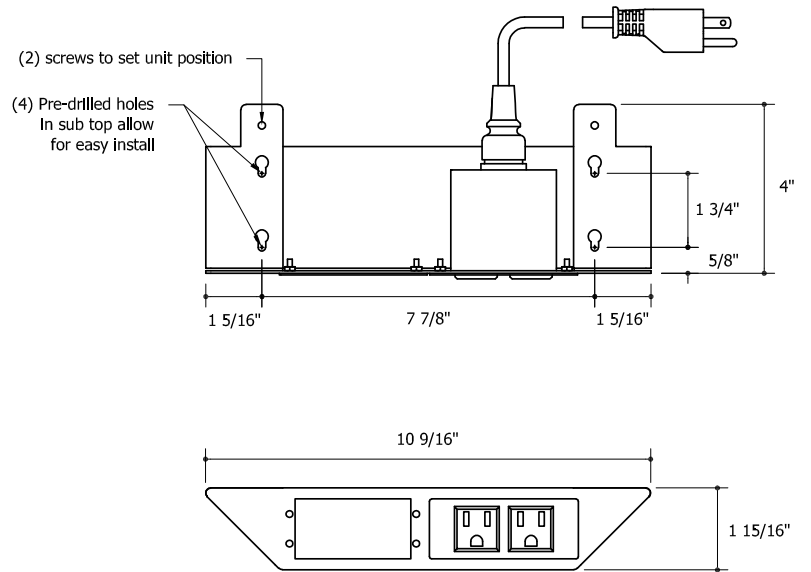
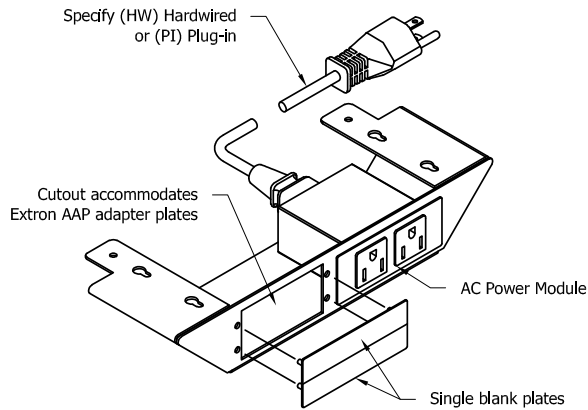
Conference Tables Power & Connectivity Undermount



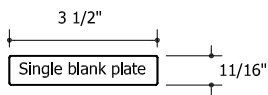
- Undermount access (shown populated)
- Provided with 1 AC power module - specify hardwired (HW) or plug in (PI), and 2 single space blank plates
 - For additional connectivity, replace blank plates with Extron single or double space AAP plates as desired. For more information see extron.com

Highline Collection

Conference Tables Power & Connectivity Undermount



- Interior: Black powder coat metallic finish (MC12)
- Provided with 1 AC power module - specify hardwired (HW) or plug in (PI), and 2 single space blank plates
- For additional connectivity, replace blank plates with Extron single or double space AAP plates as desired. For more information see extron.com



- AC Module Hardwired (HW)
- 3/8" diameter x 6' long metal-clad cable with 6" pigtail
 - Additional knockouts for series wiring
 - 12A max per module

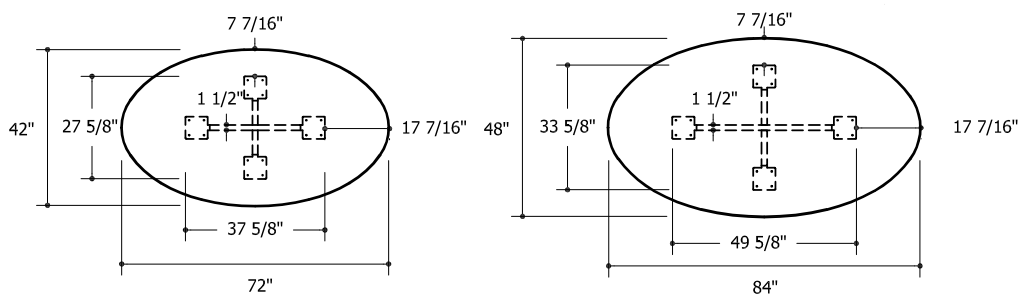
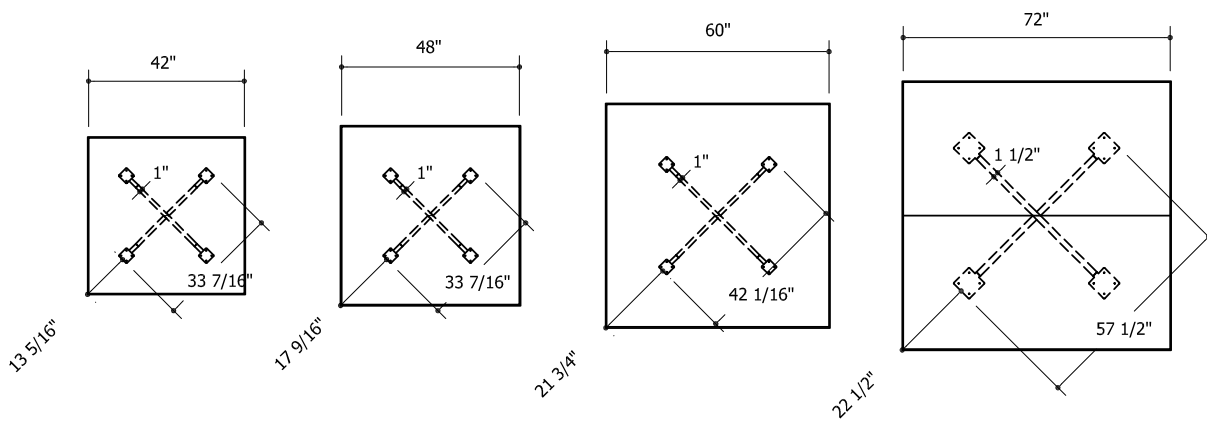
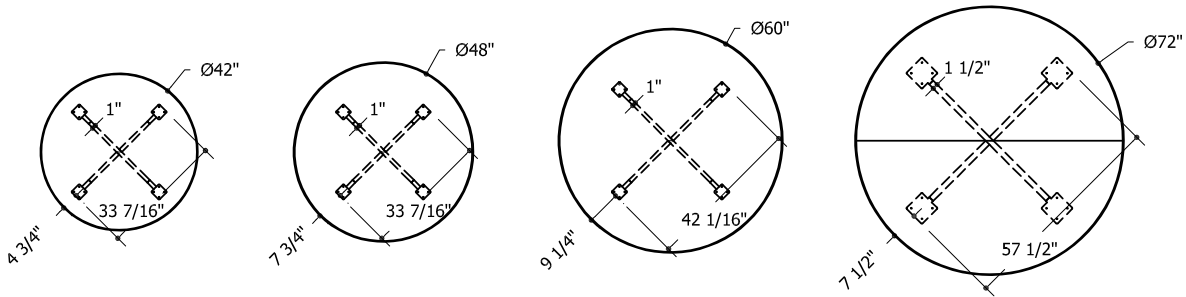
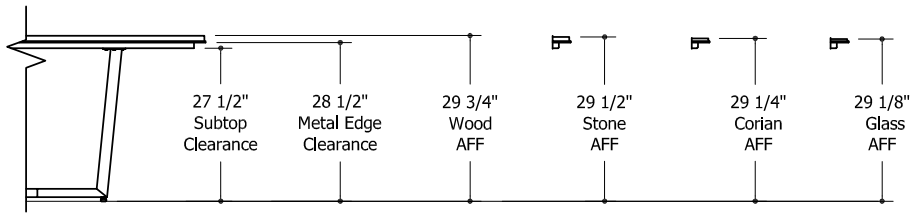


- AC Module Plug In (PI)
- 7.5' detachable soft cord
 - 6A max per module

Highline Collection

Meeting Tables

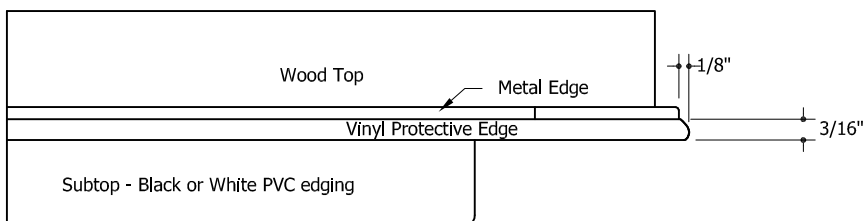
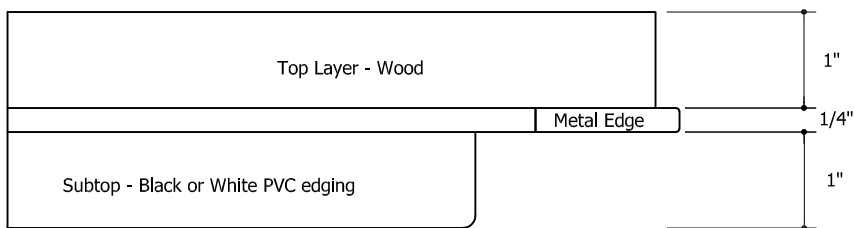
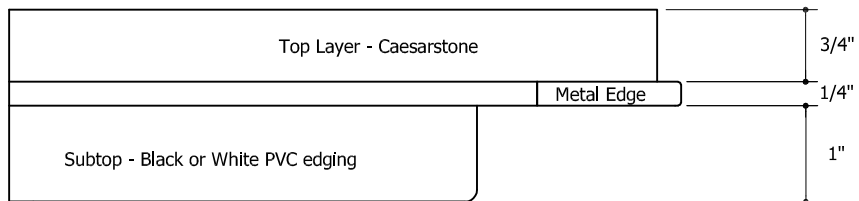
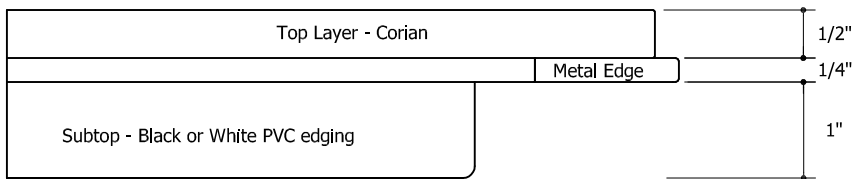
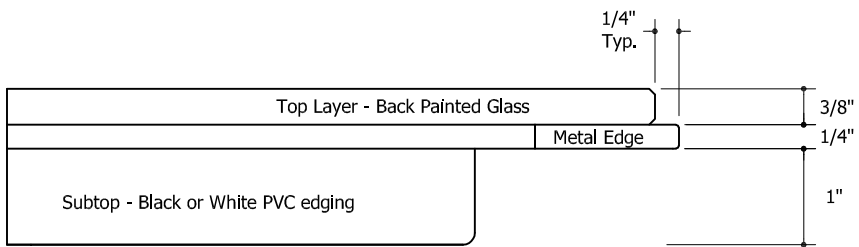
Overall Elevations and Clearance



Highline Collection

Meeting Tables

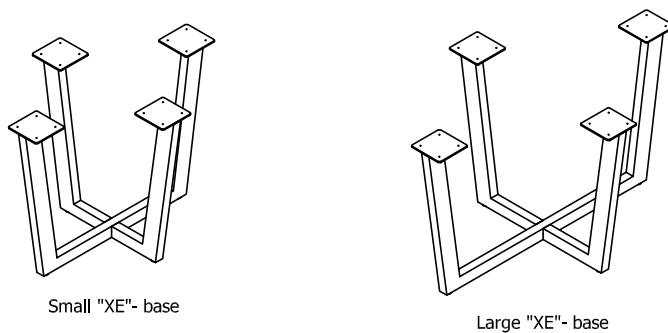
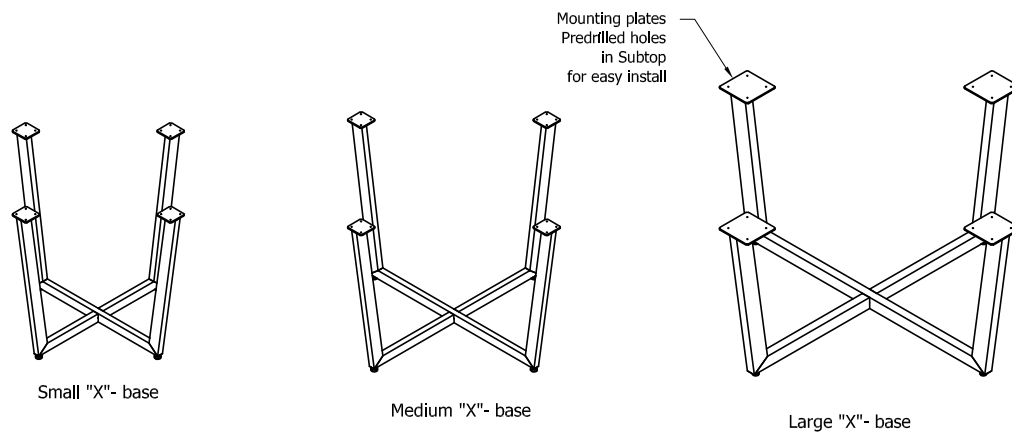
Top Construction



Highline Collection

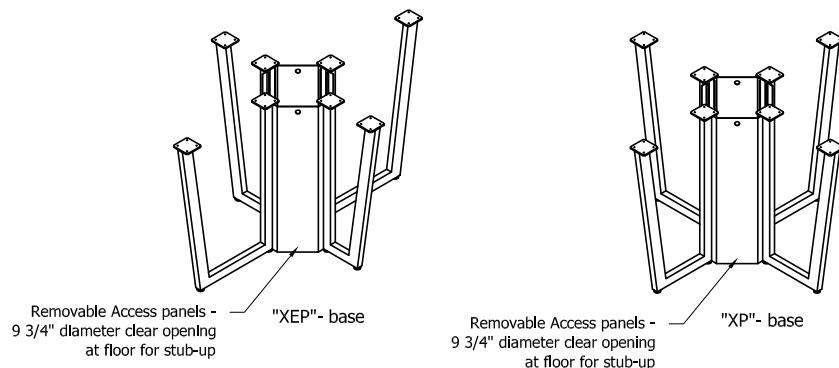
Meeting Tables

Base Construction



Construction

- Tubular steel "X" base
- Small "X" base: 42" / 48" Round and Square meeting tables
- Medium "X" base: 60" Round and Square meeting tables
- Large "X" base: 72" Round and Square meeting tables
- Small "XE" base: 42" Elliptical meeting tables
- Large "XE" base: 48" Elliptical meeting tables
- "XP" Wire Management base is automatically included when power and connectivity are specified on Square and Round meeting tables
- "XEP" Wire Management base is automatically included when power and connectivity are specified on Elliptical meeting tables

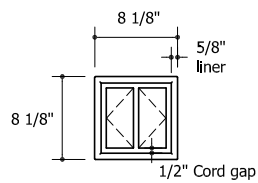


Highline Collection

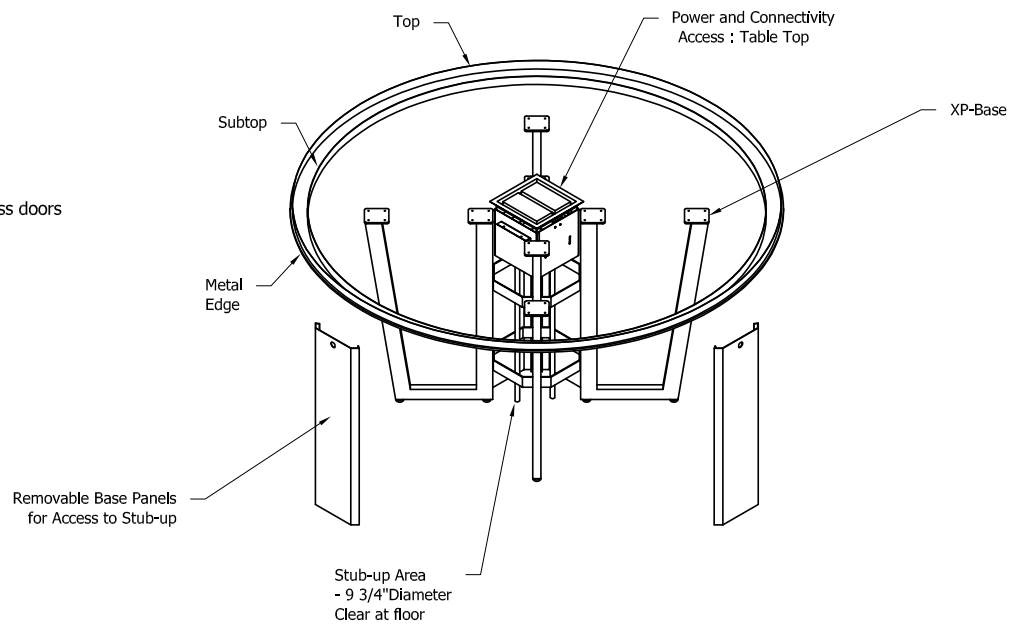
Meeting Tables

Power & Connectivity

Table Top



Metal Trim Liner with Matching Metal Access doors



Meeting Table Top access (shown populated)

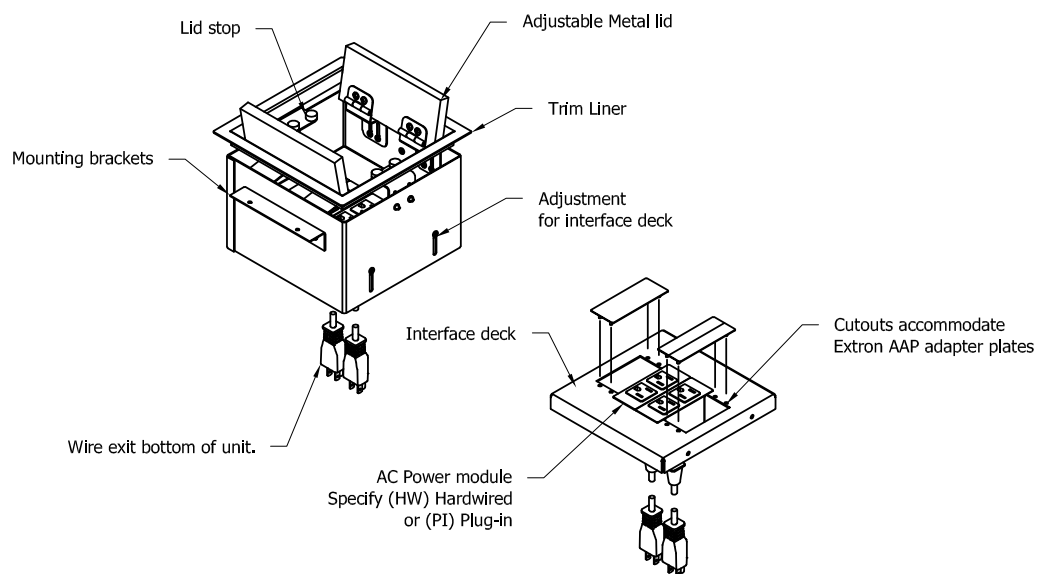
- Provided with 2 AC power modules - specify hardwired (HW) or plug in (PI), 1 double and 2 single space blank plates
- For additional connectivity, replace blank plates with Extron single or double space AAP plates as desired. For more information see extron.com

Highline Collection

Meeting Tables

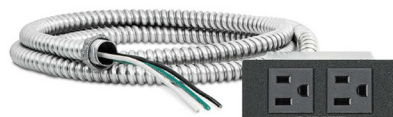
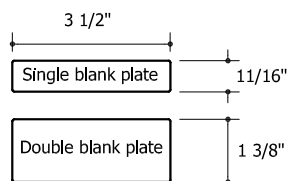
Power & Connectivity

Table Top



Meeting Table Top access

- Provided with 2 AC power modules - specify hardwired (HW) or plug in (PI), 1 double and 2 single space blank plates
- For additional connectivity replace blank plates with Extron single or double space AAP plates as desired. For more information see extron.com



- AC Module Hardwired (HW)
- 3/8" diameter x 6' long metal-clad cable with 6" pigtail
- Additional knockouts for series wiring
- 12A max per module



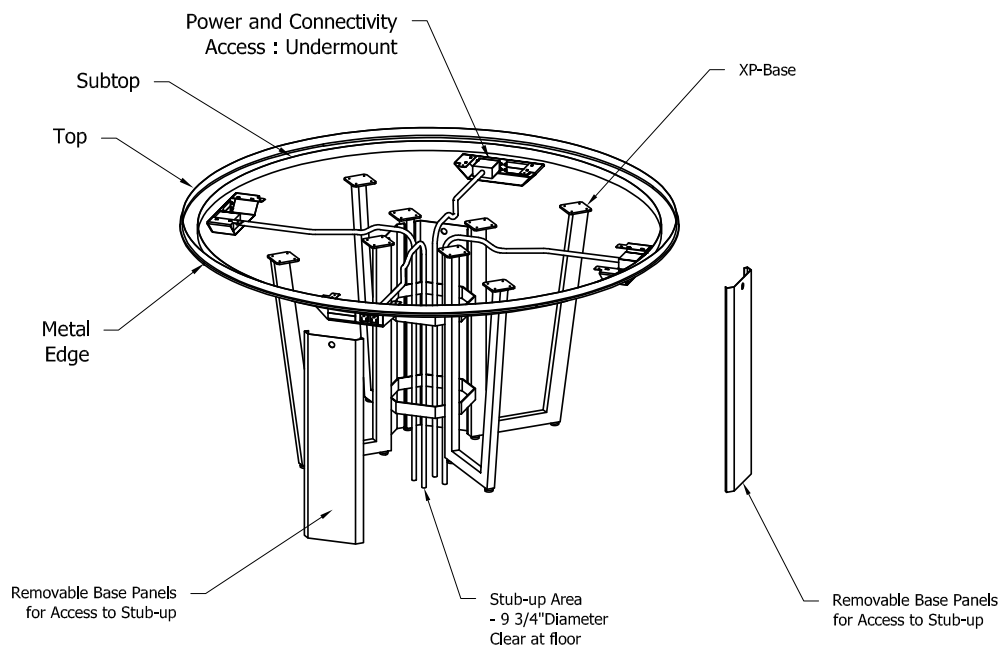
- AC Module Plug In (PI)
- 7.5' detachable soft cord
- 6A max per module

Highline Collection

Meeting Tables

Power & Connectivity

Undermount



Undermount access (shown populated)

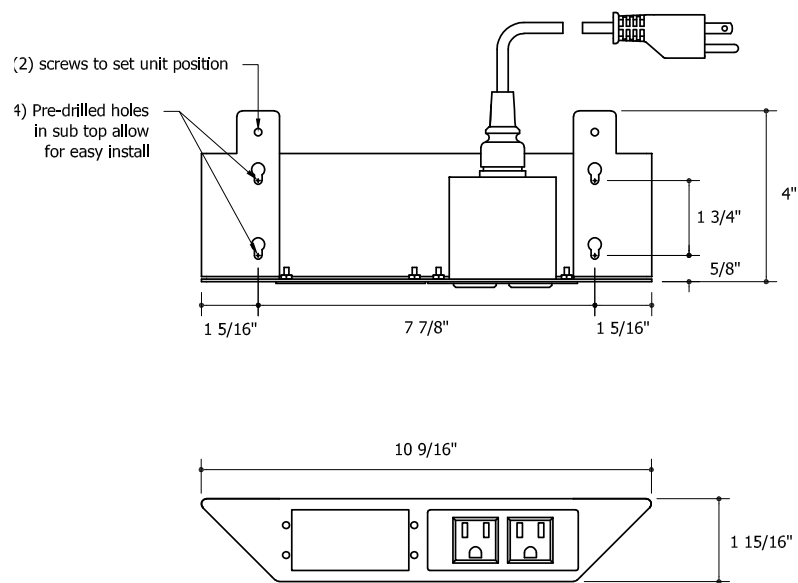
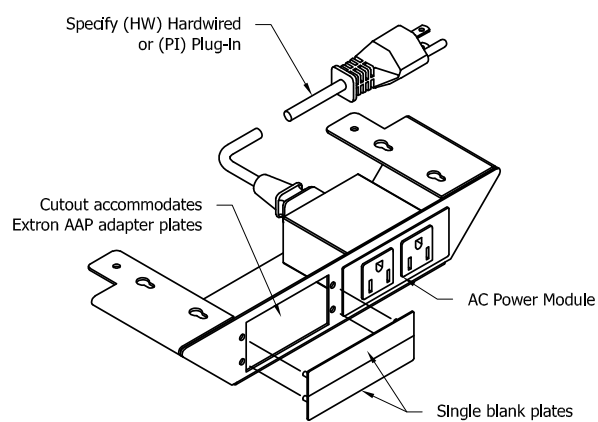
- Interior: Black powder coat metallic finish (MC12)
- Provided with 1 AC power module - specify hardwired (HW) or plug in (PI), and 2 single space blank plates
- For additional connectivity, replace blank plates with Extron single or double space AAP plates as desired. For more information see extron.com

Highline Collection

Meeting Tables

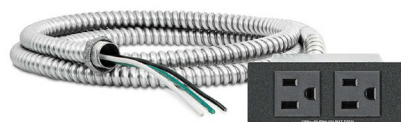
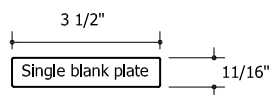
Power & Connectivity

Undermount



Undermount Access

- Interior: Black powder coat metallic finish (MC12)
- Provided with 1 AC power module - specify hardwired (HW) or plug in (PI), and 2 single space blank plates
- For additional connectivity, replace blank plates with Extron single or double space AAP plates as desired. For more information see extron.com



- AC Module Hardwired (HW)
- 3/8" diameter x 6' long metal-clad cable with 6" pigtail
 - Additional knockouts for series wiring
 - 12A max per module

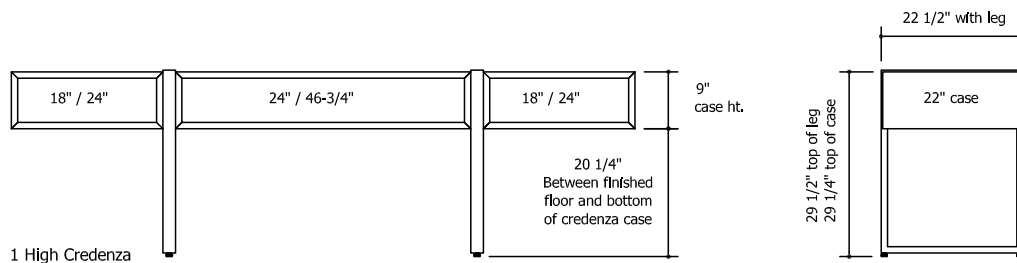
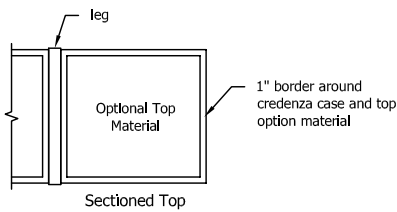
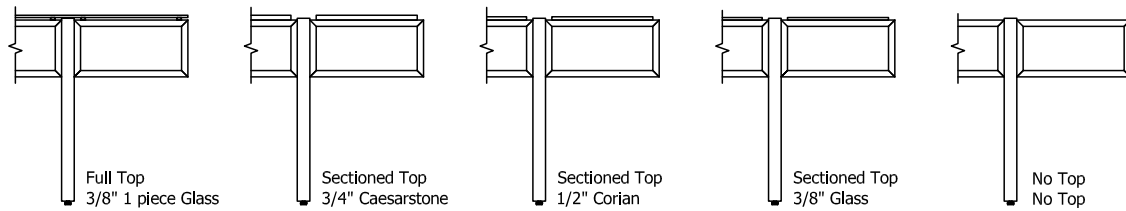


- AC Module Plug In (PI)
- 7.5' detachable soft cord
 - 6A max per module

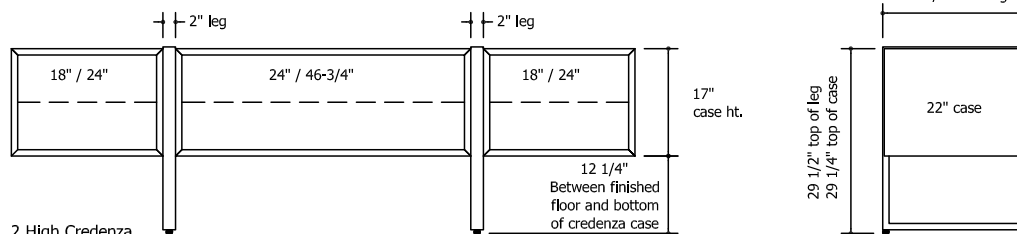
Highline Collection

Credenzas

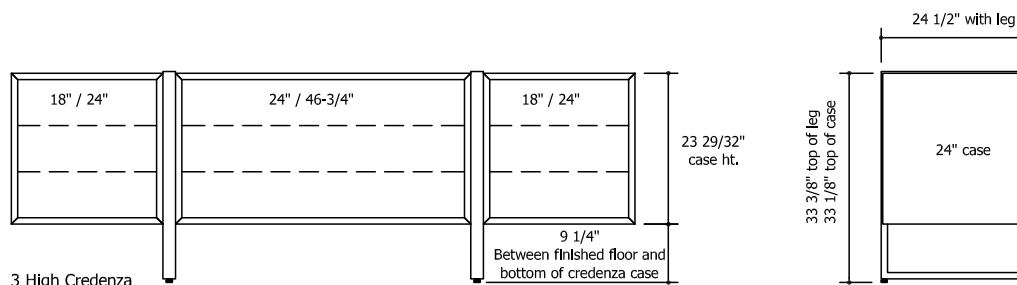
Elevations and Optional Tops



1 High Credenza



2 High Credenza

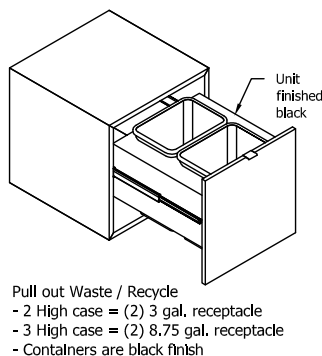
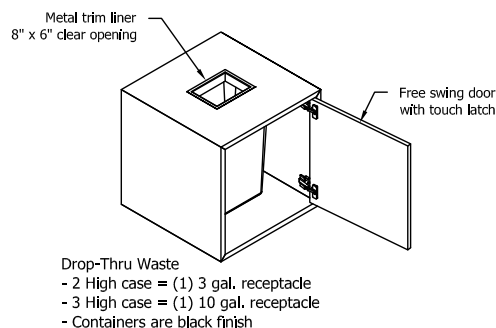
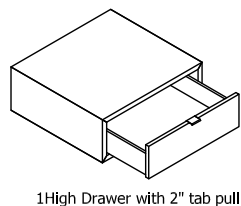
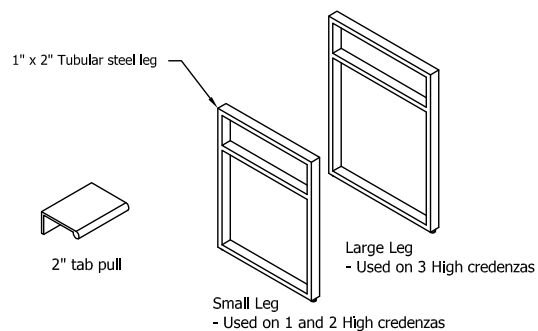


3 High Credenza

Highline Collection

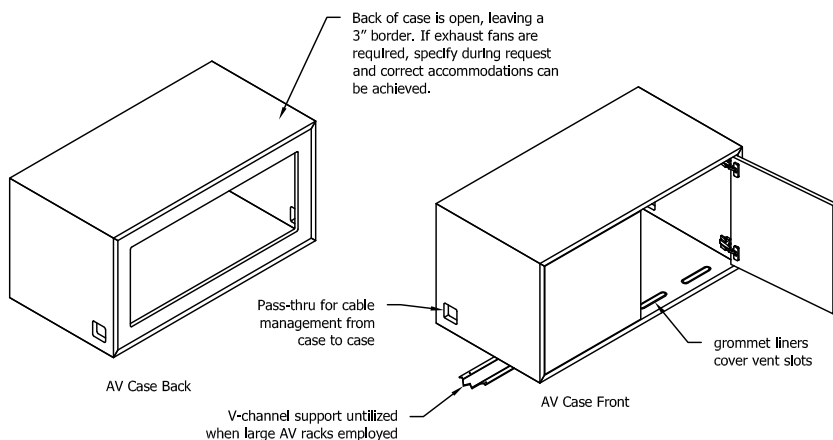
Credenza

Leg and Case Details



Credenza Notes

- Pulls and trash liners come in the specified metal finish
- All drawers have a 2" tab pull located in the center of the top edge of each drawer front
- All drawers use partial extension, self-closing undermount slides
- Pull-out trash units use full extension side mount slides
- All doors use free swing hinges and touch latches
- All credenza top material finishes are secured to the case with silicone except for tops finished with full clear glass (FG GC00)
- Full clear glass (FG GC00) rests atop of 3/8" bumpers located on top of case
- Drop-through trash option is available with all top options except with full clear glass (FG GC00)



AV CASE

- All AV cases have an open back with a 3" border
- Coordinate AV requirements with the interior clearance dimensions provided below to ensure fit

18" Case

14.25" wide x 22.18" deep x 21.15" high

24" Case

20.25" wide x 22.18" deep x 21.15" high

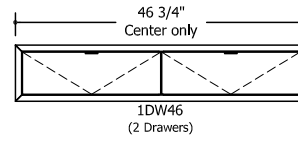
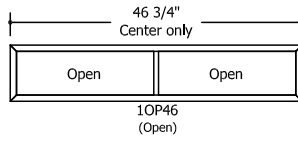
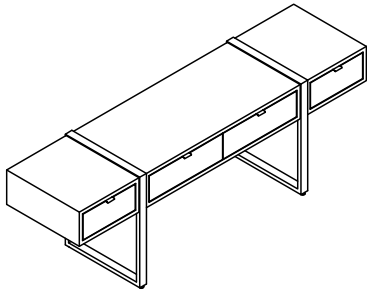
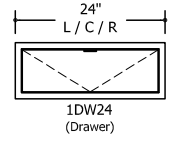
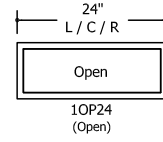
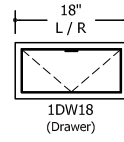
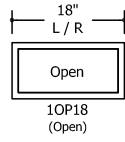
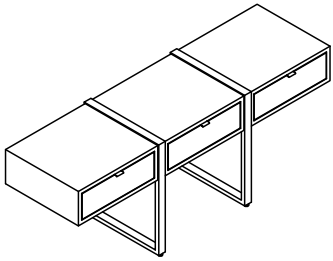
47" Case

41.25" wide x 22.18" deep x 21.15" high

Highline Collection

1 High Credenza

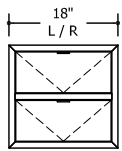
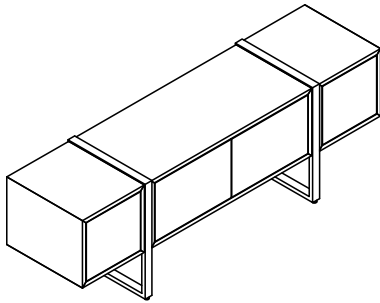
Positional Configurations



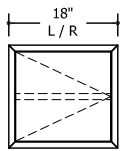
Highline Collection

2 High Credenzas

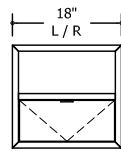
Positional Configurations



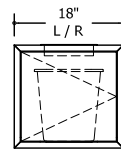
2DW18
(2 Drawers)



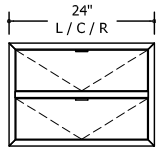
2DR18
(Door w/adj. Shelf)



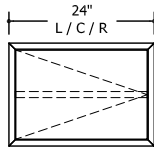
2OW18
(Open over Drawer)



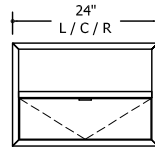
2TT18
(Trash thru Top
w/1 single can only)



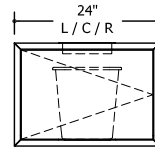
2DW24
(2 Drawers)



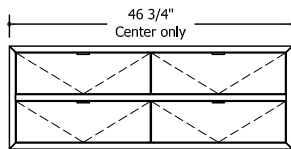
2DR24
(Door w/adj. Shelf)



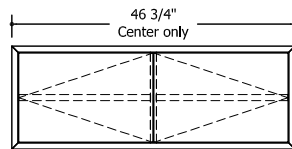
2OW24
(Open over Drawer)



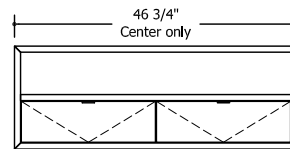
2TT24
(Trash thru Top
w/1 single can only)



2DW46
(4 Drawers)



2DR46
(2 Doors w/2 adj. Shelves)

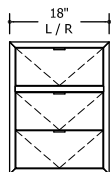
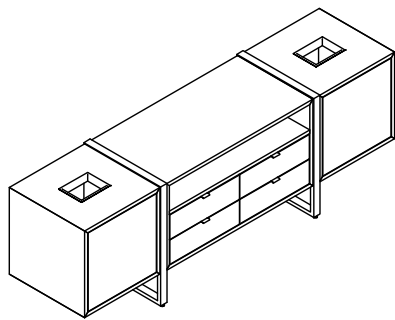


2OW46
(Open over 2 Drawers)

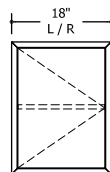
Highline Collection

3 High Credenzas

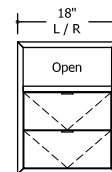
Positional Configurations



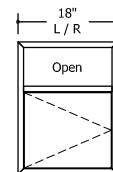
3DW18
(3 Drawers)



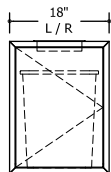
3DR18
(Door w/adj. shelf)



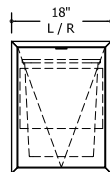
3OW18
(Open over 2 Drawers)



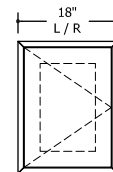
3OR18
(Open over Door)



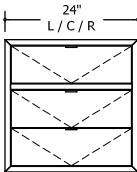
3TT18
(Trash thru top
w/1 single can only)



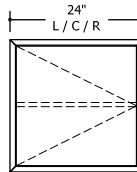
3TP18
(Trash pullout w/2
single cans front to back)



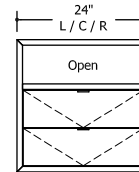
3AV18
(AV case, venting,
Large wire access)



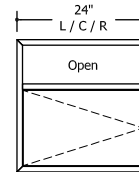
3DW24
(3 Drawers)



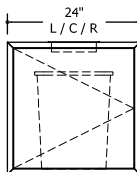
3DR24
(Door w/adj. shelf)



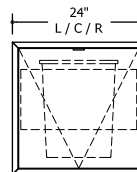
3OW24
(Open over 2 Drawers)



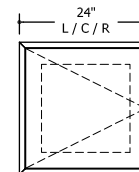
3OR24
(Open over Door)



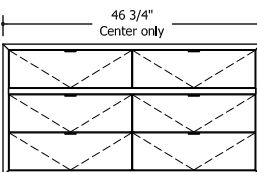
3TT24
(Trash thru top
w/1 single can only)



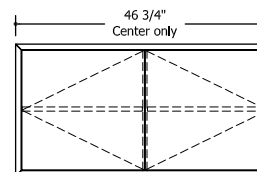
3TP24
(Trash pullout w/2
single cans front to back)



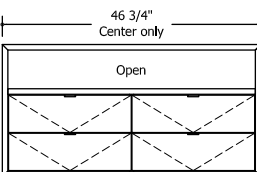
3AV24
(AV case, venting,
Large wire access)



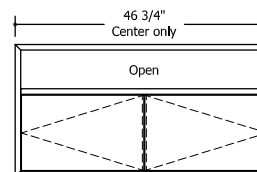
3DW46
(6 Drawers)



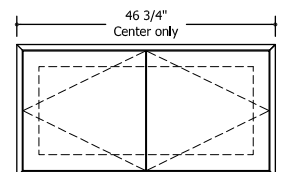
3DR46
(2 Doors w/2adj. shelf)



3OW46
(Open over 4 Drawers)



3OR46
(Open over Doors)

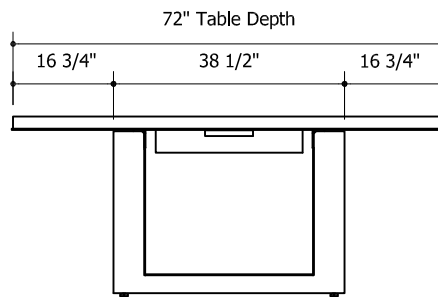
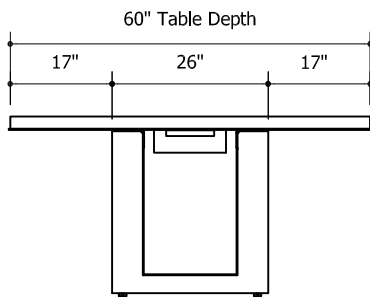
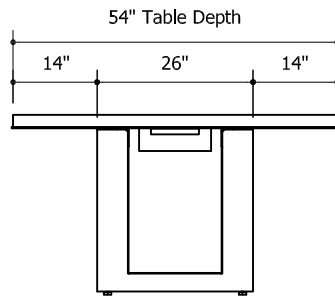
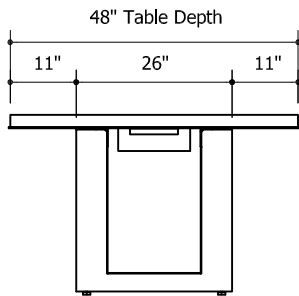
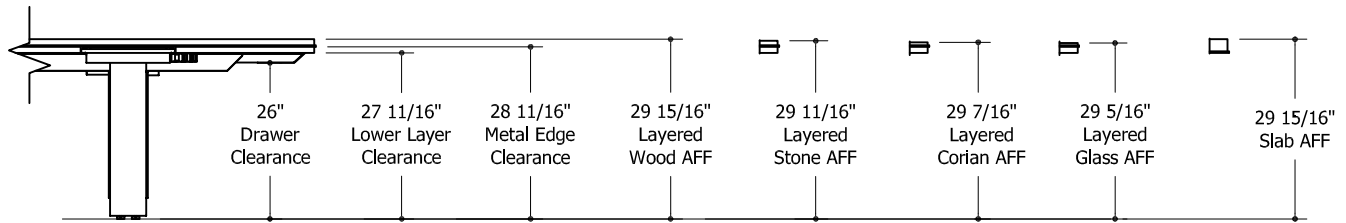


3AV46
(AV case, venting, Large wire access)

Highline Fifty Collection

Conference Tables

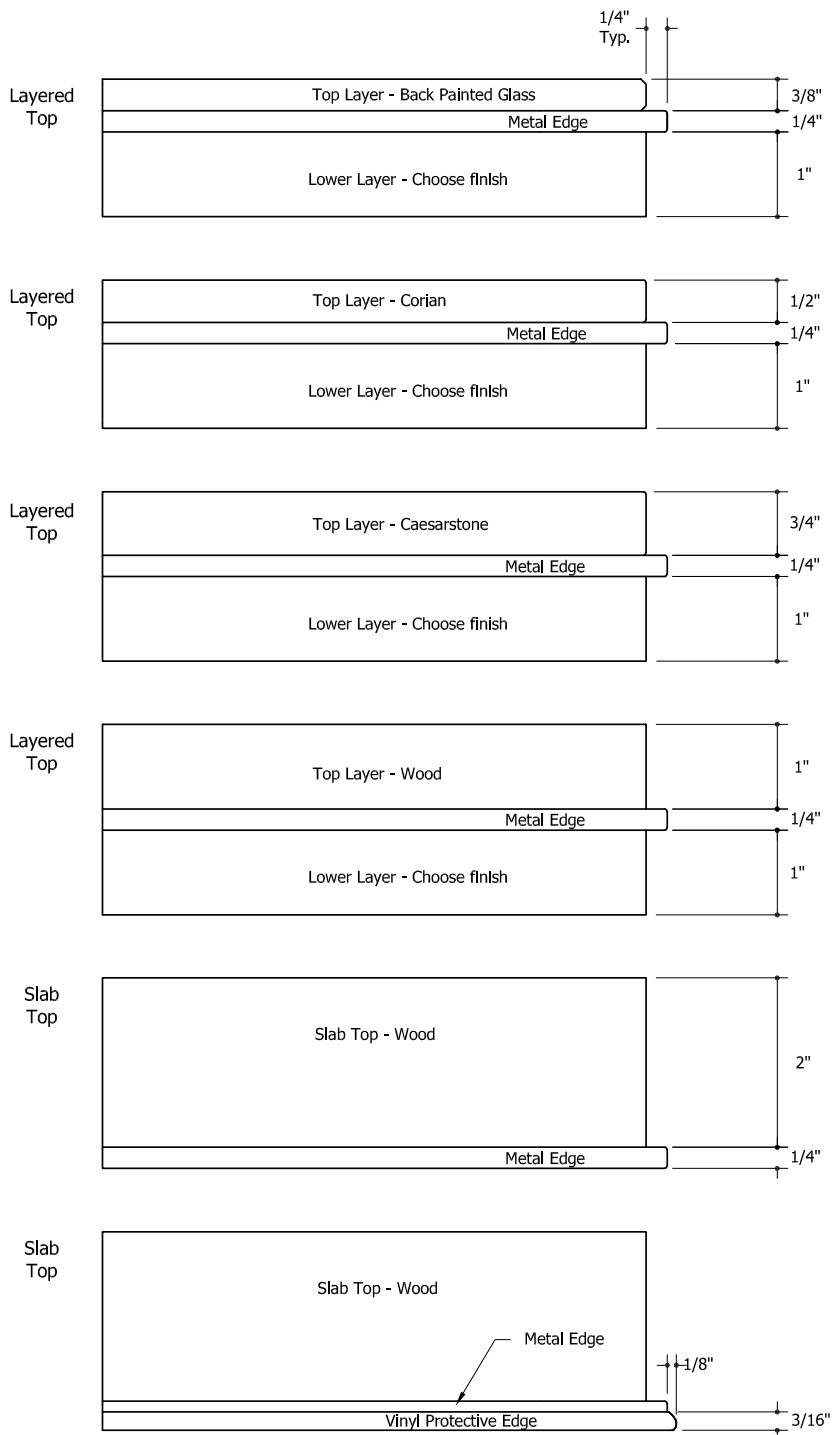
Overall Elevations and Clearance



Highline Fifty Collection

Conference Tables

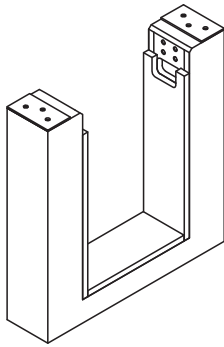
Top Construction



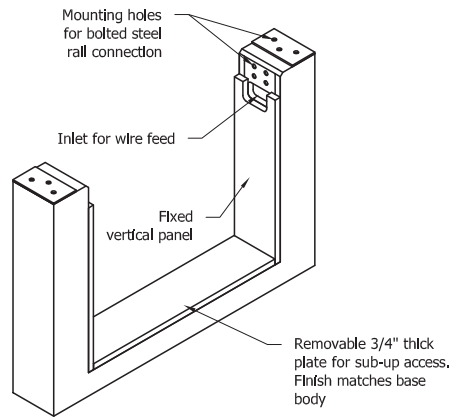
Highline Fifty Collection

Conference Tables

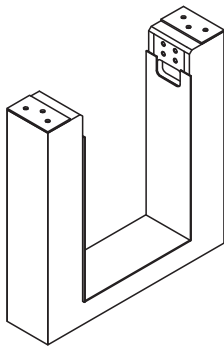
Base Construction



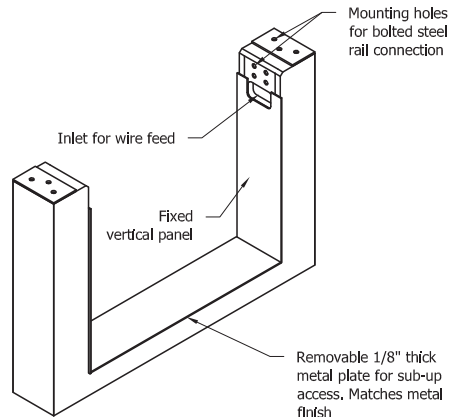
Small base : 42" / 48" / 54" / 60" Deep Tables
"ON" Open Base, no metal trim



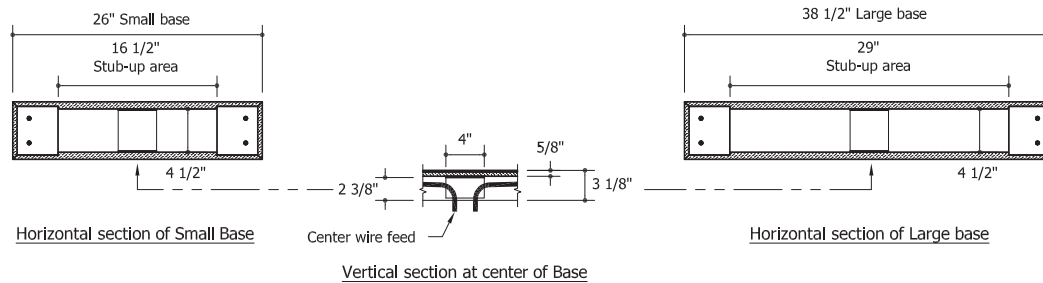
Large base : 72" Deep Tables
"ON" Open Base, no metal trim



Small base : 42" / 48" / 54" / 60" Deep Tables
"OT" Open Base, with metal trim

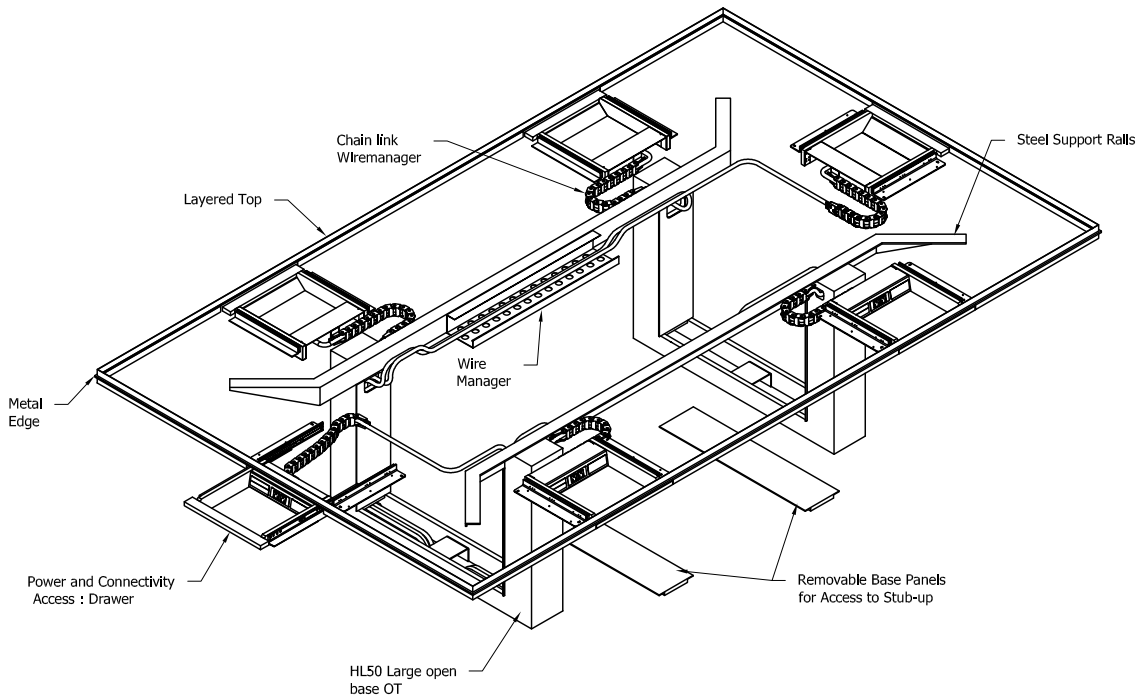


Large base : 72" Deep Tables
"OT" Open Base, with metal trim



Highline Fifty Collection

Conference Tables
Power & Connectivity
Drawers

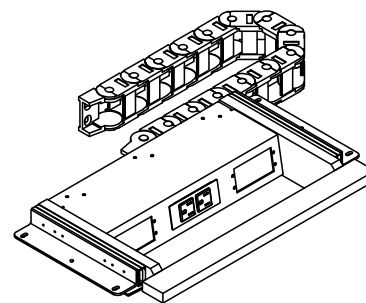
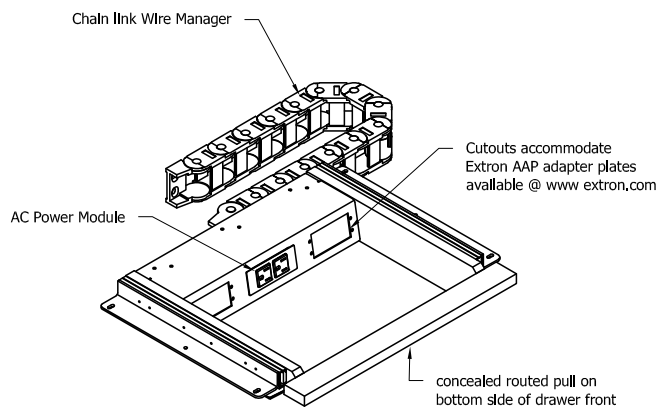


Drawer (shown populated)

- Interior: Black powder coat metallic finish (MC12)
- Provided with 1 AC power module - specify hardwired (HW) or plug in (PI), and 2 single space blank plates
- For additional connectivity, replace blank plates with Extron single or double space AAP plates as desired. For more information see extron.com

Highline Fifty Collection

Conference Tables Power & Connectivity Drawers

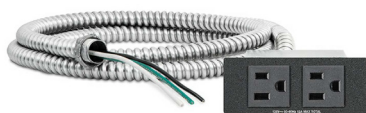
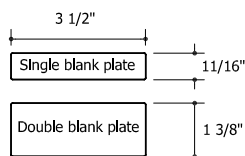


Large Drawer

- 6 1/2" deep x 12 3/4" wide flat storage with 2 1/2" interior height
- 3/8" gap above drawer for cord exit
- Concealed routed finger pull under front
- Used at table ends
- Used along the length of 60" / 72" deep tables
- Interior drawer finish: Black powder coat metallic (MC12)
- Drawer front matches lower layer finish
- Provided with 1 AC power module - specify hardwired (HW) or plug in (PI), and 2 single space blank plates

Small Drawer

- 1 7/8" deep x 12 3/4" wide flat storage with 2 1/2" interior height
- 3/8" gap above drawer for cord exit
- Concealed routed finger pull under front
- Used along the length of 48" / 54" deep tables
- Interior drawer finish: Black powder coat metallic (MC12)
- Drawer front matches lower layer finish
- Provided with 1 AC power module - specify hardwired (HW) or plug in (PI), and 2 single space blank plates



AC Module Hardwired (HW)

- 3/8" diameter x 6' long metal-clad cable with 6" pigtail
- Additional knockouts for series wiring
- 12A max per module



AC Module Plug In (PI)

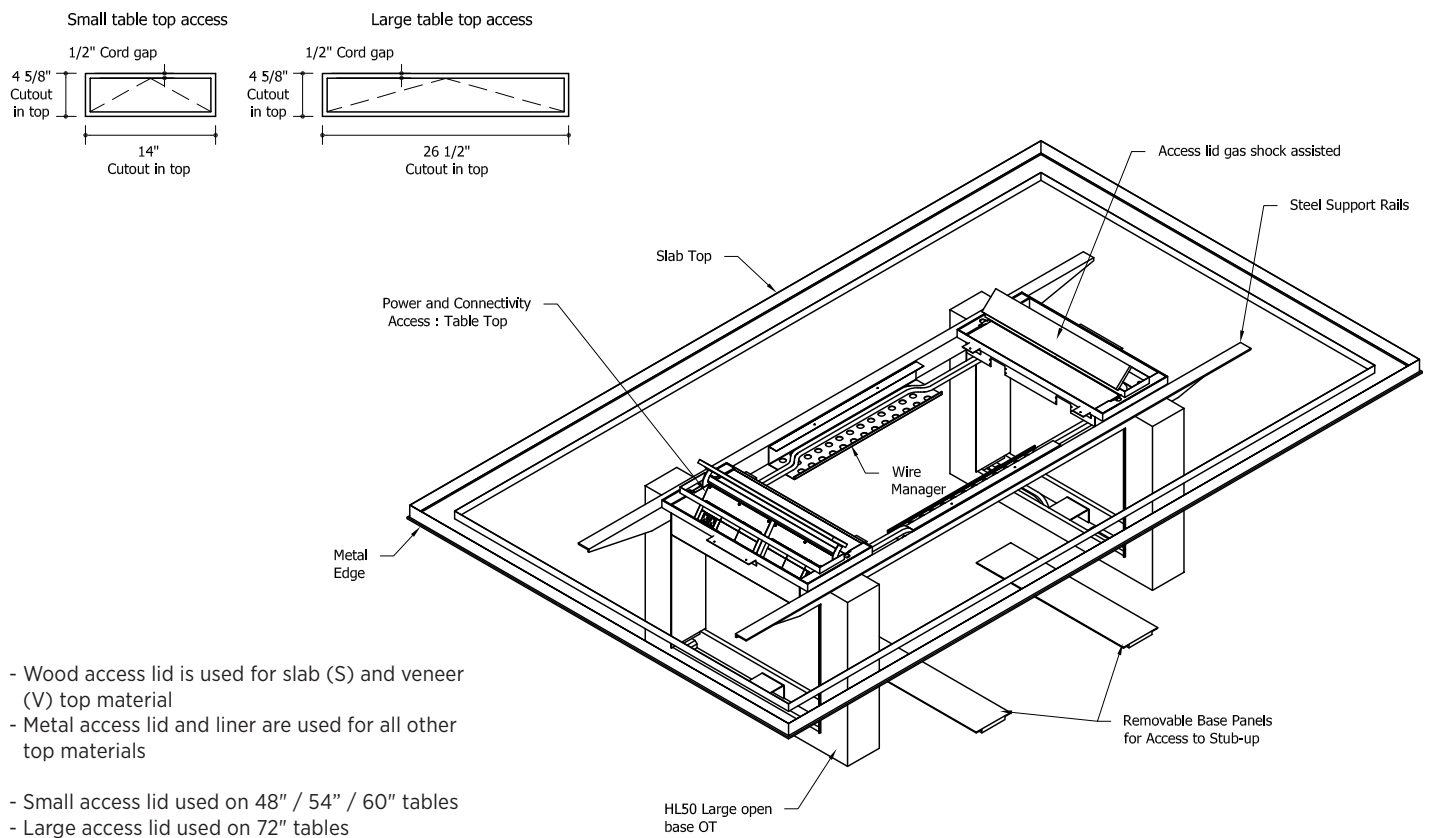
- 7.5' detachable soft cord
- 6A max per module

Highline Fifty Collection

Conference Tables

Power & Connectivity

Table Top: Small and Large



Small Table Top access (shown populated)

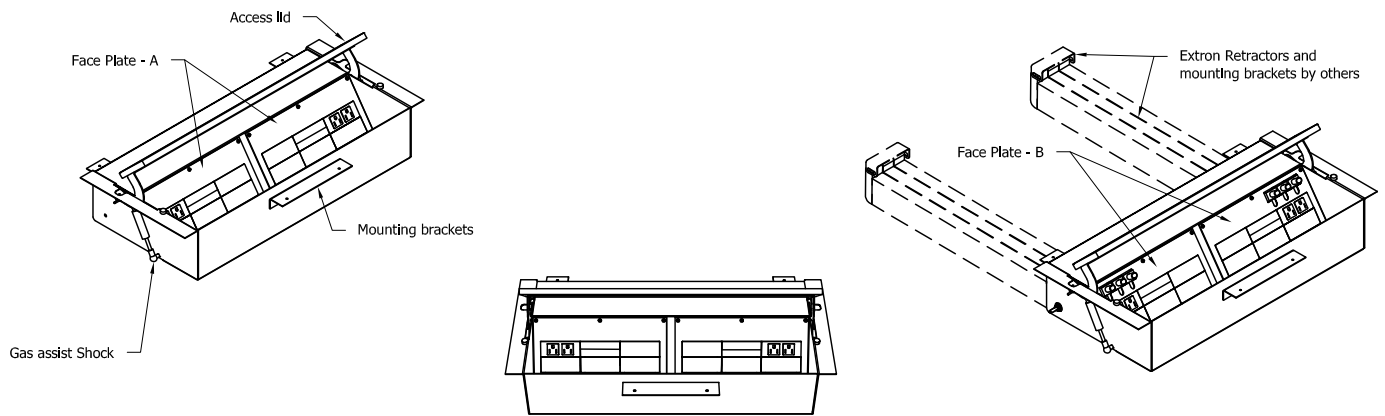


Small Table Top access (shown with optional faceplate)

- Provided with 2 AC power modules - specify hardwired (HW) or plug in (PI), 3 double space and 2 single space blank plates
- For additional connectivity, replace blank plates with Extron single or double space AAP plates as desired. For more information see extron.com

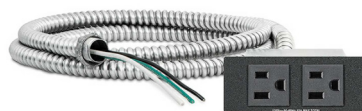
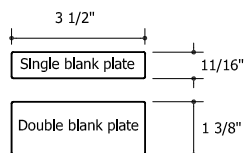
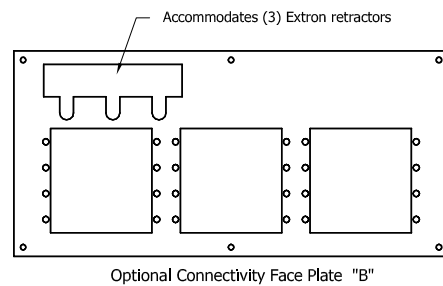
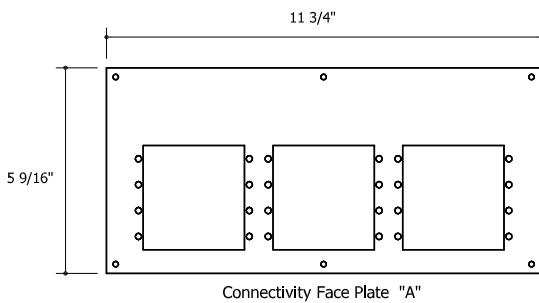
Highline Fifty Collection

Conference Tables Power & Connectivity Table Top: Large



- Interior: Black powder coat metallic finish (MC12)
- Used on 48" / 54" / 60" width tables
- Connectivity: Face Plate "A" Qty 2 is standard
- Connectivity: Face Plate "B" Is used with Extron retractors
- Face Plates are removable to allow for easy population by AV installer

- Provided with 2 AC power modules - specify hardwired (HW) or plug in (PI), 8 double space and 4 single space blank plates
- For additional connectivity, replace blank plates with Extron single or double space AAP plates as desired. For more information see extron.com



- AC Module Hardwired (HW)
- 3/8" diameter x 6' long metal-clad cable with 6" pigtail
 - Additional knockouts for series wiring
 - 12A max per module



- AC Module Plug In (PI)
- 7.5' detachable soft cord
 - 6A max per module

Highline Fifty Collection

Conference Tables Power & Connectivity Table Top Small

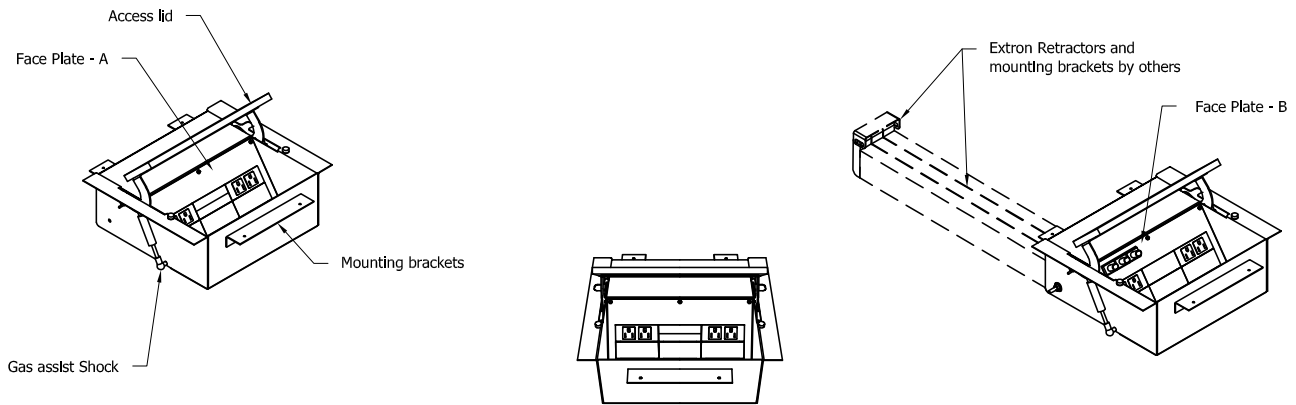
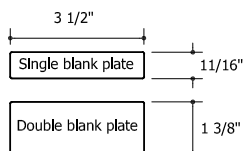
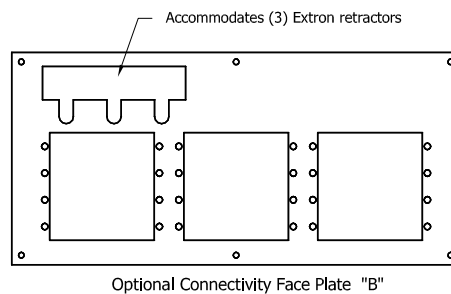
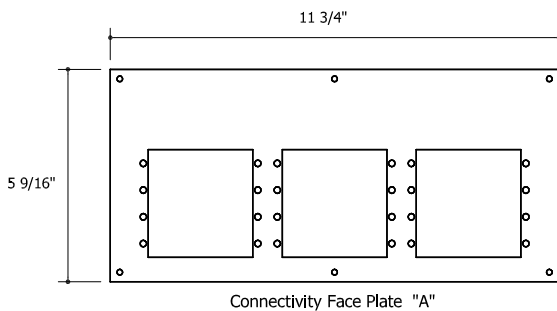


Table Top Access

- Interior: Black powder coat metallic finish (MC12)
- Used on 72" tables
- Connectivity: Face Plate "A" Qty 1 is standard
- Connectivity: Face Plate "B" Is used with Extron retractors
- Face Plates are removable to allow for easy population by AV installer

- Provided with 2 AC power modules - specify hardwired (HW) or plug in (PI), 4 double space and 2 single space blank plates
- For additional connectivity, replace blank plates with Extron single or double space AAP plates as desired. For more information see extron.com



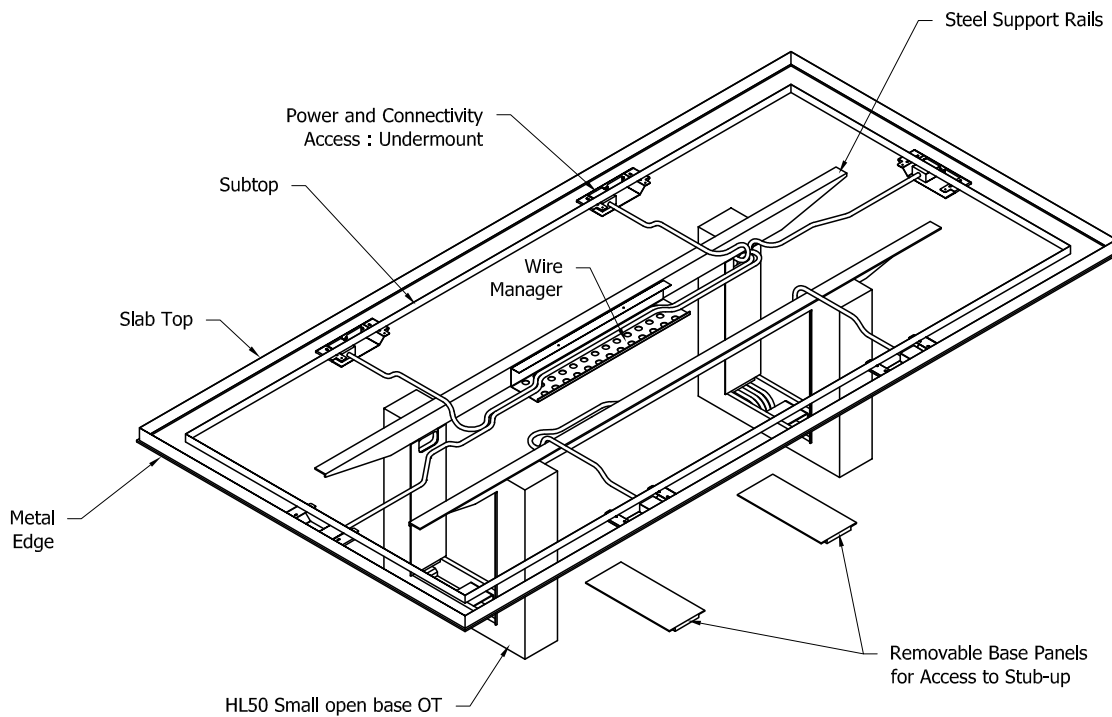
- AC Module Hardwired (HW)
- 3/8" diameter x 6' long metal-clad cable with 6" pigtail
 - Additional knockouts for series wiring
 - 12A max per module



- AC Module Plug In (PI)
- 7.5' detachable soft cord
 - 6A max per module

Highline Fifty Collection

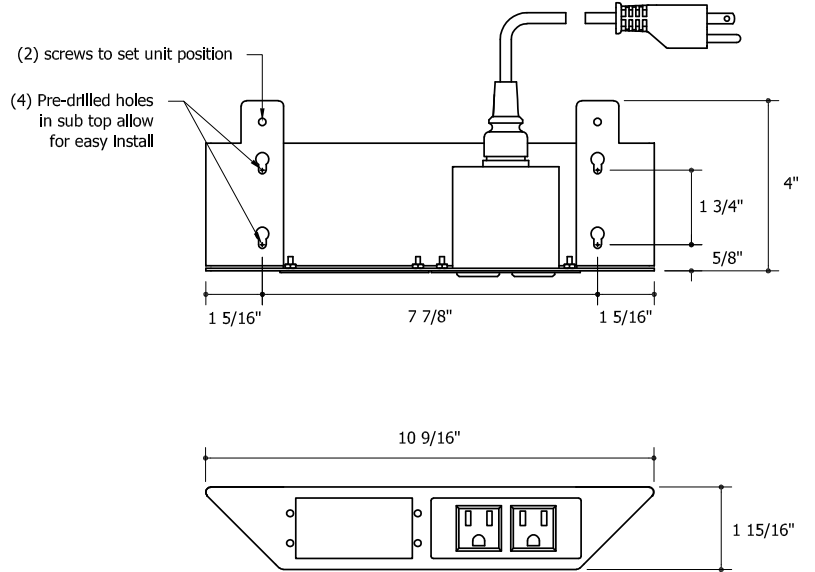
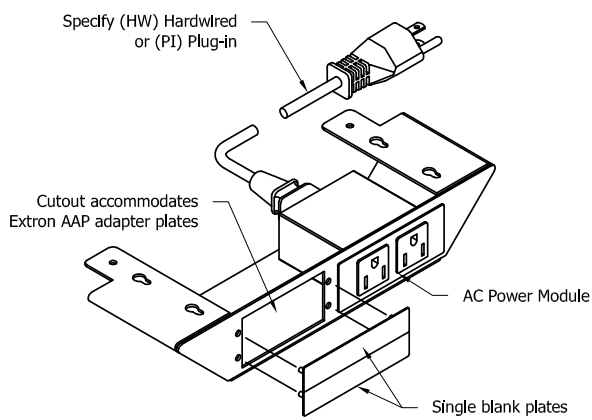
Conference Tables
Power & Connectivity
Undermount



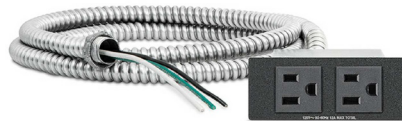
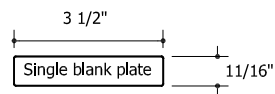
Undermount access (shown populated)
- Black powder coat metallic finish (MC12)
- Provided with 1 AC power module - specify hardwired (HW) or plug in (PI), and 2 single space blank plates
- For additional connectivity replace blank plates with Extron single or double space AAP plates as desired. For more information see extron.com

Highline Fifty Collection

Conference Tables Power & Connectivity Undermount



- Black powder coat metallic finish (MC12)
- Provided with 1 AC power module - specify hardwired (HW) or plug in (PI), and 2 single space blank plates
- For additional connectivity replace blank plates with Extron single or double space AAP plates as desired. For more information see extron.com



- AC Module Hardwired (HW)
- 3/8" diameter x 6' long metal clad cable with 6" pigtail
 - Additional knockouts for series wiring
 - 12A max per module

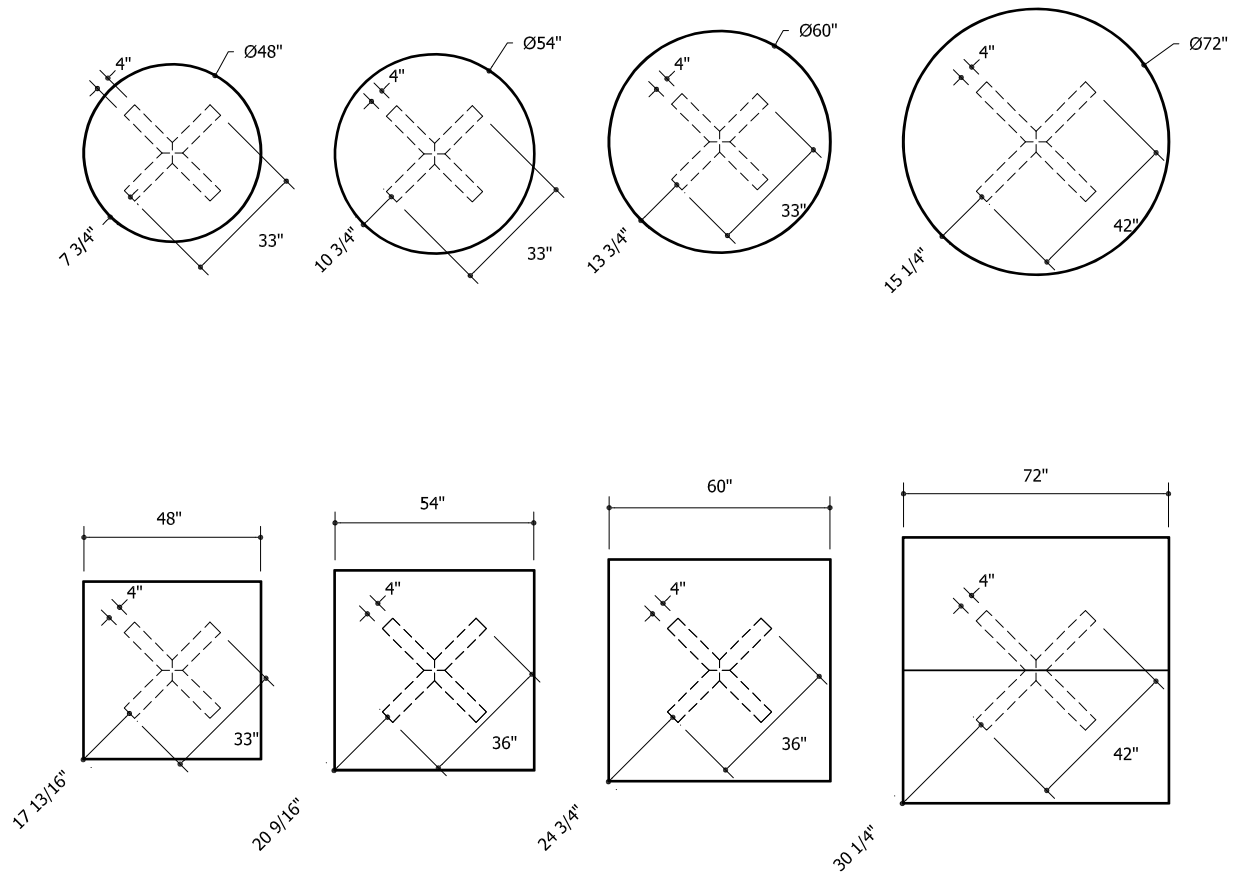
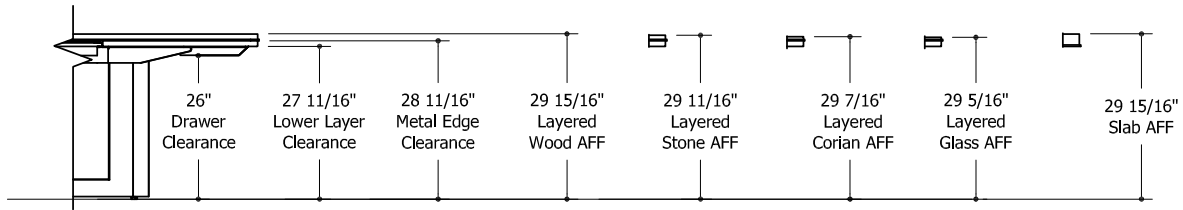


- AC Module Plug In (PI)
- 7.5' detachable soft cord
 - 6A max per module

Highline Fifty Collection

Meeting Tables

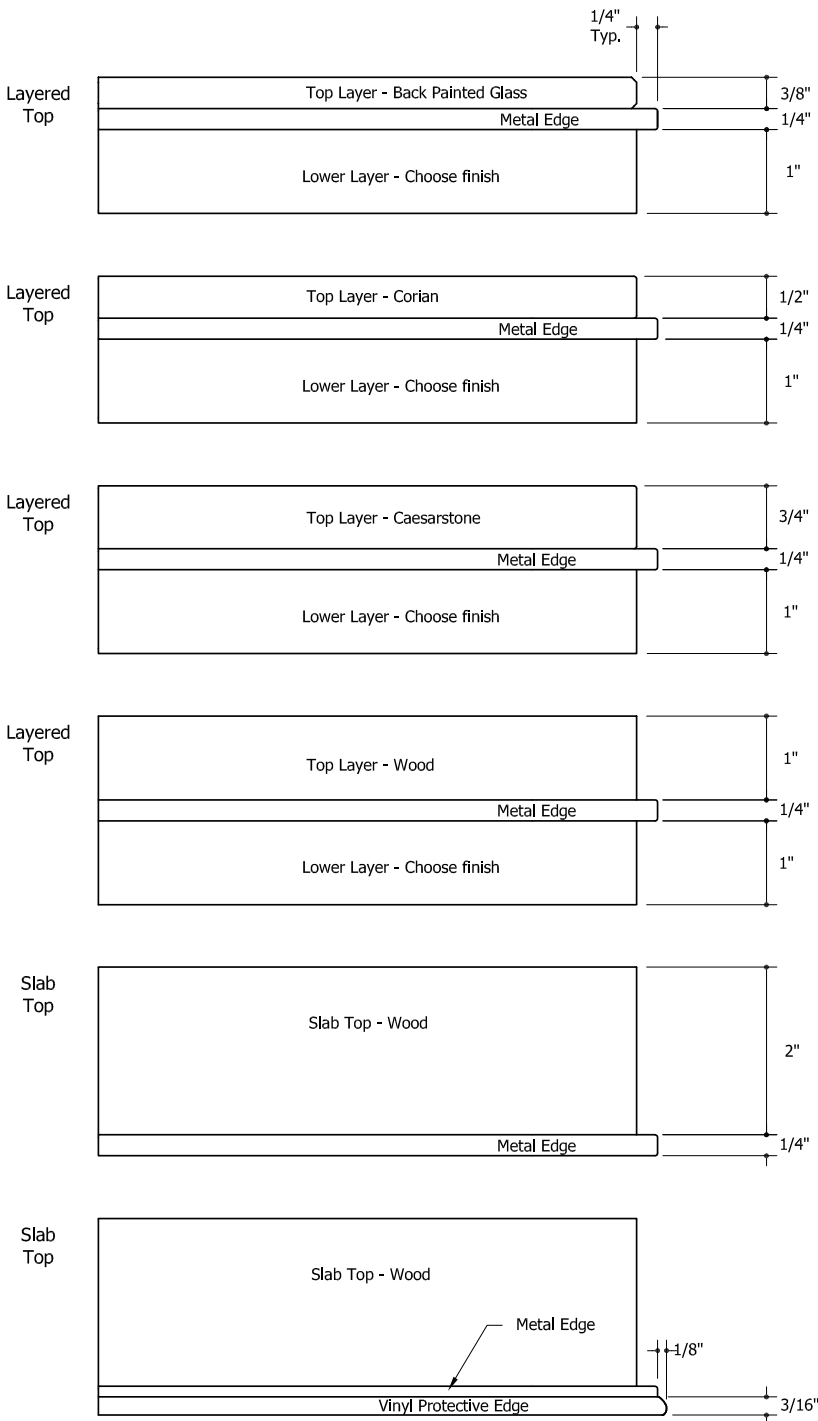
Overall Elevations and Clearance



Highline Fifty Collection

Meeting Tables

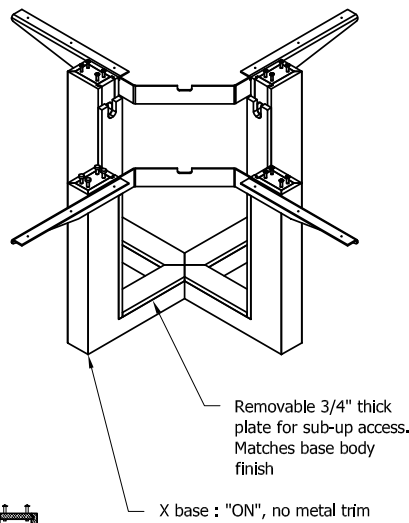
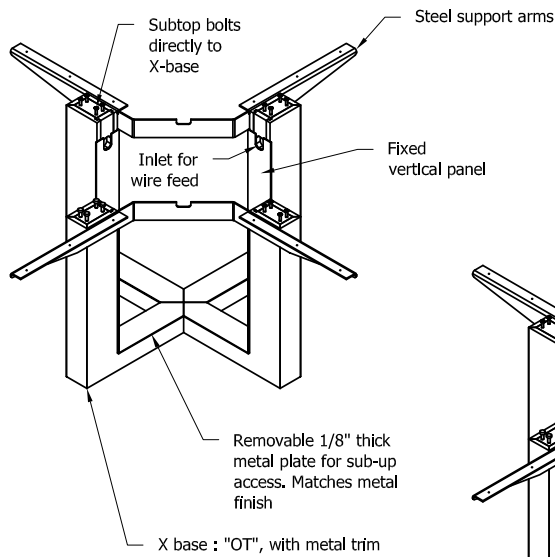
Top Construction



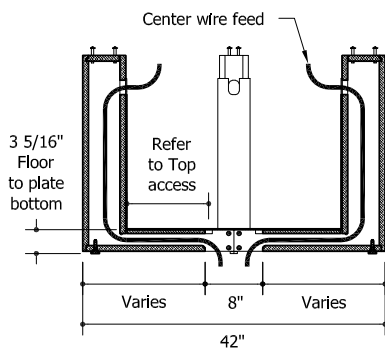
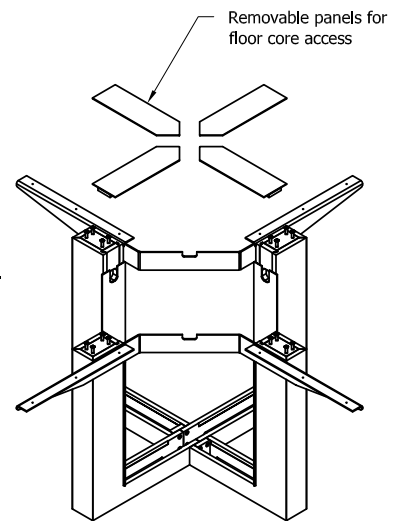
Highline Fifty Collection

Meeting Tables

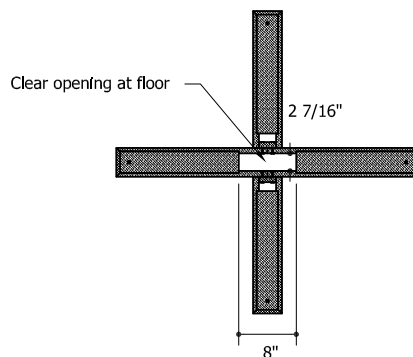
Base Construction



- HL03 X base :
- 33" fits - 48" Round
 - 48" Square
 - 54" Round
- 36" fits - 54" Square
 - 60" Round
 - 60" Square
- 42" fits - 72" Round
 - 72" Square



- Top access:
- 33" - 2 3/8" x 6 7/8"
 - 36" - 2 3/8" x 8 3/8"
 - 42" - 2 3/8" x 11 3/8"

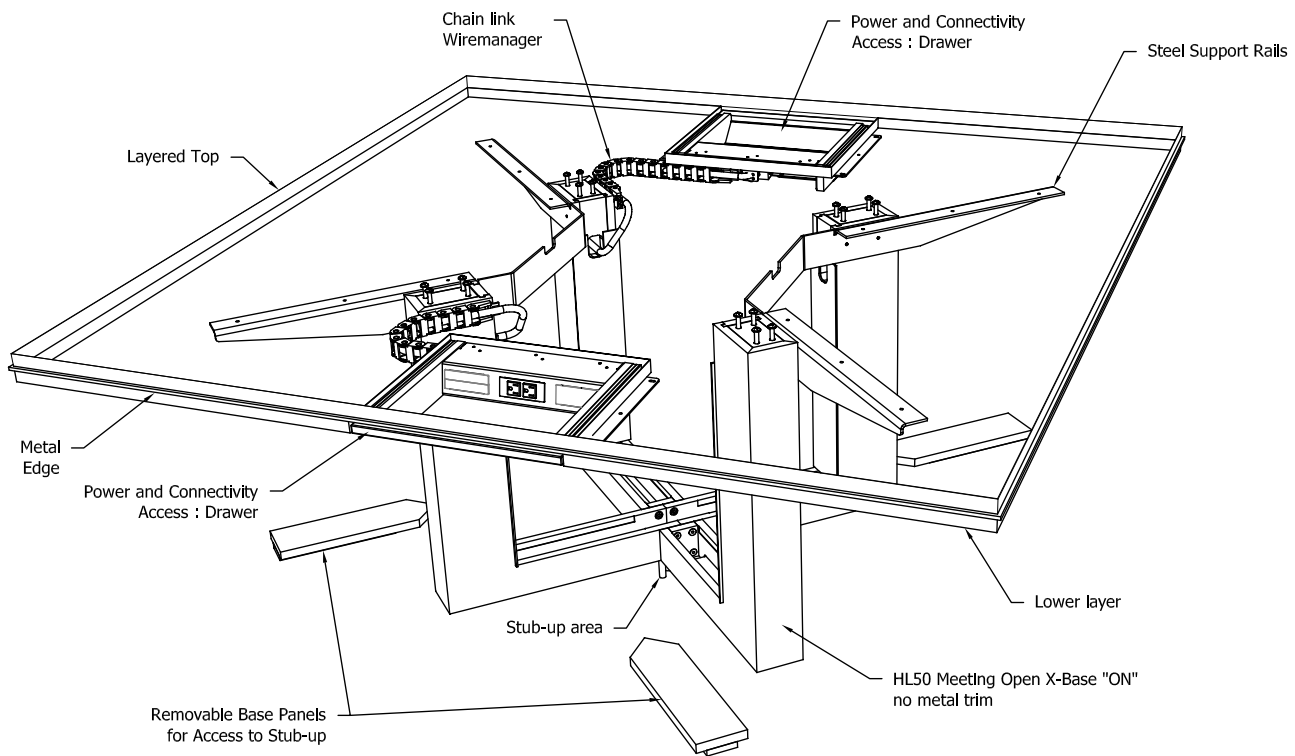


Highline Fifty Collection

Meeting Tables

Power & Connectivity

Drawers



Drawer (shown populated)

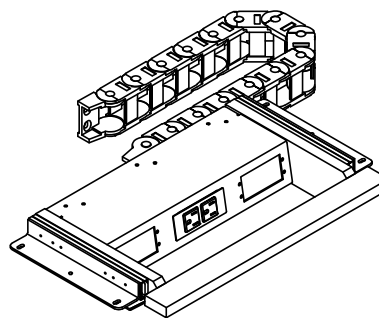
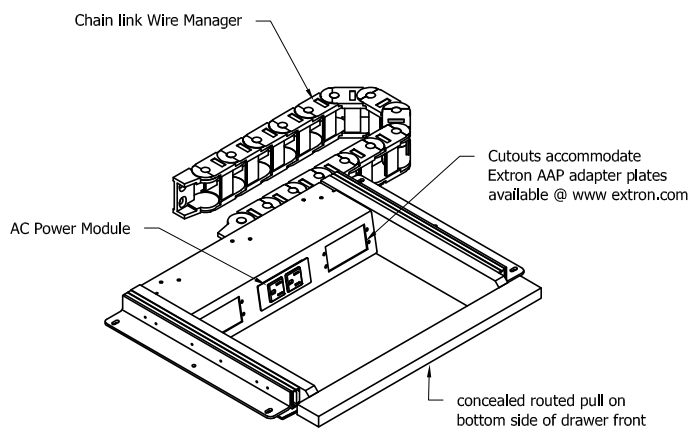
- Black powder coat metallic finish (MC12)
- Provided with 1 AC power module - specify hardwired (HW) or plug in (PI), and 2 single space blank plates
- For additional connectivity replace blank plates with Extron single or double space AAP plates as desired. For more information see extron.com

Highline Fifty Collection

Meeting Tables

Power & Connectivity

Drawers

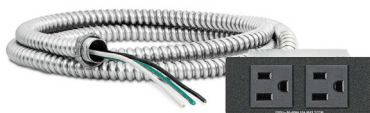
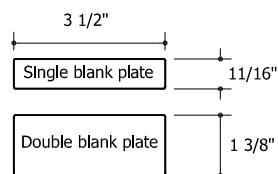


Large Drawer

- 6 1/2" deep x 12 3/4" wide flat storage with 2 1/2" interior height
- 3/8" gap above drawer for cord exit.
- Concealed routed finger pull under front
- Used at table ends
- Used along the length of 60" / 72" deep tables
- Interior drawer finish: Black powder coat metallic (MC12)
- Drawer front matches lower layer finish
- Provided with 1 AC power module - specify hardwired (HW) or plug in (PI), and 2 single space blank plates

Small Drawer

- 1 7/8" deep x 12 3/4" wide flat storage with 2 1/2" interior height
- 3/8" gap above drawer for cord exit
- Concealed routed finger pull under front
- Used along the length of 48" / 54" deep tables
- Interior drawer finish: Black powder coat metallic (MC12)
- Drawer front matches lower layer finish
- Provided with 1 AC power module - specify hardwired (HW) or plug in (PI), and 2 single space blank plates



AC Module Hardwired (HW)

- 3/8" diameter x 6' long metal clad cable with 6" pigtail
- Additional knockouts for series wiring
- 12A max per module



AC Module Plug In (PI)

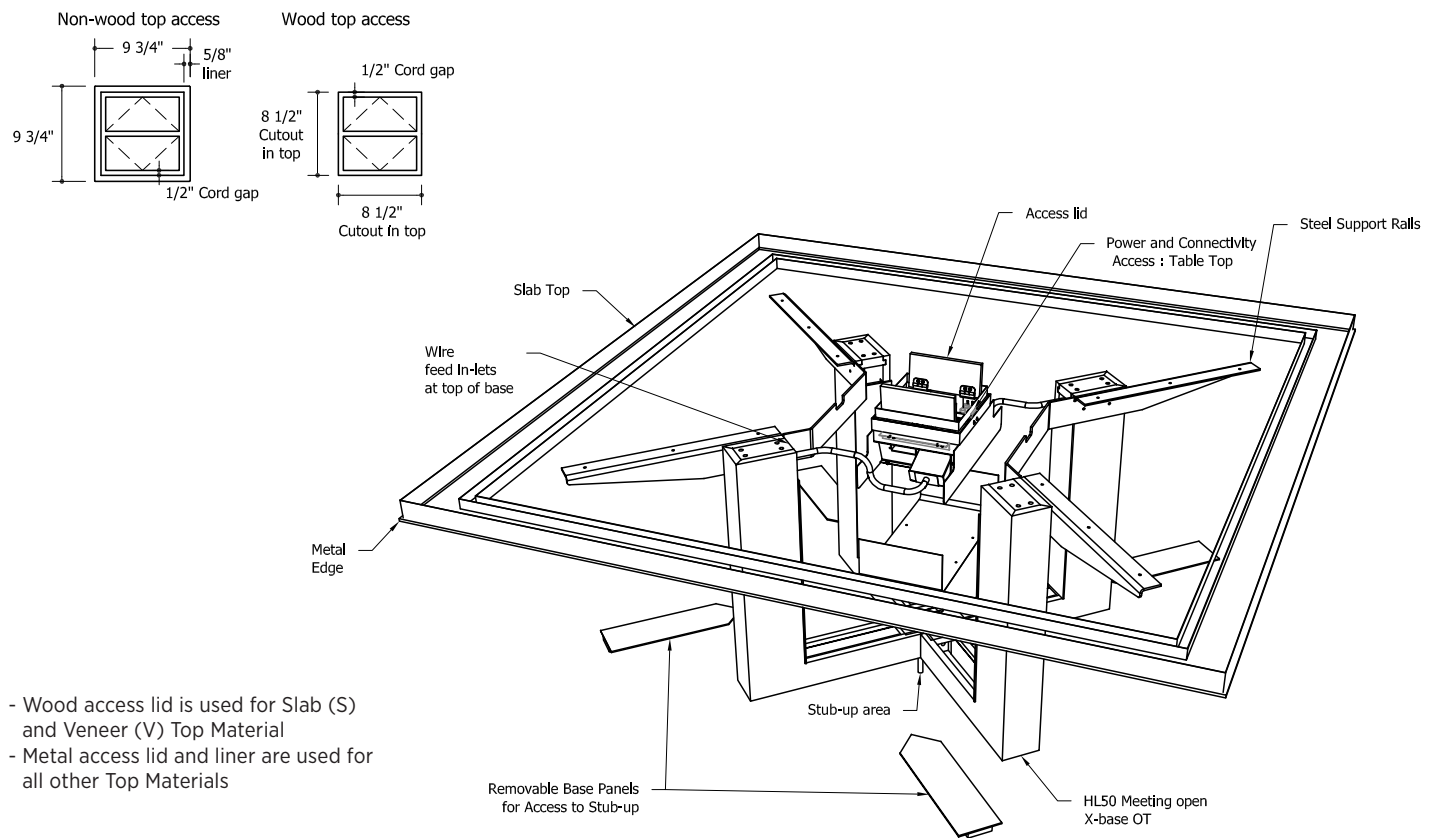
- 7.5' detachable soft cord
- 6A max per module

Highline Fifty Collection

Meeting Tables

Power & Connectivity

Table Top



Meeting Table Top Access (shown populated)

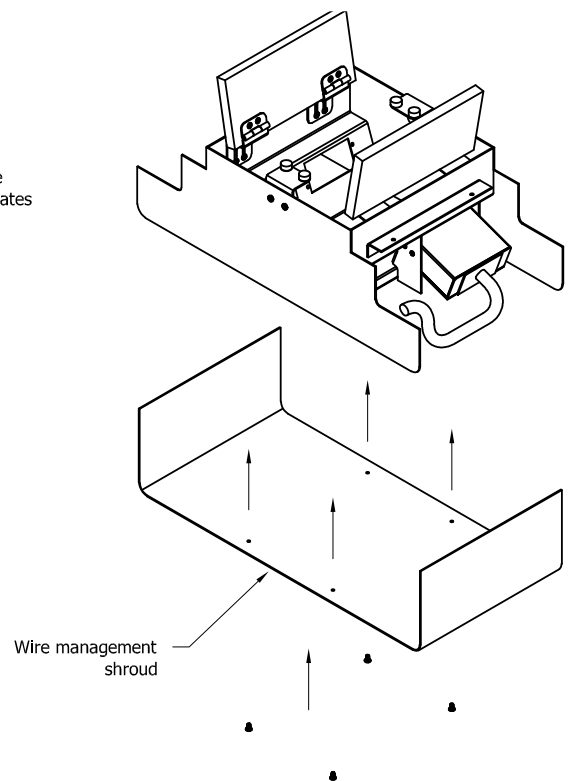
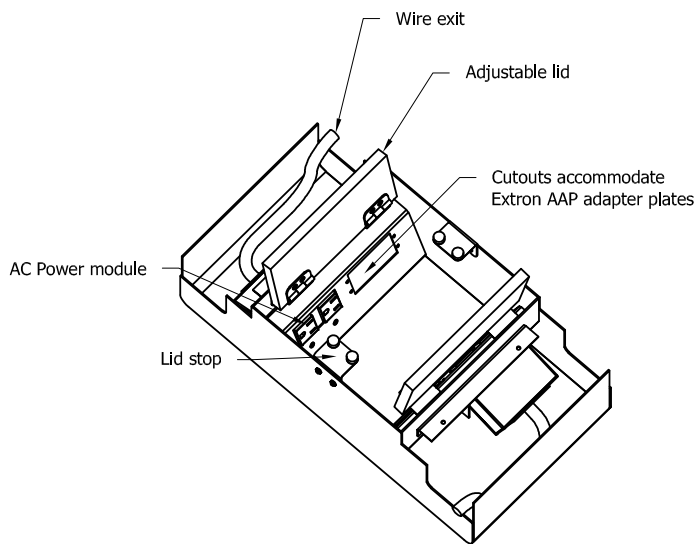
- Provided with 2 AC power modules - specify hardwired (HW) or plug in (PI), 1 double and 2 single space blank plates
- For additional connectivity replace blank plates with Extron single or double space AAP plates as desired. For more information see extron.com

Highline Fifty Collection

Meeting Tables

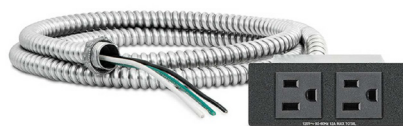
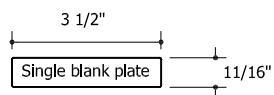
Power & Connectivity

Table Top



Meeting Table Top access

- Provided with 2 AC power modules-specify hardwired (HW) or plug in (PI), 1 double and 2 single space blank plates
- For additional connectivity replace blank plates with Extron single or double space AAP plates as desired. For more information see extron.com



- AC Module Hardwired (HW)
- 3/8" diameter x 6' long metal clad cable with 6" pigtail
 - Additional knockouts for series wiring
 - 12A max per module



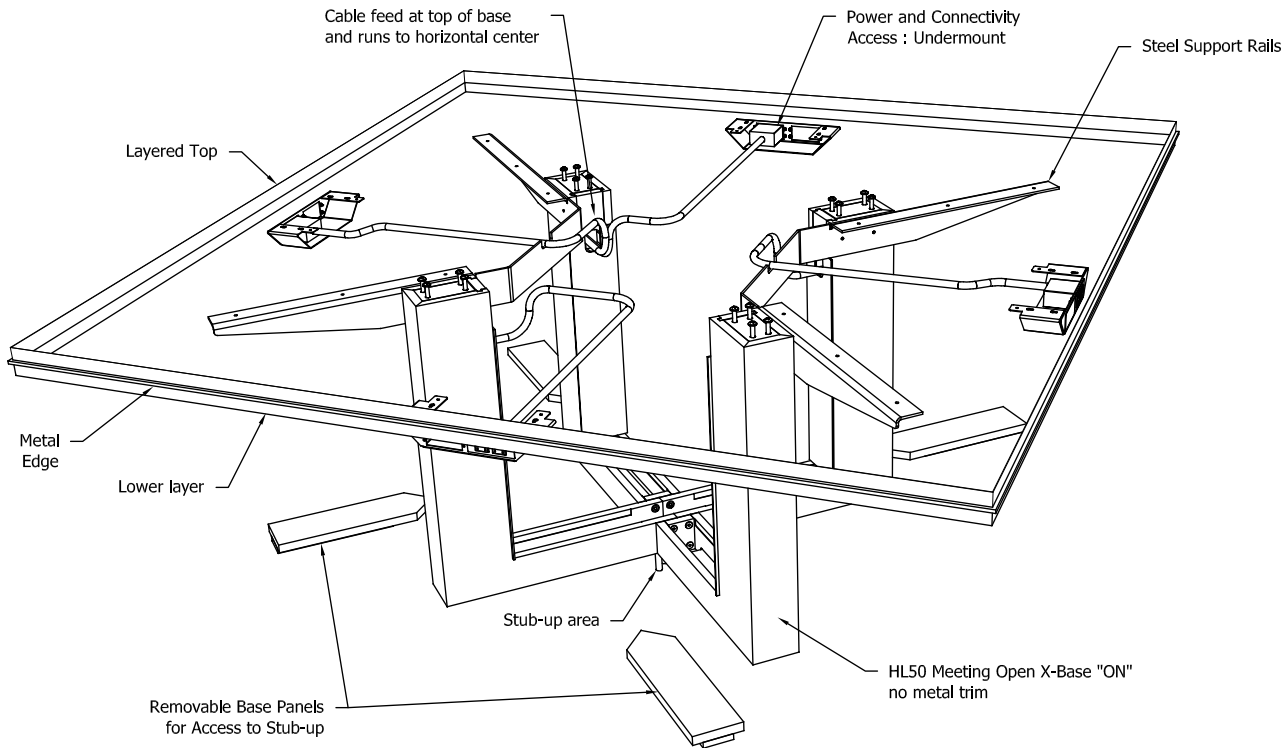
- AC Module Plug In (PI)
- 7.5' detachable soft cord
 - 6A max per module

Highline Fifty Collection

Meeting Tables

Power & Connectivity

Undermount



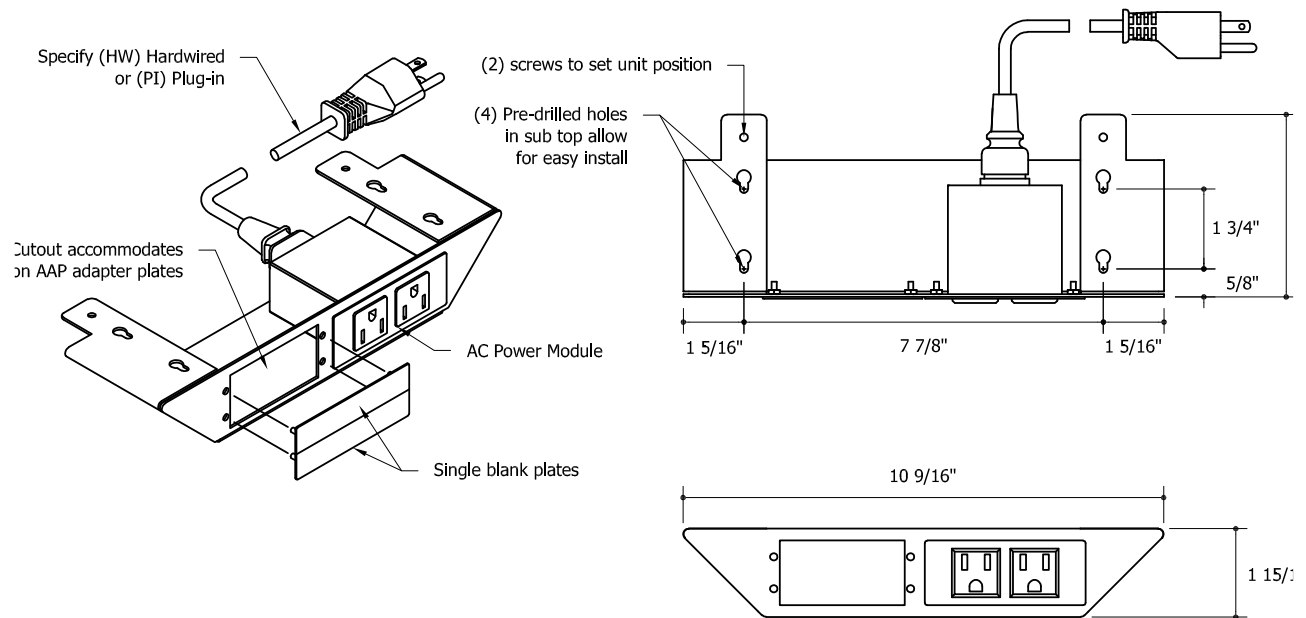
- Undermount access (shown populated)
- Black powder coat metallic finish (MC12)
 - Provided with 1 AC power module - specify hardwired (HW) or plug in (PI), and 2 single space blank plates
 - For additional connectivity replace blank plates with Extron single or double space AAP plates as desired. For more information see extron.com

Highline Fifty Collection

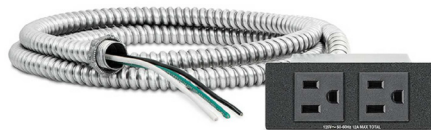
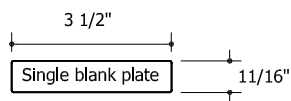
Meeting Tables

Power & Connectivity

Undermount



- Black powder coat metallic finish (MC12)
- Provided with 1 AC power module - specify hardwired (HW) or plug in (PI), and 2 single space blank plates
- For additional connectivity replace blank plates with Extron single or double space AAP plates as desired. For more information see extron.com



- AC Module Hardwired (HW)
- 3/8" diameter x 6' long metal clad cable with 6" pigtail
 - Additional knockouts for series wiring
 - 12A max per module

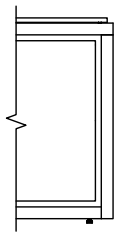


- AC Module Plug In (PI)
- 7.5' detachable soft cord
 - 6A max per module

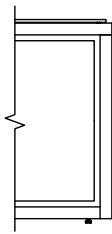
Highline Fifty Collection

Credenzas

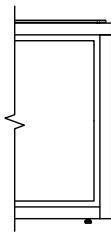
Elevations and Optional Tops



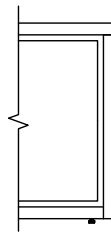
Optional Top
3/4" Caesarstone



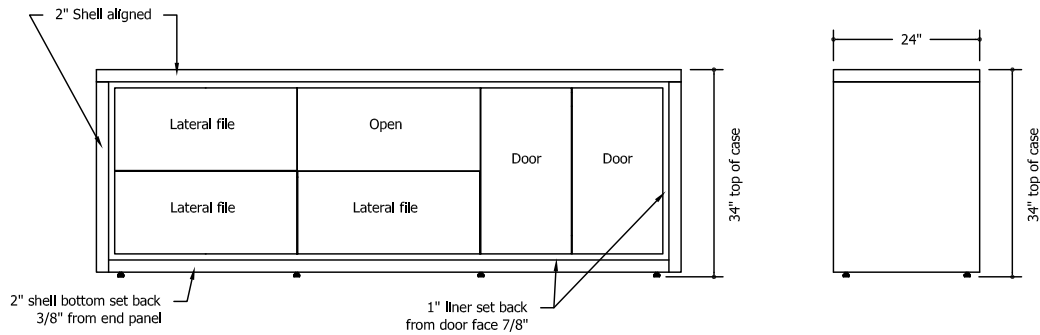
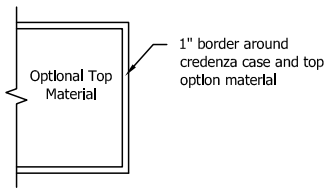
Optional Top
1/2" Corian



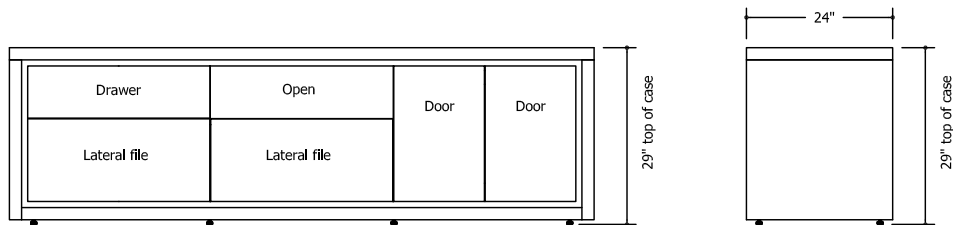
Optional Top
3/8" Glass



Optional Top
None



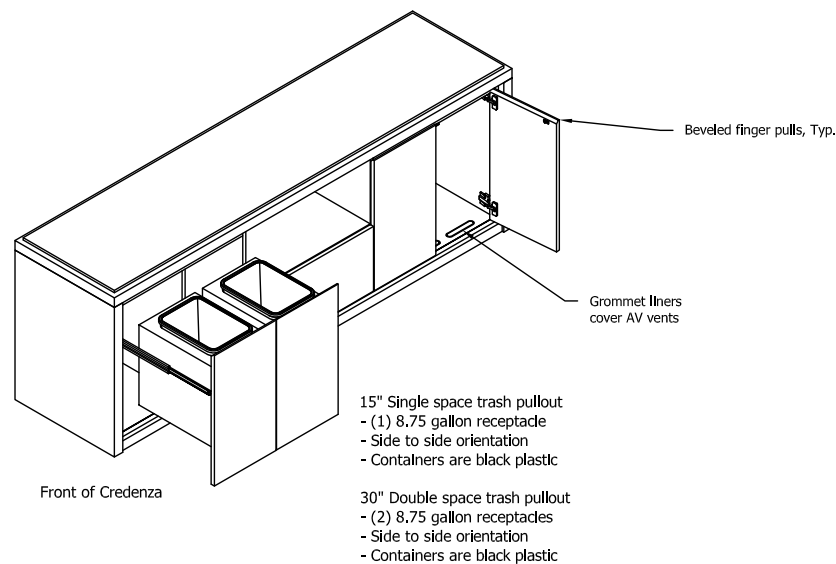
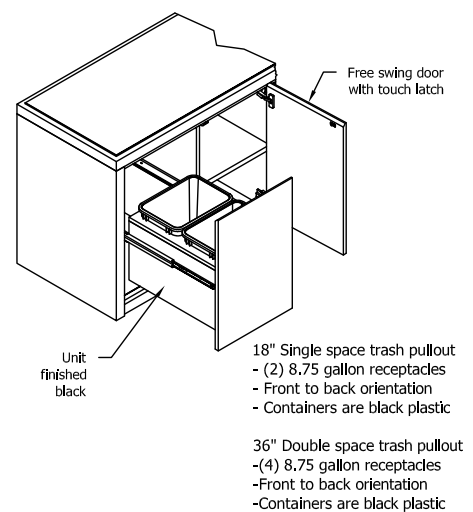
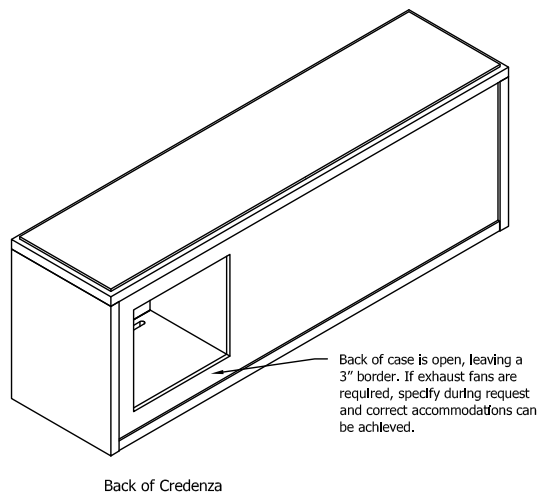
Buffet Height Credenza



Conference Height Credenza

Highline Fifty Collection

Credenzas Case Details



Credenza Notes

- Pulls are 45 degrees inside bevel
- All drawers have a beveled pull on back edge of each front
- Top drawer has bevel on top edge, bottom drawer has bevel at bottom edge
- All drawers are equipped with full extension slides
- All doors are equipped with self-closing hinges
- All credenza top material options are secured to the case with silicone except full clear glass (FG GC00)
- Full clear glass (FG GC00) sets on top of 1/16" bumpers located on top of case
- Trash option is pull-out only

Audio Visual Requirements:

- Coordinate AV requirements with the interior clearance dimensions provided below to ensure fit. All AV cases have air vent grommet at the bottom front and an open back w/3" border. Consult with your AV contractor for specific component requirements. Custom solutions are available on request

- Conference height 30" Bay:
25.75" width x 19" depth x 21.5" height
- Buffet height 30" Bay:
25.75" width x 19" depth x 26.5" height

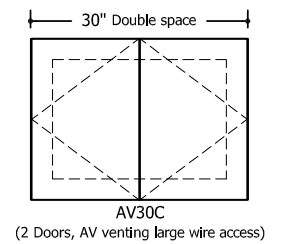
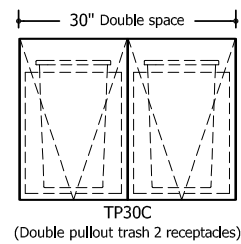
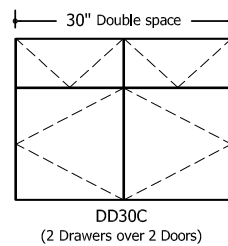
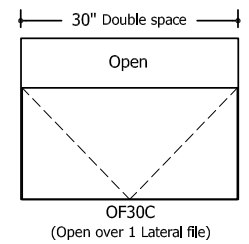
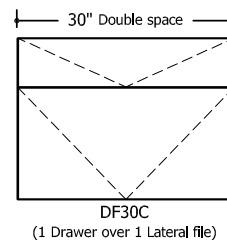
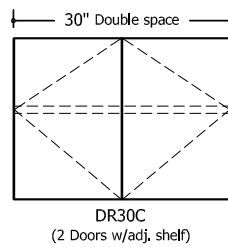
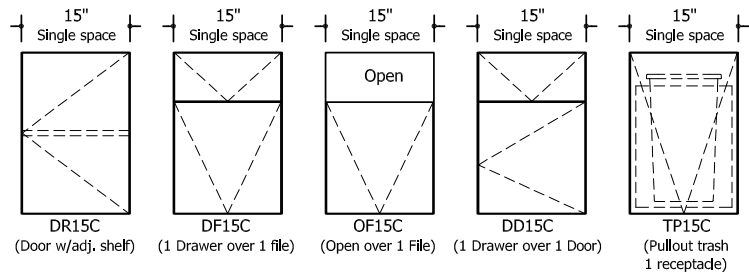
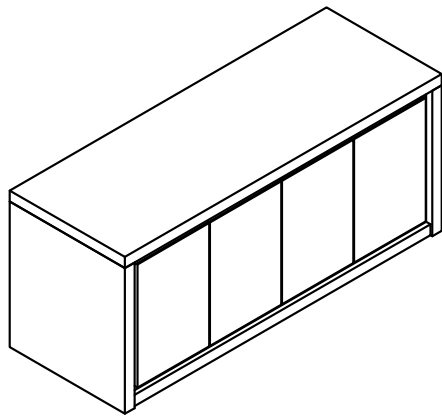
- Conference height 36" Bay:
31.75" width x 19" depth x 21.5" height
- Buffet height 36" bay:
31.75" width x 19" depth x 26.5" height

Highline Fifty Collection

Credenzas

Conference Height: 29"

Configurations: 15" and 30" modules

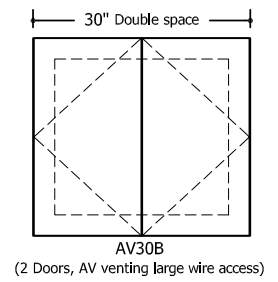
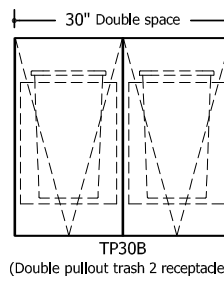
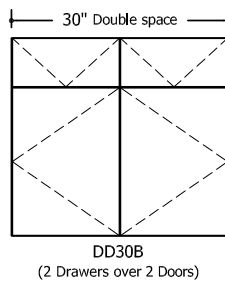
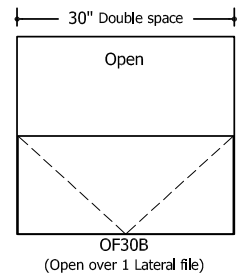
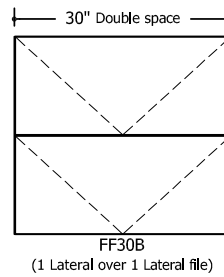
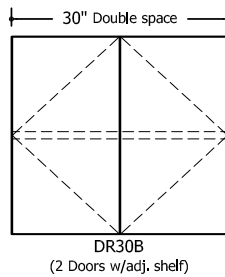
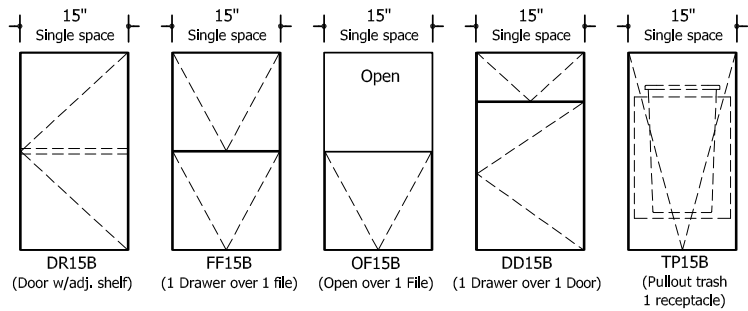
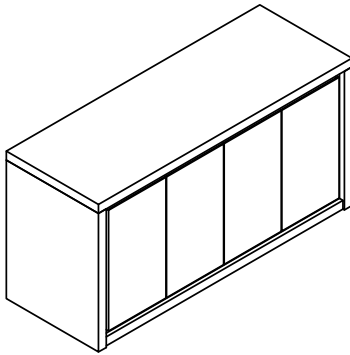


Highline Fifty Collection

Credenzas

Buffet Height: 34"

Configurations: 15" and 30" modules

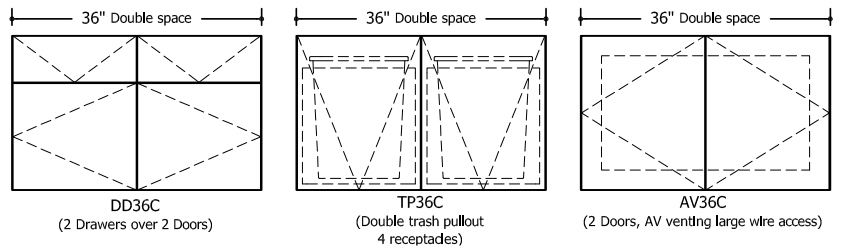
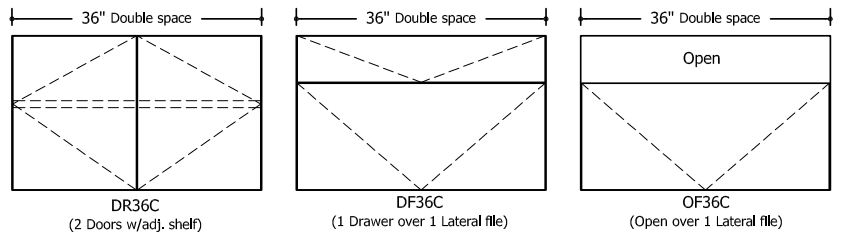
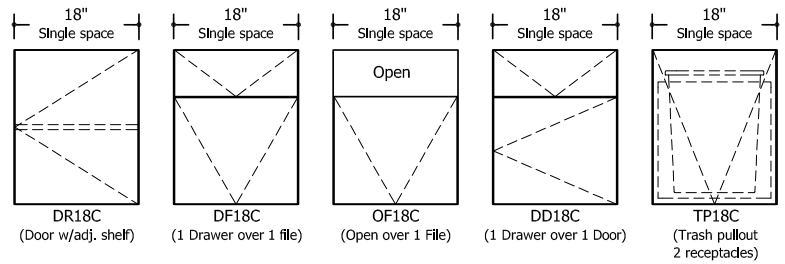
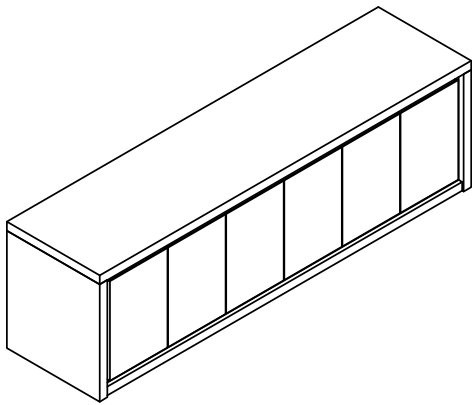


Highline Fifty Collection

Credenzas

Conference Height: 29"

Configurations: 18" and 36" modules

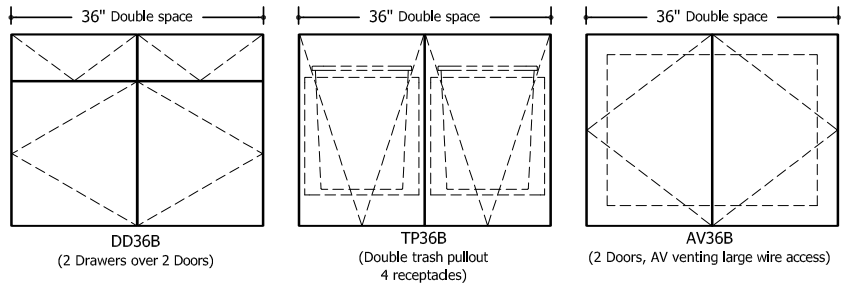
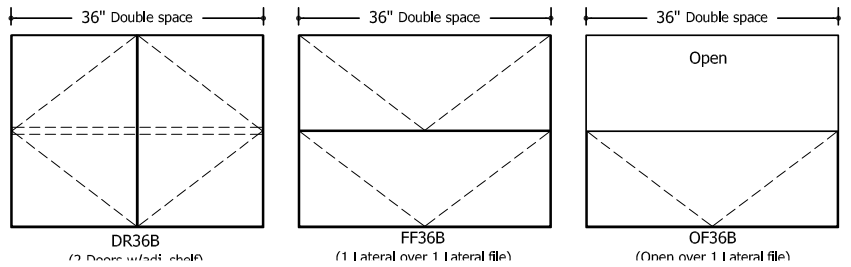
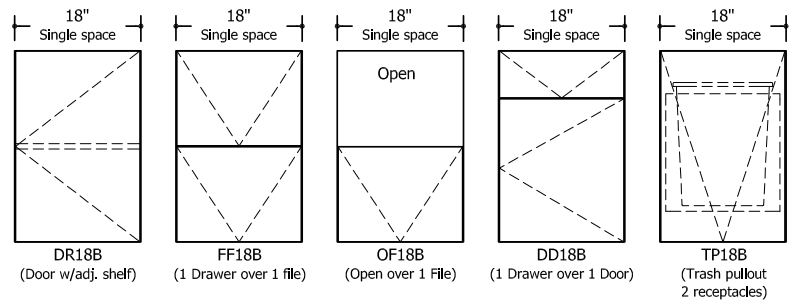
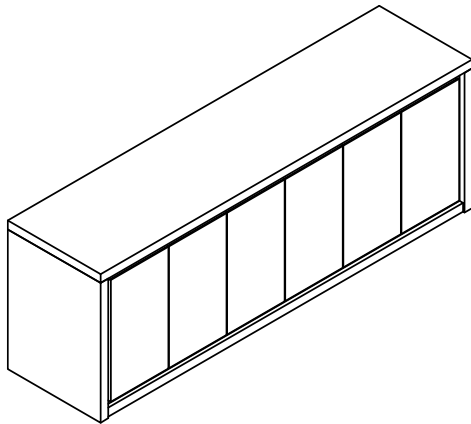


Highline Fifty Collection

Credenzas

Buffet Height: 34"

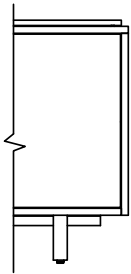
Configurations: 18" and 36" modules



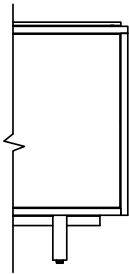
Highline Twenty-Five Collection

Credenzas

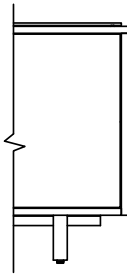
Elevations and Optional Tops



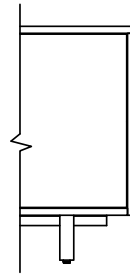
Optional Top
3/4" Caesarstone



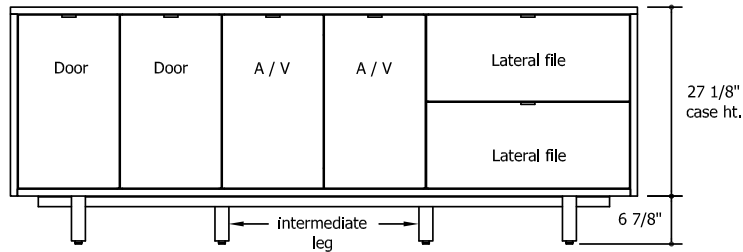
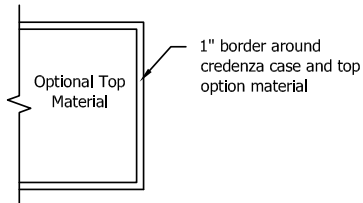
Optional Top
1/2" Corian



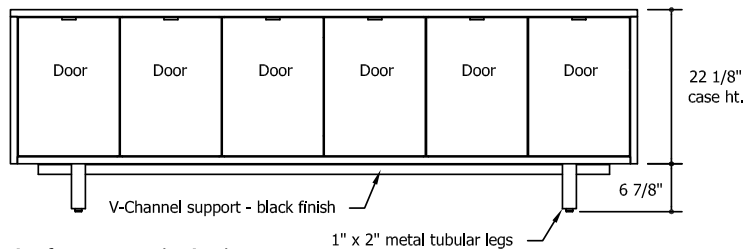
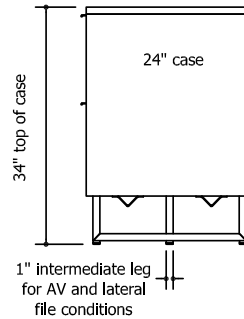
Optional Top
3/8" Glass



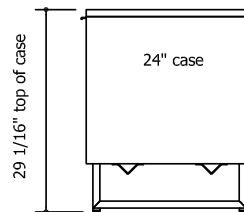
Optional Top
None



Buffet Height Credenza

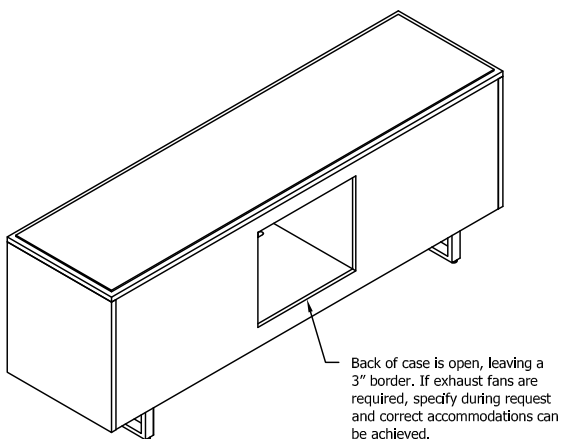


Conference Height Credenza

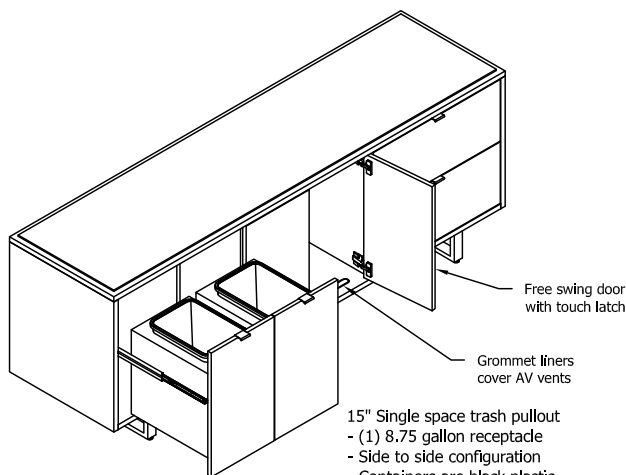


Highline Twenty-Five Collection

Credenza Case Details

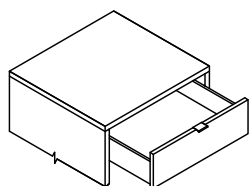


Back of Credenza



Front of Credenza

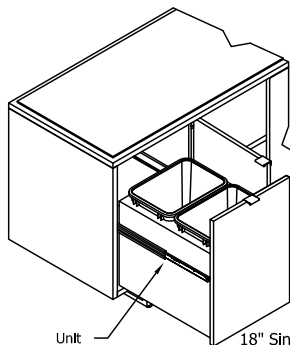
- 30" Double space trash pullout
- (2) 8.75 gallon receptacles
- Side to side configuration
- Containers are black plastic



Drawer with 2" tab pull



2" tab pull



- 18" Single space trash pullout
- (2) 8.75 gallon receptacles
- Front to back orientation
- Containers are black plastic

- 36" Double space trash pullout
- (4) 8.75 gallon receptacles
- Front to back orientation
- Containers are black plastic

Credenza Notes:

- 2" metal pulls to compliment metal legs
- All drawers have a 2" tab pull that is located in the center of the top edge of each front
- All drawers use full extension slides
- All doors use free swing hinges and touch latches.
- All credenza top material options are secured to the case with silicone except full clear glass (FG GC00)
- Full clear glass (FG CG00) sets on top of 1/16" bumpers located on top of case
- Trash option is pull-out only

Audio Visual Requirements:

- Coordinate AV requirements with the interior clearance dimensions provided below to ensure fit. All AV cases have air vent grommet at the bottom front and an open back width 3" border. Consult with your AV contractor for specific component requirements. Custom solutions are available on request

- Conference height 30" Bay:
25.15" width x 21.25" depth x 19.18" height

- Buffet height 30" Bay:
25.15" width x 21.25" depth x 24.18" height

- Conference height 36" Bay:
31.13" width x 21.25" depth x 19.18" height

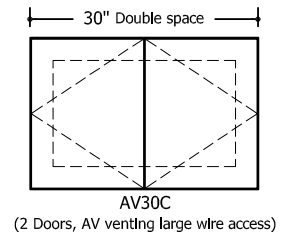
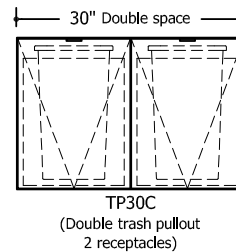
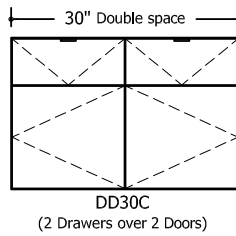
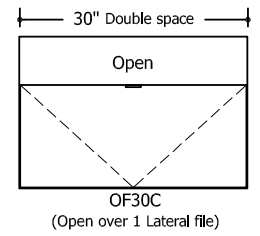
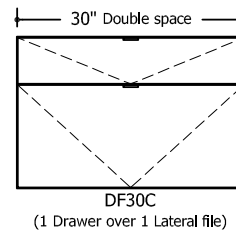
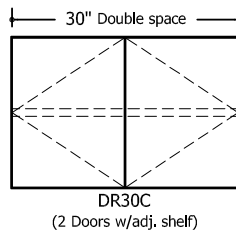
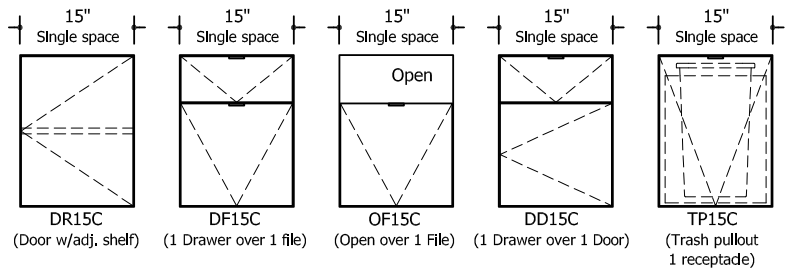
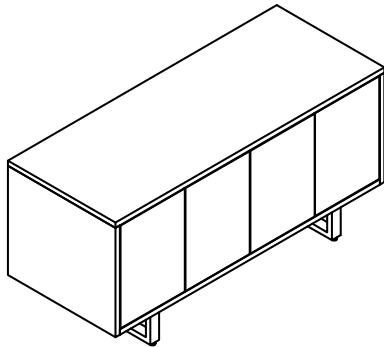
- Buffet height 36" Bay:
31.13" width x 21.25" depth x 24.18" height

Highline Twenty-Five Collection

Credenzas

Conference Height: 29"

Configurations: 15" and 30" modules

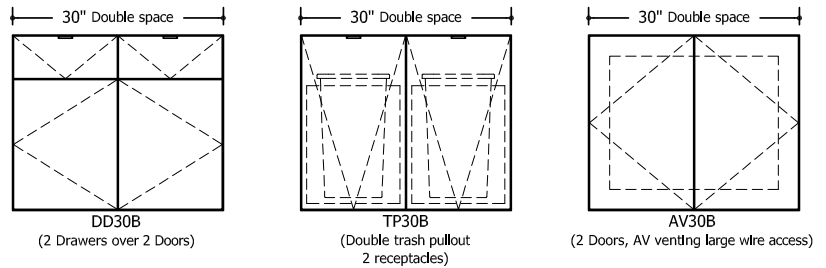
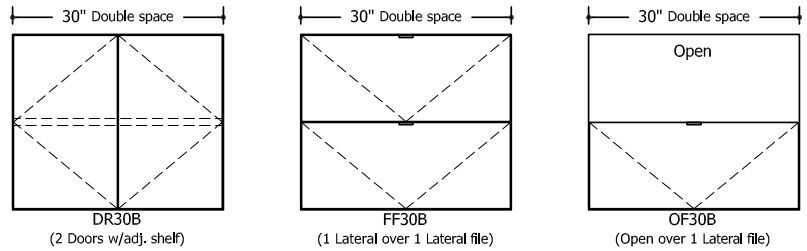
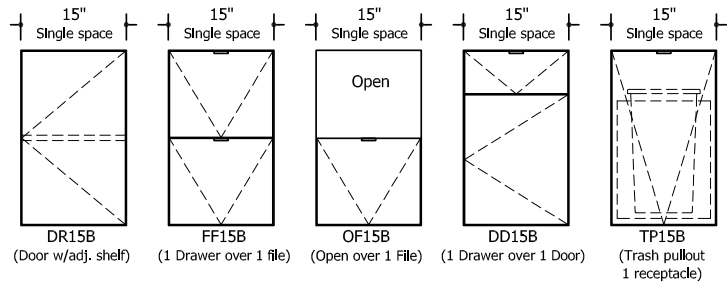
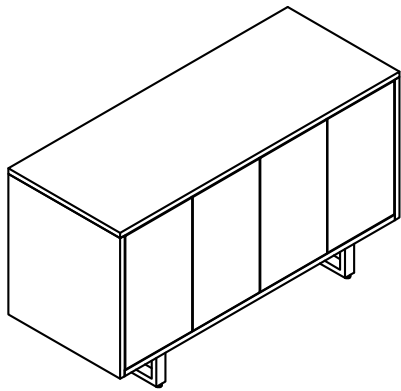


Highline Twenty-Five Collection

Credenzas

Buffet Height: 15"

Configurations: 15" + 30" models

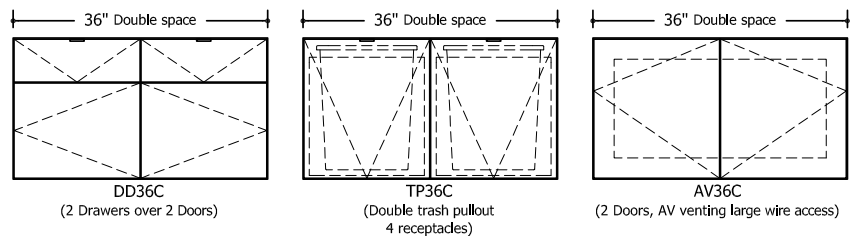
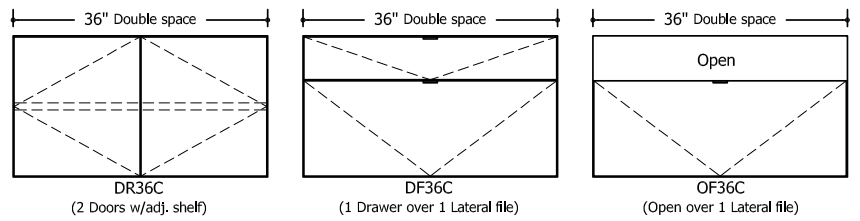
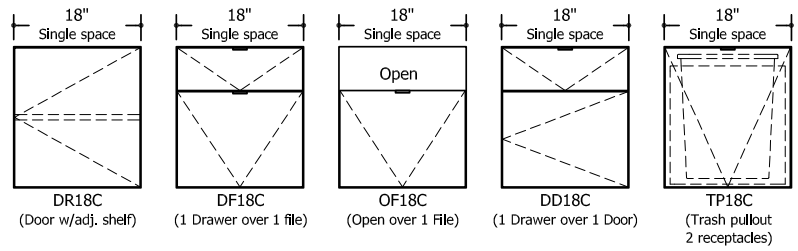
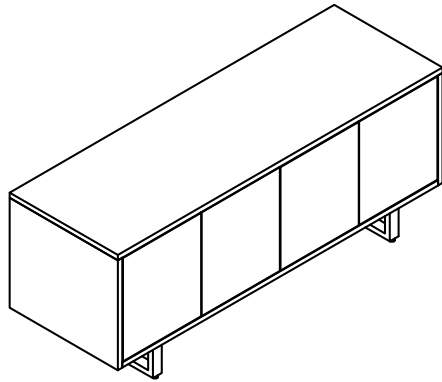


Highline Twenty-Five Collection

Credenzas

Conference Height: 29"

Configurations: 18" and 36" modules



Highline Twenty-Five Collection

Credenzas

Buffet Height: 34"

Configurations: 18" and 36" modules

