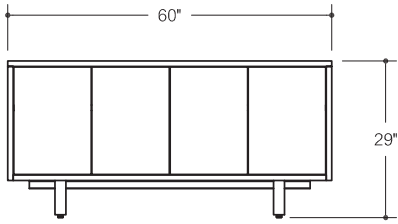
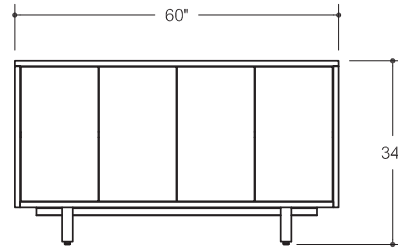


Highline Twenty-Five Credenzas Index

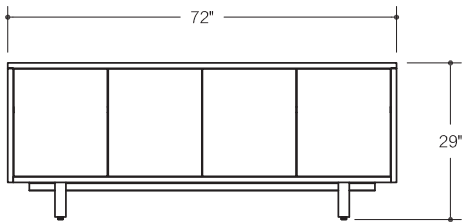
60"-108" width



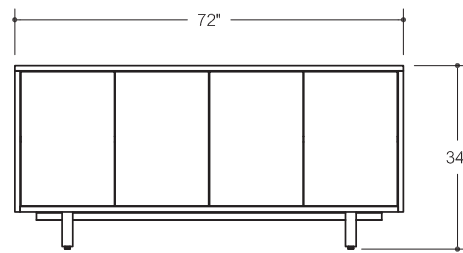
04C60C



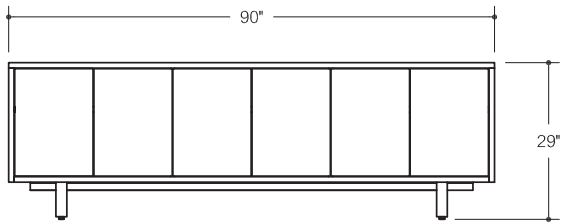
04C60B



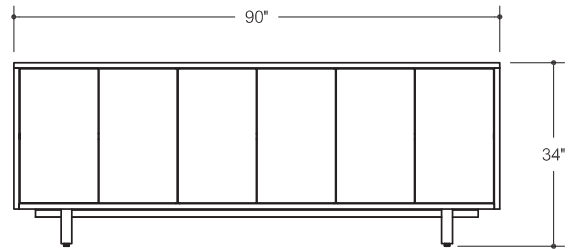
04C72C



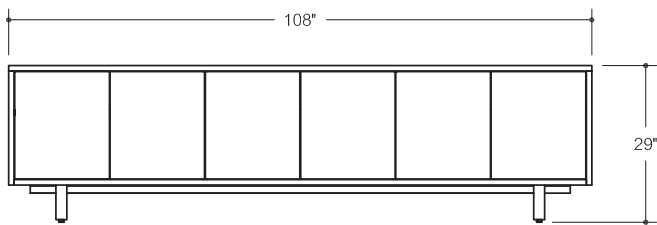
04C72B



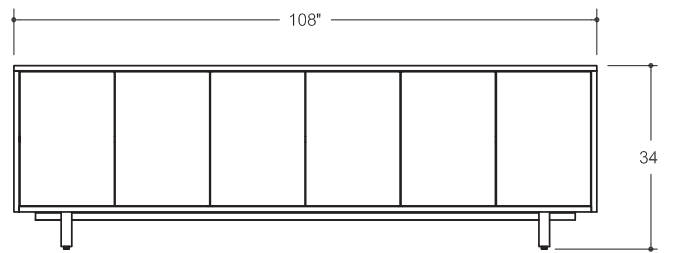
04C90C



04C90B



04C108C

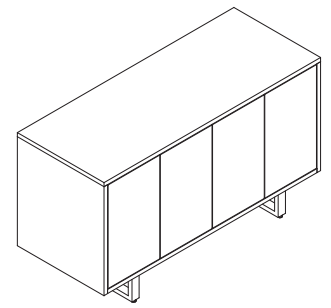


04C108B

Highline Twenty-Five Credenza

60" Long, 34" Buffet Height

04C60B



Starting Price: **\$8,200**

60" credenza, 34" high, no top, all doors, satin lacquer case and doors, powder coat legs

Pattern Number: 04C60B

Step 1. Top

| | |
|-----------|----------|
| NT | No top |
| FT | Full Top |

Step 2. Top Finish (not applicable in 'no top' configuration)

| | | |
|-------------|---|--------|
| GC00 | Clear Glass | +1,922 |
| GC01 | Clear Glass, back painted, white | +2,018 |
| GC__ | Clear Glass, back painted, color | +2,242 |
| GE01 | Etched matte Glass, back painted, white | +2,172 |
| GE__ | Etched matte Glass, back painted, color | +2,413 |
| CS01 | Corian Glacier White | +2,520 |
| QS__ | Caesarstone | +3,528 |

Step 3. Case Finish

| | | |
|-------------|----------------------|--------|
| SL__ | Satin Lacquer | +0 |
| T1 | Veneer Tier 1 | +1,723 |
| T2 | Veneer Tier 2 | +3,724 |
| T3 | Veneer Tier 3 | +7,463 |
| HG__ | High Gloss Polyester | +8,218 |

Step 4. Leg Finish

| | | |
|-------------|-------------------|------|
| MC__ | Powder Coat | +0 |
| PM01 | Polished Chrome | +214 |
| PM02 | Satin Nickel | +214 |
| PM03 | Oil Rubbed Bronze | +214 |

Step 5. Door/Drawer Face Finish

| | | |
|-------------|----------------------|--------|
| SL__ | Satin Lacquer | +0 |
| T1__ | Veneer Tier 1 | +428 |
| T2__ | Veneer Tier 2 | +931 |
| T3__ | Veneer Tier 3 | +1,862 |
| HG__ | High Gloss Polyester | +2054 |

Step 6. Configuration

Specify Left to Right: Select single or double space components for 4 available positions.

When any double space component is selected, insert code in desired starting position and XXXX in subsequent position.

| | |
|---------------------|------------|
| 04__ _ _ _ B | Position 1 |
| 04__ _ _ _ B | Position 2 |
| 04__ _ _ _ B | Position 3 |
| 04__ _ _ _ B | Position 4 |

DOUBLE SPACE COMPONENTS

| | | |
|----------------|--------------------------------|--------|
| 04DR30B | Doors w/adjustable shelf | 0 |
| 04FF30B | Lateral File over Lateral File | +380 |
| 04OF30B | Open over Lateral File | +321 |
| 04DD30B | Drawer over Doors | +631 |
| 04TP30B | Trash Pullout | +1,107 |
| 04AV30B | 2 Door AV | +375 |

SINGLE SPACE COMPONENTS

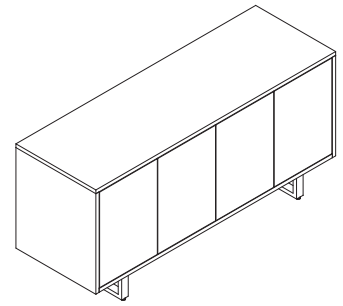
| | | |
|----------------|-------------------------|------|
| 04DR15B | Door w/adjustable shelf | 0 |
| 04FF15B | File over File | +190 |
| 04OF15B | Open over File | +161 |
| 04DD15B | Drawer over Door | +316 |
| 04TP15B | Trash Pullout | +554 |

Please consult [page 7](#) for the palette of DatesWeiser finishes. Natural stone, non-standard glass and veneer, and other technology options are available. Please email customerservice@datesweiser.com for a custom quote. Consult technical information on [page 325](#) for construction and technical details.

Highline Twenty-Five Credenza

72" Long, 34" Buffet Height

04C72B



Starting Price: **\$8,639**

72" credenza, 34" high, no top, all doors, satin lacquer case and doors, powder coat legs

Pattern Number: 04C72B

Step 1. Top

| | |
|-----------|----------|
| NT | No top |
| FT | Full Top |

Step 2. Top Finish (not applicable in 'no top' configuration)

| | | |
|-------------|---|--------|
| GC00 | Clear Glass | +2,018 |
| GC01 | Clear Glass, back painted, white | +2,211 |
| GC__ | Clear Glass, back painted, color | +2,456 |
| GE01 | Etched matte Glass, back painted, white | +2,394 |
| GE__ | Etched matte Glass, back painted, color | +2,659 |
| CS01 | Corian Glacier White | +2,793 |
| QS__ | Caesarstone | +3,910 |

Step 3. Case Finish

| | | |
|-------------|----------------------|--------|
| SL__ | Satin Lacquer | +0 |
| T1 | Veneer Tier 1 | +1,889 |
| T2 | Veneer Tier 2 | +4,077 |
| T3 | Veneer Tier 3 | +8,496 |
| HG__ | High Gloss Polyester | +9,432 |

Step 4. Leg Finish

| | | |
|-------------|-------------------|------|
| MC__ | Powder Coat | +0 |
| PM01 | Polished Chrome | +214 |
| PM02 | Satin Nickel | +214 |
| PM03 | Oil Rubbed Bronze | +214 |

Step 5. Door/Drawer Face Finish

| | | |
|-------------|----------------------|--------|
| SL__ | Satin Lacquer | +0 |
| T1__ | Veneer Tier 1 | +471 |
| T2__ | Veneer Tier 2 | +1,022 |
| T3__ | Veneer Tier 3 | +2,124 |
| HG__ | High Gloss Polyester | +2,359 |

Step 6. Configuration

Specify Left to Right: Select single or double space components for 4 available positions. When any double space component is selected, insert code in desired starting position and XXXX in subsequent position.

| | |
|------------------|------------|
| 04__ __ B | Position 1 |
| 04__ __ B | Position 2 |
| 04__ __ B | Position 3 |
| 04__ __ B | Position 4 |

DOUBLE SPACE COMPONENTS

| | | |
|----------------|--------------------------------|--------|
| 04DR36B | Doors w/adjustable shelf | 0 |
| 04FF36B | Lateral File over Lateral File | +423 |
| 04OF36B | Open over Lateral File | +375 |
| 04DD36B | Drawer over Doors | +679 |
| 04TP36B | Trash Pullout | +1,172 |
| 04AV36B | 2 Door AV | +449 |

SINGLE SPACE COMPONENTS

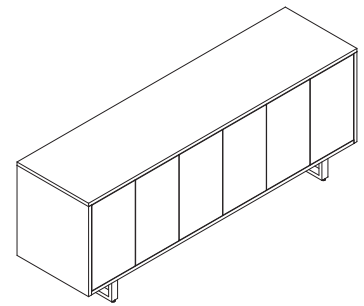
| | | |
|----------------|-------------------------|------|
| 04DR18B | Door w/adjustable shelf | 0 |
| 04FF18B | File over File | +212 |
| 04OF85B | Open over File | +187 |
| 04DD18B | Drawer over Door | +340 |
| 04TP18B | Trash Pullout | +586 |

Please consult [page 7](#) for the palette of DatesWeiser finishes. Natural stone, non-standard glass and veneer, and other technology options are available. Please email customerservice@datesweiser.com for a custom quote. Consult technical information on [page 325](#) for construction and technical details.

Highline Twenty-Five Credenza

90" Long, 34" Buffet Height

04C90B



Starting Price: **\$10,522**

90" credenza, 34" high, no top, all doors, satin lacquer case and doors, powder coat legs

Pattern Number: 04C90B

Step 1. Top

| | |
|-----------|----------|
| NT | No top |
| FT | Full Top |

Step 2. Top Finish (not applicable in 'no top' configuration)

| | | |
|-------------|---|--------|
| GC00 | Clear Glass | +2,211 |
| GC01 | Clear Glass, back painted, white | +2,509 |
| GC__ | Clear Glass, back painted, color | +2,787 |
| GE01 | Etched matte Glass, back painted, white | +2,731 |
| GE__ | Etched matte Glass, back painted, color | +3,033 |
| CS01 | Corian Glacier White | +3,199 |
| QS__ | Caesarstone | +4,479 |

Step 3. Case Finish

| | | |
|-------------|----------------------|---------|
| SL__ | Satin Lacquer | +0 |
| T1 | Veneer Tier 1 | +2,370 |
| T2 | Veneer Tier 2 | +5,168 |
| T3 | Veneer Tier 3 | +9,892 |
| HG__ | High Gloss Polyester | +11,133 |

Step 4. Leg Finish

| | | |
|-------------|-------------------|------|
| MC__ | Powder Coat | +0 |
| PM01 | Polished Chrome | +214 |
| PM02 | Satin Nickel | +214 |
| PM03 | Oil Rubbed Bronze | +214 |

Step 5. Door/Drawer Face Finish

| | | |
|-------------|----------------------|--------|
| SL__ | Satin Lacquer | +0 |
| T1__ | Veneer Tier 1 | +594 |
| T2__ | Veneer Tier 2 | +1,295 |
| T3__ | Veneer Tier 3 | +2,477 |
| HG__ | High Gloss Polyester | +2,782 |

Step 6. Configuration

Specify Left to Right: Select single or double space components for 6 available positions. When any double space component is selected, insert code in desired starting position and XXXX in subsequent position.

| | |
|------------------|------------|
| 04__ __ B | Position 1 |
| 04__ __ B | Position 2 |
| 04__ __ B | Position 3 |
| 04__ __ B | Position 4 |
| 04__ __ B | Position 5 |
| 04__ __ B | Position 6 |

DOUBLE SPACE COMPONENTS

| | | |
|----------------|--------------------------------|--------|
| 04DR30B | Doors w/adjustable shelf | 0 |
| 04FF30B | Lateral File over Lateral File | +380 |
| 04OF30B | Open over Lateral File | +321 |
| 04DD30B | Drawer over Doors | +631 |
| 04TP30B | Trash Pullout | +1,107 |
| 04AV30B | 2 Door AV | +375 |

SINGLE SPACE COMPONENTS

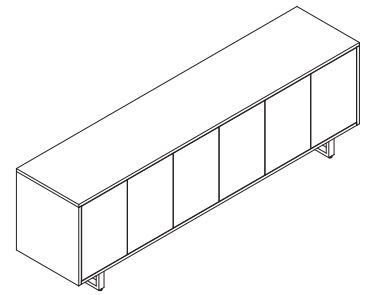
| | | |
|----------------|-------------------------|------|
| 04DR15B | Door w/adjustable shelf | 0 |
| 04FF15B | File over File | +190 |
| 04OF15B | Open over File | +161 |
| 04DD15B | Drawer over Door | +316 |
| 04TP15B | Trash Pullout | +554 |

Please consult [page 7](#) for the palette of DatesWeiser finishes. Natural stone, non-standard glass and veneer, and other technology options are available. Please email customerservice@datesweiser.com for a custom quote. Consult technical information on [page 325](#) for construction and technical details.

Highline Twenty-Five Credenza

108" Long, 34" Buffet Height

04C108B



Starting Price: **\$11,201**

108" credenza, 34" high, no top, all doors, satin lacquer case and doors, powder coat legs

Pattern Number: 04C108B

Step 1. Top

| | |
|-----------|----------|
| NT | No top |
| FT | Full Top |

Step 2. Top Finish (not applicable in 'no top' configuration)

| | | |
|-------------|---|--------|
| GC00 | Clear Glass | +2,788 |
| GC01 | Clear Glass, back painted, white | +3,592 |
| GC__ | Clear Glass, back painted, color | +3,991 |
| GE01 | Etched matte Glass, back painted, white | +3,857 |
| GE__ | Etched matte Glass, back painted, color | +4,285 |
| CS01 | Corian Glacier White | +4,494 |
| QS__ | Caesarstone | +6,292 |

Step 3. Case Finish

| | | |
|-------------|----------------------|---------|
| SL__ | Satin Lacquer | +0 |
| T1 | Veneer Tier 1 | +2,605 |
| T2 | Veneer Tier 2 | +5,832 |
| T3 | Veneer Tier 3 | +11,412 |
| HG__ | High Gloss Polyester | +12,952 |

Step 4. Leg Finish

| | | |
|-------------|-------------------|------|
| MC__ | Powder Coat | +0 |
| PM01 | Polished Chrome | +214 |
| PM02 | Satin Nickel | +214 |
| PM03 | Oil Rubbed Bronze | +214 |

Step 5. Door/Drawer Face Finish

| | | |
|-------------|----------------------|--------|
| SL__ | Satin Lacquer | +0 |
| T1__ | Veneer Tier 1 | +653 |
| T2__ | Veneer Tier 2 | +1,461 |
| T3__ | Veneer Tier 3 | +2,857 |
| HG__ | High Gloss Polyester | +3,237 |

Step 6. Configuration

Specify Left to Right: Select single or double space components for 6 available positions. When any double space component is selected, insert code in desired starting position and XXXX in subsequent position.

| | |
|---------------------|------------|
| 04__ _ _ _ B | Position 1 |
| 04__ _ _ _ B | Position 2 |
| 04__ _ _ _ B | Position 3 |
| 04__ _ _ _ B | Position 4 |
| 04__ _ _ _ B | Position 5 |
| 04__ _ _ _ B | Position 6 |

DOUBLE SPACE COMPONENTS

| | | |
|----------------|--------------------------------|--------|
| 04DR36B | Doors w/adjustable shelf | 0 |
| 04FF36B | Lateral File over Lateral File | +423 |
| 04OF36B | Open over Lateral File | +375 |
| 04DD36B | Drawer over Doors | +679 |
| 04TP36B | Trash Pullout | +1,172 |
| 04AV36B | 2 Door AV | +449 |

SINGLE SPACE COMPONENTS

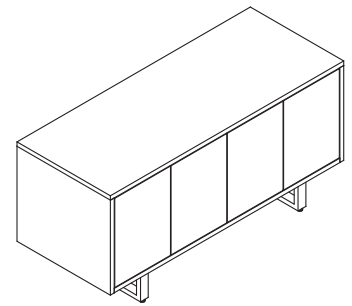
| | | |
|----------------|-------------------------|------|
| 04DR18B | Door w/adjustable shelf | 0 |
| 04FF18B | File over File | +212 |
| 04OF85B | Open over File | +187 |
| 04DD18B | Drawer over Door | +340 |
| 04TP18B | Trash Pullout | +586 |

Please consult [page 7](#) for the palette of DatesWeiser finishes. Natural stone, non-standard glass and veneer, and other technology options are available. Please email customerservice@datesweiser.com for a custom quote. Consult technical information on [page 325](#) for construction and technical details.

Highline Twenty-Five Credenza

60" Long, 29" Conference Height

04C60C



Starting Price: **\$8,200**

60" credenza, 29" high, no top, all doors, satin lacquer case and doors, powder coat legs

Pattern Number: 04C60C

Step 1. Top

| | |
|-----------|----------|
| NT | No top |
| FT | Full Top |

Step 2. Top Finish (not applicable in 'no top' configuration)

| | | |
|-------------|---|--------|
| GC00 | Clear Glass | +1,922 |
| GC01 | Clear Glass, back painted, white | +2,018 |
| GC__ | Clear Glass, back painted, color | +2,242 |
| GE01 | Etched matte Glass, back painted, white | +2,172 |
| GE__ | Etched matte Glass, back painted, color | +2,413 |
| CS01 | Corian Glacier White | +2,520 |
| QS__ | Caesarstone | +3,528 |

Step 3. Case Finish

| | | |
|-------------|----------------------|--------|
| SL__ | Satin Lacquer | +0 |
| T1 | Veneer Tier 1 | +1,723 |
| T2 | Veneer Tier 2 | +3,724 |
| T3 | Veneer Tier 3 | +7,463 |
| HG__ | High Gloss Polyester | +8,218 |

Step 4. Leg Finish

| | | |
|-------------|-------------------|------|
| MC__ | Powder Coat | +0 |
| PM01 | Polished Chrome | +214 |
| PM02 | Satin Nickel | +214 |
| PM03 | Oil Rubbed Bronze | +214 |

Step 5. Door/Drawer Face Finish

| | | |
|-------------|----------------------|--------|
| SL__ | Satin Lacquer | +0 |
| T1__ | Veneer Tier 1 | +428 |
| T2__ | Veneer Tier 2 | +931 |
| T3__ | Veneer Tier 3 | +1,862 |
| HG__ | High Gloss Polyester | +2,054 |

Step 6. Configuration

Specify Left to Right: Select single or double space components for 4 available positions. When any double space component is selected, insert code in desired starting position and XXXX in subsequent position.

| | |
|---------------------|------------|
| 04__ _ _ _ C | Position 1 |
| 04__ _ _ _ C | Position 2 |
| 04__ _ _ _ C | Position 3 |
| 04__ _ _ _ C | Position 4 |

DOUBLE SPACE COMPONENTS

| | | |
|----------------|--------------------------|--------|
| 04DR30C | Doors w/adjustable shelf | 0 |
| 04DF30C | Drawer over Lateral File | +380 |
| 04OF30C | Open over Lateral File | +321 |
| 04DD30C | Drawer over Doors | +631 |
| 04TP30C | Trash Pullout | +1,107 |
| 04AV30C | 2 Door AV | +375 |

SINGLE SPACE COMPONENTS

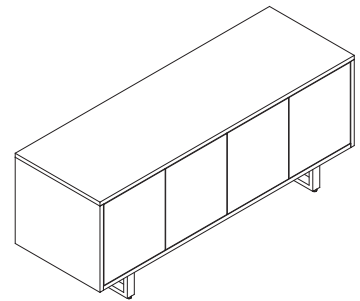
| | | |
|----------------|-------------------------|------|
| 04DR15C | Door w/adjustable shelf | 0 |
| 04DF15C | Drawer over File | +190 |
| 04OF15C | Open over File | +161 |
| 04DD15C | Drawer over Door | +316 |
| 04TP15C | Trash Pullout | +554 |

Please consult [page 7](#) for the palette of DatesWeiser finishes. Natural stone, non-standard glass and veneer, and other technology options are available. Please email customerservice@datesweiser.com for a custom quote. Consult technical information on [page 325](#) for construction and technical details.

Highline Twenty-Five Credenza

72" Long, 29" Conference Height

04C72C



Starting Price: **\$8,639**

72" credenza, 29" high, no top, all doors, satin lacquer case and doors, powder coat legs

Pattern Number: 04C72C

Step 1. Top

| | |
|-----------|----------|
| NT | No top |
| FT | Full Top |

Step 2. Top Finish (not applicable in 'no top' configuration)

| | | |
|--------------|---|--------|
| GC00 | Clear Glass | +2,018 |
| GC01 | Clear Glass, back painted, white | +2,211 |
| GC __ | Clear Glass, back painted, color | +2,456 |
| GE01 | Etched matte Glass, back painted, white | +2,394 |
| GE __ | Etched matte Glass, back painted, color | +2,659 |
| CS01 | Corian Glacier White | +2,793 |
| QS __ | Caesarstone | +3,910 |

Step 3. Case Finish

| | | |
|--------------|----------------------|--------|
| SL __ | Satin Lacquer | +0 |
| T1 | Veneer Tier 1 | +1,889 |
| T2 | Veneer Tier 2 | +4,077 |
| T3 | Veneer Tier 3 | +8,496 |
| HG __ | High Gloss Polyester | +9,432 |

Step 4. Leg Finish

| | | |
|--------------|-------------------|------|
| MC __ | Powder Coat | +0 |
| PM01 | Polished Chrome | +214 |
| PM02 | Satin Nickel | +214 |
| PM03 | Oil Rubbed Bronze | +214 |

Step 5. Door/Drawer Face Finish

| | | |
|--------------|----------------------|--------|
| SL __ | Satin Lacquer | +0 |
| T1 __ | Veneer Tier 1 | +471 |
| T2 __ | Veneer Tier 2 | +1,022 |
| T3 __ | Veneer Tier 3 | +2,124 |
| HG __ | High Gloss Polyester | +2,359 |

Step 6. Configuration

Specify Left to Right: Select single or double space components for 4 available positions. When any double space component is selected, insert code in desired starting position and XXXX in subsequent position.

| | |
|---------------------|------------|
| 04 _ _ _ _ C | Position 1 |
| 04 _ _ _ _ C | Position 2 |
| 04 _ _ _ _ C | Position 3 |
| 04 _ _ _ _ C | Position 4 |

DOUBLE SPACE COMPONENTS

| | | |
|----------------|--------------------------|--------|
| 04DR36C | Doors w/adjustable shelf | 0 |
| 04FF36C | Drawer over Lateral File | +423 |
| 04OF36C | Open over Lateral File | +375 |
| 04DD36C | Drawer over Doors | +679 |
| 04TP36C | Trash Pullout | +1,172 |
| 04AV36C | 2 Door AV | +449 |

SINGLE SPACE COMPONENTS

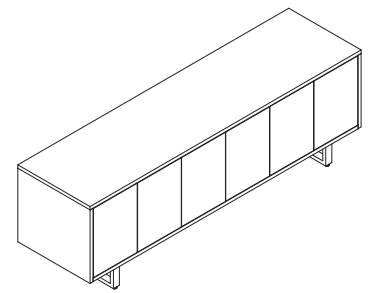
| | | |
|----------------|-------------------------|------|
| 04DR18C | Door w/adjustable shelf | 0 |
| 04FF18C | Drawer over File | +212 |
| 04OF85C | Open over File | +187 |
| 04DD18C | Drawer over Door | +340 |
| 04TP18C | Trash Pullout | +586 |

Please consult [page 7](#) for the palette of DatesWeiser finishes. Natural stone, non-standard glass and veneer, and other technology options are available. Please email customerservice@datesweiser.com for a custom quote. Consult technical information on [page 325](#) for construction and technical details.

Highline Twenty-Five Credenza

90" Long, 29" Conference Height

04C90C



Starting Price: **\$10,522**

90" credenza, 29" high, no top, all doors, satin lacquer case and doors, powder coat legs

Pattern Number: 04C90C

Step 1. Top

| | | |
|-----------|----------|--|
| NT | No top | |
| FT | Full Top | |

Step 2. Top Finish (not applicable in 'no top' configuration)

| | | |
|--------------|---|--------|
| GC00 | Clear Glass | +2,211 |
| GC01 | Clear Glass, back painted, white | +2,509 |
| GC __ | Clear Glass, back painted, color | +2,787 |
| GE01 | Etched matte Glass, back painted, white | +2,731 |
| GE __ | Etched matte Glass, back painted, color | +3,033 |
| CS01 | Corian Glacier White | +3,199 |
| QS __ | Caesarstone | +4,479 |

Step 3. Case Finish

| | | |
|--------------|----------------------|---------|
| SL __ | Satin Lacquer | +0 |
| T1 | Veneer Tier 1 | +2,370 |
| T2 | Veneer Tier 2 | +5,168 |
| T3 | Veneer Tier 3 | +9,892 |
| HG __ | High Gloss Polyester | +11,133 |

Step 4. Leg Finish

| | | |
|--------------|-------------------|------|
| MC __ | Powder Coat | +0 |
| PM01 | Polished Chrome | +214 |
| PM02 | Satin Nickel | +214 |
| PM03 | Oil Rubbed Bronze | +214 |

Step 5. Door/Drawer Face Finish

| | | |
|--------------|----------------------|--------|
| SL __ | Satin Lacquer | +0 |
| T1 __ | Veneer Tier 1 | +594 |
| T2 __ | Veneer Tier 2 | +1,295 |
| T3 __ | Veneer Tier 3 | +2,477 |
| HG __ | High Gloss Polyester | +2,782 |

Step 6. Configuration

Specify Left to Right: Select single or double space components for 6 available positions. When any double space component is selected, insert code in desired starting position and XXXX in subsequent position.

| | | |
|-------------------|------------|-----------|
| 04 _ _ _ C | Position 1 | + _ _ _ _ |
| 04 _ _ _ C | Position 2 | + _ _ _ _ |
| 04 _ _ _ C | Position 3 | + _ _ _ _ |
| 04 _ _ _ C | Position 4 | + _ _ _ _ |
| 04 _ _ _ C | Position 5 | + _ _ _ _ |
| 04 _ _ _ C | Position 6 | + _ _ _ _ |

DOUBLE SPACE COMPONENTS

| | | |
|----------------|--------------------------|--------|
| 04DR30C | Doors w/adjustable shelf | 0 |
| 04DF30C | Drawer over Lateral File | +380 |
| 04OF30C | Open over Lateral File | +321 |
| 04DD30C | Drawer over Doors | +631 |
| 04TP30C | Trash Pullout | +1,107 |
| 04AV30C | 2 Door AV | +375 |

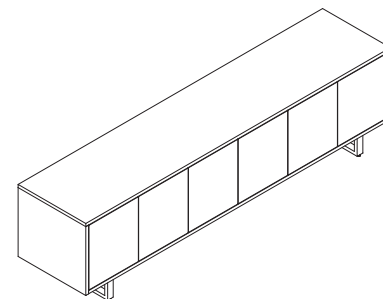
SINGLE SPACE COMPONENTS

| | | |
|----------------|-------------------------|------|
| 04DR15C | Door w/adjustable shelf | 0 |
| 04DF15C | Drawer over File | +190 |
| 04OF15C | Open over File | +161 |
| 04DD15C | Drawer over Door | +316 |
| 04TP15C | Trash Pullout | +554 |

Please consult [page 7](#) for the palette of DatesWeiser finishes. Natural stone, non-standard glass and veneer, and other technology options are available. Please email customerservice@datesweiser.com for a custom quote. Consult technical information on [page 325](#) for construction and technical details.

Highline Twenty-Five Credenza

108" Long, 29" Conference Height
04C108C



Starting Price: **\$11,201**

108" credenza, 29" high, no top, all doors, satin lacquer case and doors, powder coat legs

Pattern Number: 04C108C

Step 1. Top

| | | |
|-----------|----------|--|
| NT | No top | |
| FT | Full Top | |

Step 2. Top Finish (not applicable in 'no top' configuration)

| | | |
|--------------|---|--------|
| GC00 | Clear Glass | +2,788 |
| GC01 | Clear Glass, back painted, white | +3,592 |
| GC __ | Clear Glass, back painted, color | +3,991 |
| GE01 | Etched matte Glass, back painted, white | +3,857 |
| GE __ | Etched matte Glass, back painted, color | +4,285 |
| CS01 | Corian Glacier White | +4,494 |
| QS __ | Caesarstone | +6,292 |

Step 3. Case Finish

| | | |
|--------------|----------------------|---------|
| SL __ | Satin Lacquer | +0 |
| T1 | Veneer Tier 1 | +2,605 |
| T2 | Veneer Tier 2 | +5,832 |
| T3 | Veneer Tier 3 | +11,412 |
| HG __ | High Gloss Polyester | +12,952 |

Step 4. Leg Finish

| | | |
|--------------|-------------------|------|
| MC __ | Powder Coat | +0 |
| PM01 | Polished Chrome | +214 |
| PM02 | Satin Nickel | +214 |
| PM03 | Oil Rubbed Bronze | +214 |

Step 5. Door/Drawer Face Finish

| | | |
|--------------|----------------------|--------|
| SL __ | Satin Lacquer | +0 |
| T1 __ | Veneer Tier 1 | +653 |
| T2 __ | Veneer Tier 2 | +1,461 |
| T3 __ | Veneer Tier 3 | +2,857 |
| HG __ | High Gloss Polyester | +3,237 |

Step 6. Configuration

Specify Left to Right: Select single or double space components for 6 available positions. When any double space component is selected, insert code in desired starting position and XXXX in subsequent position.

| | | |
|------------------|------------|--------|
| 04 ____ C | Position 1 | + ____ |
| 04 ____ C | Position 2 | + ____ |
| 04 ____ C | Position 3 | + ____ |
| 04 ____ C | Position 4 | + ____ |
| 04 ____ C | Position 5 | + ____ |
| 04 ____ C | Position 6 | + ____ |

DOUBLE SPACE COMPONENTS

| | | |
|----------------|--------------------------|--------|
| 04DR36C | Doors w/adjustable shelf | 0 |
| 04FF36C | Drawer over Lateral File | +423 |
| 04OF36C | Open over Lateral File | +375 |
| 04DD36C | Drawer over Doors | +679 |
| 04TP36C | Trash Pullout | +1,172 |
| 04AV36C | 2 Door AV | +449 |

SINGLE SPACE COMPONENTS

| | | |
|----------------|-------------------------|------|
| 04DR18C | Door w/adjustable shelf | 0 |
| 04FF18C | Drawer over File | +212 |
| 04OF85C | Open over File | +187 |
| 04DD18C | Drawer over Door | +340 |
| 04TP18C | Trash Pullout | +586 |

Please consult [page 7](#) for the palette of DatesWeiser finishes. Natural stone, non-standard glass and veneer, and other technology options are available. Please email customerservice@datesweiser.com for a custom quote. Consult technical information on [page 325](#) for construction and technical details.