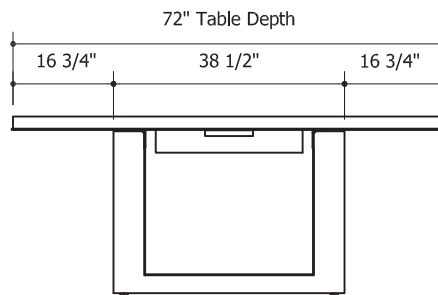
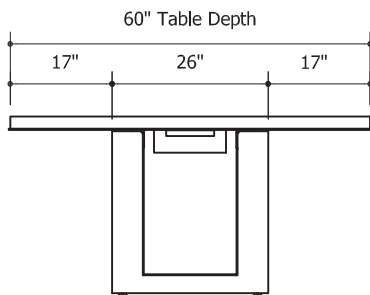
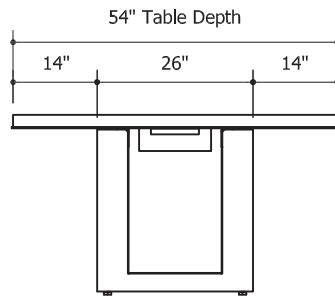
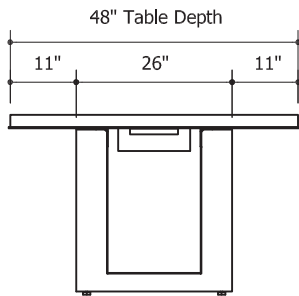
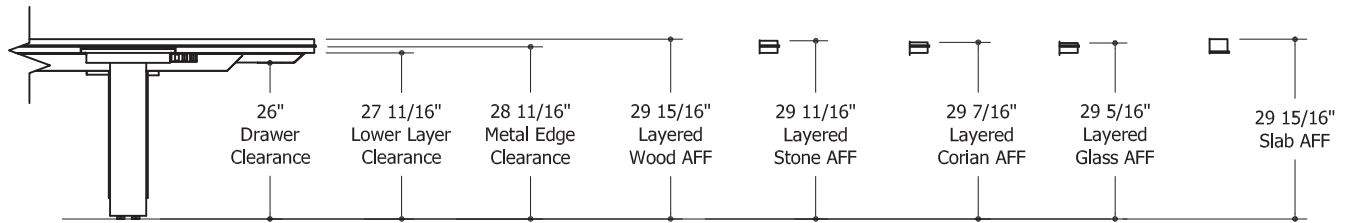


Highline Fifty Collection

Conference Tables

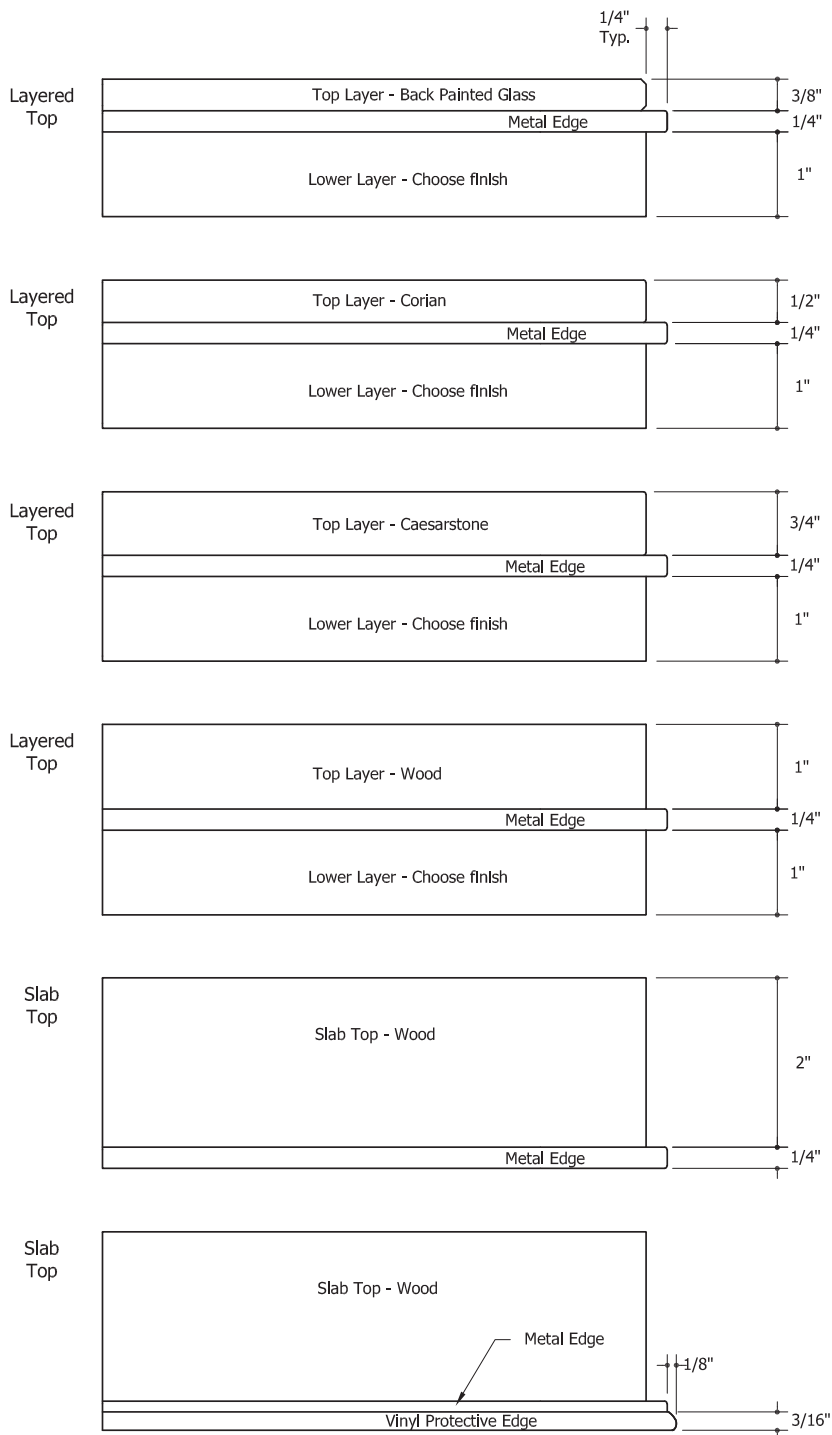
Overall Elevations and Clearance



Highline Fifty Collection

Conference Tables

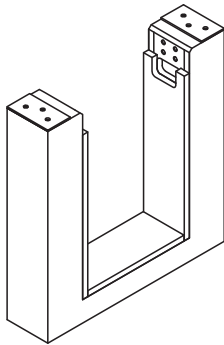
Top Construction



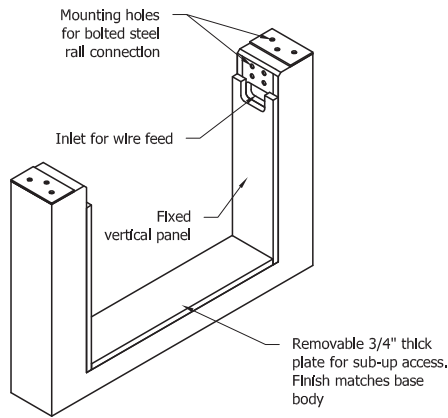
Highline Fifty Collection

Conference Tables

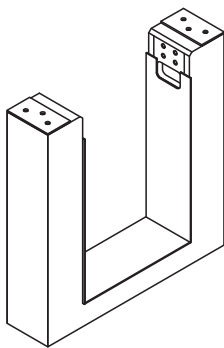
Base Construction



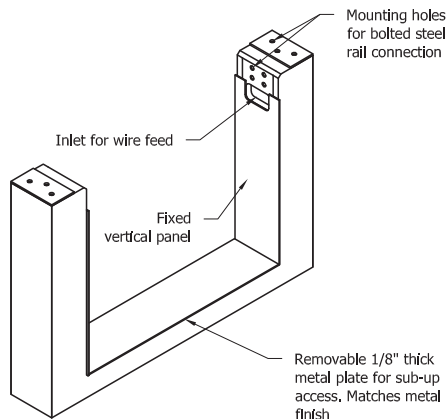
Small base : 42" / 48" / 54" / 60" Deep Tables
"ON" Open Base, no metal trim



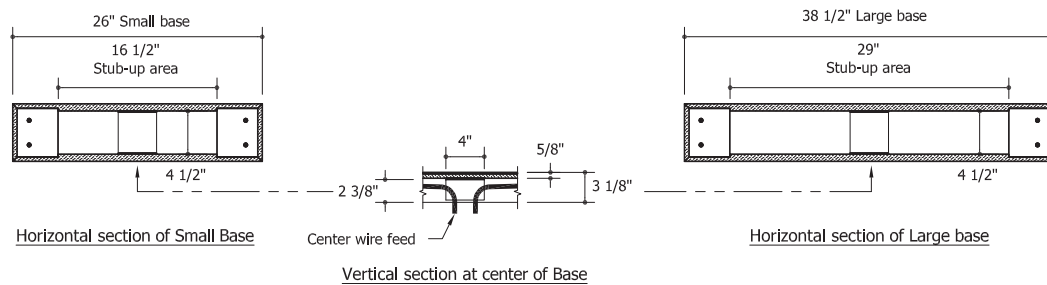
Large base : 72" Deep Tables
"ON" Open Base, no metal trim



Small base : 42" / 48" / 54" / 60" Deep Tables
"OT" Open Base, with metal trim

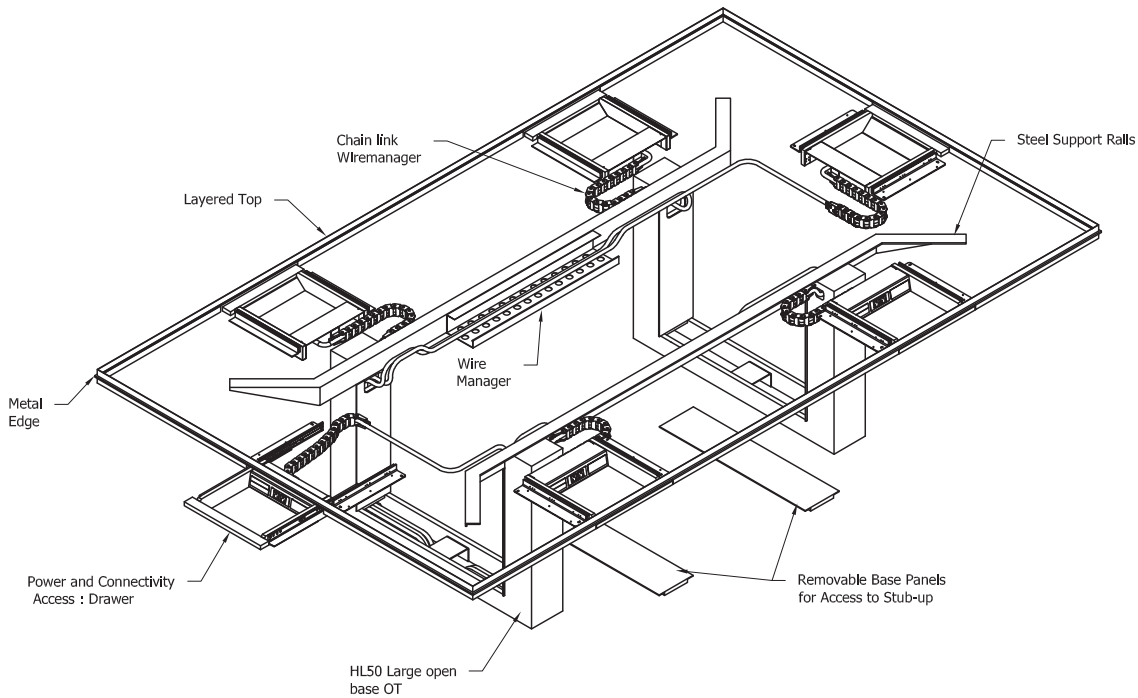


Large base : 72" Deep Tables
"OT" Open Base, with metal trim



Highline Fifty Collection

Conference Tables Power & Connectivity Drawers

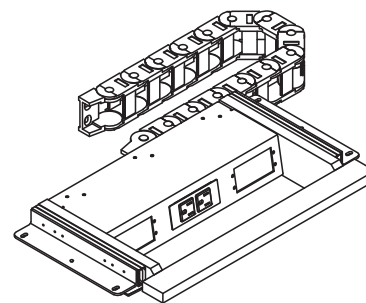
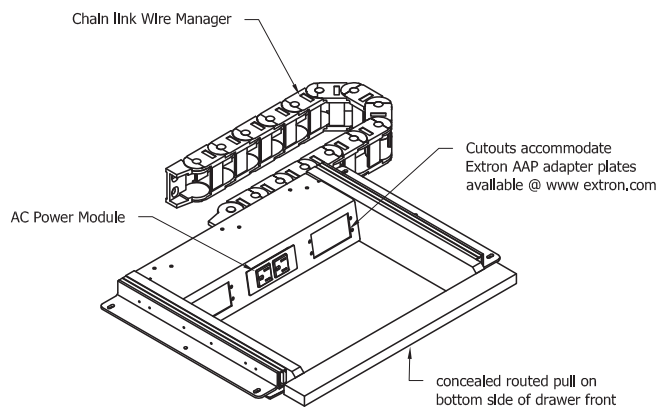


Drawer (shown populated)

- Interior: Black powder coat metallic finish (MC12)
- Provided with 1 AC power module - specify hardwired (HW) or plug in (PI), and 2 single space blank plates
- For additional connectivity, replace blank plates with Extron single or double space AAP plates as desired. For more information see extron.com

Highline Fifty Collection

Conference Tables Power & Connectivity Drawers

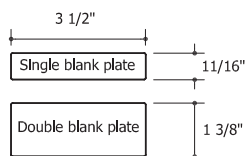


Large Drawer

- 6 1/2" deep x 12 3/4" wide flat storage with 2 1/2" interior height
- 3/8" gap above drawer for cord exit
- Concealed routed finger pull under front
- Used at table ends
- Used along the length of 60" / 72" deep tables
- Interior drawer finish: Black powder coat metallic (MC12)
- Drawer front matches lower layer finish
- Provided with 1 AC power module - specify hardwired (HW) or plug in (PI), and 2 single space blank plates

Small Drawer

- 1 7/8" deep x 12 3/4" wide flat storage with 2 1/2" interior height
- 3/8" gap above drawer for cord exit
- Concealed routed finger pull under front
- Used along the length of 48" / 54" deep tables
- Interior drawer finish: Black powder coat metallic (MC12)
- Drawer front matches lower layer finish
- Provided with 1 AC power module - specify hardwired (HW) or plug in (PI), and 2 single space blank plates



AC Module Hardwired (HW)

- 3/8" diameter x 6' long metal-clad cable with 6" pigtail
- Additional knockouts for series wiring
- 12A max per module



AC Module Plug In (PI)

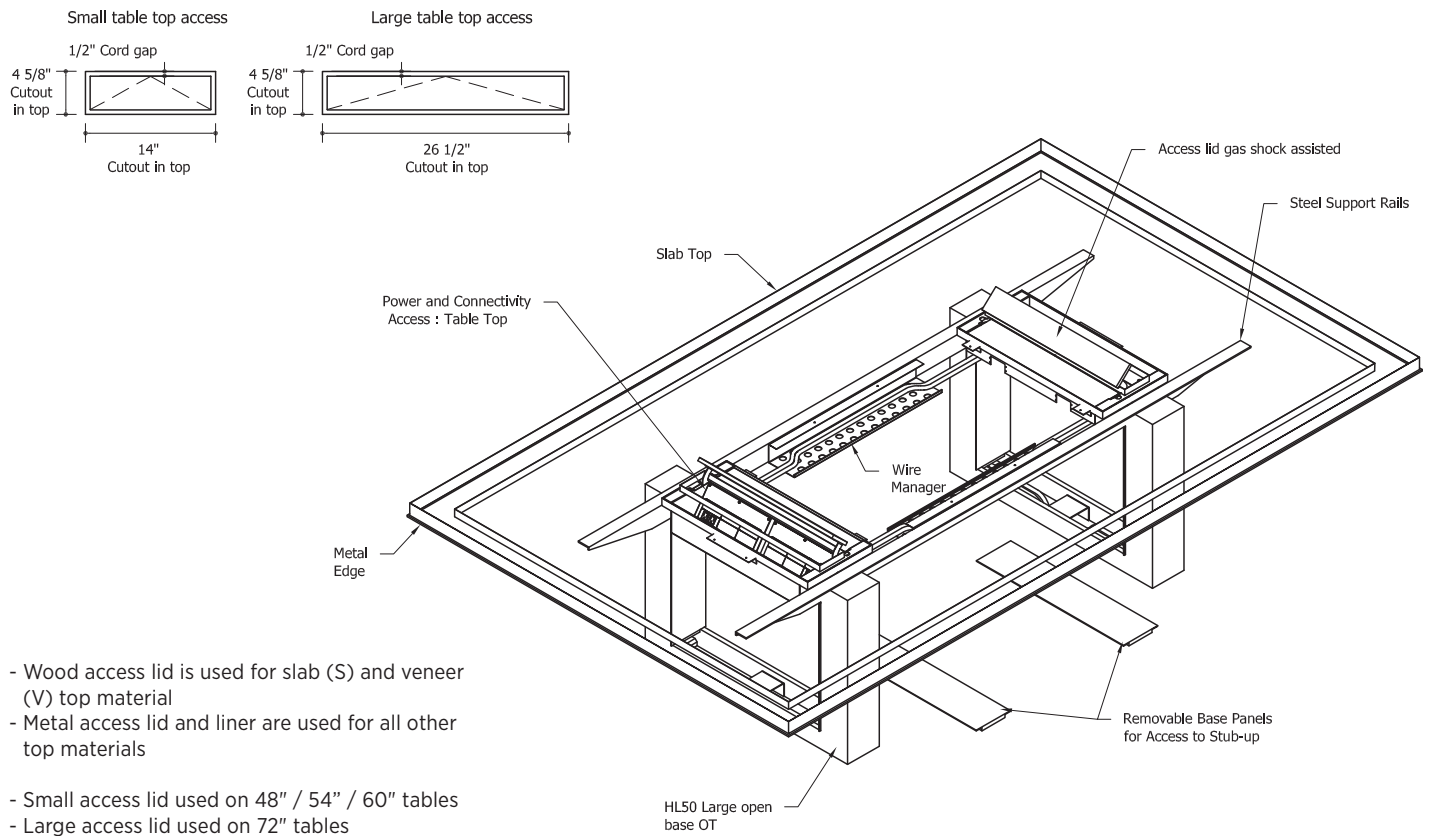
- 7.5' detachable soft cord
- 6A max per module

Highline Fifty Collection

Conference Tables

Power & Connectivity

Table Top: Small and Large



Small Table Top access (shown populated)

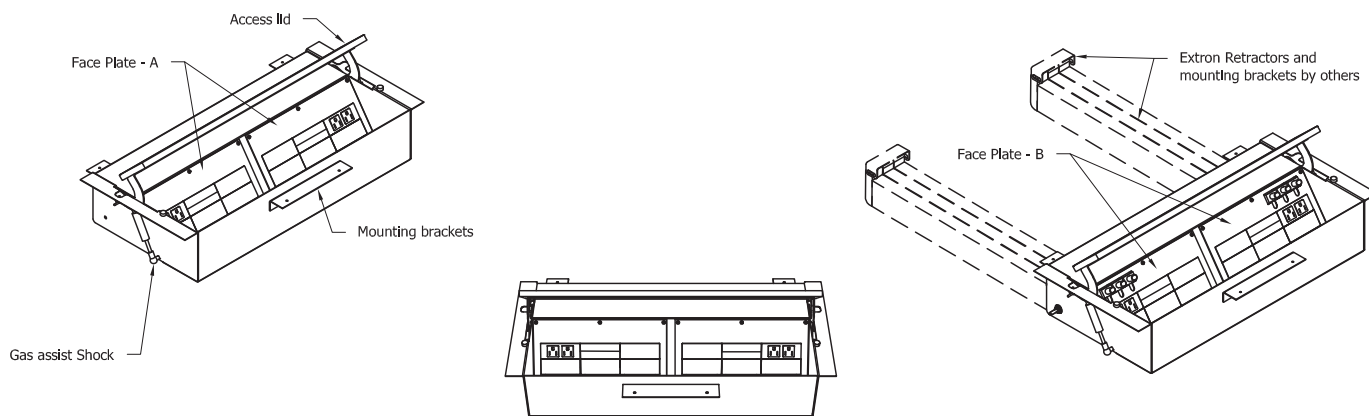


Small Table Top access (shown with optional faceplate)

- Provided with 2 AC power modules - specify hardwired (HW) or plug in (PI), 3 double space and 2 single space blank plates
- For additional connectivity, replace blank plates with Extron single or double space AAP plates as desired. For more information see extron.com

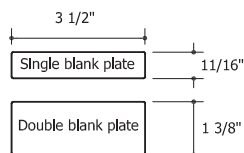
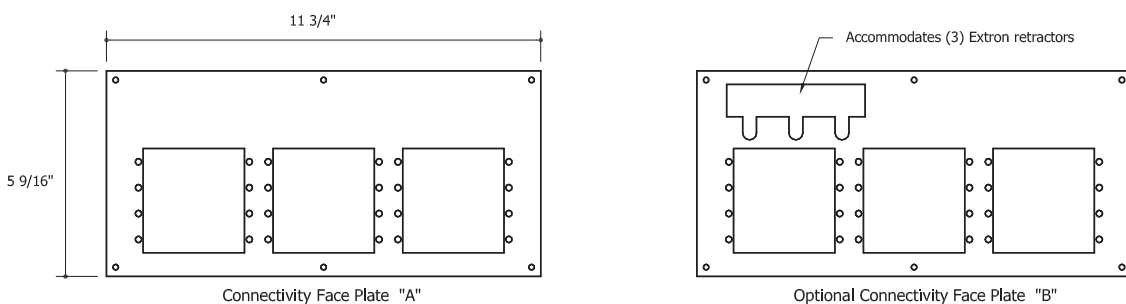
Highline Fifty Collection

Conference Tables Power & Connectivity Table Top: Large



- Interior: Black powder coat metallic finish (MC12)
- Used on 48" / 54" / 60" width tables
- Connectivity: Face Plate "A" Qty 2 is standard
- Connectivity: Face Plate "B" Is used with Extron retractors
- Face Plates are removable to allow for easy population by AV installer

- Provided with 2 AC power modules - specify hardwired (HW) or plug in (PI), 8 double space and 4 single space blank plates
- For additional connectivity, replace blank plates with Extron single or double space AAP plates as desired. For more information see extron.com



- AC Module Hardwired (HW)
- 3/8" diameter x 6' long metal-clad cable with 6" pigtail
 - Additional knockouts for series wiring
 - 12A max per module



- AC Module Plug In (PI)
- 7.5' detachable soft cord
 - 6A max per module

Highline Fifty Collection

Conference Tables Power & Connectivity Table Top Small

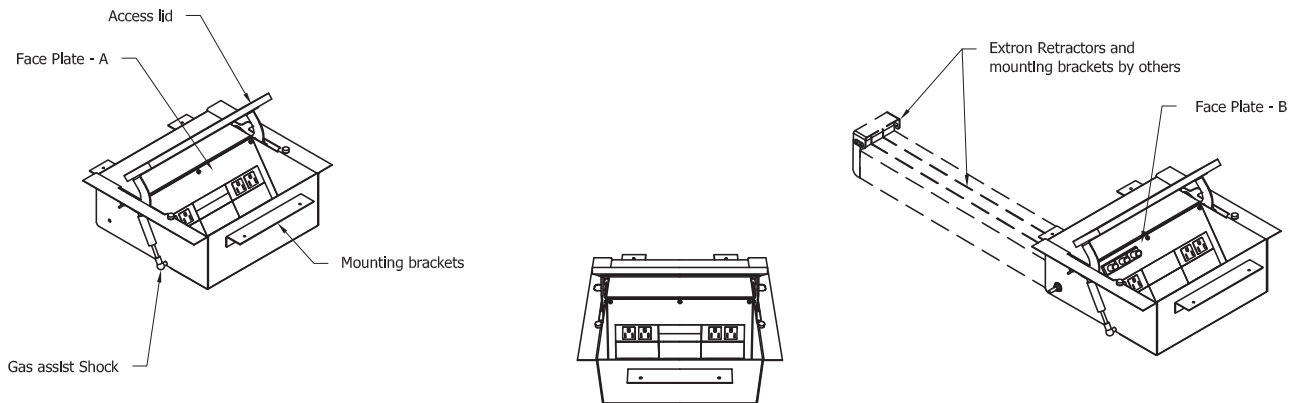
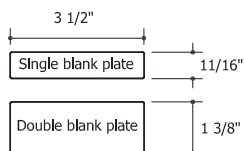
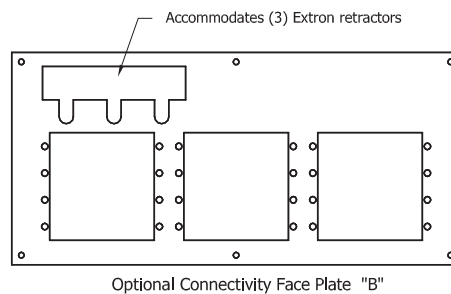
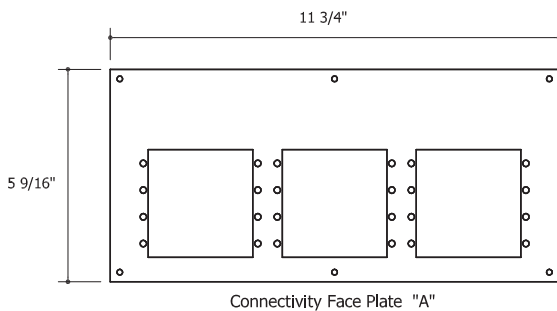


Table Top Access

- Interior: Black powder coat metallic finish (MC12)
- Used on 72" tables
- Connectivity: Face Plate "A" Qty 1 is standard
- Connectivity: Face Plate "B" Is used with Extron retractors
- Face Plates are removable to allow for easy population by AV installer

- Provided with 2 AC power modules - specify hardwired (HW) or plug in (PI), 4 double space and 2 single space blank plates
- For additional connectivity, replace blank plates with Extron single or double space AAP plates as desired. For more information see extron.com



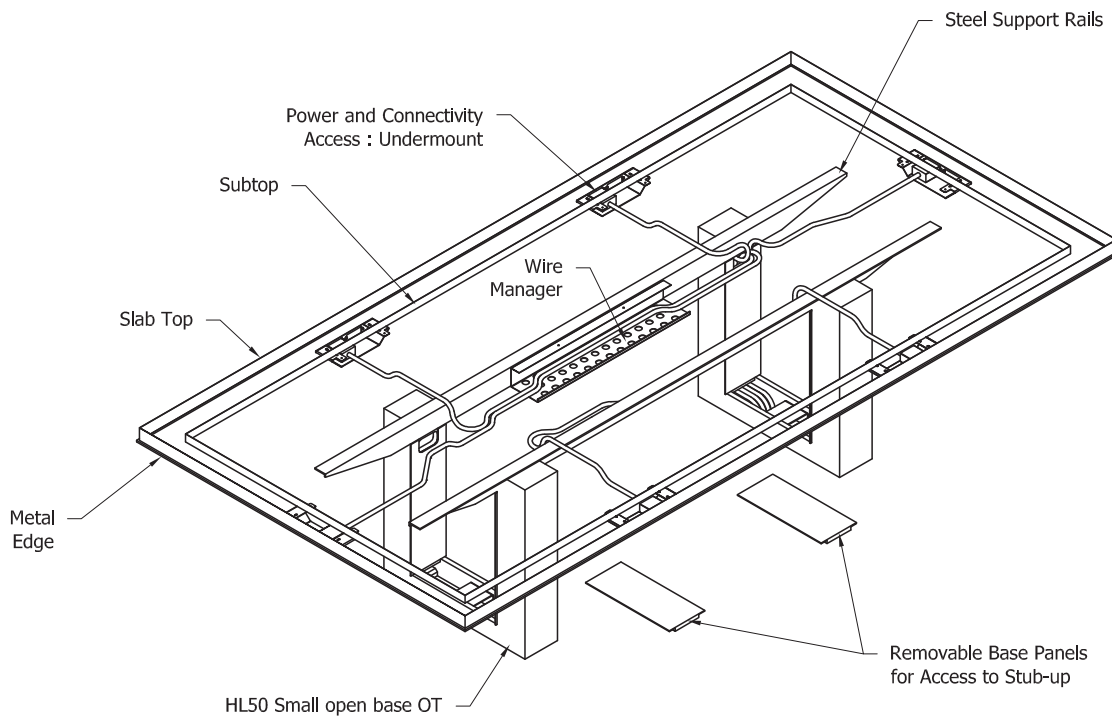
- AC Module Hardwired (HW)
- 3/8" diameter x 6' long metal-clad cable with 6" pigtail
 - Additional knockouts for series wiring
 - 12A max per module



- AC Module Plug In (PI)
- 7.5' detachable soft cord
 - 6A max per module

Highline Fifty Collection

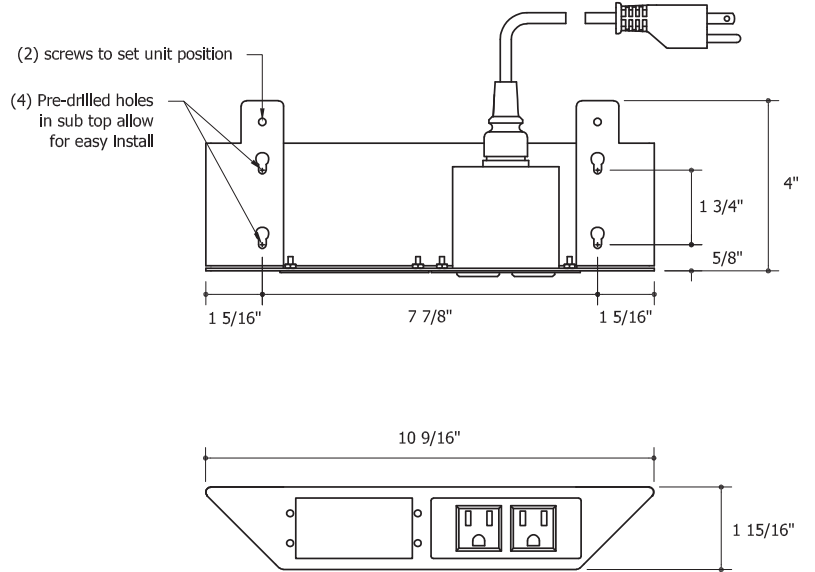
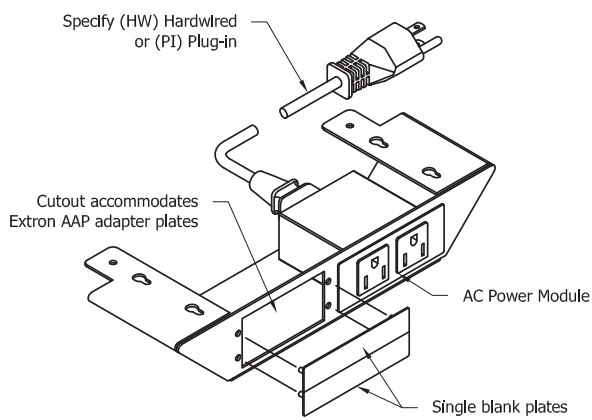
Conference Tables
Power & Connectivity
Undermount



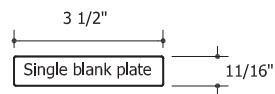
- Undermount access (shown populated)
- Black powder coat metallic finish (MC12)
 - Provided with 1 AC power module - specify hardwired (HW) or plug in (PI), and 2 single space blank plates
 - For additional connectivity replace blank plates with Extron single or double space AAP plates as desired. For more information see extron.com

Highline Fifty Collection

Conference Tables Power & Connectivity Undermount



- Black powder coat metallic finish (MC12)
- Provided with 1 AC power module - specify hardwired (HW) or plug in (PI), and 2 single space blank plates
- For additional connectivity replace blank plates with Extron single or double space AAP plates as desired. For more information see extron.com



- AC Module Hardwired (HW)
- 3/8" diameter x 6' long metal clad cable with 6" pigtail
 - Additional knockouts for series wiring
 - 12A max per module



- AC Module Plug In (PI)
- 7.5' detachable soft cord
 - 6A max per module