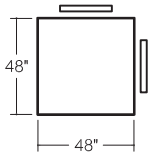
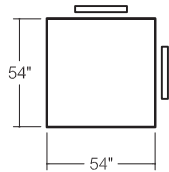


Highline Fifty Square and Round Meeting Tables Index

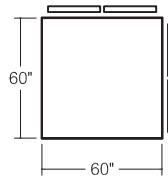
48"-72" width



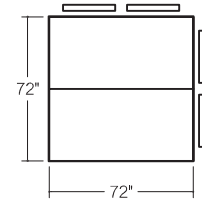
03M48S
4 Person Table



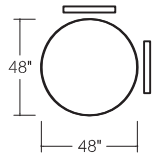
03M54S
4 Person Table



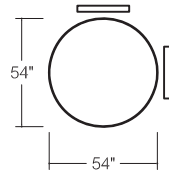
03M60S
8 Person Table



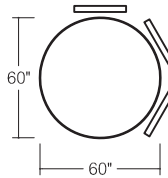
03M72S
8 Person Table



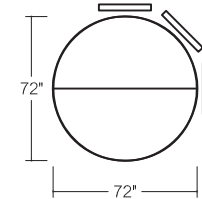
03M48C
4 Person Table



03M54C
4 Person Table



03M60C
6 Person Table

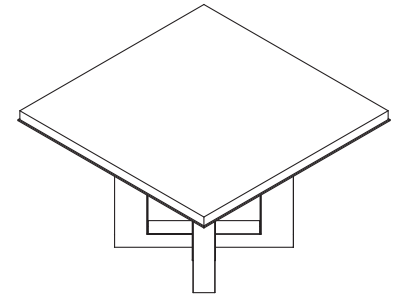


03M72C
8 Person Table

Highline Fifty Square Meeting Table

48"x48"/ 4 Person

03M48S



Starting Price: \$12,337

48x48 table, slab veneer Tier 1 top, open painted base with no metal trim, powder coat finish

Pattern Number: 03M48S

Step 1. Top Material

S	Slab (veneer only)
V	Veneer layered
G	Glass layered
C	Corian layered
Q	Caesarstone layered

Step 2. Base Options

ON	Open Base, no metal trim	+ 0
OT	Open Base, with metal trim	+2,809

Step 3. Metal Finish

MC __	Powder Coat	+0
PM01	Polished Chrome	+268
PM02	Satin Nickel	+268
PM03	Oil Rubbed Bronze	+268

Step 4A. Top Finish

T1 __	Veneer Tier 1	+0
T2 __	Veneer Tier 2	+364
T3 __	Veneer Tier 3	+1,065
GC01	Clear Glass, back painted, white	+1,376
GC __	Clear Glass, back painted, color	+2,097
GE01	Etched matte Glass, back painted, white	+1,691
GE __	Etched matte Glass, back painted, color	+2,429
CS01	Corian Glacier White	+2,664
QS __	Caesarstone	+8,665

Step 4B. Lower Layer Finish (Layer top only)

SL __	Satin Lacquer	+198
T ___	Veneer Tier 1, 2, 3	+300
HG __	High Gloss Polyester	+300

Step 5. Base Finish

T1 __	Veneer Tier 1	+1,321
T2 __	Veneer Tier 2	+2,274
T3 __	Veneer Tier 3	+4,205
SL __	Satin Lacquer	+0
HG __	High Gloss Polyester	+4,541

Step 6. Power & Connectivity Access: Optional

DRHW	Drawer, Hardwired (layered edge only), Qty 4	+6,828
DRPI	Drawer, Plug In (layered edge only), Qty 4	+5,844
HMHW	Hatchbox, Metal lid, Hardwired, Qty 1	+3,055
HMPI	Hatchbox, Metal lid, Plug In, Qty 1	+2,381
HWHW	Hatchbox, Wood lid, Hardwired, Qty 1	+3,849
HWPI	Hatchbox, Wood lid, Plug In, Qty 1	+3,000
UMHW	Undermount, Hardwired, Qty 4	+3,560
UMPI	Undermount, Plug In, Qty 4	+2,576

Step 7. Microphone and/or Grommet Accommodations: Optional

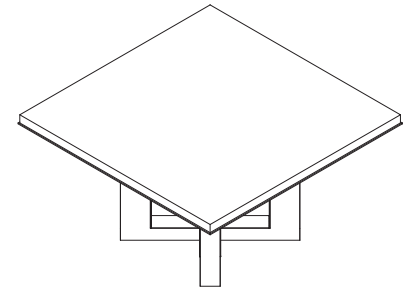
MA __	Microphone hole (factory cut)	Qty __ x 321 each
GM __	2" Grommet hole (factory cut), liner, lid, in matching metal finish	Qty __ x 423 each

Please consult [page 7](#) for the palette of DatesWeiser finishes. Natural stone, non-standard glass and veneer, and other technology options are available. Please email customerservice@datesweiser.com for a custom quote. Consult technical information on [page 310](#) for construction and technical details.

Highline Fifty Square Meeting Table

54"x54"/ 4 Person

03M54S



Starting Price: **\$13,297**

54x54 table, slab veneer Tier 1 top, open painted base with no metal trim, powder coat finish

Pattern Number: 03M54S

Step 1. Top Material

S	Slab (veneer only)	
V	Veneer layered	
G	Glass layered	
C	Corian layered	
Q	Caesarstone layered	

Step 2. Base Options

ON	Open Base, no metal trim	+ 0
OT	Open Base, with metal trim	+2,809

Step 3. Metal Finish

MC __	Powder Coat	+0
PM01	Polished Chrome	+268
PM02	Satin Nickel	+268
PM03	Oil Rubbed Bronze	+268

Step 4A. Top Finish

T1 __	Veneer Tier 1	+0
T2 __	Veneer Tier 2	+444
T3 __	Veneer Tier 3	+1,321
GC01	Clear Glass, back painted, white	+1,343
GC __	Clear Glass, back painted, color	+2,113
GE01	Etched matte Glass, back painted, white	+1,668
GE __	Etched matte Glass, back painted, color	+2,456
CS01	Corian Glacier White	+2,755
QS __	Caesarstone	+9,176

Step 4B. Lower Layer Finish (Layer top only)

SL __	Satin Lacquer	+219
T ___	Veneer Tier 1, 2, 3	+358
HG __	High Gloss Polyester	+358

Step 5. Base Finish

T1 __	Veneer Tier 1	+1,321
T2 __	Veneer Tier 2	+2,274
T3 __	Veneer Tier 3	+4,205
SL __	Satin Lacquer	+0
HG __	High Gloss Polyester	+4,541

Step 6. Power & Connectivity Access: Optional

DRHW	Drawer, Hardwired (layered edge only), Qty 4	+6,828
DRPI	Drawer, Plug In (layered edge only), Qty 4	+5,844
HMHW	Hatchbox, Metal lid, Hardwired, Qty 1	+3,055
HMPI	Hatchbox, Metal lid, Plug In, Qty 1	+2,381
HWHW	Hatchbox, Wood lid, Hardwired, Qty 1	+3,849
HWPI	Hatchbox, Wood lid, Plug In, Qty 1	+3,000
UMHW	Undermount, Hardwired, Qty 4	+3,560
UMPI	Undermount, Plug In, Qty 4	+2,576

Step 7. Microphone and/or Grommet Accommodations: Optional

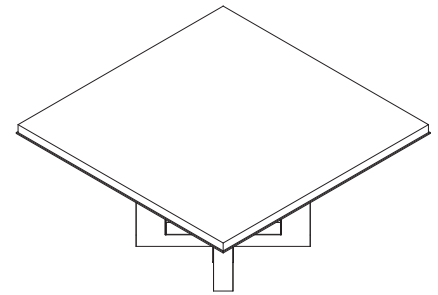
MA __	Microphone hole (factory cut)	Qty __ x 321 each
GM __	2" Grommet hole (factory cut), liner, lid, in matching metal finish	Qty __ x 423 each

Please consult [page 7](#) for the palette of DatesWeiser finishes. Natural stone, non-standard glass and veneer, and other technology options are available. Please email customerservice@datesweiser.com for a custom quote. Consult technical information on [page 310](#) for construction and technical details.

Highline Fifty Square Meeting Table

60"x60"/ 8 Person

03M60S



Starting Price: **\$14,161**

60x60 table, slab veneer Tier 1 top, open painted base with no metal trim, powder coat finish

Pattern Number: 03M60S

Step 1. Top Material

S	Slab (veneer only)
V	Veneer layered
G	Glass layered
C	Corian layered
Q	Caesarstone layered

Step 2. Base Options

ON	Open Base, no metal trim	+ 0
OT	Open Base, with metal trim	+ 2,809

Step 3. Metal Finish

MC __	Powder Coat	+0
PM01	Polished Chrome	+268
PM02	Satin Nickel	+268
PM03	Oil Rubbed Bronze	+268

Step 4A. Top Finish

T1 __	Veneer Tier 1	+0
T2 __	Veneer Tier 2	+546
T3 __	Veneer Tier 3	+1,648
GC01	Clear Glass, back painted, white	+1,513
GC __	Clear Glass, back painted, color	+2,338
GE01	Etched matte Glass, back painted, white	+1,726
GE __	Etched matte Glass, back painted, color	+2,563
CS01	Corian Glacier White	+2,857
QS __	Caesarstone*	+9,664

Step 4B. Lower Layer Finish (Layer top only)

SL __	Satin Lacquer	+294
T ___	Veneer Tier 1, 2, 3	+428
HG __	High Gloss Polyester	+428

Step 5. Base Finish

T1 __	Veneer Tier 1	+1,461
T2 __	Veneer Tier 2	+2,525
T3 __	Veneer Tier 3	+4,655
SL __	Satin Lacquer	+0
HG __	High Gloss Polyester	+5,027

Step 6. Power & Connectivity Access: Optional

DRHW	Drawer, Hardwired (layered edge only), Qty 4	+6,828
DRPI	Drawer, Plug In (layered edge only), Qty 4	+5,844
HMHW	Hatchbox, Metal lid, Hardwired, Qty 1	+3,055
HMPI	Hatchbox, Metal lid, Plug In, Qty 1	+2,381
HWHW	Hatchbox, Wood lid, Hardwired, Qty 1	+3,849
HWPI	Hatchbox, Wood lid, Plug In, Qty 1	+3,000
UMHW	Undermount, Hardwired, Qty 4	+3,560
UMPI	Undermount, Plug In, Qty 4	+2,576

Step 7. Microphone and/or Grommet Accommodations: Optional

MA __	Microphone hole (factory cut)	Qty __ x 321 each
GM __	2" Grommet hole (factory cut), liner, lid, in matching metal finish	Qty __ x 423 each

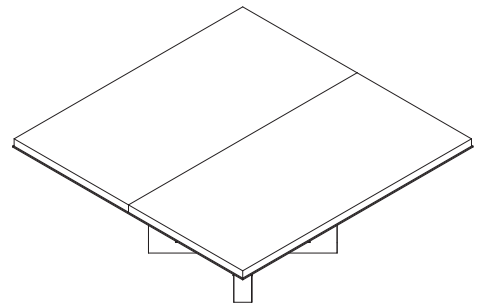
Please consult [page 7](#) for the palette of DatesWeiser finishes. Natural stone, non-standard glass and veneer, and other technology options are available. Please email customerservice@datesweiser.com for a custom quote. Consult technical information on [page 310](#) for construction and technical details.

*Tables with a Caesarstone finish require a 2-section top.

Highline Fifty Square Meeting Table

72"x72"/ 8 Person

03M72S



Starting Price: \$16,957

72x72 table, slab veneer Tier 1 top, open painted base with no metal trim, powder coat finish

Pattern Number: 03M72S

Step 1. Top Material

S	Slab (veneer only)	
V	Veneer layered	
G	Glass layered	
C	Corian layered	
Q	Caesarstone layered	

Step 2. Base Options

ON	Open Base, no metal trim	+ 0
OT	Open Base, with metal trim	+ 2,809

Step 3. Metal Finish

MC __	Powder Coat	+0
PM01	Polished Chrome	+268
PM02	Satin Nickel	+268
PM03	Oil Rubbed Bronze	+268

Step 4A. Top Finish

T1 __	Veneer Tier 1	+0
T2 __	Veneer Tier 2	+765
T3 __	Veneer Tier 3	+2,349
GC01	Clear Glass, back painted, white	+1,404
GC __	Clear Glass, back painted, color	+2,370
GE01	Etched matte Glass, back painted, white	+1,618
GE __	Etched matte Glass, back painted, color	+2,595
CS01	Corian Glacier White	+2,927
QS __	Caesarstone	+10,881

Step 4B. Lower Layer Finish (Layer top only)

SL __	Satin Lacquer	+391
T ___	Veneer Tier 1, 2, 3	+556
HG __	High Gloss Polyester	+556

Step 5. Base Finish

T1 __	Veneer Tier 1	+1,461
T2 __	Veneer Tier 2	+2,525
T3 __	Veneer Tier 3	+4,655
SL __	Satin Lacquer	+0
HG __	High Gloss Polyester	+5,027

Step 6. Power & Connectivity Access: Optional

DRHW	Drawer, Hardwired (layered edge only), Qty 4	+6,828
DRPI	Drawer, Plug In (layered edge only), Qty 4	+5,844
HMHW	Hatchbox, Metal lid, Hardwired, Qty 1	+3,055
HMPI	Hatchbox, Metal lid, Plug In, Qty 1	+2,381
HWHW	Hatchbox, Wood lid, Hardwired, Qty 1	+3,849
HWPI	Hatchbox, Wood lid, Plug In, Qty 1	+3,000
UMHW	Undermount, Hardwired, Qty 4	+3,560
UMPI	Undermount, Plug In, Qty 4	+2,576

Step 7. Microphone and/or Grommet Accommodations: Optional

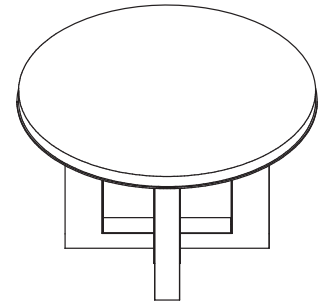
MA __	Microphone hole (factory cut)	Qty __ x 321 each
GM __	2" Grommet hole (factory cut), liner, lid, in matching metal finish	Qty __ x 423 each

Please consult [page 7](#) for the palette of DatesWeiser finishes. Natural stone, non-standard glass and veneer, and other technology options are available. Please email customerservice@datesweiser.com for a custom quote. Consult technical information on [page 310](#) for construction and technical details.

Highline Fifty Round Meeting Table

48"/ 4 Person

03M48C



Starting Price: **\$14,548**

48" table, slab veneer Tier 1 top, open painted base with no metal trim, powder coat finish

Pattern Number: 03M48C

Step 1. Top Material

S	Slab (veneer only)
V	Veneer layered
G	Glass layered
C	Corian layered
Q	Caesarstone layered

Step 2. Base Options

ON	Open Base, no metal trim	+ 0
OT	Open Base, with metal trim	+2,809

Step 3. Metal Finish

MC __	Powder Coat	+0
PM01	Polished Chrome	+1,252
PM02	Satin Nickel	+1,252
PM03	Oil Rubbed Bronze	+1,252

Step 4A. Top Finish

T1 __	Veneer Tier 1	+0
T2 __	Veneer Tier 2	+342
T3 __	Veneer Tier 3	+1,043
GC01	Clear Glass, back painted, white	+2,154
GC __	Clear Glass, back painted, color	+3,033
GE01	Etched matte Glass, back painted, white	+2,621
GE __	Etched matte Glass, back painted, color	+3,525
CS01	Corian Glacier White	+5,195
QS __	Caesarstone	+13,091

Step 4B. Lower Layer Finish (Layer top only)

SL __	Satin Lacquer	+198
T ___	Veneer Tier 1, 2, 3	+305
HG __	High Gloss Polyester	+305

Step 5. Base Finish

T1 __	Veneer Tier 1	+1,321
T2 __	Veneer Tier 2	+2,274
T3 __	Veneer Tier 3	+4,205
SL __	Satin Lacquer	+0
HG __	High Gloss Polyester	+4,541

Step 6. Power & Connectivity Access: Optional

DRHW	Drawer, Hardwired (layered edge only), Qty 4	+6,828
DRPI	Drawer, Plug In (layered edge only), Qty 4	+5,844
HMHW	Tabletop, Metal lid, Hardwired, Qty 1	+3,055
HMPI	Tabletop, Metal lid, Plug In, Qty 1	+2,381
HWHW	Tabletop, Wood lid, Hardwired, Qty 1	+3,849
HWPI	Tabletop, Wood lid, Plug In, Qty 1	+3,000
UMHW	Undermount, Hardwired, Qty 4	+3,560
UMPI	Undermount, Plug In, Qty 4	+2,576

Step 5. Microphone and/or Grommet Accommodations: Optional

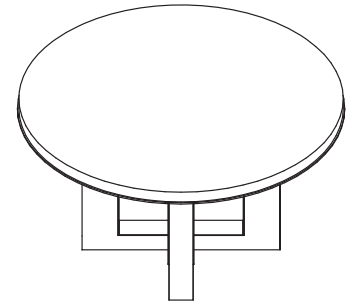
MA __	Microphone hole (factory cut)	Qty __ x 321 each
GM __	2" Grommet hole (factory cut), liner, lid, in matching metal finish	Qty __ x 423 each

Please consult [page 7](#) for the palette of DatesWeiser finishes. Natural stone, non-standard glass and veneer, and other technology options are available. Please email customerservice@datesweiser.com for a custom quote. Consult technical information on [page 310](#) for construction and technical details.

Highline Fifty Round Meeting Table

54"/ 4 Person

03M54C



Starting Price: \$16,126

54" table, slab veneer Tier 1 top, open painted base with no metal trim, powder coat finish

Pattern Number: 03M54C

Step 1. Top Material

S	Slab (veneer only)
V	Veneer layered
G	Glass layered
C	Corian layered
Q	Caesarstone layered

Step 2. Base Options

ON	Open Base, no metal trim	+ 0
OT	Open Base, with metal trim	+2,809

Step 3. Metal Finish

MC __	Powder Coat	+0
PM01	Polished Chrome	+1,525
PM02	Satin Nickel	+1,525
PM03	Oil Rubbed Bronze	+1,525

Step 4A. Top Finish

T1 __	Veneer Tier 1	+0
T2 __	Veneer Tier 2	+439
T3 __	Veneer Tier 3	+1,284
GC01	Clear Glass, back painted, white	+2,237
GC __	Clear Glass, back painted, color	+3,205
GE01	Etched matte Glass, back painted, white	+2,868
GE __	Etched matte Glass, back painted, color	+3,868
CS01	Corian Glacier White	+5,981
QS __	Caesarstone	+14,824

Step 4B. Lower Layer Finish (Layer top only)

SL __	Satin Lacquer	+246
T ___	Veneer Tier 1, 2, 3	+385
HG __	High Gloss Polyester	+385

Step 5. Base Finish

T1 __	Veneer Tier 1	+1,321
T2 __	Veneer Tier 2	+2,274
T3 __	Veneer Tier 3	+4,205
SL __	Satin Lacquer	+0
HG __	High Gloss Polyester	+4,541

Step 6. Power & Connectivity Access: Optional

DRHW	Drawer, Hardwired (layered edge only), Qty 4	+6,828
DRPI	Drawer, Plug In (layered edge only), Qty 4	+5,844
HMHW	Tabletop, Metal lid, Hardwired, Qty 1	+3,055
HMPI	Tabletop, Metal lid, Plug In, Qty 1	+2,381
HWHW	Tabletop, Wood lid, Hardwired, Qty 1	+3,849
HWPI	Tabletop, Wood lid, Plug In, Qty 1	+3,000
UMHW	Undermount, Hardwired, Qty 4	+3,560
UMPI	Undermount, Plug In, Qty 4	+2,576

Step 5. Microphone and/or Grommet Accommodations: Optional

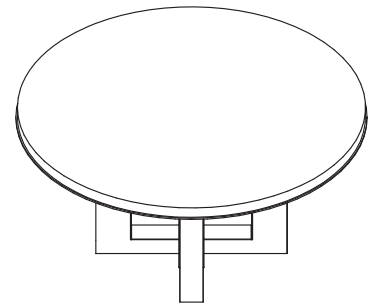
MA __	Microphone hole (factory cut)	Qty __ x 321 each
GM __	2" Grommet hole (factory cut), liner, lid, in matching metal finish	Qty __ x 423 each

Please consult [page 7](#) for the palette of DatesWeiser finishes. Natural stone, non-standard glass and veneer, and other technology options are available. Please email customerservice@datesweiser.com for a custom quote. Consult technical information on [page 310](#) for construction and technical details.

Highline Fifty Round Meeting Table

60"/ 6 Person

03M60C



Starting Price: **\$16,935**

60" table, slab veneer Tier 1 top, open painted base with no metal trim, powder coat finish

Pattern Number: 03M60C

Step 1. Top Material

S	Slab (veneer only)	
V	Veneer layered	
G	Glass layered	
C	Corian layered	
Q	Caesarstone layered	

Step 2. Base Options

ON	Open Base, no metal trim	+ 0
OT	Open Base, with metal trim	+2,809

Step 3. Metal Finish

MC __	Powder Coat	+0
PM01	Polished Chrome	+1,578
PM02	Satin Nickel	+1,578
PM03	Oil Rubbed Bronze	+1,578

Step 4A. Top Finish

T1 __	Veneer Tier 1	+0
T2 __	Veneer Tier 2	+508
T3 __	Veneer Tier 3	+1,589
GC01	Clear Glass, back painted, white	+2,238
GC __	Clear Glass, back painted, color	+3,247
GE01	Etched matte Glass, back painted, white	+2,935
GE __	Etched matte Glass, back painted, color	+3,980
CS01	Corian Glacier White	+6,564
QS __	Caesarstone*	+15,964

Step 4B. Lower Layer Finish (Layer top only)

SL __	Satin Lacquer	+284
T __ __	Veneer Tier 1, 2, 3	+439
HG __	High Gloss Polyester	+439

Step 5. Base Finish

T1 __	Veneer Tier 1	+1,461
T2 __	Veneer Tier 2	+2,525
T3 __	Veneer Tier 3	+4,655
SL __	Satin Lacquer	+0
HG __	High Gloss Polyester	+5,027

Step 6. Power & Connectivity Access: Optional

DRHW	Drawer, Hardwired (layered edge only), Qty 4	+6,828
DRPI	Drawer, Plug In (layered edge only), Qty 4	+5,844
HMHW	Tabletop, Metal lid, Hardwired, Qty 1	+3,055
HMPI	Tabletop, Metal lid, Plug In, Qty 1	+2,381
HWHW	Tabletop, Wood lid, Hardwired, Qty 1	+3,849
HWPI	Tabletop, Wood lid, Plug In, Qty 1	+3,000
UMHW	Undermount, Hardwired, Qty 5	+4,450
UMPI	Undermount, Plug In, Qty 5	+3,220

Step 5. Microphone and/or Grommet Accommodations: Optional

MA __	Microphone hole (factory cut)	Qty __ x 321 each
GM __	2" Grommet hole (factory cut), liner, lid, in matching metal finish	Qty __ x 423 each

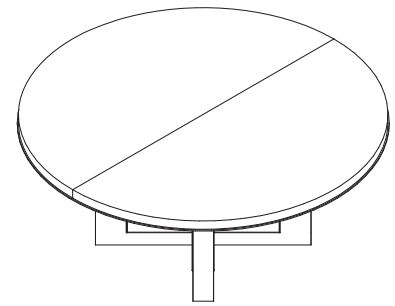
Please consult [page 7](#) for the palette of DatesWeiser finishes. Natural stone, non-standard glass and veneer, and other technology options are available. Please email customerservice@datesweiser.com for a custom quote. Consult technical information on [page 310](#) for construction and technical details.

*Tables with a Caesarstone finish require a 2-section top.

Highline Fifty Round Meeting Table

72"/ 8 Person

03M72C



Starting Price: \$19,841

72" table, slab veneer Tier 1 top, open painted base with no metal trim, powder coat finish

Pattern Number: 03M72C

Step 1. Top Material

S	Slab (veneer only)	
V	Veneer layered	
G	Glass layered	
C	Corian layered	
Q	Caesarstone layered	

Step 2. Base Options

ON	Open Base, no metal trim	+ 0
OT	Open Base, with metal trim	+2,809

Step 3. Metal Finish

MC __	Powder Coat	+0
PM01	Polished Chrome	+1,605
PM02	Satin Nickel	+1,605
PM03	Oil Rubbed Bronze	+1,605

Step 4A. Top Finish

T1 __	Veneer Tier 1	+0
T2 __	Veneer Tier 2	+797
T3 __	Veneer Tier 3	+2,338
GC01	Clear Glass, back painted, white	+2,154
GC __	Clear Glass, back painted, color	+3,312
GE01	Etched matte Glass, back painted, white	+2,834
GE __	Etched matte Glass, back painted, color	+4,029
CS01	Corian Glacier White	+7,586
QS __	Caesarstone	+18,557

Step 4B. Lower Layer Finish (Layer top only)

SL __	Satin Lacquer	+348
T ___	Veneer Tier 1, 2, 3	+524
HG __	High Gloss Polyester	+524

Step 5. Base Finish

T1 __	Veneer Tier 1	+1,461
T2 __	Veneer Tier 2	+2,525
T3 __	Veneer Tier 3	+4,655
SL __	Satin Lacquer	+0
HG __	High Gloss Polyester	+5,027

Step 6. Power & Connectivity Access: Optional

DRHW	Drawer, Hardwired (layered edge only), Qty 4	+6,828
DRPI	Drawer, Plug In (layered edge only), Qty 4	+5,844
HMHW	Tabletop, Metal lid, Hardwired, Qty 1	+3,055
HMPI	Tabletop, Metal lid, Plug In, Qty 1	+2,381
HWHW	Tabletop, Wood lid, Hardwired, Qty 1	+3,849
HWPI	Tabletop, Wood lid, Plug In, Qty 2	+3,000
UMHW	Undermount, Hardwired, Qty 6	+5,340
UMPI	Undermount, Plug In, Qty 6	+3,864

Step 5. Microphone and/or Grommet Accommodations: Optional

MA __	Microphone hole (factory cut)	Qty __ x 321 each
GM __	2" Grommet hole (factory cut), liner, lid, in matching metal finish	Qty __ x 423 each

Please consult [page 7](#) for the palette of DatesWeiser finishes. Natural stone, non-standard glass and veneer, and other technology options are available. Please email customerservice@datesweiser.com for a custom quote. Consult technical information on [page 310](#) for construction and technical details.