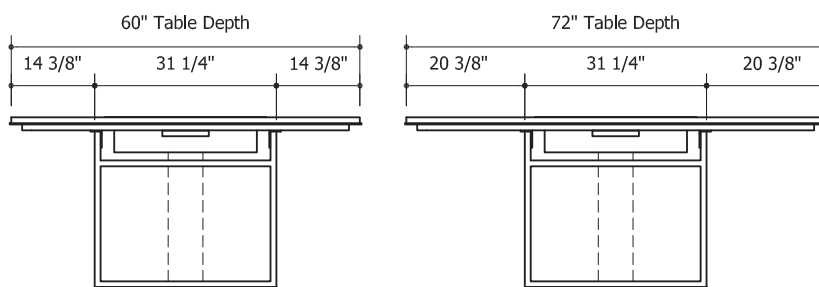
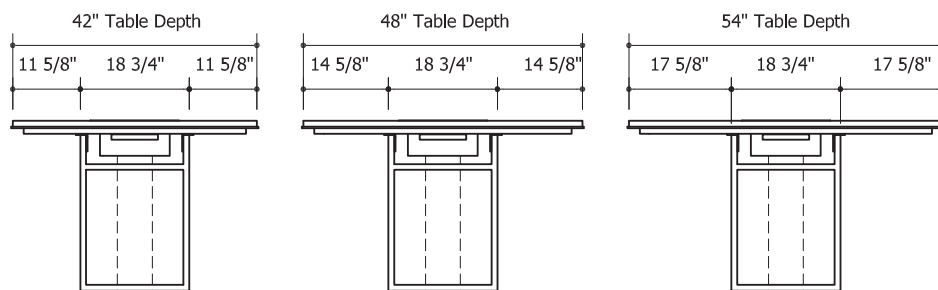
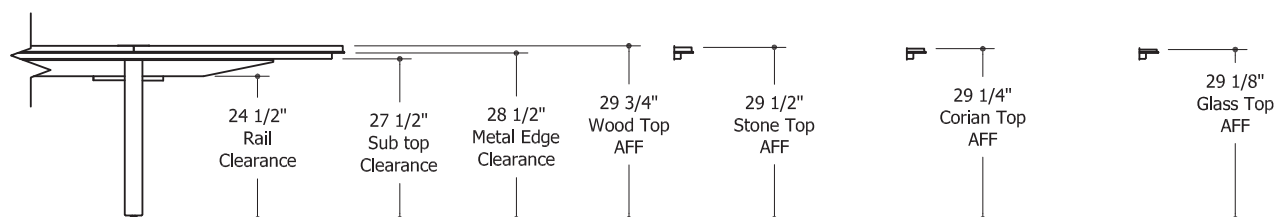


# Highline Collection

## Conference Tables

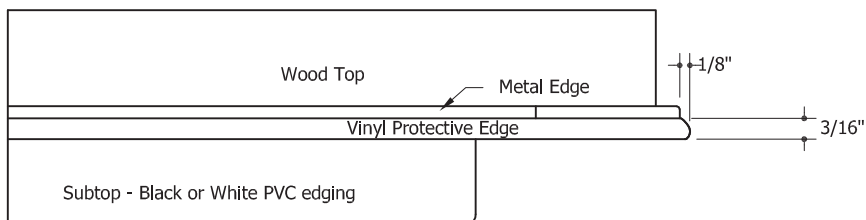
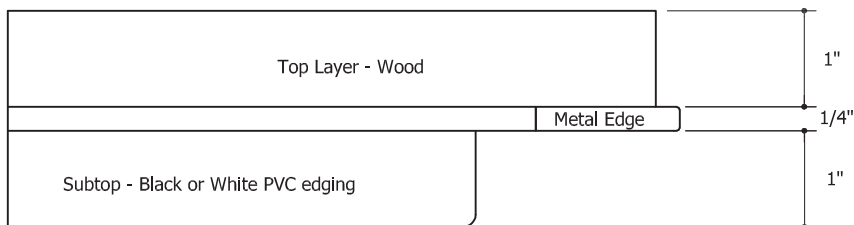
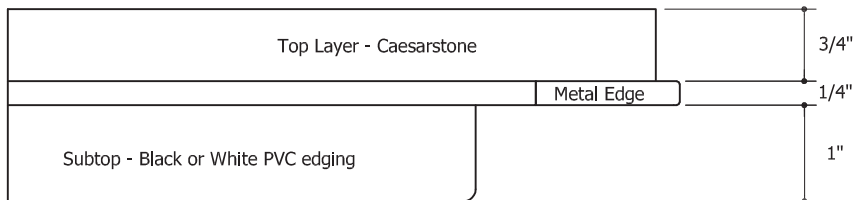
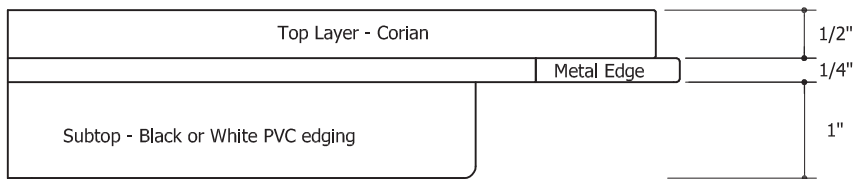
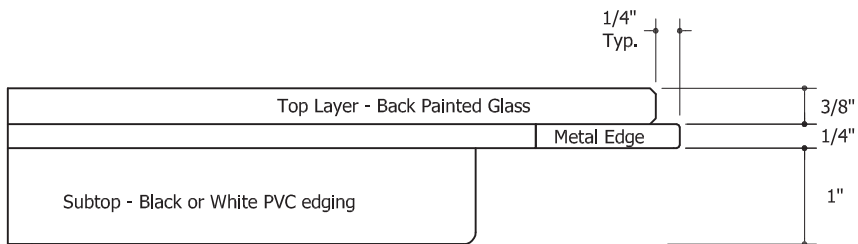
### Overall Elevations and Clearance



# Highline Collection

## Conference Tables

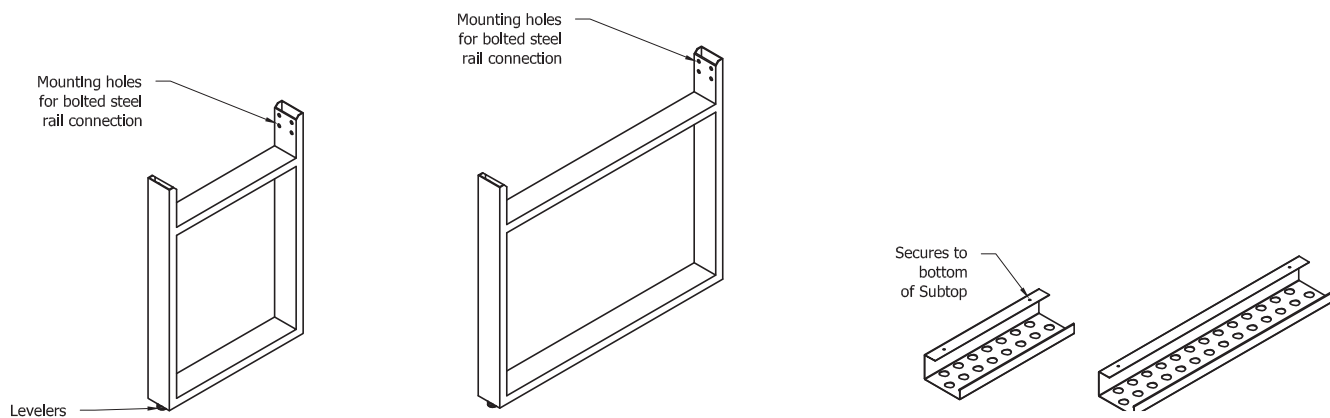
### Top Construction



# Highline Collection

## Conference Tables

### Base Construction / Wire Management Column



#### Highline Small Base

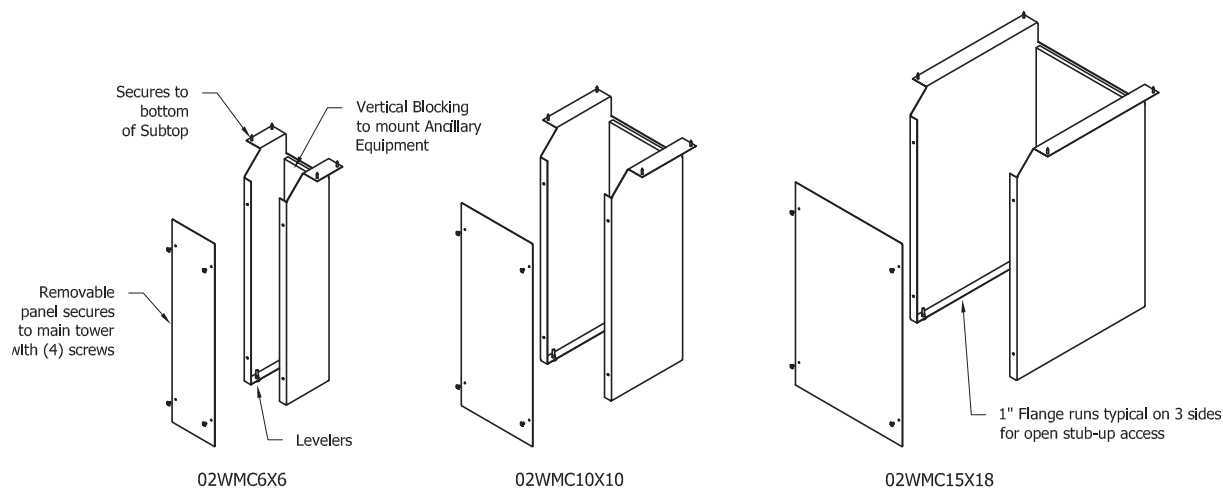
- Used on 42" / 48" / 54" widths
- Also used in combination with large bases for some elliptical and trapezoid configurations
- Construction: 1" x 3" tubular steel

#### Highline Large Base

- Used on 60" / 72" widths
- Also used in combination with small bases for some elliptical and trapezoid configurations
- Construction: 1" x 3" tubular steel

#### Wire Manager

- Length varies by table 16" or 28" x 5" deep x 3" high
- Construction: Steel with black powder coat metallic finish (MC12)



#### Wire Management Column

- Ordered separately but required with all power options
- Location is flexible but placement on table centerline is recommended

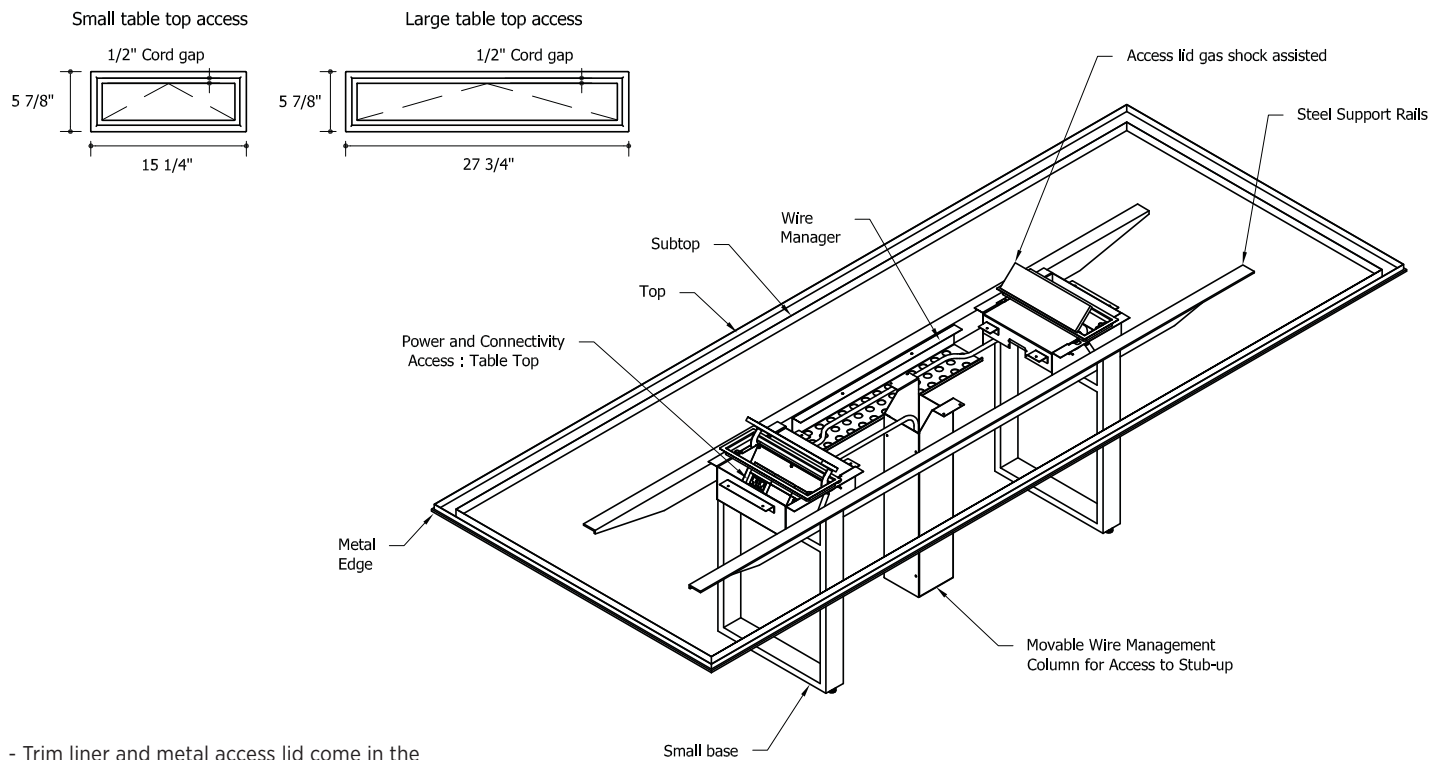
02WMC6X6	6" x 6" with clear inside of 4" x 5"
02WMC10X10	10" x 10" with clear inside of 8" x 9"
02WMC15X18	15" x 18" with clear inside of 13" x 17"

# Highline Collection

## Conference Tables

### Power & Connectivity

#### Table Top: Small and Large



- Trim liner and metal access lid come in the specified metal finish
- Small access lid used on 42" / 48" / 54" tables
- Large access lid used on 60" / 72" tables



Small Table Top access (shown populated)

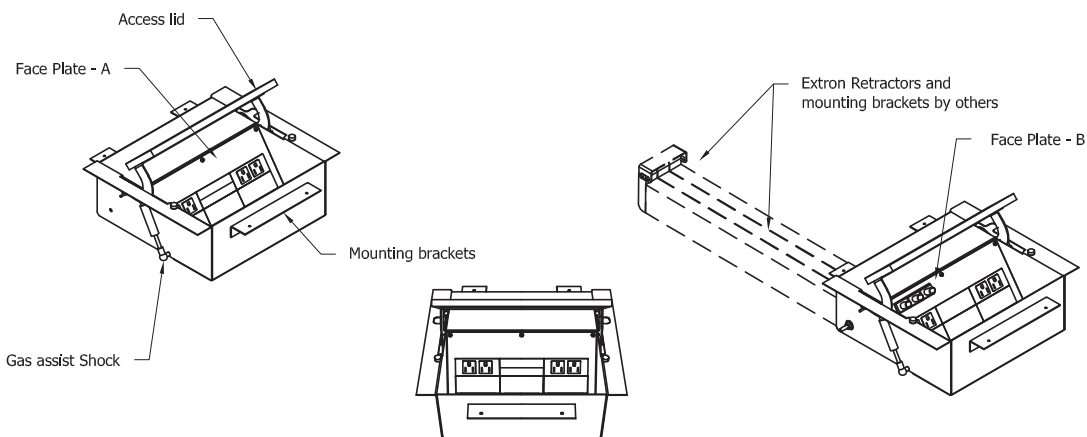


Small Table Top access (shown with optional faceplate)

- Provided with 2 AC power modules - specify hardwired (HW) or plug in (PI), 3 double space and 2 single space blank plates
- For additional connectivity, replace blank plates with Extron single or double space AAP plates as desired. For more information see [extron.com](http://extron.com)

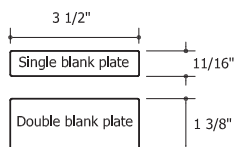
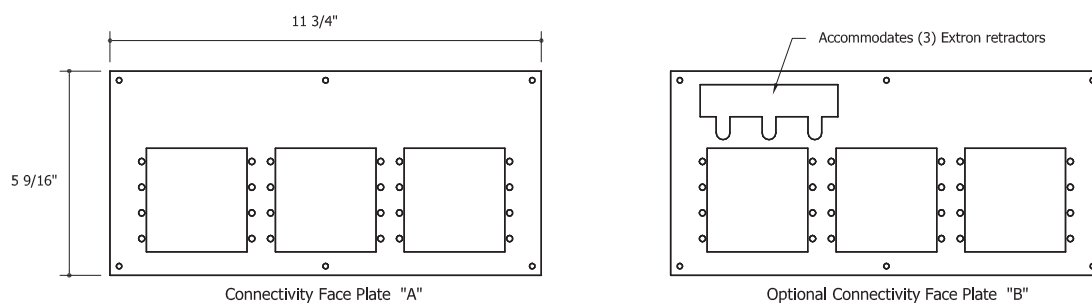
# Highline Collection

## Conference Tables Power & Connectivity Table Top: Small



- Interior: Black powder coat metallic finish (MC12)
- Used on 42" / 48" / 54" width conference tables
- Also used in combination with large boxes for some elliptical and trapezoid configurations
- Connectivity: Face Plate "A" Qty 1 is standard
- Connectivity: Face Plate "B" is used with Extron retractors

- Face Plates are removable to allow for easy population by AV installer
- Provided with 2 AC power modules - specify hardwired (HW) or plug in (PI), 3 double space and 2 single space blank plates
- For additional connectivity, replace blank plates with Extron single or double space AAP plates as desired. For more information see [extron.com](http://extron.com)



- AC Module Hardwired (HW)
- 3/8" diameter x 6' long metal-clad cable with 6" pigtail
  - Additional knockouts for series wiring
  - 12A max per module

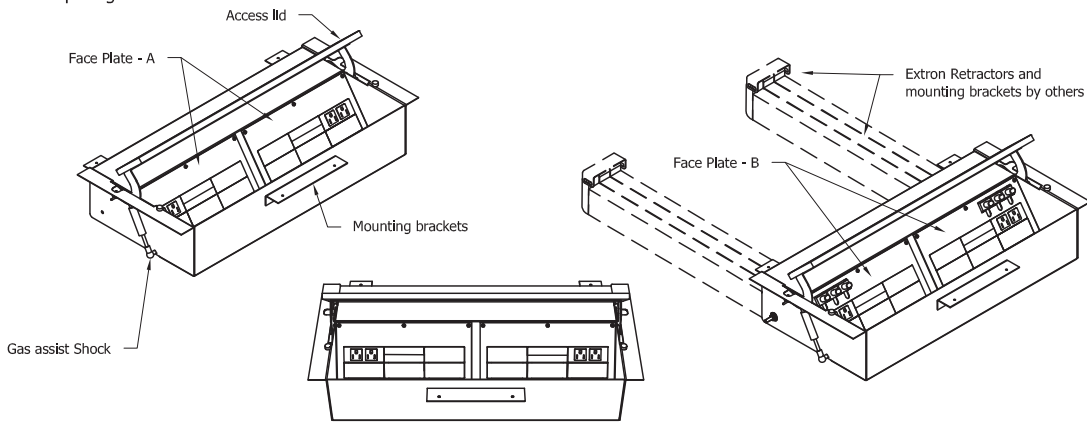


- AC Module Plug In (PI)
- 7.5' detachable soft cord
  - 6A max per module

# Highline Collection

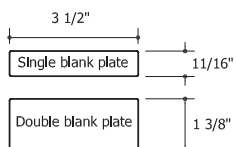
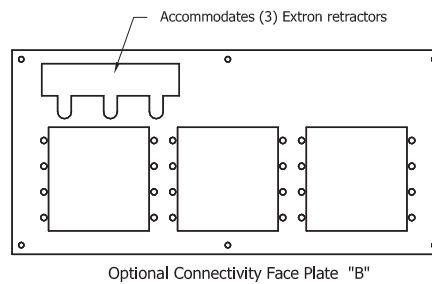
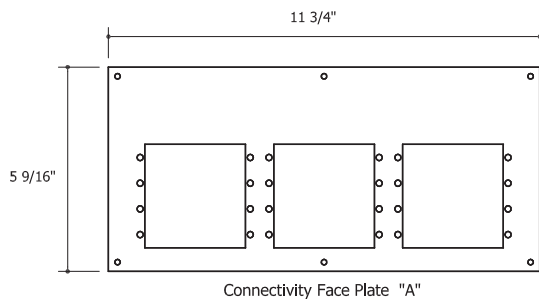
## Conference Tables Power & Connectivity Table Top: Large

Table Top Large



- Interior: Black powder coat metallic finish (MC12)
- Used on 60" / 72" width tables
- Also used in combination with Highline Small boxes for some elliptical and trapezoid configurations
- Connectivity: Face Plate "A" Qty 2 is standard
- Connectivity: Face Plate "B" is used with Extron retractors

- Face Plates are removable to allow for easy population by AV installer
- Provided with 2 AC power modules - specify hardwired (HW) or plug in (PI), 8 double space and 4 single space blank plates
- For additional connectivity, replace blank plates with Extron single or double space AAP plates as desired. For more information see [extron.com](http://extron.com)



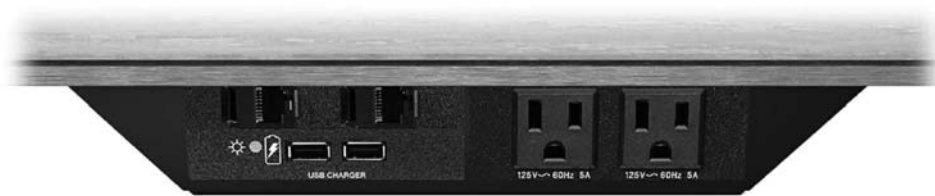
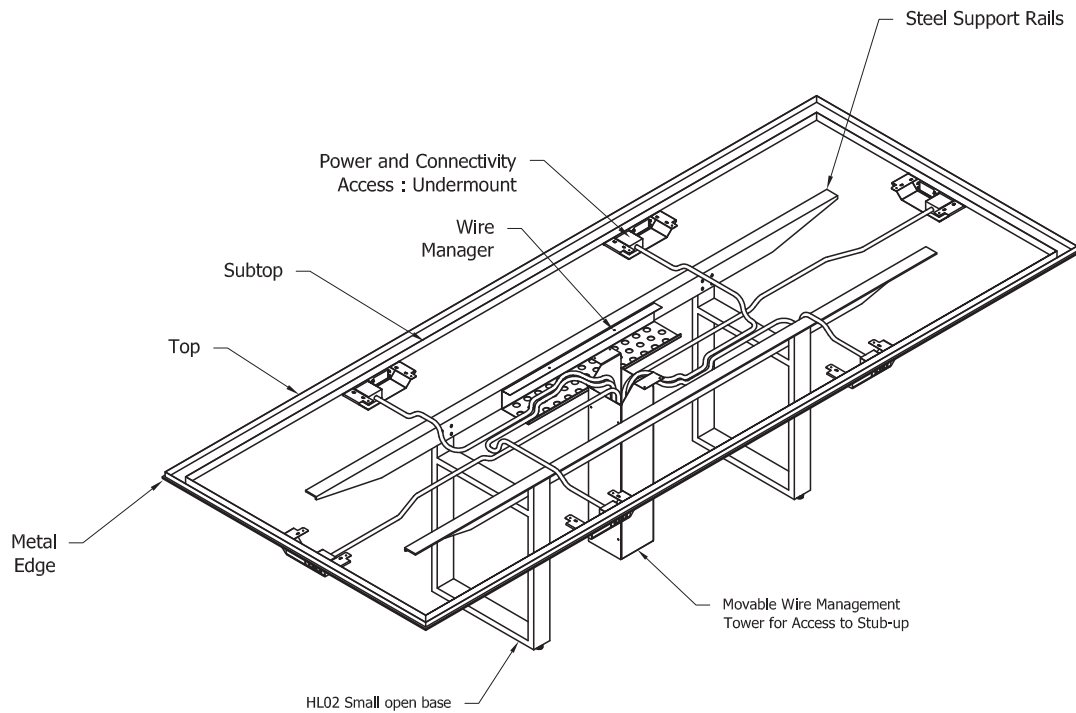
- AC Module Hardwired (HW)
- 3/8" diameter x 6' long metal clad cable with 6" pigtail
  - Additional knockouts for series wiring
  - 12A max per module



- AC Module Plug In (PI)
- 7.5' detachable soft cord
  - 6A max per module

# Highline Collection

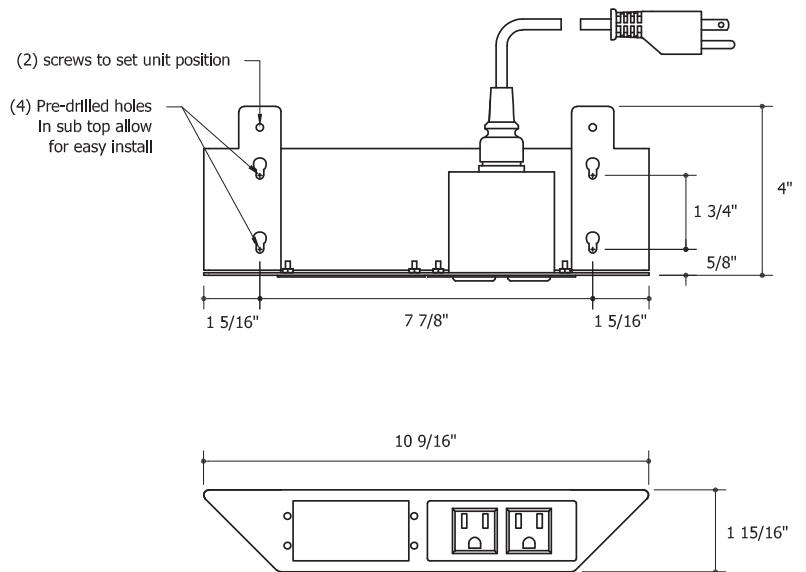
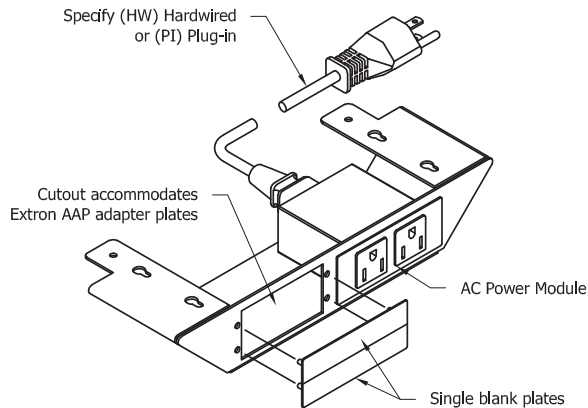
## Conference Tables Power & Connectivity Undermount



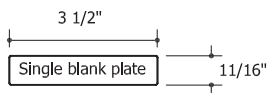
- Undermount access (shown populated)
- Provided with 1 AC power module - specify hardwired (HW) or plug in (PI), and 2 single space blank plates
  - For additional connectivity, replace blank plates with Extron single or double space AAP plates as desired. For more information see [extron.com](http://extron.com)

# Highline Collection

## Conference Tables Power & Connectivity Undermount



- Interior: Black powder coat metallic finish (MC12)
- Provided with 1 AC power module - specify hardwired (HW) or plug in (PI), and 2 single space blank plates
- For additional connectivity, replace blank plates with Extron single or double space AAP plates as desired. For more information see [extron.com](http://extron.com)



- AC Module Hardwired (HW)
- 3/8" diameter x 6' long metal-clad cable with 6" pigtail
  - Additional knockouts for series wiring
  - 12A max per module



- AC Module Plug In (PI)
- 7.5' detachable soft cord
  - 6A max per module