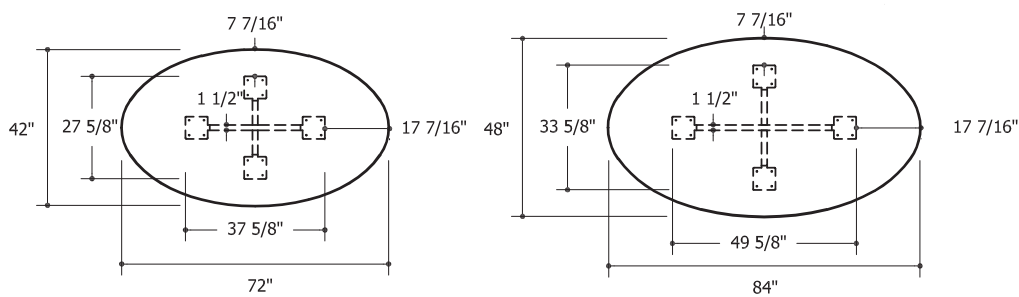
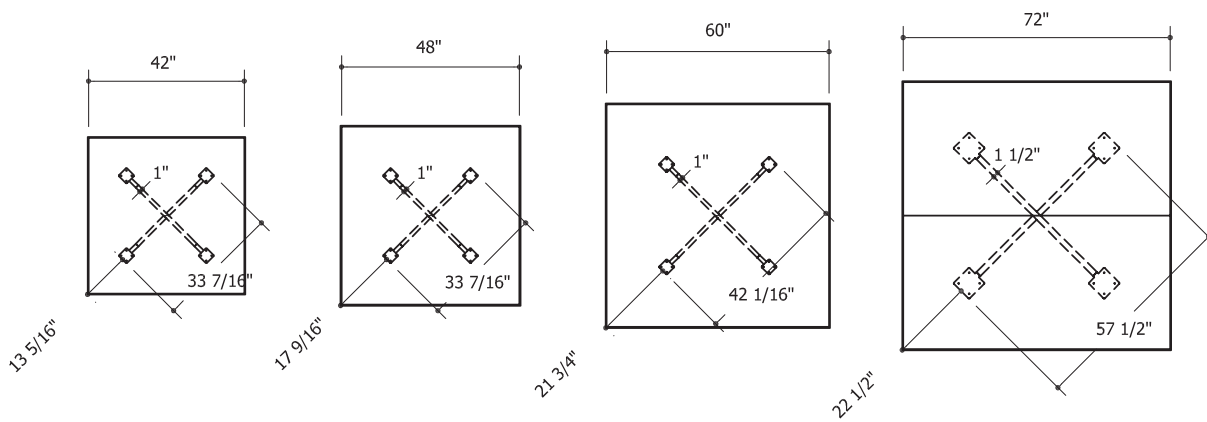
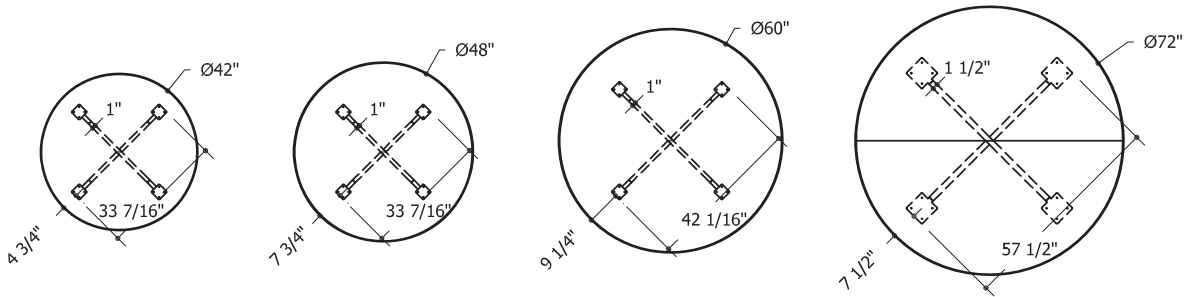
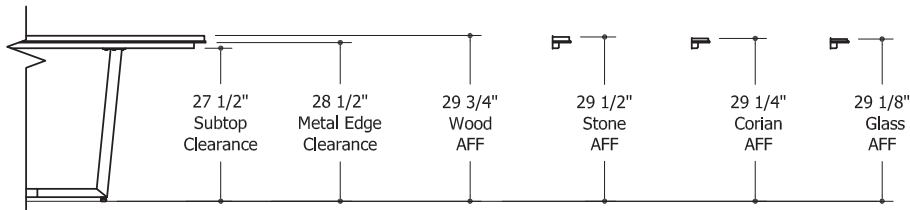


# Highline Collection

## Meeting Tables

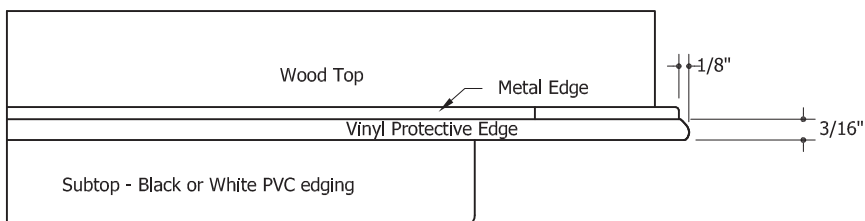
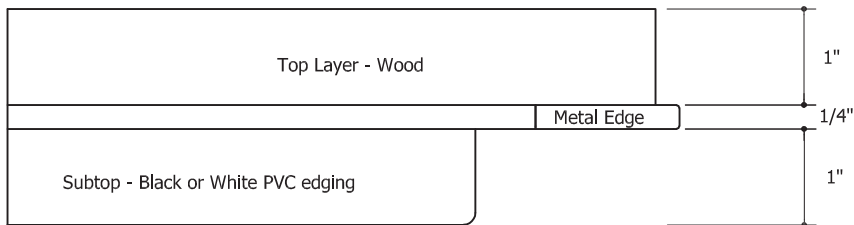
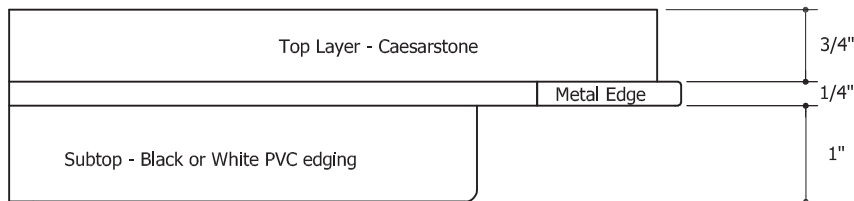
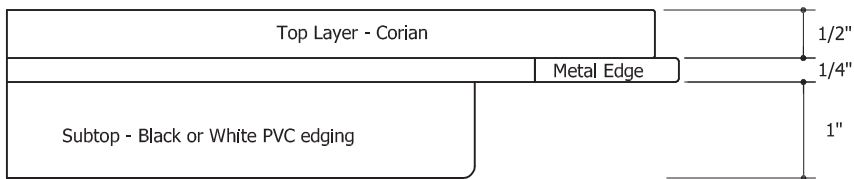
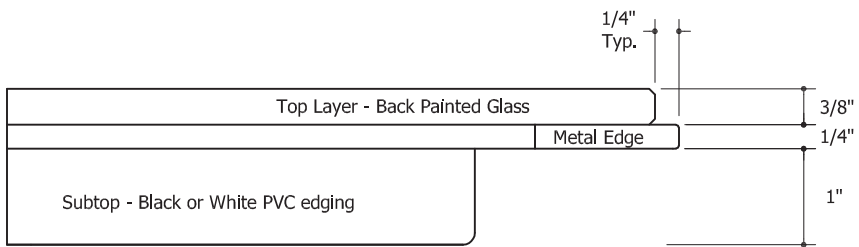
### Overall Elevations and Clearance



# Highline Collection

## Meeting Tables

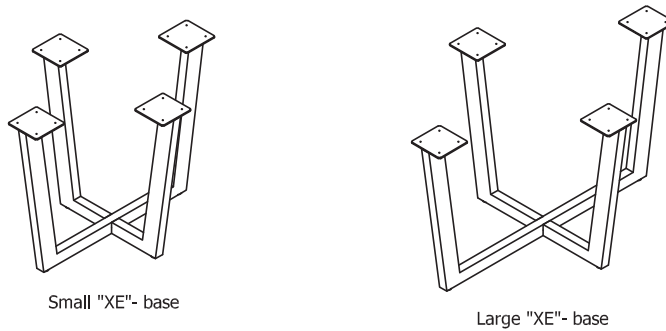
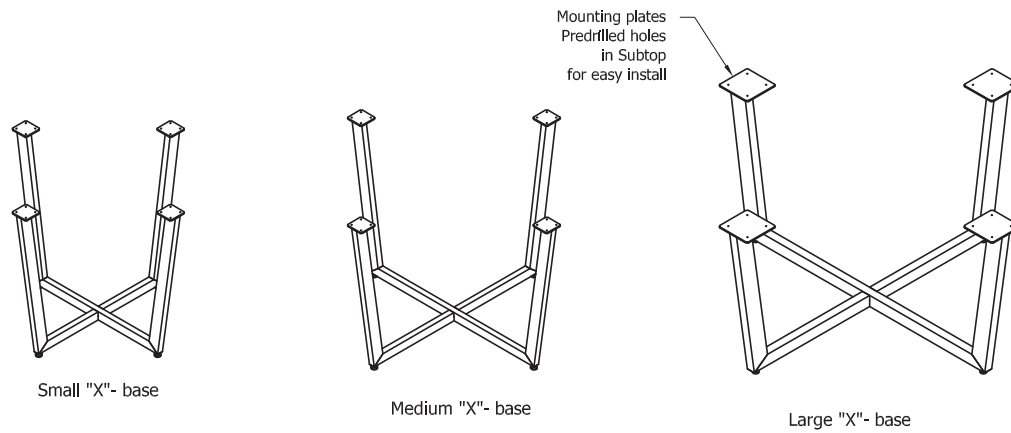
### Top Construction



# Highline Collection

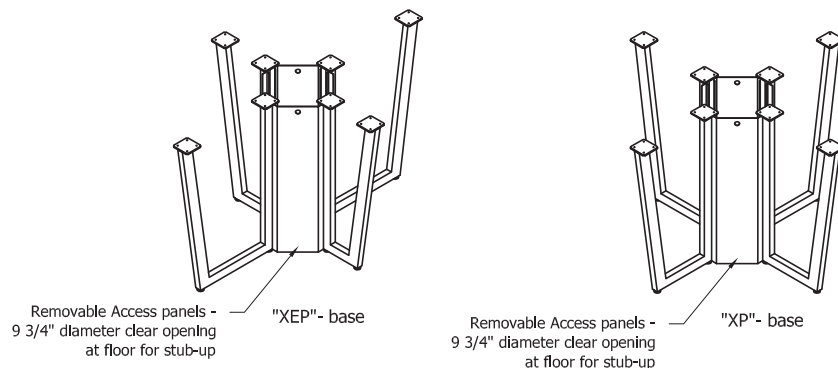
## Meeting Tables

### Base Construction



#### Construction

- Tubular steel "X" base
- Small "X" base: 42" / 48" Round and Square meeting tables
- Medium "X" base: 60" Round and Square meeting tables
- Large "X" base: 72" Round and Square meeting tables
- Small "XE" base: 42" Elliptical meeting tables
- Large "XE" base: 48" Elliptical meeting tables



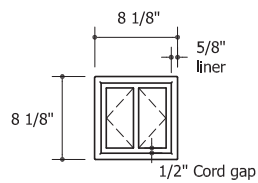
- "XP" Wire Management base is automatically included when power and connectivity are specified on Square and Round meeting tables
- "XEP" Wire Management base is automatically included used when power and connectivity are specified on Elliptical meeting tables

# Highline Collection

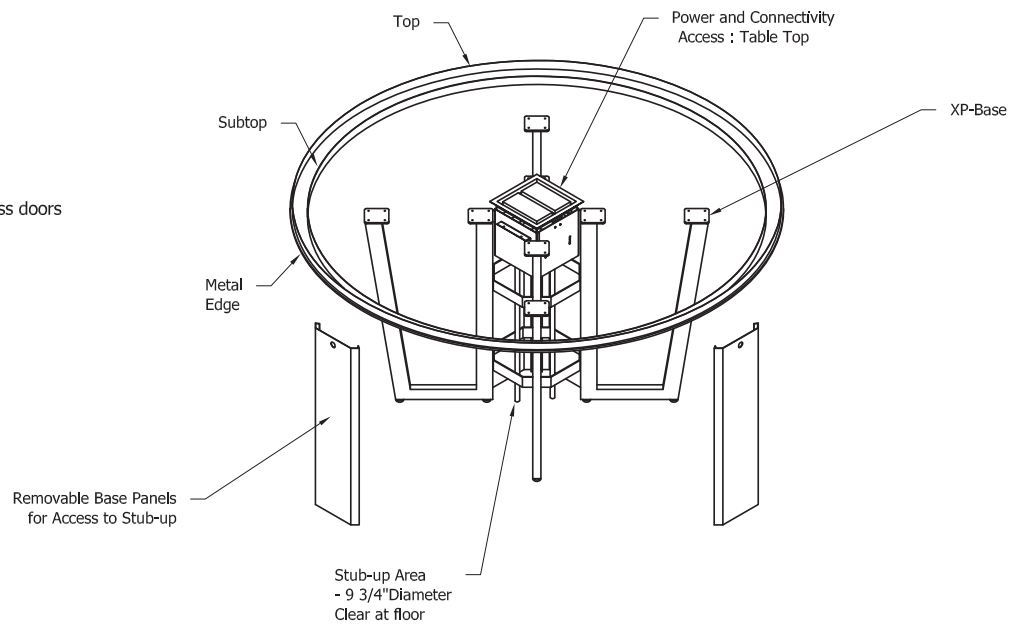
## Meeting Tables

### Power & Connectivity

#### Table Top



Metal Trim Liner with Matching Metal Access doors



Meeting Table Top access (shown populated)

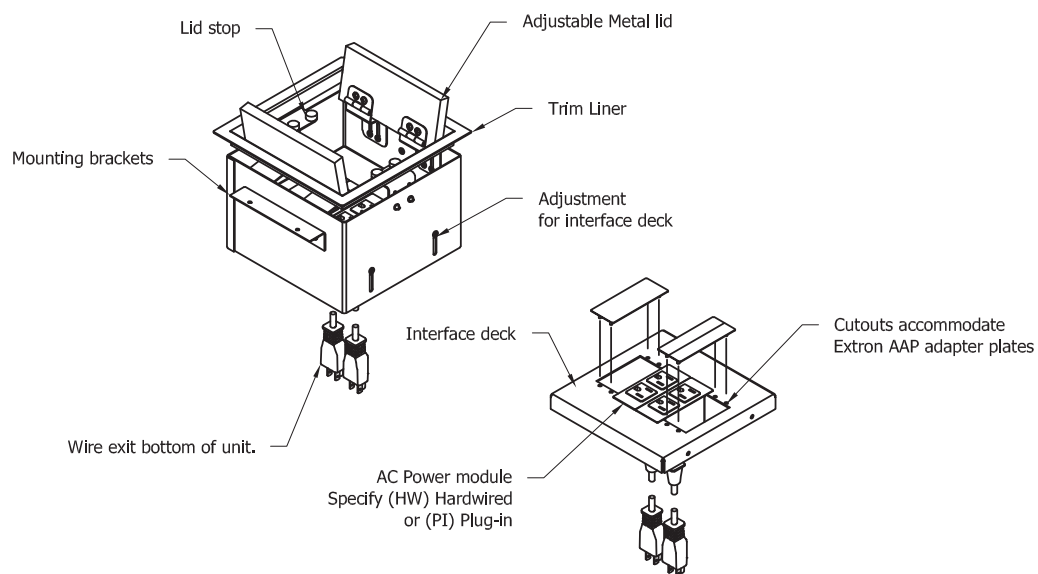
- Provided with 2 AC power modules - specify hardwired (HW) or plug in (PI), 1 double and 2 single space blank plates
- For additional connectivity, replace blank plates with Extron single or double space AAP plates as desired. For more information see [extron.com](http://extron.com)

# Highline Collection

## Meeting Tables

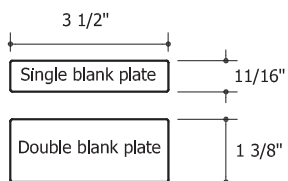
### Power & Connectivity

#### Table Top



#### Meeting Table Top access

- Provided with 2 AC power modules - specify hardwired (HW) or plug in (PI), 1 double and 2 single space blank plates
- For additional connectivity replace blank plates with Extron single or double space AAP plates as desired. For more information see [extron.com](http://extron.com)



- AC Module Hardwired (HW)
- 3/8" diameter x 6' long metal-clad cable with 6" pigtail
- Additional knockouts for series wiring
- 12A max per module



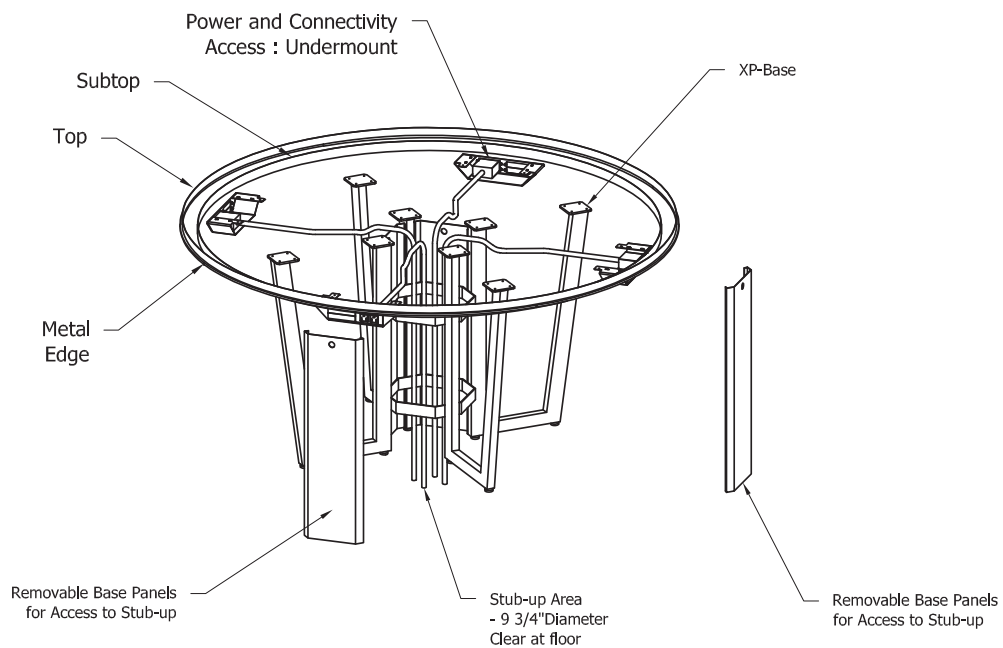
- AC Module Plug In (PI)
- 7.5' detachable soft cord
- 6A max per module

# Highline Collection

## Meeting Tables

### Power & Connectivity

#### Undermount



Undermount access (shown populated)

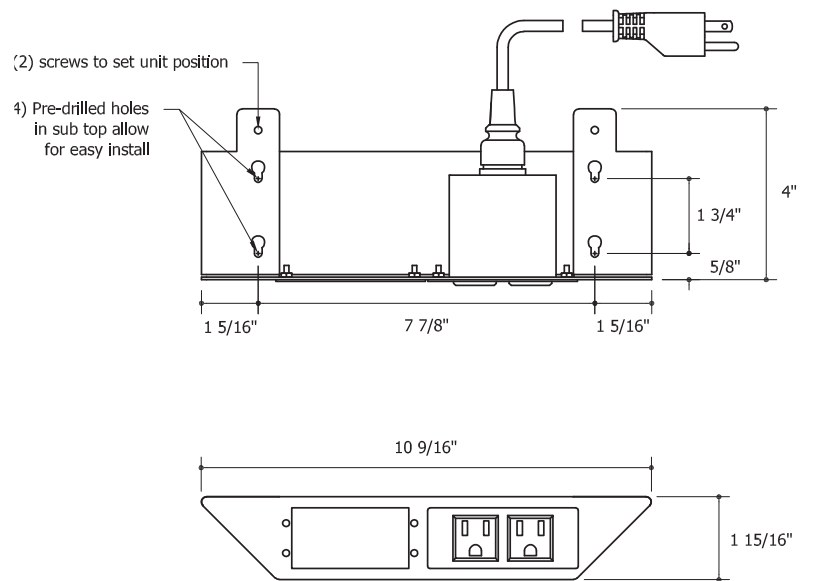
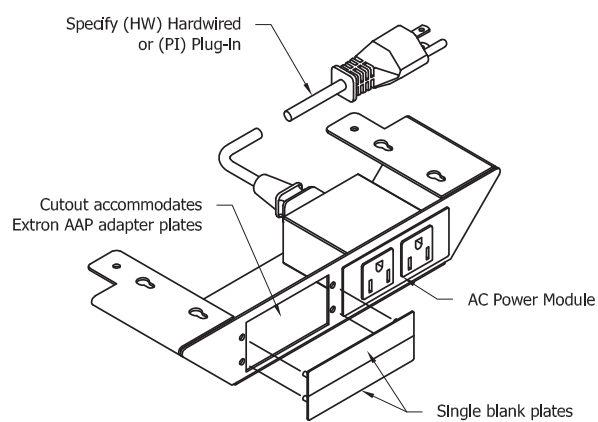
- Interior: Black powder coat metallic finish (MC12)
- Provided with 1 AC power module - specify hardwired (HW) or plug in (PI), and 2 single space blank plates
- For additional connectivity, replace blank plates with Extron single or double space AAP plates as desired. For more information see [extron.com](http://extron.com)

# Highline Collection

## Meeting Tables

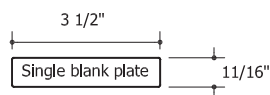
### Power & Connectivity

#### Undermount



#### Undermount Access

- Interior: Black powder coat metallic finish (MC12)
- Provided with 1 AC power module - specify hardwired (HW) or plug in (PI), and 2 single space blank plates
- For additional connectivity, replace blank plates with Extron single or double space AAP plates as desired. For more information see [extron.com](http://extron.com)



- AC Module Hardwired (HW)
- 3/8" diameter x 6' long metal-clad cable with 6" pigtail
  - Additional knockouts for series wiring
  - 12A max per module



- AC Module Plug In (PI)
- 7.5' detachable soft cord
  - 6A max per module