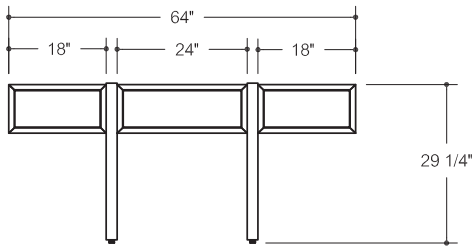
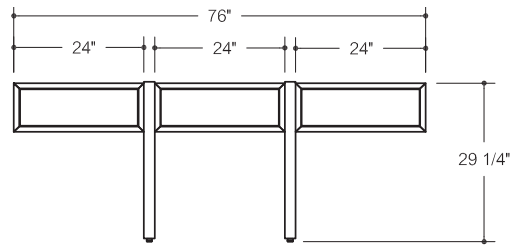


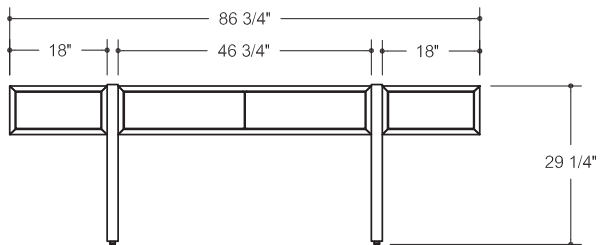
Highline Credenzas Index



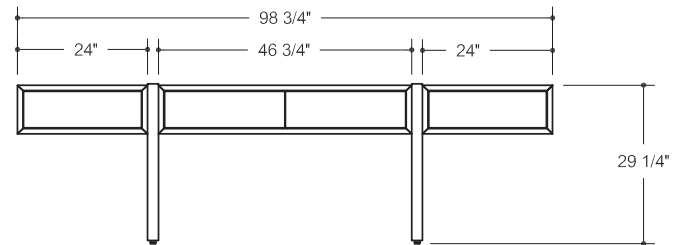
O2C1H64



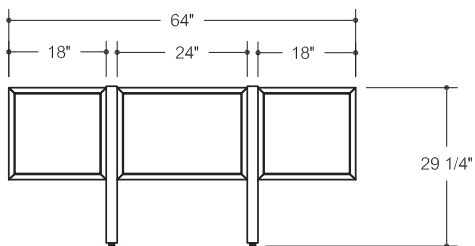
O2C1H76



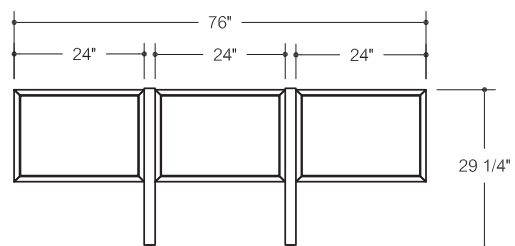
O2C1H87



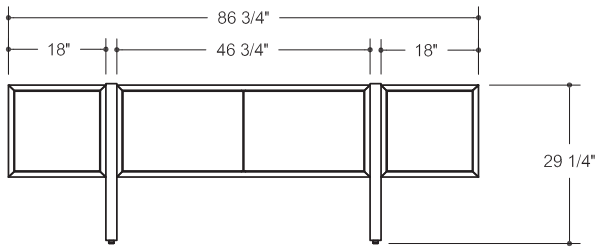
O2C1H99



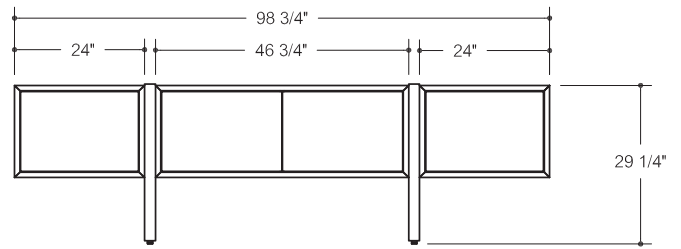
O2C2H64



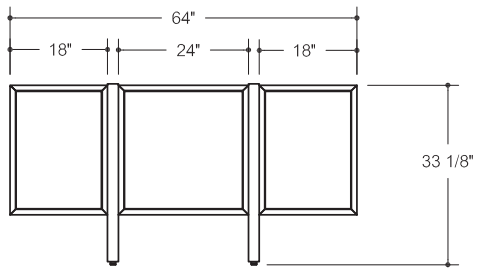
O2C2H76



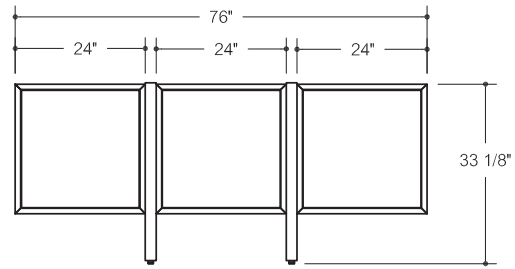
02C2H87



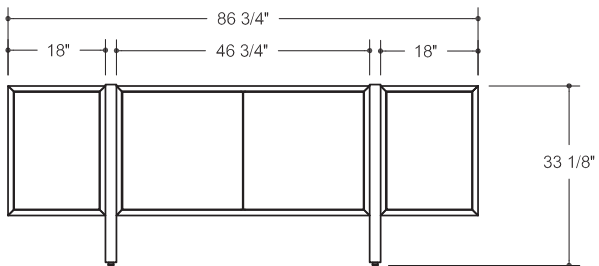
02C2H99



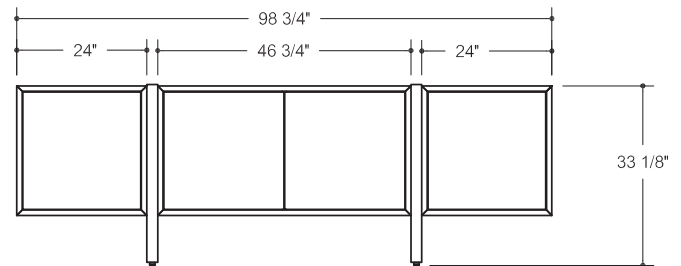
02C3H64



02C3H76



02C3H87

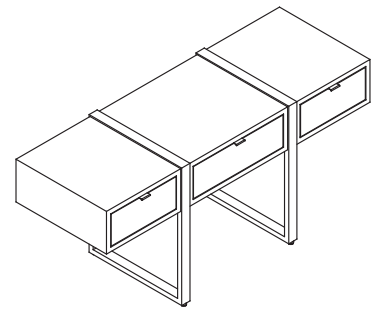


02C3H99

1H Highline Credenza

64" Long

02C1H64



Starting Price: **\$7,993**

64" 1 High credenza, all open, satin lacquer, powder coat legs

Pattern Number: 02C1H64

Step 1. Top Material

NT	No Top
FG	Full Glass
SG	3 Section
CG	Center Section only

Step 2. Top Finish

		SECTION TOP	CENTER TOP	FULL TOP
GC00	Clear Glass	N/A	N/A	+886
GC01	Clear Glass back painted, white	+876	+354	N/A
GC __	Clear Glass back painted, color	+974	+394	N/A
GE01	Etched Glass back painted, white	+1,181	+483	N/A
GE __	Etched Glass back painted, color	+1,313	+536	N/A
CS01	Corian Glacier white	+1,629	+661	N/A
QS __	Caesarstone	+2,273	+924	N/A

Step 3. Case Finish

SL __	Satin Lacquer	+0
T1	Veneer Tier 1	+1,043
T2	Veneer Tier 2	+2,038
T3	Veneer Tier 3	+3,222
HG __	High Gloss Polyester	+3,414

Step 4. Leg Finish

MC __	Powder Coat	+0
PM01	Polished Chrome	+214
PM02	Satin Nickel	+214
PM03	Oil Rubbed Bronze	+214

Step 5. Door/Drawer Face Finish

SL __	Satin Lacquer	+0
T1 __	Veneer Tier 1	+348
T2 __	Veneer Tier 2	+679
T3 __	Veneer Tier 3	+1,074
HG __	High Gloss Polyester	+1,138

Step 6. Configuration (3 positions - Left/Center/Right)

Specify Left to Right: Select case configurations for 3 available positions.

1 __ 18	Left
1 __ 24	Center
1 __ 18	Right

LEFT

1OP18	Open	+0
1DW18	Drawer	+519

CENTER

1OP24	Open	+0
1DW24	Drawers	+519

RIGHT

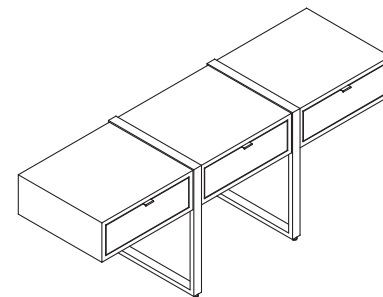
1OP18	Open	+0
1DW18	Drawer	+519

Please consult [page 7](#) for the palette of DatesWeiser finishes. Natural stone, non-standard glass and veneer, and other technology options are available. Please email customerservice@datesweiser.com for a custom quote. Consult technical information on [page 295](#) for construction and technical details.

1H Highline Credenza

76" Long

02C1H76



Starting Price: **\$8,518**

76" 1 High credenza, all open, satin lacquer, powder coat legs

Pattern Number: 02C1H76

Step 1. Top Material

NT	No Top
FG	Full Glass
SG	3 Section
CG	Center Section only

Step 2. Top Finish

		SECTION TOP	CENTER TOP	FULL TOP
GC00	Clear Glass	N/A	N/A	+1,054
GC01	Clear Glass back painted, white	+1,064	+354	N/A
GC __	Clear Glass back painted, color	+1,181	+394	N/A
GE01	Etched Glass back painted, white	+1,448	+483	N/A
GE __	Etched Glass back painted, color	+1,608	+536	N/A
CS01	Corian Glacier white	+1,984	+661	N/A
QS __	Caesarstone	+2,773	+924	N/A

Step 3. Case Finish

SL __	Satin Lacquer	+0
T1	Veneer Tier 1	+1,188
T2	Veneer Tier 2	+2,323
T3	Veneer Tier 3	+3,696
HG __	High Gloss Polyester	+3,912

Step 4. Leg Finish

MC __	Powder Coat	+0
PM01	Polished Chrome	+214
PM02	Satin Nickel	+214
PM03	Oil Rubbed Bronze	+214

Step 5. Door/Drawer Face Finish

SL __	Satin Lacquer	+0
T1 __	Veneer Tier 1	+396
T2 __	Veneer Tier 2	+775
T3 __	Veneer Tier 3	+1,232
HG __	High Gloss Polyester	+1,304

Step 6. Configuration (3 positions - Left/Center/Right)

Specify Left to Right: Select case configurations for 3 available positions

1 __ 24	Left
1 __ 24	Center
1 __ 24	Right

LEFT

10P24	Open	+0
1DW24	Drawers	+ 519

CENTER

10P24	Open	+0
1DW24	Drawers	+ 519

RIGHT

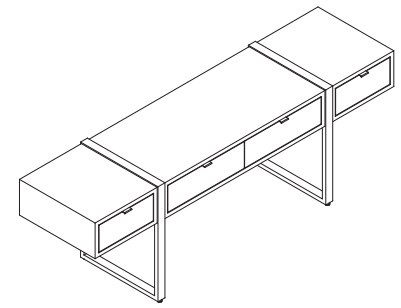
10P24	Open	+0
1DW24	Drawers	+ 519

Please consult [page 7](#) for the palette of DatesWeiser finishes. Natural stone, non-standard glass and veneer, and other technology options are available. Please email customerservice@datesweiser.com for a custom quote. Consult technical information on [page 295](#) for construction and technical details.

1H Highline Credenza

87" Long

02C1H87



Starting Price: **\$9,481**

87" 1 High credenza, all open, satin lacquer, powder coat legs

Pattern Number: 02C1H87

Step 1. Top Material

NT	No Top
FG	Full Glass
SG	3 Section
CG	Center Section only

Step 2. Top Finish

		SECTION TOP	CENTER TOP	FULL TOP
GC00	Clear Glass	N/A	N/A	+1,202
GC01	Clear Glass back painted, white	+1,241	+719	N/A
GC __	Clear Glass back painted, color	+1,379	+799	N/A
GE01	Etched Glass back painted, white	+1,680	+980	N/A
GE __	Etched Glass back painted, color	+1,866	+1,089	N/A
CS01	Corian Glacier white	+2,307	+1,340	N/A
QS __	Caesarstone	+3,228	+1,880	N/A

Step 3. Case Finish

SL __	Satin Lacquer	+0
T1	Veneer Tier 1	+1,320
T2	Veneer Tier 2	+2,588
T3	Veneer Tier 3	+4,117
HG __	High Gloss Polyester	+4,358

Step 4. Leg Finish

MC __	Powder Coat	+0
PM01	Polished Chrome	+214
PM02	Satin Nickel	+214
PM03	Oil Rubbed Bronze	+214

Step 5. Door/Drawer Face Finish

SL __	Satin Lacquer	+0
T1 __	Veneer Tier 1	+440
T2 __	Veneer Tier 2	+862
T3 __	Veneer Tier 3	+1,373
HG __	High Gloss Polyester	+1,453

Step 6. Configuration (3 positions - Left/Center/Right)

Specify Left to Right: Select case configurations for 3 available positions

1 __ 18	Left
1 __ 46	Center
1 __ 18	Right

LEFT

1OP18	Open	+ 0
1DW18	Drawers	+ 519

CENTER

1OP18	Open	+ 0
1DW46	Drawers	+1,050

RIGHT

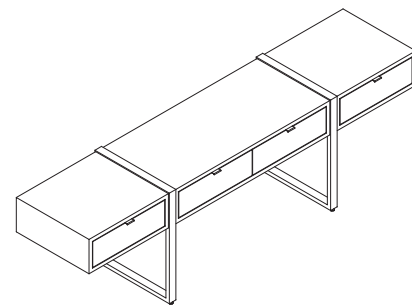
1OP18	Open	+ 0
1DW18	Drawers	+ 519

Please consult [page 7](#) for the palette of DatesWeiser finishes. Natural stone, non-standard glass and veneer, and other technology options are available. Please email customerservice@datesweiser.com for a custom quote. Consult technical information on [page 295](#) for construction and technical details.

1H Highline Credenza

99" Long

02C1H99



Starting Price: **\$10,252**

99" 1 High credenza, all open, satin lacquer, powder coat legs

Pattern Number: 02C1H99

Step 1. Top Material

NT	No Top
FG	Full Glass
SG	3 Section
CG	Center Section only

Step 2. Top Finish

		SECTION TOP	CENTER TOP	FULL TOP
GC00	Clear Glass	N/A	N/A	+1,370
GC01	Clear Glass back painted, white	+1,428	+719	N/A
GC __	Clear Glass back painted, color	+1,587	+799	N/A
GE01	Etched Glass back painted, white	+1,945	+980	N/A
GE __	Etched Glass back painted, color	+2,161	+1,089	N/A
CS01	Corian Glacier white	+2,662	+1,340	N/A
QS __	Caesarstone	+3,729	+1,880	N/A

Step 3. Case Finish

SL __	Satin Lacquer	+0
T1	Veneer Tier 1	+1,461
T2	Veneer Tier 2	+2,873
T3	Veneer Tier 3	+4,586
HG __	High Gloss Polyester	+4,849

Step 4. Leg Finish

MC __	Powder Coat	+0
PM01	Polished Chrome	+214
PM02	Satin Nickel	+214
PM03	Oil Rubbed Bronze	+214

Step 5. Door/Drawer Face Finish

SL __	Satin Lacquer	+0
T1 __	Veneer Tier 1	+487
T2 __	Veneer Tier 2	+958
T3 __	Veneer Tier 3	+1,529
HG __	High Gloss Polyester	+1,620

Step 6. Configuration (3 positions - Left/Center/Right)

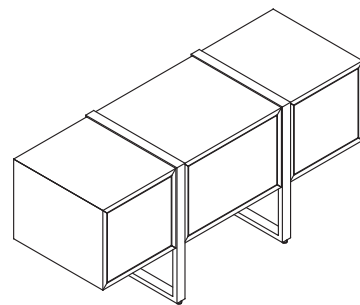
Specify Left to Right: Select case configurations for 3 available positions

1 __ 24	Left	
1 __ 46	Center	
1 __ 24	Right	
LEFT		
10P24	Open	+ 0
1DW24	Drawer	+ 519
CENTER		
10P46	Open	+0
1DW46	Drawers	+1050
RIGHT		
10P24	Open	+ 0
1DW24	Drawer	+ 519

Please consult [page 7](#) for the palette of DatesWeiser finishes. Natural stone, non-standard glass and veneer, and other technology options are available. Please email customerservice@datesweiser.com for a custom quote. Consult technical information on [page 295](#) for construction and technical details.

2H Highline Credenza

64" Long
02C2H64



Starting Price: **\$10,069**

64" 2 High credenza, all doors, satin lacquer, powder coat legs

Pattern Number: 02C2H64

Step 1. Top Material

NT	No Top
FG	Full Glass
SG	3 Section
CG	Center Section only

Step 2. Top Finish

		SECTION TOP	CENTER TOP	FULL TOP
GC00	Clear Glass	N/A	N/A	+886
GC01	Clear Glass back painted, white	+876	+354	N/A
GC __	Clear Glass back painted, color	+974	+394	N/A
GE01	Etched Glass back painted, white	+1,181	+483	N/A
GE __	Etched Glass back painted, color	+1,313	+536	N/A
CS01	Corian Glacier white	+1,629	+661	N/A
QS __	Caesarstone	+2,273	+924	N/A

Step 3. Case Finish

SL __	Satin Lacquer	+0
T1	Veneer Tier 1	+1,513
T2	Veneer Tier 2	+3,338
T3	Veneer Tier 3	+5,895
HG __	High Gloss Polyester	+6,276

Step 4. Leg Finish

MC __	Powder Coat	+0
PM01	Polished Chrome	+214
PM02	Satin Nickel	+214
PM03	Oil Rubbed Bronze	+214

Step 5. Door/Drawer Face Finish

SL __	Satin Lacquer	+0
T1 __	Veneer Tier 1	+504
T2 __	Veneer Tier 2	+1,113
T3 __	Veneer Tier 3	+1,965
HG __	High Gloss Polyester	+2,092

Step 6. Configuration (3 positions - Left/Center/Right)

Specify Left to Right: Select case configurations for 3 available positions

2 __ 18	Left
2 __ 24	Center
2 __ 18	Right

LEFT		
2DR18	Door	+ 0
2DW18	Drawers	+ 397
2OW18	Open over Drawer	+ 314
2TT18	Trash thru Top	+ 728

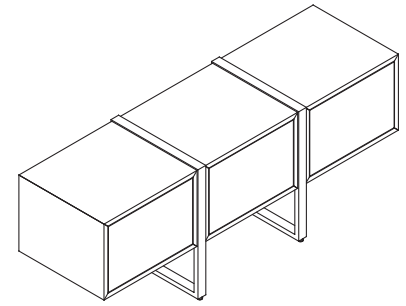
CENTER		
2DR24	Door	+0
2DW24	Drawers	+625
2OW24	Open over Drawer	+459

RIGHT		
2DR18	Door	+ 0
2DW18	Drawers	+ 397
2OW18	Open over Drawer	+ 314
2TT18	Trash thru Top	+ 728

Please consult [page 7](#) for the palette of DatesWeiser finishes. Natural stone, non-standard glass and veneer, and other technology options are available. Please email customerservice@datesweiser.com for a custom quote. Consult technical information on [page 295](#) for construction and technical details.

2H Highline Credenza

76" Long
O2C2H76



Starting Price: **\$10,675**

76" 2 High credenza, all doors, satin lacquer, powder coat legs

Pattern Number: O2C2H76

Step 1. Top Material

NT	No Top
FG	Full Glass
SG	3 Section
CG	Center Section only

Step 2. Top Finish

		SECTION TOP	CENTER TOP	FULL TOP
GC00	Clear Glass	N/A	N/A	+1,054
GC01	Clear Glass back painted, white	+1,064	+354	N/A
GC __	Clear Glass back painted, color	+1,181	+394	N/A
GE01	Etched Glass back painted, white	+1,448	+483	N/A
GE __	Etched Glass back painted, color	+1,608	+536	N/A
CS01	Corian Glacier white	+1,984	+661	N/A
QS __	Caesarstone	+2,773	+924	N/A

Step 3. Case Finish

SL __	Satin Lacquer	+0
T1	Veneer Tier 1	+1,662
T2	Veneer Tier 2	+3,687
T3	Veneer Tier 3	+6,585
HG __	High Gloss Polyester	+7,014

Step 4. Leg Finish

MC __	Powder Coat	+0
PM01	Polished Chrome	+214
PM02	Satin Nickel	+214
PM03	Oil Rubbed Bronze	+214

Step 5. Door/Drawer Face Finish

SL __	Satin Lacquer	+0
T1 __	Veneer Tier 1	+554
T2 __	Veneer Tier 2	+1,229
T3 __	Veneer Tier 3	+2,195
HG __	High Gloss Polyester	+2,338

Step 6. Configuration (3 positions - Left/Center/Right)

Specify Left to Right: Select case configurations for 3 available positions

2 __ 24	Left
2 __ 24	Center
2 __ 24	Right

LEFT

2DR24	Door	+ 0
2DW24	Drawers	+ 625
2OW24	Open over Drawer	+ 459
2TT24	Trash thru Top	+721

CENTER

2DR24	Door	+ 0
2DW24	Drawers	+ 625
2OW24	Open over Drawer	+ 459

RIGHT

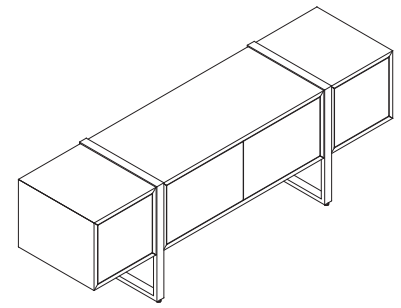
2DR24	Door	+ 0
2DW24	Drawers	+ 625
2OW24	Open over Drawer	+ 459
2TT24	Trash thru Top	+721

Please consult [page 7](#) for the palette of DatesWeiser finishes. Natural stone, non-standard glass and veneer, and other technology options are available. Please email customerservice@datesweiser.com for a custom quote. Consult technical information on [page 295](#) for construction and technical details.

2H Highline Credenza

87" Long

02C2H87



Starting Price: **\$12,033**

87" 2 High credenza, all doors, satin lacquer, powder coat legs

Pattern Number: 02C2H87

Step 1. Top Material

NT	No Top
FG	Full Glass
SG	3 Section
CG	Center Section only

Step 2. Top Finish

		SECTION TOP	CENTER TOP	FULL TOP
GC00	Clear Glass	N/A	N/A	+1,202
GC01	Clear Glass back painted, white	+1,241	+719	N/A
GC __	Clear Glass back painted, color	+1,379	+799	N/A
GE01	Etched Glass back painted, white	+1,680	+980	N/A
GE __	Etched Glass back painted, color	+1,866	+1,089	N/A
CS01	Corian Glacier white	+2,307	+1,340	N/A
QS __	Caesarstone	+3,228	+1,880	N/A

Step 3. Case Finish

SL __	Satin Lacquer	+0
T1	Veneer Tier 1	+1,854
T2	Veneer Tier 2	+4,081
T3	Veneer Tier 3	+7,215
HG __	High Gloss Polyester	+7,680

Step 4. Leg Finish

MC __	Powder Coat	+0
PM01	Polished Chrome	+214
PM02	Satin Nickel	+214
PM03	Oil Rubbed Bronze	+214

Step 5. Door/Drawer Face Finish

SL __	Satin Lacquer	+0
T1 __	Veneer Tier 1	+618
T2 __	Veneer Tier 2	+1,360
T3 __	Veneer Tier 3	+2,405
HG __	High Gloss Polyester	+2,561

Step 6. Configuration (3 positions - Left/Center/Right)

Specify Left to Right: Select case configurations for 3 available positions

2 __ 18	Left
2 __ 46	Center
2 __ 18	Right

LEFT

2DR18	Door	+ 0
2DW18	Drawers	+ 397
2OW18	Open over Drawer	+ 314
2TT18	Trash thru Top	+728

CENTER

2DR46	Doors	+0
2DW46	Drawers	+978
2OW46	Open over Drawers	+640

RIGHT

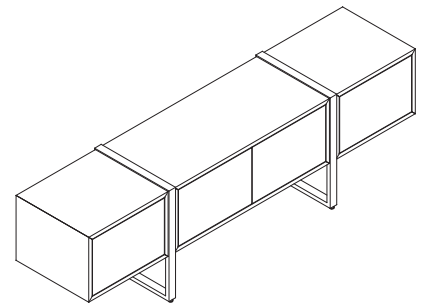
2DR18	Door	+ 0
2DW18	Drawers	+ 397
2OW18	Open over Drawer	+ 314
2TT18	Trash thru Top	+728

Please consult [page 7](#) for the palette of DatesWeiser finishes. Natural stone, non-standard glass and veneer, and other technology options are available. Please email customerservice@datesweiser.com for a custom quote. Consult technical information on [page 295](#) for construction and technical details.

2H Highline Credenza

99" Long

02C2H99



Starting Price: **\$12,779**

99" 2 High credenza, all doors, satin lacquer, powder coat legs

Pattern Number: 02C2H99

Step 1. Top Material

NT	No Top
FG	Full Glass
SG	3 Section
CG	Center Section only

Step 2. Top Finish

		SECTION TOP	CENTER TOP	FULL TOP
GC00	Clear Glass	N/A	N/A	+1,370
GC01	Clear Glass back painted, white	+1,428	+719	N/A
GC __	Clear Glass back painted, color	+1,587	+799	N/A
GE01	Etched Glass back painted, white	+1,945	+980	N/A
GE __	Etched Glass back painted, color	+2,161	+1089	N/A
CS01	Corian Glacier white	+2,662	+1,340	N/A
QS __	Caesarstone	+3,729	+1,880	N/A

Step 3. Case Finish

SL __	Satin Lacquer	+0
T1	Veneer Tier 1	+2,043
T2	Veneer Tier 2	+4,474
T3	Veneer Tier 3	+7,908
HG __	High Gloss Polyester	+8,419

Step 4. Leg Finish

MC __	Powder Coat	+0
PM01	Polished Chrome	+214
PM02	Satin Nickel	+214
PM03	Oil Rubbed Bronze	+214

Step 5. Door/Drawer Face Finish

SL __	Satin Lacquer	+0
T1 __	Veneer Tier 1	+681
T2 __	Veneer Tier 2	+1,492
T3 __	Veneer Tier 3	+2,636
HG __	High Gloss Polyester	+2,807

Step 6. Configuration (3 positions - Left/Center/Right)

Specify Left to Right: Select case configurations for 3 available positions

2 __ 24	Left
2 __ 46	Center
2 __ 24	Right

LEFT

2DR24	Door	+ 0
2DW24	Drawers	+ 625
2OW24	Open over Drawer	+459
2TT24	Trash thru Top	+721

CENTER

2DR46	Doors	+0
2DW46	Drawers	+978
2OW46	Open over Drawers	+640

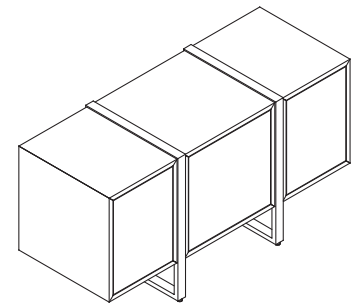
RIGHT

2DR24	Door	+ 0
2DW24	Drawers	+ 625
2OW24	Open over Drawer	+459
2TT24	Trash thru Top	+721

Please consult [page 7](#) for the palette of DatesWeiser finishes. Natural stone, non-standard glass and veneer, and other technology options are available. Please email customerservice@datesweiser.com for a custom quote. Consult technical information on [page 295](#) for construction and technical details.

3H Highline Credenza

64" Long
02C3H64



Starting Price: **\$11,046**

64" 3 High credenza, all doors, satin lacquer, powder coat legs

Pattern Number: 02C3H64

Step 1. Top Material

NT	No Top
FG	Full Glass
SG	3 Section
CG	Center Section only

Step 2. Top Finish

		SECTION TOP	CENTER TOP	FULL TOP
GC00	Clear Glass	N/A	N/A	+975
GC01	Clear Glass back painted, white	+958	+389	N/A
GC__	Clear Glass back painted, color	+1,064	+432	N/A
GE01	Etched Glass back painted, white	+1,303	+533	N/A
GE__	Etched Glass back painted, color	+1,448	+592	N/A
CS01	Corian Glacier white	+1,789	+725	N/A
QS__	Caesarstone	+2,507	+1,020	N/A

Step 3. Case Finish

SL__	Satin Lacquer	+0
T1	Veneer Tier 1	+1,882
T2	Veneer Tier 2	+4,358
T3	Veneer Tier 3	+8,018
HG__	High Gloss Polyester	+8,550

Step 4. Leg Finish

MC__	Powder Coat	+0
PM01	Polished Chrome	+214
PM02	Satin Nickel	+214
PM03	Oil Rubbed Bronze	+214

Step 5. Door/Drawer Face Finish

SL__	Satin Lacquer	+0
T1__	Veneer Tier 1	+627
T2__	Veneer Tier 2	+1,453
T3__	Veneer Tier 3	+2,673
HG__	High Gloss Polyester	+2,850

Step 6. Configuration (3 positions - Left/Center/Right)

Specify Left to Right: Select case configurations for 3 available positions

3__18	Left
3__24	Center
3__18	Right

LEFT

3DR18	Door	+ 0
3DW18	Drawers	+ 850
3OW18	Open over Drawer	+ 677
3OR18	Open over Door	+ 579
3TT18	Trash thru Top	+731
3TP18	Trash Pull-Out	+1,271
3AV18	AV Case	+406

CENTER

3DR24	Door	+0
3DW24	Drawers	+1,121
3OW24	Open over Drawer	+611
3OR24	Open over Door	+585
3TT24	Trash thru Top	+719
3TP24	Trash Pull-Out	+1,256
3AV24	AV Case	+395

RIGHT

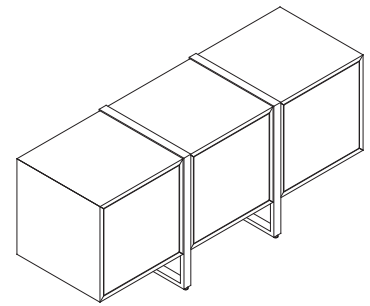
3DR18	Door	+ 0
3DW18	Drawers	+ 850
3OW18	Open over Drawer	+ 677
3OR18	Open over Door	+ 579
3TT18	Trash thru Top	+731
3TP18	Trash Pull-Out	+1,271
3AV18	AV Case	+406

Please consult [page 7](#) for the palette of DatesWeiser finishes. Natural stone, non-standard glass and veneer, and other technology options are available. Please email customerservice@datesweiser.com for a custom quote. Consult technical information on [page 295](#) for construction and technical details.

3H Highline Credenza

76" Long

02C3H76



Starting Price: **\$12,226**

76" 3 High credenza, all doors, satin lacquer, powder coat legs

Pattern Number: 02C3H76

Step 1. Top Material

NT	No Top
FG	Full Glass
SG	3 Section
CG	Center Section only

Step 2. Top Finish

		SECTION TOP	CENTER TOP	FULL TOP
GC00	Clear Glass	N/A	N/A	+1,145
GC01	Clear Glass back painted, white	+1,167	+389	N/A
GC __	Clear Glass back painted, color	+1,297	+432	N/A
GE01	Etched Glass back painted, white	+1,598	+533	N/A
GE __	Etched Glass back painted, color	+1,775	+592	N/A
CS01	Corian Glacier white	+2,176	+725	N/A
QS __	Caesarstone	+3,059	+1,020	N/A

Step 3. Case Finish

SL __	Satin Lacquer	+0
T1	Veneer Tier 1	+2,043
T2	Veneer Tier 2	+4,771
T3	Veneer Tier 3	+8,768
HG __	High Gloss Polyester	+9,353

Step 4. Leg Finish

MC __	Powder Coat	+0
PM01	Polished Chrome	+214
PM02	Satin Nickel	+214
PM03	Oil Rubbed Bronze	+214

Step 5. Door/Drawer Face Finish

SL __	Satin Lacquer	+0
T1 __	Veneer Tier 1	+681
T2 __	Veneer Tier 2	+1,590
T3 __	Veneer Tier 3	+2,922
HG __	High Gloss Polyester	+3,118

Step 6. Configuration (3 positions - Left/Center/Right)

Specify Left to Right: Select case configurations for 3 available positions

3 __ 24	Left
3 __ 24	Center
3 __ 24	Right

LEFT

3DR24	Door	+ 0
3DW24	Drawers	+ 1,121
3OW24	Open over Drawer	+ 611
3OR24	Open over Door	+ 585
3TT24	Trash thru Top	+719
3TP24	Trash Pull-Out	+1,256
3AV24	AV Case	+395

CENTER

3DR24	Door	+ 0
3DW24	Drawers	+ 1,121
3OW24	Open over Drawer	+ 611
3OR24	Open over Door	+ 585
3TT24	Trash thru Top	+719
3TP24	Trash Pull-Out	+1,256
3AV24	AV Case	+395

RIGHT

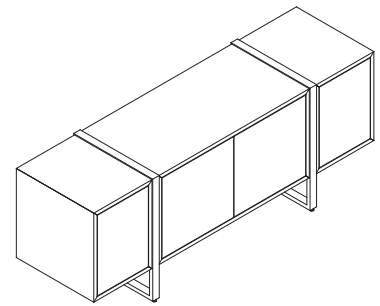
3DR24	Door	+ 0
3DW24	Drawers	+ 1,121
3OW24	Open over Drawer	+ 611
3OR24	Open over Door	+ 585
3TT24	Trash thru Top	+719
3TP24	Trash Pull-Out	+1,256
3AV24	AV Case	+395

Please consult [page 7](#) for the palette of DatesWeiser finishes. Natural stone, non-standard glass and veneer, and other technology options are available. Please email customerservice@datesweiser.com for a custom quote. Consult technical information on [page 295](#) for construction and technical details.

3H Highline Credenza

87" Long

02C3H87



Starting Price: **\$13,102**

87" 3 High credenza, all doors, satin lacquer, powder coat legs

Pattern Number: 02C3H87

Step 1. Top Material

NT	No Top
FG	Full Glass
SG	3 Section
CG	Center Section only

Step 2. Top Finish

		SECTION TOP	CENTER TOP	FULL TOP
GC00	Clear Glass	N/A	N/A	+1,310
GC01	Clear Glass back painted, white	+1,362	+794	N/A
GC __	Clear Glass back painted, color	+1,513	+882	N/A
GE01	Etched Glass back painted, white	+1,848	+1,077	N/A
GE __	Etched Glass back painted, color	+2,053	+1,197	N/A
CS01	Corian Glacier white	+2,541	+1,478	N/A
QS __	Caesarstone	+3,557	+2,069	N/A

Step 3. Case Finish

SL __	Satin Lacquer	+0
T1	Veneer Tier 1	+2,327
T2	Veneer Tier 2	+5,285
T3	Veneer Tier 3	+9,646
HG __	High Gloss Polyester	+10,284

Step 4. Leg Finish

MC __	Powder Coat	+0
PM01	Polished Chrome	+214
PM02	Satin Nickel	+214
PM03	Oil Rubbed Bronze	+214

Step 5. Door/Drawer Face Finish

SL __	Satin Lacquer	+0
T1 __	Veneer Tier 1	+776
T2 __	Veneer Tier 2	+1,761
T3 __	Veneer Tier 3	+3,215
HG __	High Gloss Polyester	+3,428

Step 6. Configuration (3 positions - Left/Center/Right)

Specify Left to Right: Select case configurations for 3 available positions

3 __ 18	Left
3 __ 46	Center
3 __ 18	Right

LEFT

3DR18	Door	+ 0
3DW18	Drawers	+ 850
3OW18	Open over Drawer	+ 677
3OR18	Open over Door	+ 579
3TT18	Trash thru Top	+731
3TP18	Trash Pull-Out	+1,271
3AV18	AV Case	+406

CENTER

3DR46	Doors	+0
3DW46	Drawers	+1,398
3OW46	Open over Drawers	+1,079
3OR46	Open over Doors	+325
3AV46	AV Case	+56

RIGHT

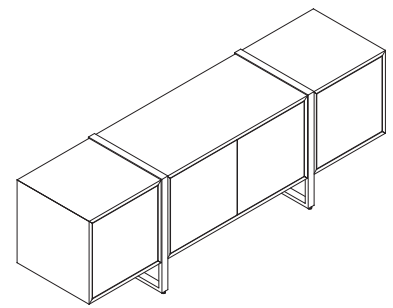
3DR18	Door	+ 0
3DW18	Drawers	+ 850
3OW18	Open over Drawer	+ 677
3OR18	Open over Door	+ 579
3TT18	Trash thru Top	+731
3TP18	Trash Pull-Out	+1,271
3AV18	AV Case	+406

Please consult [page 7](#) for the palette of DatesWeiser finishes. Natural stone, non-standard glass and veneer, and other technology options are available. Please email customerservice@datesweiser.com for a custom quote. Consult technical information on [page 295](#) for construction and technical details.

3H Highline Credenza

99" Long

02C3H99



Starting Price: **\$14,686**

99" 3 High credenza, all doors, satin lacquer, powder coat legs

Pattern Number: 02C3H99

Step 1. Top Material

NT	No Top
FG	Full Glass
SG	3 Section
CG	Center Section only

Step 2. Top Finish

		SECTION TOP	CENTER TOP	FULL TOP
GC00	Clear Glass	N/A	N/A	+1,491
GC01	Clear Glass back painted, white	+1,572	+794	N/A
GC __	Clear Glass back painted, color	+1,746	+882	N/A
GE01	Etched Glass back painted, white	+2,143	+1,077	N/A
GE __	Etched Glass back painted, color	+2,381	+1,197	N/A
CS01	Corian Glacier white	+2,929	+1,478	N/A
QS __	Caesarstone	+4,109	+2,069	N/A

Step 3. Case Finish

SL __	Satin Lacquer	+0
T1	Veneer Tier 1	+2,997
T2	Veneer Tier 2	+6,227
T3	Veneer Tier 3	+11,054
HG __	High Gloss Polyester	+11,757

Step 4. Leg Finish

MC __	Powder Coat	+0
PM01	Polished Chrome	+214
PM02	Satin Nickel	+214
PM03	Oil Rubbed Bronze	+214

Step 5. Door/Drawer Face Finish

SL __	Satin Lacquer	+0
T1 __	Veneer Tier 1	+999
T2 __	Veneer Tier 2	+2,076
T3 __	Veneer Tier 3	+3,685
HG __	High Gloss Polyester	+3,919

Step 6. Configuration (3 positions - Left/Center/Right)

Specify Left to Right: Select case configurations for 3 available positions

3 __ 24	Left
3 __ 46	Center
3 __ 24	Right

LEFT

3DR24	Door	+0
3DW24	Drawers	+1,121
3OW24	Open over Drawer	+611
3OR24	Open over Door	+585
3TT24	Trash thru Top	+719
3TP24	Trash Pull-Out	+1,256
3AV24	AV Case	+395

CENTER

3DR46	Doors	+0
3DW46	Drawers	+1,398
3OW46	Open over Drawers	+1,079
3OR46	Open over Doors	+325
3AV46	AV Case	+56

RIGHT

3DR24	Door	+0
3DW24	Drawers	+1,121
3OW24	Open over Drawer	+611
3OR24	Open over Door	+585
3TT24	Trash thru Top	+719
3TP24	Trash Pull-Out	+1,256
3AV24	AV Case	+395

Please consult [page 7](#) for the palette of DatesWeiser finishes. Natural stone, non-standard glass and veneer, and other technology options are available. Please email customerservice@datesweiser.com for a custom quote. Consult technical information on [page 295](#) for construction and technical details.