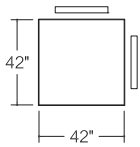
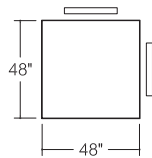


# Highline Square, Round and Elliptical Meeting Tables Index

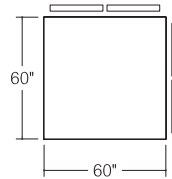
42"-84" width



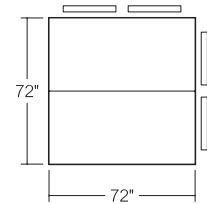
**O2M42S**  
4 Person Table



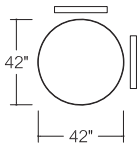
**O2M48S**  
4 Person Table



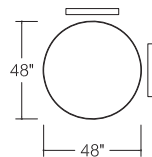
**O2M60S**  
8 Person Table



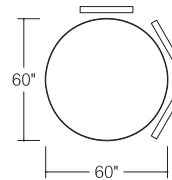
**O2M72S**  
8 Person Table



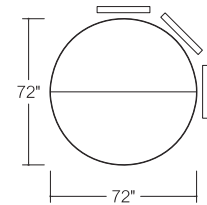
**O2M42C**  
4 Person Table



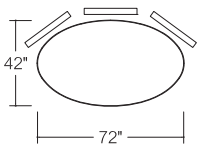
**O2M48C**  
4 Person Table



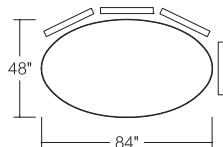
**O2M60C**  
6 Person Table



**O2M72C**  
8 Person Table



**O2M42E**  
6 Person Table



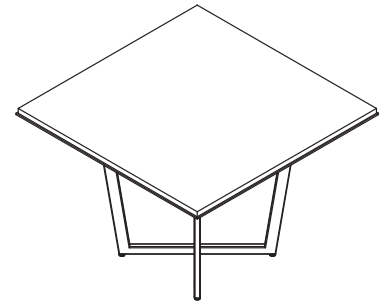
**O2M48E**  
8 Person Table



# Highline Square Meeting Table

42"x42"/ 4 Person

02M42S



Starting Price: \$6,982

42x42 table, veneer Tier 1 top with metal edge, open x base, powder coat metal finish

**Pattern Number: 02M42S**

---

### Step 1. Top Material

<b>V</b>	Veneer
<b>G</b>	Glass
<b>C</b>	Corian
<b>Q</b>	Caesarstone

---

### Step 2. Metal Finish

<b>MC</b> __	Powder Coat	+0
<b>PM01</b>	Polished Chrome	+294
<b>PM02</b>	Satin Nickel	+294
<b>PM03</b>	Oil Rubbed Bronze	+294

---

### Step 3. Top Finish

<b>T1</b> __	Veneer Tier 1	+0
<b>T2</b> __	Veneer Tier 2	+267
<b>T3</b> __	Veneer Tier 3	+792
<b>GC01</b>	Clear Glass, back painted, white	+438
<b>GC</b> __	Clear Glass, back painted, color	+829
<b>GE01</b>	Etched matte Glass, back painted, white	+667
<b>GE</b> __	Etched matte Glass, back painted, color	+1,070
<b>CS01</b>	Corian Glacier White	+1,246
<b>QS</b> __	Caesarstone	+4,538

---

### Step 4. Microphone and/or Grommet Accommodations: Optional

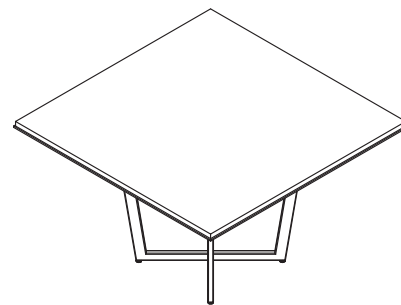
<b>MA</b> __	Microphone hole (factory cut)	Qty __ x 321 each
<b>GM</b> __	2" Grommet Hole (factory cut), liner, lid, in matching metal finish	Qty __ x 423 each

Please consult [page 7](#) for the palette of DatesWeiser finishes. Natural stone, non-standard glass and veneer, and other technology options are available. Please email [customerservice@datesweiser.com](mailto:customerservice@datesweiser.com) for a custom quote. Consult technical information on [page 288](#) for construction and technical details.

# Highline Square Meeting Table

48"x48"/ 4 Person

02M48S



Starting Price: **\$7,411**

48x48 table, veneer Tier 1 top with metal edge, open x base, powder coat metal finish

**Pattern Number: 02M48S**

Please consult [page 7](#) for the palette of DatesWeiser finishes. Natural stone, non-standard glass and veneer, and other technology options are available. Please email [customerservice@datesweiser.com](mailto:customerservice@datesweiser.com) for a custom quote. Consult technical information on [page 288](#) for construction and technical details.

## Step 1. Top Material

<b>V</b>	Veneer
<b>G</b>	Glass
<b>C</b>	Corian
<b>Q</b>	Caesarstone

## Step 2. Metal Finish

<b>MC</b> __	Powder Coat	+0
<b>PM01</b>	Polished Chrome	+294
<b>PM02</b>	Satin Nickel	+294
<b>PM03</b>	Oil Rubbed Bronze	+294

## Step 3. Top Finish

<b>T1</b> __	Veneer Tier 1	+0
<b>T2</b> __	Veneer Tier 2	+358
<b>T3</b> __	Veneer Tier 3	+1,038
<b>GC01</b>	Clear Glass, back painted, white	+676
<b>GC</b> __	Clear Glass, back painted, color	+1,102
<b>GE01</b>	Etched matte Glass, back painted, white	+981
<b>GE</b> __	Etched matte Glass, back painted, color	+1,423
<b>CS01</b>	Corian Glacier White	+1,669
<b>QS</b> __	Caesarstone	+5,301

Step 4. Power & Connectivity Access: Optional; included wire management base.

<b>TMHW</b>	Tabletop, Metal lid, Hardwired, Qty 1	+7,934
<b>TMPI</b>	Tabletop, Metal lid, Plug In, Qty 1	+7,688
<b>UMHW</b>	Undermount, Hardwired, Qty 2	+7,365
<b>UMPI</b>	Undermount, Plug In, Qty 2	+6,873

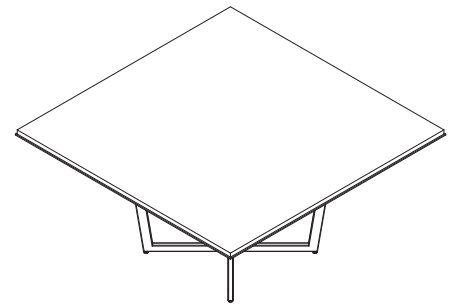
Step 5. Microphone and/or Grommet Accommodations: Optional

<b>MA</b> __	Microphone hole (factory cut)	Qty __ x 321 each
<b>GM</b> __	2" Grommet Hole (factory cut), liner, lid, in matching metal finish	Qty __ x 423 each

# Highline Square Meeting Table

60"x60"/ 8 Person

02M60S



Starting Price: **\$9,279**

60x60 table, veneer Tier 1 top with metal edge, open x base, powder coat metal finish

**Pattern Number: 02M60S**

Please consult **page 7** for the palette of DatesWeiser finishes. Natural stone, non-standard glass and veneer, and other technology options are available. Please email **customerservice@datesweiser.com** for a custom quote. Consult technical information on **page 288** for construction and technical details.

## Step 1. Top Material

<b>V</b>	Veneer
<b>G</b>	Glass
<b>C</b>	Corian
<b>Q</b>	Caesarstone

\*Tables with a Caesarstone finish require a 2-section top.

## Step 2. Metal Finish

<b>MC</b> __	Powder Coat	+0
<b>PM01</b>	Polished Chrome	+294
<b>PM02</b>	Satin Nickel	+294
<b>PM03</b>	Oil Rubbed Bronze	+294

## Step 3. Top Finish

<b>T1</b> __	Veneer Tier 1	+0
<b>T2</b> __	Veneer Tier 2	+540
<b>T3</b> __	Veneer Tier 3	+1,632
<b>GC01</b>	Clear Glass, back painted, white	+1,360
<b>GC</b> __	Clear Glass, back painted, color	+1,921
<b>GE01</b>	Etched matte Glass, back painted, white	+1,843
<b>GE</b> __	Etched matte Glass, back painted, color	+2,429
<b>CS01</b>	Corian Glacier White	+2,814
<b>QS</b> __	Caesarstone*	+7,651

## Step 4. Power & Connectivity Access: Optional; included wire management base.

<b>TMHW</b>	Tabletop, Metal lid, Hardwired, Qty 1	+8,683
<b>TMPI</b>	Tabletop, Metal lid, Plug In, Qty 1	+8,437
<b>UMHW</b>	Undermount, Hardwired, Qty 2	+8,115
<b>UMPI</b>	Undermount, Plug In, Qty 2	+7,957

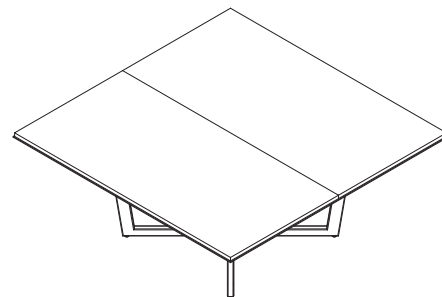
## Step 5. Microphone and/or Grommet Accommodations: Optional

<b>MA</b> __	Microphone hole (factory cut)	Qty __ x 321 each
<b>GM</b> __	2" Grommet Hole (factory cut), liner, lid, in matching metal finish	Qty __ x 423 each

# Highline Square Meeting Table

72"x72"/ 8 Person

02M72S



Starting Price: **\$10,786**

72x72 table, veneer Tier 1 top with metal edge, open x base, powder coat metal finish

**Pattern Number: 02M72S**

Please consult **page 7** for the palette of DatesWeiser finishes. Natural stone, non-standard glass and veneer, and other technology options are available. Please email **customerservice@datesweiser.com** for a custom quote. Consult technical information on **page 288** for construction and technical details.

## Step 1. Top Material

<b>V</b>	Veneer
<b>G</b>	Glass
<b>C</b>	Corian
<b>Q</b>	Caesarstone

## Step 2. Metal Finish

<b>MC __</b>	Powder Coat	+0
<b>PM01</b>	Polished Chrome	+294
<b>PM02</b>	Satin Nickel	+294
<b>PM03</b>	Oil Rubbed Bronze	+294

## Step 3. Top Finish

<b>T1 __</b>	Veneer Tier 1	+0
<b>T2 __</b>	Veneer Tier 2	+770
<b>T3 __</b>	Veneer Tier 3	+2,338
<b>GC01</b>	Clear Glass, back painted, white	+2,083
<b>GC __</b>	Clear Glass, back painted, color	+2,760
<b>GE01</b>	Etched matte Glass, back painted, white	+2,769
<b>GE __</b>	Etched matte Glass, back painted, color	+3,482
<b>CS01</b>	Corian Glacier White	+4,082
<b>QS __</b>	Caesarstone	+10,029

## Step 4. Power & Connectivity Access: Optional; included wire management base.

<b>TMHW</b>	Tabletop, Metal lid, Hardwired, Qty 1	+8,683
<b>TMPI</b>	Tabletop, Metal lid, Plug In, Qty 1	+8,437
<b>UMHW</b>	Undermount, Hardwired, Qty 4	+9,894
<b>UMPI</b>	Undermount, Plug In, Qty 4	+8,910

## Step 5. Microphone and/or Grommet Accommodations: Optional

<b>MA __</b>	Microphone hole (factory cut)	Qty __ x 321 each
<b>GM __</b>	2" Grommet hole (factory cut), liner, lid, in matching metal finish	Qty __ x 423 each

# Highline Round Meeting Table

42"/ 4 Person

02M42C



Starting Price: \$9,149

42" table, veneer Tier 1 top with metal edge, open x base, powder coat metal finish

**Pattern Number: 02M42C**

## Step 1. Top Material

<b>V</b>	Veneer
<b>G</b>	Glass
<b>C</b>	Corian
<b>Q</b>	Caesarstone

## Step 2. Metal Finish

<b>MC __</b>	Powder Coat	+0
<b>PM01</b>	Polished Chrome	+294
<b>PM02</b>	Satin Nickel	+294
<b>PM03</b>	Oil Rubbed Bronze	+294

## Step 3. Top Finish

<b>T1 __</b>	Veneer Tier 1	+0
<b>T2 __</b>	Veneer Tier 2	+256
<b>T3 __</b>	Veneer Tier 3	+797
<b>GC01</b>	Clear Glass, back painted, white	+940
<b>GC __</b>	Clear Glass, back painted, color	+1,471
<b>GE01</b>	Etched matte Glass, back painted, white	+1,306
<b>GE __</b>	Etched matte Glass, back painted, color	+1,856
<b>CS01</b>	Corian Glacier White	+3,140
<b>QS __</b>	Caesarstone	+8,056

## Step 4. Microphone and/or Grommet Accommodations: Optional

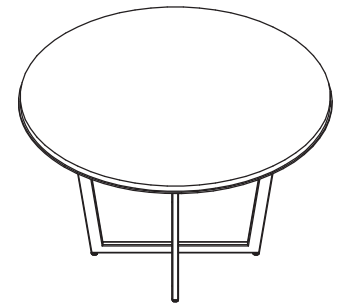
<b>MA __</b>	Microphone hole (factory cut)	Qty __ x 321 each
<b>GM __</b>	2" Grommet hole (factory cut), liner, lid, in matching metal finish	Qty __ x 423 each

Please consult [page 7](#) for the palette of DatesWeiser finishes. Natural stone, non-standard glass and veneer, and other technology options are available. Please email [customerservice@datesweiser.com](mailto:customerservice@datesweiser.com) for a custom quote. Consult technical information on [page 288](#) for construction and technical details.

# Highline Round Meeting Table

48"/ 4 Person

02M48C



Starting Price: **\$9,582**

48" table, veneer Tier 1 top with metal edge, open x base, powder coat metal finish

**Pattern Number: 02M48C**

Please consult **page 7** for the palette of DatesWeiser finishes. Natural stone, non-standard glass and veneer, and other technology options are available. Please email **customerservice@datesweiser.com** for a custom quote. Consult technical information on **page 288** for construction and technical details.

## Step 1. Top Material

<b>V</b>	Veneer	
<b>G</b>	Glass	
<b>C</b>	Corian	
<b>Q</b>	Caesarstone	

## Step 2. Metal Finish

<b>MC __</b>	Powder Coat	+0
<b>PM01</b>	Polished Chrome	+294
<b>PM02</b>	Satin Nickel	+294
<b>PM03</b>	Oil Rubbed Bronze	+294

## Step 3. Top Finish

<b>T1 __</b>	Veneer Tier 1	+0
<b>T2 __</b>	Veneer Tier 2	+337
<b>T3 __</b>	Veneer Tier 3	+1,038
<b>GC01</b>	Clear Glass, back painted, white	+1,219
<b>GC __</b>	Clear Glass, back painted, color	+1,787
<b>GE01</b>	Etched matte Glass, back painted, white	+1,666
<b>GE __</b>	Etched matte Glass, back painted, color	+2,258
<b>CS01</b>	Corian Glacier White	+3,959
<b>QS __</b>	Caesarstone	+9,375

Step 4. Power & Connectivity Access: Optional; included wire management base.

<b>TMHW</b>	Tabletop, Metal lid, Hardwired, Qty 1	+7,934
<b>TMPI</b>	Tabletop, Metal lid, Plug In, Qty 1	+7,688
<b>UMHW</b>	Undermount, Hardwired, Qty 2	+7,365
<b>UMPI</b>	Undermount, Plug In, Qty 2	+6,873

Step 5. Microphone and/or Grommet Accommodations: Optional

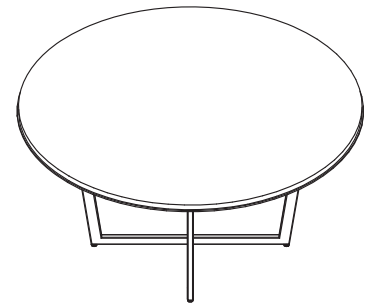
<b>MA __</b>	Microphone hole (factory cut)	Qty __ x 321 each
<b>GM __</b>	2" Grommet hole (factory cut), liner, lid, in matching metal finish	Qty __ x 423 each



# Highline Round Meeting Table

60"/ 6 Person

02M60C



Starting Price: **\$12,403**

60" table, veneer Tier 1 top with metal edge, open x base, powder coat metal finish

**Pattern Number: 02M60C**

Please consult [page 7](#) for the palette of DatesWeiser finishes. Natural stone, non-standard glass and veneer, and other technology options are available. Please email [customerservice@datesweiser.com](mailto:customerservice@datesweiser.com) for a custom quote. Consult technical information on [page 288](#) for construction and technical details.

## Step 1. Top Material

<b>V</b>	Veneer	
<b>G</b>	Glass	
<b>C</b>	Corian	
<b>Q</b>	Caesarstone	

## Step 2. Metal Finish

<b>MC __</b>	Powder Coat	+0
<b>PM01</b>	Polished Chrome	+294
<b>PM02</b>	Satin Nickel	+294
<b>PM03</b>	Oil Rubbed Bronze	+294

## Step 3. Top Finish

<b>T1 __</b>	Veneer Tier 1	+0
<b>T2 __</b>	Veneer Tier 2	+541
<b>T3 __</b>	Veneer Tier 3	+1,621
<b>GC01</b>	Clear Glass, back painted, white	+2,140
<b>GC __</b>	Clear Glass, back painted, color	+2,905
<b>GE01</b>	Etched matte Glass, back painted, white	+2,847
<b>GE __</b>	Etched matte Glass, back painted, color	+3,649
<b>CS01</b>	Corian Glacier White	+6,324
<b>QS __</b>	Caesarstone*	+13,815

## Step 4. Power & Connectivity Access: Optional; all include wire management base

<b>TMHW</b>	Tabletop, Metal lid, Hardwired, Qty 1	+8,683
<b>TMPI</b>	Tabletop, Metal lid, Plug In, Qty 1	+8,437
<b>UMHW</b>	Undermount, Hardwired, Qty 2	+8,115
<b>UMPI</b>	Undermount, Plug In, Qty 2	+7,957

## Step 5. Microphone and/or Grommet Accommodations: Optional

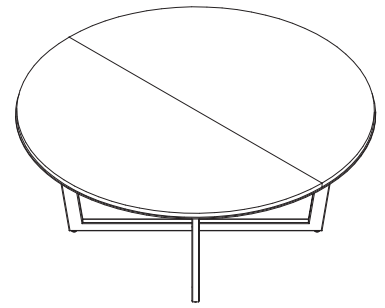
<b>MA __</b>	Microphone hole (factory cut)	Qty __ x 321 each
<b>GM __</b>	2" Grommet hole (factory cut), liner, lid, in matching metal finish	Qty __ x 423 each

\*Tables with a Caesarstone finish require a 2-section top.

# Highline Round Meeting Table

72"/ 8 Person

02M72C



Starting Price: **\$13,776**

72" table, veneer Tier 1 top with metal edge, open x base, powder coat metal finish

**Pattern Number: 02M72C**

Please consult **page 7** for the palette of DatesWeiser finishes. Natural stone, non-standard glass and veneer, and other technology options are available. Please email **customerservice@datesweiser.com** for a custom quote. Consult technical information on **page 288** for construction details and technical information.

## Step 1. Top Material

<b>V</b>	Veneer	
<b>G</b>	Glass	
<b>C</b>	Corian	
<b>Q</b>	Caesarstone	

## Step 2. Metal Finish

<b>MC __</b>	Powder Coat	+0
<b>PM01</b>	Polished Chrome	+294
<b>PM02</b>	Satin Nickel	+294
<b>PM03</b>	Oil Rubbed Bronze	+294

## Step 3. Top Finish

<b>T1 __</b>	Veneer Tier 1	+0
<b>T2 __</b>	Veneer Tier 2	+787
<b>T3 __</b>	Veneer Tier 3	+2,365
<b>GC01</b>	Clear Glass, back painted, white	+2,996
<b>GC __</b>	Clear Glass, back painted, color	+3,879
<b>GE01</b>	Etched matte Glass, back painted, white	+4,022
<b>GE __</b>	Etched matte Glass, back painted, color	+4,960
<b>CS01</b>	Corian Glacier White	+8,812
<b>QS __</b>	Caesarstone	+17,846

## Step 4. Power & Connectivity Access: Optional; all include wire management base

<b>TMHW</b>	Tabletop, Metal lid, Hardwired, Qty 1	+8,683
<b>TMPI</b>	Tabletop, Metal lid, Plug In, Qty 1	+8,437
<b>UMHW</b>	Undermount, Hardwired, Qty 4	+9,894
<b>UMPI</b>	Undermount, Plug In, Qty 4	+8,910

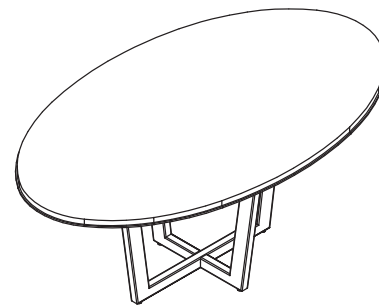
## Step 5. Microphone and/or Grommet Accommodations: Optional

<b>MA __</b>	Microphone hole (factory cut)	Qty __ x 321 each
<b>GM __</b>	2" Grommet hole (factory cut), liner, lid, in matching metal finish	Qty __ x 423 each

# Highline Elliptical Meeting Table

42"x72"/ 6 Person

02M42E



Starting Price: \$12,981

42x72 table, veneer Tier 1 top with metal edge, open x base, powder coat metal finish

**Pattern Number: 02M42E**

---

## Step 1. Top Material

<b>V</b>	Veneer
<b>G</b>	Glass
<b>C</b>	Corian
<b>Q</b>	Caesarstone

---

## Step 2. Metal Finish

<b>MC</b> __	Powder Coat	+0
<b>PM01</b>	Polished Chrome	+294
<b>PM02</b>	Satin Nickel	+294
<b>PM03</b>	Oil Rubbed Bronze	+294

---

## Step 3. Top Finish

<b>T1</b> __	Veneer Tier 1	+0
<b>T2</b> __	Veneer Tier 2	+444
<b>T3</b> __	Veneer Tier 3	+1,338
<b>GC01</b>	Clear Glass, back painted, white	+1,598
<b>GC</b> __	Clear Glass, back painted, color	+2,365
<b>GE01</b>	Etched matte Glass, back painted, white	+2,223
<b>GE</b> __	Etched matte Glass, back painted, color	+3,023
<b>CS01</b>	Corian Glacier White	+4,232
<b>QS</b> __	Caesarstone	+11,118

---

## Step 4. Microphone and/or Grommet Accommodations: Optional

<b>MA</b> __	Microphone hole (factory cut)	Qty __ x 321 each
<b>GM</b> __	2" Grommet hole (factory cut), liner, lid, in matching metal finish	Qty __ x 423 each

---

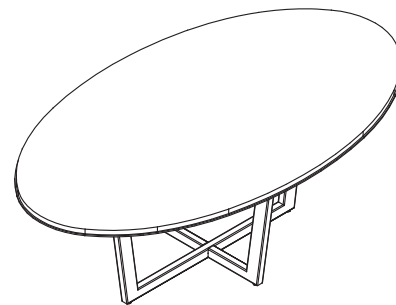
Please consult [page 7](#) for the palette of DatesWeiser finishes. Natural stone, non-standard glass and veneer, and other technology options are available. Please email [customerservice@datesweiser.com](mailto:customerservice@datesweiser.com) for a custom quote. Consult technical information on [page 288](#) for construction and technical details.

---

# Highline Elliptical Meeting Table

48"x84"/ 8 Person

02M48E



Starting Price: **\$14,002**

48x84 table, veneer Tier 1 top with metal edge, open x base, powder coat metal finish

**Pattern Number: 02M48E**

Please consult [page 7](#) for the palette of DatesWeiser finishes. Natural stone, non-standard glass and veneer, and other technology options are available. Please email [customerservice@datesweiser.com](mailto:customerservice@datesweiser.com) for a custom quote. Consult technical information on [page 288](#) for construction and technical details.

## Step 1. Top Material

<b>V</b>	Veneer	
<b>G</b>	Glass	
<b>C</b>	Corian	
<b>Q</b>	Caesarstone	

## Step 2. Metal Finish

<b>MC __</b>	Powder Coat	+0
<b>PM01</b>	Polished Chrome	+294
<b>PM02</b>	Satin Nickel	+294
<b>PM03</b>	Oil Rubbed Bronze	+294

## Step 3. Top Finish

<b>T1 __</b>	Veneer Tier 1	+0
<b>T2 __</b>	Veneer Tier 2	+594
<b>T3 __</b>	Veneer Tier 3	+1,798
<b>GC01</b>	Clear Glass, back painted, white	+2,334
<b>GC __</b>	Clear Glass, back painted, color	+3,194
<b>GE01</b>	Etched matte Glass, back painted, white	+3,143
<b>GE __</b>	Etched matte Glass, back painted, color	+4,045
<b>CS01</b>	Corian Glacier White	+5,687
<b>QS __</b>	Caesarstone	+13,562

## Step 4. Power & Connectivity Access: Optional; all include wire management base

<b>TMHW</b>	Tabletop, Metal lid, Hardwired, Qty 1	+8,683
<b>TMPI</b>	Tabletop, Metal lid, Plug In, Qty 1	+8,437
<b>UMHW</b>	Undermount, Hardwired, Qty 4	+9,894
<b>UMPI</b>	Undermount, Plug In, Qty 4	+8,910

## Step 5. Microphone and/or Grommet Accommodations: Optional

<b>MA __</b>	Microphone hole (factory cut)	Qty __ x 321 each
<b>GM __</b>	2" Grommet hole (factory cut), liner, lid, in matching metal finish	Qty __ x 423 each