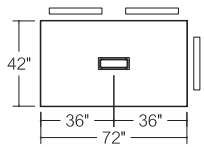
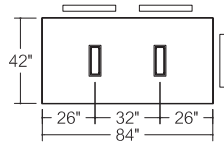


Highline Rectangular Conference Tables Index

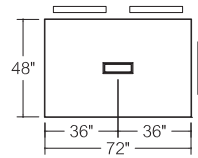
42"-48" width



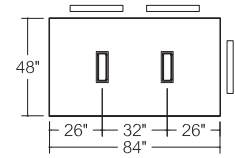
O2R42X72
6 Person Table



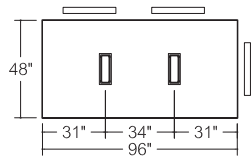
O2R42X84
6 Person Table



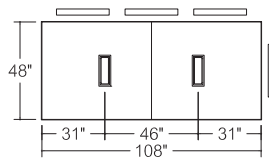
O2R48X72
6 Person Table



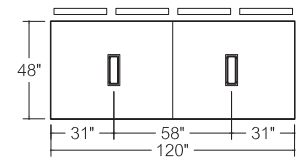
O2R48X84
6 Person Table



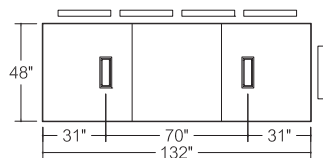
O2R48X96
6 Person Table



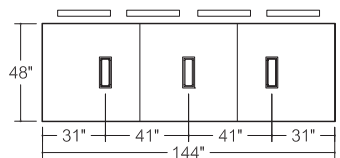
O2R48X108
8 Person Table



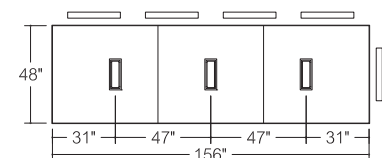
O2R48X120
10 Person Table



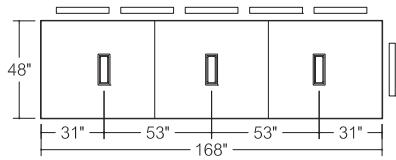
O2R48X132
10 Person Table



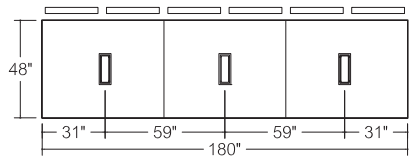
O2R48X144
10 Person Table



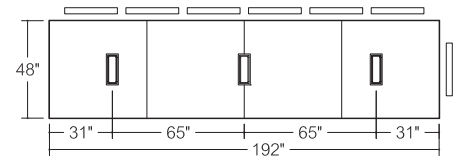
O2R48X156
10 Person Table



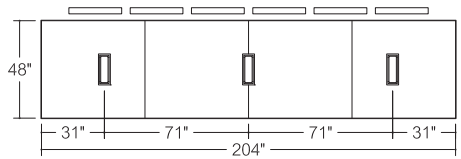
02R48X168
12 Person Table



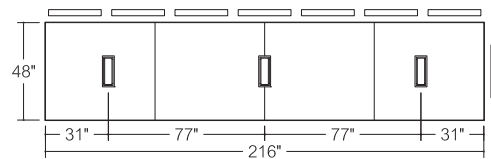
02R48X180
14 Person Table



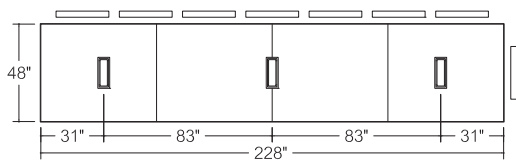
02R48X192
14 Person Table



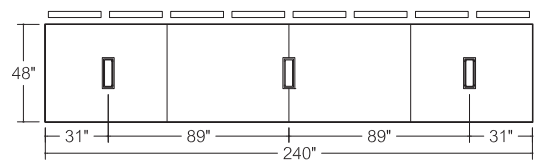
02R48X204
14 Person Table



02R48X216
16 Person Table



02R48X228
16 Person Table

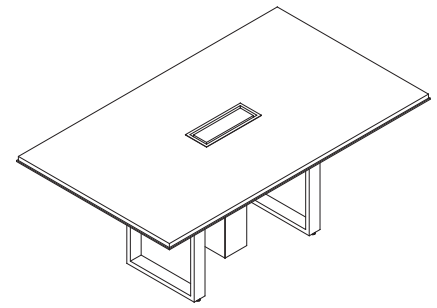


02R48X240
18 Person Table

Highline Rectangular Conference Table

42"x72"/ 6 Person

02R42X72



Starting Price: **\$8,961**

42x72 table, veneer Tier 1 top with metal edge, open base, powder coat metal finish

Pattern Number: 02R42X72

Step 1. Top Material

V	Veneer
G	Glass
C	Corian
Q	Caesarstone

Step 2. Metal Finish

MC __	Powder Coat	+0
PM01	Polished Chrome	+294
PM02	Satin Nickel	+294
PM03	Oil Rubbed Bronze	+294

Step 3. Top Finish

T1 __	Veneer Tier 1	+0
T2 __	Veneer Tier 2	+498
T3 __	Veneer Tier 3	+1,365
GC01	Clear Glass, back painted, white	+596
GC __	Clear Glass, back painted, color	+1,659
GE01	Etched matte Glass, back painted, white	+991
GE __	Etched matte Glass, back painted, color	+2,097
CS01	Corian Glacier White	+2,408
QS __	Caesarstone	+6,954

Step 4. Power & Connectivity Access: Optional

TMHW	Tabletop, Metal lid, Hardwired, Qty 1	+1,998
TMPI	Tabletop, Metal lid, Plug In, Qty 1	+1,749
UMHW	Undermount, Hardwired, Qty 4	+3,560
UMPI	Undermount, Plug In, Qty 4	+2,576

Step 5. Microphone and/or Grommet Accommodations: Optional

MA __	Microphone hole (factory cut)	Qty __ x 321 each
GM __	2" Grommet Hole (factory cut), liner, lid, in matching metal finish	Qty __ x 423 each

Wire Management Column (sold separately)

Required with any technology selection

Pattern Number: 02WMC6X6	508
Pattern Number: 02WMC10X10	1,065

Step 1. Metal Finish for Wire Management Column

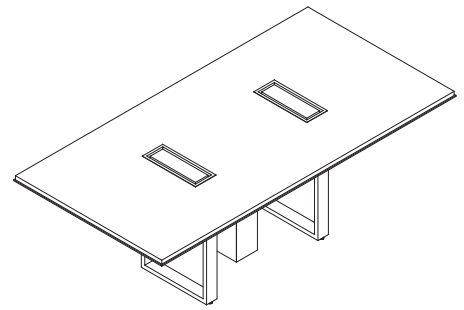
		6x6	10x10
MC __	Powder Coat	+0	+0
PM01	Polished Chrome	+749	+428
PM02	Satin Nickel	+749	+428
PM03	Oil Rubbed Bronze	+749	+428

Please consult [page 7](#) for the palette of DatesWeiser finishes. Natural stone, non-standard glass and veneer, and other technology options are available. Please email customerservice@datesweiser.com for a custom quote. Consult technical information on [page 280](#) for construction technical details.

Highline Rectangular Conference Table

42"x84"/ 6 Person

02R42X84



Starting Price: **\$9,597**

42x84 table, veneer Tier 1 top with metal edge, open base, powder coat metal finish

Pattern Number: 02R42X84

Step 1. Top Material

V	Veneer
G	Glass
C	Corian
Q	Caesarstone

Step 2. Metal Finish

MC __	Powder Coat	+0
PM01	Polished Chrome	+294
PM02	Satin Nickel	+294
PM03	Oil Rubbed Bronze	+294

Step 3. Top Finish

T1 __	Veneer Tier 1	+0
T2 __	Veneer Tier 2	+519
T3 __	Veneer Tier 3	+1,594
GC01	Clear Glass, back painted, white	+807
GC __	Clear Glass, back painted, color	+1,963
GE01	Etched matte Glass, back painted, white	+1,250
GE __	Etched matte Glass, back painted, color	+2,455
CS01	Corian Glacier White	+2,830
QS __	Caesarstone	+7,800

Step 4. Power & Connectivity Access: Optional

TMHW	Tabletop, Metal lid, Hardwired, Qty 2	+3,996
TMPI	Tabletop, Metal lid, Plug In, Qty 2	+3,498
UMHW	Undermount, Hardwired, Qty 4	+3,560
UMPI	Undermount, Plug In, Qty 4	+2,576

Step 5. Microphone and/or Grommet Accommodations: Optional

MA __	Microphone hole (factory cut)	Qty __ x 321 each
GM __	2" Grommet Hole (factory cut), liner, lid, in matching metal finish	Qty __ x 423 each

Wire Management Column (sold separately)

Required with any technology selection

Pattern Number: 02WMC6X6	508
Pattern Number: 02WMC10X10	1,065

Step 1. Metal Finish for Wire Management Column

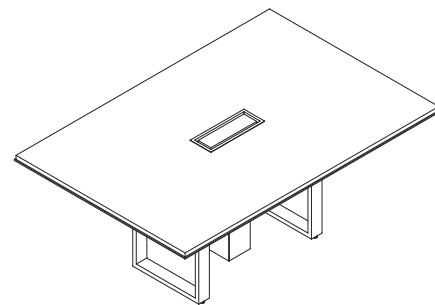
		6x6	10x10
MC __	Powder Coat	+0	+0
PM01	Polished Chrome	+749	+428
PM02	Satin Nickel	+749	+428
PM03	Oil Rubbed Bronze	+749	+428

Please consult [page 7](#) for the palette of DatesWeiser finishes. Natural stone, non-standard glass and veneer, and other technology options are available. Please email customerservice@datesweiser.com for a custom quote. Consult technical information on [page 280](#) for construction and technical details.

Highline Rectangular Conference Table

48"x72"/ 6 Person

02R48X72



Starting Price: **\$9,293**

48x72 table, veneer Tier 1 top with metal edge, open base, powder coat metal finish

Pattern Number: 02R48X72

Step 1. Top Material

V	Veneer
G	Glass
C	Corian
Q	Caesarstone

Step 2. Metal Finish

MC __	Powder Coat	+0
PM01	Polished Chrome	+294
PM02	Satin Nickel	+294
PM03	Oil Rubbed Bronze	+294

Step 3. Top Finish

T1 __	Veneer Tier 1	+0
T2 __	Veneer Tier 2	+530
T3 __	Veneer Tier 3	+1,578
GC01	Clear Glass, back painted, white	+780
GC __	Clear Glass, back painted, color	+1,899
GE01	Etched matte Glass, back painted, white	+1,204
GE __	Etched matte Glass, back painted, color	+2,370
CS01	Corian Glacier White	+2,750
QS __	Caesarstone	+7,567

Step 4. Power & Connectivity Access: Optional

TMHW	Tabletop, Metal lid, Hardwired, Qty 1	+1,998
TMPI	Tabletop, Metal lid, Plug In, Qty 1	+1,749
UMHW	Undermount, Hardwired, Qty 4	+3,560
UMPI	Undermount, Plug In, Qty 4	+2,576

Step 5. Microphone and/or Grommet Accommodations: Optional

MA __	Microphone hole (factory cut)	Qty __ x 321 each
GM __	2" Grommet Hole (factory cut), liner, lid, in matching metal finish	Qty __ x 423 each

Wire Management Column (sold separately)

Required with any technology selection

Pattern Number: 02WMC6X6	508
Pattern Number: 02WMC10X10	1,065

Step 1. Metal Finish for Wire Management Column

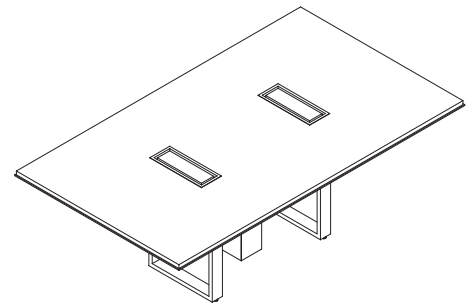
		6x6	10x10
MC __	Powder Coat	+0	+0
PM01	Polished Chrome	+749	+428
PM02	Satin Nickel	+749	+428
PM03	Oil Rubbed Bronze	+749	+428

Please consult [page 7](#) for the palette of DatesWeiser finishes. Natural stone, non-standard glass and veneer, and other technology options are available. Please email customerservice@datesweiser.com for a custom quote. Consult technical information on [page 280](#) for construction technical details.

Highline Rectangular Conference Table

48"x84"/ 6 Person

02R48X84



Starting Price: **\$9,996**

48x84 table, veneer Tier 1 top with metal edge, open base, powder coat metal finish

Pattern Number: 02R48X84

Step 1. Top Material

V	Veneer
G	Glass
C	Corian
Q	Caesarstone

Step 2. Metal Finish

MC __	Powder Coat	+0
PM01	Polished Chrome	+294
PM02	Satin Nickel	+294
PM03	Oil Rubbed Bronze	+294

Step 3. Top Finish

T1 __	Veneer Tier 1	+0
T2 __	Veneer Tier 2	+610
T3 __	Veneer Tier 3	+1,814
GC01	Clear Glass, back painted, white	+989
GC __	Clear Glass, back painted, color	+2,209
GE01	Etched matte Glass, back painted, white	+1,499
GE __	Etched matte Glass, back painted, color	+2,777
CS01	Corian Glacier White	+3,237
QS __	Caesarstone	+8,530

Step 4. Power & Connectivity Access: Optional

TMHW	Tabletop, Metal lid, Hardwired, Qty 2	+3,996
TMPI	Tabletop, Metal lid, Plug In, Qty 2	+3,498
UMHW	Undermount, Hardwired, Qty 4	+3,560
UMPI	Undermount, Plug In, Qty 4	+2,576

Step 5. Microphone and/or Grommet Accommodations: Optional

MA __	Microphone hole (factory cut)	Qty __ x 321 each
GM __	2" Grommet Hole (factory cut), liner, lid, in matching metal finish	Qty __ x 423 each

Wire Management Column (sold separately)

Required with any technology selection

Pattern Number: 02WMC6X6	508
Pattern Number: 02WMC10X10	1,065

Step 1. Metal Finish for Wire Management Column

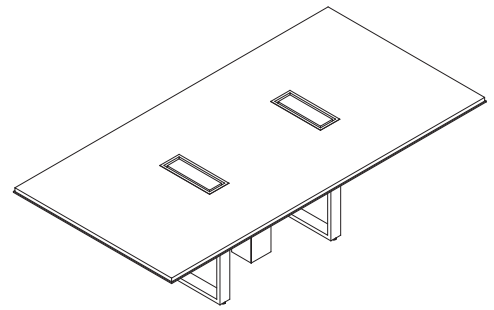
		6x6	10x10
MC __	Powder Coat	+0	+0
PM01	Polished Chrome	+749	+428
PM02	Satin Nickel	+749	+428
PM03	Oil Rubbed Bronze	+749	+428

Please consult [page 7](#) for the palette of DatesWeiser finishes. Natural stone, non-standard glass and veneer, and other technology options are available. Please email customerservice@datesweiser.com for a custom quote. Consult technical information on [page 280](#) for construction and technical details.

Highline Rectangular Conference Table

48"x96"/ 6 Person

02R48X96



Starting Price: **\$10,410**

48x96 table, veneer Tier 1 top with metal edge, open base, powder coat metal finish

Pattern Number: 02R48X96

Step 1. Top Material

V	Veneer
G	Glass
C	Corian
Q	Caesarstone

Step 2. Metal Finish

MC __	Powder Coat	+0
PM01	Polished Chrome	+294
PM02	Satin Nickel	+294
PM03	Oil Rubbed Bronze	+294

Step 3. Top Finish

T1 __	Veneer Tier 1	+0
T2 __	Veneer Tier 2	+701
T3 __	Veneer Tier 3	+2,076
GC01	Clear Glass, back painted, white	+1,203
GC __	Clear Glass, back painted, color	+2,493
GE01	Etched matte Glass, back painted, white	+1,786
GE __	Etched matte Glass, back painted, color	+3,140
CS01	Corian Glacier White	+3,633
QS __	Caesarstone	+9,250

Step 4. Power & Connectivity Access: Optional

TMHW	Tabletop, Metal lid, Hardwired, Qty 2	+3,996
TMPI	Tabletop, Metal lid, Plug In, Qty 2	+3,498
UMHW	Undermount, Hardwired, Qty 4	+3,560
UMPI	Undermount, Plug In, Qty 4	+2,576

Step 5. Microphone and/or Grommet Accommodations: Optional

MA __	Microphone hole (factory cut)	Qty __ x 321 each
GM __	2" Grommet Hole (factory cut), liner, lid, in matching metal finish	Qty __ x 423 each

Wire Management Column (sold separately)

Required with any technology selection

Pattern Number: 02WMC6X6	508
Pattern Number: 02WMC10X10	1,065

Step 1. Metal Finish for Wire Management Column

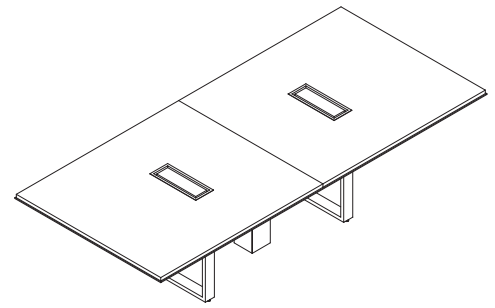
		6x6	10x10
MC __	Powder Coat	+0	+0
PM01	Polished Chrome	+749	+428
PM02	Satin Nickel	+749	+428
PM03	Oil Rubbed Bronze	+749	+428

Please consult [page 7](#) for the palette of DatesWeiser finishes. Natural stone, non-standard glass and veneer, and other technology options are available. Please email customerservice@datesweiser.com for a custom quote. Consult technical information on [page 280](#) for construction and technical details.

Highline Rectangular Conference Table

48"x108"/ 8 Person

02R48X108



Starting Price: **\$11,282**

48x108 table, veneer Tier 1 top with metal edge, open base, powder coat metal finish

Pattern Number: 02R48X108

Step 1. Top Material

V	Veneer
G	Glass
C	Corian
Q	Caesarstone

Step 2. Metal Finish

MC __	Powder Coat	+0
PM01	Polished Chrome	+294
PM02	Satin Nickel	+294
PM03	Oil Rubbed Bronze	+294

Step 3. Top Finish

T1 __	Veneer Tier 1	+0
T2 __	Veneer Tier 2	+787
T3 __	Veneer Tier 3	+2,343
GC01	Clear Glass, back painted, white	+1,766
GC __	Clear Glass, back painted, color	+3,215
GE01	Etched matte Glass, back painted, white	+2,434
GE __	Etched matte Glass, back painted, color	+3,959
CS01	Corian Glacier White	+4,521
QS __	Caesarstone	+10,841

Step 4. Power & Connectivity Access: Optional

TMHW	Tabletop, Metal lid, Hardwired, Qty 2	+3,996
TMPI	Tabletop, Metal lid, Plug In, Qty 2	+3,498
UMHW	Undermount, Hardwired, Qty 4	+3,560
UMPI	Undermount, Plug In, Qty 4	+2,576

Step 5. Microphone and/or Grommet Accommodations: Optional

MA __	Microphone hole (factory cut)	Qty __ x 321 each
GM __	2" Grommet Hole (factory cut), liner, lid, in matching metal finish	Qty __ x 423 each

Wire Management Column (sold separately)

Required with any technology selection

Pattern Number: 02WMC6X6	508
Pattern Number: 02WMC10X10	1,065

Step 1. Metal Finish for Wire Management Column

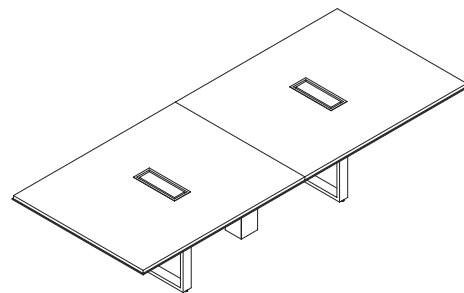
		6x6	10x10
MC __	Powder Coat	+0	+0
PM01	Polished Chrome	+749	+428
PM02	Satin Nickel	+749	+428
PM03	Oil Rubbed Bronze	+749	+428

Please consult [page 7](#) for the palette of DatesWeiser finishes. Natural stone, non-standard glass and veneer, and other technology options are available. Please email customerservice@datesweiser.com for a custom quote. Consult technical information on [page 280](#) for construction and technical details.

Highline Rectangular Conference Table

48"x120"/ 10 Person

02R48X120



Starting Price: \$12,158

48x120 table, veneer Tier 1 top with metal edge, open base, powder coat metal finish

Pattern Number: 02R48X120

Step 1. Top Material

V	Veneer
G	Glass
C	Corian
Q	Caesarstone

Step 2. Metal Finish

MC __	Powder Coat	+0
PM01	Polished Chrome	+294
PM02	Satin Nickel	+294
PM03	Oil Rubbed Bronze	+294

Step 3. Top Finish

T1 __	Veneer Tier 1	+0
T2 __	Veneer Tier 2	+878
T3 __	Veneer Tier 3	+2,601
GC01	Clear Glass, back painted, white	+2,366
GC __	Clear Glass, back painted, color	+3,981
GE01	Etched matte Glass, back painted, white	+3,079
GE __	Etched matte Glass, back painted, color	+4,773
CS01	Corian Glacier White	+5,383
QS __	Caesarstone	+12,399

Step 4. Power & Connectivity Access: Optional

TMHW	Tabletop, Metal lid, Hardwired, Qty 2	+3,996
TMPI	Tabletop, Metal lid, Plug In, Qty 2	+3,498
UMHW	Undermount, Hardwired, Qty 6	+5,340
UMPI	Undermount, Plug In, Qty 6	+3,864

Step 5. Microphone and/or Grommet Accommodations: Optional

MA __	Microphone hole (factory cut)	Qty __ x 321 each
GM __	2" Grommet Hole (factory cut), liner, lid, in matching metal finish	Qty __ x 423 each

Wire Management Column (sold separately)

Required with any technology selection

Pattern Number: 02WMC6X6	508
Pattern Number: 02WMC10X10	1,065

Step 1. Metal Finish for Wire Management Column

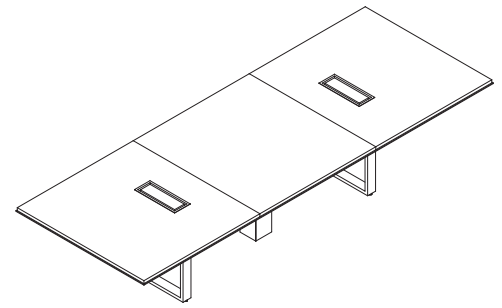
		6x6	10x10
MC __	Powder Coat	+0	+0
PM01	Polished Chrome	+749	+428
PM02	Satin Nickel	+749	+428
PM03	Oil Rubbed Bronze	+749	+428

Please consult [page 7](#) for the palette of DatesWeiser finishes. Natural stone, non-standard glass and veneer, and other technology options are available. Please email customerservice@datesweiser.com for a custom quote. Consult technical information on [page 280](#) for construction and technical details.

Highline Rectangular Conference Table

48"x132"/ 10 Person

02R48X132



Starting Price: **\$14,907**

48x132 table, veneer Tier 1 top with metal edge, open base, powder coat metal finish

Pattern Number: 02R48X132

Step 1. Top Material

V	Veneer
G	Glass
C	Corian
Q	Caesarstone

Step 2. Metal Finish

MC __	Powder Coat	+0
PM01	Polished Chrome	+444
PM02	Satin Nickel	+444
PM03	Oil Rubbed Bronze	+444

Step 3. Top Finish

T1 __	Veneer Tier 1	+0
T2 __	Veneer Tier 2	+953
T3 __	Veneer Tier 3	+2,862
GC01	Clear Glass, back painted, white	+2,876
GC __	Clear Glass, back painted, color	+4,853
GE01	Etched matte Glass, back painted, white	+3,685
GE __	Etched matte Glass, back painted, color	+5,751
CS01	Corian Glacier White	+6,415
QS __	Caesarstone	+14,944

Step 4. Power & Connectivity Access: Optional

TMHW	Tabletop, Metal lid, Hardwired, Qty 2	+3,996
TMPI	Tabletop, Metal lid, Plug In, Qty 2	+3,498
UMHW	Undermount, Hardwired, Qty 6	+5,340
UMPI	Undermount, Plug In, Qty 6	+3,864

Step 5. Microphone and/or Grommet Accommodations: Optional

MA __	Microphone hole (factory cut)	Qty __ x 321 each
GM __	2" Grommet Hole (factory cut), liner, lid, in matching metal finish	Qty __ x 423 each

Wire Management Column (sold separately)

Required with any technology selection

Pattern Number: 02WMC6X6	508
Pattern Number: 02WMC10X10	1,065

Step 1. Metal Finish for Wire Management Column

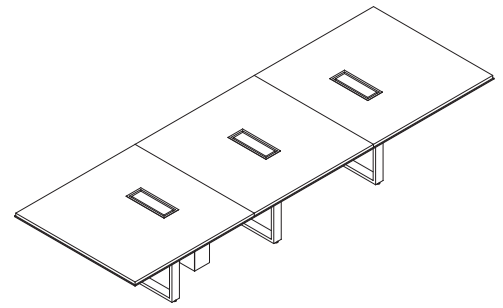
		6x6	10x10
MC __	Powder Coat	+0	+0
PM01	Polished Chrome	+749	+428
PM02	Satin Nickel	+749	+428
PM03	Oil Rubbed Bronze	+749	+428

Please consult [page 7](#) for the palette of DatesWeiser finishes. Natural stone, non-standard glass and veneer, and other technology options are available. Please email customerservice@datesweiser.com for a custom quote. Consult technical information on [page 280](#) for construction and technical details.

Highline Rectangular Conference Table

48"x144"/ 10 Person

02R48X144



Starting Price: \$15,687

48x144 table, veneer Tier 1 top with metal edge, open base, powder coat metal finish

Pattern Number: 02R48X144

Step 1. Top Material

V	Veneer
G	Glass
C	Corian
Q	Caesarstone

Step 2. Metal Finish

MC __	Powder Coat	+0
PM01	Polished Chrome	+444
PM02	Satin Nickel	+444
PM03	Oil Rubbed Bronze	+444

Step 3. Top Finish

T1 __	Veneer Tier 1	+0
T2 __	Veneer Tier 2	+1,065
T3 __	Veneer Tier 3	+3,077
GC01	Clear Glass, back painted, white	+3,338
GC __	Clear Glass, back painted, color	+5,452
GE01	Etched matte Glass, back painted, white	+4,233
GE __	Etched matte Glass, back painted, color	+6,447
CS01	Corian Glacier White	+7,212
QS __	Caesarstone	+16,371

Step 4. Power & Connectivity Access: Optional

TMHW	Tabletop, Metal lid, Hardwired, Qty 3	+5,994
TMPI	Tabletop, Metal lid, Plug In, Qty 3	+5,247
UMHW	Undermount, Hardwired, Qty 6	+5,340
UMPI	Undermount, Plug In, Qty 6	+3,864

Step 5. Microphone and/or Grommet Accommodations: Optional

MA __	Microphone hole (factory cut)	Qty __ x 321 each
GM __	2" Grommet Hole (factory cut), liner, lid, in matching metal finish	Qty __ x 423 each

Wire Management Column (sold separately)

Required with any technology selection

Pattern Number: 02WMC6X6	508
Pattern Number: 02WMC10X10	1,065

Step 1. Metal Finish for Wire Management Column

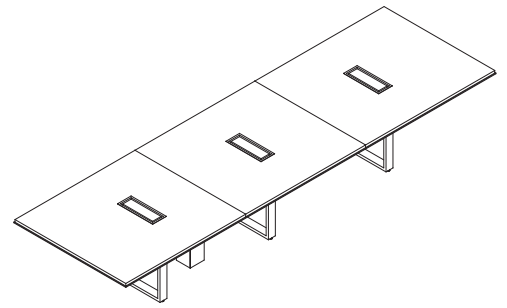
		6x6	10x10
MC __	Powder Coat	+0	+0
PM01	Polished Chrome	+749	+428
PM02	Satin Nickel	+749	+428
PM03	Oil Rubbed Bronze	+749	+428

Please consult [page 7](#) for the palette of DatesWeiser finishes. Natural stone, non-standard glass and veneer, and other technology options are available. Please email customerservice@datesweiser.com for a custom quote. Consult technical information on [page 280](#) for construction and technical details.

Highline Rectangular Conference Table

48"x156"/ 10 Person

02R48X156



Starting Price: **\$16,101**

48x156 table, veneer Tier 1 top with metal edge, open base, powder coat metal finish

Pattern Number: 02R48X156

Step 1. Top Material

V	Veneer
G	Glass
C	Corian
Q	Caesarstone

Step 2. Metal Finish

MC __	Powder Coat	+0
PM01	Polished Chrome	+444
PM02	Satin Nickel	+444
PM03	Oil Rubbed Bronze	+444

Step 3. Top Finish

T1 __	Veneer Tier 1	+0
T2 __	Veneer Tier 2	+1,129
T3 __	Veneer Tier 3	+3,382
GC01	Clear Glass, back painted, white	+3,605
GC __	Clear Glass, back painted, color	+5,794
GE01	Etched matte Glass, back painted, white	+4,578
GE __	Etched matte Glass, back painted, color	+6,875
CS01	Corian Glacier White	+7,667
QS __	Caesarstone	+17,174

Step 4. Power & Connectivity Access: Optional

TMHW	Tabletop, Metal lid, Hardwired, Qty 3	+5,994
TMPI	Tabletop, Metal lid, Plug In, Qty 3	+5,247
UMHW	Undermount, Hardwired, Qty 6	+5,340
UMPI	Undermount, Plug In, Qty 6	+3,864

Step 5. Microphone and/or Grommet Accommodations: Optional

MA __	Microphone hole (factory cut)	Qty __ x 321 each
GM __	2" Grommet Hole (factory cut), liner, lid, in matching metal finish	Qty __ x 423 each

Wire Management Column (sold separately)

Required with any technology selection

Pattern Number: 02WMC6X6	508
Pattern Number: 02WMC10X10	1,065

Step 1. Metal Finish for Wire Management Column

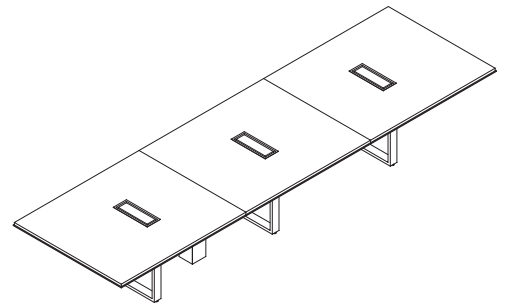
		6x6	10x10
MC __	Powder Coat	+0	+0
PM01	Polished Chrome	+749	+428
PM02	Satin Nickel	+749	+428
PM03	Oil Rubbed Bronze	+749	+428

Please consult [page 7](#) for the palette of DatesWeiser finishes. Natural stone, non-standard glass and veneer, and other technology options are available. Please email customerservice@datesweiser.com for a custom quote. Consult technical information on [page 280](#) for construction and technical details.

Highline Rectangular Conference Table

48"x168"/ 12 Person

02R48X168



Starting Price: \$17,064

48x168 table, veneer Tier 1 top with metal edge, open base, powder coat metal finish

Pattern Number: 02R48X168

Step 1. Top Material

V	Veneer
G	Glass
C	Corian
Q	Caesarstone

Step 2. Metal Finish

MC __	Powder Coat	+0
PM01	Polished Chrome	+444
PM02	Satin Nickel	+444
PM03	Oil Rubbed Bronze	+444

Step 3. Top Finish

T1 __	Veneer Tier 1	+0
T2 __	Veneer Tier 2	+1,215
T3 __	Veneer Tier 3	+3,654
GC01	Clear Glass, back painted, white	+3,860
GC __	Clear Glass, back painted, color	+6,185
GE01	Etched matte Glass, back painted, white	+4,886
GE __	Etched matte Glass, back painted, color	+7,325
CS01	Corian Glacier White	+8,261
QS __	Caesarstone	+18,390

Step 4. Power & Connectivity Access: Optional

TMHW	Tabletop, Metal lid, Hardwired, Qty 3	+5,994
TMPI	Tabletop, Metal lid, Plug In, Qty 3	+5,247
UMHW	Undermount, Hardwired, Qty 6	+5,340
UMPI	Undermount, Plug In, Qty 6	+3,864

Step 5. Microphone and/or Grommet Accommodations: Optional

MA __	Microphone hole (factory cut)	Qty __ x 321 each
GM __	2" Grommet Hole (factory cut), liner, lid, in matching metal finish	Qty __ x 423 each

Wire Management Column (sold separately)

Required with any technology selection

Pattern Number: 02WMC6X6	508
Pattern Number: 02WMC10X10	1,065

Step 1. Metal Finish for Wire Management Column

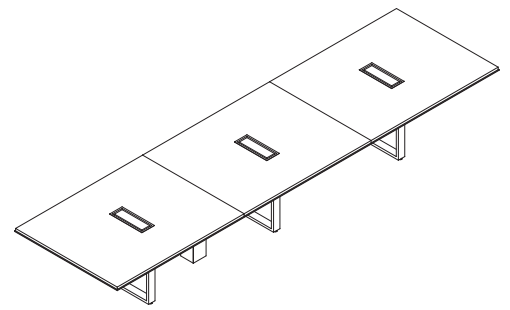
		6x6	10x10
MC __	Powder Coat	+0	+0
PM01	Polished Chrome	+749	+428
PM02	Satin Nickel	+749	+428
PM03	Oil Rubbed Bronze	+749	+428

Please consult [page 7](#) for the palette of DatesWeiser finishes. Natural stone, non-standard glass and veneer, and other technology options are available. Please email customerservice@datesweiser.com for a custom quote. Consult technical information on [page 280](#) for construction and technical details.

Highline Rectangular Conference Table

48"x180"/ 14 Person

02R48X180



Starting Price: \$17,527

48x180 table, veneer Tier 1 top with metal edge, open base, powder coat metal finish

Pattern Number: 02R48X180

Step 1. Top Material

V	Veneer
G	Glass
C	Corian
Q	Caesarstone

Step 2. Metal Finish

MC __	Powder Coat	+0
PM01	Polished Chrome	+444
PM02	Satin Nickel	+444
PM03	Oil Rubbed Bronze	+444

Step 3. Top Finish

T1 __	Veneer Tier 1	+0
T2 __	Veneer Tier 2	+1,305
T3 __	Veneer Tier 3	+3,916
GC01	Clear Glass, back painted, white	+4,063
GC __	Clear Glass, back painted, color	+6,462
GE01	Etched matte Glass, back painted, white	+5,167
GE __	Etched matte Glass, back painted, color	+7,688
CS01	Corian Glacier White	+8,645
QS __	Caesarstone	+19,114

Step 4. Power & Connectivity Access: Optional

TMHW	Tabletop, Metal lid, Hardwired, Qty 3	+5,994
TMPI	Tabletop, Metal lid, Plug In, Qty 3	+5,247
UMHW	Undermount, Hardwired, Qty 8	+7,120
UMPI	Undermount, Plug In, Qty 8	+5,152

Step 5. Microphone and/or Grommet Accommodations: Optional

MA __	Microphone hole (factory cut)	Qty __ x 321 each
GM __	2" Grommet Hole (factory cut), liner, lid, in matching metal finish	Qty __ x 423 each

Wire Management Column (sold separately)

Required with any technology selection

Pattern Number: 02WMC6X6	508
Pattern Number: 02WMC10X10	1,065

Step 1. Metal Finish for Wire Management Column

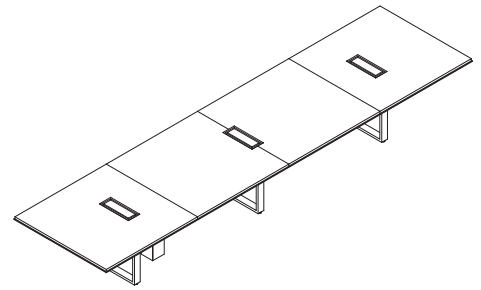
		6x6	10x10
MC __	Powder Coat	+0	+0
PM01	Polished Chrome	+749	+428
PM02	Satin Nickel	+749	+428
PM03	Oil Rubbed Bronze	+749	+428

Please consult [page 7](#) for the palette of DatesWeiser finishes. Natural stone, non-standard glass and veneer, and other technology options are available. Please email customerservice@datesweiser.com for a custom quote. Consult technical information on [page 280](#) for construction and technical details.

Highline Rectangular Conference Table

48"x192"/ 14 Person

02R48X192



Starting Price: **\$19,208**

48x192 table, veneer Tier 1 top with metal edge, open base, powder coat metal finish

Pattern Number: 02R48X192

Step 1. Top Material

V	Veneer
G	Glass
C	Corian
Q	Caesarstone

Step 2. Metal Finish

MC __	Powder Coat	+0
PM01	Polished Chrome	+589
PM02	Satin Nickel	+589
PM03	Oil Rubbed Bronze	+589

Step 3. Top Finish

T1 __	Veneer Tier 1	+0
T2 __	Veneer Tier 2	+1,391
T3 __	Veneer Tier 3	+4,162
GC01	Clear Glass, back painted, white	+4,809
GC __	Clear Glass, back painted, color	+7,479
GE01	Etched matte Glass, back painted, white	+5,951
GE __	Etched matte Glass, back painted, color	+8,747
CS01	Corian Glacier White	+9,772
QS __	Caesarstone	+21,363

Step 4. Power & Connectivity Access: Optional

TMHW	Tabletop, Metal lid, Hardwired, Qty 3	+5,994
TMPI	Tabletop, Metal lid, Plug In, Qty 3	+5,247
UMHW	Undermount, Hardwired, Qty 8	+7,120
UMPI	Undermount, Plug In, Qty 8	+5,152

Step 5. Microphone and/or Grommet Accommodations: Optional

MA __	Microphone hole (factory cut)	Qty __ x 321 each
GM __	2" Grommet Hole (factory cut), liner, lid, in matching metal finish	Qty __ x 423 each

Wire Management Column (sold separately)

Required with any technology selection

Pattern Number: 02WMC6X6	508
Pattern Number: 02WMC10X10	1,065

Step 1. Metal Finish for Wire Management Column

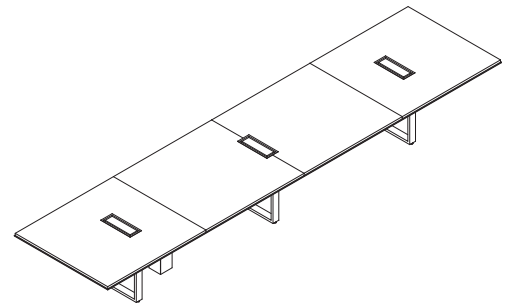
		6x6	10x10
MC __	Powder Coat	+0	+0
PM01	Polished Chrome	+749	+428
PM02	Satin Nickel	+749	+428
PM03	Oil Rubbed Bronze	+749	+428

Please consult [page 7](#) for the palette of DatesWeiser finishes. Natural stone, non-standard glass and veneer, and other technology options are available. Please email customerservice@datesweiser.com for a custom quote. Consult technical information on [page 280](#) for construction and technical details.

Highline Rectangular Conference Table

48"x204"/ 14 Person

02R48X204



Starting Price: **\$19,679**

48x204 table, veneer Tier 1 top with metal edge, open base, powder coat metal finish

Pattern Number: 02R48X204

Step 1. Top Material

V	Veneer
G	Glass
C	Corian
Q	Caesarstone

Step 2. Metal Finish

MC __	Powder Coat	+0
PM01	Polished Chrome	+589
PM02	Satin Nickel	+589
PM03	Oil Rubbed Bronze	+589

Step 3. Top Finish

T1 __	Veneer Tier 1	+0
T2 __	Veneer Tier 2	+1,477
T3 __	Veneer Tier 3	+4,441
GC01	Clear Glass, back painted, white	+4,999
GC __	Clear Glass, back painted, color	+7,742
GE01	Etched matte Glass, back painted, white	+6,217
GE __	Etched matte Glass, back painted, color	+9,095
CS01	Corian Glacier White	+10,203
QS __	Caesarstone	+22,155

Step 4. Power & Connectivity Access: Optional

TMHW	Tabletop, Metal lid, Hardwired, Qty 3	+5,994
TMPI	Tabletop, Metal lid, Plug In, Qty 3	+5,247
UMHW	Undermount, Hardwired, Qty 8	+7,120
UMPI	Undermount, Plug In, Qty 8	+5,152

Step 5. Microphone and/or Grommet Accommodations: Optional

MA __	Microphone hole (factory cut)	Qty __ x 321 each
GM __	2" Grommet Hole (factory cut), liner, lid, in matching metal finish	Qty __ x 423 each

Wire Management Column (sold separately)

Required with any technology selection

Pattern Number: 02WMC6X6	508
Pattern Number: 02WMC10X10	1,065

Step 1. Metal Finish for Wire Management Column

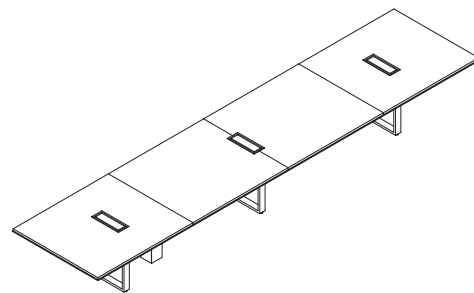
		6x6	10x10
MC __	Powder Coat	+0	+0
PM01	Polished Chrome	+749	+428
PM02	Satin Nickel	+749	+428
PM03	Oil Rubbed Bronze	+749	+428

Please consult [page 7](#) for the palette of DatesWeiser finishes. Natural stone, non-standard glass and veneer, and other technology options are available. Please email customerservice@datesweiser.com for a custom quote. Consult technical information on [page 280](#) for construction and technical details.

Highline Rectangular Conference Table

48"x216"/ 16 Person

02R48X216



Starting Price: **\$20,161**

48x216 table, veneer Tier 1 top with metal edge, open base, powder coat metal finish

Pattern Number: 02R48X216

Step 1. Top Material

V	Veneer
G	Glass
C	Corian
Q	Caesarstone

Step 2. Metal Finish

MC __	Powder Coat	+0
PM01	Polished Chrome	+589
PM02	Satin Nickel	+589
PM03	Oil Rubbed Bronze	+589

Step 3. Top Finish

T1 __	Veneer Tier 1	+0
T2 __	Veneer Tier 2	+1,567
T3 __	Veneer Tier 3	+4,692
GC01	Clear Glass, back painted, white	+4,955
GC __	Clear Glass, back painted, color	+7,747
GE01	Etched matte Glass, back painted, white	+6,241
GE __	Etched matte Glass, back painted, color	+9,175
CS01	Corian Glacier White	+10,347
QS __	Caesarstone	+22,549

Step 4. Power & Connectivity Access: Optional

TMHW	Tabletop, Metal lid, Hardwired, Qty 3	+5,994
TMPI	Tabletop, Metal lid, Plug In, Qty 3	+5,247
UMHW	Undermount, Hardwired, Qty 8	+7,120
UMPI	Undermount, Plug In, Qty 8	+5,152

Step 5. Microphone and/or Grommet Accommodations: Optional

MA __	Microphone hole (factory cut)	Qty __ x 321 each
GM __	2" Grommet Hole (factory cut), liner, lid, in matching metal finish	Qty __ x 423 each

Wire Management Column (sold separately)

Required with any technology selection

Pattern Number: 02WMC6X6	508
Pattern Number: 02WMC10X10	1,065

Step 1. Metal Finish for Wire Management Column

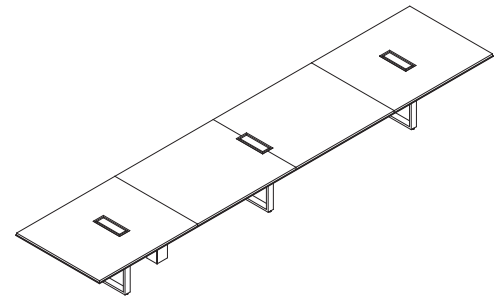
		6x6	10x10
MC __	Powder Coat	+0	+0
PM01	Polished Chrome	+749	+428
PM02	Satin Nickel	+749	+428
PM03	Oil Rubbed Bronze	+749	+428

Please consult [page 7](#) for the palette of DatesWeiser finishes. Natural stone, non-standard glass and veneer, and other technology options are available. Please email customerservice@datesweiser.com for a custom quote. Consult technical information on [page 280](#) for construction and technical details.

Highline Rectangular Conference Table

48"x228"/ 16 Person

02R48X228



Starting Price: **\$20,618**

48x228 table, veneer Tier 1 top with metal edge, open base, powder coat metal finish

Pattern Number: 02R48X228

Step 1. Top Material

V	Veneer
G	Glass
C	Corian
Q	Caesarstone

Step 2. Metal Finish

MC __	Powder Coat	+0
PM01	Polished Chrome	+589
PM02	Satin Nickel	+589
PM03	Oil Rubbed Bronze	+589

Step 3. Top Finish

T1 __	Veneer Tier 1	+0
T2 __	Veneer Tier 2	+1,680
T3 __	Veneer Tier 3	+4,959
GC01	Clear Glass, back painted, white	+5,214
GC __	Clear Glass, back painted, color	+8,084
GE01	Etched matte Glass, back painted, white	+6,581
GE __	Etched matte Glass, back painted, color	+9,603
CS01	Corian Glacier White	+10,818
QS __	Caesarstone	+23,392

Step 4. Power & Connectivity Access: Optional

TMHW	Tabletop, Metal lid, Hardwired, Qty 3	+5,994
TMPI	Tabletop, Metal lid, Plug In, Qty 3	+5,247
UMHW	Undermount, Hardwired, Qty 8	+7,120
UMPI	Undermount, Plug In, Qty 8	+5,152

Step 5. Microphone and/or Grommet Accommodations: Optional

MA __	Microphone hole (factory cut)	Qty __ x 321 each
GM __	2" Grommet Hole (factory cut), liner, lid, in matching metal finish	Qty __ x 423 each

Wire Management Column (sold separately)

Required with any technology selection

Pattern Number: 02WMC6X6	508
Pattern Number: 02WMC10X10	1,065

Step 1. Metal Finish for Wire Management Column

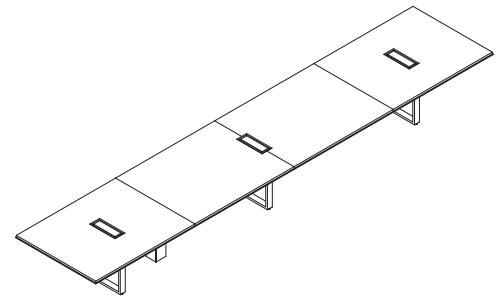
		6x6	10x10
MC __	Powder Coat	+0	+0
PM01	Polished Chrome	+749	+428
PM02	Satin Nickel	+749	+428
PM03	Oil Rubbed Bronze	+749	+428

Please consult [page 7](#) for the palette of DatesWeiser finishes. Natural stone, non-standard glass and veneer, and other technology options are available. Please email customerservice@datesweiser.com for a custom quote. Consult technical information on [page 280](#) for construction and technical details.

Highline Rectangular Conference Table

48"x240" / 18 Person

02R48X240



Starting Price: **\$21,095**

48x240 table, veneer Tier 1 top with metal edge, open base, powder coat metal finish

Pattern Number: 02R48X240

Step 1. Top Material

V	Veneer
G	Glass
C	Corian
Q	Caesarstone

Step 2. Metal Finish

MC __	Powder Coat	+0
PM01	Polished Chrome	+589
PM02	Satin Nickel	+589
PM03	Oil Rubbed Bronze	+589

Step 3. Top Finish

T1 __	Veneer Tier 1	+0
T2 __	Veneer Tier 2	+1,771
T3 __	Veneer Tier 3	+5,206
GC01	Clear Glass, back painted, white	+5,642
GC __	Clear Glass, back painted, color	+8,614
GE01	Etched matte Glass, back painted, white	+7,102
GE __	Etched matte Glass, back painted, color	+10,235
CS01	Corian Glacier White	+11,535
QS __	Caesarstone	+24,585

Step 4. Power & Connectivity Access: Optional

TMHW	Tabletop, Metal lid, Hardwired, Qty 3	+5,994
TMPI	Tabletop, Metal lid, Plug In, Qty 3	+5,247
UMHW	Undermount, Hardwired, Qty 10	+8,900
UMPI	Undermount, Plug In, Qty 10	+6,440

Step 5. Microphone and/or Grommet Accommodations: Optional

MA __	Microphone hole (factory cut)	Qty __ x 321 each
GM __	2" Grommet Hole (factory cut), liner, lid, in matching metal finish	Qty __ x 423 each

Wire Management Column (sold separately)

Required with any technology selection

Pattern Number: 02WMC6X6	508
Pattern Number: 02WMC10X10	1,065

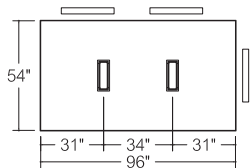
Step 1. Metal Finish for Wire Management Column

		6x6	10x10
MC __	Powder Coat	+0	+0
PM01	Polished Chrome	+749	+428
PM02	Satin Nickel	+749	+428
PM03	Oil Rubbed Bronze	+749	+428

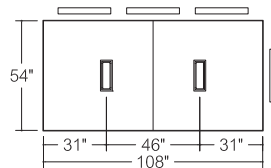
Please consult [page 7](#) for the palette of DatesWeiser finishes. Natural stone, non-standard glass and veneer, and other technology options are available. Please email customerservice@datesweiser.com for a custom quote. Consult technical information on [page 280](#) for construction and technical details.

Highline Rectangular Conference Tables Index

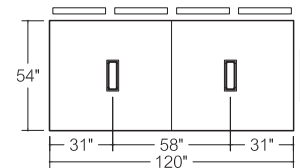
54" width



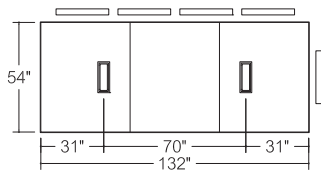
O2R54X96
6 Person Table



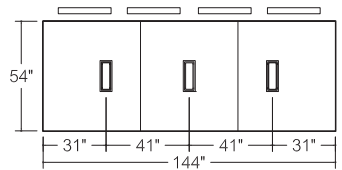
O2R54X108
8 Person Table



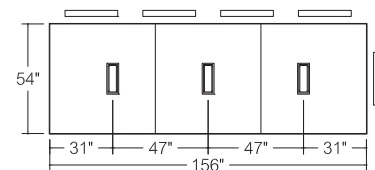
O2R54X120
10 Person Table



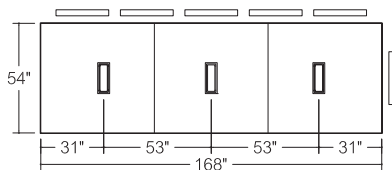
O2R54X132
10 Person Table



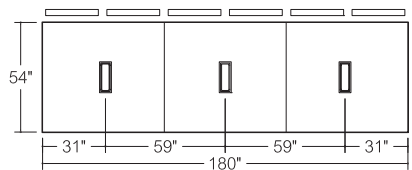
O2R54X144
10 Person Table



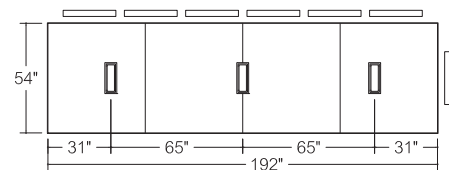
O2R54X156
10 Person Table



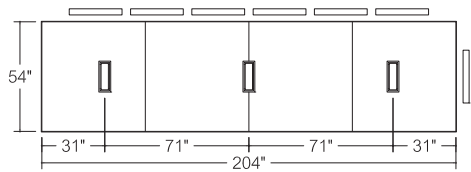
O2R54X168
12 Person Table



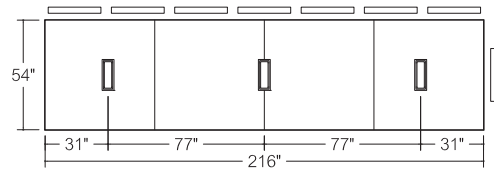
O2R54X180
14 Person Table



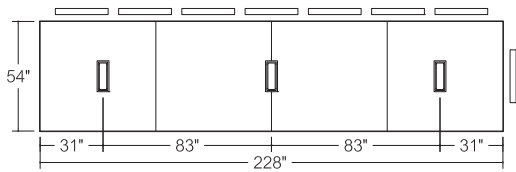
O2R54X192
14 Person Table



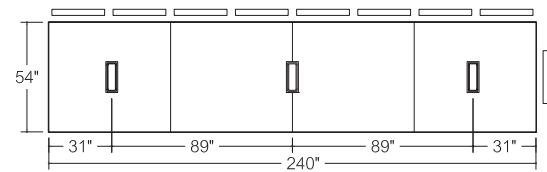
02R54X204
14 Person Table



02R54X216
16 Person Table



02R54X228
16 Person Table

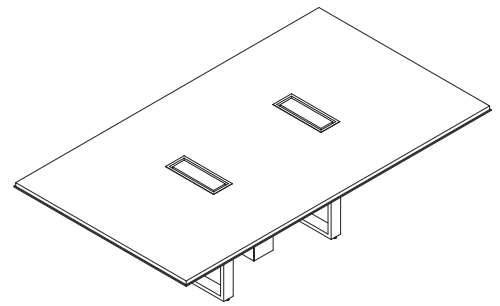


02R54X240
18 Person Table

Highline Rectangular Conference Table

54"x96"/ 6 Person

02R54X96



Starting Price: **\$11,744**

54x96 table, veneer Tier 1 top with metal edge, open base, powder coat metal finish

Pattern Number: 02R54X96

Step 1. Top Material

V	Veneer
G	Glass
C	Corian
Q	Caesarstone

Step 2. Metal Finish

MC __	Powder Coat	+0
PM01	Polished Chrome	+294
PM02	Satin Nickel	+294
PM03	Oil Rubbed Bronze	+294

Step 3. Top Finish

T1 __	Veneer Tier 1	+0
T2 __	Veneer Tier 2	+789
T3 __	Veneer Tier 3	+2,336
GC01	Clear Glass, back painted, white	+1,351
GC __	Clear Glass, back painted, color	+2,805
GE01	Etched matte Glass, back painted, white	+2,006
GE __	Etched matte Glass, back painted, color	+3,533
CS01	Corian Glacier White	+4,087
QS __	Caesarstone	+10,420

Step 4. Power & Connectivity Access: Optional

TMHW	Tabletop, Metal lid, Hardwired, Qty 2	+3,996
TMPI	Tabletop, Metal lid, Plug In, Qty 2	+3,498
UMHW	Undermount, Hardwired, Qty 4	+3,560
UMPI	Undermount, Plug In, Qty 4	+2,576

Step 5. Microphone and/or Grommet Accommodations: Optional

MA __	Microphone hole (factory cut)	Qty __ x 321 each
GM __	2" Grommet Hole (factory cut), liner, lid, in matching metal finish	Qty __ x 423 each

Wire Management Column (sold separately)

Required with any technology selection

Pattern Number: 02WMC6X6	508
Pattern Number: 02WMC10X10	1,065

Step 1. Metal Finish for Wire Management Column

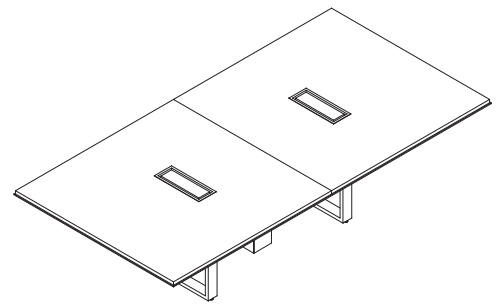
		6x6	10x10
MC __	Powder Coat	+0	+0
PM01	Polished Chrome	+749	+428
PM02	Satin Nickel	+749	+428
PM03	Oil Rubbed Bronze	+749	+428

Please consult [page 7](#) for the palette of DatesWeiser finishes. Natural stone, non-standard glass and veneer, and other technology options are available. Please email customerservice@datesweiser.com for a custom quote. Consult technical information on [page 280](#) for construction and technical details.

Highline Rectangular Conference Table

54"x108"/ 8 Person

02R54X108



Starting Price: **\$12,724**

54x108 table, veneer Tier 1 top with metal edge, open base, powder coat metal finish

Pattern Number: 02R54X108

Step 1. Top Material

V	Veneer
G	Glass
C	Corian
Q	Caesarstone

Step 2. Metal Finish

MC __	Powder Coat	+0
PM01	Polished Chrome	+294
PM02	Satin Nickel	+294
PM03	Oil Rubbed Bronze	+294

Step 3. Top Finish

T1 __	Veneer Tier 1	+0
T2 __	Veneer Tier 2	+885
T3 __	Veneer Tier 3	+2,637
GC01	Clear Glass, back painted, white	+1,984
GC __	Clear Glass, back painted, color	+3,618
GE01	Etched matte Glass, back painted, white	+2,736
GE __	Etched matte Glass, back painted, color	+4,455
CS01	Corian Glacier White	+5,087
QS __	Caesarstone	+12,211

Step 4. Power & Connectivity Access: Optional

TMHW	Tabletop, Metal lid, Hardwired, Qty 2	+3,996
TMPI	Tabletop, Metal lid, Plug In, Qty 2	+3,498
UMHW	Undermount, Hardwired, Qty 4	+3,560
UMPI	Undermount, Plug In, Qty 4	+2,576

Step 5. Microphone and/or Grommet Accommodations: Optional

MA __	Microphone hole (factory cut)	Qty __ x 321 each
GM __	2" Grommet Hole (factory cut), liner, lid, in matching metal finish	Qty __ x 423 each

Wire Management Column (sold separately)

Required with any technology selection

Pattern Number: 02WMC6X6	508
Pattern Number: 02WMC10X10	1,065

Step 1. Metal Finish for Wire Management Column

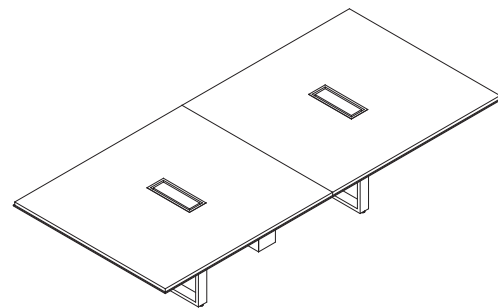
		6x6	10x10
MC __	Powder Coat	+0	+0
PM01	Polished Chrome	+749	+428
PM02	Satin Nickel	+749	+428
PM03	Oil Rubbed Bronze	+749	+428

Please consult [page 7](#) for the palette of DatesWeiser finishes. Natural stone, non-standard glass and veneer, and other technology options are available. Please email customerservice@datesweiser.com for a custom quote. Consult technical information on [page 280](#) for construction and technical details.

Highline Rectangular Conference Table

54"x120"/ 10 Person

02R54X120



Starting Price: **\$13,711**

54x120 table, veneer Tier 1 top with metal edge, open base, powder coat metal finish

Pattern Number: 02R54X120

Step 1. Top Material

V	Veneer
G	Glass
C	Corian
Q	Caesarstone

Step 2. Metal Finish

MC __	Powder Coat	+0
PM01	Polished Chrome	+294
PM02	Satin Nickel	+294
PM03	Oil Rubbed Bronze	+294

Step 3. Top Finish

T1 __	Veneer Tier 1	+0
T2 __	Veneer Tier 2	+987
T3 __	Veneer Tier 3	+2,925
GC01	Clear Glass, back painted, white	+2,659
GC __	Clear Glass, back painted, color	+4,478
GE01	Etched matte Glass, back painted, white	+3,460
GE __	Etched matte Glass, back painted, color	+5,368
CS01	Corian Glacier White	+6,055
QS __	Caesarstone	+13,961

Step 4. Power & Connectivity Access: Optional

TMHW	Tabletop, Metal lid, Hardwired, Qty 2	+3,996
TMPI	Tabletop, Metal lid, Plug In, Qty 2	+3,498
UMHW	Undermount, Hardwired, Qty 6	+5,340
UMPI	Undermount, Plug In, Qty 6	+3,864

Step 5. Microphone and/or Grommet Accommodations: Optional

MA __	Microphone hole (factory cut)	Qty __ x 321 each
GM __	2" Grommet Hole (factory cut), liner, lid, in matching metal finish	Qty __ x 423 each

Wire Management Column (sold separately)

Required with any technology selection

Pattern Number: 02WMC6X6	508
Pattern Number: 02WMC10X10	1,065

Step 1. Metal Finish for Wire Management Column

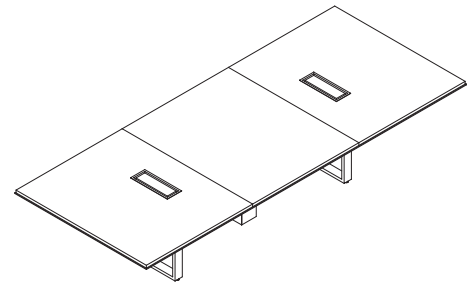
		6x6	10x10
MC __	Powder Coat	+0	+0
PM01	Polished Chrome	+749	+428
PM02	Satin Nickel	+749	+428
PM03	Oil Rubbed Bronze	+749	+428

Please consult [page 7](#) for the palette of DatesWeiser finishes. Natural stone, non-standard glass and veneer, and other technology options are available. Please email customerservice@datesweiser.com for a custom quote. Consult technical information on [page 280](#) for construction and technical details.

Highline Rectangular Conference Table

54"x132"/ 10 Person

02R54X132



Starting Price: **\$16,820**

54x132 table, veneer Tier 1 top with metal edge, open base, powder coat metal finish

Pattern Number: 02R54X132

Step 1. Top Material

V	Veneer
G	Glass
C	Corian
Q	Caesarstone

Step 2. Metal Finish

MC __	Powder Coat	+0
PM01	Polished Chrome	+444
PM02	Satin Nickel	+444
PM03	Oil Rubbed Bronze	+444

Step 3. Top Finish

T1 __	Veneer Tier 1	+0
T2 __	Veneer Tier 2	+1,071
T3 __	Veneer Tier 3	+3,221
GC01	Clear Glass, back painted, white	+3,232
GC __	Clear Glass, back painted, color	+5,460
GE01	Etched matte Glass, back painted, white	+4,141
GE __	Etched matte Glass, back painted, color	+6,471
CS01	Corian Glacier White	+7,218
QS __	Caesarstone	+16,832

Step 4. Power & Connectivity Access: Optional

TMHW	Tabletop, Metal lid, Hardwired, Qty 2	+3,996
TMPI	Tabletop, Metal lid, Plug In, Qty 2	+3,498
UMHW	Undermount, Hardwired, Qty 6	+5,340
UMPI	Undermount, Plug In, Qty 6	+3,864

Step 5. Microphone and/or Grommet Accommodations: Optional

MA __	Microphone hole (factory cut)	Qty __ x 321 each
GM __	2" Grommet Hole (factory cut), liner, lid, in matching metal finish	Qty __ x 423 each

Wire Management Column (sold separately)

Required with any technology selection

Pattern Number: 02WMC6X6	508
Pattern Number: 02WMC10X10	1,065

Step 1. Metal Finish for Wire Management Column

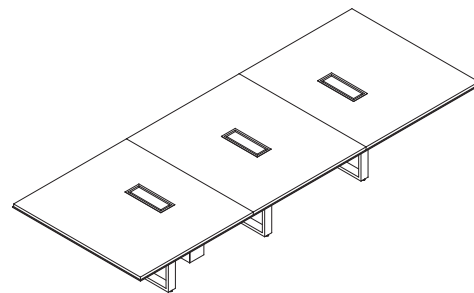
		6x6	10x10
MC __	Powder Coat	+0	+0
PM01	Polished Chrome	+749	+428
PM02	Satin Nickel	+749	+428
PM03	Oil Rubbed Bronze	+749	+428

Please consult [page 7](#) for the palette of DatesWeiser finishes. Natural stone, non-standard glass and veneer, and other technology options are available. Please email customerservice@datesweiser.com for a custom quote. Consult technical information on [page 280](#) for construction and technical details.

Highline Rectangular Conference Table

54"x144"/ 10 Person

02R54X144



Starting Price: **\$17,698**

54x144 table, veneer Tier 1 top with metal edge, open base, powder coat metal finish

Pattern Number: 02R54X144

Step 1. Top Material

V	Veneer
G	Glass
C	Corian
Q	Caesarstone

Step 2. Metal Finish

MC __	Powder Coat	+0
PM01	Polished Chrome	+444
PM02	Satin Nickel	+444
PM03	Oil Rubbed Bronze	+444

Step 3. Top Finish

T1 __	Veneer Tier 1	+0
T2 __	Veneer Tier 2	+1,120
T3 __	Veneer Tier 3	+3,461
GC01	Clear Glass, back painted, white	+3,750
GC __	Clear Glass, back painted, color	+6,133
GE01	Etched matte Glass, back painted, white	+4,758
GE __	Etched matte Glass, back painted, color	+7,252
CS01	Corian Glacier White	+8,114
QS __	Caesarstone	+18,438

Step 4. Power & Connectivity Access: Optional

TMHW	Tabletop, Metal lid, Hardwired, Qty 3	+5,994
TMPI	Tabletop, Metal lid, Plug In, Qty 3	+5,247
UMHW	Undermount, Hardwired, Qty 6	+5,340
UMPI	Undermount, Plug In, Qty 6	+3,864

Step 5. Microphone and/or Grommet Accommodations: Optional

MA __	Microphone hole (factory cut)	Qty __ x 321 each
GM __	2" Grommet Hole (factory cut), liner, lid, in matching metal finish	Qty __ x 423 each

Wire Management Column (sold separately)

Required with any technology selection

Pattern Number: 02WMC6X6	508
Pattern Number: 02WMC10X10	1,065

Step 1. Metal Finish for Wire Management Column

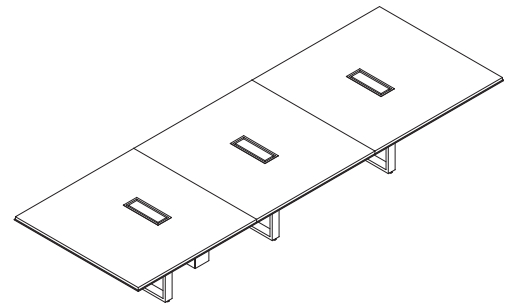
		6x6	10x10
MC __	Powder Coat	+0	+0
PM01	Polished Chrome	+749	+428
PM02	Satin Nickel	+749	+428
PM03	Oil Rubbed Bronze	+749	+428

Please consult [page 7](#) for the palette of DatesWeiser finishes. Natural stone, non-standard glass and veneer, and other technology options are available. Please email customerservice@datesweiser.com for a custom quote. Consult technical information on [page 280](#) for construction and technical details.

Highline Rectangular Conference Table

54"x156"/ 10 Person

02R54X156



Starting Price: \$18,164

54x156 table, veneer Tier 1 top with metal edge, open base, powder coat metal finish

Pattern Number: 02R54X156

Step 1. Top Material

V	Veneer
G	Glass
C	Corian
Q	Caesarstone

Step 2. Metal Finish

MC __	Powder Coat	+0
PM01	Polished Chrome	+444
PM02	Satin Nickel	+444
PM03	Oil Rubbed Bronze	+444

Step 3. Top Finish

T1 __	Veneer Tier 1	+0
T2 __	Veneer Tier 2	+1,270
T3 __	Veneer Tier 3	+3,804
GC01	Clear Glass, back painted, white	+4,050
GC __	Clear Glass, back painted, color	+6,519
GE01	Etched matte Glass, back painted, white	+5,144
GE __	Etched matte Glass, back painted, color	+7,734
CS01	Corian Glacier White	+8,625
QS __	Caesarstone	+19,341

Step 4. Power & Connectivity Access: Optional

TMHW	Tabletop, Metal lid, Hardwired, Qty 3	+5,994
TMPI	Tabletop, Metal lid, Plug In, Qty 3	+5,247
UMHW	Undermount, Hardwired, Qty 6	+5,340
UMPI	Undermount, Plug In, Qty 6	+3,864

Step 5. Microphone and/or Grommet Accommodations: Optional

MA __	Microphone hole (factory cut)	Qty __ x 321 each
GM __	2" Grommet Hole (factory cut), liner, lid, in matching metal finish	Qty __ x 423 each

Wire Management Column (sold separately)

Required with any technology selection

Pattern Number: 02WMC6X6	508
Pattern Number: 02WMC10X10	1,065

Step 1. Metal Finish for Wire Management Column

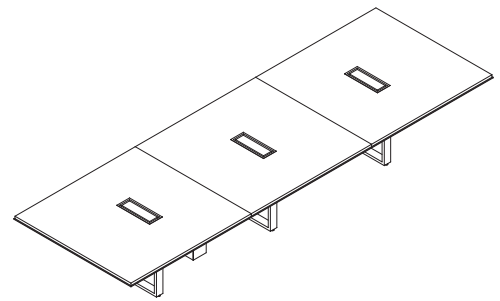
		6x6	10x10
MC __	Powder Coat	+0	+0
PM01	Polished Chrome	+749	+428
PM02	Satin Nickel	+749	+428
PM03	Oil Rubbed Bronze	+749	+428

Please consult [page 7](#) for the palette of DatesWeiser finishes. Natural stone, non-standard glass and veneer, and other technology options are available. Please email customerservice@datesweiser.com for a custom quote. Consult technical information on [page 280](#) for construction and technical details.

Highline Rectangular Conference Table

54"x168"/ 12 Person

02R54X168



Starting Price: **\$19,247**

54x168 table, veneer Tier 1 top with metal edge, open base, powder coat metal finish

Pattern Number: 02R54X168

Step 1. Top Material

V	Veneer
G	Glass
C	Corian
Q	Caesarstone

Step 2. Metal Finish

MC __	Powder Coat	+0
PM01	Polished Chrome	+444
PM02	Satin Nickel	+444
PM03	Oil Rubbed Bronze	+444

Step 3. Top Finish

T1 __	Veneer Tier 1	+0
T2 __	Veneer Tier 2	+1,367
T3 __	Veneer Tier 3	+4,111
GC01	Clear Glass, back painted, white	+4,338
GC __	Clear Glass, back painted, color	+6,958
GE01	Etched matte Glass, back painted, white	+5,491
GE __	Etched matte Glass, back painted, color	+8,240
CS01	Corian Glacier White	+9,293
QS __	Caesarstone	+20,709

Step 4. Power & Connectivity Access: Optional

TMHW	Tabletop, Metal lid, Hardwired, Qty 3	+5,994
TMPI	Tabletop, Metal lid, Plug In, Qty 3	+5,247
UMHW	Undermount, Hardwired, Qty 6	+5,340
UMPI	Undermount, Plug In, Qty 6	+3,864

Step 5. Microphone and/or Grommet Accommodations: Optional

MA __	Microphone hole (factory cut)	Qty __ x 321 each
GM __	2" Grommet Hole (factory cut), liner, lid, in matching metal finish	Qty __ x 423 each

Wire Management Column (sold separately)

Required with any technology selection

Pattern Number: 02WMC6X6	508
Pattern Number: 02WMC10X10	1,065

Step 1. Metal Finish for Wire Management Column

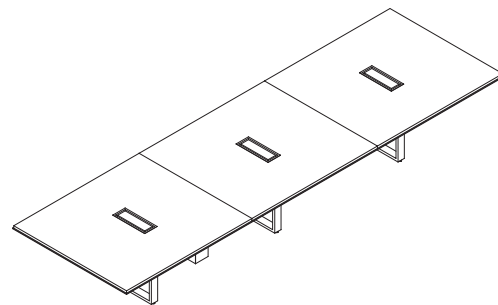
		6x6	10x10
MC __	Powder Coat	+0	+0
PM01	Polished Chrome	+749	+428
PM02	Satin Nickel	+749	+428
PM03	Oil Rubbed Bronze	+749	+428

Please consult [page 7](#) for the palette of DatesWeiser finishes. Natural stone, non-standard glass and veneer, and other technology options are available. Please email customerservice@datesweiser.com for a custom quote. Consult technical information on [page 280](#) for construction and technical details.

Highline Rectangular Conference Table

54"x180"/ 14 Person

02R54X180



Starting Price: **\$19,767**

54x180 table, veneer Tier 1 top with metal edge, open base, powder coat metal finish

Pattern Number: 02R54X180

Step 1. Top Material

V	Veneer
G	Glass
C	Corian
Q	Caesarstone

Step 2. Metal Finish

MC __	Powder Coat	+0
PM01	Polished Chrome	+444
PM02	Satin Nickel	+444
PM03	Oil Rubbed Bronze	+444

Step 3. Top Finish

T1 __	Veneer Tier 1	+0
T2 __	Veneer Tier 2	+1,469
T3 __	Veneer Tier 3	+4,406
GC01	Clear Glass, back painted, white	+4,567
GC __	Clear Glass, back painted, color	+7,271
GE01	Etched matte Glass, back painted, white	+5,808
GE __	Etched matte Glass, back painted, color	+8,649
CS01	Corian Glacier White	+9,726
QS __	Caesarstone	+21,524

Step 4. Power & Connectivity Access: Optional

TMHW	Tabletop, Metal lid, Hardwired, Qty 3	+5,994
TMPI	Tabletop, Metal lid, Plug In, Qty 3	+5,247
UMHW	Undermount, Hardwired, Qty 8	+7,120
UMPI	Undermount, Plug In, Qty 8	+5,152

Step 5. Microphone and/or Grommet Accommodations: Optional

MA __	Microphone hole (factory cut)	Qty __ x 321 each
GM __	2" Grommet Hole (factory cut), liner, lid, in matching metal finish	Qty __ x 423 each

Wire Management Column (sold separately)

Required with any technology selection

Pattern Number: 02WMC6X6	508
Pattern Number: 02WMC10X10	1,065

Step 1. Metal Finish for Wire Management Column

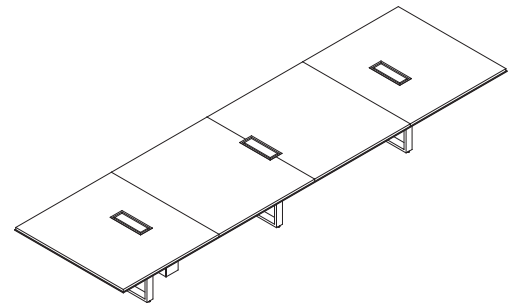
		6x6	10x10
MC __	Powder Coat	+0	+0
PM01	Polished Chrome	+749	+428
PM02	Satin Nickel	+749	+428
PM03	Oil Rubbed Bronze	+749	+428

Please consult [page 7](#) for the palette of DatesWeiser finishes. Natural stone, non-standard glass and veneer, and other technology options are available. Please email customerservice@datesweiser.com for a custom quote. Consult technical information on [page 280](#) for construction and technical details.

Highline Rectangular Conference Table

54"x192"/ 14 Person

02R54X192



Starting Price: **\$21,674**

54x192 table, veneer Tier 1 top with metal edge, open base, powder coat metal finish

Pattern Number: 02R54X192

Step 1. Top Material

V	Veneer
G	Glass
C	Corian
Q	Caesarstone

Step 2. Metal Finish

MC __	Powder Coat	+0
PM01	Polished Chrome	+589
PM02	Satin Nickel	+589
PM03	Oil Rubbed Bronze	+589

Step 3. Top Finish

T1 __	Veneer Tier 1	+0
T2 __	Veneer Tier 2	+1,565
T3 __	Veneer Tier 3	+4,682
GC01	Clear Glass, back painted, white	+5,406
GC __	Clear Glass, back painted, color	+8,414
GE01	Etched matte Glass, back painted, white	+6,690
GE __	Etched matte Glass, back painted, color	+9,841
CS01	Corian Glacier White	+10,994
QS __	Caesarstone	+24,061

Step 4. Power & Connectivity Access: Optional

TMHW	Tabletop, Metal lid, Hardwired, Qty 3	+5,994
TMPI	Tabletop, Metal lid, Plug In, Qty 3	+5,247
UMHW	Undermount, Hardwired, Qty 8	+7,120
UMPI	Undermount, Plug In, Qty 8	+5,152

Step 5. Microphone and/or Grommet Accommodations: Optional

MA __	Microphone hole (factory cut)	Qty __ x 321 each
GM __	2" Grommet Hole (factory cut), liner, lid, in matching metal finish	Qty __ x 423 each

Wire Management Column (sold separately)

Required with any technology selection

Pattern Number: 02WMC6X6	508
Pattern Number: 02WMC10X10	1,065

Step 1. Metal Finish for Wire Management Column

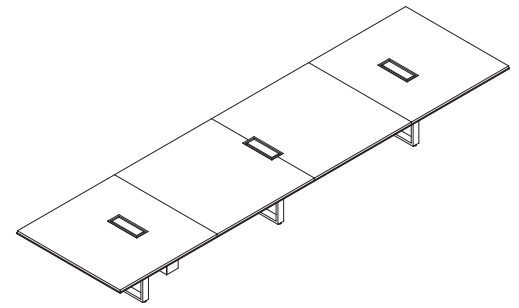
		6x6	10x10
MC __	Powder Coat	+0	+0
PM01	Polished Chrome	+749	+428
PM02	Satin Nickel	+749	+428
PM03	Oil Rubbed Bronze	+749	+428

Please consult [page 7](#) for the palette of DatesWeiser finishes. Natural stone, non-standard glass and veneer, and other technology options are available. Please email customerservice@datesweiser.com for a custom quote. Consult technical information on [page 280](#) for construction and technical details.

Highline Rectangular Conference Table

54"x204"/ 14 Person

02R54X204



Starting Price: **\$22,205**

54x204 table, veneer Tier 1 top with metal edge, open base, powder coat metal finish

Pattern Number: 02R54X204

Step 1. Top Material

V	Veneer
G	Glass
C	Corian
Q	Caesarstone

Step 2. Metal Finish

MC __	Powder Coat	+0
PM01	Polished Chrome	+589
PM02	Satin Nickel	+589
PM03	Oil Rubbed Bronze	+589

Step 3. Top Finish

T1 __	Veneer Tier 1	+0
T2 __	Veneer Tier 2	+1,661
T3 __	Veneer Tier 3	+4,995
GC01	Clear Glass, back painted, white	+5,618
GC __	Clear Glass, back painted, color	+8,709
GE01	Etched matte Glass, back painted, white	+6,988
GE __	Etched matte Glass, back painted, color	+10,232
CS01	Corian Glacier White	+11,478
QS __	Caesarstone	+24,951

Step 4. Power & Connectivity Access: Optional

TMHW	Tabletop, Metal lid, Hardwired, Qty 3	+5,994
TMPI	Tabletop, Metal lid, Plug In, Qty 3	+5,247
UMHW	Undermount, Hardwired, Qty 8	+7,120
UMPI	Undermount, Plug In, Qty 8	+5,152

Step 5. Microphone and/or Grommet Accommodations: Optional

MA __	Microphone hole (factory cut)	Qty __ x 321 each
GM __	2" Grommet Hole (factory cut), liner, lid, in matching metal finish	Qty __ x 423 each

Wire Management Column (sold separately)

Required with any technology selection

Pattern Number: 02WMC6X6	508
Pattern Number: 02WMC10X10	1,065

Step 1. Metal Finish for Wire Management Column

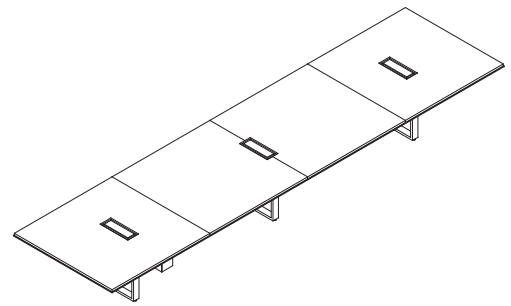
		6x6	10x10
MC __	Powder Coat	+0	+0
PM01	Polished Chrome	+749	+428
PM02	Satin Nickel	+749	+428
PM03	Oil Rubbed Bronze	+749	+428

Please consult [page 7](#) for the palette of DatesWeiser finishes. Natural stone, non-standard glass and veneer, and other technology options are available. Please email customerservice@datesweiser.com for a custom quote. Consult technical information on [page 280](#) for construction and technical details.

Highline Rectangular Conference Table

54"x216"/ 16 Person

02R54X216



Starting Price: **\$22,747**

54x216 table, veneer Tier 1 top with metal edge, open base, powder coat metal finish

Pattern Number: 02R54X216

Step 1. Top Material

V	Veneer
G	Glass
C	Corian
Q	Caesarstone

Step 2. Metal Finish

MC __	Powder Coat	+0
PM01	Polished Chrome	+589
PM02	Satin Nickel	+589
PM03	Oil Rubbed Bronze	+589

Step 3. Top Finish

T1 __	Veneer Tier 1	+0
T2 __	Veneer Tier 2	+1,763
T3 __	Veneer Tier 3	+5,278
GC01	Clear Glass, back painted, white	+5,568
GC __	Clear Glass, back painted, color	+8,715
GE01	Etched matte Glass, back painted, white	+7,015
GE __	Etched matte Glass, back painted, color	+10,321
CS01	Corian Glacier White	+11,640
QS __	Caesarstone	+25,394

Step 4. Power & Connectivity Access: Optional

TMHW	Tabletop, Metal lid, Hardwired, Qty 3	+5,994
TMPI	Tabletop, Metal lid, Plug In, Qty 3	+5,247
UMHW	Undermount, Hardwired, Qty 8	+7,120
UMPI	Undermount, Plug In, Qty 8	+5,152

Step 5. Microphone and/or Grommet Accommodations: Optional

MA __	Microphone hole (factory cut)	Qty __ x 321 each
GM __	2" Grommet Hole (factory cut), liner, lid, in matching metal finish	Qty __ x 423 each

Wire Management Column (sold separately)

Required with any technology selection

Pattern Number: 02WMC6X6	508
Pattern Number: 02WMC10X10	1,065

Step 1. Metal Finish for Wire Management Column

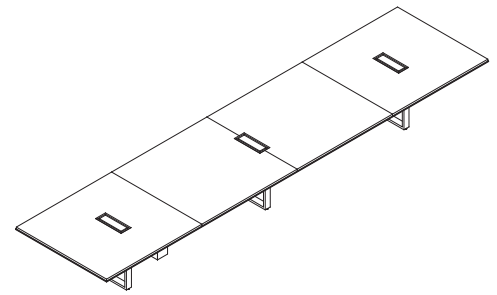
		6x6	10x10
MC __	Powder Coat	+0	+0
PM01	Polished Chrome	+749	+428
PM02	Satin Nickel	+749	+428
PM03	Oil Rubbed Bronze	+749	+428

Please consult [page 7](#) for the palette of DatesWeiser finishes. Natural stone, non-standard glass and veneer, and other technology options are available. Please email customerservice@datesweiser.com for a custom quote. Consult technical information on [page 280](#) for construction and technical details.

Highline Rectangular Conference Table

54"x228"/ 16 Person

02R54X228



Starting Price: **\$23,262**

54x228 table, veneer Tier 1 top with metal edge, open base, powder coat metal finish

Pattern Number: 02R54X228

Step 1. Top Material

V	Veneer
G	Glass
C	Corian
Q	Caesarstone

Step 2. Metal Finish

MC __	Powder Coat	+0
PM01	Polished Chrome	+589
PM02	Satin Nickel	+589
PM03	Oil Rubbed Bronze	+589

Step 3. Top Finish

T1 __	Veneer Tier 1	+0
T2 __	Veneer Tier 2	+1,889
T3 __	Veneer Tier 3	+5,579
GC01	Clear Glass, back painted, white	+5,858
GC __	Clear Glass, back painted, color	+9,094
GE01	Etched matte Glass, back painted, white	+7,397
GE __	Etched matte Glass, back painted, color	+10,803
CS01	Corian Glacier White	+12,169
QS __	Caesarstone	+26,342

Step 4. Power & Connectivity Access: Optional

TMHW	Tabletop, Metal lid, Hardwired, Qty 3	+5,994
TMPI	Tabletop, Metal lid, Plug In, Qty 3	+5,247
UMHW	Undermount, Hardwired, Qty 8	+7,120
UMPI	Undermount, Plug In, Qty 8	+5,152

Step 5. Microphone and/or Grommet Accommodations: Optional

MA __	Microphone hole (factory cut)	Qty __ x 321 each
GM __	2" Grommet Hole (factory cut), liner, lid, in matching metal finish	Qty __ x 423 each

Wire Management Column (sold separately)

Required with any technology selection

Pattern Number: 02WMC6X6	508
Pattern Number: 02WMC10X10	1,065

Step 1. Metal Finish for Wire Management Column

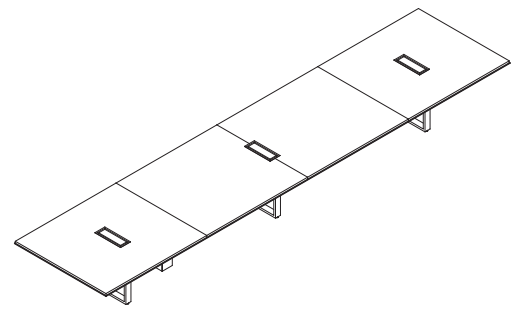
		6x6	10x10
MC __	Powder Coat	+0	+0
PM01	Polished Chrome	+749	+428
PM02	Satin Nickel	+749	+428
PM03	Oil Rubbed Bronze	+749	+428

Please consult [page 7](#) for the palette of DatesWeiser finishes. Natural stone, non-standard glass and veneer, and other technology options are available. Please email customerservice@datesweiser.com for a custom quote. Consult technical information on [page 280](#) for construction and technical details.

Highline Rectangular Conference Table

54"x240"/ 18 Person

02R54X240



Starting Price: **\$23,798**

54x240 table, veneer Tier 1 top with metal edge, open base, powder coat metal finish

Pattern Number: 02R54X240

Step 1. Top Material

V	Veneer
G	Glass
C	Corian
Q	Caesarstone

Step 2. Metal Finish

MC __	Powder Coat	+0
PM01	Polished Chrome	+589
PM02	Satin Nickel	+589
PM03	Oil Rubbed Bronze	+589

Step 3. Top Finish

T1 __	Veneer Tier 1	+0
T2 __	Veneer Tier 2	+1,992
T3 __	Veneer Tier 3	+5,856
GC01	Clear Glass, back painted, white	+6,341
GC __	Clear Glass, back painted, color	+9,690
GE01	Etched matte Glass, back painted, white	+7,982
GE __	Etched matte Glass, back painted, color	+11,513
CS01	Corian Glacier White	+12,976
QS __	Caesarstone	+27,685

Step 4. Power & Connectivity Access: Optional

TMHW	Tabletop, Metal lid, Hardwired, Qty 3	+5,994
TMPI	Tabletop, Metal lid, Plug In, Qty 3	+5,247
UMHW	Undermount, Hardwired, Qty 10	+8,900
UMPI	Undermount, Plug In, Qty 10	+6,440

Step 5. Microphone and/or Grommet Accommodations: Optional

MA __	Microphone hole (factory cut)	Qty __ x 321 each
GM __	2" Grommet Hole (factory cut), liner, lid, in matching metal finish	Qty __ x 423 each

Wire Management Column (sold separately)

Required with any technology selection

Pattern Number: 02WMC6X6	508
Pattern Number: 02WMC10X10	1,065

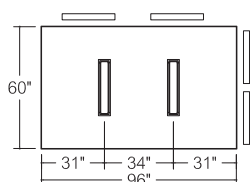
Step 1. Metal Finish for Wire Management Column

		6x6	10x10
MC __	Powder Coat	+0	+0
PM01	Polished Chrome	+749	+428
PM02	Satin Nickel	+749	+428
PM03	Oil Rubbed Bronze	+749	+428

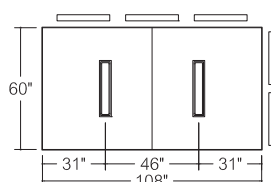
Please consult [page 7](#) for the palette of DatesWeiser finishes. Natural stone, non-standard glass and veneer, and other technology options are available. Please email customerservice@datesweiser.com for a custom quote. Consult technical information on [page 280](#) for construction and technical details.

Highline Rectangular Conference Tables Index

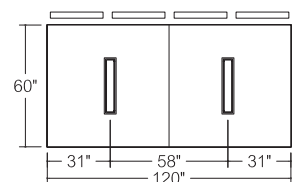
60" width



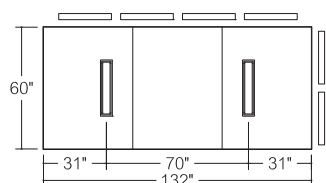
02R60X96
8 Person Table



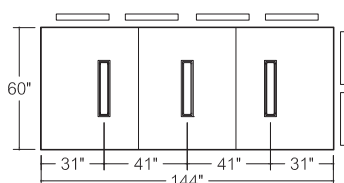
02R60X108
10 Person Table



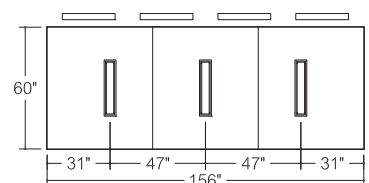
02R60X120
12 Person Table



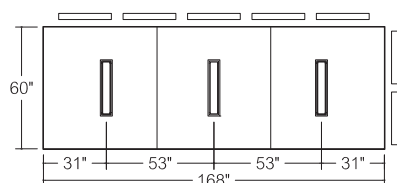
02R60X132
12 Person Table



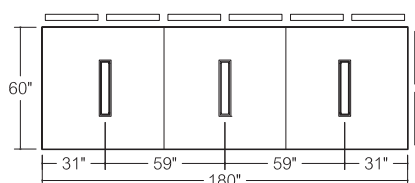
02R60X144
12 Person Table



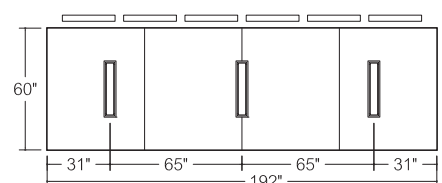
02R60X156
12 Person Table



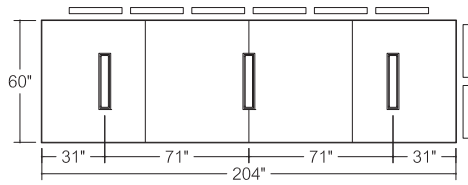
02R60X168
14 Person Table



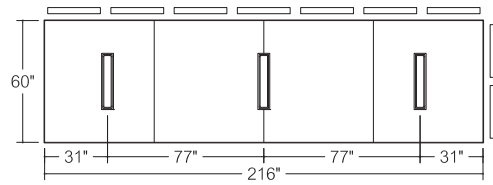
02R60X180
16 Person Table



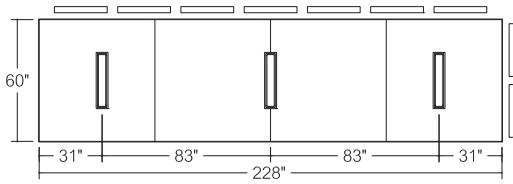
02R60X192
16 Person Table



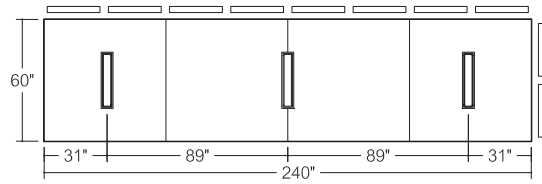
02R60X204
16 Person Table



02R60X216
18 Person Table



02R60X228
18 Person Table

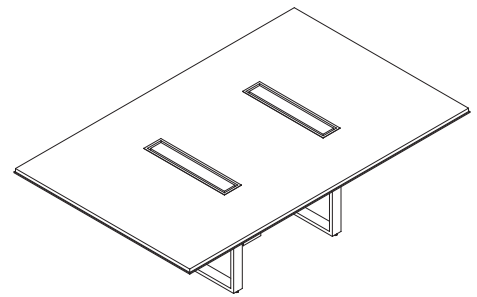


02R60X240
20 Person Table

Highline Rectangular Conference Table

60"x96"/ 8 Person

02R60X96



Starting Price: **\$12,095**

60x96 table, veneer Tier 1 top with metal edge, open base, powder coat metal finish

Pattern Number: 02R60X96

Step 1. Top Material

V	Veneer
G	Glass
C	Corian
Q	Caesarstone

Step 2. Metal Finish

MC __	Powder Coat	+0
PM01	Polished Chrome	+294
PM02	Satin Nickel	+294
PM03	Oil Rubbed Bronze	+294

Step 3. Top Finish

T1 __	Veneer Tier 1	+0
T2 __	Veneer Tier 2	+862
T3 __	Veneer Tier 3	+2,606
GC01	Clear Glass, back painted, white	+1,343
GC __	Clear Glass, back painted, color	+2,836
GE01	Etched matte Glass, back painted, white	+2,060
GE __	Etched matte Glass, back painted, color	+3,633
CS01	Corian Glacier White	+4,275
QS __	Caesarstone	+10,823

Step 4. Power & Connectivity Access: Optional

TMHW	Tabletop, Metal lid, Hardwired, Qty 2	+5,256
TMPI	Tabletop, Metal lid, Plug In, Qty 2	+4,766
UMHW	Undermount, Hardwired, Qty 4	+3,560
UMPI	Undermount, Plug In, Qty 4	+2,576

Step 5. Microphone and/or Grommet Accommodations: Optional

MA __	Microphone hole (factory cut)	Qty __ x 321 each
GM __	2" Grommet Hole (factory cut), liner, lid, in matching metal finish	Qty __ x 423 each

Wire Management Column (sold separately)

Required with any technology selection

Pattern Number: 02WMC6X6	508
Pattern Number: 02WMC10X10	1,065
Pattern Number: 02WMC15X18	1,386

Step 1. Metal Finish for

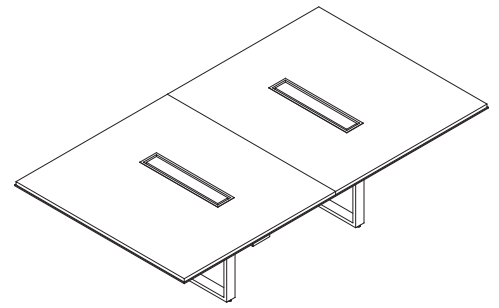
Wire Management Column	6x6	10x10	15x18
MC __ Powder Coat	+0	+0	+0
PM01 Polished Chrome	+749	+428	+684
PM02 Satin Nickel	+749	+428	+684
PM03 Oil Rubbed Bronze	+749	+428	+684

Please consult [page 7](#) for the palette of DatesWeiser finishes. Natural stone, non-standard glass and veneer, and other technology options are available. Please email customerservice@datesweiser.com for a custom quote. Consult technical information on [page 280](#) for construction and technical details.

Highline Rectangular Conference Table

60"x108"/ 10 Person

02R60X108



Starting Price: **\$12,673**

60x108 table, veneer Tier 1 top with metal edge, open base, powder coat metal finish

Pattern Number: 02R60X108

Step 1. Top Material

V	Veneer
G	Glass
C	Corian
Q	Caesarstone

Step 2. Metal Finish

MC __	Powder Coat	+0
PM01	Polished Chrome	+294
PM02	Satin Nickel	+294
PM03	Oil Rubbed Bronze	+294

Step 3. Top Finish

T1 __	Veneer Tier 1	+0
T2 __	Veneer Tier 2	+979
T3 __	Veneer Tier 3	+2,905
GC01	Clear Glass, back painted, white	+2,306
GC __	Clear Glass, back painted, color	+3,970
GE01	Etched matte Glass, back painted, white	+3,100
GE __	Etched matte Glass, back painted, color	+4,853
CS01	Corian Glacier White	+5,607
QS __	Caesarstone	+12,919

Step 4. Power & Connectivity Access: Optional

TMHW	Tabletop, Metal lid, Hardwired, Qty 2	+5,256
TMPI	Tabletop, Metal lid, Plug In, Qty 2	+4,766
UMHW	Undermount, Hardwired, Qty 4	+3,560
UMPI	Undermount, Plug In, Qty 4	+2,576

Step 5. Microphone and/or Grommet Accommodations: Optional

MA __	Microphone hole (factory cut)	Qty __ x 321 each
GM __	2" Grommet Hole (factory cut), liner, lid, in matching metal finish	Qty __ x 423 each

Wire Management Column (sold separately)

Required with any technology selection

Pattern Number: 02WMC6X6	508
Pattern Number: 02WMC10X10	1,065
Pattern Number: 02WMC15X18	1,386

Step 1. Metal Finish for

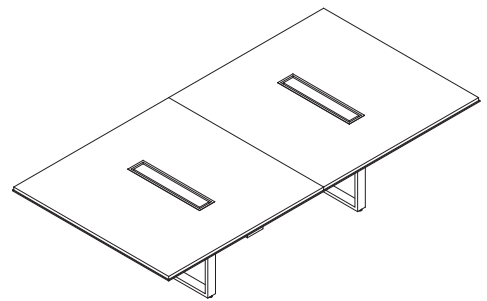
Wire Management Column	6x6	10x10	15x18	
MC __	Powder Coat	+0	+0	+0
PM01	Polished Chrome	+749	+428	+684
PM02	Satin Nickel	+749	+428	+684
PM03	Oil Rubbed Bronze	+749	+428	+684

Please consult [page 7](#) for the palette of DatesWeiser finishes. Natural stone, non-standard glass and veneer, and other technology options are available. Please email customerservice@datesweiser.com for a custom quote. Consult technical information on [page 280](#) for construction and technical details.

Highline Rectangular Conference Table

60"x120"/ 12 Person

02R60X120



Starting Price: **\$13,690**

60x120 table, veneer Tier 1 top with metal edge, open base, powder coat metal finish

Pattern Number: 02R60X120

Step 1. Top Material

V	Veneer
G	Glass
C	Corian
Q	Caesarstone

Step 2. Metal Finish

MC __	Powder Coat	+0
PM01	Polished Chrome	+294
PM02	Satin Nickel	+294
PM03	Oil Rubbed Bronze	+294

Step 3. Top Finish

T1 __	Veneer Tier 1	+0
T2 __	Veneer Tier 2	+1,080
T3 __	Veneer Tier 3	+3,247
GC01	Clear Glass, back painted, white	+2,930
GC __	Clear Glass, back painted, color	+4,777
GE01	Etched matte Glass, back painted, white	+3,816
GE __	Etched matte Glass, back painted, color	+5,762
CS01	Corian Glacier White	+6,580
QS __	Caesarstone	+14,687

Step 4. Power & Connectivity Access: Optional

TMHW	Tabletop, Metal lid, Hardwired, Qty 2	+5,256
TMPI	Tabletop, Metal lid, Plug In, Qty 2	+4,766
UMHW	Undermount, Hardwired, Qty 4	+5,340
UMPI	Undermount, Plug In, Qty 4	+3,864

Step 5. Microphone and/or Grommet Accommodations: Optional

MA __	Microphone hole (factory cut)	Qty __ x 321 each
GM __	2" Grommet Hole (factory cut), liner, lid, in matching metal finish	Qty __ x 423 each

Wire Management Column (sold separately)

Required with any technology selection

Pattern Number: 02WMC6X6	508
Pattern Number: 02WMC10X10	1,065
Pattern Number: 02WMC15X18	1,386

Step 1. Metal Finish for

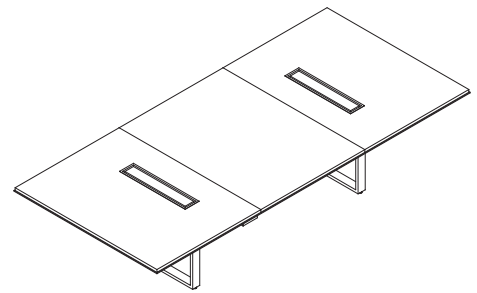
Wire Management Column	6x6	10x10	15x18
MC __ Powder Coat	+0	+0	+0
PM01 Polished Chrome	+749	+428	+684
PM02 Satin Nickel	+749	+428	+684
PM03 Oil Rubbed Bronze	+749	+428	+684

Please consult [page 7](#) for the palette of DatesWeiser finishes. Natural stone, non-standard glass and veneer, and other technology options are available. Please email customerservice@datesweiser.com for a custom quote. Consult technical information on [page 280](#) for construction and technical details.

Highline Rectangular Conference Table

60"x132"/ 12 Person

02R60X132



Starting Price: **\$16,641**

60x132 table, veneer Tier 1 top with metal edge, open base, powder coat metal finish

Pattern Number: 02R60X132

Step 1. Top Material

V	Veneer	
G	Glass	
C	Corian	
Q	Caesarstone	

Step 2. Metal Finish

MC __	Powder Coat	+0
PM01	Polished Chrome	+444
PM02	Satin Nickel	+444
PM03	Oil Rubbed Bronze	+444

Step 3. Top Finish

T1 __	Veneer Tier 1	+0
T2 __	Veneer Tier 2	+1,203
T3 __	Veneer Tier 3	+3,584
GC01	Clear Glass, back painted, white	+3,796
GC __	Clear Glass, back painted, color	+6,067
GE01	Etched matte Glass, back painted, white	+4,807
GE __	Etched matte Glass, back painted, color	+7,190
CS01	Corian Glacier White	+8,083
QS __	Caesarstone	+17,974

Step 4. Power & Connectivity Access: Optional

TMHW	Tabletop, Metal lid, Hardwired, Qty 2	+5,256
TMPI	Tabletop, Metal lid, Plug In, Qty 2	+4,766
UMHW	Undermount, Hardwired, Qty 6	+5,340
UMPI	Undermount, Plug In, Qty 6	+3,864

Step 5. Microphone and/or Grommet Accommodations: Optional

MA __	Microphone hole (factory cut)	Qty __ x 321 each
GM __	2" Grommet Hole (factory cut), liner, lid, in matching metal finish	Qty __ x 423 each

Wire Management Column (sold separately)

Required with any technology selection

Pattern Number: 02WMC6X6	508
Pattern Number: 02WMC10X10	1,065
Pattern Number: 02WMC15X18	1,386

Step 1. Metal Finish for

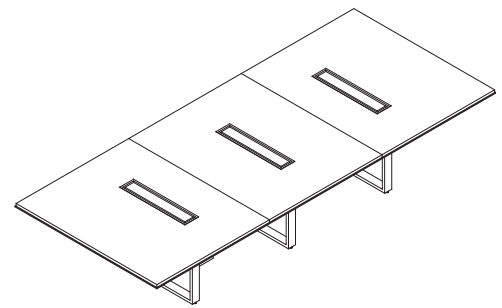
Wire Management Column	6x6	10x10	15x18
MC __ Powder Coat	+0	+0	+0
PM01 Polished Chrome	+749	+428	+684
PM02 Satin Nickel	+749	+428	+684
PM03 Oil Rubbed Bronze	+749	+428	+684

Please consult [page 7](#) for the palette of DatesWeiser finishes. Natural stone, non-standard glass and veneer, and other technology options are available. Please email customerservice@datesweiser.com for a custom quote. Consult technical information on [page 280](#) for construction and technical details.

Highline Rectangular Conference Table

60"x144"/ 12 Person

02R60X144



Starting Price: **\$17,484**

60x144 table, veneer Tier 1 top with metal edge, open base, powder coat metal finish

Pattern Number: 02R60X144

Step 1. Top Material

V	Veneer
G	Glass
C	Corian
Q	Caesarstone

Step 2. Metal Finish

MC __	Powder Coat	+0
PM01	Polished Chrome	+444
PM02	Satin Nickel	+444
PM03	Oil Rubbed Bronze	+444

Step 3. Top Finish

T1 __	Veneer Tier 1	+0
T2 __	Veneer Tier 2	+1,289
T3 __	Veneer Tier 3	+3,905
GC01	Clear Glass, back painted, white	+4,106
GC __	Clear Glass, back painted, color	+6,505
GE01	Etched matte Glass, back painted, white	+5,214
GE __	Etched matte Glass, back painted, color	+7,736
CS01	Corian Glacier White	+8,694
QS __	Caesarstone	+19,164

Step 4. Power & Connectivity Access: Optional

TMHW	Tabletop, Metal lid, Hardwired, Qty 3	+7,884
TMPI	Tabletop, Metal lid, Plug In, Qty 3	+7,149
UMHW	Undermount, Hardwired, Qty 6	+5,340
UMPI	Undermount, Plug In, Qty 6	+3,864

Step 5. Microphone and/or Grommet Accommodations: Optional

MA __	Microphone hole (factory cut)	Qty __ x 321 each
GM __	2" Grommet Hole (factory cut), liner, lid, in matching metal finish	Qty __ x 423 each

Wire Management Column (sold separately)

Required with any technology selection

Pattern Number: 02WMC6X6	508
Pattern Number: 02WMC10X10	1,065
Pattern Number: 02WMC15X18	1,386

Step 1. Metal Finish for

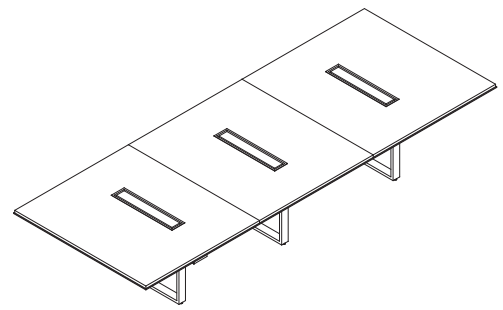
Wire Management Column	6x6	10x10	15x18
MC __ Powder Coat	+0	+0	+0
PM01 Polished Chrome	+749	+428	+684
PM02 Satin Nickel	+749	+428	+684
PM03 Oil Rubbed Bronze	+749	+428	+684

Please consult [page 7](#) for the palette of DatesWeiser finishes. Natural stone, non-standard glass and veneer, and other technology options are available. Please email customerservice@datesweiser.com for a custom quote. Consult technical information on [page 280](#) for construction and technical details.

Highline Rectangular Conference Table

60"x156"/ 12 Person

02R60X156



Starting Price: **\$18,066**

60x156 table, veneer Tier 1 top with metal edge, open base, powder coat metal finish

Pattern Number: 02R60X156

Step 1. Top Material

V	Veneer	
G	Glass	
C	Corian	
Q	Caesarstone	

Step 2. Metal Finish

MC __	Powder Coat	+0
PM01	Polished Chrome	+444
PM02	Satin Nickel	+444
PM03	Oil Rubbed Bronze	+444

Step 3. Top Finish

T1 __	Veneer Tier 1	+0
T2 __	Veneer Tier 2	+1,386
T3 __	Veneer Tier 3	+4,205
GC01	Clear Glass, back painted, white	+4,386
GC __	Clear Glass, back painted, color	+6,880
GE01	Etched matte Glass, back painted, white	+5,546
GE __	Etched matte Glass, back painted, color	+8,169
CS01	Corian Glacier White	+9,223
QS __	Caesarstone	+20,139

Step 4. Power & Connectivity Access: Optional

TMHW	Tabletop, Metal lid, Hardwired, Qty 3	+7,884
TMPI	Tabletop, Metal lid, Plug In, Qty 3	+7,149
UMHW	Undermount, Hardwired, Qty 6	+5,340
UMPI	Undermount, Plug In, Qty 6	+3,864

Step 5. Microphone and/or Grommet Accommodations: Optional

MA __	Microphone hole (factory cut)	Qty __ x 321 each
GM __	2" Grommet Hole (factory cut), liner, lid, in matching metal finish	Qty __ x 423 each

Wire Management Column (sold separately)

Required with any technology selection

Pattern Number: 02WMC6X6	508
Pattern Number: 02WMC10X10	1,065
Pattern Number: 02WMC15X18	1,386

Step 1. Metal Finish for

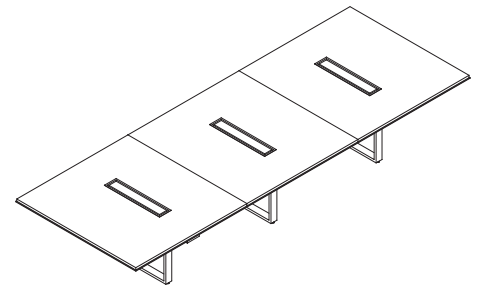
Wire Management Column	6x6	10x10	15x18
MC __ Powder Coat	+0	+0	+0
PM01 Polished Chrome	+749	+428	+684
PM02 Satin Nickel	+749	+428	+684
PM03 Oil Rubbed Bronze	+749	+428	+684

Please consult [page 7](#) for the palette of DatesWeiser finishes. Natural stone, non-standard glass and veneer, and other technology options are available. Please email customerservice@datesweiser.com for a custom quote. Consult technical information on [page 280](#) for construction and technical details.

Highline Rectangular Conference Table

60"x168"/ 14 Person

02R60X168



Starting Price: **\$19,135**

60x168 table, veneer Tier 1 top with metal edge, open base, powder coat metal finish

Pattern Number: 02R60X168

Step 1. Top Material

V	Veneer
G	Glass
C	Corian
Q	Caesarstone

Step 2. Metal Finish

MC __	Powder Coat	+0
PM01	Polished Chrome	+444
PM02	Satin Nickel	+444
PM03	Oil Rubbed Bronze	+444

Step 3. Top Finish

T1 __	Veneer Tier 1	+0
T2 __	Veneer Tier 2	+1,541
T3 __	Veneer Tier 3	+4,549
GC01	Clear Glass, back painted, white	+4,674
GC __	Clear Glass, back painted, color	+7,319
GE01	Etched matte Glass, back painted, white	+5,974
GE __	Etched matte Glass, back painted, color	+8,763
CS01	Corian Glacier White	+9,908
QS __	Caesarstone	+21,525

Step 4. Power & Connectivity Access: Optional

TMHW	Tabletop, Metal lid, Hardwired, Qty 3	+7,884
TMPI	Tabletop, Metal lid, Plug In, Qty 3	+7,149
UMHW	Undermount, Hardwired, Qty 6	+5,340
UMPI	Undermount, Plug In, Qty 6	+3,864

Step 5. Microphone and/or Grommet Accommodations: Optional

MA __	Microphone hole (factory cut)	Qty __ x 321 each
GM __	2" Grommet Hole (factory cut), liner, lid, in matching metal finish	Qty __ x 423 each

Wire Management Column (sold separately)

Required with any technology selection

Pattern Number: 02WMC6X6	508
Pattern Number: 02WMC10X10	1,065
Pattern Number: 02WMC15X18	1,386

Step 1. Metal Finish for

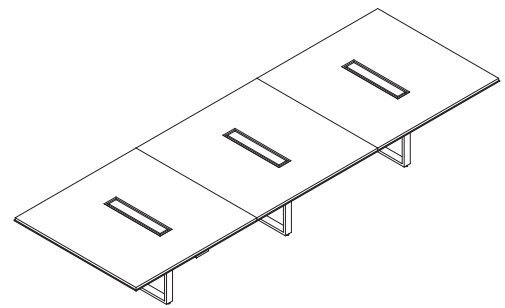
Wire Management Column	6x6	10x10	15x18
MC __ Powder Coat	+0	+0	+0
PM01 Polished Chrome	+749	+428	+684
PM02 Satin Nickel	+749	+428	+684
PM03 Oil Rubbed Bronze	+749	+428	+684

Please consult [page 7](#) for the palette of DatesWeiser finishes. Natural stone, non-standard glass and veneer, and other technology options are available. Please email customerservice@datesweiser.com for a custom quote. Consult technical information on [page 280](#) for construction and technical details.

Highline Rectangular Conference Table

60"x180"/ 16 Person

02R60X180



Starting Price: **\$19,742**

60x180 table, veneer Tier 1 top with metal edge, open base, powder coat metal finish

Pattern Number: 02R60X180

Step 1. Top Material

V	Veneer
G	Glass
C	Corian
Q	Caesarstone

Step 2. Metal Finish

MC __	Powder Coat	+0
PM01	Polished Chrome	+444
PM02	Satin Nickel	+444
PM03	Oil Rubbed Bronze	+444

Step 3. Top Finish

T1 __	Veneer Tier 1	+0
T2 __	Veneer Tier 2	+1,594
T3 __	Veneer Tier 3	+4,868
GC01	Clear Glass, back painted, white	+4,920
GC __	Clear Glass, back painted, color	+7,661
GE01	Etched matte Glass, back painted, white	+6,298
GE __	Etched matte Glass, back painted, color	+9,191
CS01	Corian Glacier White	+10,432
QS __	Caesarstone*	+22,502

Step 4. Power & Connectivity Access: Optional

TMHW	Tabletop, Metal lid, Hardwired, Qty 3	+7,884
TMPI	Tabletop, Metal lid, Plug In, Qty 3	+7,149
UMHW	Undermount, Hardwired, Qty 8	+7,120
UMPI	Undermount, Plug In, Qty 8	+5,152

Step 5. Microphone and/or Grommet Accommodations: Optional

MA __	Microphone hole (factory cut)	Qty __ x 321 each
GM __	2" Grommet Hole (factory cut), liner, lid, in matching metal finish	Qty __ x 423 each

Wire Management Column (sold separately)

Required with any technology selection

Pattern Number: 02WMC6X6	508
Pattern Number: 02WMC10X10	1,065
Pattern Number: 02WMC15X18	1,386

Step 1. Metal Finish for

Wire Management Column	6x6	10x10	15x18	
MC __	Powder Coat	+0	+0	+0
PM01	Polished Chrome	+749	+428	+684
PM02	Satin Nickel	+749	+428	+684
PM03	Oil Rubbed Bronze	+749	+428	+684

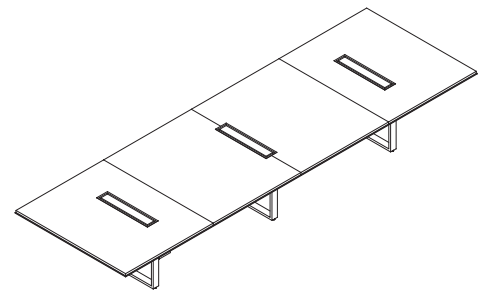
Please consult [page 7](#) for the palette of DatesWeiser finishes. Natural stone, non-standard glass and veneer, and other technology options are available. Please email customerservice@datesweiser.com for a custom quote. Consult technical information on [page 280](#) for construction and technical details.

*Tables with a Caesarstone finish require a 4-section top.

Highline Rectangular Conference Table

60"x192"/ 16 Person

02R60X192



Starting Price: **\$21,615**

60x192 table, veneer Tier 1 top with metal edge, open base, powder coat metal finish

Pattern Number: 02R60X192

Step 1. Top Material

V	Veneer	
G	Glass	
C	Corian	
Q	Caesarstone	

Step 2. Metal Finish

MC __	Powder Coat	+0
PM01	Polished Chrome	+589
PM02	Satin Nickel	+589
PM03	Oil Rubbed Bronze	+589

Step 3. Top Finish

T1 __	Veneer Tier 1	+0
T2 __	Veneer Tier 2	+1,739
T3 __	Veneer Tier 3	+5,211
GC01	Clear Glass, back painted, white	+5,730
GC __	Clear Glass, back painted, color	+8,769
GE01	Etched matte Glass, back painted, white	+7,159
GE __	Etched matte Glass, back painted, color	+10,358
CS01	Corian Glacier White	+11,652
QS __	Caesarstone	+24,959

Step 4. Power & Connectivity Access: Optional

TMHW	Tabletop, Metal lid, Hardwired, Qty 3	+7,884
TMPI	Tabletop, Metal lid, Plug In, Qty 3	+7,149
UMHW	Undermount, Hardwired, Qty 8	+7,120
UMPI	Undermount, Plug In, Qty 8	+5,152

Step 5. Microphone and/or Grommet Accommodations: Optional

MA __	Microphone hole (factory cut)	Qty __ x 321 each
GM __	2" Grommet Hole (factory cut), liner, lid, in matching metal finish	Qty __ x 423 each

Wire Management Column (sold separately)

Required with any technology selection

Pattern Number: 02WMC6X6	508
Pattern Number: 02WMC10X10	1,065
Pattern Number: 02WMC15X18	1,386

Step 1. Metal Finish for

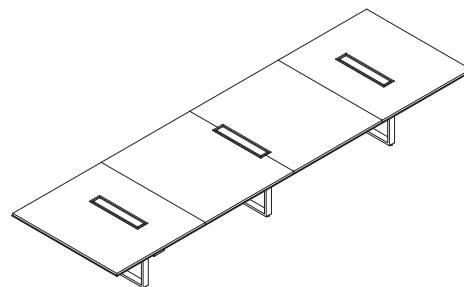
Wire Management Column	6x6	10x10	15x18
MC __ Powder Coat	+0	+0	+0
PM01 Polished Chrome	+749	+428	+684
PM02 Satin Nickel	+749	+428	+684
PM03 Oil Rubbed Bronze	+749	+428	+684

Please consult [page 7](#) for the palette of DatesWeiser finishes. Natural stone, non-standard glass and veneer, and other technology options are available. Please email customerservice@datesweiser.com for a custom quote. Consult technical information on [page 280](#) for construction and technical details.

Highline Rectangular Conference Table

60"x204"/ 16 Person

02R60X204



Starting Price: **\$22,212**

60x204 table, veneer Tier 1 top with metal edge, open base, powder coat metal finish

Pattern Number: 02R60X204

Step 1. Top Material

V	Veneer
G	Glass
C	Corian
Q	Caesarstone

Step 2. Metal Finish

MC __	Powder Coat	+0
PM01	Polished Chrome	+589
PM02	Satin Nickel	+589
PM03	Oil Rubbed Bronze	+589

Step 3. Top Finish

T1 __	Veneer Tier 1	+0
T2 __	Veneer Tier 2	+1,857
T3 __	Veneer Tier 3	+5,537
GC01	Clear Glass, back painted, white	+5,993
GC __	Clear Glass, back painted, color	+9,127
GE01	Etched matte Glass, back painted, white	+7,515
GE __	Etched matte Glass, back painted, color	+10,818
CS01	Corian Glacier White	+12,209
QS __	Caesarstone	+25,977

Step 4. Power & Connectivity Access: Optional

TMHW	Tabletop, Metal lid, Hardwired, Qty 3	+7,884
TMPI	Tabletop, Metal lid, Plug In, Qty 3	+7,149
UMHW	Undermount, Hardwired, Qty 8	+7,120
UMPI	Undermount, Plug In, Qty 8	+5,152

Step 5. Microphone and/or Grommet Accommodations: Optional

MA __	Microphone hole (factory cut)	Qty __ x 321 each
GM __	2" Grommet Hole (factory cut), liner, lid, in matching metal finish	Qty __ x 423 each

Wire Management Column (sold separately)

Required with any technology selection

Pattern Number: 02WMC6X6	508
Pattern Number: 02WMC10X10	1,065
Pattern Number: 02WMC15X18	1,386

Step 1. Metal Finish for

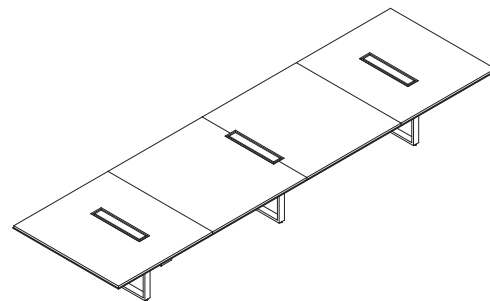
Wire Management Column	6x6	10x10	15x18
MC __ Powder Coat	+0	+0	+0
PM01 Polished Chrome	+749	+428	+684
PM02 Satin Nickel	+749	+428	+684
PM03 Oil Rubbed Bronze	+749	+428	+684

Please consult [page 7](#) for the palette of DatesWeiser finishes. Natural stone, non-standard glass and veneer, and other technology options are available. Please email customerservice@datesweiser.com for a custom quote. Consult technical information on [page 280](#) for construction and technical details.

Highline Rectangular Conference Table

60"x216"/ 18 Person

02R60X216



Starting Price: **\$22,775**

60x216 table, veneer Tier 1 top with metal edge, open base, powder coat metal finish

Pattern Number: 02R60X216

Step 1. Top Material

V	Veneer
G	Glass
C	Corian
Q	Caesarstone

Step 2. Metal Finish

MC __	Powder Coat	+0
PM01	Polished Chrome	+589
PM02	Satin Nickel	+589
PM03	Oil Rubbed Bronze	+589

Step 3. Top Finish

T1 __	Veneer Tier 1	+0
T2 __	Veneer Tier 2	+1,969
T3 __	Veneer Tier 3	+5,853
GC01	Clear Glass, back painted, white	+6,274
GC __	Clear Glass, back painted, color	+9,502
GE01	Etched matte Glass, back painted, white	+7,897
GE __	Etched matte Glass, back painted, color	+11,305
CS01	Corian Glacier White	+12,792
QS __	Caesarstone	+27,019

Step 4. Power & Connectivity Access: Optional

TMHW	Tabletop, Metal lid, Hardwired, Qty 3	+7,884
TMPI	Tabletop, Metal lid, Plug In, Qty 3	+7,149
UMHW	Undermount, Hardwired, Qty 8	+7,120
UMPI	Undermount, Plug In, Qty 8	+5,152

Step 5. Microphone and/or Grommet Accommodations: Optional

MA __	Microphone hole (factory cut)	Qty __ x 321 each
GM __	2" Grommet Hole (factory cut) liner, lid, in matching metal finish	Qty __ x 423 each

Wire Management Column (sold separately)

Required with any technology selection

Pattern Number: 02WMC6X6	508
Pattern Number: 02WMC10X10	1,065
Pattern Number: 02WMC15X18	1,386

Step 1. Metal Finish for

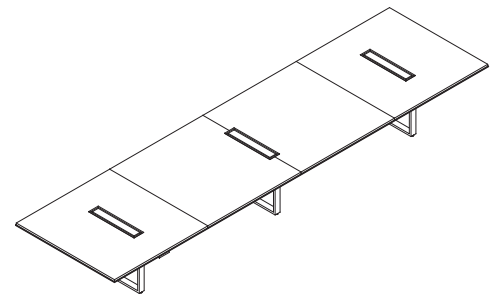
Wire Management Column	6x6	10x10	15x18
MC __ Powder Coat	+0	+0	+0
PM01 Polished Chrome	+749	+428	+684
PM02 Satin Nickel	+749	+428	+684
PM03 Oil Rubbed Bronze	+749	+428	+684

Please consult [page 7](#) for the palette of DatesWeiser finishes. Natural stone, non-standard glass and veneer, and other technology options are available. Please email customerservice@datesweiser.com for a custom quote. Consult technical information on [page 280](#) for construction and technical details.

Highline Rectangular Conference Table

60"x228" / 18 Person

02R60X228



Starting Price: **\$23,401**

60x228 table, veneer Tier 1 top with metal edge, open base, powder coat metal finish

Pattern Number: 02R60X228

Step 1. Top Material

V	Veneer
G	Glass
C	Corian
Q	Caesarstone

Step 2. Metal Finish

MC __	Powder Coat	+0
PM01	Polished Chrome	+589
PM02	Satin Nickel	+589
PM03	Oil Rubbed Bronze	+589

Step 3. Top Finish

T1 __	Veneer Tier 1	+0
T2 __	Veneer Tier 2	+2,033
T3 __	Veneer Tier 3	+6,179
GC01	Clear Glass, back painted, white	+6,477
GC __	Clear Glass, back painted, color	+9,796
GE01	Etched matte Glass, back painted, white	+8,195
GE __	Etched matte Glass, back painted, color	+11,706
CS01	Corian Glacier White	+13,247
QS __	Caesarstone*	+27,906

Step 4. Power & Connectivity Access: Optional

TMHW	Tabletop, Metal lid, Hardwired, Qty 3	+7,884
TMPI	Tabletop, Metal lid, Plug In, Qty 3	+7,149
UMHW	Undermount, Hardwired, Qty 8	+7,120
UMPI	Undermount, Plug In, Qty 8	+5,152

Step 5. Microphone and/or Grommet Accommodations: Optional

MA __	Microphone hole (factory cut)	Qty __ x 321 each
GM __	2" Grommet Hole (factory cut), liner, lid, in matching metal finish	Qty __ x 423 each

Wire Management Column (sold separately)

Required with any technology selection

Pattern Number: 02WMC6X6	508
Pattern Number: 02WMC10X10	1,065
Pattern Number: 02WMC15X18	1,386

Step 1. Metal Finish for

Wire Management Column	6x6	10x10	15x18
MC __ Powder Coat	+0	+0	+0
PM01 Polished Chrome	+749	+428	+684
PM02 Satin Nickel	+749	+428	+684
PM03 Oil Rubbed Bronze	+749	+428	+684

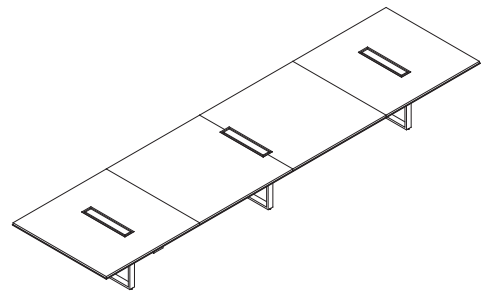
Please consult [page 7](#) for the palette of DatesWeiser finishes. Natural stone, non-standard glass and veneer, and other technology options are available. Please email customerservice@datesweiser.com for a custom quote. Consult technical information on [page 280](#) for construction and technical details.

*Tables with a Caesarstone finish require a 5-section top.

Highline Rectangular Conference Table

60"x240"/ 20 Person

02R60X240



Starting Price: **\$23,988**

60x240 table, veneer Tier 1 top with metal edge, open base, powder coat metal finish

Pattern Number: 02R60X240

Step 1. Top Material

V	Veneer	
G	Glass	
C	Corian	
Q	Caesarstone	

Step 2. Metal Finish

MC __	Powder Coat	+0
PM01	Polished Chrome	+589
PM02	Satin Nickel	+589
PM03	Oil Rubbed Bronze	+589

Step 3. Top Finish

T1 __	Veneer Tier 1	+0
T2 __	Veneer Tier 2	+2,146
T3 __	Veneer Tier 3	+6,495
GC01	Clear Glass, back painted, white	+6,721
GC __	Clear Glass, back painted, color	+10,133
GE01	Etched matte Glass, back painted, white	+8,604
GE __	Etched matte Glass, back painted, color	+12,225
CS01	Corian Glacier White	+13,830
QS __	Caesarstone*	+28,958

Step 4. Power & Connectivity Access: Optional

TMHW	Tabletop, Metal lid, Hardwired, Qty 3	+7,884
TMPI	Tabletop, Metal lid, Plug In, Qty 3	+7,149
UMHW	Undermount, Hardwired, Qty 10	+8,900
UMPI	Undermount, Plug In, Qty 10	+6,440

Step 5. Microphone and/or Grommet Accommodations: Optional

MA __	Microphone hole (factory cut)	Qty __ x 321 each
GM __	2" Grommet Hole (factory cut), liner, lid, in matching metal finish	Qty __ x 423 each

Wire Management Column (sold separately)

Required with any technology selection

Pattern Number: 02WMC6X6	508
Pattern Number: 02WMC10X10	1,065
Pattern Number: 02WMC15X18	1,386

Step 1. Metal Finish for

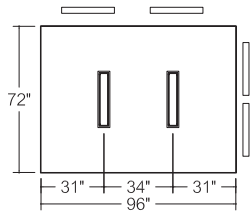
Wire Management Column	6x6	10x10	15x18	
MC __	Powder Coat	+0	+0	+0
PM01	Polished Chrome	+749	+428	+684
PM02	Satin Nickel	+749	+428	+684
PM03	Oil Rubbed Bronze	+749	+428	+684

Please consult [page 7](#) for the palette of DatesWeiser finishes. Natural stone, non-standard glass and veneer, and other technology options are available. Please email customerservice@datesweiser.com for a custom quote. Consult technical information on [page 280](#) for construction and technical details.

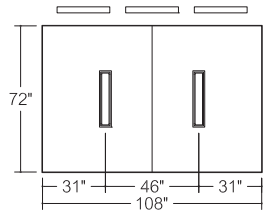
*Tables with a Caesarstone finish require a 5-section top.

Highline Rectangular Conference Tables Index

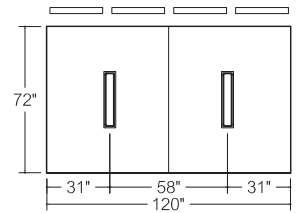
72" width



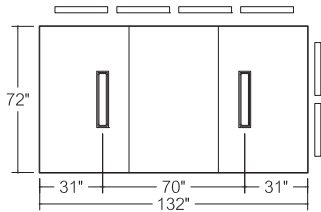
02R72X96
8 Person Table



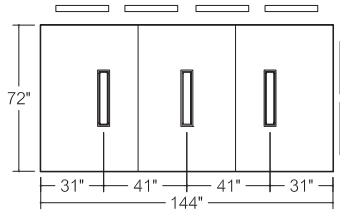
02R72X108
10 Person Table



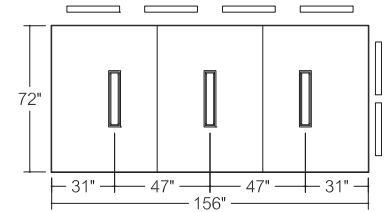
02R72X120
12 Person Table



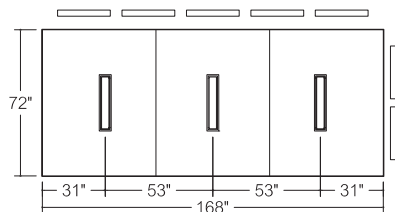
02R72X132
12 Person Table



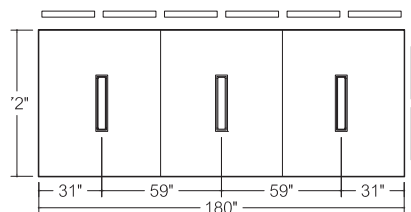
02R72X144
12 Person Table



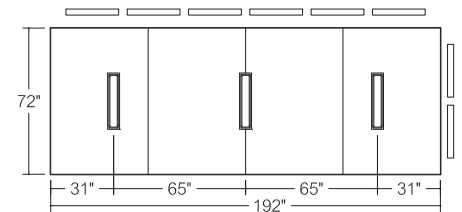
02R72X156
12 Person Table



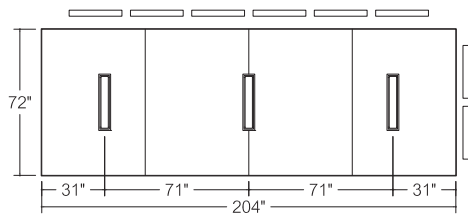
02R72X168
14 Person Table



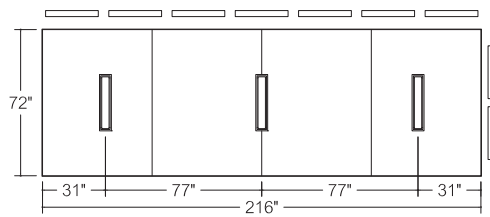
02R72X180
16 Person Table



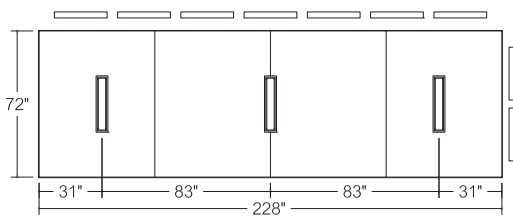
02R72X192
16 Person Table



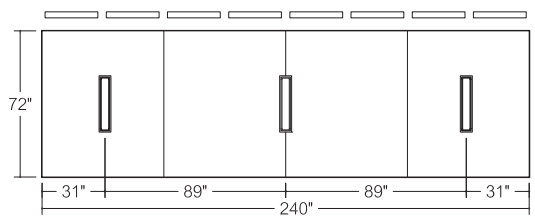
02R72X204
16 Person Table



02R72X216
18 Person Table



02R72X228
18 Person Table

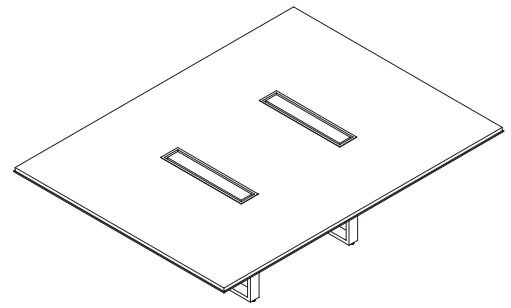


02R72X240
20 Person Table

Highline Rectangular Conference Table

72"x96"/ 8 Person

02R72X96



Starting Price: **\$13,155**

72x96 table, veneer Tier 1 top with metal edge, open base, powder coat metal finish

Pattern Number: 02R72X96

Step 1. Top Material

V	Veneer
G	Glass
C	Corian
Q	Caesarstone

Step 2. Metal Finish

MC __	Powder Coat	+0
PM01	Polished Chrome	+294
PM02	Satin Nickel	+294
PM03	Oil Rubbed Bronze	+294

Step 3. Top Finish

T1 __	Veneer Tier 1	+0
T2 __	Veneer Tier 2	+1,027
T3 __	Veneer Tier 3	+3,097
GC01	Clear Glass, back painted, white	+1,780
GC __	Clear Glass, back painted, color	+3,440
GE01	Etched matte Glass, back painted, white	+2,656
GE __	Etched matte Glass, back painted, color	+4,413
CS01	Corian Glacier White	+5,173
QS __	Caesarstone	+12,505

Step 4. Power & Connectivity Access: Optional

TMHW	Tabletop, Metal lid, Hardwired, Qty 2	+5,256
TMPI	Tabletop, Metal lid, Plug In, Qty 2	+4,766
UMHW	Undermount, Hardwired, Qty 4	+3,560
UMPI	Undermount, Plug In, Qty 4	+2,576

Step 5. Microphone and/or Grommet Accommodations: Optional

MA __	Microphone hole (factory cut)	Qty __ x 321 each
GM __	2" Grommet Hole (factory cut), liner, lid, in matching metal finish	Qty __ x 423 each

Wire Management Column (sold separately)

Required with any technology selection

Pattern Number: 02WMC6X6	508
Pattern Number: 02WMC10X10	1,065
Pattern Number: 02WMC15X18	1,386

Step 1. Metal Finish for

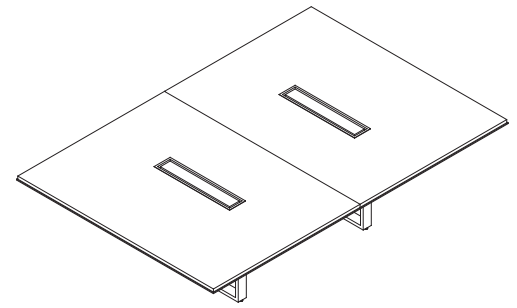
Wire Management Column	6x6	10x10	15x18	
MC __	Powder Coat	+0	+0	+0
PM01	Polished Chrome	+749	+428	+684
PM02	Satin Nickel	+749	+428	+684
PM03	Oil Rubbed Bronze	+749	+428	+684

Please consult [page 7](#) for the palette of DatesWeiser finishes. Natural stone, non-standard glass and veneer, and other technology options are available. Please email customerservice@datesweiser.com for a custom quote. Consult technical information on [page 280](#) for construction and technical details.

Highline Rectangular Conference Table

72"x108"/ 10 Person

02R72X108



Starting Price: **\$13,844**

72x108 table, veneer Tier 1 top with metal edge, open base, powder coat metal finish

Pattern Number: 02R72X108

Step 1. Top Material

V	Veneer
G	Glass
C	Corian
Q	Caesarstone

Step 2. Metal Finish

MC __	Powder Coat	+0
PM01	Polished Chrome	+294
PM02	Satin Nickel	+294
PM03	Oil Rubbed Bronze	+294

Step 3. Top Finish

T1 __	Veneer Tier 1	+0
T2 __	Veneer Tier 2	+1,166
T3 __	Veneer Tier 3	+3,504
GC01	Clear Glass, back painted, white	+2,770
GC __	Clear Glass, back painted, color	+4,617
GE01	Etched matte Glass, back painted, white	+3,777
GE __	Etched matte Glass, back painted, color	+5,735
CS01	Corian Glacier White	+6,607
QS __	Caesarstone	+14,787

Step 4. Power & Connectivity Access: Optional

TMHW	Tabletop, Metal lid, Hardwired, Qty 2	+5,256
TMPI	Tabletop, Metal lid, Plug In, Qty 2	+4,766
UMHW	Undermount, Hardwired, Qty 4	+3,560
UMPI	Undermount, Plug In, Qty 4	+2,576

Step 5. Microphone and/or Grommet Accommodations: Optional

MA __	Microphone hole (factory cut)	Qty __ x 321 each
GM __	2" Grommet Hole (factory cut), liner, lid, in matching metal finish	Qty __ x 423 each

Wire Management Column (sold separately)

Required with any technology selection

Pattern Number: 02WMC6X6	508
Pattern Number: 02WMC10X10	1,065
Pattern Number: 02WMC15X18	1,386

Step 1. Metal Finish for

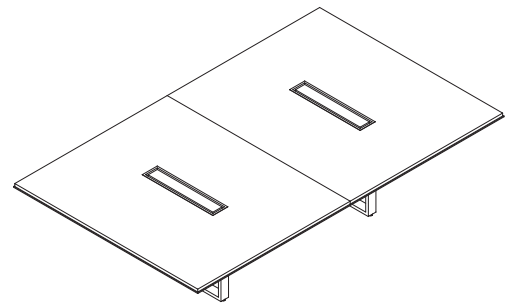
Wire Management Column	6x6	10x10	15x18
MC __ Powder Coat	+0	+0	+0
PM01 Polished Chrome	+749	+428	+684
PM02 Satin Nickel	+749	+428	+684
PM03 Oil Rubbed Bronze	+749	+428	+684

Please consult [page 7](#) for the palette of DatesWeiser finishes. Natural stone, non-standard glass and veneer, and other technology options are available. Please email customerservice@datesweiser.com for a custom quote. Consult technical information on [page 280](#) for construction and technical details.

Highline Rectangular Conference Table

72"x120"/ 12 Person

02R72X120



Starting Price: **\$14,946**

72x120 table, veneer Tier 1 top with metal edge, open base, powder coat metal finish

Pattern Number: 02R72X120

Step 1. Top Material

V	Veneer	
G	Glass	
C	Corian	
Q	Caesarstone	

Step 2. Metal Finish

MC __	Powder Coat	+0
PM01	Polished Chrome	+294
PM02	Satin Nickel	+294
PM03	Oil Rubbed Bronze	+294

Step 3. Top Finish

T1 __	Veneer Tier 1	+0
T2 __	Veneer Tier 2	+1,305
T3 __	Veneer Tier 3	+3,921
GC01	Clear Glass, back painted, white	+3,470
GC __	Clear Glass, back painted, color	+5,516
GE01	Etched matte Glass, back painted, white	+4,568
GE __	Etched matte Glass, back painted, color	+6,735
CS01	Corian Glacier White	+7,731
QS __	Caesarstone	+16,801

Step 4. Power & Connectivity Access: Optional

TMHW	Tabletop, Metal lid, Hardwired, Qty 2	+5,256
TMPI	Tabletop, Metal lid, Plug In, Qty 2	+4,766
UMHW	Undermount, Hardwired, Qty 6	+5,340
UMPI	Undermount, Plug In, Qty 6	+3,864

Step 5. Microphone and/or Grommet Accommodations: Optional

MA __	Microphone hole (factory cut)	Qty __ x 321 each
GM __	2" Grommet Hole (factory cut), liner, lid, in matching metal finish	Qty __ x 423 each

Wire Management Column (sold separately)

Required with any technology selection

Pattern Number: 02WMC6X6	508
Pattern Number: 02WMC10X10	1,065
Pattern Number: 02WMC15X18	1,386

Step 1. Metal Finish for

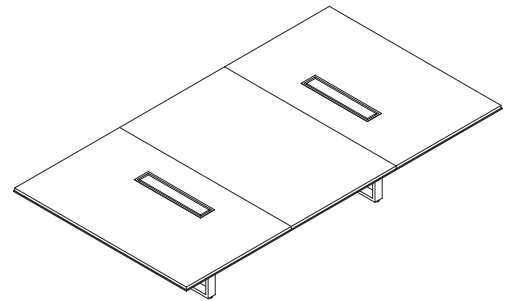
Wire Management Column	6x6	10x10	15x18	
MC __	Powder Coat	+0	+0	+0
PM01	Polished Chrome	+749	+428	+684
PM02	Satin Nickel	+749	+428	+684
PM03	Oil Rubbed Bronze	+749	+428	+684

Please consult [page 7](#) for the palette of DatesWeiser finishes. Natural stone, non-standard glass and veneer, and other technology options are available. Please email customerservice@datesweiser.com for a custom quote. Consult technical information on [page 280](#) for construction and technical details.

Highline Rectangular Conference Table

72"x132" / 12 Person

02R72X132



Starting Price: **\$18,056**

72x132 table, veneer Tier 1 top with metal edge, open base, powder coat metal finish

Pattern Number: 02R72X132

Step 1. Top Material

V	Veneer
G	Glass
C	Corian
Q	Caesarstone

Step 2. Metal Finish

MC __	Powder Coat	+0
PM01	Polished Chrome	+444
PM02	Satin Nickel	+444
PM03	Oil Rubbed Bronze	+444

Step 3. Top Finish

T1 __	Veneer Tier 1	+0
T2 __	Veneer Tier 2	+1,429
T3 __	Veneer Tier 3	+4,596
GC01	Clear Glass, back painted, white	+4,382
GC __	Clear Glass, back painted, color	+6,875
GE01	Etched matte Glass, back painted, white	+5,610
GE __	Etched matte Glass, back painted, color	+8,239
CS01	Corian Glacier White	+9,293
QS __	Caesarstone	+20,233

Step 4. Power & Connectivity Access: Optional

TMHW	Tabletop, Metal lid, Hardwired, Qty 2	+5,256
TMPI	Tabletop, Metal lid, Plug In, Qty 2	+4,766
UMHW	Undermount, Hardwired, Qty 6	+5,340
UMPI	Undermount, Plug In, Qty 6	+3,864

Step 5. Microphone and/or Grommet Accommodations: Optional

MA __	Microphone hole (factory cut)	Qty __ x 321 each
GM __	2" Grommet Hole (factory cut), liner, lid, in matching metal finish	Qty __ x 423 each

Wire Management Column (sold separately)

Required with any technology selection

Pattern Number: 02WMC6X6	508
Pattern Number: 02WMC10X10	1,065
Pattern Number: 02WMC15X18	1,386

Step 1. Metal Finish for

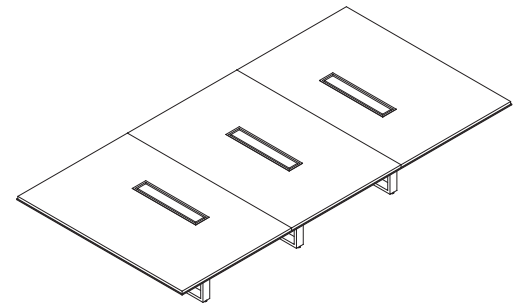
Wire Management Column	6x6	10x10	15x18
MC __ Powder Coat	+0	+0	+0
PM01 Polished Chrome	+749	+428	+684
PM02 Satin Nickel	+749	+428	+684
PM03 Oil Rubbed Bronze	+749	+428	+684

Please consult [page 7](#) for the palette of DatesWeiser finishes. Natural stone, non-standard glass and veneer, and other technology options are available. Please email customerservice@datesweiser.com for a custom quote. Consult technical information on [page 280](#) for construction and technical details.

Highline Rectangular Conference Table

72"x144"/ 12 Person

02R72X144



Starting Price: **\$19,015**

72x144 table, veneer Tier 1 top with metal edge, open base, powder coat metal finish

Pattern Number: 02R72X144

Step 1. Top Material

V	Veneer
G	Glass
C	Corian
Q	Caesarstone

Step 2. Metal Finish

MC __	Powder Coat	+0
PM01	Polished Chrome	+444
PM02	Satin Nickel	+444
PM03	Oil Rubbed Bronze	+444

Step 3. Top Finish

T1 __	Veneer Tier 1	+0
T2 __	Veneer Tier 2	+1,535
T3 __	Veneer Tier 3	+4,671
GC01	Clear Glass, back painted, white	+4,738
GC __	Clear Glass, back painted, color	+7,378
GE01	Etched matte Glass, back painted, white	+6,062
GE __	Etched matte Glass, back painted, color	+8,849
CS01	Corian Glacier White	+10,010
QS __	Caesarstone	+21,619

Step 4. Power & Connectivity Access: Optional

TMHW	Tabletop, Metal lid, Hardwired, Qty 3	+7,884
TMPI	Tabletop, Metal lid, Plug In, Qty 3	+7,149
UMHW	Undermount, Hardwired, Qty 6	+5,340
UMPI	Undermount, Plug In, Qty 6	+3,864

Step 5. Microphone and/or Grommet Accommodations: Optional

MA __	Microphone hole (factory cut)	Qty __ x 321 each
GM __	2" Grommet Hole (factory cut), liner, lid, in matching metal finish	Qty __ x 423 each

Wire Management Column (sold separately)

Required with any technology selection

Pattern Number: 02WMC6X6	508
Pattern Number: 02WMC10X10	1,065
Pattern Number: 02WMC15X18	1,386

Step 1. Metal Finish for

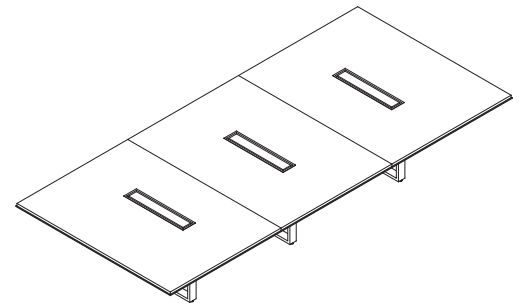
Wire Management Column	6x6	10x10	15x18
MC __ Powder Coat	+0	+0	+0
PM01 Polished Chrome	+749	+428	+684
PM02 Satin Nickel	+749	+428	+684
PM03 Oil Rubbed Bronze	+749	+428	+684

Please consult [page 7](#) for the palette of DatesWeiser finishes. Natural stone, non-standard glass and veneer, and other technology options are available. Please email customerservice@datesweiser.com for a custom quote. Consult technical information on [page 280](#) for construction and technical details.

Highline Rectangular Conference Table

72"x156"/ 12 Person

02R72X156



Starting Price: **\$19,703**

72x156 table, veneer Tier 1 top with metal edge, open base, powder coat metal finish

Pattern Number: 02R72X156

Step 1. Top Material

V	Veneer	
G	Glass	
C	Corian	
Q	Caesarstone	

Step 2. Metal Finish

MC __	Powder Coat	+0
PM01	Polished Chrome	+444
PM02	Satin Nickel	+444
PM03	Oil Rubbed Bronze	+444

Step 3. Top Finish

T1 __	Veneer Tier 1	+0
T2 __	Veneer Tier 2	+1,664
T3 __	Veneer Tier 3	+5,040
GC01	Clear Glass, back painted, white	+5,060
GC __	Clear Glass, back painted, color	+7,811
GE01	Etched matte Glass, back painted, white	+6,499
GE __	Etched matte Glass, back painted, color	+9,411
CS01	Corian Glacier White	+10,652
QS __	Caesarstone	+22,794

Step 4. Power & Connectivity Access: Optional

TMHW	Tabletop, Metal lid, Hardwired, Qty 3	+7,884
TMPI	Tabletop, Metal lid, Plug In, Qty 3	+7,149
UMHW	Undermount, Hardwired, Qty 6	+5,340
UMPI	Undermount, Plug In, Qty 6	+3,864

Step 5. Microphone and/or Grommet Accommodations: Optional

MA __	Microphone hole (factory cut)	Qty __ x 321 each
GM __	2" Grommet Hole (factory cut), liner, lid, in matching metal finish	Qty __ x 423 each

Wire Management Column (sold separately)

Required with any technology selection

Pattern Number: 02WMC6X6	508
Pattern Number: 02WMC10X10	1,065
Pattern Number: 02WMC15X18	1,386

Step 1. Metal Finish for

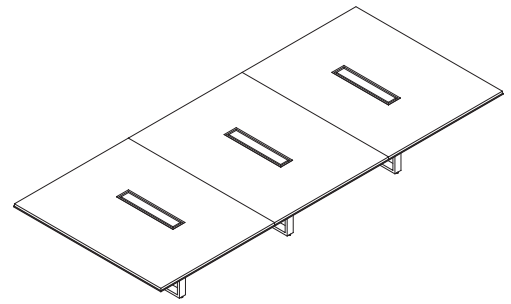
Wire Management Column	6x6	10x10	15x18
MC __ Powder Coat	+0	+0	+0
PM01 Polished Chrome	+749	+428	+684
PM02 Satin Nickel	+749	+428	+684
PM03 Oil Rubbed Bronze	+749	+428	+684

Please consult [page 7](#) for the palette of DatesWeiser finishes. Natural stone, non-standard glass and veneer, and other technology options are available. Please email customerservice@datesweiser.com for a custom quote. Consult technical information on [page 280](#) for construction and technical details.

Highline Rectangular Conference Table

72"x168"/ 14 Person

02R72X168



Starting Price: **\$20,874**

72x168 table, veneer Tier 1 top with metal edge, open base, powder coat metal finish

Pattern Number: 02R72X168

Step 1. Top Material

V	Veneer	
G	Glass	
C	Corian	
Q	Caesarstone	

Step 2. Metal Finish

MC __	Powder Coat	+0
PM01	Polished Chrome	+444
PM02	Satin Nickel	+444
PM03	Oil Rubbed Bronze	+444

Step 3. Top Finish

T1 __	Veneer Tier 1	+0
T2 __	Veneer Tier 2	+1,813
T3 __	Veneer Tier 3	+5,478
GC01	Clear Glass, back painted, white	+5,462
GC __	Clear Glass, back painted, color	+8,388
GE01	Etched matte Glass, back painted, white	+7,012
GE __	Etched matte Glass, back painted, color	+10,111
CS01	Corian Glacier White	+10,881
QS __	Caesarstone	+23,583

Step 4. Power & Connectivity Access: Optional

TMHW	Tabletop, Metal lid, Hardwired, Qty 3	+7,884
TMPI	Tabletop, Metal lid, Plug In, Qty 3	+7,149
UMHW	Undermount, Hardwired, Qty 6	+5,340
UMPI	Undermount, Plug In, Qty 6	+3,864

Step 5. Microphone and/or Grommet Accommodations: Optional

MA __	Microphone hole (factory cut)	Qty __ x 321 each
GM __	2" Grommet Hole (factory cut), liner, lid, in matching metal finish	Qty __ x 423 each

Wire Management Column (sold separately)

Required with any technology selection

Pattern Number: 02WMC6X6	508
Pattern Number: 02WMC10X10	1,065
Pattern Number: 02WMC15X18	1,386

Step 1. Metal Finish for

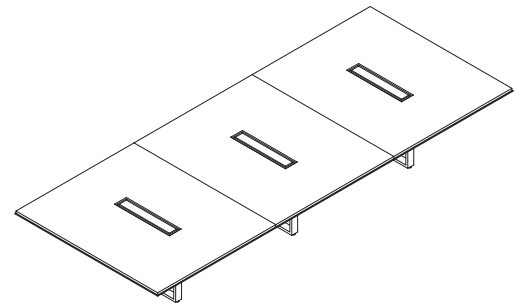
Wire Management Column	6x6	10x10	15x18
MC __ Powder Coat	+0	+0	+0
PM01 Polished Chrome	+749	+428	+684
PM02 Satin Nickel	+749	+428	+684
PM03 Oil Rubbed Bronze	+749	+428	+684

Please consult [page 7](#) for the palette of DatesWeiser finishes. Natural stone, non-standard glass and veneer, and other technology options are available. Please email customerservice@datesweiser.com for a custom quote. Consult technical information on [page 280](#) for construction details and technical information.

Highline Rectangular Conference Table

72"x180"/ 16 Person

02R72X180



Starting Price: **\$21,586**

72x180 table, veneer Tier 1 top with metal edge, open base, powder coat metal finish

Pattern Number: 02R72X180

Step 1. Top Material

V	Veneer
G	Glass
C	Corian
Q	Caesarstone

Step 2. Metal Finish

MC __	Powder Coat	+0
PM01	Polished Chrome	+444
PM02	Satin Nickel	+444
PM03	Oil Rubbed Bronze	+444

Step 3. Top Finish

T1 __	Veneer Tier 1	+0
T2 __	Veneer Tier 2	+1,969
T3 __	Veneer Tier 3	+5,837
GC01	Clear Glass, back painted, white	+5,747
GC __	Clear Glass, back painted, color	+8,785
GE01	Etched matte Glass, back painted, white	+7,390
GE __	Etched matte Glass, back painted, color	+10,609
CS01	Corian Glacier White	+12,102
QS __	Caesarstone*	+25,576

Step 4. Power & Connectivity Access: Optional

TMHW	Tabletop, Metal lid, Hardwired, Qty 3	+7,884
TMPI	Tabletop, Metal lid, Plug In, Qty 3	+7,149
UMHW	Undermount, Hardwired, Qty 8	+7,120
UMPI	Undermount, Plug In, Qty 8	+5,152

Step 5. Microphone and/or Grommet Accommodations: Optional

MA __	Microphone hole (factory cut)	Qty __ x 321 each
GM __	2" Grommet Hole (factory cut), liner, lid, in matching metal finish	Qty __ x 423 each

Wire Management Column (sold separately)

Required with any technology selection

Pattern Number: 02WMC6X6	508
Pattern Number: 02WMC10X10	1,065
Pattern Number: 02WMC15X18	1,386

Step 1. Metal Finish for

Wire Management Column	6x6	10x10	15x18	
MC __	Powder Coat	+0	+0	+0
PM01	Polished Chrome	+749	+428	+684
PM02	Satin Nickel	+749	+428	+684
PM03	Oil Rubbed Bronze	+749	+428	+684

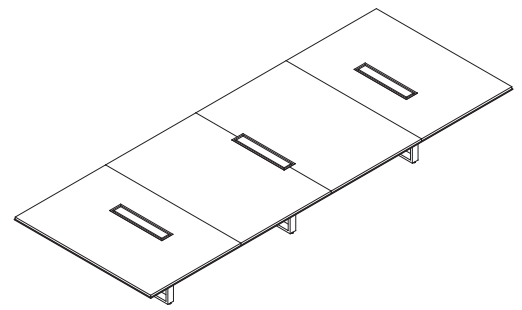
Please consult [page 7](#) for the palette of DatesWeiser finishes. Natural stone, non-standard glass and veneer, and other technology options are available. Please email customerservice@datesweiser.com for a custom quote. Consult technical information on [page 280](#) for construction and technical details.

*Tables with a Caesarstone finish require a 4-section top.

Highline Rectangular Conference Table

72"x192" / 16 Person

02R72X192



Starting Price: **\$23,580**

72x192 table, veneer Tier 1 top with metal edge, open base, powder coat metal finish

Pattern Number: 02R72X192

Step 1. Top Material

V	Veneer
G	Glass
C	Corian
Q	Caesarstone

Step 2. Metal Finish

MC __	Powder Coat	+0
PM01	Polished Chrome	+589
PM02	Satin Nickel	+589
PM03	Oil Rubbed Bronze	+589

Step 3. Top Finish

T1 __	Veneer Tier 1	+0
T2 __	Veneer Tier 2	+2,081
T3 __	Veneer Tier 3	+6,275
GC01	Clear Glass, back painted, white	+6,578
GC __	Clear Glass, back painted, color	+9,929
GE01	Etched matte Glass, back painted, white	+8,350
GE __	Etched matte Glass, back painted, color	+11,898
CS01	Corian Glacier White	+13,460
QS __	Caesarstone	+28,275

Step 4. Power & Connectivity Access: Optional

TMHW	Tabletop, Metal lid, Hardwired, Qty 3	+7,884
TMPI	Tabletop, Metal lid, Plug In, Qty 3	+7,149
UMHW	Undermount, Hardwired, Qty 8	+7,120
UMPI	Undermount, Plug In, Qty 8	+5,152

Step 5. Microphone and/or Grommet Accommodations: Optional

MA __	Microphone hole (factory cut)	Qty __ x 321 each
GM __	2" Grommet Hole (factory cut), liner, lid, in matching metal finish	Qty __ x 423 each

Wire Management Column (sold separately)

Required with any technology selection

Pattern Number: 02WMC6X6	508
Pattern Number: 02WMC10X10	1,065
Pattern Number: 02WMC15X18	1,386

Step 1. Metal Finish for

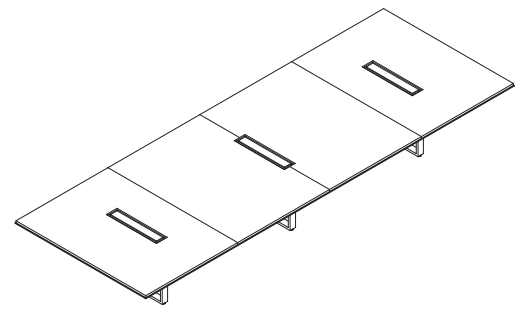
Wire Management Column	6x6	10x10	15x18
MC __ Powder Coat	+0	+0	+0
PM01 Polished Chrome	+749	+428	+684
PM02 Satin Nickel	+749	+428	+684
PM03 Oil Rubbed Bronze	+749	+428	+684

Please consult [page 7](#) for the palette of DatesWeiser finishes. Natural stone, non-standard glass and veneer, and other technology options are available. Please email customerservice@datesweiser.com for a custom quote. Consult technical information on [page 280](#) for construction and technical details.

Highline Rectangular Conference Table

72"x204"/ 16 Person

02R72X204



Starting Price: **\$24,325**

72x204 table, veneer Tier 1 top with metal edge, open base, powder coat metal finish

Pattern Number: 02R72X204

Step 1. Top Material

V	Veneer
G	Glass
C	Corian
Q	Caesarstone

Step 2. Metal Finish

MC __	Powder Coat	+0
PM01	Polished Chrome	+589
PM02	Satin Nickel	+589
PM03	Oil Rubbed Bronze	+589

Step 3. Top Finish

T1 __	Veneer Tier 1	+0
T2 __	Veneer Tier 2	+2,172
T3 __	Veneer Tier 3	+6,618
GC01	Clear Glass, back painted, white	+6,880
GC __	Clear Glass, back painted, color	+10,347
GE01	Etched matte Glass, back painted, white	+8,739
GE __	Etched matte Glass, back painted, color	+12,412
CS01	Corian Glacier White	+14,092
QS __	Caesarstone	+29,460

Step 4. Power & Connectivity Access: Optional

TMHW	Tabletop, Metal lid, Hardwired, Qty 3	+7,884
TMPI	Tabletop, Metal lid, Plug In, Qty 3	+7,149
UMHW	Undermount, Hardwired, Qty 8	+7,120
UMPI	Undermount, Plug In, Qty 8	+5,152

Step 5. Microphone and/or Grommet Accommodations: Optional

MA __	Microphone hole (factory cut)	Qty __ x 321 each
GM __	2" Grommet Hole (factory cut), liner, lid, in matching metal finish	Qty __ x 423 each

Wire Management Column (sold separately)

Required with any technology selection

Pattern Number: 02WMC6X6	508
Pattern Number: 02WMC10X10	1,065
Pattern Number: 02WMC15X18	1,386

Step 1. Metal Finish for

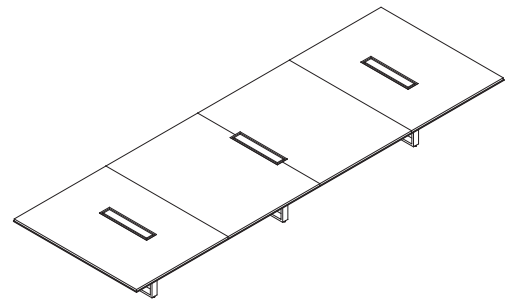
Wire Management Column	6x6	10x10	15x18
MC __ Powder Coat	+0	+0	+0
PM01 Polished Chrome	+749	+428	+684
PM02 Satin Nickel	+749	+428	+684
PM03 Oil Rubbed Bronze	+749	+428	+684

Please consult [page 7](#) for the palette of DatesWeiser finishes. Natural stone, non-standard glass and veneer, and other technology options are available. Please email customerservice@datesweiser.com for a custom quote. Consult technical information on [page 280](#) for construction and technical details.

Highline Rectangular Conference Table

72"x216"/ 18 Person

02R72X216



Starting Price: **\$24,995**

72x216 table, veneer Tier 1 top with metal edge, open base, powder coat metal finish

Pattern Number: 02R72X216

Step 1. Top Material

V	Veneer
G	Glass
C	Corian
Q	Caesarstone

Step 2. Metal Finish

MC __	Powder Coat	+0
PM01	Polished Chrome	+589
PM02	Satin Nickel	+589
PM03	Oil Rubbed Bronze	+589

Step 3. Top Finish

T1 __	Veneer Tier 1	+0
T2 __	Veneer Tier 2	+2,370
T3 __	Veneer Tier 3	+7,041
GC01	Clear Glass, back painted, white	+7,222
GC __	Clear Glass, back painted, color	+10,802
GE01	Etched matte Glass, back painted, white	+9,201
GE __	Etched matte Glass, back painted, color	+13,001
CS01	Corian Glacier White	+14,756
QS __	Caesarstone	+30,655

Step 4. Power & Connectivity Access: Optional

TMHW	Tabletop, Metal lid, Hardwired, Qty 3	+7,884
TMPI	Tabletop, Metal lid, Plug In, Qty 3	+7,149
UMHW	Undermount, Hardwired, Qty 8	+7,120
UMPI	Undermount, Plug In, Qty 8	+5,152

Step 5. Microphone and/or Grommet Accommodations: Optional

MA __	Microphone hole (factory cut)	Qty __ x 321 each
GM __	2" Grommet Hole (factory cut), liner, lid, in matching metal finish	Qty __ x 423 each

Wire Management Column (sold separately)

Required with any technology selection

Pattern Number: 02WMC6X6	508
Pattern Number: 02WMC10X10	1,065
Pattern Number: 02WMC15X18	1,386

Step 1. Metal Finish for

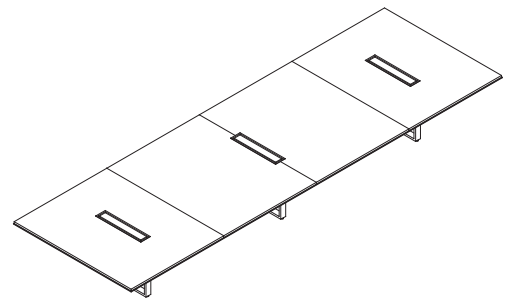
Wire Management Column	6x6	10x10	15x18
MC __ Powder Coat	+0	+0	+0
PM01 Polished Chrome	+749	+428	+684
PM02 Satin Nickel	+749	+428	+684
PM03 Oil Rubbed Bronze	+749	+428	+684

Please consult [page 7](#) for the palette of DatesWeiser finishes. Natural stone, non-standard glass and veneer, and other technology options are available. Please email customerservice@datesweiser.com for a custom quote. Consult technical information on [page 280](#) for construction and technical details.

Highline Rectangular Conference Table

72"x228"/ 18 Person

02R72X228



Starting Price: **\$25,708**

72x228 table, veneer Tier 1 top with metal edge, open base, powder coat metal finish

Pattern Number: 02R72X228

Step 1. Top Material

V	Veneer
G	Glass
C	Corian
Q	Caesarstone

Step 2. Metal Finish

MC __	Powder Coat	+0
PM01	Polished Chrome	+589
PM02	Satin Nickel	+589
PM03	Oil Rubbed Bronze	+589

Step 3. Top Finish

T1 __	Veneer Tier 1	+0
T2 __	Veneer Tier 2	+2,482
T3 __	Veneer Tier 3	+7,431
GC01	Clear Glass, back painted, white	+7,540
GC __	Clear Glass, back painted, color	+11,235
GE01	Etched matte Glass, back painted, white	+9,605
GE __	Etched matte Glass, back painted, color	+13,530
CS01	Corian Glacier White	+15,435
QS __	Caesarstone*	+31,891

Step 4. Power & Connectivity Access: Optional

TMHW	Tabletop, Metal lid, Hardwired, Qty 3	+7,884
TMPI	Tabletop, Metal lid, Plug In, Qty 3	+7,149
UMHW	Undermount, Hardwired, Qty 8	+7,120
UMPI	Undermount, Plug In, Qty 8	+5,152

Step 5. Microphone and/or Grommet Accommodations: Optional

MA __	Microphone hole (factory cut)	Qty __ x 321 each
GM __	2" Grommet Hole (factory cut), liner, lid, in matching metal finish	Qty __ x 423 each

Wire Management Column (sold separately)

Required with any technology selection

Pattern Number: 02WMC6X6	508
Pattern Number: 02WMC10X10	1,065
Pattern Number: 02WMC15X18	1,386

Step 1. Metal Finish for

Wire Management Column	6x6	10x10	15x18	
MC __	Powder Coat	+0	+0	+0
PM01	Polished Chrome	+749	+428	+684
PM02	Satin Nickel	+749	+428	+684
PM03	Oil Rubbed Bronze	+749	+428	+684

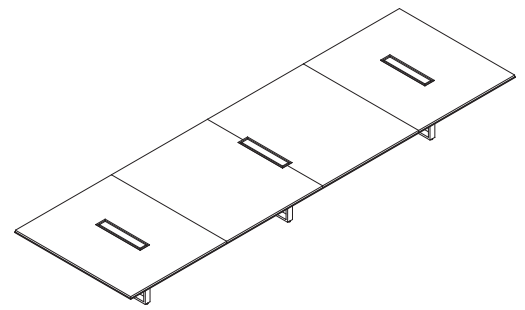
Please consult [page 7](#) for the palette of DatesWeiser finishes. Natural stone, non-standard glass and veneer, and other technology options are available. Please email customerservice@datesweiser.com for a custom quote. Consult technical information on [page 280](#) for construction details and technical details.

*Tables with a Caesarstone finish require a 5-section top.

Highline Rectangular Conference Table

72"x240"/ 20 Person

02R72X240



Starting Price: **\$26,392**

72x240 table, veneer Tier 1 top with metal edge, open base, powder coat metal finish

Pattern Number: 02R72X240

Step 1. Top Material

V	Veneer
G	Glass
C	Corian
Q	Caesarstone

Step 2. Metal Finish

MC __	Powder Coat	+0
PM01	Polished Chrome	+589
PM02	Satin Nickel	+589
PM03	Oil Rubbed Bronze	+589

Step 3. Top Finish

T1 __	Veneer Tier 1	+0
T2 __	Veneer Tier 2	+2,648
T3 __	Veneer Tier 3	+7,853
GC01	Clear Glass, back painted, white	+7,582
GC __	Clear Glass, back painted, color	+11,657
GE01	Etched matte Glass, back painted, white	+10,029
GE __	Etched matte Glass, back painted, color	+14,075
CS01	Corian Glacier White	+16,092
QS __	Caesarstone*	+33,085

Step 4. Power & Connectivity Access: Optional

TMHW	Tabletop, Metal lid, Hardwired, Qty 3	+7,884
TMPI	Tabletop, Metal lid, Plug In, Qty 3	+7,149
UMHW	Undermount, Hardwired, Qty 10	+8,900
UMPI	Undermount, Plug In, Qty 10	+6,440

Step 5. Microphone and/or Grommet Accommodations: Optional

MA __	Microphone hole (factory cut)	Qty __ x 321 each
GM __	2" Grommet Hole (factory cut), liner, lid, in matching metal finish	Qty __ x 423 each

Wire Management Column (sold separately)

Required with any technology selection

Pattern Number: 02WMC6X6	508
Pattern Number: 02WMC10X10	1,065
Pattern Number: 02WMC15X18	1,386

Step 1. Metal Finish for

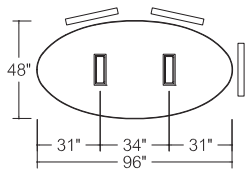
Wire Management Column	6x6	10x10	15x18	
MC __	Powder Coat	+0	+0	+0
PM01	Polished Chrome	+749	+428	+684
PM02	Satin Nickel	+749	+428	+684
PM03	Oil Rubbed Bronze	+749	+428	+684

Please consult [page 7](#) for the palette of DatesWeiser finishes. Natural stone, non-standard glass and veneer, and other technology options are available. Please email customerservice@datesweiser.com for a custom quote. Consult technical information on [page 280](#) for construction and technical details.

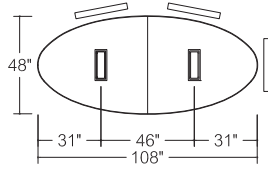
*Tables with a Caesarstone finish require a 5-section top.

Highline Elliptical Conference Tables Index

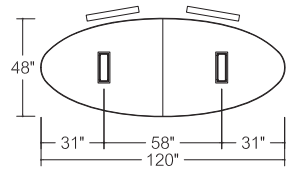
48"-72" width



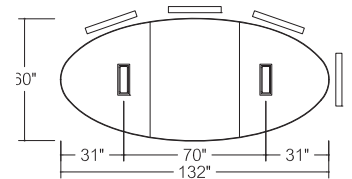
02E48X96
6 Person Table



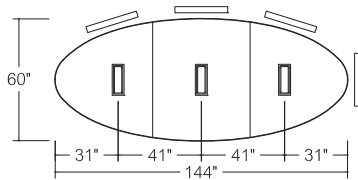
02E48X108
6 Person Table



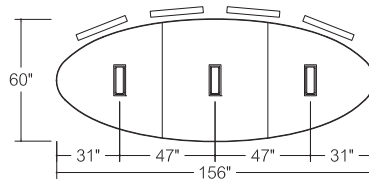
02E48X120
6 Person Table



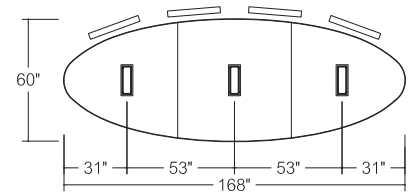
02E60X132
8 Person Table



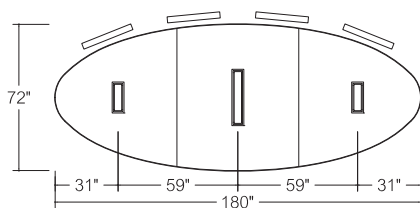
02E60X144
8 Person Table



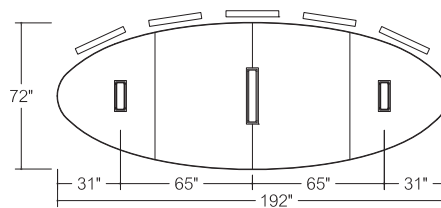
02E60X156
8 Person Table



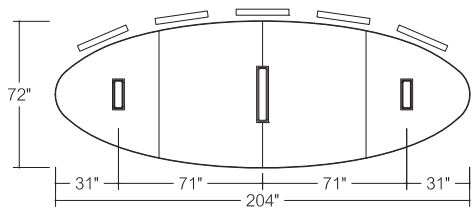
02E60X168
8 Person Table



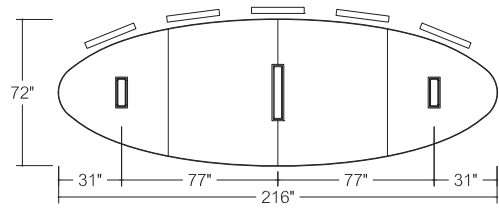
02E72X180
8 Person Table



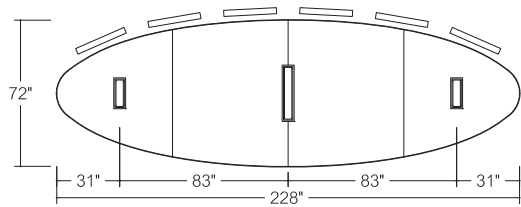
02E72X192
10 Person Table



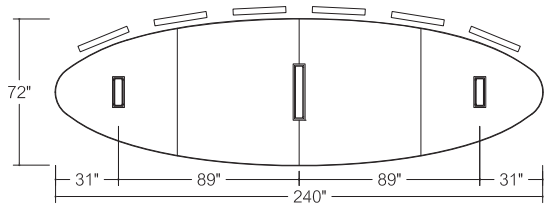
02E72X204
10 Person Table



02E72X216
10 Person Table



02E72X228
12 Person Table

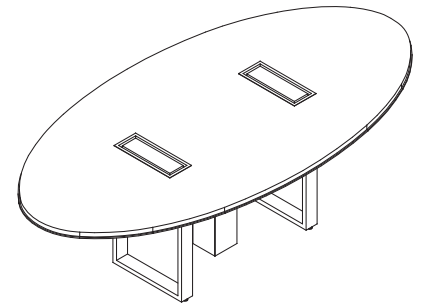


02E72X240
12 Person Table

Highline Elliptical Conference Table

48"x96"/ 6 Person

02E48X96



Starting Price: **\$14,589**

48x96 table, veneer Tier 1 top with metal edge, open base, powder coat metal finish

Pattern Number: 02E48X96

Step 1. Top Material

V	Veneer
G	Glass
C	Corian
Q	Caesarstone

Step 2. Metal Finish

MC __	Powder Coat	+0
PM01	Polished Chrome	+294
PM02	Satin Nickel	+294
PM03	Oil Rubbed Bronze	+294

Step 3. Top Finish

T1 __	Veneer Tier 1	+0
T2 __	Veneer Tier 2	+707
T3 __	Veneer Tier 3	+2,071
GC01	Clear Glass, back painted, white	+2,774
GC __	Clear Glass, back painted, color	+4,703
GE01	Etched matte Glass, back painted, white	+3,612
GE __	Etched matte Glass, back painted, color	+5,634
CS01	Corian Glacier White	+6,704
QS __	Caesarstone	+15,221

Step 4. Power & Connectivity Access: Optional

TMHW	Tabletop, Metal lid, Hardwired, Qty 2	+3,996
TMPI	Tabletop, Metal lid, Plug In, Qty 2	+3,498
UMHW	Undermount, Hardwired, Qty 4	+3,560
UMPI	Undermount, Plug In, Qty 4	+2,576

Step 5. Microphone and/or Grommet Accommodations: Optional

MA __	Microphone hole (factory cut)	Qty __ x 321 each
GM __	2" Grommet Hole (factory cut), liner, lid, in matching metal finish	Qty __ x 423 each

Wire Management Column (sold separately)

Required with any technology selection

Pattern Number: 02WMC6X6	508
Pattern Number: 02WMC10X10	1,065

Step 1. Metal Finish for Wire Management Column

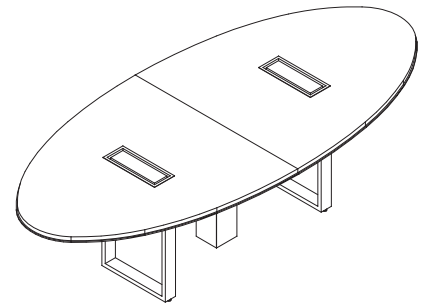
		6x6	10x10
MC __	Powder Coat	+0	+0
PM01	Polished Chrome	+749	+428
PM02	Satin Nickel	+749	+428
PM03	Oil Rubbed Bronze	+749	+428

Please consult [page 7](#) for the palette of DatesWeiser finishes. Natural stone, non-standard glass and veneer, and other technology options are available. Please email customerservice@datesweiser.com for a custom quote. Consult technical information on [page 280](#) for construction and technical details.

Highline Elliptical Conference Table

48"x108"/ 6 Person

02E48X108



Starting Price: **\$15,061**

48x108 table, veneer Tier 1 top with metal edge, open base, powder coat metal finish

Pattern Number: 02E48X108

Step 1. Top Material

V	Veneer
G	Glass
C	Corian
Q	Caesarstone

Step 2. Metal Finish

MC __	Powder Coat	+0
PM01	Polished Chrome	+294
PM02	Satin Nickel	+294
PM03	Oil Rubbed Bronze	+294

Step 3. Top Finish

T1 __	Veneer Tier 1	+0
T2 __	Veneer Tier 2	+781
T3 __	Veneer Tier 3	+2,349
GC01	Clear Glass, back painted, white	+3,867
GC __	Clear Glass, back painted, color	+5,971
GE01	Etched matte Glass, back painted, white	+5,152
GE __	Etched matte Glass, back painted, color	+7,025
CS01	Corian Glacier White	+8,234
QS __	Caesarstone	+17,552

Step 4. Power & Connectivity Access: Optional

TMHW	Tabletop, Metal lid, Hardwired, Qty 2	+3,996
TMPI	Tabletop, Metal lid, Plug In, Qty 2	+3,498
UMHW	Undermount, Hardwired, Qty 4	+3,560
UMPI	Undermount, Plug In, Qty 4	+2,576

Step 5. Microphone and/or Grommet Accommodations: Optional

MA __	Microphone hole (factory cut)	Qty __ x 321 each
GM __	2" Grommet Hole (factory cut), liner, lid, in matching metal finish	Qty __ x 423 each

Wire Management Column (sold separately)

Required with any technology selection

Pattern Number: 02WMC6X6	508
Pattern Number: 02WMC10X10	1,065

Step 1. Metal Finish for Wire Management Column

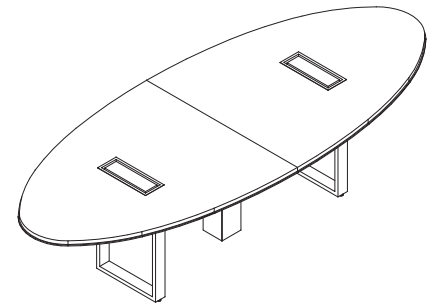
		6x6	10x10
MC __	Powder Coat	+0	+0
PM01	Polished Chrome	+749	+428
PM02	Satin Nickel	+749	+428
PM03	Oil Rubbed Bronze	+749	+428

Please consult [page 7](#) for the palette of DatesWeiser finishes. Natural stone, non-standard glass and veneer, and other technology options are available. Please email customerservice@datesweiser.com for a custom quote. Consult technical information on [page 280](#) for construction and technical details.

Highline Elliptical Conference Table

48"x120"/ 6 Person

02E48X120



Starting Price: **\$16,003**

48x120 table, veneer Tier 1 top with metal edge, open base, powder coat metal finish

Pattern Number: 02E48X120

Step 1. Top Material

V	Veneer
G	Glass
C	Corian
Q	Caesarstone

Step 2. Metal Finish

MC __	Powder Coat	+0
PM01	Polished Chrome	+294
PM02	Satin Nickel	+294
PM03	Oil Rubbed Bronze	+294

Step 3. Top Finish

T1 __	Veneer Tier 1	+0
T2 __	Veneer Tier 2	+878
T3 __	Veneer Tier 3	+2,616
GC01	Clear Glass, back painted, white	+4,549
GC __	Clear Glass, back painted, color	+6,838
GE01	Etched matte Glass, back painted, white	+5,627
GE __	Etched matte Glass, back painted, color	+8,036
CS01	Corian Glacier White	+9,352
QS __	Caesarstone	+19,514

Step 4. Power & Connectivity Access: Optional

TMHW	Tabletop, Metal lid, Hardwired, Qty 2	+3,996
TMPI	Tabletop, Metal lid, Plug In, Qty 2	+3,498
UMHW	Undermount, Hardwired, Qty 4	+3,560
UMPI	Undermount, Plug In, Qty 4	+2,576

Step 5. Microphone and/or Grommet Accommodations: Optional

MA __	Microphone hole (factory cut)	Qty __ x 321 each
GM __	2" Grommet Hole (factory cut), liner, lid, in matching metal finish	Qty __ x 423 each

Wire Management Column (sold separately)

Required with any technology selection

Pattern Number: 02WMC6X6	508
Pattern Number: 02WMC10X10	1,065

Step 1. Metal Finish for Wire Management Column

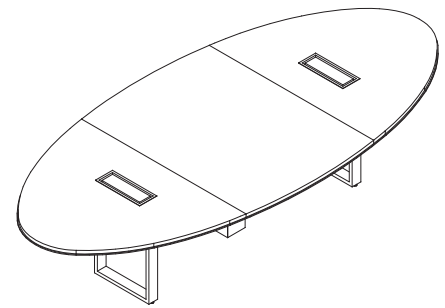
		6x6	10x10
MC __	Powder Coat	+0	+0
PM01	Polished Chrome	+749	+428
PM02	Satin Nickel	+749	+428
PM03	Oil Rubbed Bronze	+749	+428

Please consult [page 7](#) for the palette of DatesWeiser finishes. Natural stone, non-standard glass and veneer, and other technology options are available. Please email customerservice@datesweiser.com for a custom quote. Consult technical information on [page 280](#) for construction and technical details.

Highline Elliptical Conference Table

60"x132"/ 8 Person

02E60X132



Starting Price: **\$19,193**

60x132 table, veneer Tier 1 top with metal edge, open base, powder coat metal finish

Pattern Number: 02E60X132

Step 1. Top Material

V	Veneer
G	Glass
C	Corian
Q	Caesarstone

Step 2. Metal Finish

MC __	Powder Coat	+0
PM01	Polished Chrome	+444
PM02	Satin Nickel	+444
PM03	Oil Rubbed Bronze	+444

Step 3. Top Finish

T1 __	Veneer Tier 1	+0
T2 __	Veneer Tier 2	+1,182
T3 __	Veneer Tier 3	+3,563
GC01	Clear Glass, back painted, white	+6,483
GC __	Clear Glass, back painted, color	+9,335
GE01	Etched matte Glass, back painted, white	+7,989
GE __	Etched matte Glass, back painted, color	+11,010
CS01	Corian Glacier White	+12,866
QS __	Caesarstone	+25,690

Step 4. Power & Connectivity Access: Optional

TMHW	Tabletop, Metal lid, Hardwired, Qty 2	+3,996
TMPI	Tabletop, Metal lid, Plug In, Qty 2	+3,498
UMHW	Undermount, Hardwired, Qty 4	+3,560
UMPI	Undermount, Plug In, Qty 4	+2,576

Step 5. Microphone and/or Grommet Accommodations: Optional

MA __	Microphone hole (factory cut)	Qty __ x 321 each
GM __	2" Grommet Hole (factory cut), liner, lid, in matching metal finish	Qty __ x 423 each

Wire Management Column (sold separately)

Required with any technology selection

Pattern Number: 02WMC6X6	508
Pattern Number: 02WMC10X10	1,065

Step 1. Metal Finish for Wire Management Column

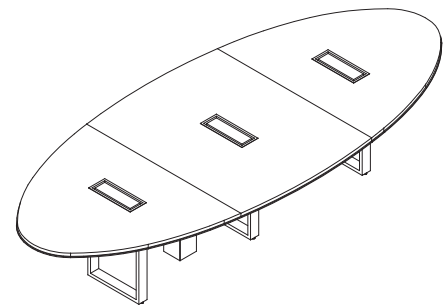
		6x6	10x10
MC __	Powder Coat	+0	+0
PM01	Polished Chrome	+749	+428
PM02	Satin Nickel	+749	+428
PM03	Oil Rubbed Bronze	+749	+428

Please consult [page 7](#) for the palette of DatesWeiser finishes. Natural stone, non-standard glass and veneer, and other technology options are available. Please email customerservice@datesweiser.com for a custom quote. Consult technical information on [page 280](#) for construction and technical details.

Highline Elliptical Conference Table

60"x144"/ 8 Person

02E60X144



Starting Price: **\$20,676**

60x144 table, veneer Tier 1 top with metal edge, open base, powder coat metal finish

Pattern Number: 02E60X144

Step 1. Top Material

V	Veneer
G	Glass
C	Corian
Q	Caesarstone

Step 2. Metal Finish

MC __	Powder Coat	+0
PM01	Polished Chrome	+444
PM02	Satin Nickel	+444
PM03	Oil Rubbed Bronze	+444

Step 3. Top Finish

T1 __	Veneer Tier 1	+0
T2 __	Veneer Tier 2	+1,310
T3 __	Veneer Tier 3	+3,884
GC01	Clear Glass, back painted, white	+7,143
GC __	Clear Glass, back painted, color	+10,234
GE01	Etched matte Glass, back painted, white	+8,722
GE __	Etched matte Glass, back painted, color	+11,989
CS01	Corian Glacier White	+14,022
QS __	Caesarstone	+27,901

Step 4. Power & Connectivity Access: Optional

TMHW	Tabletop, Metal lid, Hardwired, Qty 3	+5,994
TMPI	Tabletop, Metal lid, Plug In, Qty 3	+5,247
UMHW	Undermount, Hardwired, Qty 4	+3,560
UMPI	Undermount, Plug In, Qty 4	+2,576

Step 5. Microphone and/or Grommet Accommodations: Optional

MA __	Microphone hole (factory cut)	Qty __ x 321 each
GM __	2" Grommet Hole (factory cut), liner, lid, in matching metal finish	Qty __ x 423 each

Wire Management Column (sold separately)

Required with any technology selection

Pattern Number: 02WMC6X6	508
Pattern Number: 02WMC10X10	1,065

Step 1. Metal Finish for Wire Management Column

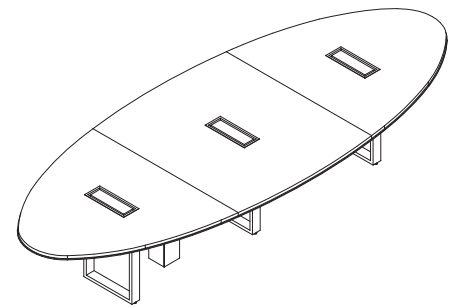
		6x6	10x10
MC __	Powder Coat	+0	+0
PM01	Polished Chrome	+749	+428
PM02	Satin Nickel	+749	+428
PM03	Oil Rubbed Bronze	+749	+428

Please consult [page 7](#) for the palette of DatesWeiser finishes. Natural stone, non-standard glass and veneer, and other technology options are available. Please email customerservice@datesweiser.com for a custom quote. Consult technical information on [page 280](#) for construction and technical details.

Highline Elliptical Conference Table

60"x156"/ 8 Person

02E60X156



Starting Price: **\$21,321**

60x156 table, veneer Tier 1 top with metal edge, open base, powder coat metal finish

Pattern Number: 02E60X156

Step 1. Top Material

V	Veneer
G	Glass
C	Corian
Q	Caesarstone

Step 2. Metal Finish

MC __	Powder Coat	+0
PM01	Polished Chrome	+444
PM02	Satin Nickel	+444
PM03	Oil Rubbed Bronze	+444

Step 3. Top Finish

T1 __	Veneer Tier 1	+0
T2 __	Veneer Tier 2	+1,418
T3 __	Veneer Tier 3	+4,205
GC01	Clear Glass, back painted, white	+7,623
GC __	Clear Glass, back painted, color	+10,839
GE01	Etched matte Glass, back painted, white	+9,404
GE __	Etched matte Glass, back painted, color	+12,818
CS01	Corian Glacier White	+15,039
QS __	Caesarstone	+29,582

Step 4. Power & Connectivity Access: Optional

TMHW	Tabletop, Metal lid, Hardwired, Qty 3	+5,994
TMPI	Tabletop, Metal lid, Plug In, Qty 3	+5,247
UMHW	Undermount, Hardwired, Qty 4	+3,560
UMPI	Undermount, Plug In, Qty 4	+2,576

Step 5. Microphone and/or Grommet Accommodations: Optional

MA __	Microphone hole (factory cut)	Qty __ x 321 each
GM __	2" Grommet Hole (factory cut), liner, lid, in matching metal finish	Qty __ x 423 each

Wire Management Column (sold separately)

Required with any technology selection

Pattern Number: 02WMC6X6	508
Pattern Number: 02WMC10X10	1,065

Step 1. Metal Finish for Wire Management Column

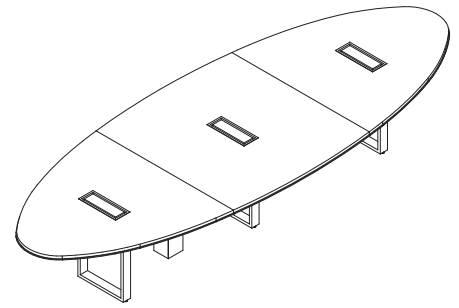
		6x6	10x10
MC __	Powder Coat	+0	+0
PM01	Polished Chrome	+749	+428
PM02	Satin Nickel	+749	+428
PM03	Oil Rubbed Bronze	+749	+428

Please consult [page 7](#) for the palette of DatesWeiser finishes. Natural stone, non-standard glass and veneer, and other technology options are available. Please email customerservice@datesweiser.com for a custom quote. Consult technical information on [page 280](#) for construction and technical details.

Highline Elliptical Conference Table

60"x168"/ 8 Person

02E60X168



Starting Price: **\$21,947**

60x168 table, veneer Tier 1 top with metal edge, open base, powder coat metal finish

Pattern Number: 02E60X168

Step 1. Top Material

V	Veneer
G	Glass
C	Corian
Q	Caesarstone

Step 2. Metal Finish

MC __	Powder Coat	+0
PM01	Polished Chrome	+444
PM02	Satin Nickel	+444
PM03	Oil Rubbed Bronze	+444

Step 3. Top Finish

T1 __	Veneer Tier 1	+0
T2 __	Veneer Tier 2	+1,508
T3 __	Veneer Tier 3	+4,533
GC01	Clear Glass, back painted, white	+8,157
GC __	Clear Glass, back painted, color	+11,502
GE01	Etched matte Glass, back painted, white	+10,083
GE __	Etched matte Glass, back painted, color	+13,642
CS01	Corian Glacier White	+16,055
QS __	Caesarstone	+31,256

Step 4. Power & Connectivity Access: Optional

TMHW	Tabletop, Metal lid, Hardwired, Qty 3	+5,994
TMPI	Tabletop, Metal lid, Plug In, Qty 3	+5,247
UMHW	Undermount, Hardwired, Qty 4	+3,560
UMPI	Undermount, Plug In, Qty 4	+2,576

Step 5. Microphone and/or Grommet Accommodations: Optional

MA __	Microphone hole (factory cut)	Qty __ x 321 each
GM __	2" Grommet Hole (factory cut), liner, lid, in matching metal finish	Qty __ x 423 each

Wire Management Column (sold separately)

Required with any technology selection

Pattern Number: 02WMC6X6	508
Pattern Number: 02WMC10X10	1,065

Step 1. Metal Finish for Wire Management Column

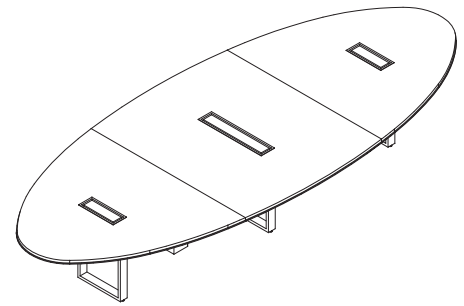
		6x6	10x10
MC __	Powder Coat	+0	+0
PM01	Polished Chrome	+749	+428
PM02	Satin Nickel	+749	+428
PM03	Oil Rubbed Bronze	+749	+428

Please consult [page 7](#) for the palette of DatesWeiser finishes. Natural stone, non-standard glass and veneer, and other technology options are available. Please email customerservice@datesweiser.com for a custom quote. Consult technical information on [page 280](#) for construction and technical details.

Highline Elliptical Conference Table

72"x180"/ 10 Person

02E72X180



Starting Price: **\$24,451**

72x192 table, veneer Tier 1 top with metal edge, open base, powder coat metal finish

Pattern Number: 02E72X180

Step 1. Top Material

V	Veneer
G	Glass
C	Corian
Q	Caesarstone

Step 2. Metal Finish

MC __	Powder Coat	+0
PM01	Polished Chrome	+444
PM02	Satin Nickel	+444
PM03	Oil Rubbed Bronze	+444

Step 3. Top Finish

T1 __	Veneer Tier 1	+0
T2 __	Veneer Tier 2	+1,952
T3 __	Veneer Tier 3	+5,869
GC01	Clear Glass, back painted, white	+10,280
GC __	Clear Glass, back painted, color	+14,140
GE01	Etched matte Glass, back painted, white	+12,755
GE __	Etched matte Glass, back painted, color	+16,890
CS01	Corian Glacier White	+20,003
QS __	Caesarstone*	+37,784

Step 4. Power & Connectivity Access: Optional

TMHW	Tabletop, Metal lid, Hardwired, Qty 3	+6,624
TMPI	Tabletop, Metal lid, Plug In, Qty 3	+5,881
UMHW	Undermount, Hardwired, Qty 4	+3,560
UMPI	Undermount, Plug In, Qty 4	+2,576

Step 5. Microphone and/or Grommet Accommodations: Optional

MA __	Microphone hole (factory cut)	Qty __ x 321 each
GM __	2" Grommet Hole (factory cut), liner, lid, in matching metal finish	Qty __ x 423 each

Wire Management Column (sold separately)

Required with any technology selection

Pattern Number: 02WMC6X6	508
Pattern Number: 02WMC10X10	1,065

Step 1. Metal Finish for Wire Management Column

		6x6	10x10
MC __	Powder Coat	+0	+0
PM01	Polished Chrome	+749	+428
PM02	Satin Nickel	+749	+428
PM03	Oil Rubbed Bronze	+749	+428

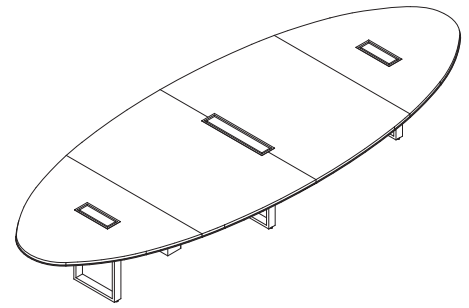
Please consult [page 7](#) for the palette of DatesWeiser finishes. Natural stone, non-standard glass and veneer, and other technology options are available. Please email customerservice@datesweiser.com for a custom quote. Consult technical information on [page 280](#) for construction and technical details.

*Tables with a Caesarstone finish require a 4-section top.

Highline Elliptical Conference Table

72"x192"/ 10 Person

02E72X192



Starting Price: **\$26,700**

72x192 table, veneer Tier 1 top with metal edge, open base, powder coat metal finish

Pattern Number: 02E72X192

Step 1. Top Material

V	Veneer
G	Glass
C	Corian
Q	Caesarstone

Step 2. Metal Finish

MC __	Powder Coat	+0
PM01	Polished Chrome	+589
PM02	Satin Nickel	+589
PM03	Oil Rubbed Bronze	+589

Step 3. Top Finish

T1 __	Veneer Tier 1	+0
T2 __	Veneer Tier 2	+2,092
T3 __	Veneer Tier 3	+6,238
GC01	Clear Glass, back painted, white	+11,298
GC __	Clear Glass, back painted, color	+15,520
GE01	Etched matte Glass, back painted, white	+13,927
GE __	Etched matte Glass, back painted, color	+18,441
CS01	Corian Glacier White	+21,737
QS __	Caesarstone	+41,111

Step 4. Power & Connectivity Access: Optional

TMHW	Tabletop, Metal lid, Hardwired, Qty 3	+6,624
TMPI	Tabletop, Metal lid, Plug In, Qty 3	+5,881
UMHW	Undermount, Hardwired, Qty 4	+3,560
UMPI	Undermount, Plug In, Qty 4	+2,576

Step 5. Microphone and/or Grommet Accommodations: Optional

MA __	Microphone hole (factory cut)	Qty __ x 321 each
GM __	2" Grommet Hole (factory cut), liner, lid, in matching metal finish	Qty __ x 423 each

Wire Management Column (sold separately)

Required with any technology selection

Pattern Number: 02WMC6X6	508
Pattern Number: 02WMC10X10	1,065

Step 1. Metal Finish for Wire Management Column

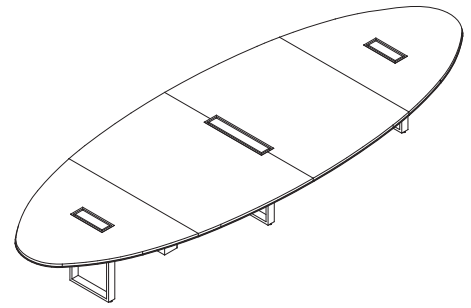
		6x6	10x10
MC __	Powder Coat	+0	+0
PM01	Polished Chrome	+749	+428
PM02	Satin Nickel	+749	+428
PM03	Oil Rubbed Bronze	+749	+428

Please consult [page 7](#) for the palette of DatesWeiser finishes. Natural stone, non-standard glass and veneer, and other technology options are available. Please email customerservice@datesweiser.com for a custom quote. Consult technical information on [page 280](#) for construction and technical details.

Highline Elliptical Conference Table

72"x204"/ 10 Person

02E72X204



Starting Price: **\$27,455**

72x204 table, veneer Tier 1 top with metal edge, open base, powder coat metal finish

Pattern Number: 02E72X204

Step 1. Top Material

V	Veneer
G	Glass
C	Corian
Q	Caesarstone

Step 2. Metal Finish

MC __	Powder Coat	+0
PM01	Polished Chrome	+589
PM02	Satin Nickel	+589
PM03	Oil Rubbed Bronze	+589

Step 3. Top Finish

T1 __	Veneer Tier 1	+0
T2 __	Veneer Tier 2	+2,226
T3 __	Veneer Tier 3	+6,607
GC01	Clear Glass, back painted, white	+11,975
GC __	Clear Glass, back painted, color	+16,355
GE01	Etched matte Glass, back painted, white	+14,733
GE __	Etched matte Glass, back painted, color	+19,421
CS01	Corian Glacier White	+22,887
QS __	Caesarstone	+43,025

Step 4. Power & Connectivity Access: Optional

TMHW	Tabletop, Metal lid, Hardwired, Qty 3	+6,624
TMPI	Tabletop, Metal lid, Plug In, Qty 3	+5,881
UMHW	Undermount, Hardwired, Qty 4	+3,560
UMPI	Undermount, Plug In, Qty 4	+2,576

Step 5. Microphone and/or Grommet Accommodations: Optional

MA __	Microphone hole (factory cut)	Qty __ x 321 each
GM __	2" Grommet Hole (factory cut), liner, lid, in matching metal finish	Qty __ x 423 each

Wire Management Column (sold separately)

Required with any technology selection

Pattern Number: 02WMC6X6	508
Pattern Number: 02WMC10X10	1,065

Step 1. Metal Finish for Wire Management Column

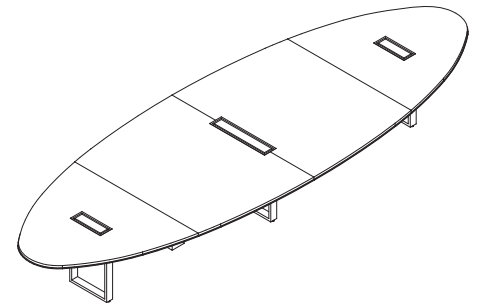
		6x6	10x10
MC __	Powder Coat	+0	+0
PM01	Polished Chrome	+749	+428
PM02	Satin Nickel	+749	+428
PM03	Oil Rubbed Bronze	+749	+428

Please consult [page 7](#) for the palette of DatesWeiser finishes. Natural stone, non-standard glass and veneer, and other technology options are available. Please email customerservice@datesweiser.com for a custom quote. Consult technical information on [page 280](#) for construction and technical details.

Highline Elliptical Conference Table

72"x216"/ 10 Person

02E72X216



Starting Price: **\$28,303**

72x216 table, veneer Tier 1 top with metal edge, open base, powder coat metal finish

Pattern Number: 02E72X216

Step 1. Top Material

V	Veneer
G	Glass
C	Corian
Q	Caesarstone

Step 2. Metal Finish

MC __	Powder Coat	+0
PM01	Polished Chrome	+589
PM02	Satin Nickel	+589
PM03	Oil Rubbed Bronze	+589

Step 3. Top Finish

T1 __	Veneer Tier 1	+0
T2 __	Veneer Tier 2	+2,321
T3 __	Veneer Tier 3	+7,008
GC01	Clear Glass, back painted, white	+12,639
GC __	Clear Glass, back painted, color	+17,189
GE01	Etched matte Glass, back painted, white	+15,572
GE __	Etched matte Glass, back painted, color	+20,447
CS01	Corian Glacier White	+24,139
QS __	Caesarstone	+45,115

Step 4. Power & Connectivity Access: Optional

TMHW	Tabletop, Metal lid, Hardwired, Qty 3	+6,624
TMPI	Tabletop, Metal lid, Plug In, Qty 3	+5,881
UMHW	Undermount, Hardwired, Qty 4	+3,560
UMPI	Undermount, Plug In, Qty 4	+2,576

Step 5. Microphone and/or Grommet Accommodations: Optional

MA __	Microphone hole (factory cut)	Qty __ x 321 each
GM __	2" Grommet Hole (factory cut), liner, lid, in matching metal finish	Qty __ x 423 each

Wire Management Column (sold separately)

Required with any technology selection

Pattern Number: 02WMC6X6	508
Pattern Number: 02WMC10X10	1,065

Step 1. Metal Finish for Wire Management Column

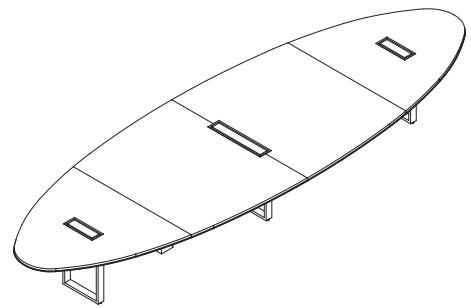
MC __		6x6	10x10
	Powder Coat	+0	+0
PM01	Polished Chrome	+749	+428
PM02	Satin Nickel	+749	+428
PM03	Oil Rubbed Bronze	+749	+428

Please consult [page 7](#) for the palette of DatesWeiser finishes. Natural stone, non-standard glass and veneer, and other technology options are available. Please email customerservice@datesweiser.com for a custom quote. Consult technical information on [page 280](#) for construction and technical details.

Highline Elliptical Conference Table

72"x228"/ 12 Person

02E72X228



Starting Price: **\$30,446**

72x228 table, veneer Tier 1 top with metal edge, open base, powder coat metal finish

Pattern Number: 02E72X228

Step 1. Top Material

V	Veneer
G	Glass
C	Corian
Q	Caesarstone

Step 2. Metal Finish

MC __	Powder Coat	+0
PM01	Polished Chrome	+589
PM02	Satin Nickel	+589
PM03	Oil Rubbed Bronze	+589

Step 3. Top Finish

T1 __	Veneer Tier 1	+0
T2 __	Veneer Tier 2	+2,461
T3 __	Veneer Tier 3	+7,442
GC01	Clear Glass, back painted, white	+13,466
GC __	Clear Glass, back painted, color	+18,345
GE01	Etched matte Glass, back painted, white	+16,547
GE __	Etched matte Glass, back painted, color	+21,769
CS01	Corian Glacier White	+25,658
Q __	Caesarstone*	+48,099

Step 4. Power & Connectivity Access: Optional

TMHW	Tabletop, Metal lid, Hardwired, Qty 3	+6,624
TMPI	Tabletop, Metal lid, Plug In, Qty 3	+5,881
UMHW	Undermount, Hardwired, Qty 6	+5,340
UMPI	Undermount, Plug In, Qty 6	+3,864

Step 5. Microphone and/or Grommet Accommodations: Optional

MA __	Microphone hole (factory cut)	Qty __ x 321 each
GM __	2" Grommet Hole (factory cut), liner, lid, in matching metal finish	Qty __ x 423 each

Wire Management Column (sold separately)

Required with any technology selection

Pattern Number: 02WMC6X6	508
Pattern Number: 02WMC10X10	1,065

Step 1. Metal Finish for Wire Management Column

		6x6	10x10
MC __	Powder Coat	+0	+0
PM01	Polished Chrome	+749	+428
PM02	Satin Nickel	+749	+428
PM03	Oil Rubbed Bronze	+749	+428

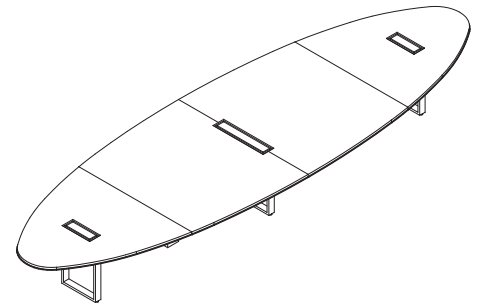
Please consult [page 7](#) for the palette of DatesWeiser finishes. Natural stone, non-standard glass and veneer, and other technology options are available. Please email customerservice@datesweiser.com for a custom quote. Consult technical information on [page 280](#) for construction and technical details.

*Tables with a Caesarstone finish require a 5-section top.

Highline Elliptical Conference Table

72"x240"/ 20 Person

02E72X240



Starting Price: **\$31,163**

72x240 table, veneer Tier 1 top with metal edge, open base, powder coat metal finish

Pattern Number: 02E72X240

Step 1. Top Material

V	Veneer
G	Glass
C	Corian
Q	Caesarstone

Step 2. Metal Finish

MC __	Powder Coat	+0
PM01	Polished Chrome	+589
PM02	Satin Nickel	+589
PM03	Oil Rubbed Bronze	+589

Step 3. Top Finish

T1 __	Veneer Tier 1	+0
T2 __	Veneer Tier 2	+2,600
T3 __	Veneer Tier 3	+7,768
GC01	Clear Glass, back painted, white	+14,020
GC __	Clear Glass, back painted, color	+19,040
GE01	Etched matte Glass, back painted, white	+17,271
GE __	Etched matte Glass, back painted, color	+22,652
CS01	Corian Glacier White	+26,883
QS __	Caesarstone*	+50,102

Step 4. Power & Connectivity Access: Optional

TMHW	Tabletop, Metal lid, Hardwired, Qty 3	+6,624
TMPI	Tabletop, Metal lid, Plug In, Qty 3	+5,881
UMHW	Undermount, Hardwired, Qty 6	+5,340
UMPI	Undermount, Plug In, Qty 6	+3,864

Step 5. Microphone and/or Grommet Accommodations: Optional

MA __	Microphone hole (factory cut)	Qty __ x 321 each
GM __	2" Grommet Hole (factory cut), liner, lid, in matching metal finish	Qty __ x 423 each

Wire Management Column (sold separately)

Required with any technology selection

Pattern Number: 02WMC6X6	508
Pattern Number: 02WMC10X10	1,065

Step 1. Metal Finish for Wire Management Column

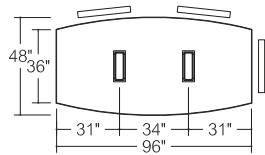
		6x6	10x10
MC __	Powder Coat	+0	+0
PM01	Polished Chrome	+749	+428
PM02	Satin Nickel	+749	+428
PM03	Oil Rubbed Bronze	+749	+428

Please consult [page 7](#) for the palette of DatesWeiser finishes. Natural stone, non-standard glass and veneer, and other technology options are available. Please email customerservice@datesweiser.com for a custom quote. Consult technical information on [page 280](#) for construction and technical details.

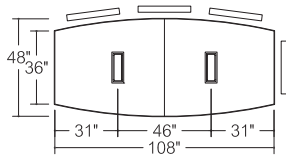
*Tables with a Caesarstone finish require a 5-section top.

Highline Boat Shaped Tables Index

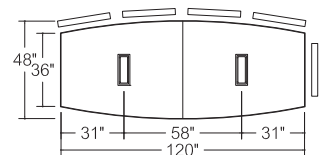
48"-72" width



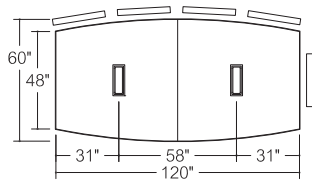
O2B48X96
6 Person Table



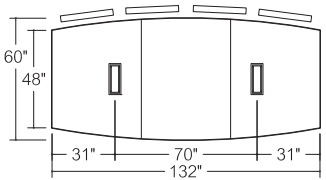
O2B48X108
8 Person Table



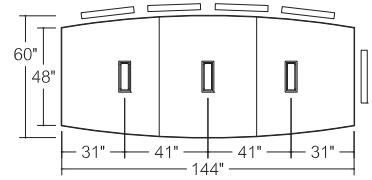
O2B48X120
10 Person Table



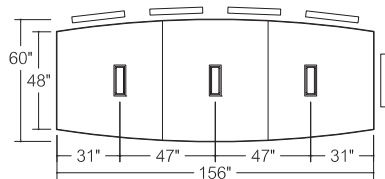
O2B60X120
10 Person Table



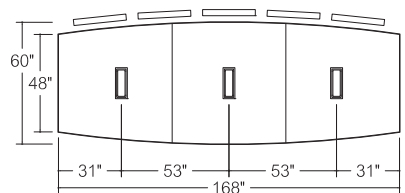
O2B60X132
10 Person Table



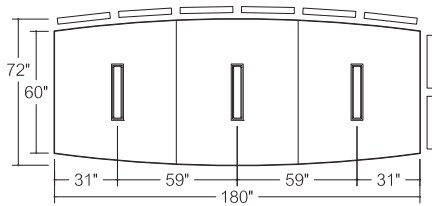
O2B60X144
10 Person Table



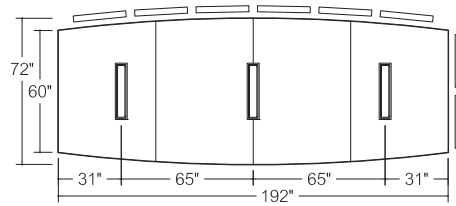
O2B60X156
10 Person Table



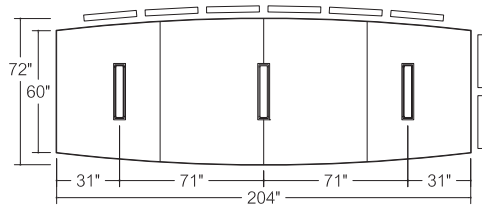
O2B60X168
12 Person Table



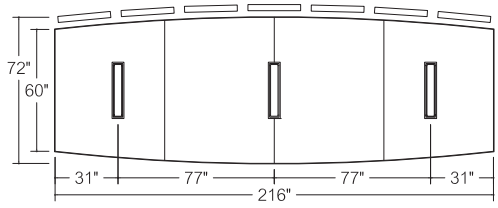
02B72X180
16 Person Table



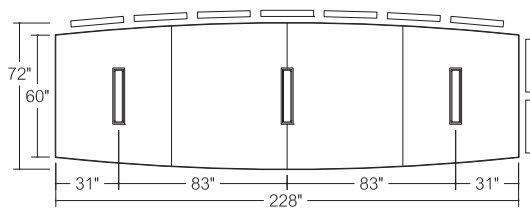
02B72X192
16 Person Table



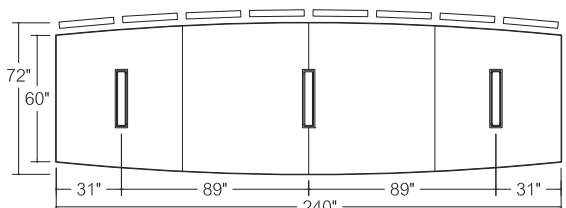
02B72X204
16 Person Table



02B72X216
18 Person Table



02B72X228
18 Person Table

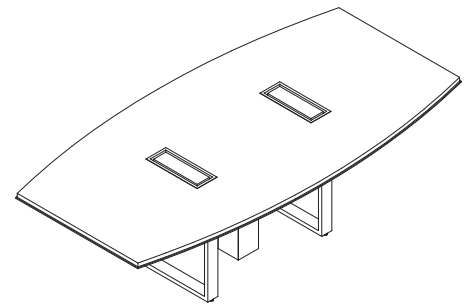


02B72X240
20 Person Table

Highline Boat Conference Table

48"x96"/ 6 Person

02B48X96



Starting Price: **\$15,620**

48/36x96 table, veneer Tier 1 top with metal edge, open base, powder coat metal finish

Pattern Number: 02B48X96

Step 1. Top Material

V	Veneer
G	Glass
C	Corian
Q	Caesarstone

Step 2. Metal Finish

MC __	Powder Coat	+0
PM01	Polished Chrome	+294
PM02	Satin Nickel	+294
PM03	Oil Rubbed Bronze	+294

Step 3. Top Finish

T1 __	Veneer Tier 1	+0
T2 __	Veneer Tier 2	+690
T3 __	Veneer Tier 3	+2,082
GC01	Clear Glass, back painted, white	+2,839
GC __	Clear Glass, back painted, color	+4,890
GE01	Etched matte Glass, back painted, white	+3,696
GE __	Etched matte Glass, back painted, color	+5,842
CS01	Corian Glacier White	+6,918
QS __	Caesarstone	+15,932

Step 4. Power & Connectivity Access: Optional

TMHW	Tabletop, Metal lid, Hardwired, Qty 2	+3,996
TMPI	Tabletop, Metal lid, Plug In, Qty 2	+3,498
UMHW	Undermount, Hardwired, Qty 4	+3,560
UMPI	Undermount, Plug In, Qty 4	+2,576

Step 5. Microphone and/or Grommet Accommodations: Optional

MA __	Microphone hole (factory cut)	Qty __ x 321 each
GM __	2" Grommet Hole (factory cut), liner, lid, in matching metal finish	Qty __ x 423 each

Wire Management Column (sold separately)

Required with any technology selection

Pattern Number: 02WMC6X6	508
Pattern Number: 02WMC10X10	1,065

Step 1. Metal Finish for Wire Management Column

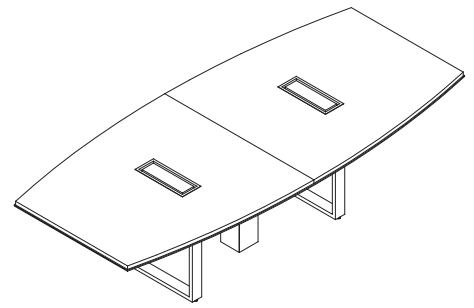
		6x6	10x10
MC __	Powder Coat	+0	+0
PM01	Polished Chrome	+749	+428
PM02	Satin Nickel	+749	+428
PM03	Oil Rubbed Bronze	+749	+428

Please consult [page 7](#) for the palette of DatesWeiser finishes. Natural stone, non-standard glass and veneer, and other technology options are available. Please email customerservice@datesweiser.com for a custom quote. Consult technical information on [page 280](#) for construction and technical details.

Highline Boat Conference Table

48"x108"/ 8 Person

02B48X108



Starting Price: **\$16,082**

48/36x108 table, veneer Tier 1 top with metal edge, open base, powder coat metal finish

Pattern Number: 02B48X108

Step 1. Top Material

V	Veneer
G	Glass
C	Corian
Q	Caesarstone

Step 2. Metal Finish

MC __	Powder Coat	+0
PM01	Polished Chrome	+294
PM02	Satin Nickel	+294
PM03	Oil Rubbed Bronze	+294

Step 3. Top Finish

T1 __	Veneer Tier 1	+0
T2 __	Veneer Tier 2	+781
T3 __	Veneer Tier 3	+2,333
GC01	Clear Glass, back painted, white	+3,650
GC __	Clear Glass, back painted, color	+5,842
GE01	Etched matte Glass, back painted, white	+4,632
GE __	Etched matte Glass, back painted, color	+6,998
CS01	Corian Glacier White	+8,148
QS __	Caesarstone	+17,840

Step 4. Power & Connectivity Access: Optional

TMHW	Tabletop, Metal lid, Hardwired, Qty 2	+3,996
TMPI	Tabletop, Metal lid, Plug In, Qty 2	+3,498
UMHW	Undermount, Hardwired, Qty 4	+3,560
UMPI	Undermount, Plug In, Qty 4	+2,576

Step 5. Microphone and/or Grommet Accommodations: Optional

MA __	Microphone hole (factory cut)	Qty __ x 321 each
GM __	2" Grommet Hole (factory cut), liner, lid, in matching metal finish	Qty __ x 423 each

Wire Management Column (sold separately)

Required with any technology selection

Pattern Number: 02WMC6X6	508
Pattern Number: 02WMC10X10	1,065

Step 1. Metal Finish for Wire Management Column

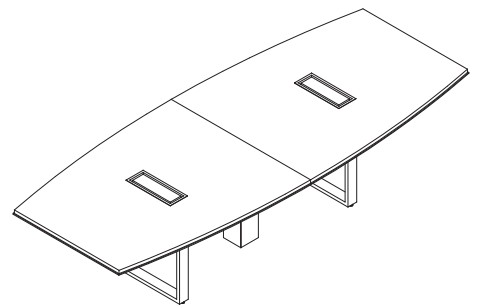
		6x6	10x10
MC __	Powder Coat	+0	+0
PM01	Polished Chrome	+749	+428
PM02	Satin Nickel	+749	+428
PM03	Oil Rubbed Bronze	+749	+428

Please consult [page 7](#) for the palette of DatesWeiser finishes. Natural stone, non-standard glass and veneer, and other technology options are available. Please email customerservice@datesweiser.com for a custom quote. Consult technical information on [page 280](#) for construction and technical details.

Highline Boat Conference Table

48"x120"/ 10 Person

02B48X120



Starting Price: **\$17,084**

48/36x120 table, veneer Tier 1 top with metal edge, open base, powder coat metal finish

Pattern Number: 02B48X120

Step 1. Top Material

V	Veneer
G	Glass
C	Corian
Q	Caesarstone

Step 2. Metal Finish

MC __	Powder Coat	+0
PM01	Polished Chrome	+294
PM02	Satin Nickel	+294
PM03	Oil Rubbed Bronze	+294

Step 3. Top Finish

T1 __	Veneer Tier 1	+0
T2 __	Veneer Tier 2	+861
T3 __	Veneer Tier 3	+2,594
GC01	Clear Glass, back painted, white	+4,594
GC __	Clear Glass, back painted, color	+7,003
GE01	Etched matte Glass, back painted, white	+5,702
GE __	Etched matte Glass, back painted, color	+8,233
CS01	Corian Glacier White	+9,549
QS __	Caesarstone	+20,202

Step 4. Power & Connectivity Access: Optional

TMHW	Tabletop, Metal lid, Hardwired, Qty 2	+3,996
TMPI	Tabletop, Metal lid, Plug In, Qty 2	+3,498
UMHW	Undermount, Hardwired, Qty 6	+5,340
UMPI	Undermount, Plug In, Qty 6	+3,864

Step 5. Microphone and/or Grommet Accommodations: Optional

MA __	Microphone hole (factory cut)	Qty __ x 321 each
GM __	2" Grommet Hole (factory cut), liner, lid, in matching metal finish	Qty __ x 423 each

Wire Management Column (sold separately)

Required with any technology selection

Pattern Number: 02WMC6X6	508
Pattern Number: 02WMC10X10	1,065

Step 1. Metal Finish for Wire Management Column

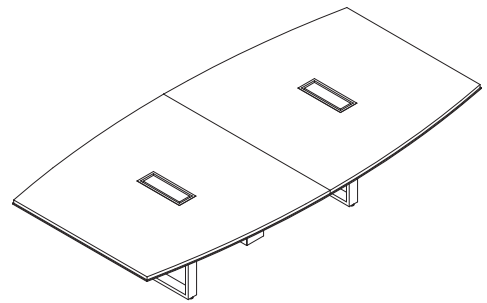
		6x6	10x10
MC __	Powder Coat	+0	+0
PM01	Polished Chrome	+749	+428
PM02	Satin Nickel	+749	+428
PM03	Oil Rubbed Bronze	+749	+428

Please consult [page 7](#) for the palette of DatesWeiser finishes. Natural stone, non-standard glass and veneer, and other technology options are available. Please email customerservice@datesweiser.com for a custom quote. Consult technical information on [page 280](#) for construction and technical details.

Highline Boat Conference Table

60"x120"/ 10 Person

02B60X120



Starting Price: **\$17,205**

60/48 x120 table, veneer Tier 1 top with metal edge, open base, powder coat metal finish

Pattern Number: 02B60X120

Step 1. Top Material

V	Veneer
G	Glass
C	Corian
Q	Caesarstone

Step 2. Metal Finish

MC __	Powder Coat	+0
PM01	Polished Chrome	+294
PM02	Satin Nickel	+294
PM03	Oil Rubbed Bronze	+294

Step 3. Top Finish

T1 __	Veneer Tier 1	+0
T2 __	Veneer Tier 2	+1,086
T3 __	Veneer Tier 3	+3,418
GC01	Clear Glass, back painted, white	+5,477
GC __	Clear Glass, back painted, color	+7,998
GE01	Etched matte Glass, back painted, white	+6,815
GE __	Etched matte Glass, back painted, color	+9,485
CS01	Corian Glacier White	+11,165
QS __	Caesarstone	+22,512

Step 4. Power & Connectivity Access: Optional

TMHW	Tabletop, Metal lid, Hardwired, Qty 2	+3,996
TMPI	Tabletop, Metal lid, Plug In, Qty 2	+3,498
UMHW	Undermount, Hardwired, Qty 6	+5,340
UMPI	Undermount, Plug In, Qty 6	+3,864

Step 5. Microphone and/or Grommet Accommodations: Optional

MA __	Microphone hole (factory cut)	Qty __ x 321 each
GM __	2" Grommet Hole (factory cut), liner, lid, in matching metal finish	Qty __ x 423 each

Wire Management Column (sold separately)

Required with any technology selection

Pattern Number: 02WMC6X6	508
Pattern Number: 02WMC10X10	1,065

Step 1. Metal Finish for Wire Management Column

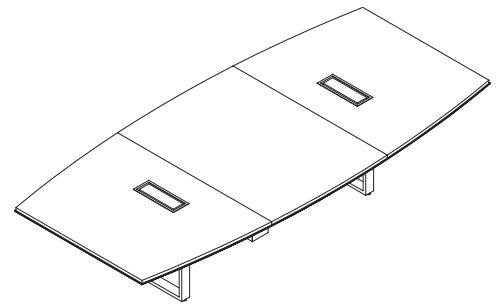
		6x6	10x10
MC __	Powder Coat	+0	+0
PM01	Polished Chrome	+749	+428
PM02	Satin Nickel	+749	+428
PM03	Oil Rubbed Bronze	+749	+428

Please consult [page 7](#) for the palette of DatesWeiser finishes. Natural stone, non-standard glass and veneer, and other technology options are available. Please email customerservice@datesweiser.com for a custom quote. Consult technical information on [page 280](#) for construction and technical details.

Highline Boat Conference Table

60"x132"/ 10 Person

02B60X132



Starting Price: **\$20,296**

60/48x132 table, veneer Tier 1 top with metal edge, open base, powder coat metal finish

Pattern Number: 02B60X132

Step 1. Top Material

V	Veneer
G	Glass
C	Corian
Q	Caesarstone

Step 2. Metal Finish

MC __	Powder Coat	+0
PM01	Polished Chrome	+444
PM02	Satin Nickel	+444
PM03	Oil Rubbed Bronze	+444

Step 3. Top Finish

T1 __	Veneer Tier 1	+0
T2 __	Veneer Tier 2	+1,182
T3 __	Veneer Tier 3	+3,595
GC01	Clear Glass, back painted, white	+6,516
GC __	Clear Glass, back painted, color	+9,496
GE01	Etched matte Glass, back painted, white	+7,1065
GE __	Etched matte Glass, back painted, color	+11,138
CS01	Corian Glacier White	+13,038
QS __	Caesarstone	+26,371

Step 4. Power & Connectivity Access: Optional

TMHW	Tabletop, Metal lid, Hardwired, Qty 2	+3,996
TMPI	Tabletop, Metal lid, Plug In, Qty 2	+3,498
UMHW	Undermount, Hardwired, Qty 6	+5,340
UMPI	Undermount, Plug In, Qty 6	+3,864

Step 5. Microphone and/or Grommet Accommodations: Optional

MA __	Microphone hole (factory cut)	Qty __ x 321 each
GM __	2" Grommet Hole (factory cut), liner, lid, in matching metal finish	Qty __ x 423 each

Wire Management Column (sold separately)

Required with any technology selection

Pattern Number: 02WMC6X6	508
Pattern Number: 02WMC10X10	1,065

Step 1. Metal Finish for Wire Management Column

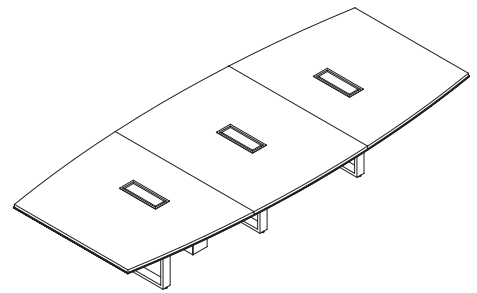
		6x6	10x10
MC __	Powder Coat	+0	+0
PM01	Polished Chrome	+749	+428
PM02	Satin Nickel	+749	+428
PM03	Oil Rubbed Bronze	+749	+428

Please consult [page 7](#) for the palette of DatesWeiser finishes. Natural stone, non-standard glass and veneer, and other technology options are available. Please email customerservice@datesweiser.com for a custom quote. Consult technical information on [page 280](#) for construction and technical details.

Highline Boat Conference Table

60"x144"/ 10 Person

02B60X144



Starting Price: **\$21,355**

60/48x144 table, veneer Tier 1 top with metal edge, open base, powder coat metal finish

Pattern Number: 02B60X144

Step 1. Top Material

V	Veneer
G	Glass
C	Corian
Q	Caesarstone

Step 2. Metal Finish

MC __	Powder Coat	+0
PM01	Polished Chrome	+444
PM02	Satin Nickel	+444
PM03	Oil Rubbed Bronze	+444

Step 3. Top Finish

T1 __	Veneer Tier 1	+0
T2 __	Veneer Tier 2	+1,305
T3 __	Veneer Tier 3	+3,884
GC01	Clear Glass, back painted, white	+7,027
GC __	Clear Glass, back painted, color	+10,181
GE01	Etched matte Glass, back painted, white	+8,673
GE __	Etched matte Glass, back painted, color	+12,011
CS01	Corian Glacier White	+14,065
QS __	Caesarstone	+28,233

Step 4. Power & Connectivity Access: Optional

TMHW	Tabletop, Metal lid, Hardwired, Qty 3	+5,994
TMPI	Tabletop, Metal lid, Plug In, Qty 3	+5,247
UMHW	Undermount, Hardwired, Qty 6	+5,340
UMPI	Undermount, Plug In, Qty 6	+3,864

Step 5. Microphone and/or Grommet Accommodations: Optional

MA __	Microphone hole (factory cut)	Qty __ x 321 each
GM __	2" Grommet Hole (factory cut), liner, lid, in matching metal finish	Qty __ x 423 each

Wire Management Column (sold separately)

Required with any technology selection

Pattern Number: 02WMC6X6	508
Pattern Number: 02WMC10X10	1,065

Step 1. Metal Finish for Wire Management Column

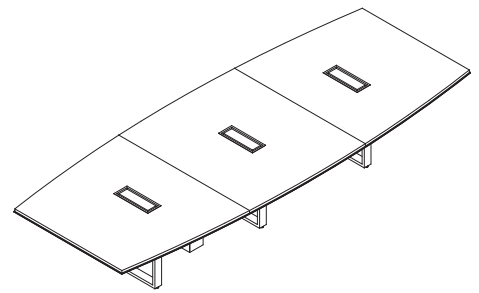
		6x6	10x10
MC __	Powder Coat	+0	+0
PM01	Polished Chrome	+749	+428
PM02	Satin Nickel	+749	+428
PM03	Oil Rubbed Bronze	+749	+428

Please consult [page 7](#) for the palette of DatesWeiser finishes. Natural stone, non-standard glass and veneer, and other technology options are available. Please email customerservice@datesweiser.com for a custom quote. Consult technical information on [page 280](#) for construction and technical details.

Highline Boat Conference Table

60"x156"/ 10 Person

02B60X156



Starting Price: **\$22,043**

60/48x156 table, veneer Tier 1 top with metal edge, open base, powder coat metal finish

Pattern Number: 02B60X156

Step 1. Top Material

V	Veneer
G	Glass
C	Corian
Q	Caesarstone

Step 2. Metal Finish

MC __	Powder Coat	+0
PM01	Polished Chrome	+444
PM02	Satin Nickel	+444
PM03	Oil Rubbed Bronze	+444

Step 3. Top Finish

T1 __	Veneer Tier 1	+0
T2 __	Veneer Tier 2	+1,412
T3 __	Veneer Tier 3	+4,221
GC01	Clear Glass, back painted, white	+7,580
GC __	Clear Glass, back painted, color	+10,871
GE01	Etched matte Glass, back painted, white	+9,375
GE __	Etched matte Glass, back painted, color	+12,867
CS01	Corian Glacier White	+15,066
QS __	Caesarstone	+29,909

Step 4. Power & Connectivity Access: Optional

TMHW	Tabletop, Metal lid, Hardwired, Qty 3	+5,994
TMPI	Tabletop, Metal lid, Plug In, Qty 3	+5,247
UMHW	Undermount, Hardwired, Qty 6	+5,340
UMPI	Undermount, Plug In, Qty 6	+3,864

Step 5. Microphone and/or Grommet Accommodations: Optional

MA __	Microphone hole (factory cut)	Qty __ x 321 each
GM __	2" Grommet Hole (factory cut), liner, lid, in matching metal finish	Qty __ x 423 each

Wire Management Column (sold separately)

Required with any technology selection

Pattern Number: 02WMC6X6	508
Pattern Number: 02WMC10X10	1,065

Step 1. Metal Finish for Wire Management Column

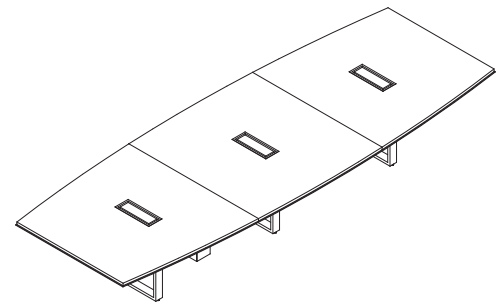
		6x6	10x10
MC __	Powder Coat	+0	+0
PM01	Polished Chrome	+749	+428
PM02	Satin Nickel	+749	+428
PM03	Oil Rubbed Bronze	+749	+428

Please consult [page 7](#) for the palette of DatesWeiser finishes. Natural stone, non-standard glass and veneer, and other technology options are available. Please email customerservice@datesweiser.com for a custom quote. Consult technical information on [page 280](#) for construction and technical details.

Highline Boat Conference Table

60"x168"/ 12 Person

02B60X168



Starting Price: **\$22,727**

60/48x168 table, veneer Tier 1 top with metal edge, open base, powder coat metal finish

Pattern Number: 02B60X168

Step 1. Top Material

V	Veneer
G	Glass
C	Corian
Q	Caesarstone

Step 2. Metal Finish

MC __	Powder Coat	+0
PM01	Polished Chrome	+444
PM02	Satin Nickel	+444
PM03	Oil Rubbed Bronze	+444

Step 3. Top Finish

T1 __	Veneer Tier 1	+0
T2 __	Veneer Tier 2	+1,557
T3 __	Veneer Tier 3	+4,574
GC01	Clear Glass, back painted, white	+8,114
GC __	Clear Glass, back painted, color	+11,540
GE01	Etched matte Glass, back painted, white	+9,986
GE __	Etched matte Glass, back painted, color	+13,621
CS01	Corian Glacier White	+16,007
QS __	Caesarstone	+31,501

Step 4. Power & Connectivity Access: Optional

TMHW	Tabletop, Metal lid, Hardwired, Qty 3	+5,994
TMPI	Tabletop, Metal lid, Plug In, Qty 3	+5,247
UMHW	Undermount, Hardwired, Qty 6	+5,340
UMPI	Undermount, Plug In, Qty 6	+3,864

Step 5. Microphone and/or Grommet Accommodations: Optional

MA __	Microphone hole (factory cut)	Qty __ x 321 each
GM __	2" Grommet Hole (factory cut), liner, lid, in matching metal finish	Qty __ x 423 each

Wire Management Column (sold separately)

Required with any technology selection

Pattern Number: 02WMC6X6	508
Pattern Number: 02WMC10X10	1,065

Step 1. Metal Finish for Wire Management Column

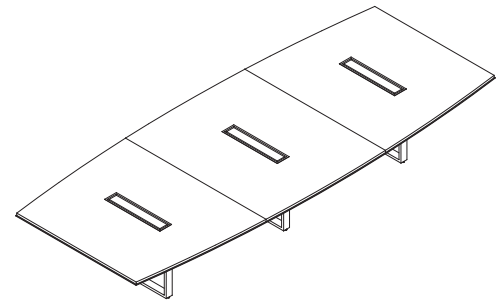
		6x6	10x10
MC __	Powder Coat	+0	+0
PM01	Polished Chrome	+749	+428
PM02	Satin Nickel	+749	+428
PM03	Oil Rubbed Bronze	+749	+428

Please consult [page 7](#) for the palette of DatesWeiser finishes. Natural stone, non-standard glass and veneer, and other technology options are available. Please email customerservice@datesweiser.com for a custom quote. Consult technical information on [page 280](#) for construction and technical details.

Highline Boat Conference Table

72"x180"/ 16 Person

02B72X180



Starting Price: **\$25,625**

72/60x180 table, veneer Tier 1 top with metal edge, open base, powder coat metal finish

Pattern Number: 02B72X180

Step 1. Top Material

V	Veneer
G	Glass
C	Corian
Q	Caesarstone

Step 2. Metal Finish

MC __	Powder Coat	+0
PM01	Polished Chrome	+444
PM02	Satin Nickel	+444
PM03	Oil Rubbed Bronze	+444

Step 3. Top Finish

T1 __	Veneer Tier 1	+0
T2 __	Veneer Tier 2	+1,959
T3 __	Veneer Tier 3	+5,832
GC01	Clear Glass, back painted, white	+10,159
GC __	Clear Glass, back painted, color	+14,135
GE01	Etched matte Glass, back painted, white	+12,576
GE __	Etched matte Glass, back painted, color	+16,821
CS01	Corian Glacier White	+19,918
QS __	Caesarstone*	+38,136

Step 4. Power & Connectivity Access: Optional

TMHW	Tabletop, Metal lid, Hardwired, Qty 3	+7,884
TMPI	Tabletop, Metal lid, Plug In, Qty 3	+7,149
UMHW	Undermount, Hardwired, Qty 8	+7,120
UMPI	Undermount, Plug In, Qty 8	+5,152

Step 5. Microphone and/or Grommet Accommodations: Optional

MA __	Microphone hole (factory cut)	Qty __ x 321 each
GM __	2" Grommet Hole (factory cut), liner, lid, in matching metal finish	Qty __ x 423 each

Wire Management Column (sold separately)

Required with any technology selection

Pattern Number: 02WMC6X6	508
Pattern Number: 02WMC10X10	1,065

Step 1. Metal Finish for Wire Management Column

		6x6	10x10
MC __	Powder Coat	+0	+0
PM01	Polished Chrome	+749	+428
PM02	Satin Nickel	+749	+428
PM03	Oil Rubbed Bronze	+749	+428

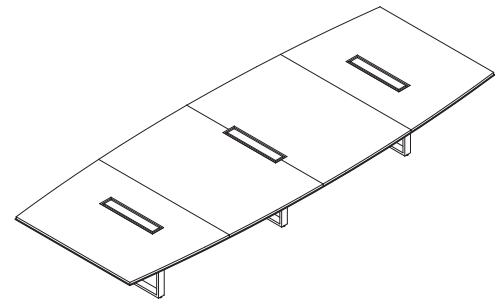
Please consult [page 7](#) for the palette of DatesWeiser finishes. Natural stone, non-standard glass and veneer, and other technology options are available. Please email customerservice@datesweiser.com for a custom quote. Consult technical information on [page 280](#) for construction and technical details.

*Tables with a Caesarstone finish require a 4-section top.

Highline Boat Conference Table

72"x192"/ 16 Person

02B72X192



Starting Price: \$27,917

72/60x192 table, veneer Tier 1 top with metal edge, open base, powder coat metal finish

Pattern Number: 02B72X192

Step 1. Top Material

V	Veneer
G	Glass
C	Corian
Q	Caesarstone

Step 2. Metal Finish

MC __	Powder Coat	+0
PM01	Polished Chrome	+589
PM02	Satin Nickel	+589
PM03	Oil Rubbed Bronze	+589

Step 3. Top Finish

T1 __	Veneer Tier 1	+0
T2 __	Veneer Tier 2	+2,071
T3 __	Veneer Tier 3	+6,233
GC01	Clear Glass, back painted, white	+11,215
GC __	Clear Glass, back painted, color	+15,564
GE01	Etched matte Glass, back painted, white	+13,830
GE __	Etched matte Glass, back painted, color	+18,469
CS01	Corian Glacier White	+21,743
QS __	Caesarstone	+41,606

Step 4. Power & Connectivity Access: Optional

TMHW	Tabletop, Metal lid, Hardwired, Qty 3	+7,884
TMPI	Tabletop, Metal lid, Plug In, Qty 3	+7,149
UMHW	Undermount, Hardwired, Qty 8	+7,120
UMPI	Undermount, Plug In, Qty 8	+5,152

Step 5. Microphone and/or Grommet Accommodations: Optional

MA __	Microphone hole (factory cut)	Qty __ x 321 each
GM __	2" Grommet Hole (factory cut), liner, lid, in matching metal finish	Qty __ x 423 each

Wire Management Column (sold separately)

Required with any technology selection

Pattern Number: 02WMC6X6	508
Pattern Number: 02WMC10X10	1,065

Step 1. Metal Finish for Wire Management Column

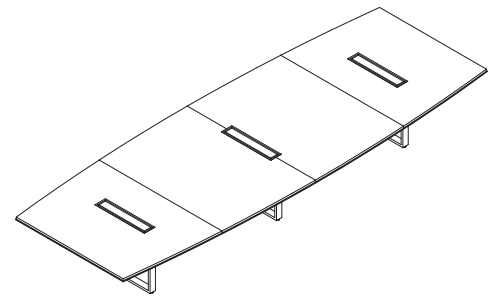
		6x6	10x10
MC __	Powder Coat	+0	+0
PM01	Polished Chrome	+749	+428
PM02	Satin Nickel	+749	+428
PM03	Oil Rubbed Bronze	+749	+428

Please consult [page 7](#) for the palette of DatesWeiser finishes. Natural stone, non-standard glass and veneer, and other technology options are available. Please email customerservice@datesweiser.com for a custom quote. Consult technical information on [page 280](#) for construction and technical details.

Highline Boat Conference Table

72"x204"/ 16 Person

02B72X204



Starting Price: \$28,741

72/60x204 table, veneer Tier 1 top with metal edge, open base, powder coat metal finish

Pattern Number: 02B72X204

Step 1. Top Material

V	Veneer
G	Glass
C	Corian
Q	Caesarstone

Step 2. Metal Finish

MC __	Powder Coat	+0
PM01	Polished Chrome	+589
PM02	Satin Nickel	+589
PM03	Oil Rubbed Bronze	+589

Step 3. Top Finish

T1 __	Veneer Tier 1	+0
T2 __	Veneer Tier 2	+2,204
T3 __	Veneer Tier 3	+6,650
GC01	Clear Glass, back painted, white	+11,807
GC __	Clear Glass, back painted, color	+16,312
GE01	Etched matte Glass, back painted, white	+14,551
GE __	Etched matte Glass, back painted, color	+19,362
CS01	Corian Glacier White	+22,914
QS __	Caesarstone	+43,576

Step 4. Power & Connectivity Access: Optional

TMHW	Tabletop, Metal lid, Hardwired, Qty 3	+7,884
TMPI	Tabletop, Metal lid, Plug In, Qty 3	+7,149
UMHW	Undermount, Hardwired, Qty 8	+7,120
UMPI	Undermount, Plug In, Qty 8	+5,152

Step 5. Microphone and/or Grommet Accommodations: Optional

MA __	Microphone hole (factory cut)	Qty __ x 321 each
GM __	2" Grommet Hole (factory cut), liner, lid, in matching metal finish	Qty __ x 423 each

Wire Management Column (sold separately)

Required with any technology selection

Pattern Number: 02WMC6X6	508
Pattern Number: 02WMC10X10	1,065

Step 1. Metal Finish for Wire Management Column

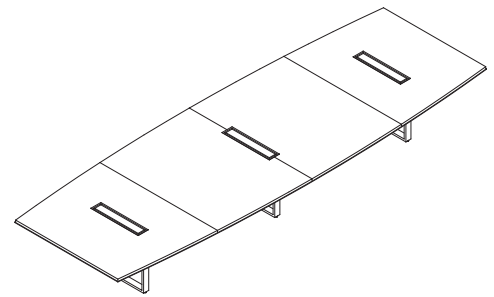
		6x6	10x10
MC __	Powder Coat	+0	+0
PM01	Polished Chrome	+749	+428
PM02	Satin Nickel	+749	+428
PM03	Oil Rubbed Bronze	+749	+428

Please consult [page 7](#) for the palette of DatesWeiser finishes. Natural stone, non-standard glass and veneer, and other technology options are available. Please email customerservice@datesweiser.com for a custom quote. Consult technical information on [page 280](#) for construction and technical details.

Highline Boat Conference Table

72"x216"/ 18 Person

02B72X216



Starting Price: **\$29,622**

72/60x216 table, veneer Tier 1 top with metal edge, open base, powder coat metal finish

Pattern Number: 02B72X216

Step 1. Top Material

V	Veneer
G	Glass
C	Corian
Q	Caesarstone

Step 2. Metal Finish

MC __	Powder Coat	+0
PM01	Polished Chrome	+589
PM02	Satin Nickel	+589
PM03	Oil Rubbed Bronze	+589

Step 3. Top Finish

T1 __	Veneer Tier 1	+0
T2 __	Veneer Tier 2	+2,365
T3 __	Veneer Tier 3	+7,046
GC01	Clear Glass, back painted, white	+12,450
GC __	Clear Glass, back painted, color	+17,125
GE01	Etched matte Glass, back painted, white	+15,364
GE __	Etched matte Glass, back painted, color	+20,362
CS01	Corian Glacier White	+24,139
QS __	Caesarstone	+45,644

Step 4. Power & Connectivity Access: Optional

TMHW	Tabletop, Metal lid, Hardwired, Qty 3	+7,884
TMPI	Tabletop, Metal lid, Plug In, Qty 3	+7,149
UMHW	Undermount, Hardwired, Qty 8	+7,120
UMPI	Undermount, Plug In, Qty 8	+5,152

Step 5. Microphone and/or Grommet Accommodations: Optional

MA __	Microphone hole (factory cut)	Qty __ x 321 each
GM __	2" Grommet Hole (factory cut), liner, lid, in matching metal finish	Qty __ x 423 each

Wire Management Column (sold separately)

Required with any technology selection

Pattern Number: 02WMC6X6	508
Pattern Number: 02WMC10X10	1,065

Step 1. Metal Finish for Wire Management Column

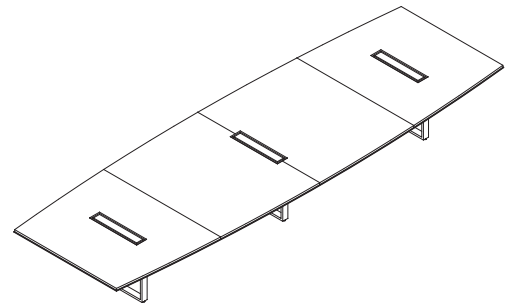
		6x6	10x10
MC __	Powder Coat	+0	+0
PM01	Polished Chrome	+749	+428
PM02	Satin Nickel	+749	+428
PM03	Oil Rubbed Bronze	+749	+428

Please consult [page 7](#) for the palette of DatesWeiser finishes. Natural stone, non-standard glass and veneer, and other technology options are available. Please email customerservice@datesweiser.com for a custom quote. Consult technical information on [page 280](#) for construction and technical details.

Highline Boat Conference Table

72"x228"/ 18 Person

02B72X228



Starting Price: **\$32,824**

72/60x228 table, veneer Tier 1 top with metal edge, open base, powder coat metal finish

Pattern Number: 02B72X228

Step 1. Top Material

V	Veneer
G	Glass
C	Corian
Q	Caesarstone

Step 2. Metal Finish

MC __	Powder Coat	+0
PM01	Polished Chrome	+589
PM02	Satin Nickel	+589
PM03	Oil Rubbed Bronze	+589

Step 3. Top Finish

T1 __	Veneer Tier 1	+0
T2 __	Veneer Tier 2	+2,456
T3 __	Veneer Tier 3	+7,378
GC01	Clear Glass, back painted, white	+13,343
GC __	Clear Glass, back painted, color	+18,474
GE01	Etched matte Glass, back painted, white	+16,392
GE __	Etched matte Glass, back painted, color	+21,860
CS01	Corian Glacier White	+25,825
QS __	Caesarstone*	+49,284

Step 4. Power & Connectivity Access: Optional

TMHW	Tabletop, Metal lid, Hardwired, Qty 3	+7,884
TMPI	Tabletop, Metal lid, Plug In, Qty 3	+7,149
UMHW	Undermount, Hardwired, Qty 8	+7,120
UMPI	Undermount, Plug In, Qty 8	+5,152

Step 5. Microphone and/or Grommet Accommodations: Optional

MA __	Microphone hole (factory cut)	Qty __ x 321 each
GM __	2" Grommet Hole (factory cut), liner, lid, in matching metal finish	Qty __ x 423 each

Wire Management Column (sold separately)

Required with any technology selection

Pattern Number: 02WMC6X6	508
Pattern Number: 02WMC10X10	1,065

Step 1. Metal Finish for Wire Management Column

		6x6	10x10
MC __	Powder Coat	+0	+0
PM01	Polished Chrome	+749	+428
PM02	Satin Nickel	+749	+428
PM03	Oil Rubbed Bronze	+749	+428

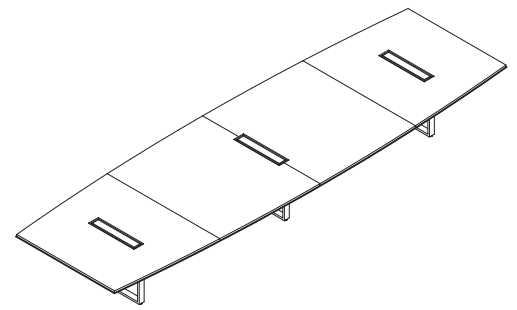
Please consult [page 7](#) for the palette of DatesWeiser finishes. Natural stone, non-standard glass and veneer, and other technology options are available. Please email customerservice@datesweiser.com for a custom quote. Consult technical information on [page 280](#) for construction and technical details.

*Tables with a Caesarstone finish require a 5-section top.

Highline Boat Conference Table

72"x240"/ 20 Person

02B72X240



Starting Price: **\$33,556**

72/60x240 table, veneer Tier 1 top with metal edge, open base, powder coat metal finish

Pattern Number: 02B72X240

Step 1. Top Material

V	Veneer
G	Glass
C	Corian
Q	Caesarstone

Step 2. Metal Finish

MC __	Powder Coat	+0
PM01	Polished Chrome	+589
PM02	Satin Nickel	+589
PM03	Oil Rubbed Bronze	+589

Step 3. Top Finish

T1 __	Veneer Tier 1	+0
T2 __	Veneer Tier 2	+2,627
T3 __	Veneer Tier 3	+7,827
GC01	Clear Glass, back painted, white	+13,964
GC __	Clear Glass, back painted, color	+19,244
GE01	Etched matte Glass, back painted, white	+17,184
GE __	Etched matte Glass, back painted, color	+22,823
CS01	Corian Glacier White	+26,954
QS __	Caesarstone*	+51,157

Step 4. Power & Connectivity Access: Optional

TMHW	Tabletop, Metal lid, Hardwired, Qty 3	+7,884
TMPI	Tabletop, Metal lid, Plug In, Qty 3	+7,149
UMHW	Undermount, Hardwired, Qty 10	+8,900
UMPI	Undermount, Plug In, Qty 10	+6,440

Step 5. Microphone and/or Grommet Accommodations: Optional

MA __	Microphone hole (factory cut)	Qty __ x 321 each
GM __	2" Grommet Hole (factory cut), liner, lid, in matching metal finish	Qty __ x 423 each

Wire Management Column (sold separately)

Required with any technology selection

Pattern Number: 02WMC6X6	508
Pattern Number: 02WMC10X10	1,065

Step 1. Metal Finish for Wire Management Column

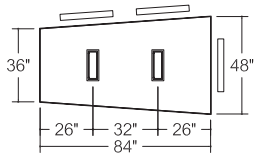
		6x6	10x10
MC __	Powder Coat	+0	+0
PM01	Polished Chrome	+749	+428
PM02	Satin Nickel	+749	+428
PM03	Oil Rubbed Bronze	+749	+428

Please consult [page 7](#) for the palette of DatesWeiser finishes. Natural stone, non-standard glass and veneer, and other technology options are available. Please email customerservice@datesweiser.com for a custom quote. Consult technical information on [page 280](#) for construction and technical details.

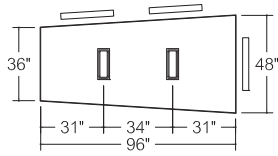
*Tables with a Caesarstone finish require a 5-section top.

Highline Trapezoid Tables Index

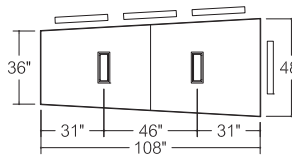
48"-72" width



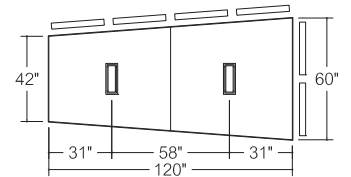
O2T48X84
6 Person Table



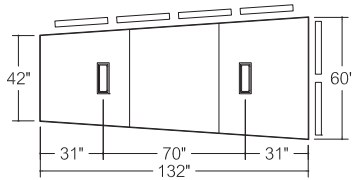
O2T48X96
6 Person Table



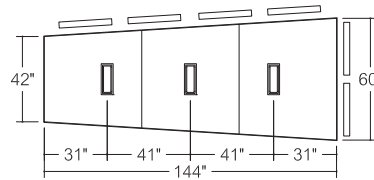
O2T48X108
8 Person Table



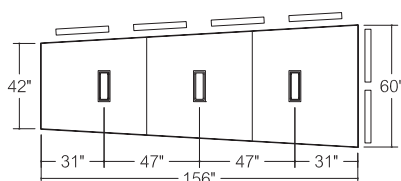
O2T60X120
11 Person Table



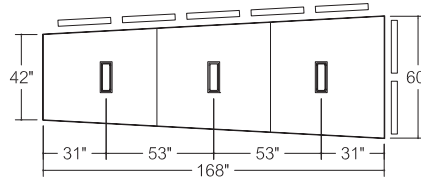
O2T60X132
11 Person Table



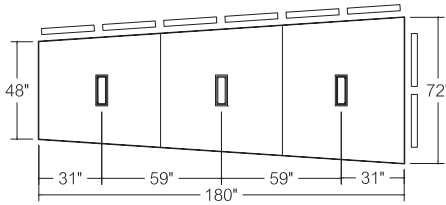
O2T60X144
11 Person Table



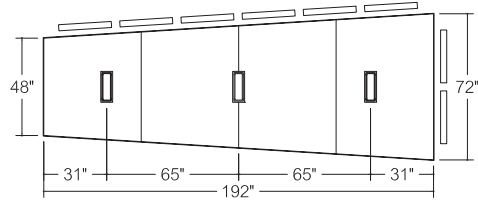
O2T60X156
13 Person Table



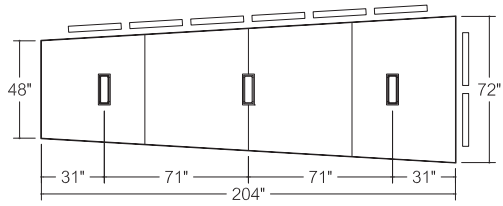
O2T60X168
13 Person Table



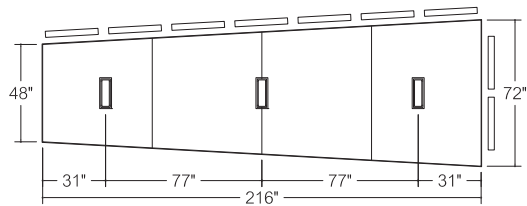
O2T72X180
15 Person Table



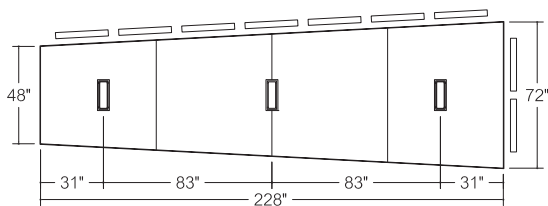
O2T72X192
15 Person Table



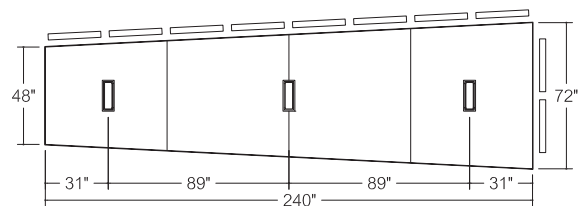
O2T72X204
15 Person Table



O2T72X216
17 Person Table



O2T72X228
17 Person Table

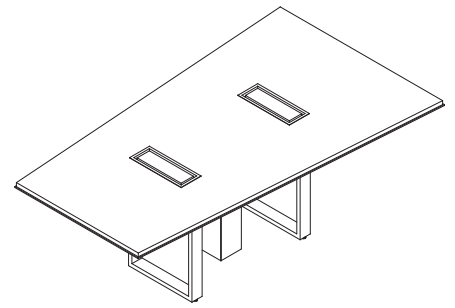


O2T72X240
19 Person Table

Highline Trapezoid Conference Table

48"x84"/ 6 Person

02T48X84



Starting Price: **\$10,150**

48/36x84 table, veneer Tier 1 top with metal edge, open base, powder coat metal finish

Pattern Number: 02T48X84

Step 1. Top Material

V	Veneer
G	Glass
C	Corian
Q	Caesarstone

Step 2. Metal Finish

MC __	Powder Coat	+0
PM01	Polished Chrome	+294
PM02	Satin Nickel	+294
PM03	Oil Rubbed Bronze	+294

Step 3. Top Finish

T1 __	Veneer Tier 1	+0
T2 __	Veneer Tier 2	+535
T3 __	Veneer Tier 3	+1,600
GC01	Clear Glass, back painted, white	+2,162
GC __	Clear Glass, back painted, color	+3,531
GE01	Etched matte Glass, back painted, white	+2,827
GE __	Etched matte Glass, back painted, color	+4,269
CS01	Corian Glacier White	+5,083
QS __	Caesarstone	+11,175

Step 4. Power & Connectivity Access: Optional

TMHW	Tabletop, Metal lid, Hardwired, Qty 2	+3,996
TMPI	Tabletop, Metal lid, Plug In, Qty 2	+3,498
UMHW	Undermount, Hardwired, Qty 4	+3,560
UMPI	Undermount, Plug In, Qty 4	+2,576

Step 5. Microphone and/or Grommet Accommodations: Optional

MA __	Microphone hole (factory cut)	Qty __ x 321 each
GM __	2" Grommet Hole (factory cut), liner, lid, in matching metal finish	Qty __ x 423 each

Wire Management Column (sold separately)

Required with any technology selection

Pattern Number: 02WMC6X6	508
Pattern Number: 02WMC10X10	1,065

Step 1. Metal Finish for Wire Management Column

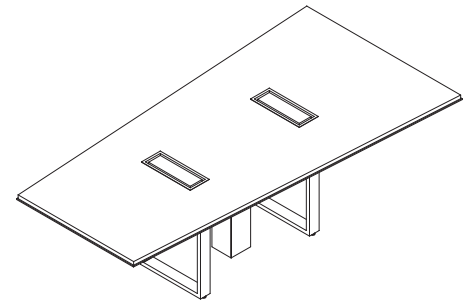
		6x6	10x10
MC __	Powder Coat	+0	+0
PM01	Polished Chrome	+749	+428
PM02	Satin Nickel	+749	+428
PM03	Oil Rubbed Bronze	+749	+428

Please consult [page 7](#) for the palette of DatesWeiser finishes. Natural stone, non-standard glass and veneer, and other technology options are available. Please email customerservice@datesweiser.com for a custom quote. Consult technical information on [page 280](#) for construction and technical details.

Highline Trapezoid Conference Table

48"x96"/ 6 Person

02T48X96



Starting Price: **\$10,892**

48/36x96 table, veneer Tier 1 top with metal edge, open base, powder coat metal finish

Pattern Number: 02T48X96

Step 1. Top Material

V	Veneer
G	Glass
C	Corian
Q	Caesarstone

Step 2. Metal Finish

MC __	Powder Coat	+0
PM01	Polished Chrome	+294
PM02	Satin Nickel	+294
PM03	Oil Rubbed Bronze	+294

Step 3. Top Finish

T1 __	Veneer Tier 1	+0
T2 __	Veneer Tier 2	+615
T3 __	Veneer Tier 3	+1,824
GC01	Clear Glass, back painted, white	+2,204
GC __	Clear Glass, back painted, color	+3,659
GE01	Etched matte Glass, back painted, white	+2,960
GE __	Etched matte Glass, back painted, color	+4,499
CS01	Corian Glacier White	+5,419
QS __	Caesarstone	+11,944

Step 4. Power & Connectivity Access: Optional

TMHW	Tabletop, Metal lid, Hardwired, Qty 2	+3,996
TMPI	Tabletop, Metal lid, Plug In, Qty 2	+3,498
UMHW	Undermount, Hardwired, Qty 4	+3,560
UMPI	Undermount, Plug In, Qty 4	+2,576

Step 5. Microphone and/or Grommet Accommodations: Optional

MA __	Microphone hole (factory cut)	Qty __ x 321 each
GM __	2" Grommet Hole (factory cut), liner, lid, in matching metal finish	Qty __ x 423 each

Wire Management Column (sold separately)

Required with any technology selection

Pattern Number: 02WMC6X6	508
Pattern Number: 02WMC10X10	1,065

Step 1. Metal Finish for Wire Management Column

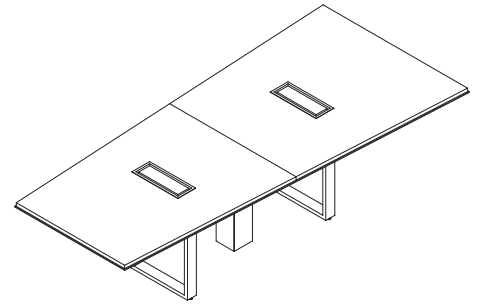
		6x6	10x10
MC __	Powder Coat	+0	+0
PM01	Polished Chrome	+749	+428
PM02	Satin Nickel	+749	+428
PM03	Oil Rubbed Bronze	+749	+428

Please consult [page 7](#) for the palette of DatesWeiser finishes. Natural stone, non-standard glass and veneer, and other technology options are available. Please email customerservice@datesweiser.com for a custom quote. Consult technical information on [page 280](#) for construction and technical details.

Highline Trapezoid Conference Table

48"x108"/ 8 Person

02T48X108



Starting Price: **\$11,286**

48/36x108 table, veneer Tier 1 top with metal edge, open base, powder coat metal finish

Pattern Number: 02T48X108

Step 1. Top Material

V	Veneer
G	Glass
C	Corian
Q	Caesarstone

Step 2. Metal Finish

MC __	Powder Coat	+0
PM01	Polished Chrome	+294
PM02	Satin Nickel	+294
PM03	Oil Rubbed Bronze	+294

Step 3. Top Finish

T1 __	Veneer Tier 1	+0
T2 __	Veneer Tier 2	+691
T3 __	Veneer Tier 3	+2,055
GC01	Clear Glass, back painted, white	+3,249
GC __	Clear Glass, back painted, color	+4,864
GE01	Etched matte Glass, back painted, white	+4,101
GE __	Etched matte Glass, back painted, color	+5,810
CS01	Corian Glacier White	+6,848
QS __	Caesarstone	+14,102

Step 4. Power & Connectivity Access: Optional

TMHW	Tabletop, Metal lid, Hardwired, Qty 2	+3,996
TMPI	Tabletop, Metal lid, Plug In, Qty 2	+3,498
UMHW	Undermount, Hardwired, Qty 4	+3,560
UMPI	Undermount, Plug In, Qty 4	+2,576

Step 5. Microphone and/or Grommet Accommodations: Optional

MA __	Microphone hole (factory cut)	Qty __ x 321 each
GM __	2" Grommet Hole (factory cut), liner, lid, in matching metal finish	Qty __ x 423 each

Wire Management Column (sold separately)

Required with any technology selection

Pattern Number: 02WMC6X6	508
Pattern Number: 02WMC10X10	1,065

Step 1. Metal Finish for Wire Management Column

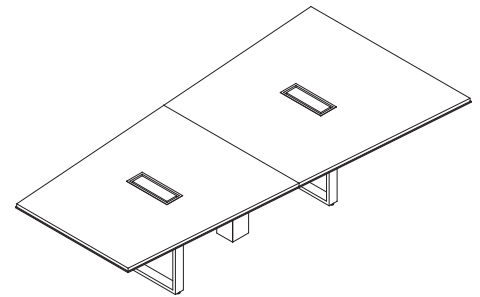
		6x6	10x10
MC __	Powder Coat	+0	+0
PM01	Polished Chrome	+749	+428
PM02	Satin Nickel	+749	+428
PM03	Oil Rubbed Bronze	+749	+428

Please consult [page 7](#) for the palette of DatesWeiser finishes. Natural stone, non-standard glass and veneer, and other technology options are available. Please email customerservice@datesweiser.com for a custom quote. Consult technical information on [page 280](#) for construction and technical details.

Highline Trapezoid Conference Table

60"x120"/ 11 Person

02T60X120



Starting Price: **\$14,046**

60/42x120 table, veneer Tier 1 top with metal edge, open base, powder coat metal finish

Pattern Number: 02T60X120

Step 1. Top Material

V	Veneer
G	Glass
C	Corian
Q	Caesarstone

Step 2. Metal Finish

MC __	Powder Coat	+0
PM01	Polished Chrome	+294
PM02	Satin Nickel	+294
PM03	Oil Rubbed Bronze	+294

Step 3. Top Finish

T1 __	Veneer Tier 1	+0
T2 __	Veneer Tier 2	+1,081
T3 __	Veneer Tier 3	+3,263
GC01	Clear Glass, back painted, white	+5,837
GC __	Clear Glass, back painted, color	+8,046
GE01	Etched matte Glass, back painted, white	+6,939
GE __	Etched matte Glass, back painted, color	+9,271
CS01	Corian Glacier White	+10,973
QS __	Caesarstone	+20,979

Step 4. Power & Connectivity Access: Optional

TMHW	Tabletop, Metal lid, Hardwired, Qty 2	+3,996
TMPI	Tabletop, Metal lid, Plug In, Qty 2	+3,498
UMHW	Undermount, Hardwired, Qty 6	+5,340
UMPI	Undermount, Plug In, Qty 6	+3,864

Step 5. Microphone and/or Grommet Accommodations: Optional

MA __	Microphone hole (factory cut)	Qty __ x 321 each
GM __	2" Grommet Hole (factory cut), liner, lid, in matching metal finish	Qty __ x 423 each

Wire Management Column (sold separately)

Required with any technology selection

Pattern Number: 02WMC6X6	508
Pattern Number: 02WMC10X10	1,065

Step 1. Metal Finish for Wire Management Column

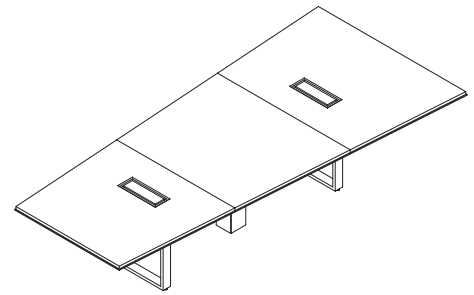
		6x6	10x10
MC __	Powder Coat	+0	+0
PM01	Polished Chrome	+749	+428
PM02	Satin Nickel	+749	+428
PM03	Oil Rubbed Bronze	+749	+428

Please consult [page 7](#) for the palette of DatesWeiser finishes. Natural stone, non-standard glass and veneer, and other technology options are available. Please email customerservice@datesweiser.com for a custom quote. Consult technical information on [page 280](#) for construction and technical details.

Highline Trapezoid Conference Table

60"x132"/ 11 Person

02T60X132



Starting Price: \$16,925

60/42x132 table, veneer Tier 1 top with metal edge, open base, powder coat metal finish

Pattern Number: 02T60X132

Step 1. Top Material

V	Veneer
G	Glass
C	Corian
Q	Caesarstone

Step 2. Metal Finish

MC __	Powder Coat	+0
PM01	Polished Chrome	+444
PM02	Satin Nickel	+444
PM03	Oil Rubbed Bronze	+444

Step 3. Top Finish

T1 __	Veneer Tier 1	+0
T2 __	Veneer Tier 2	+1,188
T3 __	Veneer Tier 3	+3,563
GC01	Clear Glass, back painted, white	+6,715
GC __	Clear Glass, back painted, color	+9,341
GE01	Etched matte Glass, back painted, white	+8,188
GE __	Etched matte Glass, back painted, color	+10,978
CS01	Corian Glacier White	+12,835
QS __	Caesarstone	+24,739

Step 4. Power & Connectivity Access: Optional

TMHW	Tabletop, Metal lid, Hardwired, Qty 2	+3,996
TMPI	Tabletop, Metal lid, Plug In, Qty 2	+3,498
UMHW	Undermount, Hardwired, Qty 6	+5,340
UMPI	Undermount, Plug In, Qty 6	+3,864

Step 5. Microphone and/or Grommet Accommodations: Optional

MA __	Microphone hole (factory cut)	Qty __ x 321 each
GM __	2" Grommet Hole (factory cut), liner, lid, in matching metal finish	Qty __ x 423 each

Wire Management Column (sold separately)

Required with any technology selection

Pattern Number: 02WMC6X6	508
Pattern Number: 02WMC10X10	1,065

Step 1. Metal Finish for Wire Management Column

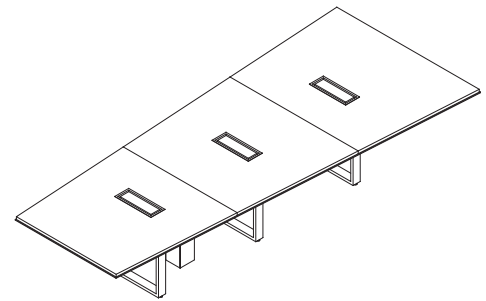
		6x6	10x10
MC __	Powder Coat	+0	+0
PM01	Polished Chrome	+749	+428
PM02	Satin Nickel	+749	+428
PM03	Oil Rubbed Bronze	+749	+428

Please consult [page 7](#) for the palette of DatesWeiser finishes. Natural stone, non-standard glass and veneer, and other technology options are available. Please email customerservice@datesweiser.com for a custom quote. Consult technical information on [page 280](#) for construction and technical details.

Highline Trapezoid Conference Table

60"x144"/ 11 Person

02T60X144



Starting Price: **\$17,763**

60/42x144 table, veneer Tier 1 top with metal edge, open base, powder coat metal finish

Pattern Number: 02T60X144

Step 1. Top Material

V	Veneer
G	Glass
C	Corian
Q	Caesarstone

Step 2. Metal Finish

MC __	Powder Coat	+0
PM01	Polished Chrome	+444
PM02	Satin Nickel	+444
PM03	Oil Rubbed Bronze	+444

Step 3. Top Finish

T1 __	Veneer Tier 1	+0
T2 __	Veneer Tier 2	+1,295
T3 __	Veneer Tier 3	+3,911
GC01	Clear Glass, back painted, white	+7,256
GC __	Clear Glass, back painted, color	+10,037
GE01	Etched matte Glass, back painted, white	+8,989
GE __	Etched matte Glass, back painted, color	+11,963
CS01	Corian Glacier White	+13,862
QS __	Caesarstone	+26,511

Step 4. Power & Connectivity Access: Optional

TMHW	Tabletop, Metal lid, Hardwired, Qty 3	+5,994
TMPI	Tabletop, Metal lid, Plug In, Qty 3	+5,247
UMHW	Undermount, Hardwired, Qty 6	+5,340
UMPI	Undermount, Plug In, Qty 6	+3,864

Step 5. Microphone and/or Grommet Accommodations: Optional

MA __	Microphone hole (factory cut)	Qty __ x 321 each
GM __	2" Grommet Hole (factory cut), liner, lid, in matching metal finish	Qty __ x 423 each

Wire Management Column (sold separately)

Required with any technology selection

Pattern Number: 02WMC6X6	508
Pattern Number: 02WMC10X10	1,065

Step 1. Metal Finish for Wire Management Column

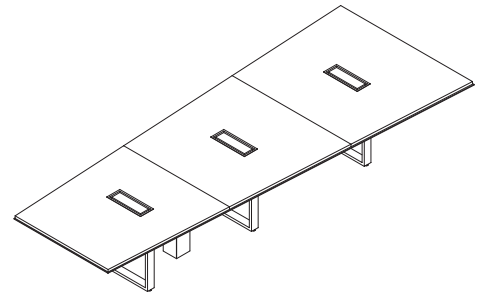
		6x6	10x10
MC __	Powder Coat	+0	+0
PM01	Polished Chrome	+749	+428
PM02	Satin Nickel	+749	+428
PM03	Oil Rubbed Bronze	+749	+428

Please consult [page 7](#) for the palette of DatesWeiser finishes. Natural stone, non-standard glass and veneer, and other technology options are available. Please email customerservice@datesweiser.com for a custom quote. Consult technical information on [page 280](#) for construction and technical details.

Highline Trapezoid Conference Table

60"x156"/ 13 Person

02T60X156



Starting Price: **\$18,201**

60/42x156 table, veneer Tier 1 top with metal edge, open base, powder coat metal finish

Pattern Number: 02T60X156

Step 1. Top Material

V	Veneer
G	Glass
C	Corian
Q	Caesarstone

Step 2. Metal Finish

MC __	Powder Coat	+0
PM01	Polished Chrome	+444
PM02	Satin Nickel	+444
PM03	Oil Rubbed Bronze	+444

Step 3. Top Finish

T1 __	Veneer Tier 1	+0
T2 __	Veneer Tier 2	+1,444
T3 __	Veneer Tier 3	+4,312
GC01	Clear Glass, back painted, white	+7,873
GC __	Clear Glass, back painted, color	+10,769
GE01	Etched matte Glass, back painted, white	+9,625
GE __	Etched matte Glass, back painted, color	+12,717
CS01	Corian Glacier White	+14,932
QS __	Caesarstone	+28,185

Step 4. Power & Connectivity Access: Optional

TMHW	Tabletop, Metal lid, Hardwired, Qty 3	+5,994
TMPI	Tabletop, Metal lid, Plug In, Qty 3	+5,247
UMHW	Undermount, Hardwired, Qty 6	+5,340
UMPI	Undermount, Plug In, Qty 6	+3,864

Step 5. Microphone and/or Grommet Accommodations: Optional

MA __	Microphone hole (factory cut)	Qty __ x 321 each
GM __	2" Grommet Hole (factory cut), liner, lid, in matching metal finish	Qty __ x 423 each

Wire Management Column (sold separately)

Required with any technology selection

Pattern Number: 02WMC6X6	508
Pattern Number: 02WMC10X10	1,065

Step 1. Metal Finish for Wire Management Column

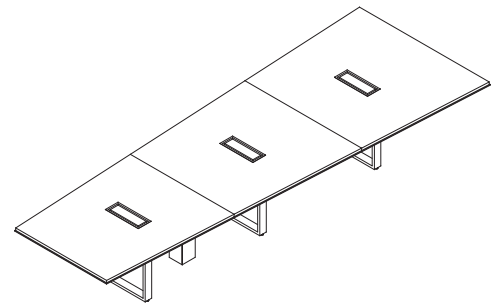
		6x6	10x10
MC __	Powder Coat	+0	+0
PM01	Polished Chrome	+749	+428
PM02	Satin Nickel	+749	+428
PM03	Oil Rubbed Bronze	+749	+428

Please consult [page 7](#) for the palette of DatesWeiser finishes. Natural stone, non-standard glass and veneer, and other technology options are available. Please email customerservice@datesweiser.com for a custom quote. Consult technical information on [page 280](#) for construction and technical details.

Highline Trapezoid Conference Table

60"x168"/ 13 Person

02T60X168



Starting Price: **\$19,404**

60/42x168 table, veneer Tier 1 top with metal edge, open base, powder coat metal finish

Pattern Number: 02T60X168

Step 1. Top Material

V	Veneer
G	Glass
C	Corian
Q	Caesarstone

Step 2. Metal Finish

MC __	Powder Coat	+0
PM01	Polished Chrome	+444
PM02	Satin Nickel	+444
PM03	Oil Rubbed Bronze	+444

Step 3. Top Finish

T1 __	Veneer Tier 1	+0
T2 __	Veneer Tier 2	+1,525
T3 __	Veneer Tier 3	+4,580
GC01	Clear Glass, back painted, white	+8,374
GC __	Clear Glass, back painted, color	+11,460
GE01	Etched matte Glass, back painted, white	+10,271
GE __	Etched matte Glass, back painted, color	+13,568
CS01	Corian Glacier White	+15,970
QS __	Caesarstone	+30,120

Step 4. Power & Connectivity Access: Optional

TMHW	Tabletop, Metal lid, Hardwired, Qty 3	+5,994
TMPI	Tabletop, Metal lid, Plug In, Qty 3	+5,247
UMHW	Undermount, Hardwired, Qty 6	+5,340
UMPI	Undermount, Plug In, Qty 6	+3,864

Step 5. Microphone and/or Grommet Accommodations: Optional

MA __	Microphone hole (factory cut)	Qty __ x 321 each
GM __	2" Grommet Hole (factory cut), liner, lid, in matching metal finish	Qty __ x 423 each

Wire Management Column (sold separately)

Required with any technology selection

Pattern Number: 02WMC6X6	508
Pattern Number: 02WMC10X10	1,065

Step 1. Metal Finish for Wire Management Column

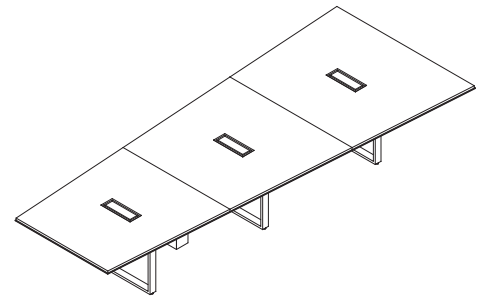
		6x6	10x10
MC __	Powder Coat	+0	+0
PM01	Polished Chrome	+749	+428
PM02	Satin Nickel	+749	+428
PM03	Oil Rubbed Bronze	+749	+428

Please consult [page 7](#) for the palette of DatesWeiser finishes. Natural stone, non-standard glass and veneer, and other technology options are available. Please email customerservice@datesweiser.com for a custom quote. Consult technical information on [page 280](#) for construction details and technical information.

Highline Trapezoid Conference Table

72"x180"/ 15 Person

02T72X180



Starting Price: **\$23,079**

72/48x180 table, veneer Tier 1 top with metal edge, open base, powder coat metal finish

Pattern Number: 02T72X180

Step 1. Top Material

V	Veneer
G	Glass
C	Corian
Q	Caesarstone

Step 2. Metal Finish

MC __	Powder Coat	+0
PM01	Polished Chrome	+444
PM02	Satin Nickel	+444
PM03	Oil Rubbed Bronze	+444

Step 3. Top Finish

T1 __	Veneer Tier 1	+0
T2 __	Veneer Tier 2	+1,942
T3 __	Veneer Tier 3	+5,842
GC01	Clear Glass, back painted, white	+10,220
GC __	Clear Glass, back painted, color	+13,921
GE01	Etched matte Glass, back painted, white	+12,715
GE __	Etched matte Glass, back painted, color	+16,692
CS01	Corian Glacier White	+19,709
QS __	Caesarstone*	+36,824

Step 4. Power & Connectivity Access: Optional

TMHW	Tabletop, Metal lid, Hardwired, Qty 3	+5,994
TMPI	Tabletop, Metal lid, Plug In, Qty 3	+5,247
UMHW	Undermount, Hardwired, Qty 8	+7,120
UMPI	Undermount, Plug In, Qty 8	+5,152

Step 5. Microphone and/or Grommet Accommodations: Optional

MA __	Microphone hole (factory cut)	Qty __ x 321 each
GM __	2" Grommet Hole (factory cut), liner, lid, in matching metal finish	Qty __ x 423 each

Wire Management Column (sold separately)

Required with any technology selection

Pattern Number: 02WMC6X6	508
Pattern Number: 02WMC10X10	1,065

Step 1. Metal Finish for Wire Management Column

		6x6	10x10
MC __	Powder Coat	+0	+0
PM01	Polished Chrome	+749	+428
PM02	Satin Nickel	+749	+428
PM03	Oil Rubbed Bronze	+749	+428

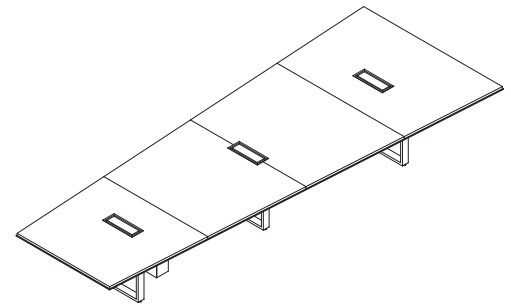
Please consult [page 7](#) for the palette of DatesWeiser finishes. Natural stone, non-standard glass and veneer, and other technology options are available. Please email customerservice@datesweiser.com for a custom quote. Consult technical information on [page 280](#) for construction and technical details.

*Tables with a Caesarstone finish require a 4-section top.

Highline Trapezoid Conference Table

72"x192"/ 15 Person

02T72X192



Starting Price: **\$23,936**

72/48x192 table, veneer Tier 1 top with metal edge, open base, powder coat metal finish

Pattern Number: 02T72X192

Step 1. Top Material

V	Veneer
G	Glass
C	Corian
Q	Caesarstone

Step 2. Metal Finish

MC __	Powder Coat	+0
PM01	Polished Chrome	+589
PM02	Satin Nickel	+589
PM03	Oil Rubbed Bronze	+589

Step 3. Top Finish

T1 __	Veneer Tier 1	+0
T2 __	Veneer Tier 2	+2,086
T3 __	Veneer Tier 3	+6,270
GC01	Clear Glass, back painted, white	+11,670
GC __	Clear Glass, back painted, color	+15,627
GE01	Etched matte Glass, back painted, white	+14,290
GE __	Etched matte Glass, back painted, color	+18,538
CS01	Corian Glacier White	+21,780
QS __	Caesarstone	+40,065

Step 4. Power & Connectivity Access: Optional

TMHW	Tabletop, Metal lid, Hardwired, Qty 3	+5,994
TMPI	Tabletop, Metal lid, Plug In, Qty 3	+5,247
UMHW	Undermount, Hardwired, Qty 8	+7,120
UMPI	Undermount, Plug In, Qty 8	+5,152

Step 5. Microphone and/or Grommet Accommodations: Optional

MA __	Microphone hole (factory cut)	Qty __ x 321 each
GM __	2" Grommet Hole (factory cut), liner, lid, in matching metal finish	Qty __ x 423 each

Wire Management Column (sold separately)

Required with any technology selection

Pattern Number: 02WMC6X6	508
Pattern Number: 02WMC10X10	1,065

Step 1. Metal Finish for Wire Management Column

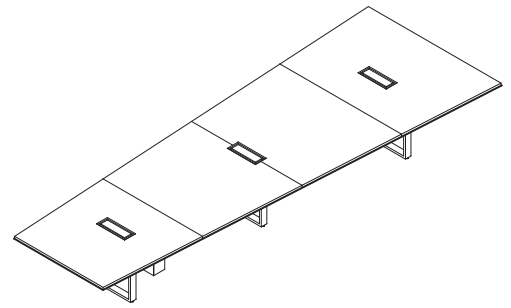
		6x6	10x10
MC __	Powder Coat	+0	+0
PM01	Polished Chrome	+749	+428
PM02	Satin Nickel	+749	+428
PM03	Oil Rubbed Bronze	+749	+428

Please consult [page 7](#) for the palette of DatesWeiser finishes. Natural stone, non-standard glass and veneer, and other technology options are available. Please email customerservice@datesweiser.com for a custom quote. Consult technical information on [page 280](#) for construction and technical details.

Highline Trapezoid Conference Table

72"x204"/ 15 Person

02T72X204



Starting Price: **\$24,639**

72/48x204 table, veneer Tier 1 top with metal edge, open base, powder coat metal finish

Pattern Number: 02T72X204

Step 1. Top Material

V	Veneer
G	Glass
C	Corian
Q	Caesarstone

Step 2. Metal Finish

MC __	Powder Coat	+0
PM01	Polished Chrome	+589
PM02	Satin Nickel	+589
PM03	Oil Rubbed Bronze	+589

Step 3. Top Finish

T1 __	Veneer Tier 1	+0
T2 __	Veneer Tier 2	+2,225
T3 __	Veneer Tier 3	+6,661
GC01	Clear Glass, back painted, white	+12,255
GC __	Clear Glass, back painted, color	+16,355
GE01	Etched matte Glass, back painted, white	+15,047
GE __	Etched matte Glass, back painted, color	+19,458
CS01	Corian Glacier White	+22,914
QS __	Caesarstone	+41,934

Step 4. Power & Connectivity Access: Optional

TMHW	Tabletop, Metal lid, Hardwired, Qty 3	+5,994
TMPI	Tabletop, Metal lid, Plug In, Qty 3	+5,247
UMHW	Undermount, Hardwired, Qty 8	+7,120
UMPI	Undermount, Plug In, Qty 8	+5,152

Step 5. Microphone and/or Grommet Accommodations: Optional

MA __	Microphone hole (factory cut)	Qty __ x 321 each
GM __	2" Grommet Hole (factory cut), liner, lid, in matching metal finish	Qty __ x 423 each

Wire Management Column (sold separately)

Required with any technology selection

Pattern Number: 02WMC6X6	508
Pattern Number: 02WMC10X10	1,065

Step 1. Metal Finish for Wire Management Column

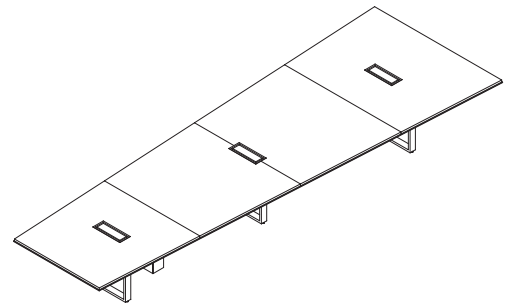
		6x6	10x10
MC __	Powder Coat	+0	+0
PM01	Polished Chrome	+749	+428
PM02	Satin Nickel	+749	+428
PM03	Oil Rubbed Bronze	+749	+428

Please consult [page 7](#) for the palette of DatesWeiser finishes. Natural stone, non-standard glass and veneer, and other technology options are available. Please email customerservice@datesweiser.com for a custom quote. Consult technical information on [page 280](#) for construction and technical details.

Highline Trapezoid Conference Table

72"x216"/ 17 Person

02T72X216



Starting Price: **\$25,352**

72/48x216 table, veneer Tier 1 top with metal edge, open base, powder coat metal finish

Pattern Number: 02T72X216

Step 1. Top Material

V	Veneer
G	Glass
C	Corian
Q	Caesarstone

Step 2. Metal Finish

MC __	Powder Coat	+0
PM01	Polished Chrome	+589
PM02	Satin Nickel	+589
PM03	Oil Rubbed Bronze	+589

Step 3. Top Finish

T1 __	Veneer Tier 1	+0
T2 __	Veneer Tier 2	+2,337
T3 __	Veneer Tier 3	+7,029
GC01	Clear Glass, back painted, white	+12,887
GC __	Clear Glass, back painted, color	+17,136
GE01	Etched matte Glass, back painted, white	+15,814
GE __	Etched matte Glass, back painted, color	+20,388
CS01	Corian Glacier White	+24,069
QS __	Caesarstone	+43,837

Step 4. Power & Connectivity Access: Optional

TMHW	Tabletop, Metal lid, Hardwired, Qty 3	+5,994
TMPI	Tabletop, Metal lid, Plug In, Qty 3	+5,247
UMHW	Undermount, Hardwired, Qty 8	+7,120
UMPI	Undermount, Plug In, Qty 8	+5,152

Step 5. Microphone and/or Grommet Accommodations: Optional

MA __	Microphone hole (factory cut)	Qty __ x 321 each
GM __	2" Grommet Hole (factory cut), liner, lid, in matching metal finish	Qty __ x 423 each

Wire Management Column (sold separately)

Required with any technology selection

Pattern Number: 02WMC6X6	508
Pattern Number: 02WMC10X10	1,065

Step 1. Metal Finish for Wire Management Column

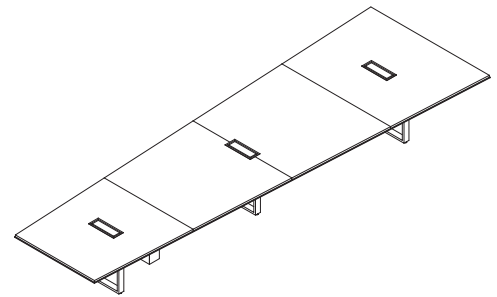
		6x6	10x10
MC __	Powder Coat	+0	+0
PM01	Polished Chrome	+749	+428
PM02	Satin Nickel	+749	+428
PM03	Oil Rubbed Bronze	+749	+428

Please consult [page 7](#) for the palette of DatesWeiser finishes. Natural stone, non-standard glass and veneer, and other technology options are available. Please email customerservice@datesweiser.com for a custom quote. Consult technical information on [page 280](#) for construction and technical details.

Highline Trapezoid Conference Table

72"x228"/ 17 Person

02T72X228



Starting Price: **\$26,040**

72/48x228 table, veneer Tier 1 top with metal edge, open base, powder coat metal finish

Pattern Number: 02T72X228

Step 1. Top Material

V	Veneer
G	Glass
C	Corian
Q	Caesarstone

Step 2. Metal Finish

MC __	Powder Coat	+0
PM01	Polished Chrome	+589
PM02	Satin Nickel	+589
PM03	Oil Rubbed Bronze	+589

Step 3. Top Finish

T1 __	Veneer Tier 1	+0
T2 __	Veneer Tier 2	+2,477
T3 __	Veneer Tier 3	+7,399
GC01	Clear Glass, back painted, white	+13,569
GC __	Clear Glass, back painted, color	+17,970
GE01	Etched matte Glass, back painted, white	+16,674
GE __	Etched matte Glass, back painted, color	+21,421
CS01	Corian Glacier White	+25,326
QS __	Caesarstone*	+45,873

Step 4. Power & Connectivity Access: Optional

TMHW	Tabletop, Metal lid, Hardwired, Qty 3	+5,994
TMPI	Tabletop, Metal lid, Plug In, Qty 3	+5,247
UMHW	Undermount, Hardwired, Qty 8	+7,120
UMPI	Undermount, Plug In, Qty 8	+5,152

Step 5. Microphone and/or Grommet Accommodations: Optional

MA __	Microphone hole (factory cut)	Qty __ x 321 each
GM __	2" Grommet Hole (factory cut), liner, lid, in matching metal finish	Qty __ x 423 each

Wire Management Column (sold separately)

Required with any technology selection

Pattern Number: 02WMC6X6	508
Pattern Number: 02WMC10X10	1,065

Step 1. Metal Finish for Wire Management Column

		6x6	10x10
MC __	Powder Coat	+0	+0
PM01	Polished Chrome	+749	+428
PM02	Satin Nickel	+749	+428
PM03	Oil Rubbed Bronze	+749	+428

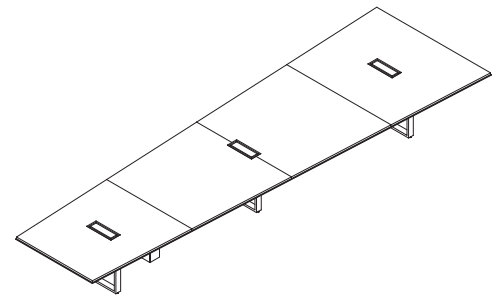
Please consult [page 7](#) for the palette of DatesWeiser finishes. Natural stone, non-standard glass and veneer, and other technology options are available. Please email customerservice@datesweiser.com for a custom quote. Consult technical information on [page 280](#) for construction and technical details.

*Tables with a Caesarstone finish require a 5-section top.

Highline Trapezoid Conference Table

72"x240"/ 19 Person

02T72X240



Starting Price: **\$26,748**

72/48x240 table, veneer Tier 1 top with metal edge, open base, powder coat metal finish

Pattern Number: 02T72X240

Step 1. Top Material

V	Veneer
G	Glass
C	Corian
Q	Caesarstone

Step 2. Metal Finish

MC __	Powder Coat	+0
PM01	Polished Chrome	+589
PM02	Satin Nickel	+589
PM03	Oil Rubbed Bronze	+589

Step 3. Top Finish

T1 __	Veneer Tier 1	+0
T2 __	Veneer Tier 2	+2,616
T3 __	Veneer Tier 3	+7,800
GC01	Clear Glass, back painted, white	+14,143
GC __	Clear Glass, back painted, color	+18,687
GE01	Etched matte Glass, back painted, white	+17,417
GE __	Etched matte Glass, back painted, color	+22,325
CS01	Corian Glacier White	+26,445
QS __	Caesarstone*	+47,722

Step 4. Power & Connectivity Access: Optional

TMHW	Tabletop, Metal lid, Hardwired, Qty 3	+5,994
TMPI	Tabletop, Metal lid, Plug In, Qty 3	+5,247
UMHW	Undermount, Hardwired, Qty 10	+8,900
UMPI	Undermount, Plug In, Qty 10	+6,440

Step 5. Microphone and/or Grommet Accommodations: Optional

MA __	Microphone hole (factory cut)	Qty __ x 321 each
GM __	2" Grommet Hole (factory cut), liner, lid, in matching metal finish	Qty __ x 423 each

Wire Management Column (sold separately)

Required with any technology selection

Pattern Number: 02WMC6X6	508
Pattern Number: 02WMC10X10	1,065

Step 1. Metal Finish for Wire Management Column

		6x6	10x10
MC __	Powder Coat	+0	+0
PM01	Polished Chrome	+749	+428
PM02	Satin Nickel	+749	+428
PM03	Oil Rubbed Bronze	+749	+428

Please consult [page 7](#) for the palette of DatesWeiser finishes. Natural stone, non-standard glass and veneer, and other technology options are available. Please email customerservice@datesweiser.com for a custom quote. Consult technical information on [page 280](#) for construction and technical details.

*Tables with a Caesarstone finish require a 5-section top.