

Price List &
Specifications Guide
October 2022



DATESWEISER

[datesweiser.com](https://www.datesweiser.com)

Rev 2022.01

datesweiser.com

Corporate Office / Factory
1700 Broadway Street
Buffalo, NY 14212
p 716.891.1700

National Sales Office / Showroom
1300 6th Ave, 2nd Floor
New York, NY 10019
p 212.727.8855

Table of Contents

Introduction	5	Meeting Tables	
Using the Price List	5	Square and Round, 48"-72"	240
Materials + Finishes	6	Credenzas	
Product Maintenance	13	Credenzas, 66"-114"	250
Highline Collection	15	Highline Twenty-Five Collection	261
Conference Tables		Credenzas, 60"-108" width	262
Rectangular, 42"-48"	16	Accessories	272
Rectangular, 54"	36	Slide-Out Power Box	273
Rectangular, 60"	52	Linkable USB Kits for Power Boxes	274
Rectangular, 72"	68	Technical Information	276
Elliptical, 48"-72"	84	Highline Conference Tables	277
Boat, 48"-72"	100	Highline Meeting Tables	285
Trapezoid, 48"-72"	116	Highline Credenzas	293
Meeting Tables		Highline Fifty Conference Tables	298
Square, Round and Elliptical, 42"-84"	132	Highline Fifty Meeting Tables	308
Credenzas		Highline Fifty Credenzas	316
Credenzas, 64"-99"	144	Highline Twenty-Five Credenzas	322
Highline Fifty Collection	159	Accessories	328
Conference Tables		Terms and Conditions	330
Rectangular, 48"	160		
Rectangular, 54"	178		
Rectangular, 60"	194		
Rectangular, 72"	210		
Boat, 48"-72"	226		

Introduction

The DatesWeiser Price List and Specifications Guide introduces our offerings and provides you with the ability to specify and price them.

Four collections are showcased:

- Highline Conference Tables, Meeting Tables, and Credenzas
- Highline Fifty Conference Tables, Meeting Tables, and Credenzas
- Highline Twenty-Five Credenzas

Materials and finishes available for the collections are described on the next page.

Technical Information about our furniture begins on **page 274**. You will find detailed descriptions about construction, elevations, power and connectivity, credenza configurations and options.

FSC® Certification: FSC-C103565

Responsibly harvested materials certified by the Forest Stewardship Council® are available upon request and may increase pricing. Requests for FSC® certified materials or LEED certification must be made before an order is processed.

USING THE PRICE LIST

Product information is presented as follows:

- General description of the product.
- Dimensions of the product and additional details.
- Pattern number: Code that denotes the product line (02 Highline Collection/ 03 Highline Fifty Collection/ 04 Highline Twenty-Five Collection).
- Starting Price: The lowest base price, which represents the most cost-effective finishes and configuration.
- Steps: Options, finishes and other features that allow you to build the pieces as you desire.
- Some options carry an additional cost. The cost of the option needs to be added to the Starting Price shown at the top of the page. For microphones and grommets please specify quantity desired.

Start with the pattern number and starting price. Then select materials and options using the codes provided. Add additional costs from selections (if applicable). Confirm quantities and email to customerservice@datesweiser.com.

Shipping charges will be added to your order. For a shipping quote contact your sales representative, email customerservice@datesweiser.com or call us toll free at 716.891.1700.

If you don't see what you want, we are happy to work with you to develop a unique product solution. Contact customerservice@datesweiser.com or call 716.891.1700 for a custom quote.

MATERIALS + FINISHES

Selecting materials and other features are the first steps to ordering your DatesWeiser furniture. As you move through the steps on the product page, you will need to fill in the blanks with the codes for the finishes and features you select.

Wood veneers are selected from the finest hardwoods available around the world and top coated with a low-VOC, post-catalyzed finish. The typical sheen is 30%.

Veneers come in three price ranges or Tiers. Veneers are described as follows:

- Cut: Plain-sliced, rift, quartered, engineered.
- Species: Oak, Walnut, etc.
- Finish: Natural, Smoked, Dark, Cerused, etc.

Quartered, rift-cut and engineered veneers are slip matched with the exception of Black Limba. Plain-sliced veneers are book matched.

For example, the finish code T124 denotes Tier 1 Plain-sliced Maple, Natural, and T227 denotes Tier 2 Quartered Walnut, Natural.

Requests for FSC® certified materials must be made before an order can be processed.

Glass 3/8" thick annealed low iron. DatesWeiser offers 14 standard back paint colors.

- GC__ Back Painted Clear Glass: Polished glass with back paint. Color codes are entered in the blanks. For example GC01 refers to clear glass back painted white and GC02 refers to clear glass back painted Grey.
- GE__ Back Painted Etched Matte Glass: Glass that is acid etched to a matte finish.
- GC00 Clear tempered glass with no back paint. Available on credenzas only.

Solid Surface Materials

- CS01 Corian Glacier White ½" thickness.
- QS__ Caesarstone 2cm thickness.

Certain Caesarstone-topped tables of 60" width and above may require an additional top section.

Paint

- SL__ Satin Lacquer: Opaque paint with a 50% typical sheen. Color codes are entered in the blanks.
- HG__ High Gloss Polyester: Opaque paint with a hand rubbed high gloss finish.

Metal

- MC__ Powder Coat: A coating that is applied electrostatically as a dry powder and is then cured under heat to allow it to flow and form a "skin." It is used to create a hard finish that is more durable than conventional paint. Color codes are entered in the blanks.
- PM__ Premium Metal: Electroplating produces a premium metal finish. Finishes are entered in the blanks.

Leather

- AU__ Spinneybeck Acqua leather is water-repellent, heavy, and durable, with a slightly raised grain texture.

DatesWeiser collaborates with leading colorists to develop a palette particularly suited to the executive workplace. This range is available on all our products and coordinates with our extensive veneer offering. To order actual finish samples, please contact customerservice@datesweiser.com or your local DatesWeiser representative visit www.datesweiser.com/contacts. If you don't see what you want, we are happy to work with you to develop a unique product solution.

DatesWeiser printed and veneer samples offer an example of what a typical veneer will look like, within a range of acceptability carefully determined by DatesWeiser. Samples and printed sample materials should be used as reference only.

STANDARD FINISHES

Veneer: Tier 1

T102 Rift European White Oak, slip match, Natural
T105 Plain-sliced Walnut, book match, Natural
T124 Plain-sliced Maple, book match, Natural
T131 Engineered Macassar Ebony, slip match, Natural
T142 Rift American White Oak, slip match, Natural

Veneer: Tier 2

T204 Rift European White Oak, slip match, Dark Ceruse
T206 Plain-sliced Walnut, book match, Smoked
T207 Plain-sliced Walnut, book match, Dark
T227 Quartered Walnut, slip match, Natural
T228 Quartered Black Limba, book match, Natural
T229 Quartered Wenge, slip match, Natural

Veneer: Tier 3

**Available as non-standard finishes*

T300 Plain-sliced White Oak, book match, White Wash
T301 Rift European White Oak, slip match, Weathered Grey
T339 Plain-sliced White Oak, book match, Grey Ceruse
T340 Rift American White Oak, slip match, Sand Ceruse
T341 Rift American White Oak, slip match, Greige Ceruse

Back Painted Glass: Clear / Etched Matte

GC01 / GE01 White
GC02 / GE02 Grey
GC03 / GE03 Black
GC04 / GE04 Coco
GC20 / GE20 Red
GC21 / GE21 Taupe
GC22 / GE22 Quartz Grey
GC23 / GE23 Light Grey
GC24 / GE24 Light Beige
* GC00 Clear Glass available on credenzas only

Solid Surface

CS01 Corian, Glacier White
QS01 Caesarstone, Fresh Concrete
QS04 Caesarstone, Raw Concrete
QS03 Caesarstone, Sleek Concrete

Paint: High Gloss Polyester / Satin Lacquer

HG01 / SL01 White
HG02 / SL02 Light Beige
HG03 / SL03 Sand
HG04 / SL04 Taupe
HG05 / SL05 Light Brown
HG06 / SL06 Light Grey
HG07 / SL07 Quartz Grey
HG08 / SL08 Umbra Grey
HG09 / SL09 Black Brown
HG10 / SL10 Yellow Finch
HG11 / SL11 Jack O Lantern
HG12 / SL12 Racing Orange
HG13 / SL13 Jet Black
HG20 / SL 20 Red

Metal

Powder Coat

MC01 White
MC02 Light Grey
MC03 Quartz Grey
MC04 Umbra Grey
MC05 Black Brown
MC11 Jet Black
MC20 Red

Powder Coat

MC06 Silver
MC08 Gun Metal
MC09 Bronze
MC12 Black
MC13 Warm Grey
MC14 Soft White

Premium

PM01 Polished Chrome
PM02 Satin Nickel
PM03 Oil Rubbed Bronze

Leather

Spinneybeck: Acqua

AU 0625 Strait Dover
AU 0635 Long Island Sound
AU 0614 River Thames
AU 0659 Blue Marlin
AU 0631 Cantabrian Sea
AU 0623 Jewelfish
AU 0647 Straits of Gibraltar
AU 0608 Botany Bay
AU 0607 Lake Como
AU 0604 Del Mar
AU 0605 Tahiti
AU 0639 Aquitania
AU 0642 Longship
AU 0617 Black Sea
AU 0646 Sea Wolf

Veneer: Tier 1



T124 Plain-sliced Maple, Natural



T102 Rift European White Oak, Natural



T142 Rift American White Oak, Natural



T105 Plain-sliced Walnut, Natural



T131 Reconstituted Macassar Ebony, Natural

Veneer: Tier 2



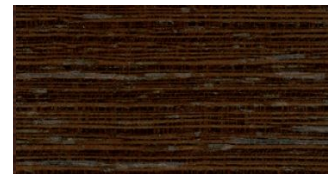
T206 Plain-sliced Walnut, Smoked



T227 Quartered Walnut, Natural



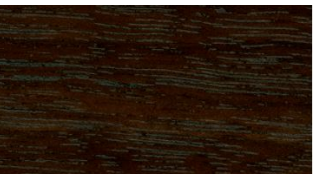
T228 Quartered Black Limba, Natural



T229 Quartered Wenge, Natural



T204 Rift European White Oak, Dark Ceruse



T207 Plain-sliced Walnut, Dark

Veneer:

Tier 3 Available as non-standard finishes



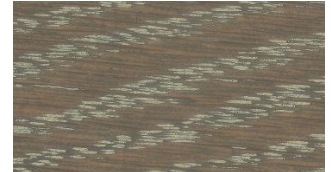
T300 Plain-sliced White Oak, White Wash



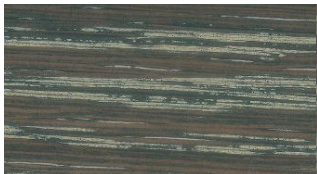
T301 Rift European White Oak, Weathered Grey



T339 Plain-sliced White Oak, Grey Ceruse

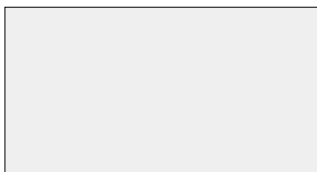


T340 Rift American White Oak, Sand Ceruse



T341 Rift American White Oak, Greige Ceruse

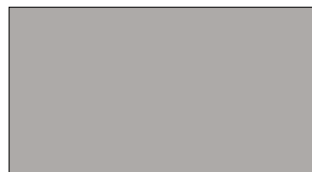
Back Painted Glass: Clear + Etched Matte



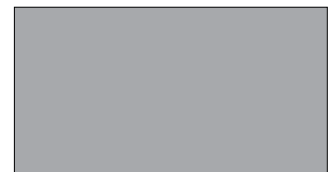
GC01 / GE01 White



GC24 / GE24 Light Beige



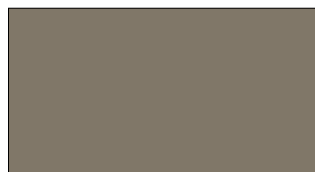
GC21 / GE21 Taupe



GC23 / GE23 Light Grey



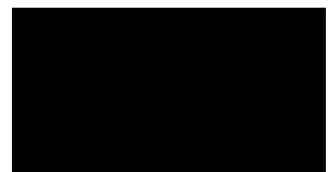
GC02 / GE02 Grey



GC22 / GE22 Quartz Grey



GC04 / GE04 Coco



GC03 / GE03 Black



GC20 / GE20 Red



GC00 Clear Glass, no back-paint
Available on credenzas only

Solid Surface



CS01 Corian, Glacier White



QS01 Caesarstone, Fresh Concrete



QS04 Caesarstone, Raw Concrete

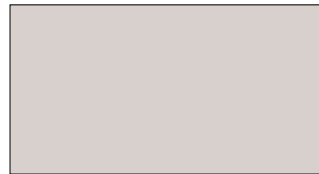


QS03 Caesarstone, Sleek Concrete

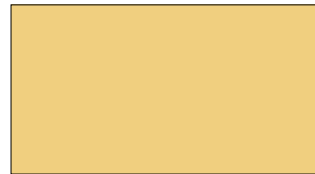
Paint: High Gloss Polyester + Satin Lacquer



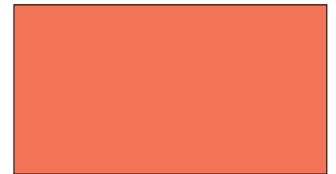
HG01 / SL01 White



HG02 / SL02 Light Beige



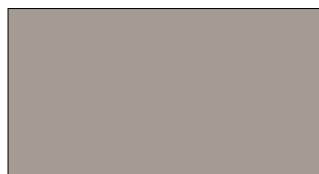
HG10 / SL10 Yellow Finch



HG11 / SL11 Jack O Lantern



HG03 / SL03 Sand



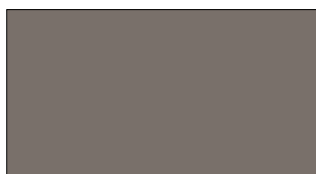
HG04 / SL04 Taupe



HG12 / SL12 Racing Orange



HG20 / SL20 Red



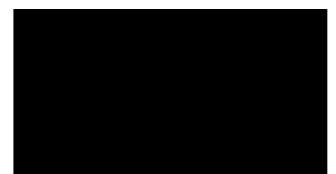
HG05 / SL05 Light Brown



HG06 / SL06 Light Grey



HG09 / SL09 Black Brown



HG13 / SL13 Jet Black



HG07 / SL07 Quartz Grey



HG08 / SL08 Umbra Grey

Metal: Powder Coat



MC01 White



MC02 Light Grey



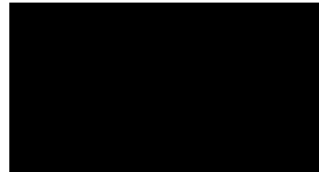
MC03 Quartz Grey



MC04 Umbra Grey



MC05 Black Brown



MC11 Jet Black



MC20 Red

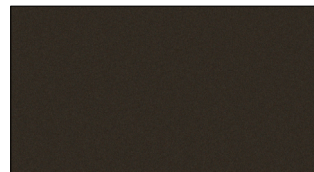
Metal: Powder Coat



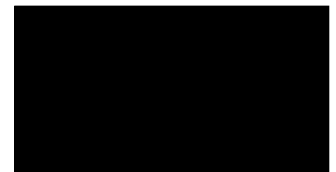
MC06 Silver



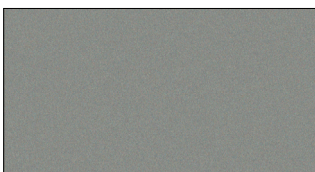
MC08 Gun Metal



MC09 Bronze



MC12 Black

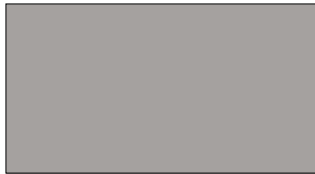


MC13 Warm Grey



MC14 Soft White

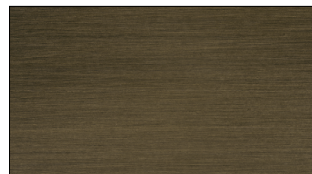
Metal: Premium



PM01 Polished Chrome

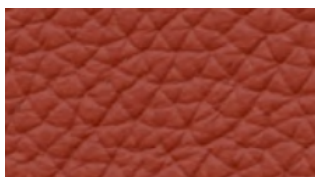


PM02 Satin Nickel

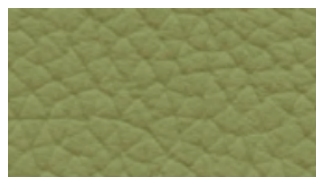


PM03 Oil Rubbed Bronze

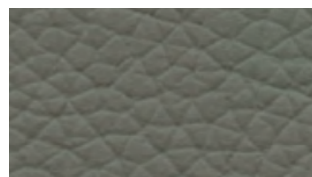
Leather: Spinneybeck-Acqua



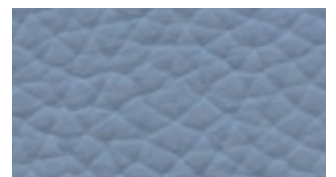
AU 0625 Strait Dover



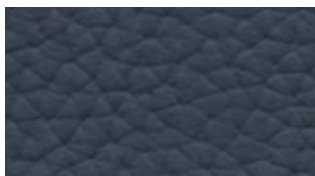
AU 0635 Long Island Sound



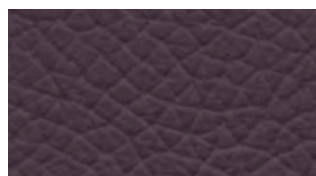
AU 0614 River Thames



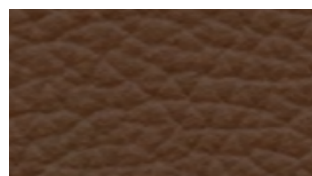
AU 0659 Blue Marlin



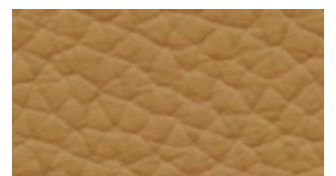
AU 0631 Cantabrian Sea



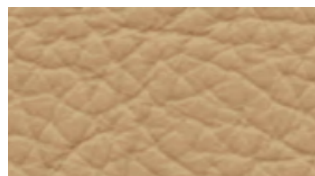
AU 0623 Jewelfish



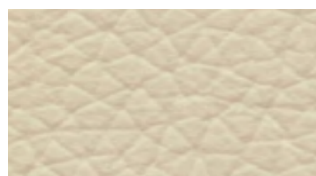
AU 0647 Straits of Gibraltar



AU 0608 Botany Bay



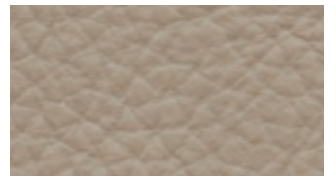
AU 0607 Lake Como



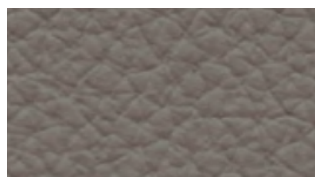
AU 0604 Del Mar



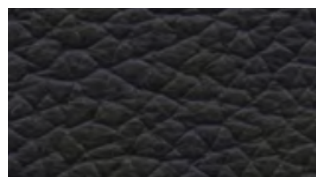
AU 0610 North Sea



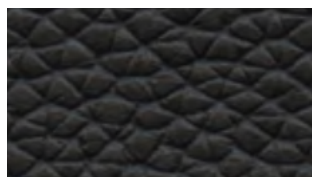
AU 0605 Tahiti



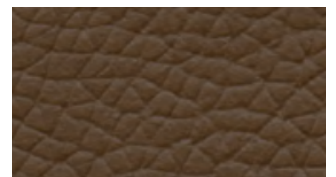
AU 0639 Aquitania



AU 0642 Longship



AU 0617 Black Sea



AU 0646 Sea Wolf

PRODUCT MAINTENANCE

Regular dusting with a soft cloth will help prevent fine dust particles from becoming embedded in the finished surface. We recommend using a soft flannel cloth slightly dampened with water, followed by a dry cloth. Always wipe in the direction of the grain. Caution: Never use a chemically treated cleaning cloth.

For removing residues, smudges, etc., we recommend using a very mild (non-ammonia) soap and water solution. Apply with a soft flannel cloth, followed by a dry cloth. Always wipe in the direction of the grain.

Most stone and metal surfaces can be cleaned by following the same steps we recommend for our wood products. Granite and marble are both very porous and stain very easily. Lemon juice and other acids can etch the surface of the stone. Many stains are extremely difficult or impossible to remove, so please be careful. If a problem arises, please contact DatesWeiser for recommendations.

Glass can be cleaned with a standard brand of glass cleaner that does not contain ammonia or vinegar. Always use a soft, clean, grit-free cloth to reduce the risk of scratching the surface. We recommend a micro-fiber cloth and not paper towels. Care and cleaning of clear and acid-etched glass is the same. On non-tempered glass avoid extremely hot materials and on all glass avoid caustic substances.

We recommend using felt pads on all objects that come in contact with our furniture. Certain vinyl and rubber products can chemically react with the finish on wood if left in contact for extended periods of time. Coasters, place mats, notebook covers, and rubber or plastic feet (found on most accessories) can also damage wood surfaces. To avoid indentations caused by writing instruments, always use a non-vinyl blotter or writing pad.

All furniture should be used in a stable, controlled atmosphere and positioned to avoid direct sunlight. The ideal climate is 65 to 75 degrees Fahrenheit with 30 to 55% relative humidity.

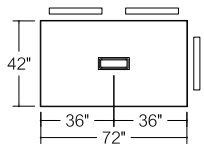
Highline Collection



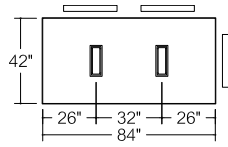
DATESWEISER

Highline Rectangular Conference Tables Index

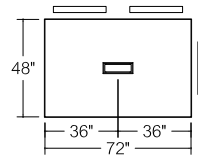
42"-48" width



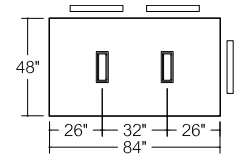
O2R42X72
6 Person Table



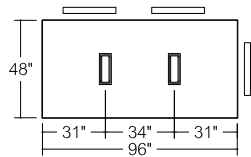
O2R42X84
6 Person Table



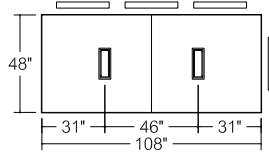
O2R48X72
6 Person Table



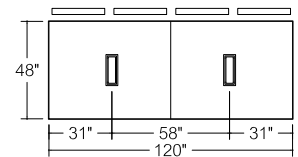
O2R48X84
6 Person Table



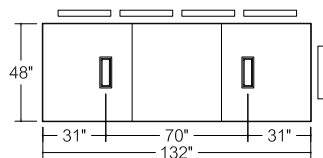
O2R48X96
6 - 8 Person Table



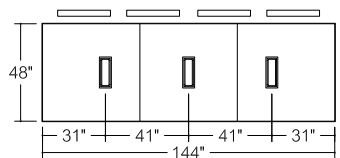
O2R48X108
8 Person Table



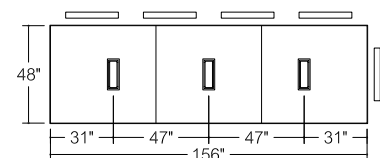
O2R48X120
10 Person Table



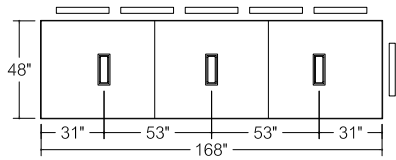
O2R48X132
10 Person Table



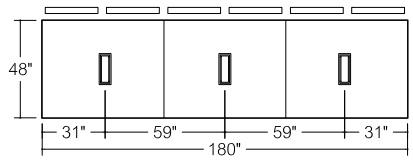
O2R48X144
10 Person Table



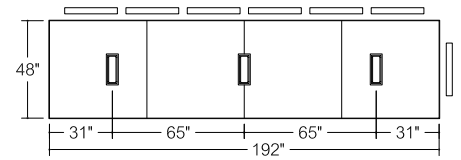
O2R48X156
10 - 12 Person Table



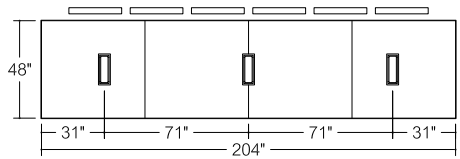
02R48X168
12 Person Table



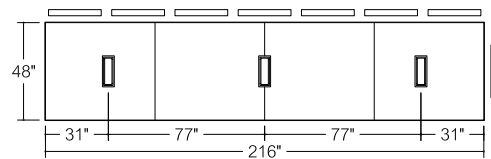
02R48X180
14 Person Table



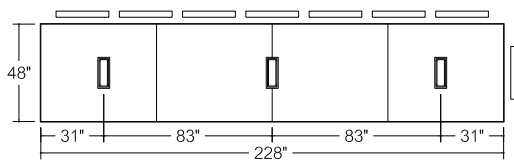
02R48X192
14 Person Table



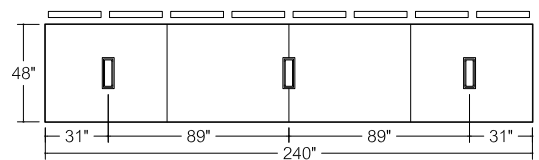
02R48X204
14 Person Table



02R48X216
16 Person Table



02R48X228
16 Person Table

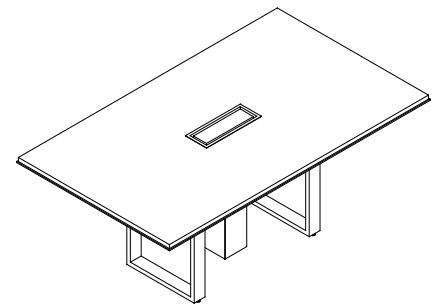


02R48X240
18 Person Table

Highline Rectangular Conference Table

42"x72"/ 6 Person

02R42X72



Starting Price: \$ 10,521

42x72 table, veneer Tier 1 top with metal edge, open base, powder coat metal finish

Base Pattern Number: 02R42X72

Step 1. Top Material

V	Veneer
G	Glass
C	Corian
Q	Caesarstone

Step 2. Edge Selection

N __	No Edge
L __	Leather Edge
M __	Metal Edge

Step 3. Base Type

BL	Base Loop	+0
-----------	-----------	----

Step 4. Edge Finish

N __	No Edge	+0
AU __	Spinneybeck Leather: Acqua	+ 1919
MC __	Powder Coat	+0
PM01	Polished Chrome	+ 801
PM02	Satin Nickel	+ 801
PM03	Oil Rubbed Bronze	+ 801

Step 5. Top Finish

T1 __	Veneer Tier 1	+0
T2 __	Veneer Tier 2	+568
GC __	Clear Glass, back painted	+ 2990
GE __	Etched matte Glass, back painted	+ 3504
CS01	Corian Glacier White	+ 3575
QS __	Caesarstone	Contact Rep.

Step 6. Base Finish

MC __	Powder Coat	+0
PM01	Polished Chrome	+ 378
PM02	Satin Nickel	+378
PM03	Oil Rubbed Bronze	+740

Step 7. Microphone and/or Grommet Accommodations: Optional

MA __	Microphone hole (factory cut)	Qty__ x 377 each
GM __	2" Grommet Hole (factory cut), liner, lid, in matching metal finish	Qty__ x 496 each

Step 8. Power & Connectivity Access: Optional

TMHW	Tabletop, Metal lid, Hardwired, Qty 1	+4,398
TMPI	Tabletop, Metal lid, Plug In, Qty 1	+3,748
TMLK	Tabletop, Metal lid, Linkable, Qty 1	+3,197
UMHW	Undermount, Hardwired, Qty 4	+4,788
UMPI	Undermount, Plug In, Qty 4	+3,480
UMLK	Undermount, Linkable, Qty 4	+3,480
SOHW	Undermount Slide-out, Hardwired, Qty 4	+8,340
SOPI	Undermount Slide-out, Plug In, Qty 4	+7,076
SOLK	Undermount Slide-out, Linkable, Qty 4	+7,076

Wire Management Column (sold separately)

Required with any technology selection

Pattern Number: 02WMC6X6	+266
Pattern Number: 02WMC10X10	+1,038

Step 1. Metal Finish for Wire Management Column

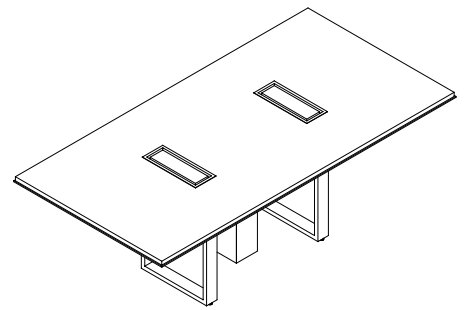
	6x6	10x10
MC __	Powder Coat	+0 +0
PM01	Polished Chrome	+1,252 +571
PM02	Satin Nickel	+1,252 +571
PM03	Oil Rubbed Bronze	+1,874 +2,607

Please consult [page 7](#) for the palette of DatesWeiser finishes. Natural stone, non-standard glass and veneer, and other technology options are available. Please email customerservice@datesweiser.com for a custom quote. Consult technical information on [page 277](#) for construction details and technical information.

Highline Rectangular Conference Table

42"x84"/ 6 Person

02R42X84



Starting Price: \$11,269

42x84 table, veneer Tier 1 top with metal edge, open base, powder coat metal finish

Base Pattern Number: 02R42X84

Step 1. Top Material

V	Veneer
G	Glass
C	Corian
Q	Caesarstone

Step 2. Edge Selection

N __	No Edge
L __	Leather Edge
M __	Metal Edge

Step 3. Base Type

BL	Base Loop	+0
-----------	-----------	----

Step 4. Edge Finish

N __	No Edge	+0
AU __	Spinneybeck Leather: Acqua	+2,120
MC __	Powder Coat	+0
PM01	Polished Chrome	+949
PM02	Satin Nickel	+949
PM03	Oil Rubbed Bronze	+949

Step 5. Top Finish

T1 __	Veneer Tier 1	+0
T2 __	Veneer Tier 2	+660
GC __	Clear Glass, back painted	+3,443
GE __	Etched matte Glass, back painted	+4,045
CS01	Corian Glacier White	+4,171
QS __	Caesarstone	Contact Rep.

Step 6. Base Finish

MC __	Powder Coat	+0
PM01	Polished Chrome	+378
PM02	Satin Nickel	+378
PM03	Oil Rubbed Bronze	+740

Step 7. Microphone and/or Grommet Accommodations: Optional

MA __	Microphone hole (factory cut)	Qty __ x 377 each
GM __	2" Grommet Hole (factory cut), liner, lid, in matching metal finish	Qty __ x 496 each

Step 8. Power & Connectivity Access: Optional

TMHW	Tabletop, Metal lid, Hardwired, Qty 2	+8,796
TMPI	Tabletop, Metal lid, Plug In, Qty 2	+7,496
TMLK	Tabletop, Metal lid, Linkable, Qty 2	+6,394
UMHW	Undermount, Hardwired, Qty 4	+4,788
UMPI	Undermount, Plug In, Qty 4	+3,480
UMLK	Undermount, Linkable, Qty 4	+3,480
SOHW	Undermount Slide-out, Hardwired, Qty 4	+8,340
SOPI	Undermount Slide-out, Plug In, Qty 4	+7,076
SOLK	Undermount Slide-out, Linkable, Qty 4	+7,076

Wire Management Column (sold separately)

Required with any technology selection

Pattern Number: 02WMC6X6	+266
Pattern Number: 02WMC10X10	+1,038

Step 1. Metal Finish for Wire Management Column

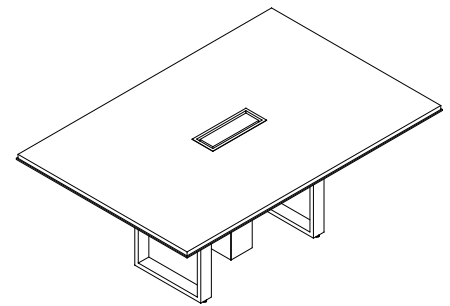
	6x6	10x10
MC __	Powder Coat	+0 +0
PM01	Polished Chrome	+1,252 +571
PM02	Satin Nickel	+1,252 +571
PM03	Oil Rubbed Bronze	+1,874 +2,607

Please consult [page 7](#) for the palette of DatesWeiser finishes. Natural stone, non-standard glass and veneer, and other technology options are available. Please email customerservice@datesweiser.com for a custom quote. Consult technical information on [page 277](#) for construction details and technical information.

Highline Rectangular Conference Table

48"x72"/ 6 Person

02R48X72



Starting Price: \$10,912

48x72 table, veneer Tier 1 top with metal edge, open base, powder coat metal finish

Base Pattern Number: 02R48X72

Step 1. Top Material

V	Veneer
G	Glass
C	Corian
Q	Caesarstone

Step 2. Edge Selection

N __	No Edge
L __	Leather Edge
M __	Metal Edge

Step 3. Base Type

BL	Base Loop	+0
-----------	-----------	----

Step 4. Edge Finish

N __	No Edge	+0
AU __	Spinneybeck Leather: Acqua	+2,019
MC __	Powder Coat	+0
PM01	Polished Chrome	+828
PM02	Satin Nickel	+828
PM03	Oil Rubbed Bronze	+828

Step 5. Top Finish

T1 __	Veneer Tier 1	+0
T2 __	Veneer Tier 2	+648
GC __	Clear Glass, back painted	+3,368
GE __	Etched matte Glass, back painted	+3,955
CS01	Corian Glacier White	+4,086
QS __	Caesarstone	Contant Rep.

Step 6. Base Finish

MC __	Powder Coat	+0
PM01	Polished Chrome	+378
PM02	Satin Nickel	+378
PM03	Oil Rubbed Bronze	+740

Step 7. Microphone and/or Grommet Accommodations: Optional

MA __	Microphone hole (factory cut)	Qty__ x 377 each
GM __	2" Grommet Hole (factory cut), liner, lid, in matching metal finish	Qty__ x 496 each

Step 8. Power & Connectivity Access: Optional

TMHW	Tabletop, Metal lid, Hardwired, Qty 1	+4,398
TMPI	Tabletop, Metal lid, Plug In, Qty 1	+3,748
TMLK	Tabletop, Metal lid, Linkable, Qty 1	+3,197
UMHW	Undermount, Hardwired, Qty 4	+4,788
UMPI	Undermount, Plug In, Qty 4	+3,480
UMLK	Undermount, Linkable, Qty 4	+3,480
SOHW	Undermount Slide-out, Hardwired, Qty 4	+8,340
SOPI	Undermount Slide-out, Plug In, Qty 4	+7,076
SOLK	Undermount Slide-out, Linkable, Qty 4	+7,076

Wire Management Column (sold separately)

Required with any technology selection

Pattern Number: 02WMC6X6	+266
Pattern Number: 02WMC10X10	+1,038

Step 1. Metal Finish for Wire Management Column

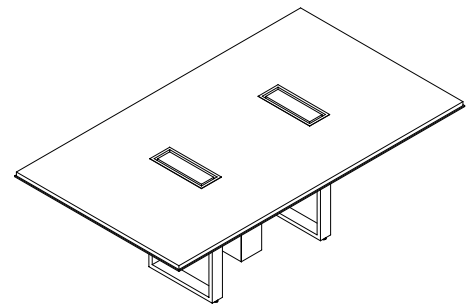
	6x6	10x10
MC __	Powder Coat	+0 +0
PM01	Polished Chrome	+1,252 +571
PM02	Satin Nickel	+1,252 +571
PM03	Oil Rubbed Bronze	+1,874 +2,607

Please consult [page 7](#) for the palette of DatesWeiser finishes. Natural stone, non-standard glass and veneer, and other technology options are available. Please email customerservice@datesweiser.com for a custom quote. Consult technical information on [page 277](#) for construction details and technical information.

Highline Rectangular Conference Table

48"x84"/ 6 Person

02R48X84



Starting Price: **\$11,737**

48x84 table, veneer Tier 1 top with metal edge, open base, powder coat metal finish

Base Pattern Number: 02R48X84

Step 1. Top Material

V	Veneer
G	Glass
C	Corian
Q	Caesarstone

Step 2. Edge Selection

N __	No Edge
L __	Leather Edge
M __	Metal Edge

Step 3. Base Type

BL	Base Loop	+0
-----------	-----------	----

Step 4. Edge Finish

N __	No Edge	+0
AU __	Spinneybeck Leather: Acqua	+2,222
MC __	Powder Coat	+0
PM01	Polished Chrome	+1,291
PM02	Satin Nickel	+1,291
PM03	Oil Rubbed Bronze	+1,291

Step 5. Top Finish

T1 __	Veneer Tier 1	+0
T2 __	Veneer Tier 2	+757
GC __	Clear Glass, back painted	+3,887
GE __	Etched matte Glass, back painted	+4,573
CS01	Corian Glacier White	+4,767
QS __	Caesarstone	Contact Rep.

Step 6. Base Finish

MC __	Powder Coat	+0
PM01	Polished Chrome	+378
PM02	Satin Nickel	+378
PM03	Oil Rubbed Bronze	+740

Step 7. Microphone and/or Grommet Accommodations: Optional

MA __	Microphone hole (factory cut)	Qty __ x 377 each
GM __	2" Grommet Hole (factory cut), liner, lid, in matching metal finish	Qty __ x 496 each

Step 8. Power & Connectivity Access: Optional

TMHW	Tabletop, Metal lid, Hardwired, Qty 2	+8,796
TMPI	Tabletop, Metal lid, Plug In, Qty 2	+7,496
TMLK	Tabletop, Metal lid, Linkable, Qty 2	+6,394
UMHW	Undermount, Hardwired, Qty 4	+4,788
UMPI	Undermount, Plug In, Qty 4	+3,480
UMLK	Undermount, Linkable, Qty 4	+3,480
SOHW	Undermount Slide-out, Hardwired, Qty 4	+8,340
SOPI	Undermount Slide-out, Plug In, Qty 4	+7,076
SOLK	Undermount Slide-out, Linkable, Qty 4	+7,076

Wire Management Column (sold separately)

Required with any technology selection

Pattern Number: 02WMC6X6	+266
Pattern Number: 02WMC10X10	+1,038

Step 1. Metal Finish for Wire Management Column

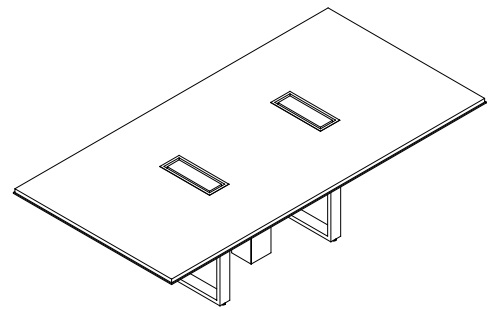
	6x6	10x10
MC __	Powder Coat	+0 +0
PM01	Polished Chrome	+1,252 +571
PM02	Satin Nickel	+1,252 +571
PM03	Oil Rubbed Bronze	+1,874 +2,607

Please consult [page 7](#) for the palette of DatesWeiser finishes. Natural stone, non-standard glass and veneer, and other technology options are available. Please email customerservice@datesweiser.com for a custom quote. Consult technical information on [page 277](#) for construction details and technical information.

Highline Rectangular Conference Table

48"x96"/ 6 - 8 Person

02R48X96



Starting Price: \$12,224

48x96 table, veneer Tier 1 top with metal edge, open base, powder coat metal finish

Base Pattern Number: 02R48X96

Step 1. Top Material

V	Veneer
G	Glass
C	Corian
Q	Caesarstone

Step 2. Edge Selection

N __	No Edge
L __	Leather Edge
M __	Metal Edge

Step 3. Base Type

BL	Base Loop	+0
-----------	-----------	----

Step 4. Edge Finish

N __	No Edge	+0
AU __	Spinneybeck Leather: Acqua	+2,423
MC __	Powder Coat	+0
PM01	Polished Chrome	+1,291
PM02	Satin Nickel	+1,291
PM03	Oil Rubbed Bronze	+1,291

Step 5. Top Finish

T1 __	Veneer Tier 1	+0
T2 __	Veneer Tier 2	+863
GC __	Clear Glass, back painted	+4,393
GE __	Etched matte Glass, back painted	+5,177
CS01	Corian Glacier White	+5,448
QS __	Caesarstone	Contact Rep.

Step 6. Base Finish

MC __	Powder Coat	+0
PM01	Polished Chrome	+378
PM02	Satin Nickel	+378
PM03	Oil Rubbed Bronze	+740

Step 7. Microphone and/or Grommet Accommodations: Optional

MA __	Microphone hole (factory cut)	Qty __ x 377 each
GM __	2" Grommet Hole (factory cut), liner, lid, in matching metal finish	Qty __ x 496 each

Step 8. Power & Connectivity Access: Optional

TMHW	Tabletop, Metal lid, Hardwired, Qty 2	+8,796
TMPI	Tabletop, Metal lid, Plug In, Qty 2	+7,496
TMLK	Tabletop, Metal lid, Linkable, Qty 2	+6,394
UMHW	Undermount, Hardwired, Qty 4	+4,788
UMPI	Undermount, Plug In, Qty 4	+3,480
UMLK	Undermount, Linkable, Qty 4	+3,480
SOHW	Undermount Slide-out, Hardwired, Qty 4	+8,340
SOPI	Undermount Slide-out, Plug In, Qty 4	+7,076
SOLK	Undermount Slide-out, Linkable, Qty 4	+7,076

Wire Management Column (sold separately)

Required with any technology selection

Pattern Number: 02WMC6X6	+266
Pattern Number: 02WMC10X10	+1,038

Step 1. Metal Finish for Wire Management Column

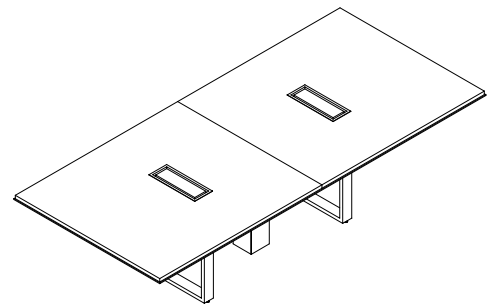
	6x6	10x10
MC __	Powder Coat	+0
PM01	Polished Chrome	+1,252
PM02	Satin Nickel	+1,252
PM03	Oil Rubbed Bronze	+1,874

Please consult [page 7](#) for the palette of DatesWeiser finishes. Natural stone, non-standard glass and veneer, and other technology options are available. Please email customerservice@datesweiser.com for a custom quote. Consult technical information on [page 277](#) for construction details and technical information.

Highline Rectangular Conference Table

48"x108"/ 8 Person

02R48X108



Starting Price: **\$13,246**

48x108 table, veneer Tier 1 top with metal edge, open base, powder coat metal finish

Base Pattern Number: 02R48X108

Step 1. Top Material

V	Veneer
G	Glass
C	Corian
Q	Caesarstone

Step 2. Edge Selection

N __	No Edge
L __	Leather Edge
M __	Metal Edge

Step 3. Base Type

BL	Base Loop	+0
-----------	-----------	----

Step 4. Edge Finish

N __	No Edge	+0
AU __	Spinneybeck Leather: Acqua	+2,625
MC __	Powder Coat	+0
PM01	Polished Chrome	+1,291
PM02	Satin Nickel	+1,291
PM03	Oil Rubbed Bronze	+1,291

Step 5. Top Finish

T1 __	Veneer Tier 1	+0
T2 __	Veneer Tier 2	+974
GC __	Clear Glass, back painted	+4,921
GE __	Etched matte Glass, back painted	+5,803
CS01	Corian Glacier White	+6,130
QS __	Caesarstone	Contact Rep.

Step 6. Base Finish

MC __	Powder Coat	+0
PM01	Polished Chrome	+378
PM02	Satin Nickel	+378
PM03	Oil Rubbed Bronze	+740

Step 7. Microphone and/or Grommet Accommodations: Optional

MA __	Microphone hole (factory cut)	Qty __ x 377 each
GM __	2" Grommet Hole (factory cut), liner, lid, in matching metal finish	Qty __ x 496 each

Step 8. Power & Connectivity Access: Optional

TMHW	Tabletop, Metal lid, Hardwired, Qty 2	+8,796
TMPI	Tabletop, Metal lid, Plug In, Qty 2	+7,496
TMLK	Tabletop, Metal lid, Linkable, Qty 2	+6,394
UMHW	Undermount, Hardwired, Qty 4	+4,788
UMPI	Undermount, Plug In, Qty 4	+3,480
UMLK	Undermount, Linkable, Qty 4	+3,480
SOHW	Undermount Slide-out, Hardwired, Qty 4	+8,340
SOPI	Undermount Slide-out, Plug In, Qty 4	+7,076
SOLK	Undermount Slide-out, Linkable, Qty 4	+7,076

Wire Management Column (sold separately)

Required with any technology selection

Pattern Number: 02WMC6X6	+266
Pattern Number: 02WMC10X10	+1,038

Step 1. Metal Finish for Wire Management Column

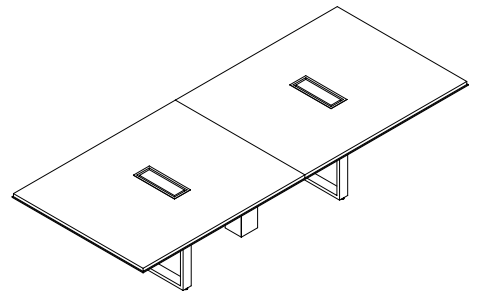
	6x6	10x10
MC __	Powder Coat	+0 +0
PM01	Polished Chrome	+1,252 +571
PM02	Satin Nickel	+1,252 +571
PM03	Oil Rubbed Bronze	+1,874 +2,607

Please consult [page 7](#) for the palette of DatesWeiser finishes. Natural stone, non-standard glass and veneer, and other technology options are available. Please email customerservice@datesweiser.com for a custom quote. Consult technical information on [page 277](#) for construction details and technical information.

Highline Rectangular Conference Table

48"x120"/ 10 Person

02R48X120



Starting Price: **\$14,275**

48x120 table, veneer Tier 1 top with metal edge, open base, powder coat metal finish

Base Pattern Number: 02R48X120

Step 1. Top Material

V	Veneer
G	Glass
C	Corian
Q	Caesarstone

Step 2. Edge Selection

N __	No Edge
L __	Leather Edge
M __	Metal Edge

Step 3. Base Type

BL	Base Loop	+0
-----------	-----------	----

Step 4. Edge Finish

N __	No Edge	+0
AU __	Spinneybeck Leather: Acqua	+2,827
MC __	Powder Coat	+0
PM01	Polished Chrome	+1,345
PM02	Satin Nickel	+1,345
PM03	Oil Rubbed Bronze	+1,345

Step 5. Top Finish

T1 __	Veneer Tier 1	+0
T2 __	Veneer Tier 2	+1,081
GC __	Clear Glass, back painted	+5,450
GE __	Etched matte Glass, back painted	+6,429
CS01	Corian Glacier White	+6,811
QS __	Caesarstone	Contact Rep.

Step 6. Base Finish

MC __	Powder Coat	+0
PM01	Polished Chrome	+378
PM02	Satin Nickel	+378
PM03	Oil Rubbed Bronze	+740

Step 7. Microphone and/or Grommet Accommodations: Optional

MA __	Microphone hole (factory cut)	Qty __ x 377 each
GM __	2" Grommet Hole (factory cut), liner, lid, in matching metal finish	Qty __ x 496 each

Step 8. Power & Connectivity Access: Optional

TMHW	Tabletop, Metal lid, Hardwired, Qty 2	+8,796
TMPI	Tabletop, Metal lid, Plug In, Qty 2	+7,496
TMLK	Tabletop, Metal lid, Linkable, Qty 2	+6,394
UMHW	Undermount, Hardwired, Qty 6	+7,182
UMPI	Undermount, Plug In, Qty 6	+5,220
UMLK	Undermount, Linkable, Qty 6	+5,220
SOHW	Undermount Slide-out, Hardwired, Qty 6	+12,510
SOPI	Undermount Slide-out, Plug In, Qty 6	+10,614
SOLK	Undermount Slide-out, Linkable, Qty 6	+10,614

Wire Management Column (sold separately)

Required with any technology selection

Pattern Number: 02WMC6X6	+266
Pattern Number: 02WMC10X10	+1,038

Step 1. Metal Finish for Wire Management Column

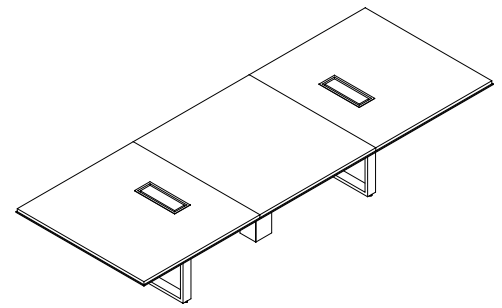
	6x6	10x10
MC __	Powder Coat	+0 +0
PM01	Polished Chrome	+1,252 +571
PM02	Satin Nickel	+1,252 +571
PM03	Oil Rubbed Bronze	+1,874 +2,607

Please consult [page 7](#) for the palette of DatesWeiser finishes. Natural stone, non-standard glass and veneer, and other technology options are available. Please email customerservice@datesweiser.com for a custom quote. Consult technical information on [page 277](#) for construction details and technical information.

Highline Rectangular Conference Table

48"x132"/ 10 Person

02R48X132



Starting Price: **\$17,503**

48x132 table, veneer Tier 1 top with metal edge, open base, powder coat metal finish

Base Pattern Number: 02R48X132

Step 1. Top Material

V	Veneer
G	Glass
C	Corian
Q	Caesarstone

Step 2. Edge Selection

N __	No Edge
L __	Leather Edge
M __	Metal Edge

Step 3. Base Type

BL	Base Loop	+0
-----------	-----------	----

Step 4. Edge Finish

N __	No Edge	+0
AU __	Spinneybeck Leather: Acqua	+3,029
MC __	Powder Coat	+0
PM01	Polished Chrome	+1,346
PM02	Satin Nickel	+1,346
PM03	Oil Rubbed Bronze	+1,346

Step 5. Top Finish

T1 __	Veneer Tier 1	+0
T2 __	Veneer Tier 2	+1,189
GC __	Clear Glass, back painted	+6,070
GE __	Etched matte Glass, back painted	+7,148
CS01	Corian Glacier White	+7,491
QS __	Caesarstone	Contact Rep.

Step 6. Base Finish

MC __	Powder Coat	+0
PM01	Polished Chrome	+378
PM02	Satin Nickel	+378
PM03	Oil Rubbed Bronze	+740

Step 7. Microphone and/or Grommet Accommodations: Optional

MA __	Microphone hole (factory cut)	Qty __ x 377 each
GM __	2" Grommet Hole (factory cut), liner, lid, in matching metal finish	Qty __ x 496 each

Step 8. Power & Connectivity Access: Optional

TMHW	Tabletop, Metal lid, Hardwired, Qty 2	+8,796
TMPI	Tabletop, Metal lid, Plug In, Qty 2	+7,496
TMLK	Tabletop, Metal lid, Linkable, Qty 2	+6,394
UMHW	Undermount, Hardwired, Qty 6	+7,182
UMPI	Undermount, Plug In, Qty 6	+5,220
UMLK	Undermount, Linkable, Qty 6	+5,220
SOHW	Undermount Slide-out, Hardwired, Qty 6	+12,510
SOPI	Undermount Slide-out, Plug In, Qty 6	+10,614
SOLK	Undermount Slide-out, Linkable, Qty 6	+10,614

Wire Management Column (sold separately)

Required with any technology selection

Pattern Number: 02WMC6X6	+266
Pattern Number: 02WMC10X10	+1,038

Step 1. Metal Finish for Wire Management Column

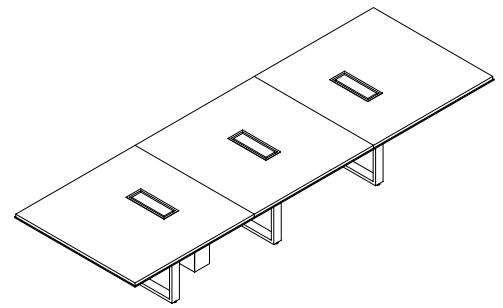
	6x6	10x10
MC __	Powder Coat	+0 +0
PM01	Polished Chrome	+1,252 +571
PM02	Satin Nickel	+1,252 +571
PM03	Oil Rubbed Bronze	+1,874 +2,607

Please consult [page 7](#) for the palette of DatesWeiser finishes. Natural stone, non-standard glass and veneer, and other technology options are available. Please email customerservice@datesweiser.com for a custom quote. Consult technical information on [page 277](#) for construction details and technical information.

Highline Rectangular Conference Table

48"x144"/ 10 Person

02R48X144BL



Starting Price: **\$18,419**

48x144 table, veneer Tier 1 top with metal edge, open base, powder coat metal finish

Base Pattern Number: 02R48X144

Step 1. Top Material

V	Veneer
G	Glass
C	Corian
Q	Caesarstone

Step 2. Edge Selection

N __	No Edge
L __	Leather Edge
M __	Metal Edge

Step 3. Base Type

BL	Base Loop	+0
-----------	-----------	----

Step 4. Edge Finish

N __	No Edge	+0
AU __	Spinneybeck Leather: Acqua	+3,232
MC __	Powder Coat	+0
PM01	Polished Chrome	+1,345
PM02	Satin Nickel	+1,345
PM03	Oil Rubbed Bronze	+1,345

Step 5. Top Finish

T1 __	Veneer Tier 1	+0
T2 __	Veneer Tier 2	+1,297
GC __	Clear Glass, back painted	+6,594
GE __	Etched matte Glass, back painted	+7,768
CS01	Corian Glacier White	+8,172
QS __	Caesarstone	Contact Rep.

Step 6. Base Finish

MC __	Powder Coat	+0
PM01	Polished Chrome	+567
PM02	Satin Nickel	+567
PM03	Oil Rubbed Bronze	+1,110

Step 7. Microphone and/or Grommet Accommodations: Optional

MA __	Microphone hole (factory cut)	Qty __ x 377 each
GM __	2" Grommet Hole (factory cut), liner, lid, in matching metal finish	Qty __ x 496 each

Step 8. Power & Connectivity Access: Optional

TMHW	Tabletop, Metal lid, Hardwired, Qty 3	+13,194
TMPI	Tabletop, Metal lid, Plug In, Qty 3	+11,244
TMLK	Tabletop, Metal lid, Linkable, Qty 3	+9,591
UMHW	Undermount, Hardwired, Qty 6	+7,182
UMPI	Undermount, Plug In, Qty 6	+5,220
UMLK	Undermount, Linkable, Qty 6	+5,220
SOHW	Undermount Slide-out, Hardwired, Qty 6	+12,510
SOPI	Undermount Slide-out, Plug In, Qty 6	+10,614
SOLK	Undermount Slide-out, Linkable, Qty 6	+10,614

Wire Management Column (sold separately)

Required with any technology selection

Pattern Number: 02WMC6X6	+266
Pattern Number: 02WMC10X10	+1,038

Step 1. Metal Finish for Wire Management Column

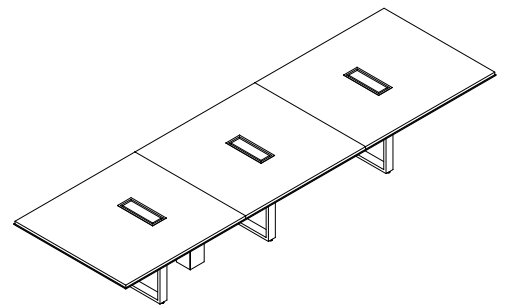
	6x6	10x10
MC __	Powder Coat	+0 +0
PM01	Polished Chrome	+1,252 +571
PM02	Satin Nickel	+1,252 +571
PM03	Oil Rubbed Bronze	+1,874 +2,607

Please consult [page 7](#) for the palette of DatesWeiser finishes. Natural stone, non-standard glass and veneer, and other technology options are available. Please email customerservice@datesweiser.com for a custom quote. Consult technical information on [page 277](#) for construction details and technical information.

Highline Rectangular Conference Table

48"x156"/ 10 - 12 Person

02R48X156



Starting Price: **\$19,128**

48x156 table, veneer Tier 1 top with metal edge, open base, powder coat metal finish

Base Pattern Number: 02R48X156

Step 1. Top Material

V	Veneer
G	Glass
C	Corian
Q	Caesarstone

Step 2. Edge Selection

N __	No Edge
L __	Leather Edge
M __	Metal Edge

Step 3. Base Type

BL	Base Loop	+0
-----------	-----------	----

Step 4. Edge Finish

N __	No Edge	+0
AU __	Spinneybeck Leather: Acqua	+3,434
MC __	Powder Coat	+0
PM01	Polished Chrome	+1,345
PM02	Satin Nickel	+1,345
PM03	Oil Rubbed Bronze	+1,345

Step 5. Top Finish

T1 __	Veneer Tier 1	+0
T2 __	Veneer Tier 2	+1,404
GC __	Clear Glass, back painted	+7,109
GE __	Etched matte Glass, back painted	+8,381
CS01	Corian Glacier White	+8,854
QS __	Caesarstone	Contact Rep.

Step 6. Base Finish

MC __	Powder Coat	+0
PM01	Polished Chrome	+567
PM02	Satin Nickel	+567
PM03	Oil Rubbed Bronze	+1,110

Step 7. Microphone and/or Grommet Accommodations: Optional

MA __	Microphone hole (factory cut)	Qty __ x 377 each
GM __	2" Grommet Hole (factory cut), liner, lid, in matching metal finish	Qty __ x 496 each

Step 8. Power & Connectivity Access: Optional

TMHW	Tabletop, Metal lid, Hardwired, Qty 3	+13,194
TMPI	Tabletop, Metal lid, Plug In, Qty 3	+11,224
TMLK	Tabletop, Metal lid, Linkable, Qty 3	+9,591
UMHW	Undermount, Hardwired, Qty 6	+7,182
UMPI	Undermount, Plug In, Qty 6	+5,220
UMLK	Undermount, Linkable, Qty 6	+5,220
SOHW	Undermount Slide-out, Hardwired, Qty 6	+12,510
SOPI	Undermount Slide-out, Plug In, Qty 6	+10,614
SOLK	Undermount Slide-out, Linkable, Qty 6	+10,614

Wire Management Column (sold separately)

Required with any technology selection

Pattern Number: 02WMC6X6	+266
Pattern Number: 02WMC10X10	+1038

Step 1. Metal Finish for Wire Management Column

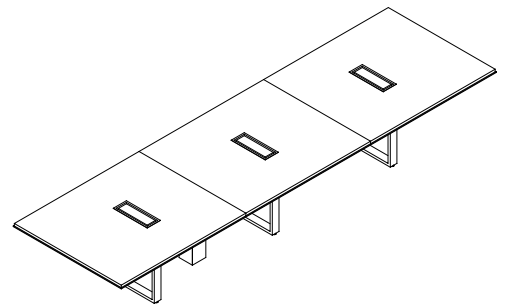
	6x6	10x10
MC __	Powder Coat	+0 +0
PM01	Polished Chrome	+1,252 +571
PM02	Satin Nickel	+1,252 +571
PM03	Oil Rubbed Bronze	+1,874 +2,607

Please consult [page 7](#) for the palette of DatesWeiser finishes. Natural stone, non-standard glass and veneer, and other technology options are available. Please email customerservice@datesweiser.com for a custom quote. Consult technical information on [page 277](#) for construction details and technical information.

Highline Rectangular Conference Table

48"x168"/ 12 Person

02R48X168



Starting Price: **\$20,266**

48x168 table, veneer Tier 1 top with metal edge, open base, powder coat metal finish

Base Pattern Number: 02R48X168

Step 1. Top Material

V	Veneer
G	Glass
C	Corian
Q	Caesarstone

Step 2. Edge Selection

N __	No Edge
L __	Leather Edge
M __	Metal Edge

Step 3. Base Type

BL	Base Loop	+0
-----------	-----------	----

Step 4. Edge Finish

N __	No Edge	+0
AU __	Spinneybeck Leather: Acqua	+3,636
MC __	Powder Coat	+0
PM01	Polished Chrome	+2,214
PM02	Satin Nickel	+2,214
PM03	Oil Rubbed Bronze	+2,214

Step 5. Top Finish

T1 __	Veneer Tier 1	+0
T2 __	Veneer Tier 2	+1,512
GC __	Clear Glass, back painted	+7,641
GE __	Etched matte Glass, back painted	+9,011
CS01	Corian Glacier White	+9,534
QS __	Caesarstone	Contact Rep.

Step 6. Base Finish

MC __	Powder Coat	+0
PM01	Polished Chrome	+567
PM02	Satin Nickel	+567
PM03	Oil Rubbed Bronze	+1,110

Step 7. Microphone and/or Grommet Accommodations: Optional

MA __	Microphone hole (factory cut)	Qty __ x 377 each
GM __	2" Grommet Hole (factory cut), liner, lid, in matching metal finish	Qty __ x 496 each

Step 8. Power & Connectivity Access: Optional

TMHW	Tabletop, Metal lid, Hardwired, Qty 3	+13,194
TMPI	Tabletop, Metal lid, Plug In, Qty 3	+11,244
TMLK	Tabletop, Metal lid, Linkable, Qty 3	+9,591
UMHW	Undermount, Hardwired, Qty 6	+7,182
UMPI	Undermount, Plug In, Qty 6	+5,220
UMLK	Undermount, Linkable, Qty 6	+5,220
SOHW	Undermount Slide-out, Hardwired, Qty 6	+12,510
SOPI	Undermount Slide-out, Plug In, Qty 6	+10,614
SOLK	Undermount Slide-out, Linkable, Qty 6	+10,614

Wire Management Column (sold separately)

Required with any technology selection

Pattern Number: 02WMC6X6	+266
Pattern Number: 02WMC10X10	+1038

Step 1. Metal Finish for Wire Management Column

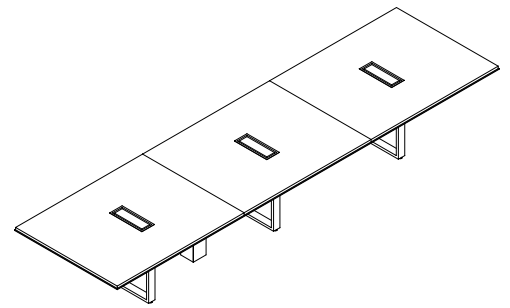
	6x6	10x10
MC __	Powder Coat	+0 +0
PM01	Polished Chrome	+1,252 +571
PM02	Satin Nickel	+1,252 +571
PM03	Oil Rubbed Bronze	+1,874 +2,607

Please consult [page 7](#) for the palette of DatesWeiser finishes. Natural stone, non-standard glass and veneer, and other technology options are available. Please email customerservice@datesweiser.com for a custom quote. Consult technical information on [page 277](#) for construction details and technical information.

Highline Rectangular Conference Table

48"x180"/ 14 Person

02R48X180



Starting Price: **\$21,091**

48x180 table, veneer Tier 1 top with metal edge, open base, powder coat metal finish

Base Pattern Number: 02R48X180

Step 1. Top Material

V	Veneer
G	Glass
C	Corian
Q	Caesarstone

Step 2. Edge Selection

N __	No Edge
L __	Leather Edge
M __	Metal Edge

Step 3. Base Type

BL	Base Loop	+0
-----------	-----------	----

Step 4. Edge Finish

N __	No Edge	+0
AU __	Spinneybeck Leather: Acqua	+3,837
MC __	Powder Coat	+0
PM01	Polished Chrome	+2,214
PM02	Satin Nickel	+2,214
PM03	Oil Rubbed Bronze	+2,114

Step 5. Top Finish

T1 __	Veneer Tier 1	+0
T2 __	Veneer Tier 2	+1,304
GC __	Clear Glass, back painted	+7,831
GE __	Etched matte Glass, back painted	+9,300
CS01	Corian Glacier White	+9,899
QS __	Caesarstone	Contact Rep.

Step 6. Base Finish

MC __	Powder Coat	+0
PM01	Polished Chrome	+567
PM02	Satin Nickel	+567
PM03	Oil Rubbed Bronze	+1,110

Step 7. Microphone and/or Grommet Accommodations: Optional

MA __	Microphone hole (factory cut)	Qty __ x 377 each
GM __	2" Grommet Hole (factory cut), liner, lid, in matching metal finish	Qty __ x 496 each

Step 8. Power & Connectivity Access: Optional

TMHW	Tabletop, Metal lid, Hardwired, Qty 3	+13,194
TMPI	Tabletop, Metal lid, Plug In, Qty 3	+11,244
TMLK	Tabletop, Metal lid, Linkable, Qty 3	+9,591
UMHW	Undermount, Hardwired, Qty 8	+9,576
UMPI	Undermount, Plug In, Qty 8	+6,960
UMLK	Undermount, Linkable, Qty 8	+6,960
SOHW	Undermount Slide-out, Hardwired, Qty 8	+16,680
SOPI	Undermount Slide-out, Plug In, Qty 8	+14,152
SOLK	Undermount Slide-out, Linkable, Qty 8	+14,152

Wire Management Column (sold separately)

Required with any technology selection

Pattern Number: 02WMC6X6	+266
Pattern Number: 02WMC10X10	+1038

Step 1. Metal Finish for Wire Management Column

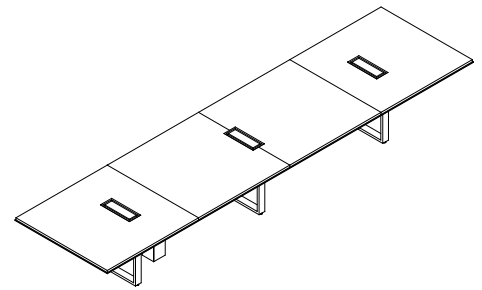
	6x6	10x10
MC __	Powder Coat	+0 +0
PM01	Polished Chrome	+1,252 +571
PM02	Satin Nickel	+1,252 +571
PM03	Oil Rubbed Bronze	+1,874 +2,607

Please consult [page 7](#) for the palette of DatesWeiser finishes. Natural stone, non-standard glass and veneer, and other technology options are available. Please email customerservice@datesweiser.com for a custom quote. Consult technical information on [page 277](#) for construction details and technical information.

Highline Rectangular Conference Table

48"x192"/ 14 Person

02R48X192



Starting Price: **\$21,984**

48x192 table, veneer Tier 1 top with metal edge, open base, powder coat metal finish

Base Pattern Number: 02R48X192

Step 1. Top Material

V	Veneer
G	Glass
C	Corian
Q	Caesarstone

Step 2. Edge Selection

N __	No Edge
L __	Leather Edge
M __	Metal Edge

Step 3. Base Type

BL	Base Loop	+0
-----------	-----------	----

Step 4. Edge Finish

N __	No Edge	+0
AU __	Spinneybeck Leather: Acqua	+4,040
MC __	Powder Coat	+0
PM01	Polished Chrome	+2,214
PM02	Satin Nickel	+2,214
PM03	Oil Rubbed Bronze	+2,214

Step 5. Top Finish

T1 __	Veneer Tier 1	+0
T2 __	Veneer Tier 2	+1,728
GC __	Clear Glass, back painted	+8,683
GE __	Etched matte Glass, back painted	+10,249
CS01	Corian Glacier White	+10,896
QS __	Caesarstone	Contact Rep.

Step 2. Base Finish

MC __	Powder Coat	+0
PM01	Polished Chrome	+567
PM02	Satin Nickel	+567
PM03	Oil Rubbed Bronze	+1,110

Step 7. Microphone and/or Grommet Accommodations: Optional

MA __	Microphone hole (factory cut)	Qty __ x 377 each
GM __	2" Grommet Hole (factory cut), liner, lid, in matching metal finish	Qty __ x 496 each

Step 8. Power & Connectivity Access: Optional

TMHW	Tabletop, Metal lid, Hardwired, Qty 3	+13,194
TMPI	Tabletop, Metal lid, Plug In, Qty 3	+11,244
TMLK	Tabletop, Metal lid, Linkable, Qty 3	+9,591
UMHW	Undermount, Hardwired, Qty 8	+9,576
UMPI	Undermount, Plug In, Qty 8	+6,960
UMLK	Undermount, Linkable, Qty 8	+6,960
SOHW	Undermount Slide-out, Hardwired, Qty 8	+16,680
SOPI	Undermount Slide-out, Plug In, Qty 8	+14,152
SOLK	Undermount Slide-out, Linkable, Qty 8	+14,152

Wire Management Column (sold separately)

Required with any technology selection

Pattern Number: 02WMC6X6	+266
Pattern Number: 02WMC10X10	+1038

Step 1. Metal Finish for Wire Management Column

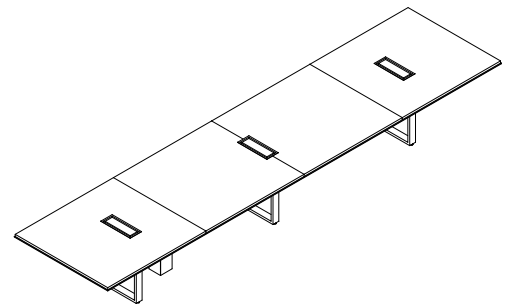
	6x6	10x10
MC __	Powder Coat	+0 +0
PM01	Polished Chrome	+1,252 +571
PM02	Satin Nickel	+1,252 +571
PM03	Oil Rubbed Bronze	+1,874 +2,607

Please consult [page 7](#) for the palette of DatesWeiser finishes. Natural stone, non-standard glass and veneer, and other technology options are available. Please email customerservice@datesweiser.com for a custom quote. Consult technical information on [page 277](#) for construction details and technical information.

Highline Rectangular Conference Table

48"x204"/ 14 Person

02R48X204



Starting Price: **\$23,106**

48x204 table, veneer Tier 1 top with metal edge, open base, powder coat metal finish

Base Pattern Number: 02R48X204

Step 1. Top Material

V	Veneer
G	Glass
C	Corian
Q	Caesarstone

Step 2. Edge Selection

N __	No Edge
L __	Leather Edge
M __	Metal Edge

Step 3. Base Type

BL	Base Loop	+0
-----------	-----------	----

Step 4. Edge Finish

N __	No Edge	+0
AU __	Spinneybeck Leather: Acqua	+4,242
MC __	Powder Coat	+0
PM01	Polished Chrome	+2,214
PM02	Satin Nickel	+2,214
PM03	Oil Rubbed Bronze	+2,214

Step 5. Top Finish

T1 __	Veneer Tier 1	+0
T2 __	Veneer Tier 2	+1,836
GC __	Clear Glass, back painted	+9,216
GE __	Etched matte Glass, back painted	+10,880
CS01	Corian Glacier White	+11,578
QS __	Caesarstone	Contact Rep.

Step 6. Base Finish

MC __	Powder Coat	+0
PM01	Polished Chrome	+567
PM02	Satin Nickel	+567
PM03	Oil Rubbed Bronze	+1,110

Step 7. Microphone and/or Grommet Accommodations: Optional

MA __	Microphone hole (factory cut)	Qty __ x 377 each
GM __	2" Grommet Hole (factory cut), liner, lid, in matching metal finish	Qty __ x 496 each

Step 8. Power & Connectivity Access: Optional

TMHW	Tabletop, Metal lid, Hardwired, Qty 3	+13,194
TMPI	Tabletop, Metal lid, Plug In, Qty 3	+11,244
TMLK	Tabletop, Metal lid, Linkable, Qty 3	+9,591
UMHW	Undermount, Hardwired, Qty 8	+9,576
UMPI	Undermount, Plug In, Qty 8	+6,960
UMLK	Undermount, Linkable, Qty 8	+6,960
SOHW	Undermount Slide-out, Hardwired, Qty 8	+16,680
SOPI	Undermount Slide-out, Plug In, Qty 8	+14,152
SOLK	Undermount Slide-out, Linkable, Qty 8	+14,152

Wire Management Column (sold separately)

Required with any technology selection

Pattern Number: 02WMC6X6	+266
Pattern Number: 02WMC10X10	+1038

Step 1. Metal Finish for Wire Management Column

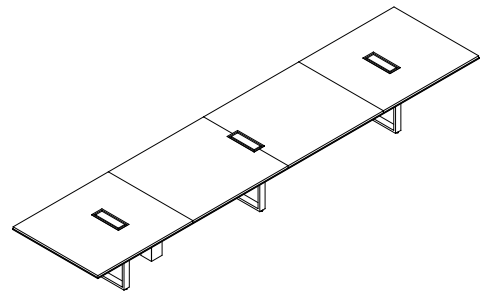
	6x6	10x10
MC __	Powder Coat	+0 +0
PM01	Polished Chrome	+1,252 +571
PM02	Satin Nickel	+1,252 +571
PM03	Oil Rubbed Bronze	+1,874 +2,607

Please consult **page 7** for the palette of DatesWeiser finishes. Natural stone, non-standard glass and veneer, and other technology options are available. Please email customerservice@datesweiser.com for a custom quote. Consult technical information on **page 277** for construction details and technical information.

Highline Rectangular Conference Table

48"x216"/ 16 Person

02R48X216



Starting Price: **\$23,672**

48x216 table, veneer Tier 1 top with metal edge, open base, powder coat metal finish

Base Pattern Number: 02R48X216

Step 1. Top Material

V	Veneer
G	Glass
C	Corian
Q	Caesarstone

Step 2. Edge Selection

N __	No Edge
L __	Leather Edge
M __	Metal Edge

Step 3. Base Type

BL	Base Loop	+0
-----------	-----------	----

Step 4. Edge Finish

N __	No Edge	+0
AU __	Spinneybeck Leather: Acqua	+4,443
MC __	Powder Coat	+0
PM01	Polished Chrome	+2,214
PM02	Satin Nickel	+2,214
PM03	Oil Rubbed Bronze	+2,214

Step 5. Top Finish

T1 __	Veneer Tier 1	+0
T2 __	Veneer Tier 2	+1,944
GC __	Clear Glass, back painted	+9,723
GE __	Etched matte Glass, back painted	+11,485
CS01	Corian Glacier White	+12,259
QS __	Caesarstone	Contcat Rep.

Step 6. Base Finish

MC __	Powder Coat	+0
PM01	Polished Chrome	+567
PM02	Satin Nickel	+567
PM03	Oil Rubbed Bronze	+1,110vaa

Step 7. Microphone and/or Grommet Accommodations: Optional

MA __	Microphone hole (factory cut)	Qty __ x 377 each
GM __	2" Grommet Hole (factory cut), liner, lid, in matching metal finish	Qty __ x 496 each

Step 8. Power & Connectivity Access: Optional

TMHW	Tabletop, Metal lid, Hardwired, Qty 3	+13,194
TMPI	Tabletop, Metal lid, Plug In, Qty 3	+11,244
TMLK	Tabletop, Metal lid, Linkable, Qty 3	+9,591
UMHW	Undermount, Hardwired, Qty 8	+9,576
UMPI	Undermount, Plug In, Qty 8	+6,960
UMLK	Undermount, Linkable, Qty 8	+6,960
SOHW	Undermount Slide-out, Hardwired, Qty 8	+16,680
SOPI	Undermount Slide-out, Plug In, Qty 8	+14,152
SOLK	Undermount Slide-out, Linkable, Qty 8	+14,152

Wire Management Column (sold separately)

Required with any technology selection

Pattern Number: 02WMC6X6	+266
Pattern Number: 02WMC10X10	+1038

Step 1. Metal Finish for Wire Management Column

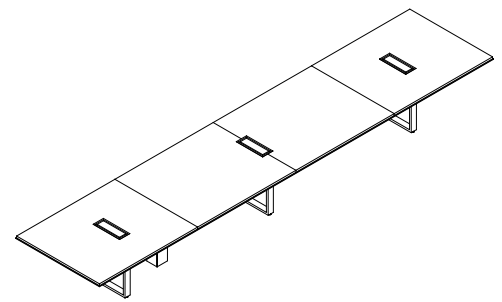
	6x6	10x10
MC __	Powder Coat	+0 +0
PM01	Polished Chrome	+1,252 +571
PM02	Satin Nickel	+1,252 +571
PM03	Oil Rubbed Bronze	+1,874 +2,607

Please consult [page 7](#) for the palette of DatesWeiser finishes. Natural stone, non-standard glass and veneer, and other technology options are available. Please email customerservice@datesweiser.com for a custom quote. Consult technical information on [page 277](#) for construction details and technical information.

Highline Rectangular Conference Table

48"x228"/ 16 Person

02R48X228



Starting Price: **\$24,499**

48x228 table, veneer Tier 1 top with metal edge, open base, powder coat metal finish

Base Pattern Number: 02R48X228

Step 1. Top Material

V	Veneer
G	Glass
C	Corian
Q	Caesarstone

Step 2. Edge Selection

N __	No Edge
L __	Leather Edge
M __	Metal Edge

Step 3. Base Type

BL	Base Loop	+0
-----------	-----------	----

Step 4. Edge Finish

N __	No Edge	+0
AU __	Spinneybeck Leather: Acqua	+4,680
MC __	Powder Coat	+0
PM01	Polished Chrome	+2,214
PM02	Satin Nickel	+2,214
PM03	Oil Rubbed Bronze	+2,214

Step 5. Top Finish

T1 __	Veneer Tier 1	+0
T2 __	Veneer Tier 2	+2,054
GC __	Clear Glass, back painted	+10,245
GE __	Etched matte Glass, back painted	+12,104
CS01	Corian Glacier White	+12,940
QS __	Caesarstone	Contact Rep.

Step 6. Base Finish

MC __	Powder Coat	+0
PM01	Polished Chrome	+567
PM02	Satin Nickel	+567
PM03	Oil Rubbed Bronze	+1,110

Step 7. Microphone and/or Grommet Accommodations: Optional

MA __	Microphone hole (factory cut)	Qty __ x 377 each
GM __	2" Grommet Hole (factory cut), liner, lid, in matching metal finish	Qty __ x 496 each

Step 8. Power & Connectivity Access: Optional

TMHW	Tabletop, Metal lid, Hardwired, Qty 3	+13,194
TMPI	Tabletop, Metal lid, Plug In, Qty 3	+11,244
TMLK	Tabletop, Metal lid, Linkable, Qty 3	+9,591
UMHW	Undermount, Hardwired, Qty 8	+9,576
UMPI	Undermount, Plug In, Qty 8	+6,960
UMLK	Undermount, Linkable, Qty 8	+6,960
SOHW	Undermount Slide-out, Hardwired, Qty 8	+16,680
SOPI	Undermount Slide-out, Plug In, Qty 8	+14,152
SOLK	Undermount Slide-out, Linkable, Qty 8	+14,152

Wire Management Column (sold separately)

Required with any technology selection

Pattern Number: 02WMC6X6	+266
Pattern Number: 02WMC10X10	+1038

Step 1. Metal Finish for Wire Management Column

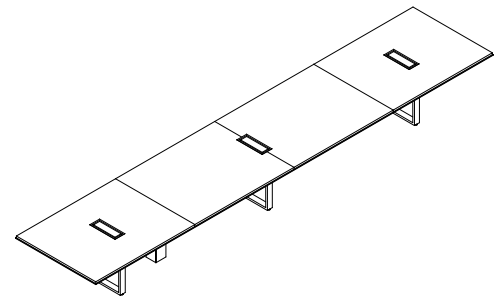
	6x6	10x10
MC __	Powder Coat	+0 +0
PM01	Polished Chrome	+1,252 +571
PM02	Satin Nickel	+1,252 +571
PM03	Oil Rubbed Bronze	+1,874 +2,607

Please consult [page 7](#) for the palette of DatesWeiser finishes. Natural stone, non-standard glass and veneer, and other technology options are available. Please email customerservice@datesweiser.com for a custom quote. Consult technical information on [page 277](#) for construction details and technical information.

Highline Rectangular Conference Table

48"x240" / 18 Person

02R48X240



Starting Price: **\$25,344**

48x240 table, veneer Tier 1 top with metal edge, open base, powder coat metal finish

Base Pattern Number: 02R48X240

Step 1. Top Material

V	Veneer
G	Glass
C	Corian
Q	Caesarstone

Step 2. Edge Selection

N __	No Edge
L __	Leather Edge
M __	Metal Edge

Step 3. Base Type

BL	Base Loop	+0
-----------	-----------	----

Step 4. Edge Finish

N __	No Edge	+0
AU __	Spinneybeck Leather: Acqua	+4,847
MC __	Powder Coat	+0
PM01	Polished Chrome	+2,214
PM02	Satin Nickel	+2,214
PM03	Oil Rubbed Bronze	+2,214

Step 5. Top Finish

T1 __	Veneer Tier 1	+0
T2 __	Veneer Tier 2	+2,161
GC __	Clear Glass, back painted	+10,763
GE __	Etched matte Glass, back painted	+12,721
CS01	Corian Glacier White	+13,620
QS __	Caesarstone	Contact Rep.

Step 6. Base Finish

MC __	Powder Coat	+0
PM01	Polished Chrome	+567
PM02	Satin Nickel	+567
PM03	Oil Rubbed Bronze	+1,110

Step 7. Microphone and/or Grommet Accommodations: Optional

MA __	Microphone hole (factory cut)	Qty __ x 377 each
GM __	2" Grommet Hole (factory cut), liner, lid, in matching metal finish	Qty __ x 496 each

Step 8. Power & Connectivity Access: Optional

TMHW	Tabletop, Metal lid, Hardwired, Qty 3	+13,194
TMPI	Tabletop, Metal lid, Plug In, Qty 3	+11,244
TMLK	Tabletop, Metal lid, Linkable, Qty 3	+9,591
UMHW	Undermount, Hardwired, Qty 10	+9,576
UMPI	Undermount, Plug In, Qty 10	+6,960
UMLK	Undermount, Linkable, Qty 10	+6,960
SOHW	Undermount Slide-out, Hardwired, Qty 10	+16,680
SOPI	Undermount Slide-out, Plug In, Qty 10	+14,152
SOLK	Undermount Slide-out, Linkable, Qty 10	+14,152

Wire Management Column (sold separately)

Required with any technology selection

Pattern Number: 02WMC6X6	+266
Pattern Number: 02WMC10X10	+1038

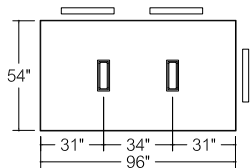
Step 1. Metal Finish for Wire Management Column

	6x6	10x10
MC __	Powder Coat	+0 +0
PM01	Polished Chrome	+1,252 +571
PM02	Satin Nickel	+1,252 +571
PM03	Oil Rubbed Bronze	+1,874 +2,607

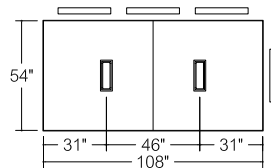
Please consult [page 7](#) for the palette of DatesWeiser finishes. Natural stone, non-standard glass and veneer, and other technology options are available. Please email customerservice@datesweiser.com for a custom quote. Consult technical information on [page 277](#) for construction details and technical information.

Highline Rectangular Conference Tables Index

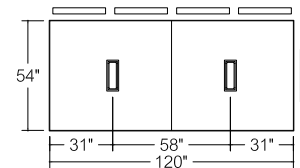
54" width



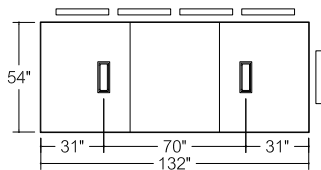
O2R54X96
6 - 8 Person Table



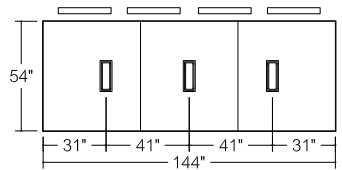
O2R54X108
8 Person Table



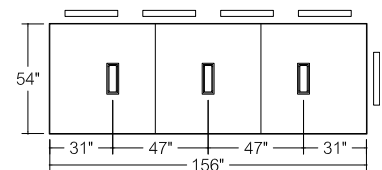
O2R54X120
10 Person Table



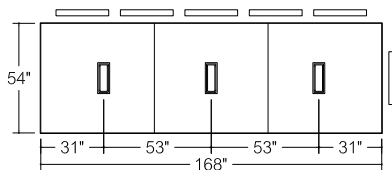
O2R54X132
10 Person Table



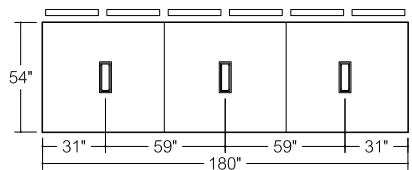
O2R54X144
10 Person Table



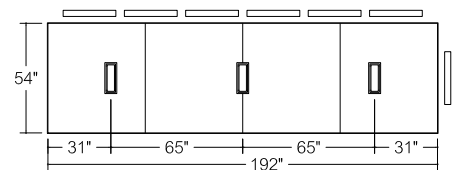
O2R54X156
10 - 12 Person Table



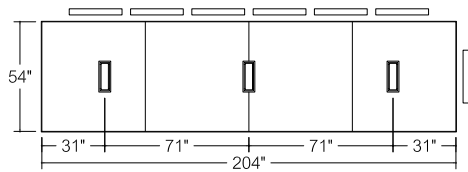
O2R54X168
12 Person Table



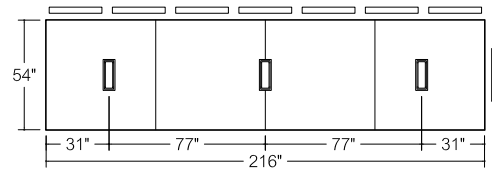
O2R54X180
14 Person Table



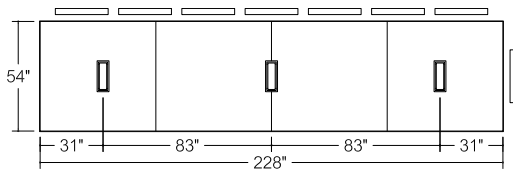
O2R54X192
14 Person Table



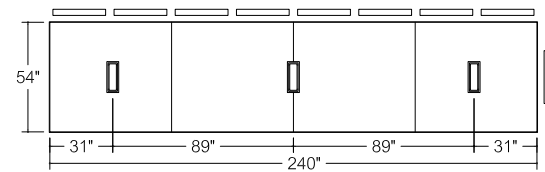
02R54X204
14 Person Table



02R54X216
16 Person Table



02R54X228
16 Person Table

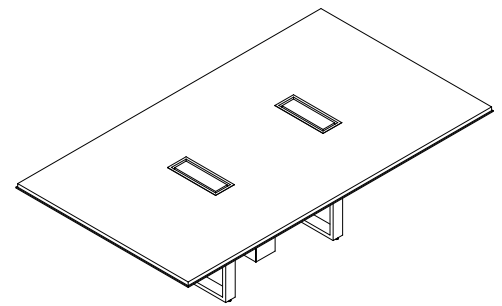


02R54X240
18 Person Table

Highline Rectangular Conference Table

54"x96"/ 6 - 8 Person

02R54X96



Starting Price: **\$13,790**

54x96 table, veneer Tier 1 top with metal edge, open base, powder coat metal finish

Base Pattern Number: 02R54X96

Step 1. Top Material

V	Veneer
G	Glass
C	Corian
Q	Caesarstone

Step 2. Edge Selection

N __	No Edge
L __	Leather Edge
M __	Metal Edge

Step 3. Base Type

BL	Base Loop	+0
-----------	-----------	----

Step 4. Edge Finish

N __	No Edge	+0
AU __	Spinneybeck Leather: Acqua	+2,525
MC __	Powder Coat	+0
PM01	Polished Chrome	+1,320
PM02	Satin Nickel	+1,320
PM03	Oil Rubbed Bronze	+1,320

Step 5. Top Finish

T1 __	Veneer Tier 1	+0
T2 __	Veneer Tier 2	+972
GC __	Clear Glass, back painted	+4,943
GE __	Etched matte Glass, back painted	+5,824
CS01	Corian Glacier White	+6,129
QS __	Caesarstone	Contact Rep.

Step 6. Base Finish

MC __	Powder Coat	+0
PM01	Polished Chrome	+378
PM02	Satin Nickel	+378
PM03	Oil Rubbed Bronze	+740

Step 7. Microphone and/or Grommet Accommodations: Optional

MA __	Microphone hole (factory cut)	Qty __ x 377 each
GM __	2" Grommet Hole (factory cut), liner, lid, in matching metal finish	Qty __ x 496 each

Step 8. Power & Connectivity Access: Optional

TMHW	Tabletop, Metal lid, Hardwired, Qty 2	+8,796
TMPI	Tabletop, Metal lid, Plug In, Qty 2	+7,496
TMLK	Tabletop, Metal lid, Linkable, Qty 2	+6,394
UMHW	Undermount, Hardwired, Qty 4	+4,788
UMPI	Undermount, Plug In, Qty 4	+3,480
UMLK	Undermount, Linkable, Qty 4	+3,480
SOHW	Undermount Slide-out, Hardwired, Qty 4	+8,340
SOPI	Undermount Slide-out, Plug In, Qty 4	+7,076
SOLK	Undermount Slide-out, Linkable, Qty 4	+7,076

Wire Management Column (sold separately)

Required with any technology selection

Pattern Number: 02WMC6X6	+266
Pattern Number: 02WMC10X10	+1,038

Step 1. Metal Finish for Wire Management Column

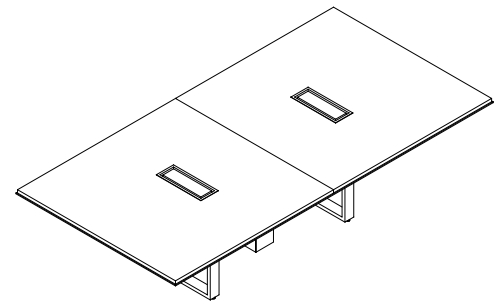
	6x6	10x10
MC __	Powder Coat	+0 +0
PM01	Polished Chrome	+1,252 +571
PM02	Satin Nickel	+1,252 +571
PM03	Oil Rubbed Bronze	+1,874 +2,607

Please consult [page 7](#) for the palette of DatesWeiser finishes. Natural stone, non-standard glass and veneer, and other technology options are available. Please email customerservice@datesweiser.com for a custom quote. Consult technical information on [page 277](#) for construction details and technical information.

Highline Rectangular Conference Table

54"x108"/ 8 Person

02R54X108



Starting Price: **\$14,940**

54x108 table, veneer Tier 1 top with metal edge, open base, powder coat metal finish

Base Pattern Number: 02R54X108

Step 1. Top Material

V	Veneer
G	Glass
C	Corian
Q	Caesarstone

Step 2. Edge Selection

N __	No Edge
L __	Leather Edge
M __	Metal Edge

Step 3. Base Type

BL	Base Loop	+0
-----------	-----------	----

Step 4. Edge Finish

N __	No Edge	+0
AU __	Spinneybeck Leather: Acqua	+2,726
MC __	Powder Coat	+0
PM01	Polished Chrome	+1,320
PM02	Satin Nickel	+1,320
PM03	Oil Rubbed Bronze	+1,320

Step 5. Top Finish

T1 __	Veneer Tier 1	+0
T2 __	Veneer Tier 2	+1,095
GC __	Clear Glass, back painted	+5540
GE __	Etched matte Glass, back painted	+6,530
CS01	Corian Glacier White	+6,896
QS __	Caesarstone	Contact Rep.

Step 6. Base Finish

MC __	Powder Coat	+0
PM01	Polished Chrome	+378
PM02	Satin Nickel	+378
PM03	Oil Rubbed Bronze	+740

Step 7. Microphone and/or Grommet Accommodations: Optional

MA __	Microphone hole (factory cut)	Qty __ x 377 each
GM __	2" Grommet Hole (factory cut), liner, lid, in matching metal finish	Qty __ x 496 each

Step 8. Power & Connectivity Access: Optional

TMHW	Tabletop, Metal lid, Hardwired, Qty 2	+8,796
TMPI	Tabletop, Metal lid, Plug In, Qty 2	+7,496
TMLK	Tabletop, Metal lid, Linkable, Qty 2	+6,394
UMHW	Undermount, Hardwired, Qty 4	+4,788
UMPI	Undermount, Plug In, Qty 4	+3,480
UMLK	Undermount, Linkable, Qty 4	+3,480
SOHW	Undermount Slide-out, Hardwired, Qty 4	+8,340
SOPI	Undermount Slide-out, Plug In, Qty 4	+7,076
SOLK	Undermount Slide-out, Linkable, Qty 4	+7,076

Wire Management Column (sold separately)

Required with any technology selection

Pattern Number: 02WMC6X6	+266
Pattern Number: 02WMC10X10	+1,038

Step 1. Metal Finish for Wire Management Column

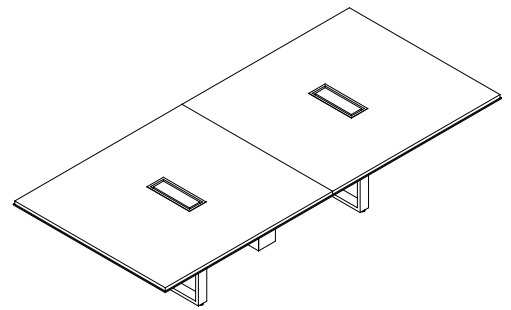
	6x6	10x10
MC __	Powder Coat	+0 +0
PM01	Polished Chrome	+1,252 +571
PM02	Satin Nickel	+1,252 +571
PM03	Oil Rubbed Bronze	+1,874 +2,607

Please consult [page 7](#) for the palette of DatesWeiser finishes. Natural stone, non-standard glass and veneer, and other technology options are available. Please email customerservice@datesweiser.com for a custom quote. Consult technical information on [page 277](#) for construction details and technical information.

Highline Rectangular Conference Table

54"x120"/ 10 Person

02R54X120



Starting Price: **\$16,100**

54x120 table, veneer Tier 1 top with metal edge, open base, powder coat metal finish

Base Pattern Number: 02R54X120

Step 1. Top Material

V	Veneer
G	Glass
C	Corian
Q	Caesarstone

Step 2. Edge Selection

N __	No Edge
L __	Leather Edge
M __	Metal Edge

Step 3. Base Type

BL	Base Loop	+0
-----------	-----------	----

Step 4. Edge Finish

N __	No Edge	+0
AU __	Spinneybeck Leather: Acqua	+2,929
MC __	Powder Coat	+0
PM01	Polished Chrome	+1,320
PM02	Satin Nickel	+1,320
PM03	Oil Rubbed Bronze	+1,320

Step 5. Top Finish

T1 __	Veneer Tier 1	+0
T2 __	Veneer Tier 2	+1,214
GC __	Clear Glass, back painted	+6,131
GE __	Etched matte Glass, back painted	+7,232
CS01	Corian Glacier White	+7,660
QS __	Caesarstone	Contact Rep.

Step 6. Base Finish

MC __	Powder Coat	+0
PM01	Polished Chrome	+378
PM02	Satin Nickel	+378
PM03	Oil Rubbed Bronze	+740

Step 7. Microphone and/or Grommet Accommodations: Optional

MA __	Microphone hole (factory cut)	Qty __ x 377 each
GM __	2" Grommet Hole (factory cut), liner, lid, in matching metal finish	Qty __ x 496 each

Step 8. Power & Connectivity Access: Optional

TMHW	Tabletop, Metal lid, Hardwired, Qty 2	+8,796
TMPI	Tabletop, Metal lid, Plug In, Qty 2	+7,496
TMLK	Tabletop, Metal lid, Linkable, Qty 2	+6,394
UMHW	Undermount, Hardwired, Qty 6	+7,182
UMPI	Undermount, Plug In, Qty 6	+5,220
UMLK	Undermount, Linkable, Qty 6	+5,220
SOHW	Undermount Slide-out, Hardwired, Qty 6	+12,510
SOPI	Undermount Slide-out, Plug In, Qty 6	+10,614
SOLK	Undermount Slide-out, Linkable, Qty 6	+10,614

Wire Management Column (sold separately)

Required with any technology selection

Pattern Number: 02WMC6X6	+266
Pattern Number: 02WMC10X10	+1,038

Step 1. Metal Finish for Wire Management Column

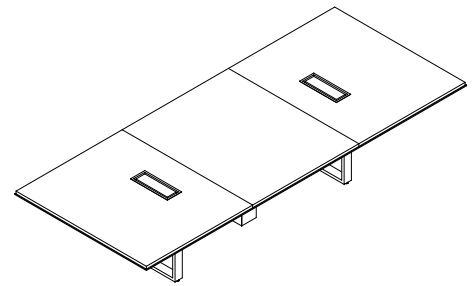
	6x6	10x10
MC __	Powder Coat	+0 +0
PM01	Polished Chrome	+1,252 +571
PM02	Satin Nickel	+1,252 +571
PM03	Oil Rubbed Bronze	+1,874 +2,607

Please consult [page 7](#) for the palette of DatesWeiser finishes. Natural stone, non-standard glass and veneer, and other technology options are available. Please email customerservice@datesweiser.com for a custom quote. Consult technical information on [page 277](#) for construction details and technical information.

Highline Rectangular Conference Table

54"x132"/ 10 Person

02R54X132



Starting Price: **\$19,749**

54x132 table, veneer Tier 1 top with metal edge, open base, powder coat metal finish

Base Pattern Number: 02R54X132

Step 1. Top Material

V	Veneer
G	Glass
C	Corian
Q	Caesarstone

Step 2. Edge Selection

N __	No Edge
L __	Leather Edge
M __	Metal Edge

Step 3. Base Type

BL	Base Loop	+0
-----------	-----------	----

Step 4. Edge Finish

N __	No Edge	+0
AU __	Spinneybeck Leather: Acqua	+3,130
MC __	Powder Coat	+0
PM01	Polished Chrome	+1,504
PM02	Satin Nickel	+1,504
PM03	Oil Rubbed Bronze	+1,504

Step 5. Top Finish

T1 __	Veneer Tier 1	+0
T2 __	Veneer Tier 2	+1,338
GC __	Clear Glass, back painted	+6,831
GE __	Etched matte Glass, back painted	+8,043
CS01	Corian Glacier White	+8,428
QS __	Caesarstone	Contact Rep.

Step 6. Base Finish

MC __	Powder Coat	+0
PM01	Polished Chrome	+378
PM02	Satin Nickel	+378
PM03	Oil Rubbed Bronze	+740

Step 7. Microphone and/or Grommet Accommodations: Optional

MA __	Microphone hole (factory cut)	Qty __ x 377 each
GM __	2" Grommet Hole (factory cut), liner, lid, in matching metal finish	Qty __ x 496 each

Step 8. Power & Connectivity Access: Optional

TMHW	Tabletop, Metal lid, Hardwired, Qty 2	+8,796
TMPI	Tabletop, Metal lid, Plug In, Qty 2	+7,496
TMLK	Tabletop, Metal lid, Linkable, Qty 2	+6,394
UMHW	Undermount, Hardwired, Qty 6	+7,182
UMPI	Undermount, Plug In, Qty 6	+5,220
UMLK	Undermount, Linkable, Qty 6	+5,220
SOHW	Undermount Slide-out, Hardwired, Qty 6	+12,510
SOPI	Undermount Slide-out, Plug In, Qty 6	+10,614
SOLK	Undermount Slide-out, Linkable, Qty 6	+10,614

Wire Management Column (sold separately)

Required with any technology selection

Pattern Number: 02WMC6X6	+266
Pattern Number: 02WMC10X10	+1,038

Step 1. Metal Finish for Wire Management Column

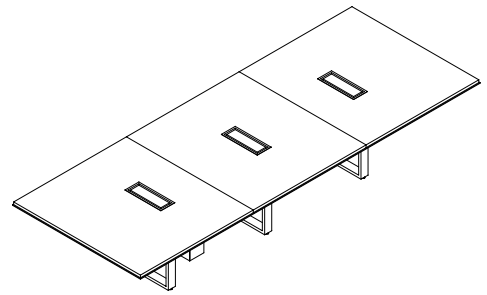
	6x6	10x10
MC __	Powder Coat	+0 +0
PM01	Polished Chrome	+1,252 +571
PM02	Satin Nickel	+1,252 +571
PM03	Oil Rubbed Bronze	+1,874 +2,607

Please consult [page 7](#) for the palette of DatesWeiser finishes. Natural stone, non-standard glass and veneer, and other technology options are available. Please email customerservice@datesweiser.com for a custom quote. Consult technical information on [page 277](#) for construction details and technical information.

Highline Rectangular Conference Table

54"x144"/ 10 Person

02R54X144



Starting Price: **\$20,780**

54x144 table, veneer Tier 1 top with metal edge, open base, powder coat metal finish

Base Pattern Number: 02R54X144

Step 1. Top Material

V	Veneer
G	Glass
C	Corian
Q	Caesarstone

Step 2. Edge Selection

N __	No Edge
L __	Leather Edge
M __	Metal Edge

Step 3. Base Type

BL	Base Loop	+0
-----------	-----------	----

Step 4. Edge Finish

N __	No Edge	+0
AU __	Spinneybeck Leather: Acqua	+3,332
MC __	Powder Coat	+0
PM01	Polished Chrome	+1,504
PM02	Satin Nickel	+1,504
PM03	Oil Rubbed Bronze	+1,504

Step 5. Top Finish

T1 __	Veneer Tier 1	+0
T2 __	Veneer Tier 2	+1,458
GC __	Clear Glass, back painted	+7,421
GE __	Etched matte Glass, back painted	+8,743
CS01	Corian Glacier White	+9,193
QS __	Caesarstone	Contact Rep.

Step 6. Base Finish

MC __	Powder Coat	+0
PM01	Polished Chrome	+567
PM02	Satin Nickel	+567
PM03	Oil Rubbed Bronze	+1,110

Step 7. Microphone and/or Grommet Accommodations: Optional

MA __	Microphone hole (factory cut)	Qty __ x 377 each
GM __	2" Grommet Hole (factory cut), liner, lid, in matching metal finish	Qty __ x 496 each

Step 8. Power & Connectivity Access: Optional

TMHW	Tabletop, Metal lid, Hardwired, Qty 3	+13,194
TMPI	Tabletop, Metal lid, Plug In, Qty 3	+11,244
TMLK	Tabletop, Metal lid, Linkable, Qty 3	+9,591
UMHW	Undermount, Hardwired, Qty 6	+7,182
UMPI	Undermount, Plug In, Qty 6	+5,220
UMLK	Undermount, Linkable, Qty 6	+5,220
SOHW	Undermount Slide-out, Hardwired, Qty 6	+12,510
SOPI	Undermount Slide-out, Plug In, Qty 6	+10,614
SOLK	Undermount Slide-out, Linkable, Qty 6	+10,614

Wire Management Column (sold separately)

Required with any technology selection

Pattern Number: 02WMC6X6	+266
Pattern Number: 02WMC10X10	+1,038

Step 1. Metal Finish for Wire Management Column

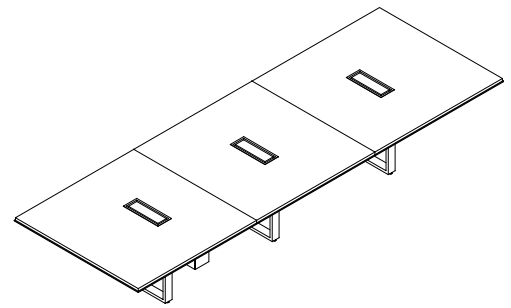
	6x6	10x10
MC __	Powder Coat	+0 +0
PM01	Polished Chrome	+1,252 +571
PM02	Satin Nickel	+1,252 +571
PM03	Oil Rubbed Bronze	+1,874 +2,607

Please consult [page 7](#) for the palette of DatesWeiser finishes. Natural stone, non-standard glass and veneer, and other technology options are available. Please email customerservice@datesweiser.com for a custom quote. Consult technical information on [page 277](#) for construction details and technical information.

Highline Rectangular Conference Table

54"x156"/ 10 - 12 Person

02R54X156



Starting Price: **\$21,328**

54x156 table, veneer Tier 1 top with metal edge, open base, powder coat metal finish

Base Pattern Number: 02R54X156

Step 1. Top Material

V	Veneer
G	Glass
C	Corian
Q	Caesarstone

Step 2. Edge Selection

N __	No Edge
L __	Leather Edge
M __	Metal Edge

Step 3. Base Type

BL	Base Loop	+0
-----------	-----------	----

Step 4. Edge Finish

N __	No Edge	+0
AU __	Spinneybeck Leather: Acqua	+3,535
MC __	Powder Coat	+0
PM01	Polished Chrome	+1,504
PM02	Satin Nickel	+1,504
PM03	Oil Rubbed Bronze	+1,504

Step 5. Top Finish

T1 __	Veneer Tier 1	+0
T2 __	Veneer Tier 2	+1,578
GC __	Clear Glass, back painted	+7,988
GE __	Etched matte Glass, back painted	+9,419
CS01	Corian Glacier White	+9,959
QS __	Caesarstone	Contact Rep.

Step 6. Base Finish

MC __	Powder Coat	+0
PM01	Polished Chrome	+567
PM02	Satin Nickel	+567
PM03	Oil Rubbed Bronze	+1,110

Step 7. Microphone and/or Grommet Accommodations: Optional

MA __	Microphone hole (factory cut)	Qty __ x 377 each
GM __	2" Grommet Hole (factory cut), liner, lid, in matching metal finish	Qty __ x 496 each

Step 8. Power & Connectivity Access: Optional

TMHW	Tabletop, Metal lid, Hardwired, Qty 3	+13,194
TMPI	Tabletop, Metal lid, Plug In, Qty 3	+11,244
TMLK	Tabletop, Metal lid, Linkable, Qty 3	+9,591
UMHW	Undermount, Hardwired, Qty 6	+7,182
UMPI	Undermount, Plug In, Qty 6	+5,220
UMLK	Undermount, Linkable, Qty 6	+5,220
SOHW	Undermount Slide-out, Hardwired, Qty 6	+12,510
SOPI	Undermount Slide-out, Plug In, Qty 6	+10,614
SOLK	Undermount Slide-out, Linkable, Qty 6	+10,614

Wire Management Column (sold separately)

Required with any technology selection

Pattern Number: 02WMC6X6	+266
Pattern Number: 02WMC10X10	+1,038

Step 1. Metal Finish for Wire Management Column

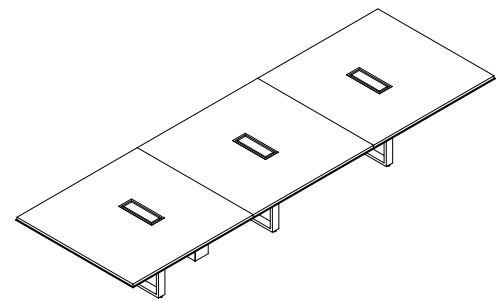
	6x6	10x10
MC __	Powder Coat	+0 +0
PM01	Polished Chrome	+1,252 +571
PM02	Satin Nickel	+1,252 +571
PM03	Oil Rubbed Bronze	+1,874 +2,607

Please consult [page 7](#) for the palette of DatesWeiser finishes. Natural stone, non-standard glass and veneer, and other technology options are available. Please email customerservice@datesweiser.com for a custom quote. Consult technical information on [page 277](#) for construction details and technical information.

Highline Rectangular Conference Table

54"x168"/ 12 Person

02R54X168



Starting Price: **\$22,598**

54x168 table, veneer Tier 1 top with metal edge, open base, powder coat metal finish

Base Pattern Number: 02R54X168

Step 1. Top Material

V	Veneer
G	Glass
C	Corian
Q	Caesarstone

Step 2. Edge Selection

N __	No Edge
L __	Leather Edge
M __	Metal Edge

Step 3. Base Type

BL	Base Loop	+0
-----------	-----------	----

Step 4. Edge Finish

N __	No Edge	+0
AU __	Spinneybeck Leather: Acqua	+3,736
MC __	Powder Coat	+0
PM01	Polished Chrome	+2,244
PM02	Satin Nickel	+2,244
PM03	Oil Rubbed Bronze	+2,244

Step 5. Top Finish

T1 __	Veneer Tier 1	+0
T2 __	Veneer Tier 2	+1,703
GC __	Clear Glass, back painted	+8,589
GE __	Etched matte Glass, back painted	+10,130
CS01	Corian Glacier White	+10,727
QS __	Caesarstone	Contact Rep.

Step 6. Base Finish

MC __	Powder Coat	+0
PM01	Polished Chrome	+567
PM02	Satin Nickel	+567
PM03	Oil Rubbed Bronze	+1,110

Step 7. Microphone and/or Grommet Accommodations: Optional

MA __	Microphone hole (factory cut)	Qty __ x 377 each
GM __	2" Grommet Hole (factory cut), liner, lid, in matching metal finish	Qty __ x 496 each

Step 8. Power & Connectivity Access: Optional

TMHW	Tabletop, Metal lid, Hardwired, Qty 3	+13,194
TMPI	Tabletop, Metal lid, Plug In, Qty 3	+11,244
TMLK	Tabletop, Metal lid, Linkable, Qty 3	+9,591
UMHW	Undermount, Hardwired, Qty 6	+7,182
UMPI	Undermount, Plug In, Qty 6	+5,220
UMLK	Undermount, Linkable, Qty 6	+5,220
SOHW	Undermount Slide-out, Hardwired, Qty 6	+12,510
SOPI	Undermount Slide-out, Plug In, Qty 6	+10,614
SOLK	Undermount Slide-out, Linkable, Qty 6	+10,614

Wire Management Column (sold separately)

Required with any technology selection

Pattern Number: 02WMC6X6	+266
Pattern Number: 02WMC10X10	+1,038

Step 1. Metal Finish for Wire Management Column

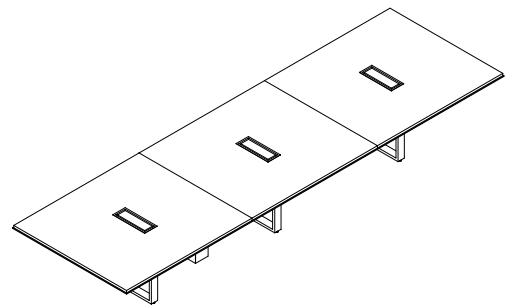
	6x6	10x10
MC __	Powder Coat	+0 +0
PM01	Polished Chrome	+1,252 +571
PM02	Satin Nickel	+1,252 +571
PM03	Oil Rubbed Bronze	+1,874 +2,607

Please consult [page 7](#) for the palette of DatesWeiser finishes. Natural stone, non-standard glass and veneer, and other technology options are available. Please email customerservice@datesweiser.com for a custom quote. Consult technical information on [page 277](#) for construction details and technical information.

Highline Rectangular Conference Table

54"x180"/ 14 Person

02R54X180



Starting Price: **\$23,210**

54x180 table, veneer Tier 1 top with metal edge, open base, powder coat metal finish

Base Pattern Number: 02R54X180

Step 1. Top Material

V	Veneer
G	Glass
C	Corian
Q	Caesarstone

Step 2. Edge Selection

N __	No Edge
L __	Leather Edge
M __	Metal Edge

Step 3. Base Type

BL	Base Loop	+0
-----------	-----------	----

Step 4. Edge Finish

N __	No Edge	+0
AU __	Spinneybeck Leather: Acqua	+3,938
MC __	Powder Coat	+0
PM01	Polished Chrome	+2,244
PM02	Satin Nickel	+2,244
PM03	Oil Rubbed Bronze	+2,244

Step 5. Top Finish

T1 __	Veneer Tier 1	+0
T2 __	Veneer Tier 2	+1,822
GC __	Clear Glass, back painted	+9,158
GE __	Etched matte Glass, back painted	+10,809
CS01	Corian Glacier White	+11,492
QS __	Caesarstone	Contact Rep.

Step 6. Base Finish

MC __	Powder Coat	+0
PM01	Polished Chrome	+567
PM02	Satin Nickel	+567
PM03	Oil Rubbed Bronze	+1,110

Step 7. Microphone and/or Grommet Accommodations: Optional

MA __	Microphone hole (factory cut)	Qty __ x 377 each
GM __	2" Grommet Hole (factory cut), liner, lid, in matching metal finish	Qty __ x 496 each

Step 8. Power & Connectivity Access: Optional

TMHW	Tabletop, Metal lid, Hardwired, Qty 3	+13,194
TMPI	Tabletop, Metal lid, Plug In, Qty 3	+11,244
TMLK	Tabletop, Metal lid, Linkable, Qty 3	+9,591
UMHW	Undermount, Hardwired, Qty 8	+9,576
UMPI	Undermount, Plug In, Qty 8	+6,960
UMLK	Undermount, Linkable, Qty 8	+6,960
SOHW	Undermount Slide-out, Hardwired, Qty 8	+16,680
SOPI	Undermount Slide-out, Plug In, Qty 8	+14,152
SOLK	Undermount Slide-out, Linkable, Qty 8	+14,152

Wire Management Column (sold separately)

Required with any technology selection

Pattern Number: 02WMC6X6	+266
Pattern Number: 02WMC10X10	+1,038

Step 1. Metal Finish for Wire Management Column

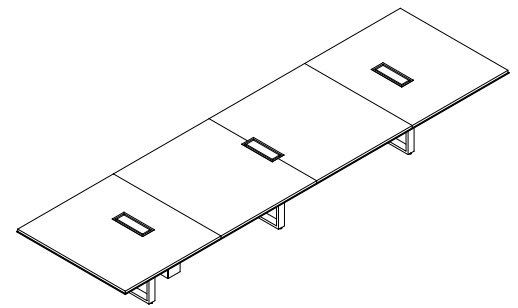
	6x6	10x10
MC __	Powder Coat	+0 +0
PM01	Polished Chrome	+1,252 +571
PM02	Satin Nickel	+1,252 +571
PM03	Oil Rubbed Bronze	+1,874 +2,607

Please consult [page 7](#) for the palette of DatesWeiser finishes. Natural stone, non-standard glass and veneer, and other technology options are available. Please email customerservice@datesweiser.com for a custom quote. Consult technical information on [page 277](#) for construction details and technical information.

Highline Rectangular Conference Table

54"x192"/ 14 Person

02R54X192



Starting Price: **\$25,449**

54x192 table, veneer Tier 1 top with metal edge, open base, powder coat metal finish

Base Pattern Number: 02R54X192

Step 1. Top Material

V	Veneer
G	Glass
C	Corian
Q	Caesarstone

Step 2. Edge Selection

N __	No Edge
L __	Leather Edge
M __	Metal Edge

Step 3. Base Type

BL	Base Loop	+0
-----------	-----------	----

Step 4. Edge Finish

N __	No Edge	+0
AU __	Spinneybeck Leather: Acqua	+4,140
MC __	Powder Coat	+0
PM01	Polished Chrome	+2,244
PM02	Satin Nickel	+2,244
PM03	Oil Rubbed Bronze	+2,244

Step 5. Top Finish

T1 __	Veneer Tier 1	+0
T2 __	Veneer Tier 2	+1,945
GC __	Clear Glass, back painted	+9,798
GE __	Etched matte Glass, back painted	+11,561
CS01	Corian Glacier White	+12,259
QS __	Caesarstone	Contact Rep.

Step 6. Base Finish

MC __	Powder Coat	+0
PM01	Polished Chrome	+567
PM02	Satin Nickel	+567
PM03	Oil Rubbed Bronze	+1,110

Step 7. Microphone and/or Grommet Accommodations: Optional

MA __	Microphone hole (factory cut)	Qty __ x 377 each
GM __	2" Grommet Hole (factory cut), liner, lid, in matching metal finish	Qty __ x 496 each

Step 8. Power & Connectivity Access: Optional

TMHW	Tabletop, Metal lid, Hardwired, Qty 3	+13,194
TMPI	Tabletop, Metal lid, Plug In, Qty 3	+11,244
TMLK	Tabletop, Metal lid, Linkable, Qty 3	+9,591
UMHW	Undermount, Hardwired, Qty 8	+9,576
UMPI	Undermount, Plug In, Qty 8	+6,960
UMLK	Undermount, Linkable, Qty 8	+6,960
SOHW	Undermount Slide-out, Hardwired, Qty 8	+16,680
SOPI	Undermount Slide-out, Plug In, Qty 8	+14,152
SOLK	Undermount Slide-out, Linkable, Qty 8	+14,152

Wire Management Column (sold separately)

Required with any technology selection

Pattern Number: 02WMC6X6	+266
Pattern Number: 02WMC10X10	+1,038

Step 1. Metal Finish for Wire Management Column

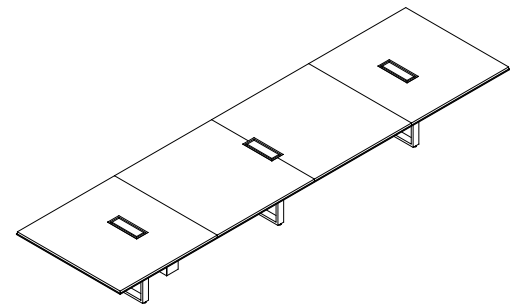
	6x6	10x10
MC __	Powder Coat	+0 +0
PM01	Polished Chrome	+1,252 +571
PM02	Satin Nickel	+1,252 +571
PM03	Oil Rubbed Bronze	+1,874 +2,607

Please consult [page 7](#) for the palette of DatesWeiser finishes. Natural stone, non-standard glass and veneer, and other technology options are available. Please email customerservice@datesweiser.com for a custom quote. Consult technical information on [page 277](#) for construction details and technical information.

Highline Rectangular Conference Table

54"x204"/ 14 Person

02R54X204



Starting Price: **\$26,072**

54x204 table, veneer Tier 1 top with metal edge, open base, powder coat metal finish

Base Pattern Number: 02R54X204

Step 1. Top Material

V	Veneer
G	Glass
C	Corian
Q	Caesarstone

Step 2. Edge Selection

N __	No Edge
L __	Leather Edge
M __	Metal Edge

Step 3. Base Type

BL	Base Loop	+0
-----------	-----------	----

Step 4. Edge Finish

N __	No Edge	+0
AU __	Spinneybeck Leather: Acqua	+4,342
MC __	Powder Coat	+0
PM01	Polished Chrome	+2,244
PM02	Satin Nickel	+2,244
PM03	Oil Rubbed Bronze	+2,244

Step 5. Top Finish

T1 __	Veneer Tier 1	+0
T2 __	Veneer Tier 2	+2,066
GC __	Clear Glass, back painted	+10,370
GE __	Etched matte Glass, back painted	+12,243
CS01	Corian Glacier White	+13,025
QS __	Caesarstone	Contact Rep.

Step 6. Base Finish

MC __	Powder Coat	+0
PM01	Polished Chrome	+567
PM02	Satin Nickel	+567
PM03	Oil Rubbed Bronze	+1,110

Step 7. Microphone and/or Grommet Accommodations: Optional

MA __	Microphone hole (factory cut)	Qty __ x 377 each
GM __	2" Grommet Hole (factory cut), liner, lid, in matching metal finish	Qty __ x 496 each

Step 8. Power & Connectivity Access: Optional

TMHW	Tabletop, Metal lid, Hardwired, Qty 3	+13,194
TMPI	Tabletop, Metal lid, Plug In, Qty 3	+11,244
TMLK	Tabletop, Metal lid, Linkable, Qty 3	+9,591
UMHW	Undermount, Hardwired, Qty 8	+9,576
UMPI	Undermount, Plug In, Qty 8	+6,960
UMLK	Undermount, Linkable, Qty 8	+6,960
SOHW	Undermount Slide-out, Hardwired, Qty 8	+16,680
SOPI	Undermount Slide-out, Plug In, Qty 8	+14,152
SOLK	Undermount Slide-out, Linkable, Qty 8	+14,152

Wire Management Column (sold separately)

Required with any technology selection

Pattern Number: 02WMC6X6	+266
Pattern Number: 02WMC10X10	+1,038

Step 1. Metal Finish for Wire Management Column

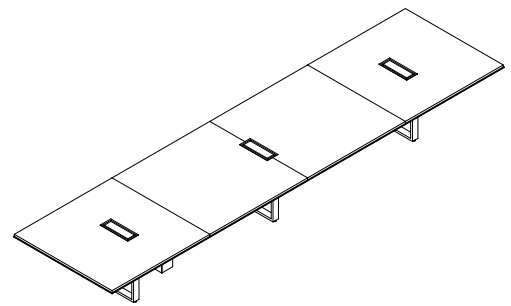
	6x6	10x10
MC __	Powder Coat	+0 +0
PM01	Polished Chrome	+1,252 +571
PM02	Satin Nickel	+1,252 +571
PM03	Oil Rubbed Bronze	+1,874 +2,607

Please consult [page 7](#) for the palette of DatesWeiser finishes. Natural stone, non-standard glass and veneer, and other technology options are available. Please email customerservice@datesweiser.com for a custom quote. Consult technical information on [page 277](#) for construction details and technical information.

Highline Rectangular Conference Table

54"x216"/ 16 Person

02R54X216



Starting Price: **\$26,708**

54x216 table, veneer Tier 1 top with metal edge, open base, powder coat metal finish

Base Pattern Number: 02R54X216

Step 1. Top Material

V	Veneer
G	Glass
C	Corian
Q	Caesarstone

Step 2. Edge Selection

N __	No Edge
L __	Leather Edge
M __	Metal Edge

Step 3. Base Type

BL	Base Loop	+0
-----------	-----------	----

Step 4. Edge Finish

N __	No Edge	+0
AU __	Spinneybeck Leather: Acqua	+4,544
MC __	Powder Coat	+0
PM01	Polished Chrome	+2,244
PM02	Satin Nickel	+2,244
PM03	Oil Rubbed Bronze	+2,244

Step 5. Top Finish

T1 __	Veneer Tier 1	+0
T2 __	Veneer Tier 2	+2,189
GC __	Clear Glass, back painted	+10,942
GE __	Etched matte Glass, back painted	+12,925
CS01	Corian Glacier White	+13,792
QS __	Caesarstone	Contact Rep.

Step 6. Base Finish

MC __	Powder Coat	+0
PM01	Polished Chrome	+567
PM02	Satin Nickel	+567
PM03	Oil Rubbed Bronze	+1,110

Step 7. Microphone and/or Grommet Accommodations: Optional

MA __	Microphone hole (factory cut)	Qty __ x 377 each
GM __	2" Grommet Hole (factory cut), liner, lid, in matching metal finish	Qty __ x 496 each

Step 8. Power & Connectivity Access: Optional

TMHW	Tabletop, Metal lid, Hardwired, Qty 3	+13,194
TMPI	Tabletop, Metal lid, Plug In, Qty 3	+11,244
TMLK	Tabletop, Metal lid, Linkable, Qty 3	+9,591
UMHW	Undermount, Hardwired, Qty 8	+9,576
UMPI	Undermount, Plug In, Qty 8	+6,960
UMLK	Undermount, Linkable, Qty 8	+6,960
SOHW	Undermount Slide-out, Hardwired, Qty 8	+16,680
SOPI	Undermount Slide-out, Plug In, Qty 8	+14,152
SOLK	Undermount Slide-out, Linkable, Qty 8	+14,152

Wire Management Column (sold separately)

Required with any technology selection

Pattern Number: 02WMC6X6	+266
Pattern Number: 02WMC10X10	+1,038

Step 1. Metal Finish for Wire Management Column

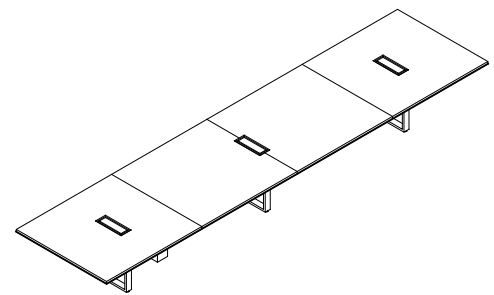
	6x6	10x10
MC __	Powder Coat	+0 +0
PM01	Polished Chrome	+1,252 +571
PM02	Satin Nickel	+1,252 +571
PM03	Oil Rubbed Bronze	+1,874 +2,607

Please consult [page 7](#) for the palette of DatesWeiser finishes. Natural stone, non-standard glass and veneer, and other technology options are available. Please email customerservice@datesweiser.com for a custom quote. Consult technical information on [page 277](#) for construction details and technical information.

Highline Rectangular Conference Table

54"x228"/ 16 Person

02R54X228



Starting Price: **\$27,313**

54x228 table, veneer Tier 1 top with metal edge, open base, powder coat metal finish

Base Pattern Number: 02R54X228

Step 1. Top Material

V	Veneer
G	Glass
C	Corian
Q	Caesarstone

Step 2. Edge Selection

N __	No Edge
L __	Leather Edge
M __	Metal Edge

Step 3. Base Type

BL	Base Loop	+0
-----------	-----------	----

Step 4. Edge Finish

N __	No Edge	+0
AU __	Spinneybeck Leather: Acqua	+4,746
MC __	Powder Coat	+0
PM01	Polished Chrome	+2,244
PM02	Satin Nickel	+2,244
PM03	Oil Rubbed Bronze	+2,244

Step 5. Top Finish

T1 __	Veneer Tier 1	+0
T2 __	Veneer Tier 2	+2,308
GC __	Clear Glass, back painted	+11,514
GE __	Etched matte Glass, back painted	+13,606
CS01	Corian Glacier White	+14,556
QS __	Caesarstone	Contact Rep.

Step 6. Base Finish

MC __	Powder Coat	+0
PM01	Polished Chrome	+567
PM02	Satin Nickel	+567
PM03	Oil Rubbed Bronze	+1,110

Step 7. Microphone and/or Grommet Accommodations: Optional

MA __	Microphone hole (factory cut)	Qty __ x 377 each
GM __	2" Grommet Hole (factory cut), liner, lid, in matching metal finish	Qty __ x 496 each

Step 8. Power & Connectivity Access: Optional

TMHW	Tabletop, Metal lid, Hardwired, Qty 3	+13,194
TMPI	Tabletop, Metal lid, Plug In, Qty 3	+11,244
TMLK	Tabletop, Metal lid, Linkable, Qty 3	+9,591
UMHW	Undermount, Hardwired, Qty 8	+9,576
UMPI	Undermount, Plug In, Qty 8	+6,960
UMLK	Undermount, Linkable, Qty 8	+6,960
SOHW	Undermount Slide-out, Hardwired, Qty 8	+16,680
SOPI	Undermount Slide-out, Plug In, Qty 8	+14,152
SOLK	Undermount Slide-out, Linkable, Qty 8	+14,152

Wire Management Column (sold separately)

Required with any technology selection

Pattern Number: 02WMC6X6	+266
Pattern Number: 02WMC10X10	+1,038

Step 1. Metal Finish for Wire Management Column

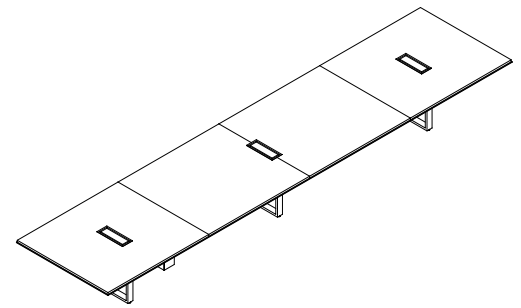
	6x6	10x10
MC __	Powder Coat	+0 +0
PM01	Polished Chrome	+1,252 +571
PM02	Satin Nickel	+1,252 +571
PM03	Oil Rubbed Bronze	+1,874 +2,607

Please consult [page 7](#) for the palette of DatesWeiser finishes. Natural stone, non-standard glass and veneer, and other technology options are available. Please email customerservice@datesweiser.com for a custom quote. Consult technical information on [page 277](#) for construction details and technical information.

Highline Rectangular Conference Table

54"x240" / 18 Person

02R54X240



Starting Price: **\$27,942**

54x240 table, veneer Tier 1 top with metal edge, open base, powder coat metal finish

Base Pattern Number: 02R54X240

Step 1. Top Material

V	Veneer
G	Glass
C	Corian
Q	Caesarstone

Step 2. Edge Selection

N __	No Edge
L __	Leather Edge
M __	Metal Edge

Step 3. Base Type

BL	Base Loop	+0
-----------	-----------	----

Step 4. Edge Finish

N __	No Edge	+0
AU __	Spinneybeck Leather: Acqua	+4,948
MC __	Powder Coat	+0
PM01	Polished Chrome	+2,244
PM02	Satin Nickel	+2,244
PM03	Oil Rubbed Bronze	+2,244

Step 5. Top Finish

T1 __	Veneer Tier 1	+0
T2 __	Veneer Tier 2	+2,431
GC __	Clear Glass, back painted	+12,085
GE __	Etched matte Glass, back painted	+14,288
CS01	Corian Glacier White	+15,324
QS __	Caesarstone	Contact Rep.

Step 6. Base Finish

MC __	Powder Coat	+0
PM01	Polished Chrome	+567
PM02	Satin Nickel	+567
PM03	Oil Rubbed Bronze	+1,110

Step 7. Microphone and/or Grommet Accommodations: Optional

MA __	Microphone hole (factory cut)	Qty __ x 377 each
GM __	2" Grommet Hole (factory cut), liner, lid, in matching metal finish	Qty __ x 496 each

Step 8. Power & Connectivity Access: Optional

TMHW	Tabletop, Metal lid, Hardwired, Qty 3	+13,194
TMPI	Tabletop, Metal lid, Plug In, Qty 3	+11,244
TMLK	Tabletop, Metal lid, Linkable, Qty 3	+9,591
UMHW	Undermount, Hardwired, Qty 10	+11,970
UMPI	Undermount, Plug In, Qty 10	+8,700
UMLK	Undermount, Linkable, Qty 10	+8,700
SOHW	Undermount Slide-out, Hardwired, Qty 10	+20,850
SOPI	Undermount Slide-out, Plug In, Qty 10	+17,690
SOLK	Undermount Slide-out, Linkable, Qty 10	+17,690

Wire Management Column (sold separately)

Required with any technology selection

Pattern Number: 02WMC6X6	+266
Pattern Number: 02WMC10X10	+1,038

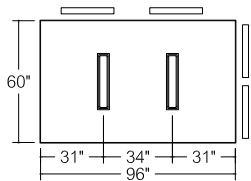
Step 1. Metal Finish for Wire Management Column

	6x6	10x10
MC __	Powder Coat	+0 +0
PM01	Polished Chrome	+1,252 +571
PM02	Satin Nickel	+1,252 +571
PM03	Oil Rubbed Bronze	+1,874 +2,607

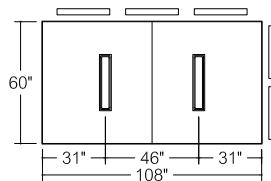
Please consult [page 7](#) for the palette of DatesWeiser finishes. Natural stone, non-standard glass and veneer, and other technology options are available. Please email customerservice@datesweiser.com for a custom quote. Consult technical information on [page 277](#) for construction details and technical information.

Highline Rectangular Conference Tables Index

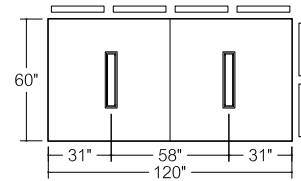
60" width



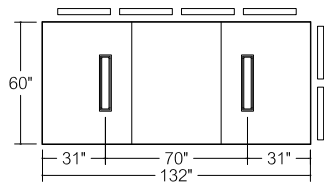
02R60X96
8 Person Table



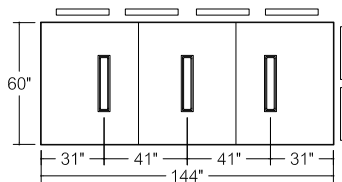
02R60X108
10 Person Table



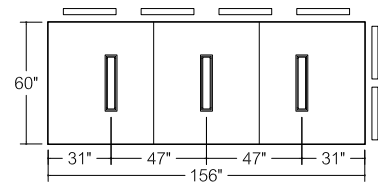
02R60X120
12 Person Table



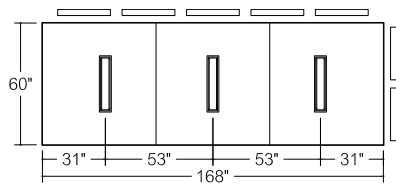
02R60X132
12 Person Table



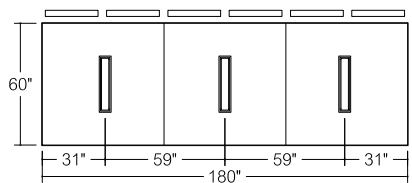
02R60X144
12 Person Table



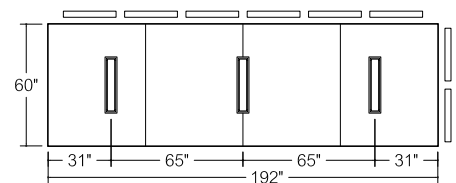
02R60X156
12 Person Table



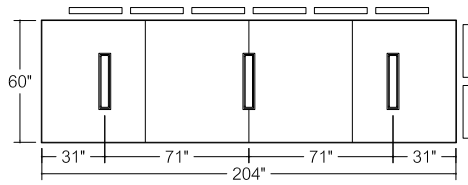
02R60X168
14 Person Table



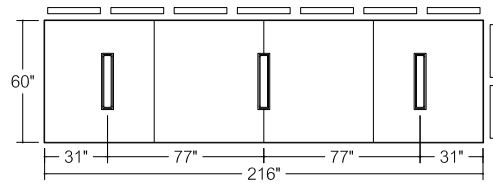
02R60X180
16 Person Table



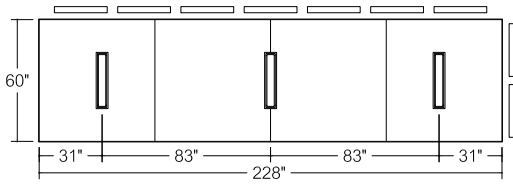
02R60X192
16 Person Table



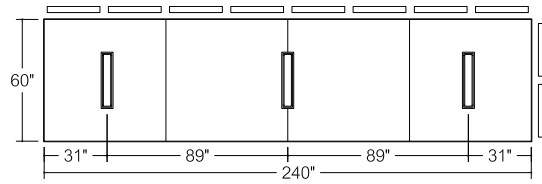
02R60X204
16 Person Table



02R60X216
18 Person Table



02R60X228
18 Person Table

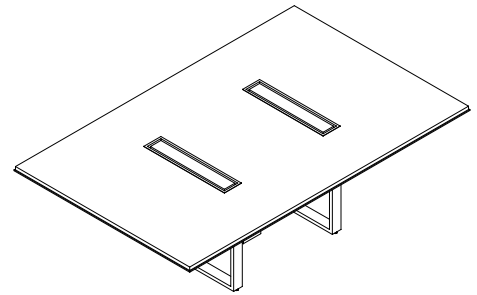


02R60X240
20 Person Table

Highline Rectangular Conference Table

60"x96"/ 8 Person

02R60X96



Starting Price: **\$14,291**

60x96 table, veneer Tier 1 top with metal edge, open base, powder coat metal finish

Base Pattern Number: 02R60X96

Step 1. Top Material

V	Veneer
G	Glass
C	Corian
Q	Caesarstone

Step 2. Edge Selection

N __	No Edge
L __	Leather Edge
M __	Metal Edge

Step 3. Base Type

BL	Base Loop	+0
-----------	-----------	----

Step 4. Edge Finish

N __	No Edge	+0
AU __	Spinneybeck Leather: Acqua	+2,625
MC __	Powder Coat	+0
PM01	Polished Chrome	+1,338
PM02	Satin Nickel	+1,338
PM03	Oil Rubbed Bronze	+1,338

Step 5. Top Finish

T1 __	Veneer Tier 1	+0
T2 __	Veneer Tier 2	+1,080
GC __	Clear Glass, back painted	+5,450
GE __	Etched matte Glass, back painted	+6,429
CS01	Corian Glacier White	+6,811
QS __	Caesarstone	Contact Rep.

Step 6. Base Finish

MC __	Powder Coat	+0
PM01	Polished Chrome	+359
PM02	Satin Nickel	+359
PM03	Oil Rubbed Bronze	+1,240

Step 7. Microphone and/or Grommet Accommodations: Optional

MA __	Microphone hole (factory cut)	Qty __ x 377 each
GM __	2" Grommet Hole (factory cut), liner, lid, in matching metal finish	Qty __ x 496 each

Step 8. Power & Connectivity Access: Optional

TMHW	Tabletop, Metal lid, Hardwired, Qty 2	+11,172
TMPI	Tabletop, Metal lid, Plug In, Qty 2	+9,866
TMLK	Tabletop, Metal lid, Linkable, Qty 2	+9,866
UMHW	Undermount, Hardwired, Qty 4	+4,788
UMPI	Undermount, Plug In, Qty 4	+3,480
UMLK	Undermount, Linkable, Qty 4	+3,480
SOHW	Undermount Slide-out, Hardwired, Qty 4	+8,340
SOPI	Undermount Slide-out, Plug In, Qty 4	+7,076
SOLK	Undermount Slide-out, Linkable, Qty 4	+7,076

Wire Management Column (sold separately)

Required with any technology selection

Pattern Number: 02WMC6X6	+266
Pattern Number: 02WMC10X10	+1038

Step 1. Metal Finish for Wire Management Column

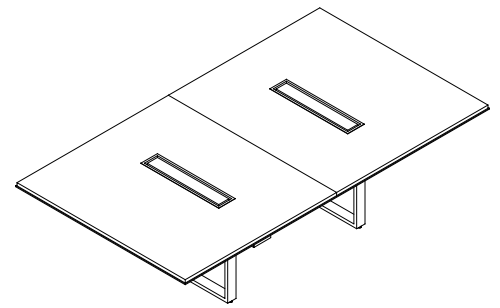
	6x6	10x10
MC __	Powder Coat	+0 +0
PM01	Polished Chrome	+1,252 +571
PM02	Satin Nickel	+1,252 +571
PM03	Oil Rubbed Bronze	+1,874 +2,607

Please consult [page 7](#) for the palette of DatesWeiser finishes. Natural stone, non-standard glass and veneer, and other technology options are available. Please email customerservice@datesweiser.com for a custom quote. Consult technical information on [page 277](#) for construction details and technical information.

Highline Rectangular Conference Table

60"x108"/ 10 Person

02R60X108



Starting Price: **\$15,396**

60x108 table, veneer Tier 1 top with metal edge, open base, powder coat metal finish

Base Pattern Number: 02R60X108

Step 1. Top Material

V	Veneer
G	Glass
C	Corian
Q	Caesarstone

Step 2. Edge Selection

N __	No Edge
L __	Leather Edge
M __	Metal Edge

Step 3. Base Type

BL	Base Loop	+0
-----------	-----------	----

Step 4. Edge Finish

N __	No Edge	+0
AU __	Spinneybeck Leather: Acqua	+2,827
MC __	Powder Coat	+0
PM01	Polished Chrome	+1,338
PM02	Satin Nickel	+1,338
PM03	Oil Rubbed Bronze	+1,338

Step 5. Top Finish

T1 __	Veneer Tier 1	+0
T2 __	Veneer Tier 2	+1,215
GC __	Clear Glass, back painted	+6,101
GE __	Etched matte Glass, back painted	+7,204
CS01	Corian Glacier White	+7,661
QS __	Caesarstone	Contact Rep.

Step 6. Base Finish

MC __	Powder Coat	+0
PM01	Polished Chrome	+359
PM02	Satin Nickel	+359
PM03	Oil Rubbed Bronze	+1,240

Step 7. Microphone and/or Grommet Accommodations: Optional

MA __	Microphone hole (factory cut)	Qty __ x 377 each
GM __	2" Grommet Hole (factory cut), liner, lid, in matching metal finish	Qty __ x 496 each

Step 8. Power & Connectivity Access: Optional

TMHW	Tabletop, Metal lid, Hardwired, Qty 2	+11,172
TMPI	Tabletop, Metal lid, Plug In, Qty 2	+9,866
TMLK	Tabletop, Metal lid, Linkable, Qty 2	+9,866
UMHW	Undermount, Hardwired, Qty 4	+4,788
UMPI	Undermount, Plug In, Qty 4	+3,480
UMLK	Undermount, Linkable, Qty 4	+3,480
SOHW	Undermount Slide-out, Hardwired, Qty 4	+8,340
SOPI	Undermount Slide-out, Plug In, Qty 4	+7,076
SOLK	Undermount Slide-out, Linkable, Qty 4	+7,076

Wire Management Column (sold separately)

Required with any technology selection

Pattern Number: 02WMC6X6	+266
Pattern Number: 02WMC10X10	+1038

Step 1. Metal Finish for Wire Management Column

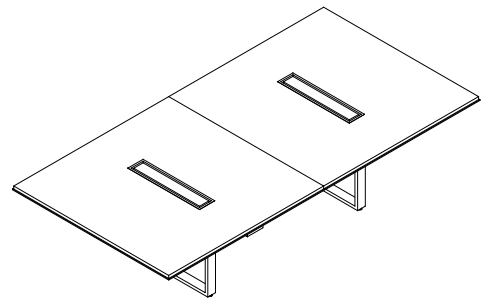
	6x6	10x10
MC __	Powder Coat	+0 +0
PM01	Polished Chrome	+1,252 +571
PM02	Satin Nickel	+1,252 +571
PM03	Oil Rubbed Bronze	+1,874 +2,607

Please consult [page 7](#) for the palette of DatesWeiser finishes. Natural stone, non-standard glass and veneer, and other technology options are available. Please email customerservice@datesweiser.com for a custom quote. Consult technical information on [page 277](#) for construction details and technical information.

Highline Rectangular Conference Table

60"x120"/ 12 Person

02R60X120



Starting Price: **\$16,428**

60x120 table, veneer Tier 1 top with metal edge, open base, powder coat metal finish

Base Pattern Number: 02R60X120

Step 1. Top Material

V	Veneer
G	Glass
C	Corian
Q	Caesarstone

Step 2. Edge Selection

N __	No Edge
L __	Leather Edge
M __	Metal Edge

Step 3. Base Type

BL	Base Loop	+0
-----------	-----------	----

Step 4. Edge Finish

N __	No Edge	+0
AU __	Spinneybeck Leather: Acqua	+3,029
MC __	Powder Coat	+0
PM01	Polished Chrome	+1,338
PM02	Satin Nickel	+1,338
PM03	Oil Rubbed Bronze	+1,338

Step 5. Top Finish

T1 __	Veneer Tier 1	+0
T2 __	Veneer Tier 2	+1,349
GC __	Clear Glass, back painted	+6,750
GE __	Etched matte Glass, back painted	+7,974
CS01	Corian Glacier White	+8,511
QS __	Caesarstone	Contact Rep.

Step 6. Base Finish

MC __	Powder Coat	+0
PM01	Polished Chrome	+359
PM02	Satin Nickel	+359
PM03	Oil Rubbed Bronze	+1,240

Step 7. Microphone and/or Grommet Accommodations: Optional

MA __	Microphone hole (factory cut)	Qty __ x 377 each
GM __	2" Grommet Hole (factory cut), liner, lid, in matching metal finish	Qty __ x 496 each

Step 8. Power & Connectivity Access: Optional

TMHW	Tabletop, Metal lid, Hardwired, Qty 2	+11,172
TMPI	Tabletop, Metal lid, Plug In, Qty 2	+9,866
TMLK	Tabletop, Metal lid, Linkable, Qty 2	+9,866
UMHW	Undermount, Hardwired, Qty 6	+7,182
UMPI	Undermount, Plug In, Qty 6	+5,220
UMLK	Undermount, Linkable, Qty 6	+5,220
SOHW	Undermount Slide-out, Hardwired, Qty 6	+12,510
SOPI	Undermount Slide-out, Plug In, Qty 6	+10,614
SOLK	Undermount Slide-out, Linkable, Qty 6	+10,614

Wire Management Column (sold separately)

Required with any technology selection

Pattern Number: 02WMC6X6	+266
Pattern Number: 02WMC10X10	+1038

Step 1. Metal Finish for Wire Management Column

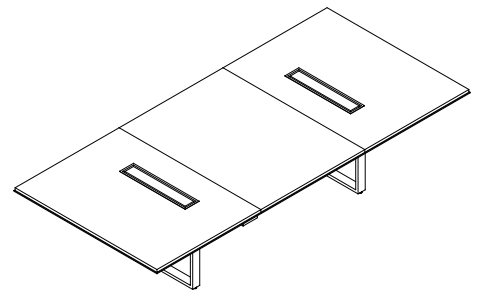
	6x6	10x10
MC __	Powder Coat	+0 +0
PM01	Polished Chrome	+1,252 +571
PM02	Satin Nickel	+1,252 +571
PM03	Oil Rubbed Bronze	+1,874 +2,607

Please consult [page 7](#) for the palette of DatesWeiser finishes. Natural stone, non-standard glass and veneer, and other technology options are available. Please email customerservice@datesweiser.com for a custom quote. Consult technical information on [page 277](#) for construction details and technical information.

Highline Rectangular Conference Table

60"x132"/ 12 Person

02R60X132



Starting Price: **\$19,540**

60x132 table, veneer Tier 1 top with metal edge, open base, powder coat metal finish

Base Pattern Number: 02R60X132

Step 1. Top Material

V	Veneer
G	Glass
C	Corian
Q	Caesarstone

Step 2. Edge Selection

N __	No Edge
L __	Leather Edge
M __	Metal Edge

Step 3. Base Type

BL	Base Loop	+0
-----------	-----------	----

Step 4. Edge Finish

N __	No Edge	+0
AU __	Spinneybeck Leather: Acqua	+3,232
MC __	Powder Coat	+0
PM01	Polished Chrome	+1,525
PM02	Satin Nickel	+1,525
PM03	Oil Rubbed Bronze	+1,525

Step 5. Top Finish

T1 __	Veneer Tier 1	+0
T2 __	Veneer Tier 2	+1,484
GC __	Clear Glass, back painted	+7,489
GE __	Etched matte Glass, back painted	+8,834
CS01	Corian Glacier White	+9,363
QS __	Caesarstone	Contact Rep.

Step 6. Base Finish

MC __	Powder Coat	+0
PM01	Polished Chrome	+359
PM02	Satin Nickel	+359
PM03	Oil Rubbed Bronze	+1,240

Step 7. Microphone and/or Grommet Accommodations: Optional

MA __	Microphone hole (factory cut)	Qty __ x 377 each
GM __	2" Grommet Hole (factory cut), liner, lid, in matching metal finish	Qty __ x 496 each

Step 8. Power & Connectivity Access: Optional

TMHW	Tabletop, Metal lid, Hardwired, Qty 2	+11,172
TMPI	Tabletop, Metal lid, Plug In, Qty 2	+9,866
TMLK	Tabletop, Metal lid, Linkable, Qty 2	+9,866
UMHW	Undermount, Hardwired, Qty 6	+7,182
UMPI	Undermount, Plug In, Qty 6	+5,220
UMLK	Undermount, Linkable, Qty 6	+5,220
SOHW	Undermount Slide-out, Hardwired, Qty 6	+12,510
SOPI	Undermount Slide-out, Plug In, Qty 6	+10,614
SOLK	Undermount Slide-out, Linkable, Qty 6	+10,614

Wire Management Column (sold separately)

Required with any technology selection

Pattern Number: 02WMC6X6	+266
Pattern Number: 02WMC10X10	+1038

Step 1. Metal Finish for Wire Management Column

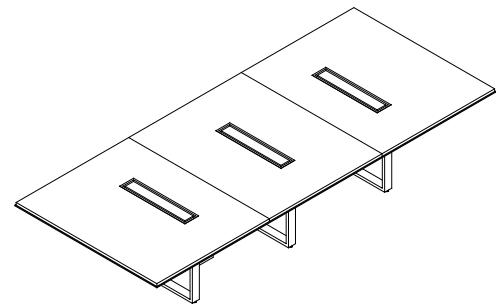
		6x6	10x10
MC __	Powder Coat	+0	+0
PM01	Polished Chrome	+1,252	+571
PM02	Satin Nickel	+1,252	+571
PM03	Oil Rubbed Bronze	+1,874	+2,607

Please consult [page 7](#) for the palette of DatesWeiser finishes. Natural stone, non-standard glass and veneer, and other technology options are available. Please email customerservice@datesweiser.com for a custom quote. Consult technical information on [page 277](#) for construction details and technical information.

Highline Rectangular Conference Table

60"x144"/ 12 Person

02R60X144



Starting Price: **\$21,565**

60x144 table, veneer Tier 1 top with metal edge, open base, powder coat metal finish

Base Pattern Number: 02R60X144

Step 1. Top Material

V	Veneer
G	Glass
C	Corian
Q	Caesarstone

Step 2. Edge Selection

N __	No Edge
L __	Leather Edge
M __	Metal Edge

Step 3. Base Type

BL	Base Loop	+0
-----------	-----------	----

Step 4. Edge Finish

N __	No Edge	+0
AU __	Spinneybeck Leather: Acqua	+3,434
MC __	Powder Coat	+0
PM01	Polished Chrome	+1,525
PM02	Satin Nickel	+1,525
PM03	Oil Rubbed Bronze	+1,525

Step 5. Top Finish

T1 __	Veneer Tier 1	+0
T2 __	Veneer Tier 2	+1,621
GC __	Clear Glass, back painted	+8,181
GE __	Etched matte Glass, back painted	+9,649
CS01	Corian Glacier White	+10,216
QS __	Caesarstone	Contact Rep.

Step 6. Base Finish

MC __	Powder Coat	+0
PM01	Polished Chrome	+539
PM02	Satin Nickel	+539
PM03	Oil Rubbed Bronze	+1,859

Step 7. Microphone and/or Grommet Accommodations: Optional

MA __	Microphone hole (factory cut)	Qty __ x 377 each
GM __	2" Grommet Hole (factory cut), liner, lid, in matching metal finish	Qty __ x 496 each

Step 8. Power & Connectivity Access: Optional

TMHW	Tabletop, Metal lid, Hardwired, Qty 3	+16,758
TMPI	Tabletop, Metal lid, Plug In, Qty 3	+14,799
TMLK	Tabletop, Metal lid, Linkable, Qty 3	+14,799
UMHW	Undermount, Hardwired, Qty 6	+7,182
UMPI	Undermount, Plug In, Qty 6	+5,220
UMLK	Undermount, Linkable, Qty 6	+5,220
SOHW	Undermount Slide-out, Hardwired, Qty 6	+12,510
SOPI	Undermount Slide-out, Plug In, Qty 6	+10,614
SOLK	Undermount Slide-out, Linkable, Qty 6	+10,614

Wire Management Column (sold separately)

Required with any technology selection

Pattern Number: 02WMC6X6	+266
Pattern Number: 02WMC10X10	+1038

Step 1. Metal Finish for Wire Management Column

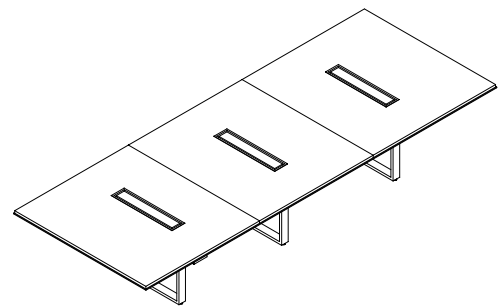
	6x6	10x10
MC __	Powder Coat	+0 +0
PM01	Polished Chrome	+1,252 +571
PM02	Satin Nickel	+1,252 +571
PM03	Oil Rubbed Bronze	+1,874 +2,607

Please consult [page 7](#) for the palette of DatesWeiser finishes. Natural stone, non-standard glass and veneer, and other technology options are available. Please email customerservice@datesweiser.com for a custom quote. Consult technical information on [page 277](#) for construction details and technical information.

Highline Rectangular Conference Table

60"x156"/ 12 Person

02R60X156



Starting Price: **\$22,451**

60x156 table, veneer Tier 1 top with metal edge, open base, powder coat metal finish

Base Pattern Number: 02R60X156

Step 1. Top Material

V	Veneer
G	Glass
C	Corian
Q	Caesarstone

Step 2. Edge Selection

N __	No Edge
L __	Leather Edge
M __	Metal Edge

Step 3. Base Type

BL	Base Loop	+0
-----------	-----------	----

Step 4. Edge Finish

N __	No Edge	+0
AU __	Spinneybeck Leather: Acqua	+3,636
MC __	Powder Coat	+0
PM01	Polished Chrome	+1,525
PM02	Satin Nickel	+1,525
PM03	Oil Rubbed Bronze	+1,525

Step 5. Top Finish

T1 __	Veneer Tier 1	+0
T2 __	Veneer Tier 2	+1,755
GC __	Clear Glass, back painted	+8,824
GE __	Etched matte Glass, back painted	+10,415
CS01	Corian Glacier White	+11,067
QS __	Caesarstone	Contact Rep.

Step 6. Base Finish

MC __	Powder Coat	+0
PM01	Polished Chrome	+539
PM02	Satin Nickel	+539
PM03	Oil Rubbed Bronze	+1,859

Step 7. Microphone and/or Grommet Accommodations: Optional

MA __	Microphone hole (factory cut)	Qty __ x 377 each
GM __	2" Grommet Hole (factory cut), liner, lid, in matching metal finish	Qty __ x 496 each

Step 8. Power & Connectivity Access: Optional

TMHW	Tabletop, Metal lid, Hardwired, Qty 3	+16,758
TMPI	Tabletop, Metal lid, Plug In, Qty 3	+14,799
TMLK	Tabletop, Metal lid, Linkable, Qty 3	+14,799
UMHW	Undermount, Hardwired, Qty 6	+7,182
UMPI	Undermount, Plug In, Qty 6	+5,220
UMLK	Undermount, Linkable, Qty 6	+5,220
SOHW	Undermount Slide-out, Hardwired, Qty 6	+12,510
SOPI	Undermount Slide-out, Plug In, Qty 6	+10,614
SOLK	Undermount Slide-out, Linkable, Qty 6	+10,614

Wire Management Column (sold separately)

Required with any technology selection

Pattern Number: 02WMC6X6	+266
Pattern Number: 02WMC10X10	+1038

Step 1. Metal Finish for Wire Management Column

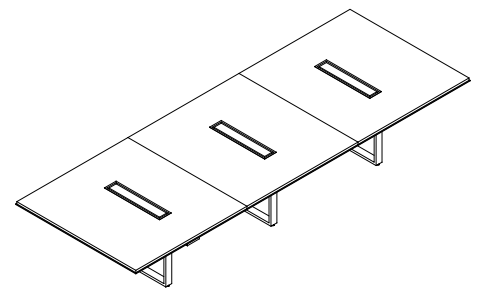
	6x6	10x10
MC __	Powder Coat	+0 +0
PM01	Polished Chrome	+1,252 +571
PM02	Satin Nickel	+1,252 +571
PM03	Oil Rubbed Bronze	+1,874 +2,607

Please consult [page 7](#) for the palette of DatesWeiser finishes. Natural stone, non-standard glass and veneer, and other technology options are available. Please email customerservice@datesweiser.com for a custom quote. Consult technical information on [page 277](#) for construction details and technical information.

Highline Rectangular Conference Table

60"x168"/ 14 Person

02R60X168



Starting Price: **\$23,905**

60x168 table, veneer Tier 1 top with metal edge, open base, powder coat metal finish

Base Pattern Number: 02R60X168

Step 1. Top Material

V	Veneer
G	Glass
C	Corian
Q	Caesarstone

Step 2. Edge Selection

N __	No Edge
L __	Leather Edge
M __	Metal Edge

Step 3. Base Type

BL	Base Loop	+0
-----------	-----------	----

Step 4. Edge Finish

N __	No Edge	+0
AU __	Spinneybeck Leather: Acqua	+3,837
MC __	Powder Coat	+0
PM01	Polished Chrome	+2,255
PM02	Satin Nickel	+2,255
PM03	Oil Rubbed Bronze	+2,255

Step 5. Top Finish

T1 __	Veneer Tier 1	+0
T2 __	Veneer Tier 2	+1,889
GC __	Clear Glass, back painted	+9,490
GE __	Etched matte Glass, back painted	+11,203
CS01	Corian Glacier White	+11,917
QS __	Caesarstone	Contact Rep.

Step 6. Base Finish

MC __	Powder Coat	+0
PM01	Polished Chrome	+539
PM02	Satin Nickel	+539
PM03	Oil Rubbed Bronze	+1,859

Step 7. Microphone and/or Grommet Accommodations: Optional

MA __	Microphone hole (factory cut)	Qty __ x 377 each
GM __	2" Grommet Hole (factory cut), liner, lid, in matching metal finish	Qty __ x 496 each

Step 8. Power & Connectivity Access: Optional

TMHW	Tabletop, Metal lid, Hardwired, Qty 3	+16,758
TMPI	Tabletop, Metal lid, Plug In, Qty 3	+14,799
TMLK	Tabletop, Metal lid, Linkable, Qty 3	+14,799
UMHW	Undermount, Hardwired, Qty 6	+7,182
UMPI	Undermount, Plug In, Qty 6	+5,220
UMLK	Undermount, Linkable, Qty 6	+5,220
SOHW	Undermount Slide-out, Hardwired, Qty 6	+12,510
SOPI	Undermount Slide-out, Plug In, Qty 6	+10,614
SOLK	Undermount Slide-out, Linkable, Qty 6	+10,614

Wire Management Column (sold separately)

Required with any technology selection

Pattern Number: 02WMC6X6	+266
Pattern Number: 02WMC10X10	+1038

Step 1. Metal Finish for Wire Management Column

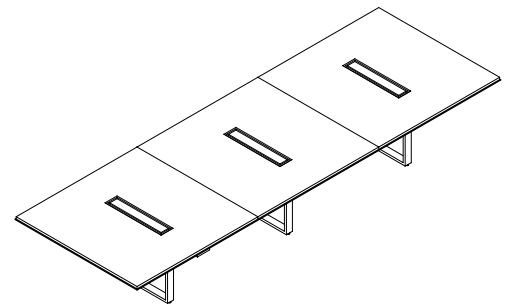
	6x6	10x10
MC __	Powder Coat	+0 +0
PM01	Polished Chrome	+1,252 +571
PM02	Satin Nickel	+1,252 +571
PM03	Oil Rubbed Bronze	+1,874 +2,607

Please consult [page 7](#) for the palette of DatesWeiser finishes. Natural stone, non-standard glass and veneer, and other technology options are available. Please email customerservice@datesweiser.com for a custom quote. Consult technical information on [page 277](#) for construction details and technical information.

Highline Rectangular Conference Table

60"x180"/ 16 Person

02R60X180



Starting Price: **\$24,889**

60x180 table, veneer Tier 1 top with metal edge, open base, powder coat metal finish

Base Pattern Number: 02R60X180

Step 1. Top Material

V	Veneer
G	Glass
C	Corian
Q	Caesarstone

Step 2. Edge Selection

N __	No Edge
L __	Leather Edge
M __	Metal Edge

Step 3. Base Type

BL	Base Loop	+0
-----------	-----------	----

Step 4. Edge Finish

N __	No Edge	+0
AU __	Spinneybeck Leather: Acqua	+4,040
MC __	Powder Coat	+0
PM01	Polished Chrome	+2,255
PM02	Satin Nickel	+2,255
PM03	Oil Rubbed Bronze	+2,255

Step 5. Top Finish

T1 __	Veneer Tier 1	+0
T2 __	Veneer Tier 2	+2,025
GC __	Clear Glass, back painted	+10,138
GE __	Etched matte Glass, back painted	+11,973
CS01	Corian Glacier White	+12,769
QS __	Caesarstone*	Contact Rep.

Step 6. Base Finish

MC __	Powder Coat	+0
PM01	Polished Chrome	+539
PM02	Satin Nickel	+539
PM03	Oil Rubbed Bronze	+1,859

Step 7. Microphone and/or Grommet Accommodations: Optional

MA __	Microphone hole (factory cut)	Qty __ x 377 each
GM __	2" Grommet Hole (factory cut), liner, lid, in matching metal finish	Qty __ x 496 each

Step 8. Power & Connectivity Access: Optional

TMHW	Tabletop, Metal lid, Hardwired, Qty 3	+16,758
TMPI	Tabletop, Metal lid, Plug In, Qty 3	+14,799
TMLK	Tabletop, Metal lid, Linkable, Qty 3	+14,799
UMHW	Undermount, Hardwired, Qty 8	+9,576
UMPI	Undermount, Plug In, Qty 8	+6,960
UMLK	Undermount, Linkable, Qty 8	+6,960
SOHW	Undermount Slide-out, Hardwired, Qty 8	+16,680
SOPI	Undermount Slide-out, Plug In, Qty 8	+14,152
SOLK	Undermount Slide-out, Linkable, Qty 8	+14,152

Wire Management Column (sold separately)

Required with any technology selection

Pattern Number: 02WMC6X6	+266
Pattern Number: 02WMC10X10	+1038

Step 1. Metal Finish for Wire Management Column

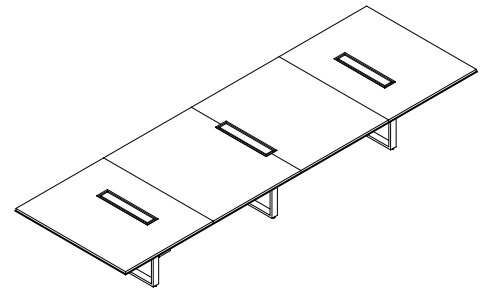
	6x6	10x10
MC __	Powder Coat	+0 +0
PM01	Polished Chrome	+1,252 +571
PM02	Satin Nickel	+1,252 +571
PM03	Oil Rubbed Bronze	+1,874 +2,607

Please consult [page 7](#) for the palette of DatesWeiser finishes. Natural stone, non-standard glass and veneer, and other technology options are available. Please email customerservice@datesweiser.com for a custom quote. Consult technical information on [page 277](#) for construction details and technical information.

Highline Rectangular Conference Table

60"x192"/ 16 Person

02R60X192



Starting Price: **\$26,026**

60x192 table, veneer Tier 1 top with metal edge, open base, powder coat metal finish

Base Pattern Number: 02R60X192

Step 1. Top Material

V	Veneer
G	Glass
C	Corian
Q	Caesarstone

Step 2. Edge Selection

N __	No Edge
L __	Leather Edge
M __	Metal Edge

Step 3. Base Type

BL	Base Loop	+0
-----------	-----------	----

Step 4. Edge Finish

N __	No Edge	+0
AU __	Spinneybeck Leather: Acqua	+4,242
MC __	Powder Coat	+0
PM01	Polished Chrome	+2,255
PM02	Satin Nickel	+2,255
PM03	Oil Rubbed Bronze	+2,255

Step 5. Top Finish

T1 __	Veneer Tier 1	+0
T2 __	Veneer Tier 2	+2,160
GC __	Clear Glass, back painted	+10,793
GE __	Etched matte Glass, back painted	+12,751
CS01	Corian Glacier White	+13,621
QS __	Caesarstone	Contact Rep.

Step 6. Base Finish

MC __	Powder Coat	+0
PM01	Polished Chrome	+539
PM02	Satin Nickel	+539
PM03	Oil Rubbed Bronze	+1,859

Step 7. Microphone and/or Grommet Accommodations: Optional

MA __	Microphone hole (factory cut)	Qty __ x 377 each
GM __	2" Grommet Hole (factory cut), liner, lid, in matching metal finish	Qty __ x 496 each

Step 8. Power & Connectivity Access: Optional

TMHW	Tabletop, Metal lid, Hardwired, Qty 3	+16,758
TMPI	Tabletop, Metal lid, Plug In, Qty 3	+14,799
TMLK	Tabletop, Metal lid, Linkable, Qty 3	+14,799
UMHW	Undermount, Hardwired, Qty 8	+9,576
UMPI	Undermount, Plug In, Qty 8	+6,960
UMLK	Undermount, Linkable, Qty 8	+6,960
SOHW	Undermount Slide-out, Hardwired, Qty 8	+16,680
SOPI	Undermount Slide-out, Plug In, Qty 8	+14,152
SOLK	Undermount Slide-out, Linkable, Qty 8	+14,152

Wire Management Column (sold separately)

Required with any technology selection

Pattern Number: 02WMC6X6	+266
Pattern Number: 02WMC10X10	+1038

Step 1. Metal Finish for Wire Management Column

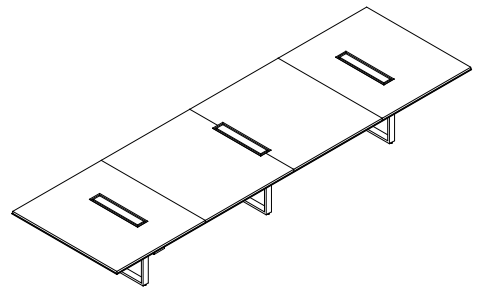
	6x6	10x10
MC __	Powder Coat	+0 +0
PM01	Polished Chrome	+1,252 +571
PM02	Satin Nickel	+1,252 +571
PM03	Oil Rubbed Bronze	+1,874 +2,607

Please consult [page 7](#) for the palette of DatesWeiser finishes. Natural stone, non-standard glass and veneer, and other technology options are available. Please email customerservice@datesweiser.com for a custom quote. Consult technical information on [page 277](#) for construction details and technical information.

Highline Rectangular Conference Table

60"x204"/ 16 Person

02R60X204



Starting Price: **\$27,145**

60x204 table, veneer Tier 1 top with metal edge, open base, powder coat metal finish

Base Pattern Number: 02R60X204

Step 1. Top Material

V	Veneer
G	Glass
C	Corian
Q	Caesarstone

Step 2. Edge Selection

N __	No Edge
L __	Leather Edge
M __	Metal Edge

Step 3. Base Type

BL	Base Loop	+0
-----------	-----------	----

Step 4. Edge Finish

N __	No Edge	+0
AU __	Spinneybeck Leather: Acqua	+4,443
MC __	Powder Coat	+0
PM01	Polished Chrome	+2,255
PM02	Satin Nickel	+2,255
PM03	Oil Rubbed Bronze	+2,255

Step 5. Top Finish

T1 __	Veneer Tier 1	+0
T2 __	Veneer Tier 2	+2,295
GC __	Clear Glass, back painted	+11,445
GE __	Etched matte Glass, back painted	+13,525
CS01	Corian Glacier White	+14,471
QS __	Caesarstone	Contact Rep.

Step 6. Base Finish

MC __	Powder Coat	+0
PM01	Polished Chrome	+539
PM02	Satin Nickel	+539
PM03	Oil Rubbed Bronze	+1,859

Step 7. Microphone and/or Grommet Accommodations: Optional

MA __	Microphone hole (factory cut)	Qty __ x 377 each
GM __	2" Grommet Hole (factory cut), liner, lid, in matching metal finish	Qty __ x 496 each

Step 8. Power & Connectivity Access: Optional

TMHW	Tabletop, Metal lid, Hardwired, Qty 3	+16,758
TMPI	Tabletop, Metal lid, Plug In, Qty 3	+14,799
TMLK	Tabletop, Metal lid, Linkable, Qty 3	+14,799
UMHW	Undermount, Hardwired, Qty 8	+9,576
UMPI	Undermount, Plug In, Qty 8	+6,960
UMLK	Undermount, Linkable, Qty 8	+6,960
SOHW	Undermount Slide-out, Hardwired, Qty 8	+16,680
SOPI	Undermount Slide-out, Plug In, Qty 8	+14,152
SOLK	Undermount Slide-out, Linkable, Qty 8	+14,152

Wire Management Column (sold separately)

Required with any technology selection

Pattern Number: 02WMC6X6	+266
Pattern Number: 02WMC10X10	+1038

Step 1. Metal Finish for Wire Management Column

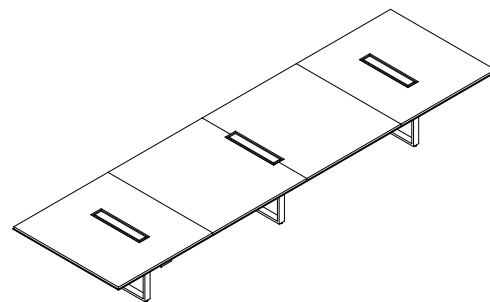
		6x6	10x10
MC __	Powder Coat	+0	+0
PM01	Polished Chrome	+1,252	+571
PM02	Satin Nickel	+1,252	+571
PM03	Oil Rubbed Bronze	+1,874	+2,607

Please consult [page 7](#) for the palette of DatesWeiser finishes. Natural stone, non-standard glass and veneer, and other technology options are available. Please email customerservice@datesweiser.com for a custom quote. Consult technical information on [page 277](#) for construction details and technical information.

Highline Rectangular Conference Table

60"x216"/ 18 Person

02R60X216



Starting Price: **\$28,106**

60x216 table, veneer Tier 1 top with metal edge, open base, powder coat metal finish

Base Pattern Number: 02R60X216

Step 1. Top Material

V	Veneer
G	Glass
C	Corian
Q	Caesarstone

Step 2. Edge Selection

N __	No Edge
L __	Leather Edge
M __	Metal Edge

Step 3. Base Type

BL	Base Loop	+0
-----------	-----------	----

Step 4. Edge Finish

N __	No Edge	+0
AU __	Spinneybeck Leather: Acqua	+4,646
MC __	Powder Coat	+0
PM01	Polished Chrome	+2,255
PM02	Satin Nickel	+2,255
PM03	Oil Rubbed Bronze	+2,255

Step 5. Top Finish

T1 __	Veneer Tier 1	+0
T2 __	Veneer Tier 2	+2,430
GC __	Clear Glass, back painted	+12,090
GE __	Etched matte Glass, back painted	+14,294
CS01	Corian Glacier White	+15,323
QS __	Caesarstone	Contact Rep.

Step 6. Base Finish

MC __	Powder Coat	+0
PM01	Polished Chrome	+539
PM02	Satin Nickel	+539
PM03	Oil Rubbed Bronze	+1,859

Step 7. Microphone and/or Grommet Accommodations: Optional

MA __	Microphone hole (factory cut)	Qty __ x 377 each
GM __	2" Grommet Hole (factory cut), liner, lid, in matching metal finish	Qty __ x 496 each

Step 8. Power & Connectivity Access: Optional

TMHW	Tabletop, Metal lid, Hardwired, Qty 3	+16,758
TMPI	Tabletop, Metal lid, Plug In, Qty 3	+14,799
TMLK	Tabletop, Metal lid, Linkable, Qty 3	+14,799
UMHW	Undermount, Hardwired, Qty 8	+9,576
UMPI	Undermount, Plug In, Qty 8	+6,960
UMLK	Undermount, Linkable, Qty 8	+6,960
SOHW	Undermount Slide-out, Hardwired, Qty 8	+16,680
SOPI	Undermount Slide-out, Plug In, Qty 8	+14,152
SOLK	Undermount Slide-out, Linkable, Qty 8	+14,152

Wire Management Column (sold separately)

Required with any technology selection

Pattern Number: 02WMC6X6	+266
Pattern Number: 02WMC10X10	+1038

Step 1. Metal Finish for Wire Management Column

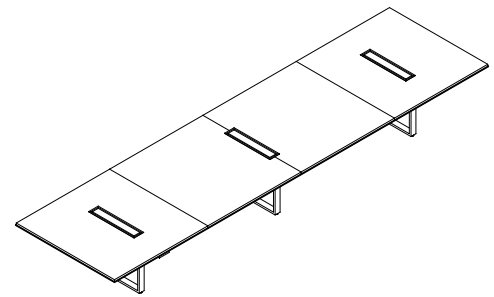
	6x6	10x10
MC __	Powder Coat	+0 +0
PM01	Polished Chrome	+1,252 +571
PM02	Satin Nickel	+1,252 +571
PM03	Oil Rubbed Bronze	+1,874 +2,607

Please consult [page 7](#) for the palette of DatesWeiser finishes. Natural stone, non-standard glass and veneer, and other technology options are available. Please email customerservice@datesweiser.com for a custom quote. Consult technical information on [page 277](#) for construction details and technical information.

Highline Rectangular Conference Table

60"x228" / 18 Person

02R60X228



Starting Price: **\$29,129**

60x228 table, veneer Tier 1 top with metal edge, open base, powder coat metal finish

Base Pattern Number: 02R60X228

Step 1. Top Material

V	Veneer
G	Glass
C	Corian
Q	Caesarstone

Step 2. Edge Selection

N __	No Edge
L __	Leather Edge
M __	Metal Edge

Step 3. Base Type

BL	Base Loop	+0
-----------	-----------	----

Step 4. Edge Finish

N __	No Edge	+0
AU __	Spinneybeck Leather: Acqua	+4,847
MC __	Powder Coat	+0
PM01	Polished Chrome	+2,255
PM02	Satin Nickel	+2,255
PM03	Oil Rubbed Bronze	+2,255

Step 5. Top Finish

T1 __	Veneer Tier 1	+0
T2 __	Veneer Tier 2	+2,566
GC __	Clear Glass, back painted	+12,741
GE __	Etched matte Glass, back painted	+15,067
CS01	Corian Glacier White	+16,175
QS __	Caesarstone*	Contact Rep.

Step 6. Base Finish

MC __	Powder Coat	+0
PM01	Polished Chrome	+539
PM02	Satin Nickel	+539
PM03	Oil Rubbed Bronze	+1,859

Step 7. Microphone and/or Grommet Accommodations: Optional

MA __	Microphone hole (factory cut)	Qty __ x 377 each
GM __	2" Grommet Hole (factory cut), liner, lid, in matching metal finish	Qty __ x 496 each

Step 8. Power & Connectivity Access: Optional

TMHW	Tabletop, Metal lid, Hardwired, Qty 3	+16,758
TMPI	Tabletop, Metal lid, Plug In, Qty 3	+14,799
TMLK	Tabletop, Metal lid, Linkable, Qty 3	+14,799
UMHW	Undermount, Hardwired, Qty 8	+9,576
UMPI	Undermount, Plug In, Qty 8	+6,960
UMLK	Undermount, Linkable, Qty 8	+6,960
SOHW	Undermount Slide-out, Hardwired, Qty 8	+16,680
SOPI	Undermount Slide-out, Plug In, Qty 8	+14,152
SOLK	Undermount Slide-out, Linkable, Qty 8	+14,152

Wire Management Column (sold separately)

Required with any technology selection

Pattern Number: 02WMC6X6	+266
Pattern Number: 02WMC10X10	+1038

Step 1. Metal Finish for Wire Management Column

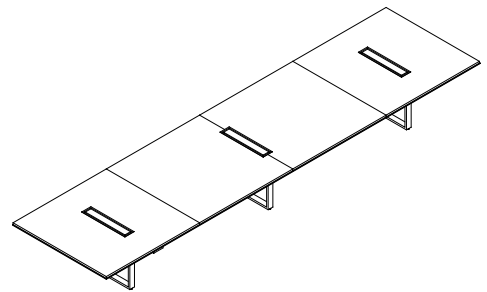
	6x6	10x10
MC __	Powder Coat	+0 +0
PM01	Polished Chrome	+1,252 +571
PM02	Satin Nickel	+1,252 +571
PM03	Oil Rubbed Bronze	+1,874 +2,607

Please consult [page 7](#) for the palette of DatesWeiser finishes. Natural stone, non-standard glass and veneer, and other technology options are available. Please email customerservice@datesweiser.com for a custom quote. Consult technical information on [page 277](#) for construction details and technical information.

Highline Rectangular Conference Table

60"x240"/ 20 Person

02R60X240



Starting Price: **\$30,179**

60x240 table, veneer Tier 1 top with metal edge, open base, powder coat metal finish

Base Pattern Number: 02R60X240

Step 1. Top Material

V	Veneer
G	Glass
C	Corian
Q	Caesarstone

Step 2. Edge Selection

N __	No Edge
L __	Leather Edge
M __	Metal Edge

Step 3. Base Type

BL	Base Loop	+0
-----------	-----------	----

Step 4. Edge Finish

N __	No Edge	+0
AU __	Spinneybeck Leather: Acqua	+5,049
MC __	Powder Coat	+0
PM01	Polished Chrome	+2,255
PM02	Satin Nickel	+2,255
PM03	Oil Rubbed Bronze	+2,255

Step 5. Top Finish

T1 __	Veneer Tier 1	+0
T2 __	Veneer Tier 2	+2,701
GC __	Clear Glass, back painted	+13,391
GE __	Etched matte Glass, back painted	+15,838
CS01	Corian Glacier White	+17,026
QS __	Caesarstone*	Contact Rep.

Step 6. Base Finish

MC __	Powder Coat	+0
PM01	Polished Chrome	+539
PM02	Satin Nickel	+539
PM03	Oil Rubbed Bronze	+1,859

Step 7. Microphone and/or Grommet Accommodations: Optional

MA __	Microphone hole (factory cut)	Qty __ x 377 each
GM __	2" Grommet Hole (factory cut), liner, lid, in matching metal finish	Qty __ x 496 each

Step 8. Power & Connectivity Access: Optional

TMHW	Tabletop, Metal lid, Hardwired, Qty 3	+16,758
TMPI	Tabletop, Metal lid, Plug In, Qty 3	+14,799
TMLK	Tabletop, Metal lid, Linkable, Qty 3	+14,799
UMHW	Undermount, Hardwired, Qty 10	+11,970
UMPI	Undermount, Plug In, Qty 10	+8,700
UMLK	Undermount, Linkable, Qty 10	+8,700
SOHW	Undermount Slide-out, Hardwired, Qty 10	+20,850
SOPI	Undermount Slide-out, Plug In, Qty 10	+17,690
SOLK	Undermount Slide-out, Linkable, Qty 10	+17,690

Wire Management Column (sold separately)

Required with any technology selection

Pattern Number: 02WMC6X6	+266
Pattern Number: 02WMC10X10	+1038

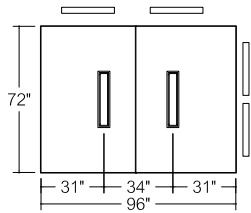
Step 1. Metal Finish for Wire Management Column

		6x6	10x10
MC __	Powder Coat	+0	+0
PM01	Polished Chrome	+1,252	+571
PM02	Satin Nickel	+1,252	+571
PM03	Oil Rubbed Bronze	+1,874	+2,607

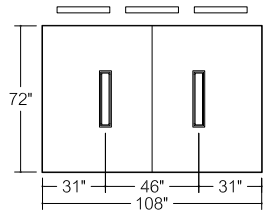
Please consult [page 7](#) for the palette of DatesWeiser finishes. Natural stone, non-standard glass and veneer, and other technology options are available. Please email customerservice@datesweiser.com for a custom quote. Consult technical information on [page 277](#) for construction details and technical information.

Highline Rectangular Conference Tables Index

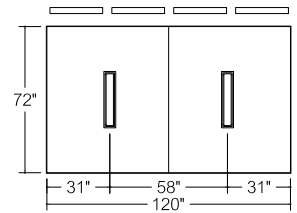
72" width



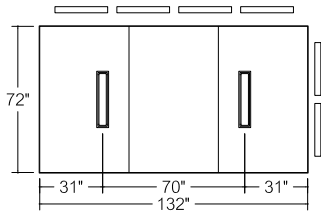
02R72X96
8 Person Table



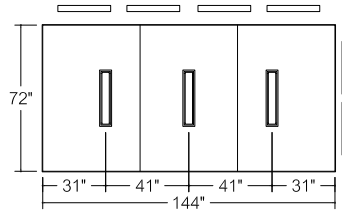
02R72X108
10 Person Table



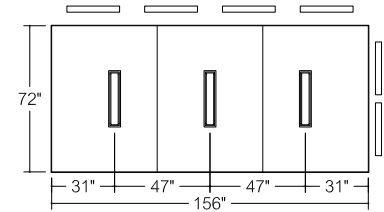
02R72X120
12 Person Table



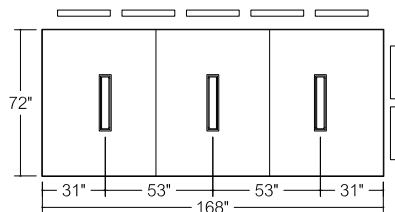
02R72X132
12 Person Table



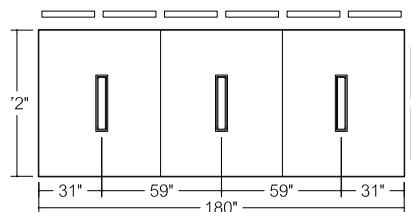
02R72X144
12 Person Table



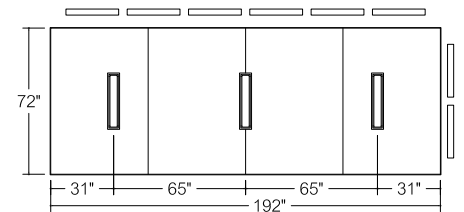
02R72X156
12 Person Table



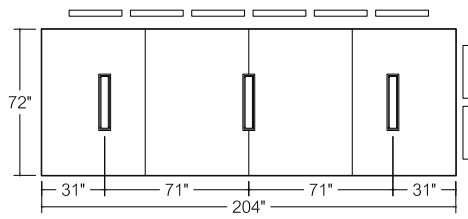
02R72X168
14 Person Table



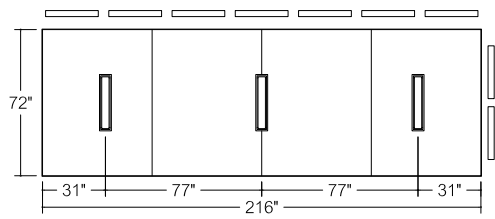
02R72X180
16 Person Table



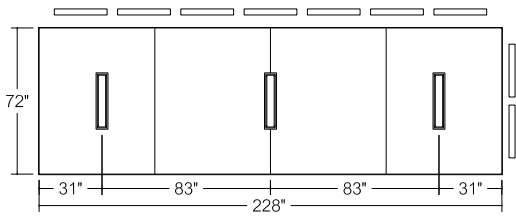
02R72X192
16 Person Table



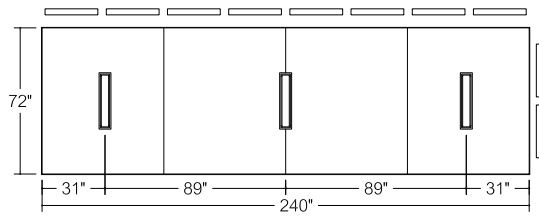
02R72X204
16 Person Table



02R72X216
18 Person Table



02R72X228
18 Person Table

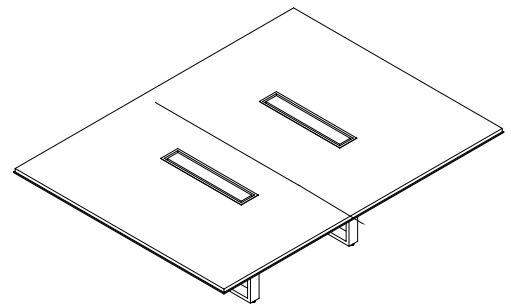


02R72X240
20 Person Table

Highline Rectangular Conference Table

72"x96"/ 8 Person

02R72X96



Starting Price: **\$16,711**

72x96 table, veneer Tier 1 top with metal edge, open base, powder coat metal finish

Base Pattern Number: 02R72X96

Step 1. Top Material

V	Veneer
G	Glass
C	Corian
Q	Caesarstone

Step 2. Edge Selection

N __	No Edge
L __	Leather Edge
M __	Metal Edge

Step 3. Base Type

BL	Base Loop	+0
-----------	-----------	----

Step 4. Edge Finish

N __	No Edge	+0
AU __	Spinneybeck Leather: Acqua	+2,827
MC __	Powder Coat	+0
PM01	Polished Chrome	+1,439
PM02	Satin Nickel	+1,439
PM03	Oil Rubbed Bronze	+1,439

Step 5. Top Finish

T1 __	Veneer Tier 1	+0
T2 __	Veneer Tier 2	+1,296
GC __	Clear Glass, back painted	+6,521
GE __	Etched matte Glass, back painted	+7,696
CS01	Corian Glacier White	+8,173
QS __	Caesarstone	Contact Rep.

Step 6. Base Finish

MC __	Powder Coat	+0
PM01	Polished Chrome	+359
PM02	Satin Nickel	+359
PM03	Oil Rubbed Bronze	+1,240

Step 7. Microphone and/or Grommet Accommodations: Optional

MA __	Microphone hole (factory cut)	Qty __ x 377 each
GM __	2" Grommet Hole (factory cut), liner, lid, in matching metal finish	Qty __ x 496 each

Step 8. Power & Connectivity Access: Optional

TMHW	Tabletop, Metal lid, Hardwired, Qty 2	+11,172
TMPI	Tabletop, Metal lid, Plug In, Qty 2	+9,866
TMLK	Tabletop, Metal lid, Linkable, Qty 2	+9,866
UMHW	Undermount, Hardwired, Qty 4	+4,788
UMPI	Undermount, Plug In, Qty 4	+3,480
UMLK	Undermount, Linkable, Qty 4	+3,480
SOHW	Undermount Slide-out, Hardwired, Qty 4	+8,340
SOPI	Undermount Slide-out, Plug In, Qty 4	+7,076
SOLK	Undermount Slide-out, Linkable, Qty 4	+7,076

Wire Management Column (sold separately)

Required with any technology selection

Pattern Number: 02WMC6X6	+266
Pattern Number: 02WMC10X10	+1038

Step 1. Metal Finish for Wire Management Column

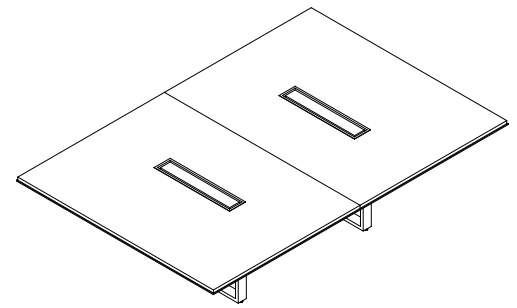
	6x6	10x10
MC __	Powder Coat	+0 +0
PM01	Polished Chrome	+1,252 +571
PM02	Satin Nickel	+1,252 +571
PM03	Oil Rubbed Bronze	+1,874 +2,607

Please consult [page 7](#) for the palette of DatesWeiser finishes. Natural stone, non-standard glass and veneer, and other technology options are available. Please email customerservice@datesweiser.com for a custom quote. Consult technical information on [page 277](#) for construction details and technical information.

Highline Rectangular Conference Table

72"x108"/ 10 Person

02R72X108



Starting Price: \$18,019

72x108 table, veneer Tier 1 top with metal edge, open base, powder coat metal finish

Base Pattern Number: 02R72X108

Step 1. Top Material

V	Veneer
G	Glass
C	Corian
Q	Caesarstone

Step 2. Edge Selection

N __	No Edge
L __	Leather Edge
M __	Metal Edge

Step 3. Base Type

BL	Base Loop	+0
-----------	-----------	----

Step 4. Edge Finish

N __	No Edge	+0
AU __	Spinneybeck Leather: Acqua	+3,029
MC __	Powder Coat	+0
PM01	Polished Chrome	+1,439
PM02	Satin Nickel	+1,439
PM03	Oil Rubbed Bronze	+1,439

Step 5. Top Finish

T1 __	Veneer Tier 1	+0
T2 __	Veneer Tier 2	+1,458
GC __	Clear Glass, back painted	+7,303
GE __	Etched matte Glass, back painted	+8,625
CS01	Corian Glacier White	+9,194
QS __	Caesarstone	Contact Rep.

Step 6. Base Finish

MC __	Powder Coat	+0
PM01	Polished Chrome	+359
PM02	Satin Nickel	+359
PM03	Oil Rubbed Bronze	+1,240

Step 7. Microphone and/or Grommet Accommodations: Optional

MA __	Microphone hole (factory cut)	Qty __ x 377 each
GM __	2" Grommet Hole (factory cut), liner, lid, in matching metal finish	Qty __ x 496 each

Step 8. Power & Connectivity Access: Optional

TMHW	Tabletop, Metal lid, Hardwired, Qty 2	+11,172
TMPI	Tabletop, Metal lid, Plug In, Qty 2	+9,866
TMLK	Tabletop, Metal lid, Linkable, Qty 2	+9,866
UMHW	Undermount, Hardwired, Qty 4	+4,788
UMPI	Undermount, Plug In, Qty 4	+3,480
UMLK	Undermount, Linkable, Qty 4	+3,480
SOHW	Undermount Slide-out, Hardwired, Qty 4	+8,340
SOPI	Undermount Slide-out, Plug In, Qty 4	+7,076
SOLK	Undermount Slide-out, Linkable, Qty 4	+7,076

Wire Management Column (sold separately)

Required with any technology selection

Pattern Number: 02WMC6X6	+266
Pattern Number: 02WMC10X10	+1038

Step 1. Metal Finish for Wire Management Column

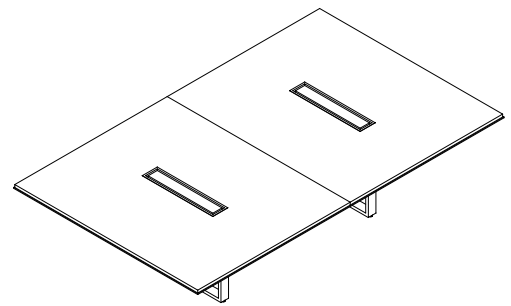
	6x6	10x10
MC __	Powder Coat	+0
PM01	Polished Chrome	+1,252
PM02	Satin Nickel	+1,252
PM03	Oil Rubbed Bronze	+1,874

Please consult [page 7](#) for the palette of DatesWeiser finishes. Natural stone, non-standard glass and veneer, and other technology options are available. Please email customerservice@datesweiser.com for a custom quote. Consult technical information on [page 277](#) for construction details and technical information.

Highline Rectangular Conference Table

72"x120"/ 12 Person

02R72X120



Starting Price: **\$19,262**

72x120 table, veneer Tier 1 top with metal edge, open base, powder coat metal finish

Base Pattern Number: 02R72X120

Step 1. Top Material

V	Veneer
G	Glass
C	Corian
Q	Caesarstone

Step 2. Edge Selection

N __	No Edge
L __	Leather Edge
M __	Metal Edge

Step 3. Base Type

BL	Base Loop	+0
-----------	-----------	----

Step 4. Edge Finish

N __	No Edge	+0
AU __	Spinneybeck Leather: Acqua	+3,232
MC __	Powder Coat	+0
PM01	Polished Chrome	+1,439
PM02	Satin Nickel	+1,439
PM03	Oil Rubbed Bronze	+1,439

Step 5. Top Finish

T1 __	Veneer Tier 1	+0
T2 __	Veneer Tier 2	+1,621
GC __	Clear Glass, back painted	+8,083
GE __	Etched matte Glass, back painted	+9,551
CS01	Corian Glacier White	+10,215
QS __	Caesarstone	Contact Rep.

Step 6. Base Finish

MC __	Powder Coat	+0
PM01	Polished Chrome	+359
PM02	Satin Nickel	+359
PM03	Oil Rubbed Bronze	+1,240

Step 7. Microphone and/or Grommet Accommodations: Optional

MA __	Microphone hole (factory cut)	Qty __ x 377 each
GM __	2" Grommet Hole (factory cut), liner, lid, in matching metal finish	Qty __ x 496 each

Step 8. Power & Connectivity Access: Optional

TMHW	Tabletop, Metal lid, Hardwired, Qty 2	+11,172
TMPI	Tabletop, Metal lid, Plug In, Qty 2	+9,866
TMLK	Tabletop, Metal lid, Linkable, Qty 2	+9,866
UMHW	Undermount, Hardwired, Qty 6	+7,182
UMPI	Undermount, Plug In, Qty 6	+5,220
UMLK	Undermount, Linkable, Qty 6	+5,220
SOHW	Undermount Slide-out, Hardwired, Qty 6	+12,510
SOPI	Undermount Slide-out, Plug In, Qty 6	+10,614
SOLK	Undermount Slide-out, Linkable, Qty 6	+10,614

Wire Management Column (sold separately)

Required with any technology selection

Pattern Number: 02WMC6X6	+266
Pattern Number: 02WMC10X10	+1038

Step 1. Metal Finish for Wire Management Column

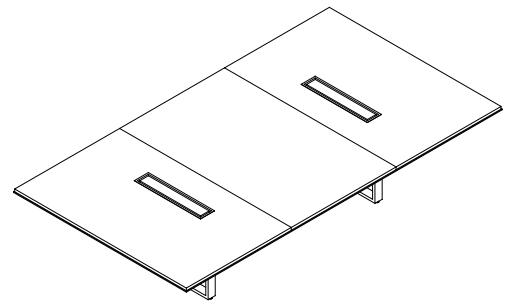
	6x6	10x10
MC __	Powder Coat	+0 +0
PM01	Polished Chrome	+1,252 +571
PM02	Satin Nickel	+1,252 +571
PM03	Oil Rubbed Bronze	+1,874 +2,607

Please consult [page 7](#) for the palette of DatesWeiser finishes. Natural stone, non-standard glass and veneer, and other technology options are available. Please email customerservice@datesweiser.com for a custom quote. Consult technical information on [page 277](#) for construction details and technical information.

Highline Rectangular Conference Table

72"x132" / 12 Person

02R72X132



Starting Price: **\$22,363**

72x132 table, veneer Tier 1 top with metal edge, open base, powder coat metal finish

Base Pattern Number: 02R72X132

Step 1. Top Material

V	Veneer
G	Glass
C	Corian
Q	Caesarstone

Step 2. Edge Selection

N __	No Edge
L __	Leather Edge
M __	Metal Edge

Step 3. Base Type

BL	Base Loop	+0
-----------	-----------	----

Step 4. Edge Finish

N __	No Edge	+0
AU __	Spinneybeck Leather: Acqua	+3,434
MC __	Powder Coat	+0
PM01	Polished Chrome	+1,525
PM02	Satin Nickel	+1,525
PM03	Oil Rubbed Bronze	+1,525

Step 5. Top Finish

T1 __	Veneer Tier 1	+0
T2 __	Veneer Tier 2	+1,783
GC __	Clear Glass, back painted	+8,941
GE __	Etched matte Glass, back painted	+10,556
CS01	Corian Glacier White	+11,237
QS __	Caesarstone	Contact Rep

Step 6. Base Finish

MC __	Powder Coat	+0
PM01	Polished Chrome	+359
PM02	Satin Nickel	+359
PM03	Oil Rubbed Bronze	+1,240

Step 7. Microphone and/or Grommet Accommodations: Optional

MA __	Microphone hole (factory cut)	Qty __ x 377 each
GM __	2" Grommet Hole (factory cut), liner, lid, in matching metal finish	Qty __ x 496 each

Step 8. Power & Connectivity Access: Optional

TMHW	Tabletop, Metal lid, Hardwired, Qty 2	+11,172
TMPI	Tabletop, Metal lid, Plug In, Qty 2	+9,866
TMLK	Tabletop, Metal lid, Linkable, Qty 2	+9,866
UMHW	Undermount, Hardwired, Qty 6	+7,182
UMPI	Undermount, Plug In, Qty 6	+5,220
UMLK	Undermount, Linkable, Qty 6	+5,220
SOHW	Undermount Slide-out, Hardwired, Qty 6	+12,510
SOPI	Undermount Slide-out, Plug In, Qty 6	+10,614
SOLK	Undermount Slide-out, Linkable, Qty 6	+10,614

Wire Management Column (sold separately)

Required with any technology selection

Pattern Number: 02WMC6X6	+266
Pattern Number: 02WMC10X10	+1038

Step 1. Metal Finish for Wire Management Column

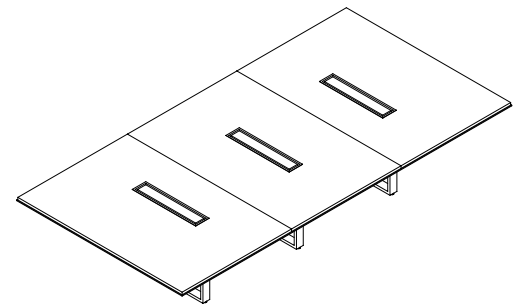
	6x6	10x10
MC __	Powder Coat	+0 +0
PM01	Polished Chrome	+1,252 +571
PM02	Satin Nickel	+1,252 +571
PM03	Oil Rubbed Bronze	+1,874 +2,607

Please consult [page 7](#) for the palette of DatesWeiser finishes. Natural stone, non-standard glass and veneer, and other technology options are available. Please email customerservice@datesweiser.com for a custom quote. Consult technical information on [page 277](#) for construction details and technical information.

Highline Rectangular Conference Table

72"x144"/ 12 Person

02R72X144



Starting Price: **\$23,999**

72x144 table, veneer Tier 1 top with metal edge, open base, powder coat metal finish

Base Pattern Number: 02R72X144

Step 1. Top Material

V	Veneer
G	Glass
C	Corian
Q	Caesarstone

Step 2. Edge Selection

N __	No Edge
L __	Leather Edge
M __	Metal Edge

Step 3. Base Type

BL	Base Loop	+0
-----------	-----------	----

Step 4. Edge Finish

N __	No Edge	+0
AU __	Spinneybeck Leather: Acqua	+3,636
MC __	Powder Coat	+0
PM01	Polished Chrome	+1,525
PM02	Satin Nickel	+1,525
PM03	Oil Rubbed Bronze	+1,525

Step 5. Top Finish

T1 __	Veneer Tier 1	+0
T2 __	Veneer Tier 2	+1,944
GC __	Clear Glass, back painted	+9,736
GE __	Etched matte Glass, back painted	+11,499
CS01	Corian Glacier White	+12,258
QS __	Caesarstone	Contact Rep.

Step 6. Base Finish

MC __	Powder Coat	+0
PM01	Polished Chrome	+539
PM02	Satin Nickel	+539
PM03	Oil Rubbed Bronze	+1,859

Step 7. Microphone and/or Grommet Accommodations: Optional

MA __	Microphone hole (factory cut)	Qty __ x 377 each
GM __	2" Grommet Hole (factory cut), liner, lid, in matching metal finish	Qty __ x 496 each

Step 8. Power & Connectivity Access: Optional

TMHW	Tabletop, Metal lid, Hardwired, Qty 3	+16,758
TMPI	Tabletop, Metal lid, Plug In, Qty 3	+14,799
TMLK	Tabletop, Metal lid, Linkable, Qty 3	+14,799
UMHW	Undermount, Hardwired, Qty 6	+7,182
UMPI	Undermount, Plug In, Qty 6	+5,220
UMLK	Undermount, Linkable, Qty 6	+5,220
SOHW	Undermount Slide-out, Hardwired, Qty 6	+12,510
SOPI	Undermount Slide-out, Plug In, Qty 6	+10,614
SOLK	Undermount Slide-out, Linkable, Qty 6	+10,614

Wire Management Column (sold separately)

Required with any technology selection

Pattern Number: 02WMC6X6	+266
Pattern Number: 02WMC10X10	+1038

Step 1. Metal Finish for Wire Management Column

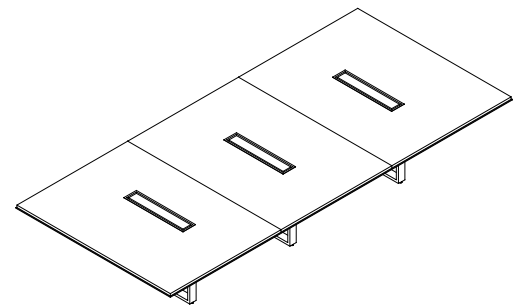
	6x6	10x10
MC __	Powder Coat	+0 +0
PM01	Polished Chrome	+1,252 +571
PM02	Satin Nickel	+1,252 +571
PM03	Oil Rubbed Bronze	+1,874 +2,607

Please consult [page 7](#) for the palette of DatesWeiser finishes. Natural stone, non-standard glass and veneer, and other technology options are available. Please email customerservice@datesweiser.com for a custom quote. Consult technical information on [page 277](#) for construction details and technical information.

Highline Rectangular Conference Table

72"x156"/ 12 Person

02R72X156



Starting Price: **\$25,504**

72x156 table, veneer Tier 1 top with metal edge, open base, powder coat metal finish

Base Pattern Number: 02R72X156

Step 1. Top Material

V	Veneer
G	Glass
C	Corian
Q	Caesarstone

Step 2. Edge Selection

N __	No Edge
L __	Leather Edge
M __	Metal Edge

Step 3. Base Type

BL	Base Loop	+0
-----------	-----------	----

Step 4. Edge Finish

N __	No Edge	+0
AU __	Spinneybeck Leather: Acqua	+3,837
MC __	Powder Coat	+0
PM01	Polished Chrome	+1,525
PM02	Satin Nickel	+1,525
PM03	Oil Rubbed Bronze	+1,525

Step 5. Top Finish

T1 __	Veneer Tier 1	+0
T2 __	Veneer Tier 2	+2,107
GC __	Clear Glass, back painted	+10,528
GE __	Etched matte Glass, back painted	+12,437
CS01	Corian Glacier White	+13,280
QS __	Caesarstone	Contact Rep.

Step 6. Base Finish

MC __	Powder Coat	+0
PM01	Polished Chrome	+539
PM02	Satin Nickel	+539
PM03	Oil Rubbed Bronze	+1,859

Step 7. Microphone and/or Grommet Accommodations: Optional

MA __	Microphone hole (factory cut)	Qty __ x 377 each
GM __	2" Grommet Hole (factory cut), liner, lid, in matching metal finish	Qty __ x 496 each

Step 8. Power & Connectivity Access: Optional

TMHW	Tabletop, Metal lid, Hardwired, Qty 3	+16,758
TMPI	Tabletop, Metal lid, Plug In, Qty 3	+14,799
TMLK	Tabletop, Metal lid, Linkable, Qty 3	+14,799
UMHW	Undermount, Hardwired, Qty 6	+7,182
UMPI	Undermount, Plug In, Qty 6	+5,220
UMLK	Undermount, Linkable, Qty 6	+5,220
SOHW	Undermount Slide-out, Hardwired, Qty 6	+12,510
SOPI	Undermount Slide-out, Plug In, Qty 6	+10,614
SOLK	Undermount Slide-out, Linkable, Qty 6	+10,614

Wire Management Column (sold separately)

Required with any technology selection

Pattern Number: 02WMC6X6	+266
Pattern Number: 02WMC10X10	+1038

Step 1. Metal Finish for Wire Management Column

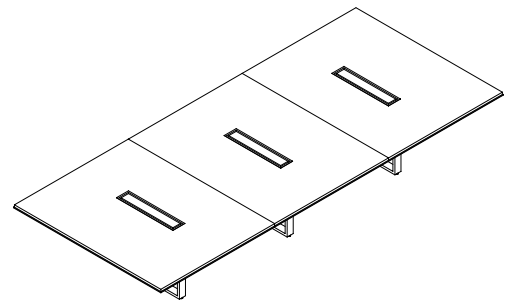
	6x6	10x10
MC __	Powder Coat	+0 +0
PM01	Polished Chrome	+1,252 +571
PM02	Satin Nickel	+1,252 +571
PM03	Oil Rubbed Bronze	+1,874 +2,607

Please consult [page 7](#) for the palette of DatesWeiser finishes. Natural stone, non-standard glass and veneer, and other technology options are available. Please email customerservice@datesweiser.com for a custom quote. Consult technical information on [page 277](#) for construction details and technical information.

Highline Rectangular Conference Table

72"x168"/ 14 Person

02R72X168



Starting Price: **\$26,760**

72x168 table, veneer Tier 1 top with metal edge, open base, powder coat metal finish

Base Pattern Number: 02R72X168

Step 1. Top Material

V	Veneer
G	Glass
C	Corian
Q	Caesarstone

Step 2. Edge Selection

N __	No Edge
L __	Leather Edge
M __	Metal Edge

Step 3. Base Type

BL	Base Loop	+0
-----------	-----------	----

Step 4. Edge Finish

N __	No Edge	+0
AU __	Spinneybeck Leather: Acqua	+4,040
MC __	Powder Coat	+0
PM01	Polished Chrome	+2,255
PM02	Satin Nickel	+ 2,255
PM03	Oil Rubbed Bronze	+ 2,255

Step 5. Top Finish

T1 __	Veneer Tier 1	+0
T2 __	Veneer Tier 2	+2,268
GC __	Clear Glass, back painted	+11,306
GE __	Etched matte Glass, back painted	+13,362
CS01	Corian Glacier White	+14,301
QS __	Caesarstone	Contact Rep.

Step 6. Base Finish

MC __	Powder Coat	+0
PM01	Polished Chrome	+567
PM02	Satin Nickel	+567
PM03	Oil Rubbed Bronze	+2,667

Step 7. Microphone and/or Grommet Accommodations: Optional

MA __	Microphone hole (factory cut)	Qty __ x 377 each
GM __	2" Grommet Hole (factory cut), liner, lid, in matching metal finish	Qty __ x 496 each

Step 8. Power & Connectivity Access: Optional

TMHW	Tabletop, Metal lid, Hardwired, Qty 3	+16,758
TMPI	Tabletop, Metal lid, Plug In, Qty 3	+14,799
TMLK	Tabletop, Metal lid, Linkable, Qty 3	+14,799
UMHW	Undermount, Hardwired, Qty 6	+7,182
UMPI	Undermount, Plug In, Qty 6	+5,220
UMLK	Undermount, Linkable, Qty 6	+5,220
SOHW	Undermount Slide-out, Hardwired, Qty 6	+12,510
SOPI	Undermount Slide-out, Plug In, Qty 6	+10,614
SOLK	Undermount Slide-out, Linkable, Qty 6	+10,614

Wire Management Column (sold separately)

Required with any technology selection

Pattern Number: 02WMC6X6	+266
Pattern Number: 02WMC10X10	+1038

Step 1. Metal Finish for Wire Management Column

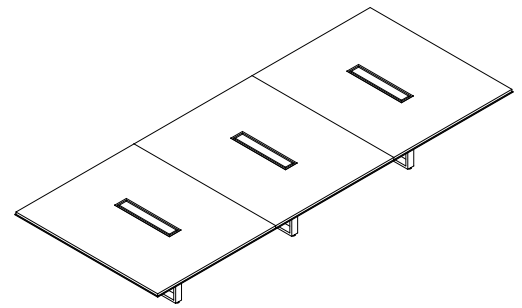
	6x6	10x10
MC __	Powder Coat	+0 +0
PM01	Polished Chrome	+1,252 +571
PM02	Satin Nickel	+1,252 +571
PM03	Oil Rubbed Bronze	+1,874 +2,607

Please consult [page 7](#) for the palette of DatesWeiser finishes. Natural stone, non-standard glass and veneer, and other technology options are available. Please email customerservice@datesweiser.com for a custom quote. Consult technical information on [page 277](#) for construction details and technical information.

Highline Rectangular Conference Table

72"x180"/ 16 Person

02R72X180



Starting Price: **\$27,965**

72x180 table, veneer Tier 1 top with metal edge, open base, powder coat metal finish

Base Pattern Number: 02R72X180

Step 1. Top Material

V	Veneer
G	Glass
C	Corian
Q	Caesarstone

Step 2. Edge Selection

N __	No Edge
L __	Leather Edge
M __	Metal Edge

Step 3. Base Type

BL	Base Loop	+0
-----------	-----------	----

Step 4. Edge Finish

N __	No Edge	+0
AU __	Spinneybeck Leather: Acqua	+4,242
MC __	Powder Coat	+0
PM01	Polished Chrome	+2,255
PM02	Satin Nickel	+2,255
PM03	Oil Rubbed Bronze	+2,255

Step 5. Top Finish

T1 __	Veneer Tier 1	+0
T2 __	Veneer Tier 2	+2,430
GC __	Clear Glass, back painted	+12,085
GE __	Etched matte Glass, back painted	+14,288
CS01	Corian Glacier White	+15,323
QS __	Caesarstone*	Contact Rep.

Step 6. Base Finish

MC __	Powder Coat	+0
PM01	Polished Chrome	+567
PM02	Satin Nickel	+567
PM03	Oil Rubbed Bronze	+2,667

Step 7. Microphone and/or Grommet Accommodations: Optional

MA __	Microphone hole (factory cut)	Qty __ x 377 each
GM __	2" Grommet Hole (factory cut), liner, lid, in matching metal finish	Qty __ x 496 each

Step 8. Power & Connectivity Access: Optional

TMHW	Tabletop, Metal lid, Hardwired, Qty 3	+16,758
TMPI	Tabletop, Metal lid, Plug In, Qty 3	+14,799
TMLK	Tabletop, Metal lid, Linkable, Qty 3	+14,799
UMHW	Undermount, Hardwired, Qty 8	+9,576
UMPI	Undermount, Plug In, Qty 8	+6,960
UMLK	Undermount, Linkable, Qty 8	+6,960
SOHW	Undermount Slide-out, Hardwired, Qty 8	+16,680
SOPI	Undermount Slide-out, Plug In, Qty 8	+14,152
SOLK	Undermount Slide-out, Linkable, Qty 8	+14,152

Wire Management Column (sold separately)

Required with any technology selection

Pattern Number: 02WMC6X6	+266
Pattern Number: 02WMC10X10	+1038

Step 1. Metal Finish for Wire Management Column

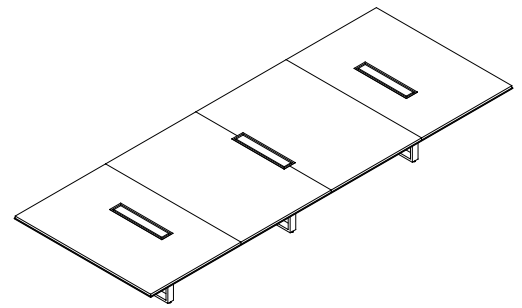
	6x6	10x10
MC __	Powder Coat	+0 +0
PM01	Polished Chrome	+1,252 +571
PM02	Satin Nickel	+1,252 +571
PM03	Oil Rubbed Bronze	+1,874 +2,607

Please consult [page 7](#) for the palette of DatesWeiser finishes. Natural stone, non-standard glass and veneer, and other technology options are available. Please email customerservice@datesweiser.com for a custom quote. Consult technical information on [page 277](#) for construction details and technical information.

Highline Rectangular Conference Table

72"x192" / 16 Person

02R72X192



Starting Price: **\$29,263**

72x192 table, veneer Tier 1 top with metal edge, open base, powder coat metal finish

Base Pattern Number: 02R72X192

Step 1. Top Material

V	Veneer
G	Glass
C	Corian
Q	Caesarstone

Step 2. Edge Selection

N __	No Edge
L __	Leather Edge
M __	Metal Edge

Step 3. Base Type

BL	Base Loop	+0
-----------	-----------	----

Step 4. Edge Finish

N __	No Edge	+0
AU __	Spinneybeck Leather: Acqua	+4,443
MC __	Powder Coat	+0
PM01	Polished Chrome	+2,255
PM02	Satin Nickel	+ 2,255
PM03	Oil Rubbed Bronze	+ 2,255

Step 5. Top Finish

T1 __	Veneer Tier 1	+0
T2 __	Veneer Tier 2	+2,593
GC __	Clear Glass, back painted	+12,867
GE __	Etched matte Glass, back painted	+15,217
CS01	Corian Glacier White	+16,345
QS __	Caesarstone	Contact Rep.

Step 6. Base Finish

MC __	Powder Coat	+0
PM01	Polished Chrome	+567
PM02	Satin Nickel	+ 567
PM03	Oil Rubbed Bronze	+2,667

Step 7. Microphone and/or Grommet Accommodations: Optional

MA __	Microphone hole (factory cut)	Qty __ x 377 each
GM __	2" Grommet Hole (factory cut), liner, lid, in matching metal finish	Qty __ x 496 each

Step 8. Power & Connectivity Access: Optional

TMHW	Tabletop, Metal lid, Hardwired, Qty 3	+16,758
TMPI	Tabletop, Metal lid, Plug In, Qty 3	+14,799
TMLK	Tabletop, Metal lid, Linkable, Qty 3	+14,799
UMHW	Undermount, Hardwired, Qty 8	+9,576
UMPI	Undermount, Plug In, Qty 8	+6,960
UMLK	Undermount, Linkable, Qty 8	+6,960
SOHW	Undermount Slide-out, Hardwired, Qty 8	+16,680
SOPI	Undermount Slide-out, Plug In, Qty 8	+14,152
SOLK	Undermount Slide-out, Linkable, Qty 8	+14,152

Wire Management Column (sold separately)

Required with any technology selection

Pattern Number: 02WMC6X6	+266
Pattern Number: 02WMC10X10	+1038

Step 1. Metal Finish for Wire Management Column

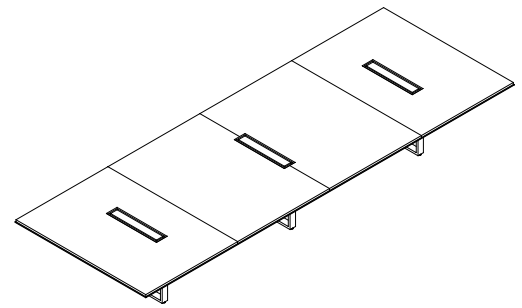
	6x6	10x10
MC __	Powder Coat	+0 +0
PM01	Polished Chrome	+1,252 +571
PM02	Satin Nickel	+1,252 +571
PM03	Oil Rubbed Bronze	+1,874 +2,607

Please consult [page 7](#) for the palette of DatesWeiser finishes. Natural stone, non-standard glass and veneer, and other technology options are available. Please email customerservice@datesweiser.com for a custom quote. Consult technical information on [page 277](#) for construction details and technical information.

Highline Rectangular Conference Table

72"x204"/ 16 Person

02R72X204



Starting Price: **\$30,503**

72x204 table, veneer Tier 1 top with metal edge, open base, powder coat metal finish

Base Pattern Number: 02R72X204

Step 1. Top Material

V	Veneer
G	Glass
C	Corian
Q	Caesarstone

Step 2. Edge Selection

N __	No Edge
L __	Leather Edge
M __	Metal Edge

Step 3. Base Type

BL	Base Loop	+0
-----------	-----------	----

Step 4. Edge Finish

N __	No Edge	+0
AU __	Spinneybeck Leather: Acqua	+4,646
MC __	Powder Coat	+0
PM01	Polished Chrome	+2,255
PM02	Satin Nickel	+2,255
PM03	Oil Rubbed Bronze	+ 2,255

Step 5. Top Finish

T1 __	Veneer Tier 1	+0
T2 __	Veneer Tier 2	+2,754
GC __	Clear Glass, back painted	+13,646
GE __	Etched matte Glass, back painted	+16,143
CS01	Corian Glacier White	+17,364
QS __	Caesarstone	Contact Rep.

Step 6. Base Finish

MC __	Powder Coat	+0
PM01	Polished Chrome	+567
PM02	Satin Nickel	+567
PM03	Oil Rubbed Bronze	+2,667

Step 7. Microphone and/or Grommet Accommodations: Optional

MA __	Microphone hole (factory cut)	Qty __ x 377 each
GM __	2" Grommet Hole (factory cut), liner, lid, in matching metal finish	Qty __ x 496 each

Step 8. Power & Connectivity Access: Optional

TMHW	Tabletop, Metal lid, Hardwired, Qty 3	+16,758
TMPI	Tabletop, Metal lid, Plug In, Qty 3	+14,799
TMLK	Tabletop, Metal lid, Linkable, Qty 3	+14,799
UMHW	Undermount, Hardwired, Qty 8	+9,576
UMPI	Undermount, Plug In, Qty 8	+6,960
UMLK	Undermount, Linkable, Qty 8	+6,960
SOHW	Undermount Slide-out, Hardwired, Qty 8	+16,680
SOPI	Undermount Slide-out, Plug In, Qty 8	+14,152
SOLK	Undermount Slide-out, Linkable, Qty 8	+14,152

Wire Management Column (sold separately)

Required with any technology selection

Pattern Number: 02WMC6X6	+266
Pattern Number: 02WMC10X10	+1038

Step 1. Metal Finish for Wire Management Column

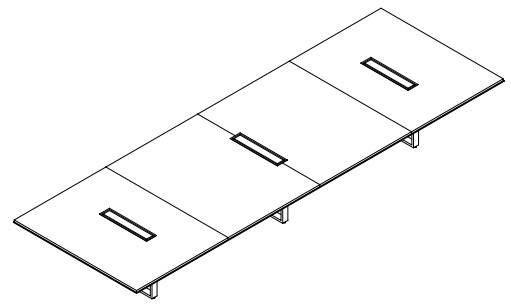
	6x6	10x10
MC __	Powder Coat	+0 +0
PM01	Polished Chrome	+1,252 +571
PM02	Satin Nickel	+1,252 +571
PM03	Oil Rubbed Bronze	+1,874 +2,607

Please consult [page 7](#) for the palette of DatesWeiser finishes. Natural stone, non-standard glass and veneer, and other technology options are available. Please email customerservice@datesweiser.com for a custom quote. Consult technical information on [page 277](#) for construction details and technical information.

Highline Rectangular Conference Table

72"x216" / 18 Person

02R72X216



Starting Price: **\$31,751**

72x216 table, veneer Tier 1 top with metal edge, open base, powder coat metal finish

Base Pattern Number: 02R72X216

Step 1. Top Material

V	Veneer
G	Glass
C	Corian
Q	Caesarstone

Step 2. Edge Selection

N __	No Edge
L __	Leather Edge
M __	Metal Edge

Step 3. Base Type

BL	Base Loop	+0
-----------	-----------	----

Step 4. Edge Finish

N __	No Edge	+0
AU __	Spinneybeck Leather: Acqua	+4,847
MC __	Powder Coat	+0
PM01	Polished Chrome	+ 2,255
PM02	Satin Nickel	+ 2,255
PM03	Oil Rubbed Bronze	+ 2,255

Step 5. Top Finish

T1 __	Veneer Tier 1	+0
T2 __	Veneer Tier 2	+2,916
GC __	Clear Glass, back painted	+14,426
GE __	Etched matte Glass, back painted	+17,179
CS01	Corian Glacier White	+18,387
QS __	Caesarstone	Contact Rep.

Step 6. Base Finish

MC __	Powder Coat	+0
PM01	Polished Chrome	+567
PM02	Satin Nickel	+567
PM03	Oil Rubbed Bronze	+ 2,667

Step 7. Microphone and/or Grommet Accommodations: Optional

MA __	Microphone hole (factory cut)	Qty __ x 377 each
GM __	2" Grommet Hole (factory cut), liner, lid, in matching metal finish	Qty __ x 496 each

Step 8. Power & Connectivity Access: Optional

TMHW	Tabletop, Metal lid, Hardwired, Qty 3	+16,758
TMPI	Tabletop, Metal lid, Plug In, Qty 3	+14,799
TMLK	Tabletop, Metal lid, Linkable, Qty 3	+14,799
UMHW	Undermount, Hardwired, Qty 8	+9,576
UMPI	Undermount, Plug In, Qty 8	+6,960
UMLK	Undermount, Linkable, Qty 8	+6,960
SOHW	Undermount Slide-out, Hardwired, Qty 8	+16,680
SOPI	Undermount Slide-out, Plug In, Qty 8	+14,152
SOLK	Undermount Slide-out, Linkable, Qty 8	+14,152

Wire Management Column (sold separately)

Required with any technology selection

Pattern Number: 02WMC6X6	+266
Pattern Number: 02WMC10X10	+1038

Step 1. Metal Finish for Wire Management Column

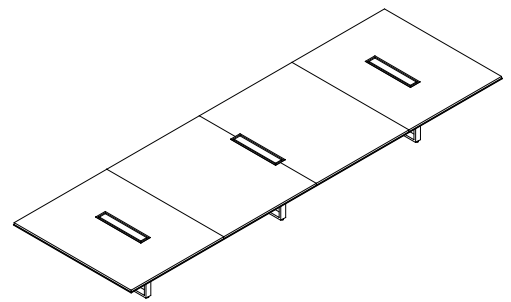
		6x6	10x10
MC __	Powder Coat	+0	+0
PM01	Polished Chrome	+1,252	+571
PM02	Satin Nickel	+1,252	+571
PM03	Oil Rubbed Bronze	+1,874	+2,607

Please consult [page 7](#) for the palette of DatesWeiser finishes. Natural stone, non-standard glass and veneer, and other technology options are available. Please email customerservice@datesweiser.com for a custom quote. Consult technical information on [page 277](#) for construction details and technical information.

Highline Rectangular Conference Table

72"x228"/ 18 Person

02R72X228



Starting Price: **\$32,972**

72x228 table, veneer Tier 1 top with metal edge, open base, powder coat metal finish

Base Pattern Number: 02R72X228

Step 1. Top Material

V	Veneer
G	Glass
C	Corian
Q	Caesarstone

Step 2. Edge Selection

N __	No Edge
L __	Leather Edge
M __	Metal Edge

Step 3. Base Type

BL	Base Loop	+0
-----------	-----------	----

Step 4. Edge Finish

N __	No Edge	+0
AU __	Spinneybeck Leather: Acqua	+5,049
MC __	Powder Coat	+0
PM01	Polished Chrome	+ 2,255
PM02	Satin Nickel	+ 2,255
PM03	Oil Rubbed Bronze	+ 2,255

Step 5. Top Finish

T1 __	Veneer Tier 1	+0
T2 __	Veneer Tier 2	+3,079
GC __	Clear Glass, back painted	+15,205
GE __	Etched matte Glass, back painted	+17,996
CS01	Corian Glacier White	+19,410
QS __	Caesarstone*	Contact Rep.

Step 6. Base Finish

MC __	Powder Coat	+0
PM01	Polished Chrome	+567
PM02	Satin Nickel	+567
PM03	Oil Rubbed Bronze	+ 2,667

Step 7. Microphone and/or Grommet Accommodations: Optional

MA __	Microphone hole (factory cut)	Qty __ x 377 each
GM __	2" Grommet Hole (factory cut), liner, lid, in matching metal finish	Qty __ x 496 each

Step 8. Power & Connectivity Access: Optional

TMHW	Tabletop, Metal lid, Hardwired, Qty 3	+16,758
TMPI	Tabletop, Metal lid, Plug In, Qty 3	+14,799
TMLK	Tabletop, Metal lid, Linkable, Qty 3	+14,799
UMHW	Undermount, Hardwired, Qty 8	+9,576
UMPI	Undermount, Plug In, Qty 8	+6,960
UMLK	Undermount, Linkable, Qty 8	+6,960
SOHW	Undermount Slide-out, Hardwired, Qty 8	+16,680
SOPI	Undermount Slide-out, Plug In, Qty 8	+14,152
SOLK	Undermount Slide-out, Linkable, Qty 8	+14,152

Wire Management Column (sold separately)

Required with any technology selection

Pattern Number: 02WMC6X6	+266
Pattern Number: 02WMC10X10	+1038

Step 1. Metal Finish for Wire Management Column

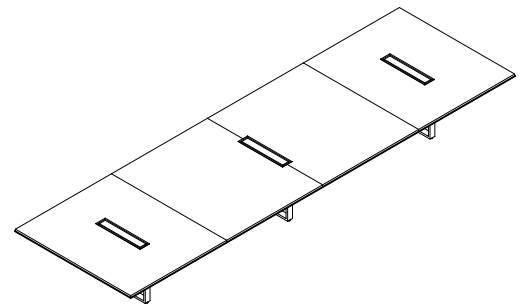
	6x6	10x10
MC __	Powder Coat	+0 +0
PM01	Polished Chrome	+1,252 +571
PM02	Satin Nickel	+1,252 +571
PM03	Oil Rubbed Bronze	+1,874 +2,607

Please consult [page 7](#) for the palette of DatesWeiser finishes. Natural stone, non-standard glass and veneer, and other technology options are available. Please email customerservice@datesweiser.com for a custom quote. Consult technical information on [page 277](#) for construction details and technical information.

Highline Rectangular Conference Table

72"x240"/ 20 Person

02R72X240



Starting Price: **\$34,197**

72x240 table, veneer Tier 1 top with metal edge, open base, powder coat metal finish

Base Pattern Number: 02R72X240

Step 1. Top Material

V	Veneer
G	Glass
C	Corian
Q	Caesarstone

Step 2. Edge Selection

N __	No Edge
L __	Leather Edge
M __	Metal Edge

Step 3. Base Type

BL	Base Loop	+0
-----------	-----------	----

Step 4. Edge Finish

N __	No Edge	+0
AU __	Spinneybeck Leather: Acqua	+5,252
MC __	Powder Coat	+0
PM01	Polished Chrome	+2,255
PM02	Satin Nickel	+2,255
PM03	Oil Rubbed Bronze	+2,255

Step 5. Top Finish

T1 __	Veneer Tier 1	+0
T2 __	Veneer Tier 2	+3,241
GC __	Clear Glass, back painted	+15,984
GE __	Etched matte Glass, back painted	+18,921
CS01	Corian Glacier White	+20,548
QS __	Caesarstone*	Contact Rep.

Step 6. Base Finish

MC __	Powder Coat	+0
PM01	Polished Chrome	+567
PM02	Satin Nickel	+567
PM03	Oil Rubbed Bronze	+ 2,667

Step 7. Microphone and/or Grommet Accommodations: Optional

MA __	Microphone hole (factory cut)	Qty __ x 377 each
GM __	2" Grommet Hole (factory cut), liner, lid, in matching metal finish	Qty __ x 496 each

Step 8. Power & Connectivity Access: Optional

TMHW	Tabletop, Metal lid, Hardwired, Qty 3	+16,758
TMPI	Tabletop, Metal lid, Plug In, Qty 3	+14,799
TMLK	Tabletop, Metal lid, Linkable, Qty 3	+14,799
UMHW	Undermount, Hardwired, Qty 10	+11,970
UMPI	Undermount, Plug In, Qty 10	+8,700
UMLK	Undermount, Linkable, Qty 10	+8,700
SOHW	Undermount Slide-out, Hardwired, Qty 10	+20,850
SOPI	Undermount Slide-out, Plug In, Qty 10	+17,690
SOLK	Undermount Slide-out, Linkable, Qty 10	+17,690

Wire Management Column (sold separately)

Required with any technology selection

Pattern Number: 02WMC6X6	+266
Pattern Number: 02WMC10X10	+1038

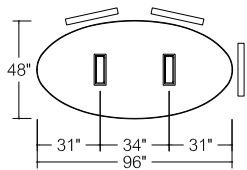
Step 1. Metal Finish for Wire Management Column

	6x6	10x10
MC __	Powder Coat	+0 +0
PM01	Polished Chrome	+1,252 +571
PM02	Satin Nickel	+1,252 +571
PM03	Oil Rubbed Bronze	+1,874 +2,607

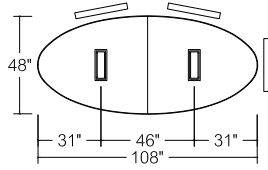
Please consult [page 7](#) for the palette of DatesWeiser finishes. Natural stone, non-standard glass and veneer, and other technology options are available. Please email customerservice@datesweiser.com for a custom quote. Consult technical information on [page 277](#) for construction details and technical information.

Highline Elliptical Conference Tables Index

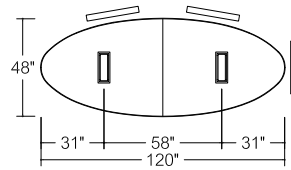
48"-72" width



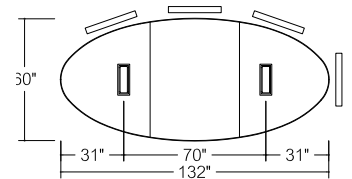
02E48X96
6 Person Table



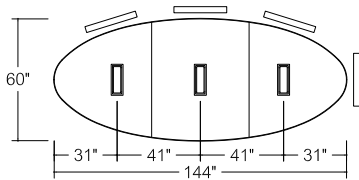
02E48X108
6 Person Table



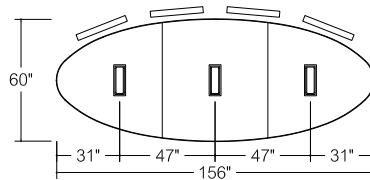
02E48X120
6 Person Table



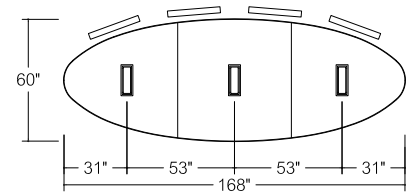
02E60X132
8 Person Table



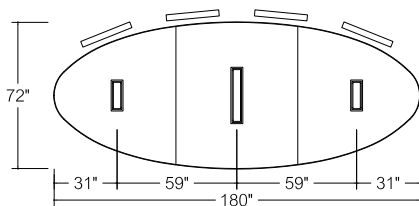
02E60X144
8 Person Table



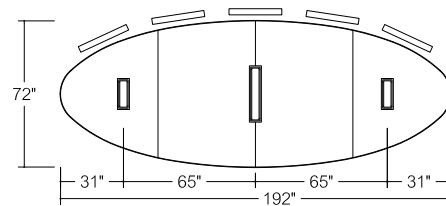
02E60X156
8 Person Table



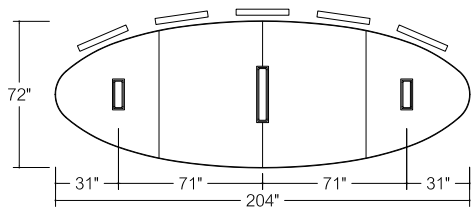
02E60X168
8 Person Table



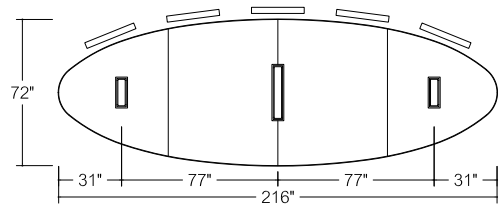
02E72X180
8 Person Table



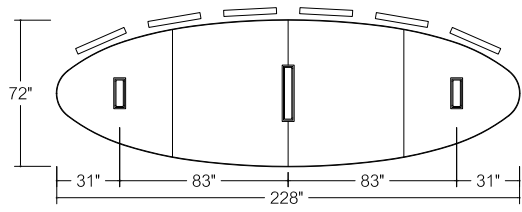
02E72X192
10 Person Table



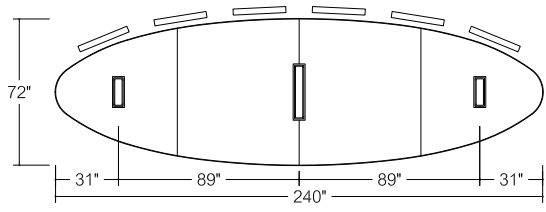
02E72X204
10 Person Table



02E72X216
10 Person Table



02E72X228
12 Person Table

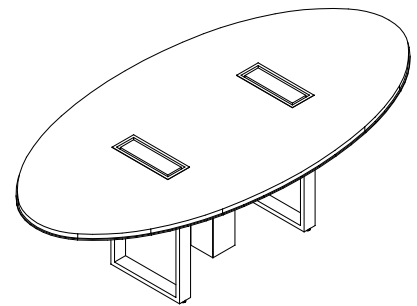


02E72X240
12 Person Table

Highline Elliptical Conference Table

48"x96"/ 6 Person

02E48X96



Starting Price: \$17,129

48x96 table, veneer Tier 1 top with metal edge, open base, powder coat metal finish

Base Pattern Number: 02E48X96

Step 1. Top Material

V	Veneer
G	Glass
C	Corian
Q	Caesarstone

Step 2. Edge Selection

N __	No Edge
L __	Leather Edge
M __	Metal Edge

Step 3. Base Type

BL	Base Loop	+0
-----------	-----------	----

Step 4. Edge Finish

N __	No Edge	+0
AU __	Spinneybeck Leather: Acqua	+2,473
MC __	Powder Coat	+0
PM01	Polished Chrome	+1,749
PM02	Satin Nickel	+1,749
PM03	Oil Rubbed Bronze	+3,893

Step 5. Top Finish

T1 __	Veneer Tier 1	+0
T2 __	Veneer Tier 2	+865
GC __	Clear Glass, back painted	+6,598
GE __	Etched matte Glass, back painted	+7,773
CS01	Corian Glacier White	+9,018
QS __	Caesarstone	Contact Rep.

Step 6. Base Finish

MC __	Powder Coat	+0
PM01	Polished Chrome	+378
PM02	Satin Nickel	+378
PM03	Oil Rubbed Bronze	+740

Step 7. Microphone and/or Grommet Accommodations: Optional

MA __	Microphone hole (factory cut)	Qty __ x 377 each
GM __	2" Grommet Hole (factory cut), liner, lid, in matching metal finish	Qty __ x 496 each

Step 8. Power & Connectivity Access: Optional

TMHW	Tabletop, Metal lid, Hardwired, Qty 2	+8,796
TMPI	Tabletop, Metal lid, Plug In, Qty 2	+7,496
TMLK	Tabletop, Metal lid, Linkable, Qty 2	+6,394
UMHW	Undermount, Hardwired, Qty 4	+4,788
UMPI	Undermount, Plug In, Qty 4	+3,480
UMLK	Undermount, Linkable, Qty 4	+3,480
SOHW	Undermount Slide-out, Hardwired, Qty 4	+8,340
SOPI	Undermount Slide-out, Plug In, Qty 4	+7,076
SOLK	Undermount Slide-out, Linkable, Qty 4	+7,076

Wire Management Column (sold separately)

Required with any technology selection

Pattern Number: 02WMC6X6	+266
Pattern Number: 02WMC10X10	+1,038

Step 1. Metal Finish for Wire Management Column

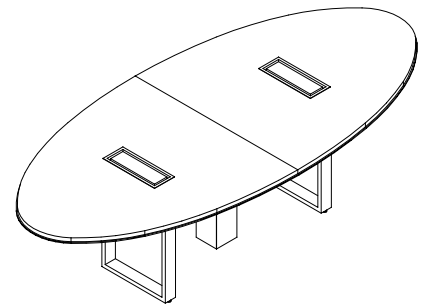
	6x6	10x10
MC __	Powder Coat	+0 +0
PM01	Polished Chrome	+1,252 +571
PM02	Satin Nickel	+1,252 +571
PM03	Oil Rubbed Bronze	+1,874 +2,607

Please consult [page 7](#) for the palette of DatesWeiser finishes. Natural stone, non-standard glass and veneer, and other technology options are available. Please email customerservice@datesweiser.com for a custom quote. Consult technical information on [page 277](#) for construction details and technical information.

Highline Elliptical Conference Table

48"x108"/ 6 Person

02E48X108



Starting Price: **\$17,684**

48x108 table, veneer Tier 1 top with metal edge, open base, powder coat metal finish

Base Pattern Number: 02E48X108

Step 1. Top Material

V	Veneer
G	Glass
C	Corian
Q	Caesarstone

Step 2. Edge Selection

N __	No Edge
L __	Leather Edge
M __	Metal Edge

Step 3. Base Type

BL	Base Loop	+0
-----------	-----------	----

Step 2. Edge Finish

N __	No Edge	+0
AU __	Spinneybeck Leather: Acqua	+2,702
MC __	Powder Coat	+0
PM01	Polished Chrome	+1,746
PM02	Satin Nickel	+1,746
PM03	Oil Rubbed Bronze	+4,466

Step 5. Top Finish

T1 __	Veneer Tier 1	+0
T2 __	Veneer Tier 2	+972
GC __	Clear Glass, back painted	+7,355
GE __	Etched matte Glass, back painted	+8,677
CS01	Corian Glacier White	+10,144
QS __	Caesarstone	Contact Rep.

Step 6. Base Finish

MC __	Powder Coat	+0
PM01	Polished Chrome	+378
PM02	Satin Nickel	+378
PM03	Oil Rubbed Bronze	+740

Step 7. Microphone and/or Grommet Accommodations: Optional

MA __	Microphone hole (factory cut)	Qty __ x 377 each
GM __	2" Grommet Hole (factory cut), liner, lid, in matching metal finish	Qty __ x 496 each

Step 8. Power & Connectivity Access: Optional

TMHW	Tabletop, Metal lid, Hardwired, Qty 2	+8,796
TMPI	Tabletop, Metal lid, Plug In, Qty 2	+7,496
TMLK	Tabletop, Metal lid, Linkable, Qty 2	+6,394
UMHW	Undermount, Hardwired, Qty 4	+4,788
UMPI	Undermount, Plug In, Qty 4	+3,480
UMLK	Undermount, Linkable, Qty 4	+3,480
SOHW	Undermount Slide-out, Hardwired, Qty 4	+8,340
SOPI	Undermount Slide-out, Plug In, Qty 4	+7,076
SOLK	Undermount Slide-out, Linkable, Qty 4	+7,076

Wire Management Column (sold separately)

Required with any technology selection

Pattern Number: 02WMC6X6	+266
Pattern Number: 02WMC10X10	+1,038

Step 1. Metal Finish for Wire Management Column

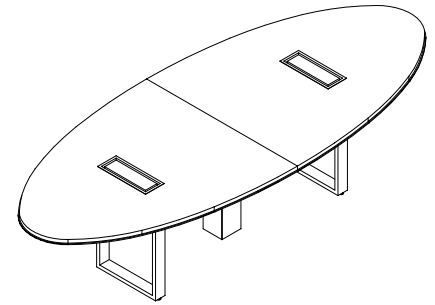
	6x6	10x10
MC __	Powder Coat	+0 +0
PM01	Polished Chrome	+1,252 +571
PM02	Satin Nickel	+1,252 +571
PM03	Oil Rubbed Bronze	+1,874 +2,607

Please consult [page 7](#) for the palette of DatesWeiser finishes. Natural stone, non-standard glass and veneer, and other technology options are available. Please email customerservice@datesweiser.com for a custom quote. Consult technical information on [page 277](#) for construction details and technical information.

Highline Elliptical Conference Table

48"x120"/ 6 Person

02E48X120



Starting Price: **\$18,849**

48x120 table, veneer Tier 1 top with metal edge, open base, powder coat metal finish

Base Pattern Number: 02E48X120

Step 1. Top Material

V	Veneer
G	Glass
C	Corian
Q	Caesarstone

Step 2. Edge Selection

N __	No Edge
L __	Leather Edge
M __	Metal Edge

Step 3. Base Type

BL	Base Loop	+0
-----------	-----------	----

Step 4. Edge Finish

N __	No Edge	+0
AU __	Spinneybeck Leather: Acqua	+2,934
MC __	Powder Coat	+0
PM01	Polished Chrome	+1,768
PM02	Satin Nickel	+1,768
PM03	Oil Rubbed Bronze	+4,419

Step 5. Top Finish

T1 __	Veneer Tier 1	+0
T2 __	Veneer Tier 2	+1,080
GC __	Clear Glass, back painted	+8,140
GE __	Etched matte Glass, back painted	+9,608
CS01	Corian Glacier White	+11,272
QS __	Caesarstone	Contact Rep.

Step 6. Base Finish

MC __	Powder Coat	+0
PM01	Polished Chrome	+378
PM02	Satin Nickel	+378
PM03	Oil Rubbed Bronze	+740

Step 7. Microphone and/or Grommet Accommodations: Optional

MA __	Microphone hole (factory cut)	Qty __ x 377 each
GM __	2" Grommet Hole (factory cut), liner, lid, in matching metal finish	Qty __ x 496 each

Step 8. Power & Connectivity Access: Optional

TMHW	Tabletop, Metal lid, Hardwired, Qty 2	+8,796
TMPI	Tabletop, Metal lid, Plug In, Qty 2	+7,496
TMLK	Tabletop, Metal lid, Linkable, Qty 2	+6,394
UMHW	Undermount, Hardwired, Qty 4	+4,788
UMPI	Undermount, Plug In, Qty 4	+3,480
UMLK	Undermount, Linkable, Qty 4	+3,480
SOHW	Undermount Slide-out, Hardwired, Qty 4	+8,340
SOPI	Undermount Slide-out, Plug In, Qty 4	+7,076
SOLK	Undermount Slide-out, Linkable, Qty 4	+7,076

Wire Management Column (sold separately)

Required with any technology selection

Pattern Number: 02WMC6X6	+266
Pattern Number: 02WMC10X10	+1,038

Step 1. Metal Finish for Wire Management Column

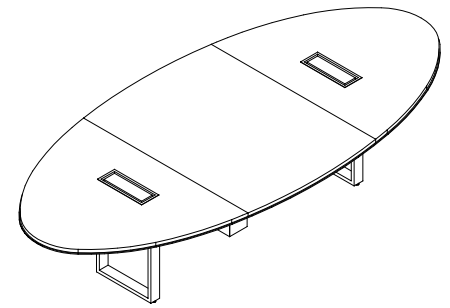
	6x6	10x10
MC __	Powder Coat	+0 +0
PM01	Polished Chrome	+1,252 +571
PM02	Satin Nickel	+1,252 +571
PM03	Oil Rubbed Bronze	+1,874 +2,607

Please consult [page 7](#) for the palette of DatesWeiser finishes. Natural stone, non-standard glass and veneer, and other technology options are available. Please email customerservice@datesweiser.com for a custom quote. Consult technical information on [page 277](#) for construction details and technical information.

Highline Elliptical Conference Table

60"x132"/ 8 Person

02E60X132



Starting Price: **\$22,563**

60x132 table, veneer Tier 1 top with metal edge, open base, powder coat metal finish

Base Pattern Number: 02E60X132

Step 1. Top Material

V	Veneer
G	Glass
C	Corian
Q	Caesarstone

Step 2. Edge Selection

N __	No Edge
L __	Leather Edge
M __	Metal Edge

Step 3. Base Type

BL	Base Loop	+0
-----------	-----------	----

Step 4. Edge Finish

N __	No Edge	+0
AU __	Spinneybeck Leather: Acqua	+3,315
MC __	Powder Coat	+0
PM01	Polished Chrome	+2,095
PM02	Satin Nickel	+2,092
PM03	Oil Rubbed Bronze	+5,357

Step 5. Top Finish

T1 __	Veneer Tier 1	+0
T2 __	Veneer Tier 2	+1,485
GC __	Clear Glass, back painted	+11,048
GE __	Etched matte Glass, back painted	+13,067
CS01	Corian Glacier White	+15,499
QS __	Caesarstone	Contact Rep.

Step 6. Base Finish

MC __	Powder Coat	+0
PM01	Polished Chrome	+378
PM02	Satin Nickel	+378
PM03	Oil Rubbed Bronze	+740

Step 7. Microphone and/or Grommet Accommodations: Optional

MA __	Microphone hole (factory cut)	Qty __ x 377 each
GM __	2" Grommet Hole (factory cut), liner, lid, in matching metal finish	Qty __ x 496 each

Step 8. Power & Connectivity Access: Optional

TMHW	Tabletop, Metal lid, Hardwired, Qty 2	+8,796
TMPI	Tabletop, Metal lid, Plug In, Qty 2	+7,496
TMLK	Tabletop, Metal lid, Linkable, Qty 2	+6,394
UMHW	Undermount, Hardwired, Qty 4	+4,788
UMPI	Undermount, Plug In, Qty 4	+3,480
UMLK	Undermount, Linkable, Qty 4	+3,480
SOHW	Undermount Slide-out, Hardwired, Qty 4	+8,340
SOPI	Undermount Slide-out, Plug In, Qty 4	+7,076
SOLK	Undermount Slide-out, Linkable, Qty 4	+7,076

Wire Management Column (sold separately)

Required with any technology selection

Pattern Number: 02WMC6X6	+266
Pattern Number: 02WMC10X10	+1,038

Step 1. Metal Finish for Wire Management Column

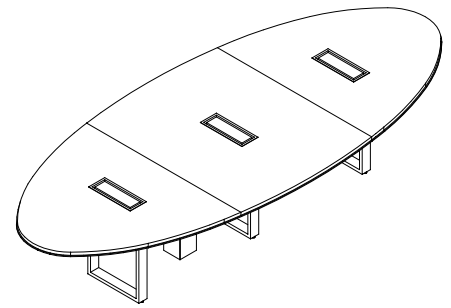
	6x6	10x10
MC __	Powder Coat	+0 +0
PM01	Polished Chrome	+1,252 +571
PM02	Satin Nickel	+1,252 +571
PM03	Oil Rubbed Bronze	+1,874 +2,607

Please consult [page 7](#) for the palette of DatesWeiser finishes. Natural stone, non-standard glass and veneer, and other technology options are available. Please email customerservice@datesweiser.com for a custom quote. Consult technical information on [page 277](#) for construction details and technical information.

Highline Elliptical Conference Table

60"x144"/ 8 Person

02E60X144



Starting Price: **\$24,720**

60x144 table, veneer Tier 1 top with metal edge, open base, powder coat metal finish

Base Pattern Number: 02E60X144

Step 1. Top Material

V	Veneer
G	Glass
C	Corian
Q	Caesarstone

Step 2. Edge Selection

N __	No Edge
L __	Leather Edge
M __	Metal Edge

Step 3. Base Type

BL	Base Loop	+0
-----------	-----------	----

Step 4. Edge Finish

N __	No Edge	+0
AU __	Spinneybeck Leather: Acqua	+3,548
MC __	Powder Coat	+0
PM01	Polished Chrome	+2,095
PM02	Satin Nickel	+2,095
PM03	Oil Rubbed Bronze	+5,357

Step 5. Top Finish

T1 __	Veneer Tier 1	+0
T2 __	Veneer Tier 2	+1,621
GC __	Clear Glass, back painted	+12,059
GE __	Etched matte Glass, back painted	+14,261
CS01	Corian Glacier White	+16,908
QS __	Caesarstone	Contact Rep.

Step 6. Base Finish

MC __	Powder Coat	+0
PM01	Polished Chrome	+567
PM02	Satin Nickel	+567
PM03	Oil Rubbed Bronze	+1,110

Step 7. Microphone and/or Grommet Accommodations: Optional

MA __	Microphone hole (factory cut)	Qty __ x 377 each
GM __	2" Grommet Hole (factory cut), liner, lid, in matching metal finish	Qty __ x 496 each

Step 8. Power & Connectivity Access: Optional

TMHW	Tabletop, Metal lid, Hardwired, Qty 3	+13,194
TMPI	Tabletop, Metal lid, Plug In, Qty 3	+11,244
TMLK	Tabletop, Metal lid, Linkable, Qty 3	+9,591
UMHW	Undermount, Hardwired, Qty 4	+4,788
UMPI	Undermount, Plug In, Qty 4	+3,480
UMLK	Undermount, Linkable, Qty 4	+3,480
SOHW	Undermount Slide-out, Hardwired, Qty 4	+8,340
SOPI	Undermount Slide-out, Plug In, Qty 4	+7,076
SOLK	Undermount Slide-out, Linkable, Qty 4	+7,076

Wire Management Column (sold separately)

Required with any technology selection

Pattern Number: 02WMC6X6	+266
Pattern Number: 02WMC10X10	+1,038

Step 1. Metal Finish for Wire Management Column

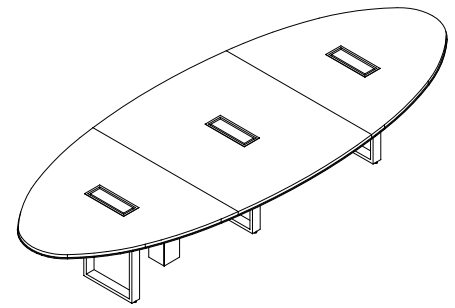
	6x6	10x10
MC __	Powder Coat	+0 +0
PM01	Polished Chrome	+1,252 +571
PM02	Satin Nickel	+1,252 +571
PM03	Oil Rubbed Bronze	+1,874 +2,607

Please consult [page 7](#) for the palette of DatesWeiser finishes. Natural stone, non-standard glass and veneer, and other technology options are available. Please email customerservice@datesweiser.com for a custom quote. Consult technical information on [page 277](#) for construction details and technical information.

Highline Elliptical Conference Table

60"x156"/ 8 Person

02E60X156



Starting Price: **\$25,598**

60x156 table, veneer Tier 1 top with metal edge, open base, powder coat metal finish

Base Pattern Number: 02E60X156

Step 1. Top Material

V	Veneer
G	Glass
C	Corian
Q	Caesarstone

Step 2. Edge Selection

N __	No Edge
L __	Leather Edge
M __	Metal Edge

Step 3. Base Type

BL	Base Loop	+0
-----------	-----------	----

Step 4. Edge Finish

N __	No Edge	+0
AU __	Spinneybeck Leather: Acqua	+3,781
MC __	Powder Coat	+0
PM01	Polished Chrome	+2,098
PM02	Satin Nickel	+2,098
PM03	Oil Rubbed Bronze	+5,358

Step 5. Top Finish

T1 __	Veneer Tier 1	+0
T2 __	Veneer Tier 2	+1,755
GC __	Clear Glass, back painted	+13,013
GE __	Etched matte Glass, back painted	+15,400
CS01	Corian Glacier White	+18,317
QS __	Caesarstone	Contact Rep.

Step 6. Base Finish

MC __	Powder Coat	+0
PM01	Polished Chrome	+567
PM02	Satin Nickel	+567
PM03	Oil Rubbed Bronze	+1,110

Step 7. Microphone and/or Grommet Accommodations: Optional

MA __	Microphone hole (factory cut)	Qty __ x 377 each
GM __	2" Grommet Hole (factory cut), liner, lid, in matching metal finish	Qty __ x 496 each

Step 8. Power & Connectivity Access: Optional

TMHW	Tabletop, Metal lid, Hardwired, Qty 3	+13,194
TMPI	Tabletop, Metal lid, Plug In, Qty 3	+11,244
TMLK	Tabletop, Metal lid, Linkable, Qty 3	+9,591
UMHW	Undermount, Hardwired, Qty 4	+4,788
UMPI	Undermount, Plug In, Qty 4	+3,480
UMLK	Undermount, Linkable, Qty 4	+3,480
SOHW	Undermount Slide-out, Hardwired, Qty 4	+8,340
SOPI	Undermount Slide-out, Plug In, Qty 4	+7,076
SOLK	Undermount Slide-out, Linkable, Qty 4	+7,076

Wire Management Column (sold separately)

Required with any technology selection

Pattern Number: 02WMC6X6	+266
Pattern Number: 02WMC10X10	+1,038

Step 1. Metal Finish for Wire Management Column

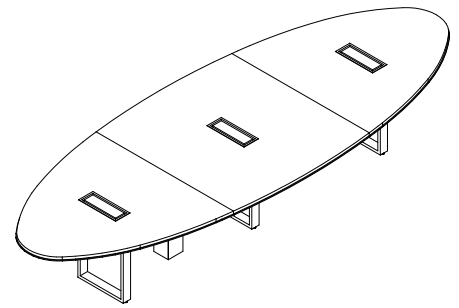
	6x6	10x10
MC __	Powder Coat	+0 +0
PM01	Polished Chrome	+1,252 +571
PM02	Satin Nickel	+1,252 +571
PM03	Oil Rubbed Bronze	+1,874 +2,607

Please consult [page 7](#) for the palette of DatesWeiser finishes. Natural stone, non-standard glass and veneer, and other technology options are available. Please email customerservice@datesweiser.com for a custom quote. Consult technical information on [page 277](#) for construction details and technical information.

Highline Elliptical Conference Table

60"x168"/ 8 Person

02E60X168



Starting Price: **\$27,386**

60x168 table, veneer Tier 1 top with metal edge, open base, powder coat metal finish

Base Pattern Number: 02E60X168

Step 1. Top Material

V	Veneer
G	Glass
C	Corian
Q	Caesarstone

Step 2. Edge Selection

N __	No Edge
L __	Leather Edge
M __	Metal Edge

Step 3. Base Type

BL	Base Loop	+0
-----------	-----------	----

Step 4. Edge Finish

N __	No Edge	+0
AU __	Spinneybeck Leather: Acqua	+4,016
MC __	Powder Coat	+0
PM01	Polished Chrome	+2,130
PM02	Satin Nickel	+2,130
PM03	Oil Rubbed Bronze	+5,358

Step 5. Top Finish

T1 __	Veneer Tier 1	+0
T2 __	Veneer Tier 2	+1,891
GC __	Clear Glass, back painted	+14,007
GE __	Etched matte Glass, back painted	+16,577
CS01	Corian Glacier White	+19,726
QS __	Caesarstone	Contact Rep.

Step 6. Base Finish

MC __	Powder Coat	+0
PM01	Polished Chrome	+567
PM02	Satin Nickel	+567
PM03	Oil Rubbed Bronze	+1,110

Step 7. Microphone and/or Grommet Accommodations: Optional

MA __	Microphone hole (factory cut)	Qty __ x 377 each
GM __	2" Grommet Hole (factory cut), liner, lid, in matching metal finish	Qty __ x 496 each

Step 8. Power & Connectivity Access: Optional

TMHW	Tabletop, Metal lid, Hardwired, Qty 3	+13,194
TMPI	Tabletop, Metal lid, Plug In, Qty 3	+11,244
TMLK	Tabletop, Metal lid, Linkable, Qty 3	+9,591
UMHW	Undermount, Hardwired, Qty 4	+4,788
UMPI	Undermount, Plug In, Qty 4	+3,480
UMLK	Undermount, Linkable, Qty 4	+3,480
SOHW	Undermount Slide-out, Hardwired, Qty 4	+8,340
SOPI	Undermount Slide-out, Plug In, Qty 4	+7,076
SOLK	Undermount Slide-out, Linkable, Qty 4	+7,076

Wire Management Column (sold separately)

Required with any technology selection

Pattern Number: 02WMC6X6	+266
Pattern Number: 02WMC10X10	+1,038

Step 1. Metal Finish for Wire Management Column

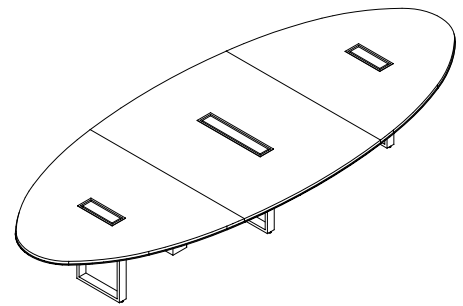
	6x6	10x10
MC __	Powder Coat	+0 +0
PM01	Polished Chrome	+1,252 +571
PM02	Satin Nickel	+1,252 +571
PM03	Oil Rubbed Bronze	+1,874 +2,607

Please consult [page 7](#) for the palette of DatesWeiser finishes. Natural stone, non-standard glass and veneer, and other technology options are available. Please email customerservice@datesweiser.com for a custom quote. Consult technical information on [page 277](#) for construction details and technical information.

Highline Elliptical Conference Table

72"x180"/ 10 Person

02E72X180



Starting Price: **\$32,329**

72x192 table, veneer Tier 1 top with metal edge, open base, powder coat metal finish

Base Pattern Number: 02E72X180

Step 1. Top Material

V	Veneer
G	Glass
C	Corian
Q	Caesarstone

Step 2. Edge Selection

N __	No Edge
L __	Leather Edge
M __	Metal Edge

Step 3. Base Type

BL	Base Loop	+0
-----------	-----------	----

Step 4. Edge Finish

N __	No Edge	+0
AU __	Spinneybeck Leather: Acqua	+4,392
MC __	Powder Coat	+0
PM01	Polished Chrome	+2,189
PM02	Satin Nickel	+2,077
PM03	Oil Rubbed Bronze	+5,420

Step 5. Top Finish

T1 __	Veneer Tier 1	+0
T2 __	Veneer Tier 2	+2,429
GC __	Clear Glass, back painted	+17,886
GE __	Etched matte Glass, back painted	+21,191
CS01	Corian Glacier White	+25,362
QS __	Caesarstone*	Contact Rep.

Step 6. Base Finish

MC __	Powder Coat	+0
PM01	Polished Chrome	+558
PM02	Satin Nickel	+558
PM03	Oil Rubbed Bronze	+1,277

Step 7. Microphone and/or Grommet Accommodations: Optional

MA __	Microphone hole (factory cut)	Qty __ x 377 each
GM __	2" Grommet Hole (factory cut), liner, lid, in matching metal finish	Qty __ x 496 each

Step 8. Power & Connectivity Access: Optional

TMHW	Tabletop, Metal lid, Hardwired, Qty 3	+14,382
TMPI	Tabletop, Metal lid, Plug In, Qty 3	+12,429
TMLK	Tabletop, Metal lid, Linkable, Qty 3	+11,327
UMHW	Undermount, Hardwired, Qty 4	+4,788
UMPI	Undermount, Plug In, Qty 4	+3,480
UMLK	Undermount, Linkable, Qty 4	+3,480
SOHW	Undermount Slide-out, Hardwired, Qty 4	+8,340
SOPI	Undermount Slide-out, Plug In, Qty 4	+7,076
SOLK	Undermount Slide-out, Linkable, Qty 4	+7,076

Wire Management Column (sold separately)

Required with any technology selection

Pattern Number: 02WMC6X6	+266
Pattern Number: 02WMC10X10	+1,038

Step 1. Metal Finish for Wire Management Column

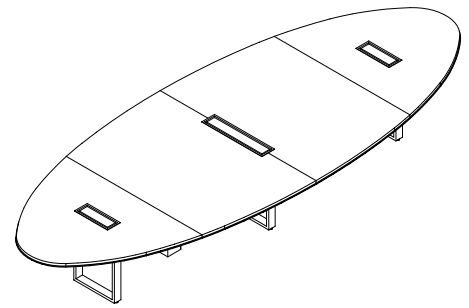
	6x6	10x10
MC __	Powder Coat	+0 +0
PM01	Polished Chrome	+1,252 +571
PM02	Satin Nickel	+1,252 +571
PM03	Oil Rubbed Bronze	+1,874 +2,607

Please consult [page 7](#) for the palette of DatesWeiser finishes. Natural stone, non-standard glass and veneer, and other technology options are available. Please email customerservice@datesweiser.com for a custom quote. Consult technical information on [page 277](#) for construction details and technical information.

Highline Elliptical Conference Table

72"x192" / 10 Person

02E72X192



Starting Price: **\$34,494**

72x192 table, veneer Tier 1 top with metal edge, open base, powder coat metal finish

Base Pattern Number: 02E72X192

Step 1. Top Material

V	Veneer
G	Glass
C	Corian
Q	Caesarstone

Step 2. Edge Selection

N __	No Edge
L __	Leather Edge
M __	Metal Edge

Step 3. Base Type

BL	Base Loop	+0
-----------	-----------	----

Step 4. Edge Finish

N __	No Edge	+0
AU __	Spinneybeck Leather: Acqua	+4,627
MC __	Powder Coat	+0
PM01	Polished Chrome	+2,656
PM02	Satin Nickel	+2,656
PM03	Oil Rubbed Bronze	+6,960

Step 5. Top Finish

T1 __	Veneer Tier 1	+0
T2 __	Veneer Tier 2	+2,595
GC __	Clear Glass, back painted	+19,080
GE __	Etched matte Glass, back painted	+22,606
CS01	Corian Glacier White	+27,053
QS __	Caesarstone	Contact Rep.

Step 6. Base Finish

MC __	Powder Coat	+0
PM01	Polished Chrome	+558
PM02	Satin Nickel	+558
PM03	Oil Rubbed Bronze	+1,360

Step 7. Microphone and/or Grommet Accommodations: Optional

MA __	Microphone hole (factory cut)	Qty __ x 377 each
GM __	2" Grommet Hole (factory cut), liner, lid, in matching metal finish	Qty __ x 496 each

Step 8. Power & Connectivity Access: Optional

TMHW	Tabletop, Metal lid, Hardwired, Qty 3	+14,382
TMPI	Tabletop, Metal lid, Plug In, Qty 3	+12,429
TMLK	Tabletop, Metal lid, Linkable, Qty 3	+11,327
UMHW	Undermount, Hardwired, Qty 4	+4,788
UMPI	Undermount, Plug In, Qty 4	+3,480
UMLK	Undermount, Linkable, Qty 4	+3,480
SOHW	Undermount Slide-out, Hardwired, Qty 4	+8,340
SOPI	Undermount Slide-out, Plug In, Qty 4	+7,076
SOLK	Undermount Slide-out, Linkable, Qty 4	+7,076

Wire Management Column (sold separately)

Required with any technology selection

Pattern Number: 02WMC6X6	+266
Pattern Number: 02WMC10X10	+1,038

Step 1. Metal Finish for Wire Management Column

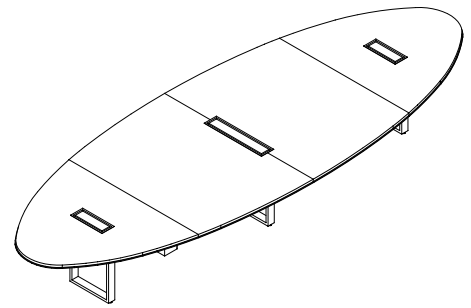
	6x6	10x10
MC __	Powder Coat	+0 +0
PM01	Polished Chrome	+1,252 +571
PM02	Satin Nickel	+1,252 +571
PM03	Oil Rubbed Bronze	+1,874 +2,607

Please consult [page 7](#) for the palette of DatesWeiser finishes. Natural stone, non-standard glass and veneer, and other technology options are available. Please email customerservice@datesweiser.com for a custom quote. Consult technical information on [page 277](#) for construction details and technical information.

Highline Elliptical Conference Table

72"x204"/ 10 Person

02E72X204



Starting Price: **\$35,646**

72x204 table, veneer Tier 1 top with metal edge, open base, powder coat metal finish

Base Pattern Number: 02E72X204

Step 1. Top Material

V	Veneer
G	Glass
C	Corian
Q	Caesarstone

Step 2. Edge Selection

N __	No Edge
L __	Leather Edge
M __	Metal Edge

Step 3. Base Type

BL	Base Loop	+0
-----------	-----------	----

Step 4. Edge Finish

N __	No Edge	+0
AU __	Spinneybeck Leather: Acqua	+4,863
MC __	Powder Coat	+0
PM01	Polished Chrome	+2,656
PM02	Satin Nickel	+2,656
PM03	Oil Rubbed Bronze	+6,960

Step 5. Top Finish

T1 __	Veneer Tier 1	+0
T2 __	Veneer Tier 2	+2,754
GC __	Clear Glass, back painted	+20,229
GE __	Etched matte Glass, back painted	+23,974
CS01	Corian Glacier White	+28,743
QS __	Caesarstone	Contact Rep.

Step 6. Base Finish

MC __	Powder Coat	+0
PM01	Polished Chrome	+558
PM02	Satin Nickel	+558
PM03	Oil Rubbed Bronze	+1,360

Step 7. Microphone and/or Grommet Accommodations: Optional

MA __	Microphone hole (factory cut)	Qty __ x 377 each
GM __	2" Grommet Hole (factory cut), liner, lid, in matching metal finish	Qty __ x 496 each

Step 8. Power & Connectivity Access: Optional

TMHW	Tabletop, Metal lid, Hardwired, Qty 3	+14,382
TMPI	Tabletop, Metal lid, Plug In, Qty 3	+12,429
TMLK	Tabletop, Metal lid, Linkable, Qty 3	+11,327
UMHW	Undermount, Hardwired, Qty 4	+4,788
UMPI	Undermount, Plug In, Qty 4	+3,480
UMLK	Undermount, Linkable, Qty 4	+3,480
SOHW	Undermount Slide-out, Hardwired, Qty 4	+8,340
SOPI	Undermount Slide-out, Plug In, Qty 4	+7,076
SOLK	Undermount Slide-out, Linkable, Qty 4	+7,076

Wire Management Column (sold separately)

Required with any technology selection

Pattern Number: 02WMC6X6	+266
Pattern Number: 02WMC10X10	+1,038

Step 1. Metal Finish for Wire Management Column

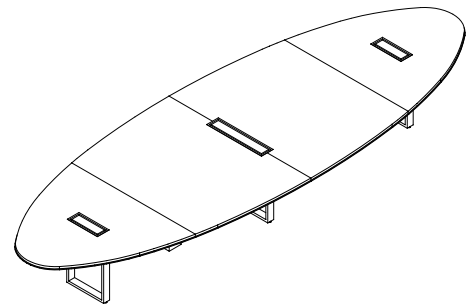
	6x6	10x10
MC __	Powder Coat	+0 +0
PM01	Polished Chrome	+1,252 +571
PM02	Satin Nickel	+1,252 +571
PM03	Oil Rubbed Bronze	+1,874 +2,607

Please consult [page 7](#) for the palette of DatesWeiser finishes. Natural stone, non-standard glass and veneer, and other technology options are available. Please email customerservice@datesweiser.com for a custom quote. Consult technical information on [page 277](#) for construction details and technical information.

Highline Elliptical Conference Table

72"x216" / 10 Person

02E72X216



Starting Price: **\$37,495**

72x216 table, veneer Tier 1 top with metal edge, open base, powder coat metal finish

Base Pattern Number: 02E72X216

Step 1. Top Material

V	Veneer
G	Glass
C	Corian
Q	Caesarstone

Step 2. Edge Selection

N __	No Edge
L __	Leather Edge
M __	Metal Edge

Step 3. Base Type

BL	Base Loop	+0
-----------	-----------	----

Step 4. Edge Finish

N __	No Edge	+0
AU __	Spinneybeck Leather: Acqua	+5,099
MC __	Powder Coat	+0
PM01	Polished Chrome	+2,656
PM02	Satin Nickel	+2,656
PM03	Oil Rubbed Bronze	+6,960

Step 5. Top Finish

T1 __	Veneer Tier 1	+0
T2 __	Veneer Tier 2	+2,916
GC __	Clear Glass, back painted	+21,409
GE __	Etched matte Glass, back painted	+25,374
CS01	Corian Glacier White	+30,434
QS __	Caesarstone	Contact Rep.

Step 6. Base Finish

MC __	Powder Coat	+0
PM01	Polished Chrome	+558
PM02	Satin Nickel	+558
PM03	Oil Rubbed Bronze	+1,360

Step 7. Microphone and/or Grommet Accommodations: Optional

MA __	Microphone hole (factory cut)	Qty __ x 377 each
GM __	2" Grommet Hole (factory cut), liner, lid, in matching metal finish	Qty __ x 496 each

Step 8. Power & Connectivity Access: Optional

TMHW	Tabletop, Metal lid, Hardwired, Qty 3	+14,382
TMPI	Tabletop, Metal lid, Plug In, Qty 3	+12,429
TMLK	Tabletop, Metal lid, Linkable, Qty 3	+11,327
UMHW	Undermount, Hardwired, Qty 4	+4,788
UMPI	Undermount, Plug In, Qty 4	+3,480
UMLK	Undermount, Linkable, Qty 4	+3,480
SOHW	Undermount Slide-out, Hardwired, Qty 4	+8,340
SOPI	Undermount Slide-out, Plug In, Qty 4	+7,076
SOLK	Undermount Slide-out, Linkable, Qty 4	+7,076

Wire Management Column (sold separately)

Required with any technology selection

Pattern Number: 02WMC6X6	+266
Pattern Number: 02WMC10X10	+1,038

Step 1. Metal Finish for Wire Management Column

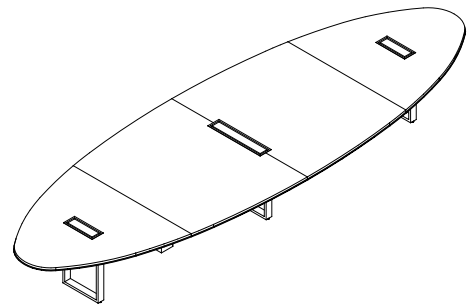
	6x6	10x10
MC __	Powder Coat	+0 +0
PM01	Polished Chrome	+1,252 +571
PM02	Satin Nickel	+1,252 +571
PM03	Oil Rubbed Bronze	+1,874 +2,607

Please consult [page 7](#) for the palette of DatesWeiser finishes. Natural stone, non-standard glass and veneer, and other technology options are available. Please email customerservice@datesweiser.com for a custom quote. Consult technical information on [page 277](#) for construction details and technical information.

Highline Elliptical Conference Table

72"x228"/ 12 Person

02E72X228



Starting Price: **\$38,106**

72x228 table, veneer Tier 1 top with metal edge, open base, powder coat metal finish

Base Pattern Number: 02E72X228

Step 1. Top Material

V	Veneer
G	Glass
C	Corian
Q	Caesarstone

Step 2. Edge Selection

N __	No Edge
L __	Leather Edge
M __	Metal Edge

Step 3. Base Type

BL	Base Loop	+0
-----------	-----------	----

Step 4. Edge Finish

N __	No Edge	+0
AU __	Spinneybeck Leather: Acqua	+5,338
MC __	Powder Coat	+0
PM01	Polished Chrome	+2,702
PM02	Satin Nickel	+2,702
PM03	Oil Rubbed Bronze	+7,006

Step 5. Top Finish

T1 __	Veneer Tier 1	+0
T2 __	Veneer Tier 2	+3,078
GC __	Clear Glass, back painted	+22,537
GE __	Etched matte Glass, back painted	+26,721
CS01	Corian Glacier White	+32,124
QS __	Caesarstone*	Contact Rep.

Step 6. Base Finish

MC __	Powder Coat	+0
PM01	Polished Chrome	+558
PM02	Satin Nickel	+558
PM03	Oil Rubbed Bronze	+1,360

Step 7. Microphone and/or Grommet Accommodations: Optional

MA __	Microphone hole (factory cut)	Qty __ x 377 each
GM __	2" Grommet Hole (factory cut), liner, lid, in matching metal finish	Qty __ x 496 each

Step 8. Power & Connectivity Access: Optional

TMHW	Tabletop, Metal lid, Hardwired, Qty 3	+14,382
TMPI	Tabletop, Metal lid, Plug In, Qty 3	+12,429
TMLK	Tabletop, Metal lid, Linkable, Qty 3	+11,327
UMHW	Undermount, Hardwired, Qty 6	+7,182
UMPI	Undermount, Plug In, Qty 6	+5,220
UMLK	Undermount, Linkable, Qty 6	+5,220
SOHW	Undermount Slide-out, Hardwired, Qty 6	+12,510
SOPI	Undermount Slide-out, Plug In, Qty 6	+10,614
SOLK	Undermount Slide-out, Linkable, Qty	+10,614

Wire Management Column (sold separately)

Required with any technology selection

Pattern Number: 02WMC6X6	+266
Pattern Number: 02WMC10X10	+1,038

Step 1. Metal Finish for Wire Management Column

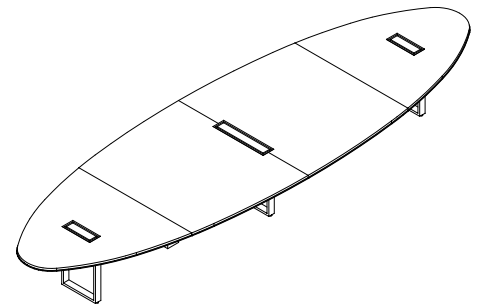
	6x6	10x10
MC __	Powder Coat	+0 +0
PM01	Polished Chrome	+1,252 +571
PM02	Satin Nickel	+1,252 +571
PM03	Oil Rubbed Bronze	+1,874 +2,607

Please consult [page 7](#) for the palette of DatesWeiser finishes. Natural stone, non-standard glass and veneer, and other technology options are available. Please email customerservice@datesweiser.com for a custom quote. Consult technical information on [page 277](#) for construction details and technical information.

Highline Elliptical Conference Table

72"x240"/ 20 Person

02E72X240



Starting Price: **\$40,553**

72x240 table, veneer Tier 1 top with metal edge, open base, powder coat metal finish

Base Pattern Number: 02E72X240

Step 1. Top Material

V	Veneer
G	Glass
C	Corian
Q	Caesarstone

Step 2. Edge Selection

N __	No Edge
L __	Leather Edge
M __	Metal Edge

Step 3. Base Type

BL	Base Loop	+0
-----------	-----------	----

Step 4. Edge Finish

N __	No Edge	+0
AU __	Spinneybeck Leather: Acqua	+5,577
MC __	Powder Coat	+0
PM01	Polished Chrome	+2,702
PM02	Satin Nickel	+2,702
PM03	Oil Rubbed Bronze	+7,006

Step 5. Top Finish

T1 __	Veneer Tier 1	+0
T2 __	Veneer Tier 2	+3,241
GC __	Clear Glass, back painted	+23,742
GE __	Etched matte Glass, back painted	+28,147
CS01	Corian Glacier White	+33,816
QS __	Caesarstone*	Contact Rep.

Step 6. Base Finish

MC __	Powder Coat	+0
PM01	Polished Chrome	+558
PM02	Satin Nickel	+558
PM03	Oil Rubbed Bronze	+1,360

Step 7. Microphone and/or Grommet Accommodations: Optional

MA __	Microphone hole (factory cut)	Qty __ x 377 each
GM __	2" Grommet Hole (factory cut), liner, lid, in matching metal finish	Qty __ x 496 each

Step 8. Power & Connectivity Access: Optional

TMHW	Tabletop, Metal lid, Hardwired, Qty 3	+14,382
TMPI	Tabletop, Metal lid, Plug In, Qty 3	+12,429
TMLK	Tabletop, Metal lid, Linkable, Qty 3	+11,327
UMHW	Undermount, Hardwired, Qty 6	+7,182
UMPI	Undermount, Plug In, Qty 6	+5,220
UMLK	Undermount, Linkable, Qty 6	+5,220
SOHW	Undermount Slide-out, Hardwired, Qty 6	+12,510
SOPI	Undermount Slide-out, Plug In, Qty 6	+10,614
SOLK	Undermount Slide-out, Linkable, Qty	+10,614

Wire Management Column (sold separately)

Required with any technology selection

Pattern Number: 02WMC6X6	+266
Pattern Number: 02WMC10X10	+1,038

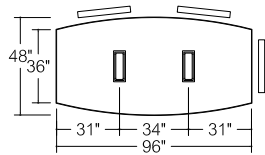
Step 1. Metal Finish for Wire Management Column

	6x6	10x10
MC __	Powder Coat	+0 +0
PM01	Polished Chrome	+1,252 +571
PM02	Satin Nickel	+1,252 +571
PM03	Oil Rubbed Bronze	+1,874 +2,607

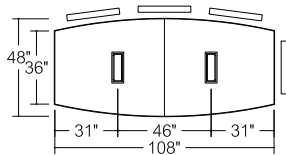
Please consult [page 7](#) for the palette of DatesWeiser finishes. Natural stone, non-standard glass and veneer, and other technology options are available. Please email customerservice@datesweiser.com for a custom quote. Consult technical information on [page 277](#) for construction details and technical information.

Highline Boat Shaped Tables Index

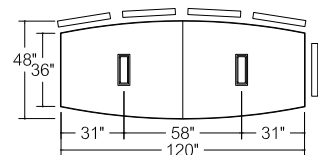
48"-72" width



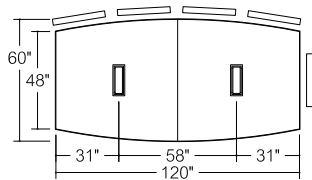
O2B48X96
6 Person Table



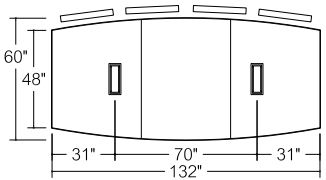
O2B48X108
8 Person Table



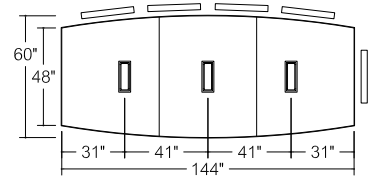
O2B48X120
10 Person Table



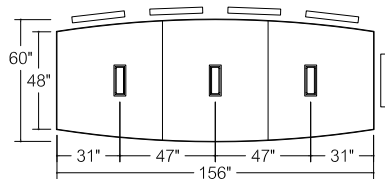
O2B60X120
10 Person Table



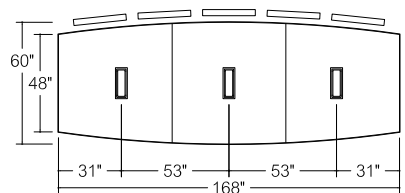
O2B60X132
10 Person Table



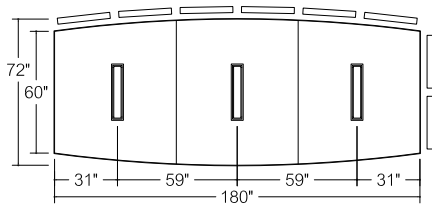
O2B60X144
10 Person Table



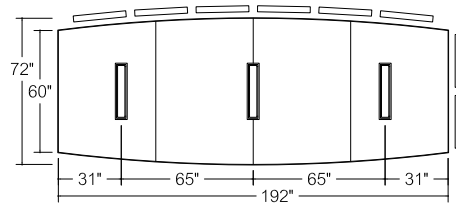
O2B60X156
10 Person Table



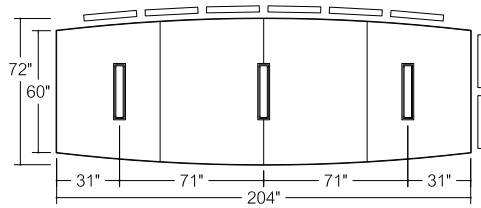
O2B60X168
12 Person Table



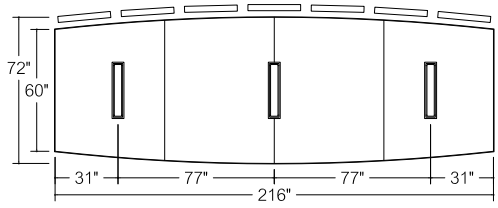
02B72X180
16 Person Table



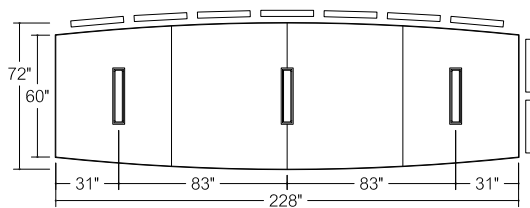
02B72X192
16 Person Table



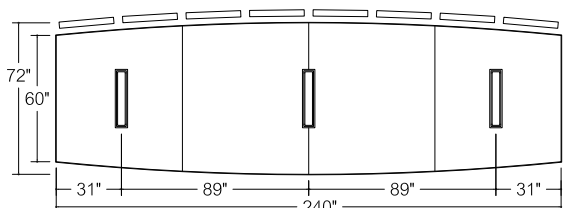
02B72X204
16 Person Table



02B72X216
18 Person Table



02B72X228
18 Person Table

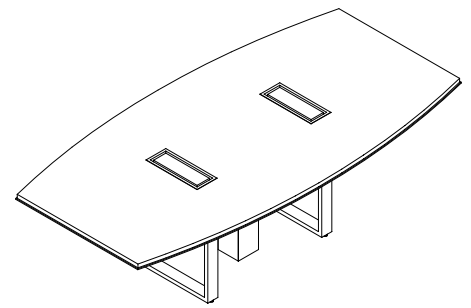


02B72X240
20 Person Table

Highline Boat Conference Table

48"x96"/ 6 Person

02B48X96



Starting Price: **\$18,340**

48/36x96 table, veneer Tier 1 top with metal edge, open base, powder coat metal finish

Base Pattern Number: 02B48X96

Step 1. Top Material

V	Veneer
G	Glass
C	Corian
Q	Caesarstone

Step 2. Edge Selection

N __	No Edge
L __	Leather Edge
M __	Metal Edge

Step 3. Base Type

BL	Base Loop	+0
-----------	-----------	----

Step 4. Edge Finish

N __	No Edge	+0
AU __	Spinneybeck Leather: Acqua	+2,833
MC __	Powder Coat	+0
PM01	Polished Chrome	+2,117
PM02	Satin Nickel	+2,117
PM03	Oil Rubbed Bronze	+5,357

Step 5. Top Finish

T1 __	Veneer Tier 1	+0
T2 __	Veneer Tier 2	+865
GC __	Clear Glass, back painted	+6,649
GE __	Etched matte Glass, back painted	+7,824
CS01	Corian Glacier White	+9,018
QS __	Caesarstone	Contact Rep.

Step 6. Base Finish

MC __	Powder Coat	+0
PM01	Polished Chrome	+378
PM02	Satin Nickel	+378
PM03	Oil Rubbed Bronze	+740

Step 7. Microphone and/or Grommet Accommodations: Optional

MA __	Microphone hole (factory cut)	Qty __ x 377 each
GM __	2" Grommet Hole (factory cut), liner, lid, in matching metal finish	Qty __ x 496 each

Step 8. Power & Connectivity Access: Optional

TMHW	Tabletop, Metal lid, Hardwired, Qty 2	+8,796
TMPI	Tabletop, Metal lid, Plug In, Qty 2	+7,496
TMLK	Tabletop, Metal lid, Linkable, Qty 2	+6,394
UMHW	Undermount, Hardwired, Qty 4	+4,788
UMPI	Undermount, Plug In, Qty 4	+3,480
UMLK	Undermount, Linkable, Qty 4	+3,480
SOHW	Undermount Slide-out, Hardwired, Qty 4	+8,340
SOPI	Undermount Slide-out, Plug In, Qty 4	+7,076
SOLK	Undermount Slide-out, Linkable, Qty 4	+7,076

Wire Management Column (sold separately)

Required with any technology selection

Pattern Number: 02WMC6X6	+266
Pattern Number: 02WMC10X10	+1,038

Step 1. Metal Finish for Wire Management Column

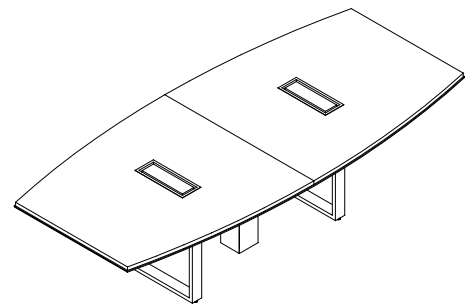
	6x6	10x10
MC __	Powder Coat	+0 +0
PM01	Polished Chrome	+1,252 +571
PM02	Satin Nickel	+1,252 +571
PM03	Oil Rubbed Bronze	+1,874 +2,607

Please consult [page 7](#) for the palette of DatesWeiser finishes. Natural stone, non-standard glass and veneer, and other technology options are available. Please email customerservice@datesweiser.com for a custom quote. Consult technical information on [page 277](#) for construction details and technical information.

Highline Boat Conference Table

48"x108"/ 8 Person

02B48X108



Starting Price: **\$18,882**

48/36x108 table, veneer Tier 1 top with metal edge, open base, powder coat metal finish

Base Pattern Number: 02B48X108

Step 1. Top Material

V	Veneer
G	Glass
C	Corian
Q	Caesarstone

Step 2. Edge Selection

N __	No Edge
L __	Leather Edge
M __	Metal Edge

Step 3. Base Type

BL	Base Loop	+0
-----------	-----------	----

Step 4. Edge Finish

N __	No Edge	+0
AU __	Spinneybeck Leather: Acqua	+3,085
MC __	Powder Coat	+0
PM01	Polished Chrome	+2,117
PM02	Satin Nickel	+2,117
PM03	Oil Rubbed Bronze	+5,358

Step 5. Top Finish

T1 __	Veneer Tier 1	+0
T2 __	Veneer Tier 2	+974
GC __	Clear Glass, back painted	+7,407
GE __	Etched matte Glass, back painted	+8,729
CS01	Corian Glacier White	+10,146
QS __	Caesarstone	Contact Rep.

Step 6. Base Finish

MC __	Powder Coat	+0
PM01	Polished Chrome	+378
PM02	Satin Nickel	+378
PM03	Oil Rubbed Bronze	+740

Step 7. Microphone and/or Grommet Accommodations: Optional

MA __	Microphone hole (factory cut)	Qty __ x 377 each
GM __	2" Grommet Hole (factory cut), liner, lid, in matching metal finish	Qty __ x 496 each

Step 8. Power & Connectivity Access: Optional

TMHW	Tabletop, Metal lid, Hardwired, Qty 2	+8,796
TMPI	Tabletop, Metal lid, Plug In, Qty 2	+7,496
TMLK	Tabletop, Metal lid, Linkable, Qty 2	+6,394
UMHW	Undermount, Hardwired, Qty 4	+4,788
UMPI	Undermount, Plug In, Qty 4	+3,480
UMLK	Undermount, Linkable, Qty 4	+3,480
SOHW	Undermount Slide-out, Hardwired, Qty 4	+8,340
SOPI	Undermount Slide-out, Plug In, Qty 4	+7,076
SOLK	Undermount Slide-out, Linkable, Qty 4	+7,076

Wire Management Column (sold separately)

Required with any technology selection

Pattern Number: 02WMC6X6	+266
Pattern Number: 02WMC10X10	+1,038

Step 1. Metal Finish for Wire Management Column

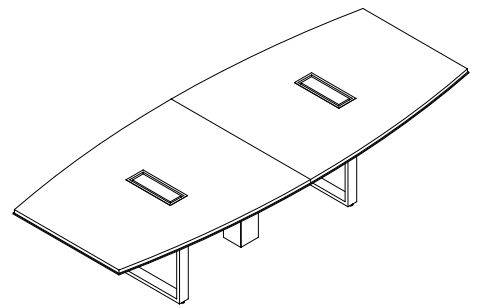
	6x6	10x10
MC __	Powder Coat	+0 +0
PM01	Polished Chrome	+1,252 +571
PM02	Satin Nickel	+1,252 +571
PM03	Oil Rubbed Bronze	+1,874 +2,607

Please consult [page 7](#) for the palette of DatesWeiser finishes. Natural stone, non-standard glass and veneer, and other technology options are available. Please email customerservice@datesweiser.com for a custom quote. Consult technical information on [page 277](#) for construction details and technical information.

Highline Boat Conference Table

48"x120"/ 10 Person

02B48X120



Starting Price: **\$20,059**

48/36x120 table, veneer Tier 1 top with metal edge, open base, powder coat metal finish

Base Pattern Number: 02B48X120

Step 1. Top Material

V	Veneer
G	Glass
C	Corian
Q	Caesarstone

Step 2. Edge Selection

N __	No Edge
L __	Leather Edge
M __	Metal Edge

Step 3. Base Type

BL	Base Loop	+0
-----------	-----------	----

Step 4. Edge Finish

N __	No Edge	+0
AU __	Spinneybeck Leather: Acqua	+3,335
MC __	Powder Coat	+0
PM01	Polished Chrome	+2,126
PM02	Satin Nickel	+2,126
PM03	Oil Rubbed Bronze	+5,369

Step 5. Top Finish

T1 __	Veneer Tier 1	+0
T2 __	Veneer Tier 2	+1,080
GC __	Clear Glass, back painted	+8,191
GE __	Etched matte Glass, back painted	+9,659
CS01	Corian Glacier White	+11,272
QS __	Caesarstone	Contact Rep.

Step 6. Base Finish

MC __	Powder Coat	+0
PM01	Polished Chrome	+378
PM02	Satin Nickel	+378
PM03	Oil Rubbed Bronze	+740

Step 7. Microphone and/or Grommet Accommodations: Optional

MA __	Microphone hole (factory cut)	Qty __ x 377 each
GM __	2" Grommet Hole (factory cut), liner, lid, in matching metal finish	Qty __ x 496 each

Step 8. Power & Connectivity Access: Optional

TMHW	Tabletop, Metal lid, Hardwired, Qty 2	+8,796
TMPI	Tabletop, Metal lid, Plug In, Qty 2	+7,496
TMLK	Tabletop, Metal lid, Linkable, Qty 2	+6,394
UMHW	Undermount, Hardwired, Qty 6	+7,182
UMPI	Undermount, Plug In, Qty 6	+5,220
UMLK	Undermount, Linkable, Qty 6	+5,220
SOHW	Undermount Slide-out, Hardwired, Qty 6	+12,510
SOPI	Undermount Slide-out, Plug In, Qty 6	+10,614
SOLK	Undermount Slide-out, Linkable, Qty 6	+10,614

Wire Management Column (sold separately)

Required with any technology selection

Pattern Number: 02WMC6X6	+266
Pattern Number: 02WMC10X10	+1038

Step 1. Metal Finish for Wire Management Column

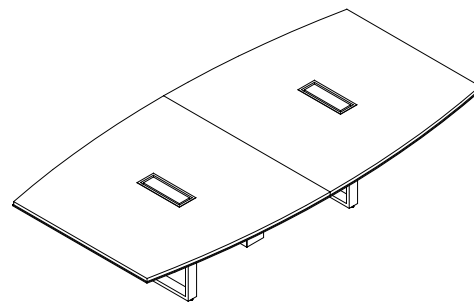
		6x6	10x10
MC __	Powder Coat	+0	+0
PM01	Polished Chrome	+1,252	+571
PM02	Satin Nickel	+1,252	+571
PM03	Oil Rubbed Bronze	+1,874	+2,607

Please consult [page 7](#) for the palette of DatesWeiser finishes. Natural stone, non-standard glass and veneer, and other technology options are available. Please email customerservice@datesweiser.com for a custom quote. Consult technical information on [page 277](#) for construction details and technical information.

Highline Boat Conference Table

60"x120"/ 10 Person

02B60X120



Starting Price: **\$20,289**

60/48 x120 table, veneer Tier 1 top with metal edge, open base, powder coat metal finish

Base Pattern Number: 02B60X120

Step 1. Top Material

V	Veneer
G	Glass
C	Corian
Q	Caesarstone

Step 2. Edge Selection

N __	No Edge
L __	Leather Edge
M __	Metal Edge

Step 3. Base Type

BL	Base Loop	+0
-----------	-----------	----

Step 4. Edge Finish

N __	No Edge	+0
AU __	Spinneybeck Leather: Acqua	+3,588
MC __	Powder Coat	+0
PM01	Polished Chrome	+2,126
PM02	Satin Nickel	+2,126
PM03	Oil Rubbed Bronze	+5,369

Step 5. Top Finish

T1 __	Veneer Tier 1	+0
T2 __	Veneer Tier 2	+1,352
GC __	Clear Glass, back painted	+10,036
GE __	Etched matte Glass, back painted	+11,872
CS01	Corian Glacier White	+14,090
QS __	Caesarstone	Contact Rep.

Step 6. Base Finish

MC __	Powder Coat	+0
PM01	Polished Chrome	+359
PM02	Satin Nickel	+359
PM03	Oil Rubbed Bronze	+1,240

Step 7. Microphone and/or Grommet Accommodations: Optional

MA __	Microphone hole (factory cut)	Qty __ x 377 each
GM __	2" Grommet Hole (factory cut), liner, lid, in matching metal finish	Qty __ x 496 each

Step 8. Power & Connectivity Access: Optional

TMHW	Tabletop, Metal lid, Hardwired, Qty 2	+8,796
TMPI	Tabletop, Metal lid, Plug In, Qty 2	+7,496
TMLK	Tabletop, Metal lid, Linkable, Qty 2	+6,394
UMHW	Undermount, Hardwired, Qty 6	+7,182
UMPI	Undermount, Plug In, Qty 6	+5,220
UMLK	Undermount, Linkable, Qty 6	+5,220
SOHW	Undermount Slide-out, Hardwired, Qty 6	+12,510
SOPI	Undermount Slide-out, Plug In, Qty 6	+10,614
SOLK	Undermount Slide-out, Linkable, Qty 6	+10,614

Wire Management Column (sold separately)

Required with any technology selection

Pattern Number: 02WMC6X6	+266
Pattern Number: 02WMC10X10	+1038

Step 1. Metal Finish for Wire Management Column

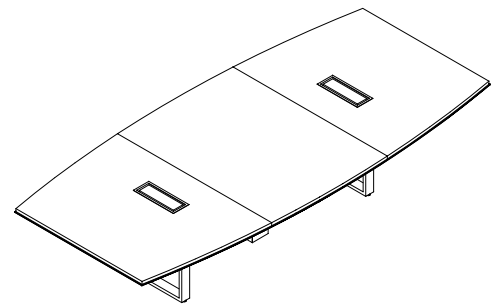
	6x6	10x10
MC __	Powder Coat	+0 +0
PM01	Polished Chrome	+1,252 +571
PM02	Satin Nickel	+1,252 +571
PM03	Oil Rubbed Bronze	+1,874 +2,607

Please consult [page 7](#) for the palette of DatesWeiser finishes. Natural stone, non-standard glass and veneer, and other technology options are available. Please email customerservice@datesweiser.com for a custom quote. Consult technical information on [page 277](#) for construction details and technical information.

Highline Boat Conference Table

60"x132"/ 10 Person

02B60X132



Starting Price: **\$23,832**

60/48x132 table, veneer Tier 1 top with metal edge, open base, powder coat metal finish

Base Pattern Number: 02B60X132

Step 1. Top Material

V	Veneer
G	Glass
C	Corian
Q	Caesarstone

Step 2. Edge Selection

N __	No Edge
L __	Leather Edge
M __	Metal Edge

Step 3. Base Type

BL	Base Loop	+0
-----------	-----------	----

Step 4. Edge Finish

N __	No Edge	+0
AU __	Spinneybeck Leather: Acqua	+3,841
MC __	Powder Coat	+0
PM01	Polished Chrome	+2,862
PM02	Satin Nickel	+2,862
PM03	Oil Rubbed Bronze	+7,143

Step 5. Top Finish

T1 __	Veneer Tier 1	+0
T2 __	Veneer Tier 2	+1,484
GC __	Clear Glass, back painted	+11,102
GE __	Etched matte Glass, back painted	+13,121
CS01	Corian Glacier White	+15,498
QS __	Caesarstone	Contact Rep.

Step 6. Base Finish

MC __	Powder Coat	+0
PM01	Polished Chrome	+359
PM02	Satin Nickel	+359
PM03	Oil Rubbed Bronze	+1,240

Step 7. Microphone and/or Grommet Accommodations: Optional

MA __	Microphone hole (factory cut)	Qty __ x 377 each
GM __	2" Grommet Hole (factory cut), liner, lid, in matching metal finish	Qty __ x 496 each

Step 8. Power & Connectivity Access: Optional

TMHW	Tabletop, Metal lid, Hardwired, Qty 2	+8,796
TMPI	Tabletop, Metal lid, Plug In, Qty 2	+7,496
TMLK	Tabletop, Metal lid, Linkable, Qty 2	+6,394
UMHW	Undermount, Hardwired, Qty 6	+7,182
UMPI	Undermount, Plug In, Qty 6	+5,220
UMLK	Undermount, Linkable, Qty 6	+5,220
SOHW	Undermount Slide-out, Hardwired, Qty 6	+12,510
SOPI	Undermount Slide-out, Plug In, Qty 6	+10,614
SOLK	Undermount Slide-out, Linkable, Qty 6	+10,614

Wire Management Column (sold separately)

Required with any technology selection

Pattern Number: 02WMC6X6	+266
Pattern Number: 02WMC10X10	+1038

Step 1. Metal Finish for Wire Management Column

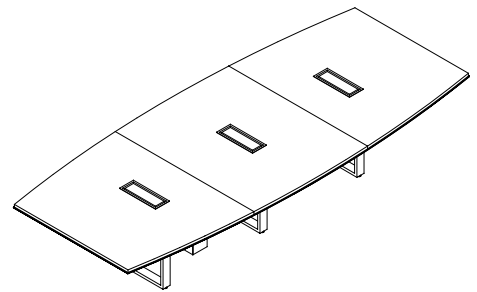
		6x6	10x10
MC __	Powder Coat	+0	+0
PM01	Polished Chrome	+1,252	+571
PM02	Satin Nickel	+1,252	+571
PM03	Oil Rubbed Bronze	+1,874	+2,607

Please consult [page 7](#) for the palette of DatesWeiser finishes. Natural stone, non-standard glass and veneer, and other technology options are available. Please email customerservice@datesweiser.com for a custom quote. Consult technical information on [page 277](#) for construction details and technical information.

Highline Boat Conference Table

60"x144"/ 10 Person

02B60X144



Starting Price: **\$26,677**

60/48x144 table, veneer Tier 1 top with metal edge, open base, powder coat metal finish

Base Pattern Number: 02B60X144

Step 1. Top Material

V	Veneer
G	Glass
C	Corian
Q	Caesarstone

Step 2. Edge Selection

N __	No Edge
L __	Leather Edge
M __	Metal Edge

Step 3. Base Type

BL	Base Loop	+0
-----------	-----------	----

Step 4. Edge Finish

N __	No Edge	+0
AU __	Spinneybeck Leather: Acqua	+4,094
MC __	Powder Coat	+0
PM01	Polished Chrome	+2,793
PM02	Satin Nickel	+2,793
PM03	Oil Rubbed Bronze	+7,143

Step 5. Top Finish

T1 __	Veneer Tier 1	+0
T2 __	Veneer Tier 2	+1,620
GC __	Clear Glass, back painted	+12,141
GE __	Etched matte Glass, back painted	+14,344
CS01	Corian Glacier White	+16,908
QS __	Caesarstone	Contact Rep.

Step 6. Base Finish

MC __	Powder Coat	+0
PM01	Polished Chrome	+536
PM02	Satin Nickel	+539
PM03	Oil Rubbed Bronze	+1,859

Step 7. Microphone and/or Grommet Accommodations: Optional

MA __	Microphone hole (factory cut)	Qty __ x 377 each
GM __	2" Grommet Hole (factory cut), liner, lid, in matching metal finish	Qty __ x 496 each

Step 8. Power & Connectivity Access: Optional

TMHW	Tabletop, Metal lid, Hardwired, Qty 3	+13,194
TMPI	Tabletop, Metal lid, Plug In, Qty 3	+11,224
TMLK	Tabletop, Metal lid, Linkable, Qty 3	+9,591
UMHW	Undermount, Hardwired, Qty 6	+7,182
UMPI	Undermount, Plug In, Qty 6	+5,220
UMLK	Undermount, Linkable, Qty 6	+5,220
SOHW	Undermount Slide-out, Hardwired, Qty 6	+12,510
SOPI	Undermount Slide-out, Plug In, Qty 6	+10,614
SOLK	Undermount Slide-out, Linkable, Qty 6	+10,614

Wire Management Column (sold separately)

Required with any technology selection

Pattern Number: 02WMC6X6	+266
Pattern Number: 02WMC10X10	+1038

Step 1. Metal Finish for Wire Management Column

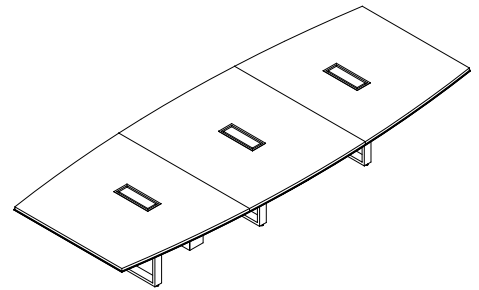
	6x6	10x10
MC __	Powder Coat	+0 +0
PM01	Polished Chrome	+1,252 +571
PM02	Satin Nickel	+1,252 +571
PM03	Oil Rubbed Bronze	+1,874 +2,607

Please consult [page 7](#) for the palette of DatesWeiser finishes. Natural stone, non-standard glass and veneer, and other technology options are available. Please email customerservice@datesweiser.com for a custom quote. Consult technical information on [page 277](#) for construction details and technical information.

Highline Boat Conference Table

60"x156"/ 10 Person

02B60X156



Starting Price: **\$27,556**

60/48x156 table, veneer Tier 1 top with metal edge, open base, powder coat metal finish

Base Pattern Number: 02B60X156

Step 1. Top Material

V	Veneer
G	Glass
C	Corian
Q	Caesarstone

Step 2. Edge Selection

N __	No Edge
L __	Leather Edge
M __	Metal Edge

Step 3. Base Type

BL	Base Loop	+0
-----------	-----------	----

Step 4. Edge Finish

N __	No Edge	+0
AU __	Spinneybeck Leather: Acqua	+4,345
MC __	Powder Coat	+0
PM01	Polished Chrome	+2,792
PM02	Satin Nickel	+2,792
PM03	Oil Rubbed Bronze	+7,142

Step 5. Top Finish

T1 __	Veneer Tier 1	+0
T2 __	Veneer Tier 2	+1,756
GC __	Clear Glass, back painted	+13,097
GE __	Etched matte Glass, back painted	+15,482
CS01	Corian Glacier White	+18,317
QS __	Caesarstone	Contact Rep.

Step 6. Base Finish

MC __	Powder Coat	+0
PM01	Polished Chrome	+539
PM02	Satin Nickel	+539
PM03	Oil Rubbed Bronze	+1,859

Step 7. Microphone and/or Grommet Accommodations: Optional

MA __	Microphone hole (factory cut)	Qty __ x 377 each
GM __	2" Grommet Hole (factory cut), liner, lid, in matching metal finish	Qty __ x 496 each

Step 8. Power & Connectivity Access: Optional

TMHW	Tabletop, Metal lid, Hardwired, Qty 3	+13,194
TMPI	Tabletop, Metal lid, Plug In, Qty 3	+11,224
TMLK	Tabletop, Metal lid, Linkable, Qty 3	+9,591
UMHW	Undermount, Hardwired, Qty 6	+7,182
UMPI	Undermount, Plug In, Qty 6	+5,220
UMLK	Undermount, Linkable, Qty 6	+5,220
SOHW	Undermount Slide-out, Hardwired, Qty 6	+12,510
SOPI	Undermount Slide-out, Plug In, Qty 6	+10,614
SOLK	Undermount Slide-out, Linkable, Qty 6	+10,614

Wire Management Column (sold separately)

Required with any technology selection

Pattern Number: 02WMC6X6	+266
Pattern Number: 02WMC10X10	+1038

Step 1. Metal Finish for Wire Management Column

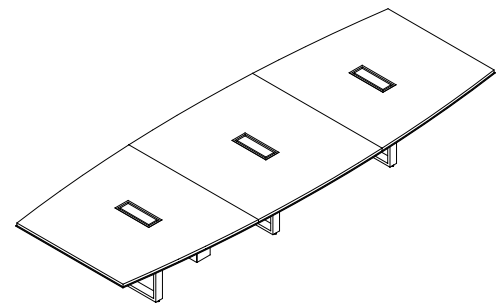
	6x6	10x10
MC __	Powder Coat	+0 +0
PM01	Polished Chrome	+1,252 +571
PM02	Satin Nickel	+1,252 +571
PM03	Oil Rubbed Bronze	+1,874 +2,607

Please consult [page 7](#) for the palette of DatesWeiser finishes. Natural stone, non-standard glass and veneer, and other technology options are available. Please email customerservice@datesweiser.com for a custom quote. Consult technical information on [page 277](#) for construction details and technical information.

Highline Boat Conference Table

60"x168"/ 12 Person

02B60X168



Starting Price: **\$29,344**

60/48x168 table, veneer Tier 1 top with metal edge, open base, powder coat metal finish

Base Pattern Number: 02B60X168

Step 1. Top Material

V	Veneer
G	Glass
C	Corian
Q	Caesarstone

Step 2. Edge Selection

N __	No Edge
L __	Leather Edge
M __	Metal Edge

Step 3. Base Type

BL	Base Loop	+0
-----------	-----------	----

Step 4. Edge Finish

N __	No Edge	+0
AU __	Spinneybeck Leather: Acqua	+4,600
MC __	Powder Coat	+0
PM01	Polished Chrome	+2,827
PM02	Satin Nickel	+2,827
PM03	Oil Rubbed Bronze	+7,143

Step 5. Top Finish

T1 __	Veneer Tier 1	+0
T2 __	Veneer Tier 2	+1,890
GC __	Clear Glass, back painted	+14,089
GE __	Etched matte Glass, back painted	+16,660
CS01	Corian Glacier White	+19,726
QS __	Caesarstone	Contact Rep.

Step 6. Base Finish

MC __	Powder Coat	+0
PM01	Polished Chrome	+539
PM02	Satin Nickel	+539
PM03	Oil Rubbed Bronze	+1,859

Step 7. Microphone and/or Grommet Accommodations: Optional

MA __	Microphone hole (factory cut)	Qty __ x 377 each
GM __	2" Grommet Hole (factory cut), liner, lid, in matching metal finish	Qty __ x 496 each

Step 8. Power & Connectivity Access: Optional

TMHW	Tabletop, Metal lid, Hardwired, Qty 3	+13,194
TMPI	Tabletop, Metal lid, Plug In, Qty 3	+11,224
TMLK	Tabletop, Metal lid, Linkable, Qty 3	+9,591
UMHW	Undermount, Hardwired, Qty 6	+7,182
UMPI	Undermount, Plug In, Qty 6	+5,220
UMLK	Undermount, Linkable, Qty 6	+5,220
SOHW	Undermount Slide-out, Hardwired, Qty 6	+12,510
SOPI	Undermount Slide-out, Plug In, Qty 6	+10,614
SOLK	Undermount Slide-out, Linkable, Qty 6	+10,614

Wire Management Column (sold separately)

Required with any technology selection

Pattern Number: 02WMC6X6	+266
Pattern Number: 02WMC10X10	+1038

Step 1. Metal Finish for Wire Management Column

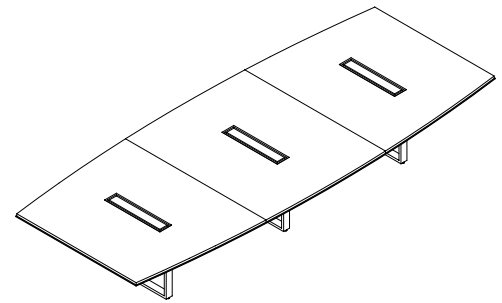
	6x6	10x10
MC __	Powder Coat	+0 +0
PM01	Polished Chrome	+1,252 +571
PM02	Satin Nickel	+1,252 +571
PM03	Oil Rubbed Bronze	+1,874 +2,607

Please consult [page 7](#) for the palette of DatesWeiser finishes. Natural stone, non-standard glass and veneer, and other technology options are available. Please email customerservice@datesweiser.com for a custom quote. Consult technical information on [page 277](#) for construction details and technical information.

Highline Boat Conference Table

72"x180"/ 16 Person

02B72X180



Starting Price: **\$34,984**

72/60x180 table, veneer Tier 1 top with metal edge, open base, powder coat metal finish

Base Pattern Number: 02B72X180

Step 1. Top Material

V	Veneer
G	Glass
C	Corian
Q	Caesarstone

Step 2. Edge Selection

N __	No Edge
L __	Leather Edge
M __	Metal Edge

Step 3. Base Type

BL	Base Loop	+0
-----------	-----------	----

Step 4. Edge Finish

N __	No Edge	+0
AU __	Spinneybeck Leather: Acqua	+5,103
MC __	Powder Coat	+0
PM01	Polished Chrome	+2,839
PM02	Satin Nickel	+2,839
PM03	Oil Rubbed Bronze	+7,143

Step 5. Top Finish

T1 __	Veneer Tier 1	+0
T2 __	Veneer Tier 2	+2,431
GC __	Clear Glass, back painted	+18,000
GE __	Etched matte Glass, back painted	+21,304
CS01	Corian Glacier White	+25,362
QS __	Caesarstone*	Contact Rep.

Step 6. Base Finish

MC __	Powder Coat	+0
PM01	Polished Chrome	+539
PM02	Satin Nickel	+539
PM03	Oil Rubbed Bronze	+1,859

Step 7. Microphone and/or Grommet Accommodations: Optional

MA __	Microphone hole (factory cut)	Qty __ x 377 each
GM __	2" Grommet Hole (factory cut), liner, lid, in matching metal finish	Qty __ x 496 each

Step 8. Power & Connectivity Access: Optional

TMHW	Tabletop, Metal lid, Hardwired, Qty 3	+16,758
TMPI	Tabletop, Metal lid, Plug In, Qty 3	+14,799
TMLK	Tabletop, Metal lid, Linkable, Qty 3	+14,799
UMHW	Undermount, Hardwired, Qty 8	+9,576
UMPI	Undermount, Plug In, Qty 8	+6,960
UMLK	Undermount, Linkable, Qty 8	+6,960
SOHW	Undermount Slide-out, Hardwired, Qty 8	+16,680
SOPI	Undermount Slide-out, Plug In, Qty 8	+14,152
SOLK	Undermount Slide-out, Linkable, Qty 8	+14,152

Wire Management Column (sold separately)

Required with any technology selection

Pattern Number: 02WMC6X6	+266
Pattern Number: 02WMC10X10	+1038

Step 1. Metal Finish for Wire Management Column

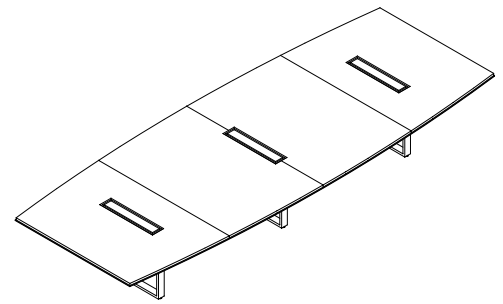
	6x6	10x10
MC __	Powder Coat	+0 +0
PM01	Polished Chrome	+1,252 +571
PM02	Satin Nickel	+1,252 +571
PM03	Oil Rubbed Bronze	+1,874 +2,607

Please consult [page 7](#) for the palette of DatesWeiser finishes. Natural stone, non-standard glass and veneer, and other technology options are available. Please email customerservice@datesweiser.com for a custom quote. Consult technical information on [page 277](#) for construction details and technical information.

Highline Boat Conference Table

72"x192"/ 16 Person

02B72X192



Starting Price: **\$36,931**

72/60x192 table, veneer Tier 1 top with metal edge, open base, powder coat metal finish

Base Pattern Number: 02B72X192

Step 1. Top Material

V	Veneer
G	Glass
C	Corian
Q	Caesarstone

Step 2. Edge Selection

N __	No Edge
L __	Leather Edge
M __	Metal Edge

Step 3. Base Type

BL	Base Loop	+0
-----------	-----------	----

Step 4. Edge Finish

N __	No Edge	+0
AU __	Spinneybeck Leather: Acqua	+5,358
MC __	Powder Coat	+0
PM01	Polished Chrome	+3,332
PM02	Satin Nickel	+3,332
PM03	Oil Rubbed Bronze	+8,713

Step 5. Top Finish

T1 __	Veneer Tier 1	+0
T2 __	Veneer Tier 2	+2,592
GC __	Clear Glass, back painted	+19,183
GE __	Etched matte Glass, back painted	+22,708
CS01	Corian Glacier White	+27,053
QS __	Caesarstone	Contact Rep.

Step 6. Base Finish

MC __	Powder Coat	+0
PM01	Polished Chrome	+539
PM02	Satin Nickel	+539
PM03	Oil Rubbed Bronze	+1,859

Step 7. Microphone and/or Grommet Accommodations: Optional

MA __	Microphone hole (factory cut)	Qty __ x 377 each
GM __	2" Grommet Hole (factory cut), liner, lid, in matching metal finish	Qty __ x 496 each

Step 8. Power & Connectivity Access: Optional

TMHW	Tabletop, Metal lid, Hardwired, Qty 3	+16,758
TMPI	Tabletop, Metal lid, Plug In, Qty 3	+14,799
TMLK	Tabletop, Metal lid, Linkable, Qty 3	+14,799
UMHW	Undermount, Hardwired, Qty 8	+9,576
UMPI	Undermount, Plug In, Qty 8	+6,960
UMLK	Undermount, Linkable, Qty 8	+6,960
SOHW	Undermount Slide-out, Hardwired, Qty 8	+16,680
SOPI	Undermount Slide-out, Plug In, Qty 8	+14,152
SOLK	Undermount Slide-out, Linkable, Qty 8	+14,152

Wire Management Column (sold separately)

Required with any technology selection

Pattern Number: 02WMC6X6	+266
Pattern Number: 02WMC10X10	+1038

Step 1. Metal Finish for Wire Management Column

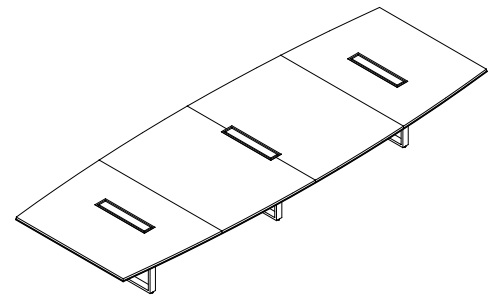
	6x6	10x10
MC __	Powder Coat	+0 +0
PM01	Polished Chrome	+1,252 +571
PM02	Satin Nickel	+1,252 +571
PM03	Oil Rubbed Bronze	+1,874 +2,607

Please consult [page 7](#) for the palette of DatesWeiser finishes. Natural stone, non-standard glass and veneer, and other technology options are available. Please email customerservice@datesweiser.com for a custom quote. Consult technical information on [page 277](#) for construction details and technical information.

Highline Boat Conference Table

72"x204"/ 16 Person

02B72X204



Starting Price: **\$38,071**

72/60x204 table, veneer Tier 1 top with metal edge, open base, powder coat metal finish

Base Pattern Number: 02B72X204

Step 1. Top Material

V	Veneer
G	Glass
C	Corian
Q	Caesarstone

Step 2. Edge Selection

N __	No Edge
L __	Leather Edge
M __	Metal Edge

Step 3. Base Type

BL	Base Loop	+0
-----------	-----------	----

Step 4. Edge Finish

N __	No Edge	+0
AU __	Spinneybeck Leather: Acqua	+5,611
MC __	Powder Coat	+0
PM01	Polished Chrome	+3,332
PM02	Satin Nickel	+3,332
PM03	Oil Rubbed Bronze	+8,713

Step 5. Top Finish

T1 __	Veneer Tier 1	+0
T2 __	Veneer Tier 2	+2,755
GC __	Clear Glass, back painted	+20,333
GE __	Etched matte Glass, back painted	+24,077
CS01	Corian Glacier White	+28,743
QS __	Caesarstone	Contact Rep.

Step 6. Base Finish

MC __	Powder Coat	+0
PM01	Polished Chrome	+539
PM02	Satin Nickel	+539
PM03	Oil Rubbed Bronze	+1,859t

Step 7. Microphone and/or Grommet Accommodations: Optional

MA __	Microphone hole (factory cut)	Qty __ x 377 each
GM __	2" Grommet Hole (factory cut), liner, lid, in matching metal finish	Qty __ x 496 each

Step 8. Power & Connectivity Access: Optional

TMHW	Tabletop, Metal lid, Hardwired, Qty 3	+16,758
TMPI	Tabletop, Metal lid, Plug In, Qty 3	+14,799
TMLK	Tabletop, Metal lid, Linkable, Qty 3	+14,799
UMHW	Undermount, Hardwired, Qty 8	+9,576
UMPI	Undermount, Plug In, Qty 8	+6,960
UMLK	Undermount, Linkable, Qty 8	+6,960
SOHW	Undermount Slide-out, Hardwired, Qty 8	+16,680
SOPI	Undermount Slide-out, Plug In, Qty 8	+14,152
SOLK	Undermount Slide-out, Linkable, Qty 8	+14,152

Wire Management Column (sold separately)

Required with any technology selection

Pattern Number: 02WMC6X6	+266
Pattern Number: 02WMC10X10	+1038

Step 1. Metal Finish for Wire Management Column

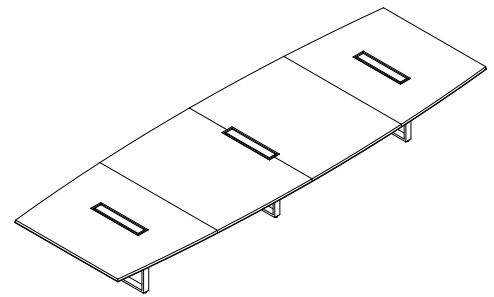
MC __	Powder Coat	+0	+0
PM01	Polished Chrome	+1,252	+571
PM02	Satin Nickel	+1,252	+571
PM03	Oil Rubbed Bronze	+1,874	+2,607

Please consult [page 7](#) for the palette of DatesWeiser finishes. Natural stone, non-standard glass and veneer, and other technology options are available. Please email customerservice@datesweiser.com for a custom quote. Consult technical information on [page 277](#) for construction details and technical information.

Highline Boat Conference Table

72"x216" / 18 Person

02B72X216



Starting Price: **\$39,920**

72/60x216 table, veneer Tier 1 top with metal edge, open base, powder coat metal finish

Base Pattern Number: 02B72X216

Step 1. Top Material

V	Veneer
G	Glass
C	Corian
Q	Caesarstone

Step 2. Edge Selection

N __	No Edge
L __	Leather Edge
M __	Metal Edge

Step 3. Base Type

BL	Base Loop	+0
-----------	-----------	----

Step 4. Edge Finish

N __	No Edge	+0
AU __	Spinneybeck Leather: Acqua	+5,863
MC __	Powder Coat	+0
PM01	Polished Chrome	+3,332
PM02	Satin Nickel	+3,332
PM03	Oil Rubbed Bronze	+8,759

Step 5. Top Finish

T1 __	Veneer Tier 1	+0
T2 __	Veneer Tier 2	+2,916
GC __	Clear Glass, back painted	+21,512
GE __	Etched matte Glass, back painted	+25,478
CS01	Corian Glacier White	+30,435
QS __	Caesarstone	Contact Rep.

Step 6. Base Finish

MC __	Powder Coat	+0
PM01	Polished Chrome	+539
PM02	Satin Nickel	+539
PM03	Oil Rubbed Bronze	+1,859

Step 7. Microphone and/or Grommet Accommodations: Optional

MA __	Microphone hole (factory cut)	Qty __ x 377 each
GM __	2" Grommet Hole (factory cut), liner, lid, in matching metal finish	Qty __ x 496 each

Step 8. Power & Connectivity Access: Optional

TMHW	Tabletop, Metal lid, Hardwired, Qty 3	+16,758
TMPI	Tabletop, Metal lid, Plug In, Qty 3	+14,799
TMLK	Tabletop, Metal lid, Linkable, Qty 3	+14,799
UMHW	Undermount, Hardwired, Qty 8	+9,576
UMPI	Undermount, Plug In, Qty 8	+6,960
UMLK	Undermount, Linkable, Qty 8	+6,960
SOHW	Undermount Slide-out, Hardwired, Qty 8	+16,680
SOPI	Undermount Slide-out, Plug In, Qty 8	+14,152
SOLK	Undermount Slide-out, Linkable, Qty 8	+14,152

Wire Management Column (sold separately)

Required with any technology selection

Pattern Number: 02WMC6X6	+266
Pattern Number: 02WMC10X10	+1038

Step 1. Metal Finish for Wire Management Column

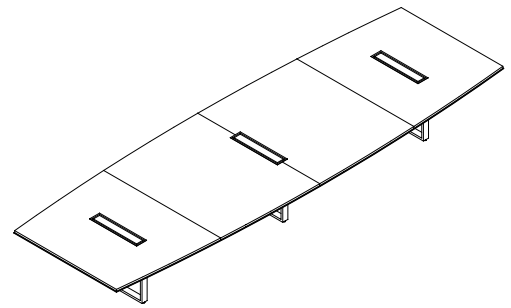
	6x6	10x10
MC __	Powder Coat	+0 +0
PM01	Polished Chrome	+1,252 +571
PM02	Satin Nickel	+1,252 +571
PM03	Oil Rubbed Bronze	+1,874 +2,607

Please consult [page 7](#) for the palette of DatesWeiser finishes. Natural stone, non-standard glass and veneer, and other technology options are available. Please email customerservice@datesweiser.com for a custom quote. Consult technical information on [page 277](#) for construction details and technical information.

Highline Boat Conference Table

72"x228"/ 18 Person

02B72X228



Starting Price: **\$40,531**

72/60x228 table, veneer Tier 1 top with metal edge, open base, powder coat metal finish

Base Pattern Number: 02B72X228

Step 1. Top Material

V	Veneer
G	Glass
C	Corian
Q	Caesarstone

Step 2. Edge Selection

N __	No Edge
L __	Leather Edge
M __	Metal Edge

Step 3. Base Type

BL	Base Loop	+0
-----------	-----------	----

Step 4. Edge Finish

N __	No Edge	+0
AU __	Spinneybeck Leather: Acqua	+6,115
MC __	Powder Coat	+0
PM01	Polished Chrome	+3,378
PM02	Satin Nickel	+3,378
PM03	Oil Rubbed Bronze	+8,759

Step 5. Top Finish

T1 __	Veneer Tier 1	+0
T2 __	Veneer Tier 2	+3,079
GC __	Clear Glass, back painted	+22,639
GE __	Etched matte Glass, back painted	+26,825
CS01	Corian Glacier White	+32,125
QS __	Caesarstone*	Contact Rep.

Step 6. Base Finish

MC __	Powder Coat	+0
PM01	Polished Chrome	+539
PM02	Satin Nickel	+539
PM03	Oil Rubbed Bronze	+1,859

Step 7. Microphone and/or Grommet Accommodations: Optional

MA __	Microphone hole (factory cut)	Qty __ x 377 each
GM __	2" Grommet Hole (factory cut), liner, lid, in matching metal finish	Qty __ x 496 each

Step 8. Power & Connectivity Access: Optional

TMHW	Tabletop, Metal lid, Hardwired, Qty 3	+16,758
TMPI	Tabletop, Metal lid, Plug In, Qty 3	+14,799
TMLK	Tabletop, Metal lid, Linkable, Qty 3	+14,799
UMHW	Undermount, Hardwired, Qty 8	+9,576
UMPI	Undermount, Plug In, Qty 8	+6,960
UMLK	Undermount, Linkable, Qty 8	+6,960
SOHW	Undermount Slide-out, Hardwired, Qty 8	+16,680
SOPI	Undermount Slide-out, Plug In, Qty 8	+14,152
SOLK	Undermount Slide-out, Linkable, Qty 8	+14,152

Wire Management Column (sold separately)

Required with any technology selection

Pattern Number: 02WMC6X6	+266
Pattern Number: 02WMC10X10	+1038

Step 1. Metal Finish for Wire Management Column

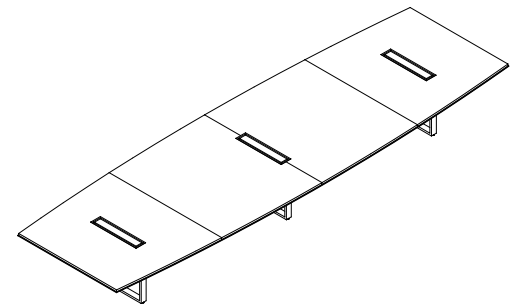
	6x6	10x10
MC __	Powder Coat	+0 +0
PM01	Polished Chrome	+1,252 +571
PM02	Satin Nickel	+1,252 +571
PM03	Oil Rubbed Bronze	+1,874 +2,607

Please consult [page 7](#) for the palette of DatesWeiser finishes. Natural stone, non-standard glass and veneer, and other technology options are available. Please email customerservice@datesweiser.com for a custom quote. Consult technical information on [page 277](#) for construction details and technical information.

Highline Boat Conference Table

72"x240"/ 20 Person

02B72X240



Starting Price: **\$42,979**

72/60x240 table, veneer Tier 1 top with metal edge, open base, powder coat metal finish

Base Pattern Number: 02B72X240

Step 1. Top Material

V	Veneer
G	Glass
C	Corian
Q	Caesarstone

Step 2. Edge Selection

N __	No Edge
L __	Leather Edge
M __	Metal Edge

Step 3. Base Type

BL	Base Loop	+0
-----------	-----------	----

Step 4. Edge Finish

N __	No Edge	+0
AU __	Spinneybeck Leather: Acqua	+6,370
MC __	Powder Coat	+0
PM01	Polished Chrome	+3,378
PM02	Satin Nickel	+3,378
PM03	Oil Rubbed Bronze	+8,759

Step 5. Top Finish

T1 __	Veneer Tier 1	+0
T2 __	Veneer Tier 2	+3,240
GC __	Clear Glass, back painted	+23,844
GE __	Etched matte Glass, back painted	+28,250
CS01	Corian Glacier White	+33,816
QS __	Caesarstone*	Contact Rep.

Step 6. Base Finish

MC __	Powder Coat	+0
PM01	Polished Chrome	+539
PM02	Satin Nickel	+539
PM03	Oil Rubbed Bronze	+1,859

Step 7. Microphone and/or Grommet Accommodations: Optional

MA __	Microphone hole (factory cut)	Qty __ x 377 each
GM __	2" Grommet Hole (factory cut), liner, lid, in matching metal finish	Qty __ x 496 each

Step 8. Power & Connectivity Access: Optional

TMHW	Tabletop, Metal lid, Hardwired, Qty 3	+16,758
TMPI	Tabletop, Metal lid, Plug In, Qty 3	+14,799
TMLK	Tabletop, Metal lid, Linkable, Qty 3	+14,799
UMHW	Undermount, Hardwired, Qty 10	+11,970
UMPI	Undermount, Plug In, Qty 10	+8,700
UMLK	Undermount, Linkable, Qty 10	+8,700
SOHW	Undermount Slide-out, Hardwired, Qty 10	+20,850
SOPI	Undermount Slide-out, Plug In, Qty 10	+17,690
SOLK	Undermount Slide-out, Linkable, Qty 10	+17,690

Wire Management Column (sold separately)

Required with any technology selection

Pattern Number: 02WMC6X6	+266
Pattern Number: 02WMC10X10	+1038

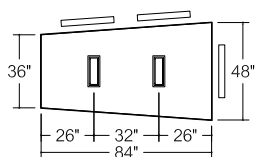
Step 1. Metal Finish for Wire Management Column

	6x6	10x10
MC __	Powder Coat	+0 +0
PM01	Polished Chrome	+1,252 +571
PM02	Satin Nickel	+1,252 +571
PM03	Oil Rubbed Bronze	+1,874 +2,607

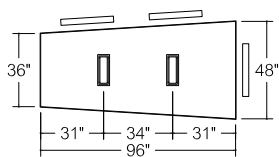
Please consult [page 7](#) for the palette of DatesWeiser finishes. Natural stone, non-standard glass and veneer, and other technology options are available. Please email customerservice@datesweiser.com for a custom quote. Consult technical information on [page 277](#) for construction details and technical information.

Highline Trapezoid Tables Index

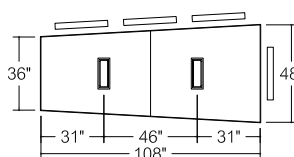
48"-72" width



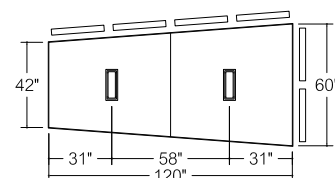
O2T48X84
6 Person Table



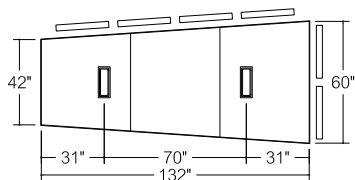
O2T48X96
6 Person Table



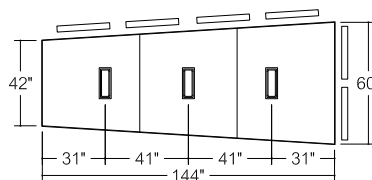
O2T48X108
8 Person Table



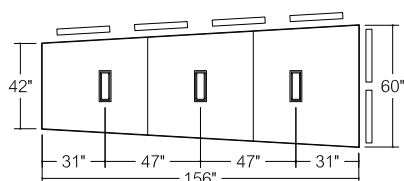
O2T60X120
11 Person Table



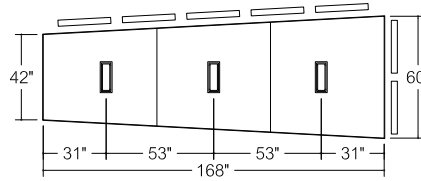
O2T60X132
11 Person Table



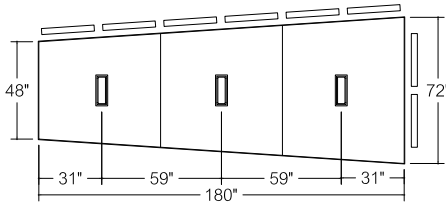
O2T60X144
11 Person Table



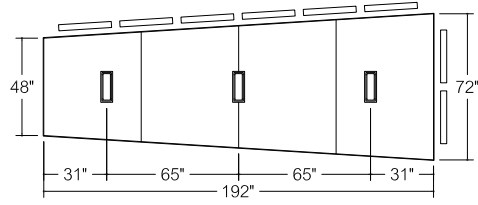
O2T60X156
13 Person Table



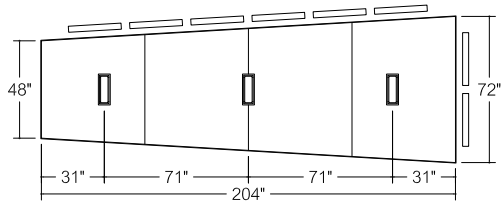
O2T60X168
13 Person Table



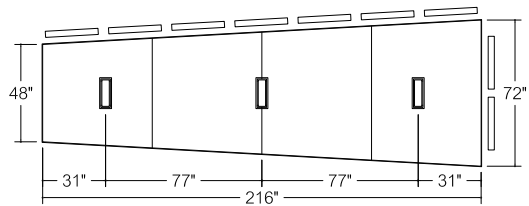
O2T72X180
15 Person Table



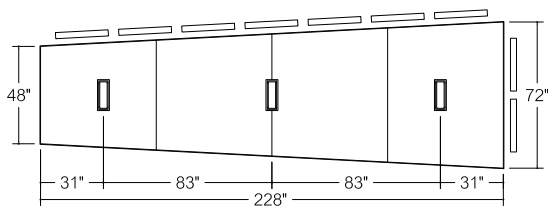
O2T72X192
15 Person Table



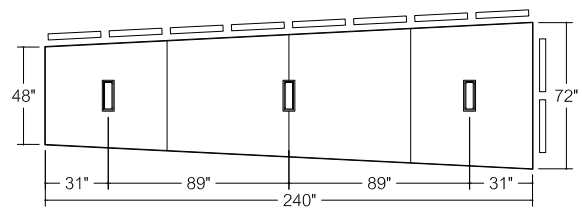
O2T72X204
15 Person Table



O2T72X216
17 Person Table



O2T72X228
17 Person Table

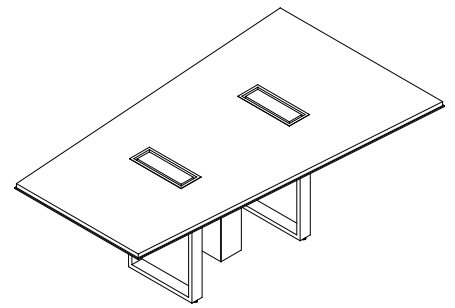


O2T72X240
19 Person Table

Highline Trapezoid Conference Table

48"x84"/ 6 Person

02T48X84



Starting Price: **\$11,918**

48/36x84 table, veneer Tier 1 top with metal edge, open base, powder coat metal finish

Base Pattern Number: 02T48X84

Step 1. Top Material

V	Veneer
G	Glass
C	Corian
Q	Caesarstone

Step 2. Edge Selection

N __	No Edge
L __	Leather Edge
M __	Metal Edge

Step 3. Base Type

BL	Base Loop	+0
-----------	-----------	----

Step 4. Edge Finish

N __	No Edge	+0
AU __	Spinneybeck Leather: Acqua	+2,124
MC __	Powder Coat	+0
PM01	Polished Chrome	+917
PM02	Satin Nickel	+917
PM03	Oil Rubbed Bronze	+917

Step 5. Top Finish

T1 __	Veneer Tier 1	+0
T2 __	Veneer Tier 2	+757
GC __	Clear Glass, back painted	+5,643
GE __	Etched matte Glass, back painted	+6,672
CS01	Corian Glacier White	+7,891
QS __	Caesarstone	Contact Rep.

Step 6. Base Finish

MC __	Powder Coat	+0
PM01	Polished Chrome	+378
PM02	Satin Nickel	+378
PM03	Oil Rubbed Bronze	+740

Step 7. Microphone and/or Grommet Accommodations: Optional

MA __	Microphone hole (factory cut)	Qty __ x 377 each
GM __	2" Grommet Hole (factory cut), liner, lid, in matching metal finish	Qty __ x 496 each

Step 8. Power & Connectivity Access: Optional

TMHW	Tabletop, Metal lid, Hardwired, Qty 2	+8,796
TMPI	Tabletop, Metal lid, Plug In, Qty 2	+7,496
TMLK	Tabletop, Metal lid, Linkable, Qty 2	+6,394
UMHW	Undermount, Hardwired, Qty 4	+4,788
UMPI	Undermount, Plug In, Qty 4	+3,480
UMLK	Undermount, Linkable, Qty 4	+3,480
SOHW	Undermount Slide-out, Hardwired, Qty 4	+8,340
SOPI	Undermount Slide-out, Plug In, Qty 4	+7,076
SOLK	Undermount Slide-out, Linkable, Qty 4	+7,076

Wire Management Column (sold separately)

Required with any technology selection

Pattern Number: 02WMC6X6	+266
Pattern Number: 02WMC10X10	+1,038

Step 1. Metal Finish for Wire Management Column

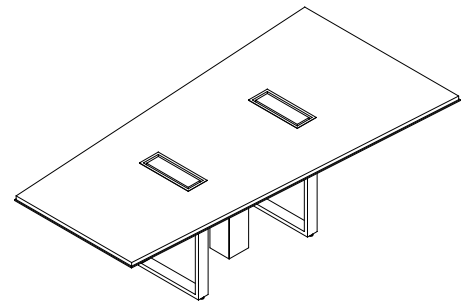
	6x6	10x10
MC __	Powder Coat	+0 +0
PM01	Polished Chrome	+1,252 +571
PM02	Satin Nickel	+1,252 +571
PM03	Oil Rubbed Bronze	+1,874 +2,607

Please consult [page 7](#) for the palette of DatesWeiser finishes. Natural stone, non-standard glass and veneer, and other technology options are available. Please email customerservice@datesweiser.com for a custom quote. Consult technical information on [page 277](#) for construction details and technical information.

Highline Trapezoid Conference Table

48"x96"/ 6 Person

02T48X96



Starting Price: **\$12,790**

48/36x96 table, veneer Tier 1 top with metal edge, open base, powder coat metal finish

Base Pattern Number: 02T48X96

Step 1. Top Material

V	Veneer
G	Glass
C	Corian
Q	Caesarstone

Step 2. Edge Selection

N __	No Edge
L __	Leather Edge
M __	Metal Edge

Step 3. Base Type

BL	Base Loop	+0
-----------	-----------	----

Step 4. Edge Finish

N __	No Edge	+0
AU __	Spinneybeck Leather: Acqua	+2,326
MC __	Powder Coat	+0
PM01	Polished Chrome	+917
PM02	Satin Nickel	+917
PM03	Oil Rubbed Bronze	+917

Step 5. Top Finish

T1 __	Veneer Tier 1	+0
T2 __	Veneer Tier 2	+862
GC __	Clear Glass, back painted	+6,414
GE __	Etched matte Glass, back painted	+7,588
CS01	Corian Glacier White	+9,017
QS __	Caesarstone	Contact Rep.

Step 6. Base Finish

MC __	Powder Coat	+0
PM01	Polished Chrome	+378
PM02	Satin Nickel	+378
PM03	Oil Rubbed Bronze	+740

Step 7. Microphone and/or Grommet Accommodations: Optional

MA __	Microphone hole (factory cut)	Qty __ x 377 each
GM __	2" Grommet Hole (factory cut), liner, lid, in matching metal finish	Qty __ x 496 each

Step 8. Power & Connectivity Access: Optional

TMHW	Tabletop, Metal lid, Hardwired, Qty 2	+8,796
TMPI	Tabletop, Metal lid, Plug In, Qty 2	+7,496
TMLK	Tabletop, Metal lid, Linkable, Qty 2	+6,394
UMHW	Undermount, Hardwired, Qty 4	+4,788
UMPI	Undermount, Plug In, Qty 4	+3,480
UMLK	Undermount, Linkable, Qty 4	+3,480
SOHW	Undermount Slide-out, Hardwired, Qty 4	+8,340
SOPI	Undermount Slide-out, Plug In, Qty 4	+7,076
SOLK	Undermount Slide-out, Linkable, Qty 4	+7,076

Wire Management Column (sold separately)

Required with any technology selection

Pattern Number: 02WMC6X6	+266
Pattern Number: 02WMC10X10	+1,038

Step 1. Metal Finish for Wire Management Column

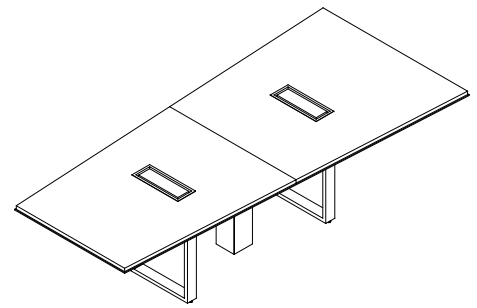
	6x6	10x10
MC __	Powder Coat	+0 +0
PM01	Polished Chrome	+1,252 +571
PM02	Satin Nickel	+1,252 +571
PM03	Oil Rubbed Bronze	+1,874 +2,607

Please consult [page 7](#) for the palette of DatesWeiser finishes. Natural stone, non-standard glass and veneer, and other technology options are available. Please email customerservice@datesweiser.com for a custom quote. Consult technical information on [page 277](#) for construction details and technical information.

Highline Trapezoid Conference Table

48"x108"/ 8 Person

02T48X108



Starting Price: **\$13,252**

48/36x108 table, veneer Tier 1 top with metal edge, open base, powder coat metal finish

Base Pattern Number: 02T48X108

Step 1. Top Material

V	Veneer
G	Glass
C	Corian
Q	Caesarstone

Step 2. Edge Selection

N __	No Edge
L __	Leather Edge
M __	Metal Edge

Step 3. Base Type

BL	Base Loop	+0
-----------	-----------	----

Step 4. Edge Finish

N __	No Edge	+0
AU __	Spinneybeck Leather: Acqua	+2,527
MC __	Powder Coat	+0
PM01	Polished Chrome	+917
PM02	Satin Nickel	+917
PM03	Oil Rubbed Bronze	+917

Step 5. Top Finish

T1 __	Veneer Tier 1	+0
T2 __	Veneer Tier 2	+972
GC __	Clear Glass, back painted	+7,168
GE __	Etched matte Glass, back painted	+8,490
CS01	Corian Glacier White	+10,144
QS __	Caesarstone	Contact Rep.

Step 6. Base Finish

MC __	Powder Coat	+0
PM01	Polished Chrome	+378
PM02	Satin Nickel	+378
PM03	Oil Rubbed Bronze	+740

Step 7. Microphone and/or Grommet Accommodations: Optional

MA __	Microphone hole (factory cut)	Qty __ x 377 each
GM __	2" Grommet Hole (factory cut), liner, lid, in matching metal finish	Qty __ x 496 each

Step 8. Power & Connectivity Access: Optional

TMHW	Tabletop, Metal lid, Hardwired, Qty 2	+8,796
TMPI	Tabletop, Metal lid, Plug In, Qty 2	+7,496
TMLK	Tabletop, Metal lid, Linkable, Qty 2	+6,394
UMHW	Undermount, Hardwired, Qty 4	+4,788
UMPI	Undermount, Plug In, Qty 4	+3,480
UMLK	Undermount, Linkable, Qty 4	+3,480
SOHW	Undermount Slide-out, Hardwired, Qty 4	+8,340
SOPI	Undermount Slide-out, Plug In, Qty 4	+7,076
SOLK	Undermount Slide-out, Linkable, Qty 4	+7,076

Wire Management Column (sold separately)

Required with any technology selection

Pattern Number: 02WMC6X6	+266
Pattern Number: 02WMC10X10	+1,038

Step 1. Metal Finish for Wire Management Column

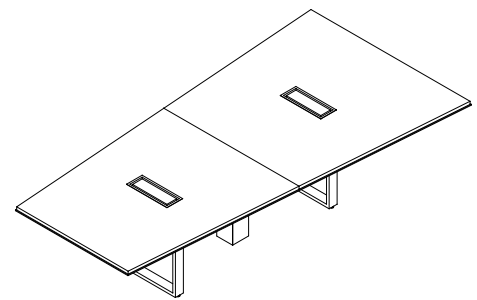
	6x6	10x10
MC __	Powder Coat	+0 +0
PM01	Polished Chrome	+1,252 +571
PM02	Satin Nickel	+1,252 +571
PM03	Oil Rubbed Bronze	+1,874 +2,607

Please consult [page 7](#) for the palette of DatesWeiser finishes. Natural stone, non-standard glass and veneer, and other technology options are available. Please email customerservice@datesweiser.com for a custom quote. Consult technical information on [page 277](#) for construction details and technical information.

Highline Trapezoid Conference Table

60"x120"/ 11 Person

02T60X120



Starting Price: **\$16,492**

60/42x120 table, veneer Tier 1 top with metal edge, open base, powder coat metal finish

Base Pattern Number: 02T60X120

Step 1. Top Material

V	Veneer
G	Glass
C	Corian
Q	Caesarstone

Step 2. Edge Selection

N __	No Edge
L __	Leather Edge
M __	Metal Edge

Step 3. Base Type

BL	Base Loop	+0
-----------	-----------	----

Step 4. Edge Finish

N __	No Edge	+0
AU __	Spinneybeck Leather: Acqua	+2,884
MC __	Powder Coat	+0
PM01	Polished Chrome	+773
PM02	Satin Nickel	+773
PM03	Oil Rubbed Bronze	+773

Step 5. Top Finish

T1 __	Veneer Tier 1	+0
T2 __	Veneer Tier 2	+1,351
GC __	Clear Glass, back painted	+9,875
GE __	Etched matte Glass, back painted	+11,711
CS01	Corian Glacier White	+14,089
QS __	Caesarstone	Conatct Rep.

Step 6. Base Finish

MC __	Powder Coat	+0
PM01	Polished Chrome	+378
PM02	Satin Nickel	+378
PM03	Oil Rubbed Bronze	+740

Step 7. Microphone and/or Grommet Accommodations: Optional

MA __	Microphone hole (factory cut)	Qty __ x 377 each
GM __	2" Grommet Hole (factory cut), liner, lid, in matching metal finish	Qty __ x 496 each

Step 8. Power & Connectivity Access: Optional

TMHW	Tabletop, Metal lid, Hardwired, Qty 2	+8,796
TMPI	Tabletop, Metal lid, Plug In, Qty 2	+7,496
TMLK	Tabletop, Metal lid, Linkable, Qty 2	+6,394
UMHW	Undermount, Hardwired, Qty 6	+7,182
UMPI	Undermount, Plug In, Qty 6	+5,220
UMLK	Undermount, Linkable, Qty 6	+5,220
SOHW	Undermount Slide-out, Hardwired, Qty 6	+12,510
SOPI	Undermount Slide-out, Plug In, Qty 6	+10,614
SOLK	Undermount Slide-out, Linkable, Qty 6	+10,614

Wire Management Column (sold separately)

Required with any technology selection

Pattern Number: 02WMC6X6	+266
Pattern Number: 02WMC10X10	+1038

Step 1. Metal Finish for Wire Management Column

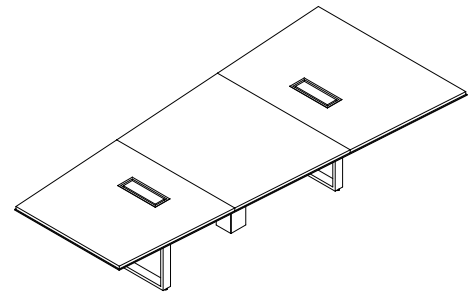
	6x6	10x10
MC __	Powder Coat	+0 +0
PM01	Polished Chrome	+1,252 +571
PM02	Satin Nickel	+1,252 +571
PM03	Oil Rubbed Bronze	+1,874 +2,607

Please consult [page 7](#) for the palette of DatesWeiser finishes. Natural stone, non-standard glass and veneer, and other technology options are available. Please email customerservice@datesweiser.com for a custom quote. Consult technical information on [page 277](#) for construction details and technical information.

Highline Trapezoid Conference Table

60"x132"/ 11 Person

02T60X132



Starting Price: **\$19,873**

60/42x132 table, veneer Tier 1 top with metal edge, open base, powder coat metal finish

Base Pattern Number: 02T60X132

Step 1. Top Material

V	Veneer
G	Glass
C	Corian
Q	Caesarstone

Step 2. Edge Selection

N __	No Edge
L __	Leather Edge
M __	Metal Edge

Step 3. Base Type

BL	Base Loop	+0
-----------	-----------	----

Step 4. Edge Finish

N __	No Edge	+0
AU __	Spinneybeck Leather: Acqua	+3,084
MC __	Powder Coat	+0
PM01	Polished Chrome	+1,127
PM02	Satin Nickel	+1,127
PM03	Oil Rubbed Bronze	+1,127

Step 5. Top Finish

T1 __	Veneer Tier 1	+0
T2 __	Veneer Tier 2	+1,486
GC __	Clear Glass, back painted	+10,936
GE __	Etched matte Glass, back painted	+12,954
CS01	Corian Glacier White	+15,499
QS __	Caesarstone	Contact Rep.

Step 6. Base Finish

MC __	Powder Coat	+0
PM01	Polished Chrome	+378
PM02	Satin Nickel	+378
PM03	Oil Rubbed Bronze	+740

Step 7. Microphone and/or Grommet Accommodations: Optional

MA __	Microphone hole (factory cut)	Qty __ x 377 each
GM __	2" Grommet Hole (factory cut), liner, lid, in matching metal finish	Qty __ x 496 each

Step 8. Power & Connectivity Access: Optional

TMHW	Tabletop, Metal lid, Hardwired, Qty 2	+8,796
TMPI	Tabletop, Metal lid, Plug In, Qty 2	+7,496
TMLK	Tabletop, Metal lid, Linkable, Qty 2	+6,394
UMHW	Undermount, Hardwired, Qty 6	+7,182
UMPI	Undermount, Plug In, Qty 6	+5,220
UMLK	Undermount, Linkable, Qty 6	+5,220
SOHW	Undermount Slide-out, Hardwired, Qty 6	+12,510
SOPI	Undermount Slide-out, Plug In, Qty 6	+10,614
SOLK	Undermount Slide-out, Linkable, Qty 6	+10,614

Wire Management Column (sold separately)

Required with any technology selection

Pattern Number: 02WMC6X6	+266
Pattern Number: 02WMC10X10	+1038

Step 1. Metal Finish for Wire Management Column

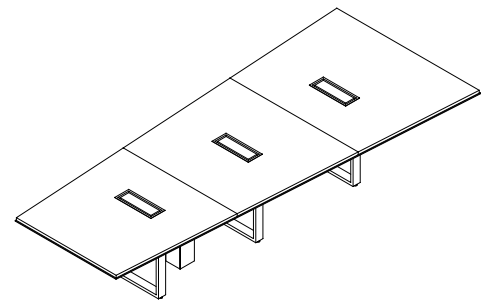
	6x6	10x10
MC __	Powder Coat	+0 +0
PM01	Polished Chrome	+1,252 +571
PM02	Satin Nickel	+1,252 +571
PM03	Oil Rubbed Bronze	+1,874 +2,607

Please consult [page 7](#) for the palette of DatesWeiser finishes. Natural stone, non-standard glass and veneer, and other technology options are available. Please email customerservice@datesweiser.com for a custom quote. Consult technical information on [page 277](#) for construction details and technical information.

Highline Trapezoid Conference Table

60"x144"/ 11 Person

02T60X144



Starting Price: **\$20,857**

60/42x144 table, veneer Tier 1 top with metal edge, open base, powder coat metal finish

Base Pattern Number: 02T60X144

Step 1. Top Material

V	Veneer
G	Glass
C	Corian
Q	Caesarstone

Step 2. Edge Selection

N __	No Edge
L __	Leather Edge
M __	Metal Edge

Step 3. Base Type

BL	Base Loop	+0
-----------	-----------	----

Step 4. Edge Finish

N __	No Edge	+0
AU __	Spinneybeck Leather: Acqua	+3,287
MC __	Powder Coat	+0
PM01	Polished Chrome	+1,127
PM02	Satin Nickel	+1,127
PM03	Oil Rubbed Bronze	+1,127

Step 5. Top Finish

T1 __	Veneer Tier 1	+0
T2 __	Veneer Tier 2	+1,620
GC __	Clear Glass, back painted	+11,895
GE __	Etched matte Glass, back painted	+14,098
CS01	Corian Glacier White	+16,908
QS __	Caesarstone	Contact Rep.

Step 6. Base Finish

MC __	Powder Coat	+0
PM01	Polished Chrome	+567
PM02	Satin Nickel	+567
PM03	Oil Rubbed Bronze	+1,110

Step 7. Microphone and/or Grommet Accommodations: Optional

MA __	Microphone hole (factory cut)	Qty __ x 377 each
GM __	2" Grommet Hole (factory cut), liner, lid, in matching metal finish	Qty __ x 496 each

Step 8. Power & Connectivity Access: Optional

TMHW	Tabletop, Metal lid, Hardwired, Qty 3	+13,194
TMPI	Tabletop, Metal lid, Plug In, Qty 3	+11,224
TMLK	Tabletop, Metal lid, Linkable, Qty 3	+9,591
UMHW	Undermount, Hardwired, Qty 6	+7,182
UMPI	Undermount, Plug In, Qty 6	+5,220
UMLK	Undermount, Linkable, Qty 6	+5,220
SOHW	Undermount Slide-out, Hardwired, Qty 6	+12,510
SOPI	Undermount Slide-out, Plug In, Qty 6	+10,614
SOLK	Undermount Slide-out, Linkable, Qty 6	+10,614

Wire Management Column (sold separately)

Required with any technology selection

Pattern Number: 02WMC6X6	+266
Pattern Number: 02WMC10X10	+1038

Step 1. Metal Finish for Wire Management Column

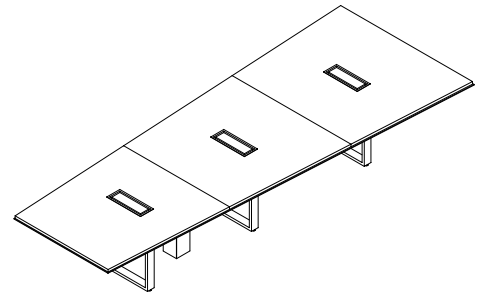
	6x6	10x10
MC __	Powder Coat	+0 +0
PM01	Polished Chrome	+1,252 +571
PM02	Satin Nickel	+1,252 +571
PM03	Oil Rubbed Bronze	+1,874 +2,607

Please consult [page 7](#) for the palette of DatesWeiser finishes. Natural stone, non-standard glass and veneer, and other technology options are available. Please email customerservice@datesweiser.com for a custom quote. Consult technical information on [page 277](#) for construction details and technical information.

Highline Trapezoid Conference Table

60"x156"/ 13 Person

02T60X156



Starting Price: **\$21,371**

60/42x156 table, veneer Tier 1 top with metal edge, open base, powder coat metal finish

Base Pattern Number: 02T60X156

Step 1. Top Material

V	Veneer
G	Glass
C	Corian
Q	Caesarstone

Step 2. Edge Selection

N __	No Edge
L __	Leather Edge
M __	Metal Edge

Step 3. Base Type

BL	Base Loop	+0
-----------	-----------	----

Step 4. Edge Finish

N __	No Edge	+0
AU __	Spinneybeck Leather: Acqua	+3,489
MC __	Powder Coat	+0
PM01	Polished Chrome	+1,127
PM02	Satin Nickel	+1,127
PM03	Oil Rubbed Bronze	+1,127

Step 5. Top Finish

T1 __	Veneer Tier 1	+0
T2 __	Veneer Tier 2	+1,755
GC __	Clear Glass, back painted	+12,835
GE __	Etched matte Glass, back painted	+15,221
CS01	Corian Glacier White	+18,317
QS __	Caesarstone	Contact Rep.

Step 6. Base Finish

MC __	Powder Coat	+0
PM01	Polished Chrome	+567
PM02	Satin Nickel	+567
PM03	Oil Rubbed Bronze	+1,110

Step 7. Microphone and/or Grommet Accommodations: Optional

MA __	Microphone hole (factory cut)	Qty __ x 377 each
GM __	2" Grommet Hole (factory cut), liner, lid, in matching metal finish	Qty __ x 496 each

Step 8. Power & Connectivity Access: Optional

TMHW	Tabletop, Metal lid, Hardwired, Qty 3	+13,194
TMPI	Tabletop, Metal lid, Plug In, Qty 3	+11,224
TMLK	Tabletop, Metal lid, Linkable, Qty 3	+9,591
UMHW	Undermount, Hardwired, Qty 6	+7,182
UMPI	Undermount, Plug In, Qty 6	+5,220
UMLK	Undermount, Linkable, Qty 6	+5,220
SOHW	Undermount Slide-out, Hardwired, Qty 6	+12,510
SOPI	Undermount Slide-out, Plug In, Qty 6	+10,614
SOLK	Undermount Slide-out, Linkable, Qty 6	+10,614

Wire Management Column (sold separately)

Required with any technology selection

Pattern Number: 02WMC6X6	+266
Pattern Number: 02WMC10X10	+1038

Step 1. Metal Finish for Wire Management Column

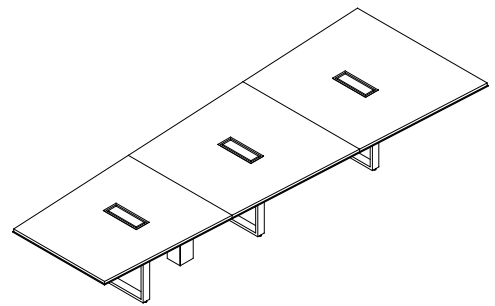
	6x6	10x10
MC __	Powder Coat	+0 +0
PM01	Polished Chrome	+1,252 +571
PM02	Satin Nickel	+1,252 +571
PM03	Oil Rubbed Bronze	+1,874 +2,607

Please consult [page 7](#) for the palette of DatesWeiser finishes. Natural stone, non-standard glass and veneer, and other technology options are available. Please email customerservice@datesweiser.com for a custom quote. Consult technical information on [page 277](#) for construction details and technical information.

Highline Trapezoid Conference Table

60"x168"/ 13 Person

02T60X168



Starting Price: **\$22,784**

60/42x168 table, veneer Tier 1 top with metal edge, open base, powder coat metal finish

Base Pattern Number: 02T60X168

Step 1. Top Material

V	Veneer
G	Glass
C	Corian
Q	Caesarstone

Step 2. Edge Selection

N __	No Edge
L __	Leather Edge
M __	Metal Edge

Step 3. Base Type

BL	Base Loop	+0
-----------	-----------	----

Step 4. Edge Finish

N __	No Edge	+0
AU __	Spinneybeck Leather: Acqua	+3,689
MC __	Powder Coat	+0
PM01	Polished Chrome	+1,837
PM02	Satin Nickel	+1,837
PM03	Oil Rubbed Bronze	+1,837

Step 5. Top Finish

T1 __	Veneer Tier 1	+0
T2 __	Veneer Tier 2	+1,890
GC __	Clear Glass, back painted	+13,812
GE __	Etched matte Glass, back painted	+16,381
CS01	Corian Glacier White	+19,725
QS __	Caesarstone	Contact Rep.

Step 6. Base Finish

MC __	Powder Coat	+0
PM01	Polished Chrome	+567
PM02	Satin Nickel	+567
PM03	Oil Rubbed Bronze	+1,110

Step 7. Microphone and/or Grommet Accommodations: Optional

MA __	Microphone hole (factory cut)	Qty __ x 377 each
GM __	2" Grommet Hole (factory cut), liner, lid, in matching metal finish	Qty __ x 496 each

Step 8. Power & Connectivity Access: Optional

TMHW	Tabletop, Metal lid, Hardwired, Qty 3	+13,194
TMPI	Tabletop, Metal lid, Plug In, Qty 3	+11,224
TMLK	Tabletop, Metal lid, Linkable, Qty 3	+9,591
UMHW	Undermount, Hardwired, Qty 6	+7,182
UMPI	Undermount, Plug In, Qty 6	+5,220
UMLK	Undermount, Linkable, Qty 6	+5,220
SOHW	Undermount Slide-out, Hardwired, Qty 6	+12,510
SOPI	Undermount Slide-out, Plug In, Qty 6	+10,614
SOLK	Undermount Slide-out, Linkable, Qty 6	+10,614

Wire Management Column (sold separately)

Required with any technology selection

Pattern Number: 02WMC6X6	+266
Pattern Number: 02WMC10X10	+1038

Step 1. Metal Finish for Wire Management Column

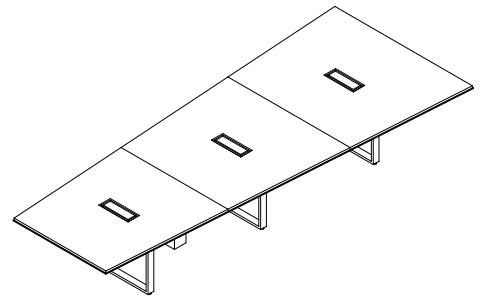
	6x6	10x10
MC __	Powder Coat	+0 +0
PM01	Polished Chrome	+1,252 +571
PM02	Satin Nickel	+1,252 +571
PM03	Oil Rubbed Bronze	+1,874 +2,607

Please consult [page 7](#) for the palette of DatesWeiser finishes. Natural stone, non-standard glass and veneer, and other technology options are available. Please email customerservice@datesweiser.com for a custom quote. Consult technical information on [page 277](#) for construction details and technical information.

Highline Trapezoid Conference Table

72"x180"/ 15 Person

02T72X180



Starting Price: **\$27,099**

72/48x180 table, veneer Tier 1 top with metal edge, open base, powder coat metal finish

Base Pattern Number: 02T72X180

Step 1. Top Material

V	Veneer
G	Glass
C	Corian
Q	Caesarstone

Step 2. Edge Selection

N __	No Edge
L __	Leather Edge
M __	Metal Edge

Step 3. Base Type

BL	Base Loop	+0
-----------	-----------	----

Step 4. Edge Finish

N __	No Edge	+0
AU __	Spinneybeck Leather: Acqua	+4,046
MC __	Powder Coat	+0
PM01	Polished Chrome	+1,836
PM02	Satin Nickel	+1,836
PM03	Oil Rubbed Bronze	+1,836

Step 5. Top Finish

T1 __	Veneer Tier 1	+0
T2 __	Veneer Tier 2	+2,429
GC __	Clear Glass, back painted	+17,665
GE __	Etched matte Glass, back painted	+20,970
CS01	Corian Glacier White	+25,362
QS __	Caesarstone*	Contact Rep.

Step 6. Base Finish

MC __	Powder Coat	+0
PM01	Polished Chrome	+567
PM02	Satin Nickel	+567
PM03	Oil Rubbed Bronze	+1,110

Step 7. Microphone and/or Grommet Accommodations: Optional

MA __	Microphone hole (factory cut)	Qty __ x 377 each
GM __	2" Grommet Hole (factory cut), liner, lid, in matching metal finish	Qty __ x 496 each

Step 8. Power & Connectivity Access: Optional

TMHW	Tabletop, Metal lid, Hardwired, Qty 3	+13,194
TMPI	Tabletop, Metal lid, Plug In, Qty 3	+11,244
TMLK	Tabletop, Metal lid, Linkable, Qty 3	+9,591
UMHW	Undermount, Hardwired, Qty 8	+9,576
UMPI	Undermount, Plug In, Qty 8	+6,960
UMLK	Undermount, Linkable, Qty 8	+6,960
SOHW	Undermount Slide-out, Hardwired, Qty 8	+16,680
SOPI	Undermount Slide-out, Plug In, Qty 8	+14,152
SOLK	Undermount Slide-out, Linkable, Qty 8	+14,152

Wire Management Column (sold separately)

Required with any technology selection

Pattern Number: 02WMC6X6	+266
Pattern Number: 02WMC10X10	+1038

Step 1. Metal Finish for Wire Management Column

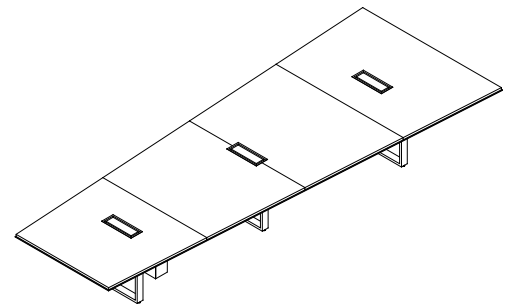
	6x6	10x10
MC __	Powder Coat	+0 +0
PM01	Polished Chrome	+1,252 +571
PM02	Satin Nickel	+1,252 +571
PM03	Oil Rubbed Bronze	+1,874 +2,607

Please consult [page 7](#) for the palette of DatesWeiser finishes. Natural stone, non-standard glass and veneer, and other technology options are available. Please email customerservice@datesweiser.com for a custom quote. Consult technical information on [page 277](#) for construction details and technical information.

Highline Trapezoid Conference Table

72"x192" / 15 Person

02T72X192



Starting Price: **\$28,105**

72/48x192 table, veneer Tier 1 top with metal edge, open base, powder coat metal finish

Base Pattern Number: 02T72X192

Step 1. Top Material

V	Veneer
G	Glass
C	Corian
Q	Caesarstone

Step 2. Edge Selection

N __	No Edge
L __	Leather Edge
M __	Metal Edge

Step 3. Base Type

BL	Base Loop	+0
-----------	-----------	----

Step 4. Edge Finish

N __	No Edge	+0
AU __	Spinneybeck Leather: Acqua	+4,247
MC __	Powder Coat	+0
PM01	Polished Chrome	+1,836
PM02	Satin Nickel	+1,836
PM03	Oil Rubbed Bronze	+1,836

Step 5. Top Finish

T1 __	Veneer Tier 1	+0
T2 __	Veneer Tier 2	+2,593
GC __	Clear Glass, back painted	+18,810
GE __	Etched matte Glass, back painted	+22,335
CS01	Corian Glacier White	+27,052
QS __	Caesarstone	Contact Rep.

Step 6. Base Finish

MC __	Powder Coat	+0
PM01	Polished Chrome	+567
PM02	Satin Nickel	+567
PM03	Oil Rubbed Bronze	+1,110

Step 7. Microphone and/or Grommet Accommodations: Optional

MA __	Microphone hole (factory cut)	Qty __ x 377 each
GM __	2" Grommet Hole (factory cut), liner, lid, in matching metal finish	Qty __ x 496 each

Step 8. Power & Connectivity Access: Optional

TMHW	Tabletop, Metal lid, Hardwired, Qty 3	+13,194
TMPI	Tabletop, Metal lid, Plug In, Qty 3	+11,244
TMLK	Tabletop, Metal lid, Linkable, Qty 3	+9,591
UMHW	Undermount, Hardwired, Qty 8	+9,576
UMPI	Undermount, Plug In, Qty 8	+6,960
UMLK	Undermount, Linkable, Qty 8	+6,960
SOHW	Undermount Slide-out, Hardwired, Qty 8	+16,680
SOPI	Undermount Slide-out, Plug In, Qty 8	+14,152
SOLK	Undermount Slide-out, Linkable, Qty 8	+14,152

Wire Management Column (sold separately)

Required with any technology selection

Pattern Number: 02WMC6X6	+266
Pattern Number: 02WMC10X10	+1038

Step 1. Metal Finish for Wire Management Column

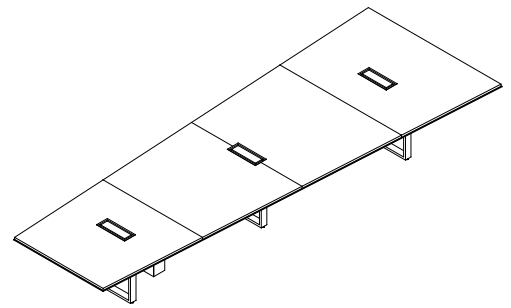
	6x6	10x10
MC __	Powder Coat	+0 +0
PM01	Polished Chrome	+1,252 +571
PM02	Satin Nickel	+1,252 +571
PM03	Oil Rubbed Bronze	+1,874 +2,607

Please consult [page 7](#) for the palette of DatesWeiser finishes. Natural stone, non-standard glass and veneer, and other technology options are available. Please email customerservice@datesweiser.com for a custom quote. Consult technical information on [page 277](#) for construction details and technical information.

Highline Trapezoid Conference Table

72"x204"/ 15 Person

02T72X204



Starting Price: **\$28,931**

72/48x204 table, veneer Tier 1 top with metal edge, open base, powder coat metal finish

Base Pattern Number: 02T72X204

Step 1. Top Material

V	Veneer
G	Glass
C	Corian
Q	Caesarstone

Step 2. Edge Selection

N __	No Edge
L __	Leather Edge
M __	Metal Edge

Step 3. Base Type

BL	Base Loop	+0
-----------	-----------	----

Step 4. Edge Finish

N __	No Edge	+0
AU __	Spinneybeck Leather: Acqua	+4,449
MC __	Powder Coat	+0
PM01	Polished Chrome	+1,836
PM02	Satin Nickel	+1,836
PM03	Oil Rubbed Bronze	+1,836

Step 5. Top Finish

T1 __	Veneer Tier 1	+0
T2 __	Veneer Tier 2	+2,754
GC __	Clear Glass, back painted	+19,946
GE __	Etched matte Glass, back painted	+23,690
CS01	Corian Glacier White	+28,743
QS __	Caesarstone	Contact Rep.

Step 6. Base Finish

MC __	Powder Coat	+0
PM01	Polished Chrome	+567
PM02	Satin Nickel	+567
PM03	Oil Rubbed Bronze	+1,110

Step 7. Microphone and/or Grommet Accommodations: Optional

MA __	Microphone hole (factory cut)	Qty __ x 377 each
GM __	2" Grommet Hole (factory cut), liner, lid, in matching metal finish	Qty __ x 496 each

Step 8. Power & Connectivity Access: Optional

TMHW	Tabletop, Metal lid, Hardwired, Qty 3	+13,194
TMPI	Tabletop, Metal lid, Plug In, Qty 3	+11,244
TMLK	Tabletop, Metal lid, Linkable, Qty 3	+9,591
UMHW	Undermount, Hardwired, Qty 8	+9,576
UMPI	Undermount, Plug In, Qty 8	+6,960
UMLK	Undermount, Linkable, Qty 8	+6,960
SOHW	Undermount Slide-out, Hardwired, Qty 8	+16,680
SOPI	Undermount Slide-out, Plug In, Qty 8	+14,152
SOLK	Undermount Slide-out, Linkable, Qty 8	+14,152

Wire Management Column (sold separately)

Required with any technology selection

Pattern Number: 02WMC6X6	+266
Pattern Number: 02WMC10X10	+1038

Step 1. Metal Finish for Wire Management Column

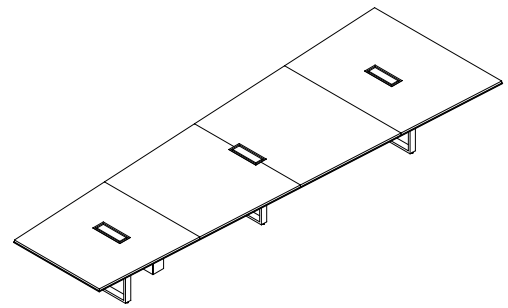
	6x6	10x10
MC __	Powder Coat	+0 +0
PM01	Polished Chrome	+1,252 +571
PM02	Satin Nickel	+1,252 +571
PM03	Oil Rubbed Bronze	+1,874 +2,607

Please consult [page 7](#) for the palette of DatesWeiser finishes. Natural stone, non-standard glass and veneer, and other technology options are available. Please email customerservice@datesweiser.com for a custom quote. Consult technical information on [page 277](#) for construction details and technical information.

Highline Trapezoid Conference Table

72"x216" / 17 Person

02T72X216



Starting Price: **\$29,768**

72/48x216 table, veneer Tier 1 top with metal edge, open base, powder coat metal finish

Base Pattern Number: 02T72X216

Step 1. Top Material

V	Veneer
G	Glass
C	Corian
Q	Caesarstone

Step 2. Edge Selection

N __	No Edge
L __	Leather Edge
M __	Metal Edge

Step 3. Base Type

BL	Base Loop	+0
-----------	-----------	----

Step 4. Edge Finish

N __	No Edge	+0
AU __	Spinneybeck Leather: Acqua	+4,651
MC __	Powder Coat	+0
PM01	Polished Chrome	+1,836
PM02	Satin Nickel	+1,836
PM03	Oil Rubbed Bronze	+1,836

Step 5. Top Finish

T1 __	Veneer Tier 1	+0
T2 __	Veneer Tier 2	+2,916
GC __	Clear Glass, back painted	+21,083
GE __	Etched matte Glass, back painted	+25,048
CS01	Corian Glacier White	+30,434
QS __	Caesarstone	Contact Rep.

Step 6. Base Finish

MC __	Powder Coat	+0
PM01	Polished Chrome	+567
PM02	Satin Nickel	+567
PM03	Oil Rubbed Bronze	+1,110

Step 7. Microphone and/or Grommet Accommodations: Optional

MA __	Microphone hole (factory cut)	Qty __ x 377 each
GM __	2" Grommet Hole (factory cut), liner, lid, in matching metal finish	Qty __ x 496 each

Step 8. Power & Connectivity Access: Optional

TMHW	Tabletop, Metal lid, Hardwired, Qty 3	+13,194
TMPI	Tabletop, Metal lid, Plug In, Qty 3	+11,244
TMLK	Tabletop, Metal lid, Linkable, Qty 3	+9,591
UMHW	Undermount, Hardwired, Qty 8	+9,576
UMPI	Undermount, Plug In, Qty 8	+6,960
UMLK	Undermount, Linkable, Qty 8	+6,960
SOHW	Undermount Slide-out, Hardwired, Qty 8	+16,680
SOPI	Undermount Slide-out, Plug In, Qty 8	+14,152
SOLK	Undermount Slide-out, Linkable, Qty 8	+14,152

Wire Management Column (sold separately)

Required with any technology selection

Pattern Number: 02WMC6X6	+266
Pattern Number: 02WMC10X10	+1038

Step 1. Metal Finish for Wire Management Column

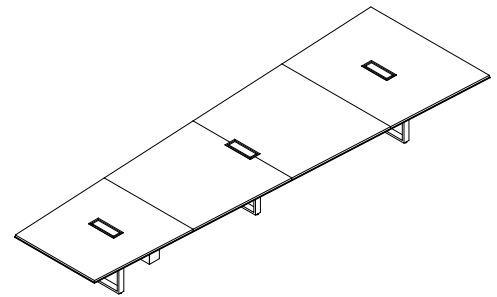
	6x6	10x10
MC __	Powder Coat	+0 +0
PM01	Polished Chrome	+1,252 +571
PM02	Satin Nickel	+1,252 +571
PM03	Oil Rubbed Bronze	+1,874 +2,607

Please consult [page 7](#) for the palette of DatesWeiser finishes. Natural stone, non-standard glass and veneer, and other technology options are available. Please email customerservice@datesweiser.com for a custom quote. Consult technical information on [page 277](#) for construction details and technical information.

Highline Trapezoid Conference Table

72"x228"/ 17 Person

02T72X228



Starting Price: **\$30,575**

72/48x228 table, veneer Tier 1 top with metal edge, open base, powder coat metal finish

Base Pattern Number: 02T72X228

Step 1. Top Material

V	Veneer
G	Glass
C	Corian
Q	Caesarstone

Step 2. Edge Selection

N __	No Edge
L __	Leather Edge
M __	Metal Edge

Step 3. Base Type

BL	Base Loop	+0
-----------	-----------	----

Step 4. Edge Finish

N __	No Edge	+0
AU __	Spinneybeck Leather: Acqua	+4,853
MC __	Powder Coat	+0
PM01	Polished Chrome	+1,836
PM02	Satin Nickel	+1,836
PM03	Oil Rubbed Bronze	+1,836

Step 5. Top Finish

T1 __	Veneer Tier 1	+0
T2 __	Veneer Tier 2	+3,079
GC __	Clear Glass, back painted	+22,219
GE __	Etched matte Glass, back painted	+26,404
CS01	Corian Glacier White	+32,126
QS __	Caesarstone*	Contact Rep.

Step 6. Base Finish

MC __	Powder Coat	+0
PM01	Polished Chrome	+567
PM02	Satin Nickel	+567
PM03	Oil Rubbed Bronze	+1,110

Step 7. Microphone and/or Grommet Accommodations: Optional

MA __	Microphone hole (factory cut)	Qty __ x 377 each
GM __	2" Grommet Hole (factory cut), liner, lid, in matching metal finish	Qty __ x 496 each

Step 8. Power & Connectivity Access: Optional

TMHW	Tabletop, Metal lid, Hardwired, Qty 3	+13,194
TMPI	Tabletop, Metal lid, Plug In, Qty 3	+11,244
TMLK	Tabletop, Metal lid, Linkable, Qty 3	+9,591
UMHW	Undermount, Hardwired, Qty 8	+9,576
UMPI	Undermount, Plug In, Qty 8	+6,960
UMLK	Undermount, Linkable, Qty 8	+6,960
SOHW	Undermount Slide-out, Hardwired, Qty 8	+16,680
SOPI	Undermount Slide-out, Plug In, Qty 8	+14,152
SOLK	Undermount Slide-out, Linkable, Qty 8	+14,152

Wire Management Column (sold separately)

Required with any technology selection

Pattern Number: 02WMC6X6	+266
Pattern Number: 02WMC10X10	+1038

Step 1. Metal Finish for Wire Management Column

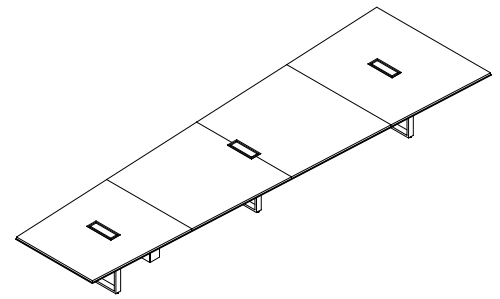
	6x6	10x10
MC __	Powder Coat	+0 +0
PM01	Polished Chrome	+1,252 +571
PM02	Satin Nickel	+1,252 +571
PM03	Oil Rubbed Bronze	+1,874 +2,607

Please consult [page 7](#) for the palette of DatesWeiser finishes. Natural stone, non-standard glass and veneer, and other technology options are available. Please email customerservice@datesweiser.com for a custom quote. Consult technical information on [page 277](#) for construction details and technical information.

Highline Trapezoid Conference Table

72"x240"/ 19 Person

02T72X240



Starting Price: **\$31,406**

72/48x240 table, veneer Tier 1 top with metal edge, open base, powder coat metal finish

Base Pattern Number: 02T72X240

Step 1. Top Material

V	Veneer
G	Glass
C	Corian
Q	Caesarstone

Step 2. Edge Selection

N __	No Edge
L __	Leather Edge
M __	Metal Edge

Step 3. Base Type

BL	Base Loop	+0
-----------	-----------	----

Step 4. Edge Finish

N __	No Edge	+0
AU __	Spinneybeck Leather: Acqua	+5,053
MC __	Powder Coat	+0
PM01	Polished Chrome	+1,836
PM02	Satin Nickel	+1,836
PM03	Oil Rubbed Bronze	+1,836

Step 5. Top Finish

T1 __	Veneer Tier 1	+0
T2 __	Veneer Tier 2	+3,241
GC __	Clear Glass, back painted	+23,355
GE __	Etched matte Glass, back painted	+27,760
CS01	Corian Glacier White	+33,816
QS __	Caesarstone*	Contact Rep.

Step 6. Base Finish

MC __	Powder Coat	+0
PM01	Polished Chrome	+567
PM02	Satin Nickel	+567
PM03	Oil Rubbed Bronze	+1,110

Step 7. Microphone and/or Grommet Accommodations: Optional

MA __	Microphone hole (factory cut)	Qty __ x 377 each
GM __	2" Grommet Hole (factory cut), liner, lid, in matching metal finish	Qty __ x 496 each

Step 8. Power & Connectivity Access: Optional

TMHW	Tabletop, Metal lid, Hardwired, Qty 3	+13,194
TMPI	Tabletop, Metal lid, Plug In, Qty 3	+11,244
TMLK	Tabletop, Metal lid, Linkable, Qty 3	+9,591
UMHW	Undermount, Hardwired, Qty 10	+11,970
UMPI	Undermount, Plug In, Qty 10	+8,700
UMLK	Undermount, Linkable, Qty 10	+8,700
SOHW	Undermount Slide-out, Hardwired, Qty 10	+20,850
SOPI	Undermount Slide-out, Plug In, Qty 10	+17,690
SOLK	Undermount Slide-out, Linkable, Qty 10	+17,690

Wire Management Column (sold separately)

Required with any technology selection

Pattern Number: 02WMC6X6	+266
Pattern Number: 02WMC10X10	+1,038

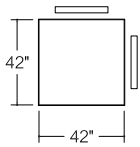
Step 1. Metal Finish for Wire Management Column

	6x6	10x10
MC __	Powder Coat	+0 +0
PM01	Polished Chrome	+1,252 +571
PM02	Satin Nickel	+1,252 +571
PM03	Oil Rubbed Bronze	+1,874 +2,607

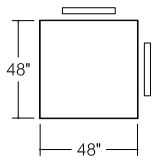
Please consult [page 7](#) for the palette of DatesWeiser finishes. Natural stone, non-standard glass and veneer, and other technology options are available. Please email customerservice@datesweiser.com for a custom quote. Consult technical information on [page 277](#) for construction details and technical information.

Highline Square, Round and Elliptical Meeting Tables Index

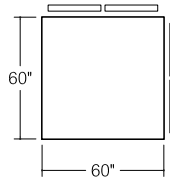
42"-84" width



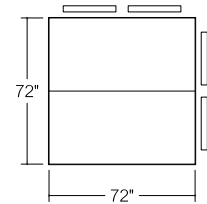
02M42S
4 Person Table



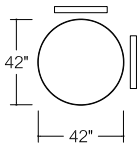
02M48S
4 Person Table



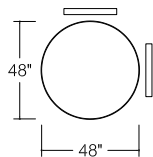
02M60S
8 Person Table



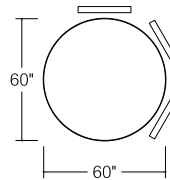
02M72S
8 Person Table



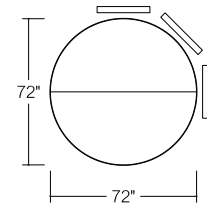
02M42C
4 Person Table



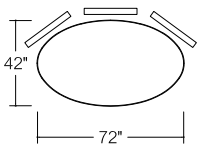
02M48C
4 Person Table



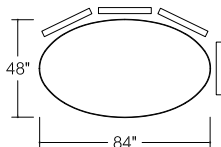
02M60C
6 Person Table



02M72C
8 Person Table



02M42E
6 Person Table

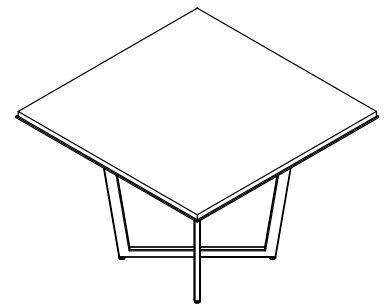


02M48E
8 Person Table

Highline Square Meeting Table

42"x42"/ 4 Person

02M42S



Starting Price: **\$8,198**

42x42 table, veneer Tier 1 top with metal edge, open x base, powder coat metal finish

Base Pattern Number: 02M42S

Step 1. Top Material

V	Veneer
G	Glass
C	Corian
Q	Caesarstone

Step 2. Edge Selection/Finish

N _ _	No Edge	+0
AU _ _	Spinneybeck Leather: Acqua	+1,413
MC _ _	Powder Coat	+0
PM01	Polished Chrome	+1,396
PM02	Satin Nickel	+1,396
PM03	Oil Rubbed Bronze	+3,572

Step 3. Base Type

OP	Open Base	+0
-----------	-----------	----

Step 4. Base Finish

MC _ _	Powder Coat	+0
PM01	Polished Chrome	+495
PM02	Satin Nickel	+495
PM03	Oil Rubbed Bronze	+2,885

Step 5. Top Finish

T1 _ _	Veneer Tier 1	+0
T2 _ _	Veneer Tier 2	+331
GC _ _	Clear Glass, back painted	+1,831
GE _ _	Etched matte Glass, back painted	+2,131
CS01	Corian Glacier White	+2,086
QS _ _	Caesarstone	Contact Rep.

Step 6. Microphone and/or Grommet Accommodations: Optional

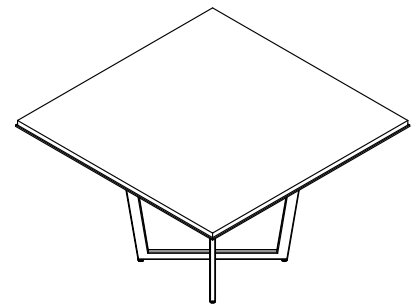
MA _ _	Microphone hole (factory cut)	Qty _ _ x 377 each
GM _ _	2" Grommet Hole (factory cut), liner, lid, in matching metal finish	Qty _ _ x 496 each

Please consult [page 7](#) for the palette of DatesWeiser finishes. Natural stone, non-standard glass and veneer, and other technology options are available. Please email customerservice@datesweiser.com for a custom quote. Consult technical information on [page 285](#) for construction details and technical information.

Highline Square Meeting Table

48"x48"/ 4 Person

02M48S



Starting Price: **\$8,702**

48x48 table, veneer Tier 1 top with metal edge, open x base, powder coat metal finish

Base Pattern Number: 02M48S

Step 1. Top Material

V	Veneer	
G	Glass	
C	Corian	
Q	Caesarstone	

Step 2. Edge Selection/Finish

N __	No Edge	+0
AU __	Spinneybeck Leather: Acqua	+1,616
MC __	Powder Coat	+0
PM01	Polished Chrome	+1,431
PM02	Satin Nickel	+1,43
PM03	Oil Rubbed Bronze	+3,572

Step 3. Base Type

OP	Open Base	+0
WM	Wire Management Base	+ 8,605

Step 4. Base Finish

MC __	Powder Coat	+0
PM01	Polished Chrome	+495
PM02	Satin Nickel	+495
PM03	Oil Rubbed Bronze	+3,572

Step 5. Top Finish

T1 __	Veneer Tier 1	+0
T2 __	Veneer Tier 2	+431
GC __	Clear Glass, back painted	+2,306
GE __	Etched matte Glass, back painted	+2,698
CS01	Corian Glacier White	+2,724
QS __	Caesarstone	Contact Rep.

Step 6. Power & Connectivity Access: Optional

TMHW	Tabletop, Metal lid, Hardwired, Qty 1	+2,757
TMPI	Tabletop, Metal lid, Plug In, Qty 1	+2,469
TMLK	Tabletop, Metal lid, Linkable, Qty 1	+2,469
UMHW	Undermount, Hardwired, Qty 2	+2,394
UMPI	Undermount, Plug In, Qty 2	+1,740
UMLK	Undermount, Linkable, Qty 2	+1,740
SOHW	Slide Out, Hardwired, Qty 2	+4,170
SOPI	Slide Out, Plug In, Qty 2	+3,538
SOLK	Slide Out, Linkable, Qty 2	+3,538

Step 5. Microphone and/or Grommet Accommodations: Optional

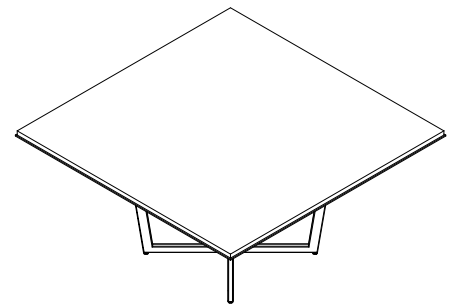
MA __	Microphone hole (factory cut)	Qty __ x 377 each
GM __	2" Grommet Hole (factory cut), liner, lid, in matching metal finish	Qty __ x 496 each

Please consult [page 7](#) for the palette of DatesWeiser finishes. Natural stone, non-standard glass and veneer, and other technology options are available. Please email customerservice@datesweiser.com for a custom quote. Consult technical information on [page 285](#) for construction details and technical information.

Highline Square Meeting Table

60"x60"/ 8 Person

02M60S



Starting Price: **\$10,895**

60x60 table, veneer Tier 1 top with metal edge, open x base, powder coat metal finish

Base Pattern Number: 02M60S

Step 1. Top Material

V	Veneer
G	Glass
C	Corian
Q	Caesarstone

Step 2. Edge Selection/Finish

N __	No Edge	+0
AU __	Spinneybeck Leather: Acqua	+2,019
MC __	Powder Coat	+0
PM01	Polished Chrome	+1,419
PM02	Satin Nickel	+1,419
PM03	Oil Rubbed Bronze	+3,572

Step 3. Base Type

OP	Open Base	+0
WM	Wire Management Base	+ 8,605

Step 4. Base Finish

MC __	Powder Coat	+0
PM01	Polished Chrome	+495
PM02	Satin Nickel	+495
PM03	Oil Rubbed Bronze	+2,885

Step 5. Top Finish

T1 __	Veneer Tier 1	+0
T2 __	Veneer Tier 2	+675
GC __	Clear Glass, back painted	+3,489
GE __	Etched matte Glass, back painted	+4,101
CS01	Corian Glacier White	+4,256
QS __	Caesarstone*	Contact Rep.

Step 6. Power & Connectivity Access: Optional

TMHW	Tabletop, Metal lid, Hardwired, Qty 1	+2,757
TMPI	Tabletop, Metal lid, Plug In, Qty 1	+2,469
TMLK	Tabletop, Metal lid, Linkable, Qty 1	+2,469
UMHW	Undermount, Hardwired, Qty 2	+2,394
UMPI	Undermount, Plug In, Qty 2	+1,740
UMLK	Undermount, Linkable, Qty 2	+1,740
SOHW	Slide Out, Hardwired, Qty 2	+4,170
SOPI	Slide Out, Plug In, Qty 2	+3,538
SOLK	Slide Out, Linkable, Qty 2	+3,538

Step 5. Microphone and/or Grommet Accommodations: Optional

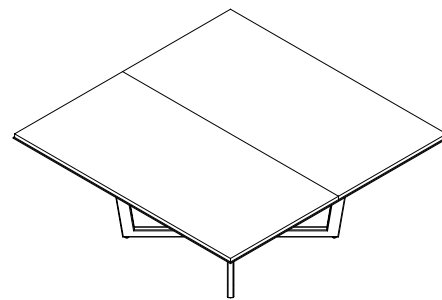
MA __	Microphone hole (factory cut)	Qty __ x 377 each
GM __	2" Grommet Hole (factory cut), liner, lid, in matching metal finish	Qty __ x 496 each

Please consult [page 7](#) for the palette of DatesWeiser finishes. Natural stone, non-standard glass and veneer, and other technology options are available. Please email customerservice@datesweiser.com for a custom quote. Consult technical information on [page 285](#) for construction details and technical information.

Highline Square Meeting Table

72"x72"/ 8 Person

02M72SOP



Starting Price: **\$12,664**

72x72 table, veneer Tier 1 top with metal edge, open x base, powder coat metal finish

Base Pattern Number: 02M72S

Step 1. Top Material

V	Veneer
G	Glass
C	Corian
Q	Caesarstone

Step 2. Edge Selection/Finish

N __	No Edge	+0
AU __	Spinneybeck Leather: Acqua	+2,423
MC __	Powder Coat	+0
PM01	Polished Chrome	+1,214
PM02	Satin Nickel	+1,214
PM03	Oil Rubbed Bronze	+3,250

Step 3. Base Type

OP	Open Base	+0
WM	Wire Management Base	+9,551

Step 4. Base Finish

MC __	Powder Coat	+0
PM01	Polished Chrome	+495
PM02	Satin Nickel	+495
PM03	Oil Rubbed Bronze	+2,885

Step 5. Top Finish

T1 __	Veneer Tier 1	+0
T2 __	Veneer Tier 2	+973
GC __	Clear Glass, back painted	+4,897
GE __	Etched matte Glass, back painted	+9,451
CS01	Corian Glacier White	+6,129
QS __	Caesarstone	Contact Rep.

Step 6. Power & Connectivity Access: Optional

TMHW	Tabletop, Metal lid, Hardwired, Qty 1	+2,757
TMPI	Tabletop, Metal lid, Plug In, Qty 1	+2,469
TMLK	Tabletop, Metal lid, Linkable, Qty 1	+2,469
UMHW	Undermount, Hardwired, Qty 4	+4,788
UMPI	Undermount, Plug In, Qty 4	+3,480
UMLK	Undermount, Linkable, Qty 4	+3,480
SOHW	Slide Out, Hardwired, Qty 4	+8,340
SOPI	Slide Out, Plug In, Qty 4	+7,076
SOLK	Slide Out, Linkable, Qty 4	+7,076

Step 5. Microphone and/or Grommet Accommodations: Optional

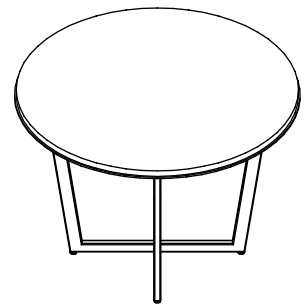
MA __	Microphone hole (factory cut)	Qty __ x 377 each
GM __	2" Grommet Hole (factory cut), liner, lid, in matching metal finish	Qty __ x 496 each

Please consult [page 7](#) for the palette of DatesWeiser finishes. Natural stone, non-standard glass and veneer, and other technology options are available. Please email customerservice@datesweiser.com for a custom quote. Consult technical information on [page 285](#) for construction details and technical information.

Highline Round Meeting Table

42"/ 4 Person

02M42C



Starting Price: **\$10,742**

42" table, veneer Tier 1 top with metal edge, open x base, powder coat metal finish

Base Pattern Number: 02M42C

Step 1. Top Material

V	Veneer
G	Glass
C	Corian
Q	Caesarstone

Step 2. Edge Selection/Finish

N __	No Edge	+0
AU __	Spinneybeck Leather: Acqua	+1,394
MC __	Powder Coat	+0
PM01	Polished Chrome	+343
PM02	Satin Nickel	+343
PM03	Oil Rubbed Bronze	+2,107

Step 3. Base Type

OP	Open Base	+0
-----------	-----------	----

Step 4. Base Finish

MC __	Powder Coat	+0
PM01	Polished Chrome	+495
PM02	Satin Nickel	+495
PM03	Oil Rubbed Bronze	+2,885

Step 5. Top Finish

T1 __	Veneer Tier 1	+0
T2 __	Veneer Tier 2	+332
GC __	Clear Glass, back painted	+2,703
GE __	Etched matte Glass, back painted	+3,190
CS01	Corian Glacier White	+3,452
QS __	Caesarstone	Contact Rep.

Step 6. Microphone and/or Grommet Accommodations: Optional

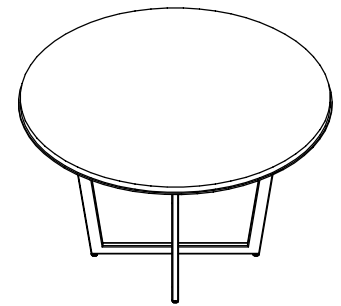
MA __	Microphone hole (factory cut)	Qty __ x 377 each
GM __	2" Grommet hole (factory cut), liner, lid, in matching metal finish	Qty __ x 496 each

Please consult [page 7](#) for the palette of DatesWeiser finishes. Natural stone, non-standard glass and veneer, and other technology options are available. Please email customerservice@datesweiser.com for a custom quote. Consult technical information on [page 285](#) for construction details and technical information.

Highline Round Meeting Table

48"/ 4 Person

02M48C



Starting Price: **\$11,251**

48" table, veneer Tier 1 top with metal edge, open x base, powder coat metal finish

Base Pattern Number: 02M48C

Step 1. Top Material

V	Veneer	
G	Glass	
C	Corian	
Q	Caesarstone	

Step 2. Edge Selection/Finish

N __	No Edge	+0
AU __	Spinneybeck Leather: Acqua	+1,593
MC __	Powder Coat	+0
PM01	Polished Chrome	+343
PM02	Satin Nickel	+343
PM03	Oil Rubbed Bronze	+2,107

Step 3. Base Type

OP	Open Base	+0
WM	Wire Management Base	+8,605

Step 4. Base Finish

MC __	Powder Coat	+0
PM01	Polished Chrome	+495
PM02	Satin Nickel	+495
PM03	Oil Rubbed Bronze	+2,885

Step 5. Top Finish

T1 __	Veneer Tier 1	+0
T2 __	Veneer Tier 2	+432
GC __	Clear Glass, back painted	+3,412
GE __	Etched matte Glass, back painted	+3,999
CS01	Corian Glacier White	+4,509
QS __	Caesarstone	Contact Rep.

Step 6. Power & Connectivity Access: Optional

TMHW	Tabletop, Metal lid, Hardwired, Qty 1	+2,757
TMPI	Tabletop, Metal lid, Plug In, Qty 1	+2,469
TMLK	Tabletop, Metal lid, Linkable, Qty 1	+2,469
UMHW	Undermount, Hardwired, Qty 2	+2,394
UMPI	Undermount, Plug In, Qty 2	+1,740
UMLK	Undermount, Linkable, Qty 2	+1,740
SOHW	Slide Out, Hardwired, Qty 2	+4,170
SOPI	Slide Out, Plug In, Qty 2	+3,538
SOLK	Slide Out, Linkable, Qty 2	+3,538

Step 5. Microphone and/or Grommet Accommodations: Optional

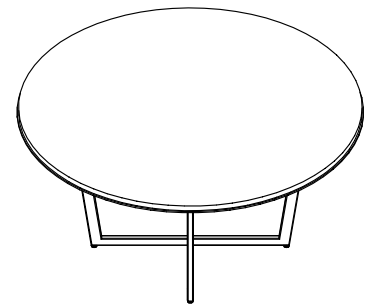
MA __	Microphone hole (factory cut)	Qty __ x 377 each
GM __	2" Grommet Hole (factory cut), liner, lid, in matching metal finish	Qty __ x 496 each

Please consult [page 7](#) for the palette of DatesWeiser finishes. Natural stone, non-standard glass and veneer, and other technology options are available. Please email customerservice@datesweiser.com for a custom quote. Consult technical information on [page 285](#) for construction details and technical information.

Highline Round Meeting Table

60"/ 6 Person

02M60C



Starting Price: **\$14,563**

60" table, veneer Tier 1 top with metal edge, open x base, powder coat metal finish

Base Pattern Number: 02M60C

Step 1. Top Material

V	Veneer
G	Glass
C	Corian
Q	Caesarstone

Step 2. Edge Selection/Finish

N __	No Edge	+0
AU __	Spinneybeck Leather: Acqua	+1,992
MC __	Powder Coat	+0
PM01	Polished Chrome	+278
PM02	Satin Nickel	+278
PM03	Oil Rubbed Bronze	+2,061

Step 3. Base Type

OP	Open Base	+0
WM	Wire Management Base	+8,605

Step 4. Base Finish

MC __	Powder Coat	+0
PM01	Polished Chrome	+495
PM02	Satin Nickel	+495
PM03	Oil Rubbed Bronze	+2,885

Step 5. Top Finish

T1 __	Veneer Tier 1	+0
T2 __	Veneer Tier 2	+675
GC __	Clear Glass, back painted	+5,205
GE __	Etched matte Glass, back painted	+6,122
CS01	Corian Glacier White	+7,045
QS __	Caesarstone	Contact Rep.

Step 6. Power & Connectivity Access: Optional

TMHW	Tabletop, Metal lid, Hardwired, Qty 1	+2,757
TMPI	Tabletop, Metal lid, Plug In, Qty 1	+2,469
TMLK	Tabletop, Metal lid, Linkable, Qty 1	+2,469
UMHW	Undermount, Hardwired, Qty 2	+2,394
UMPI	Undermount, Plug In, Qty 2	+1,740
UMLK	Undermount, Linkable, Qty 2	+1,740
SOHW	Slide Out, Hardwired, Qty 2	+4,170
SOPI	Slide Out, Plug In, Qty 2	+3,538
SOLK	Slide Out, Linkable, Qty 2	+3,538

Step 5. Microphone and/or Grommet Accommodations: Optional

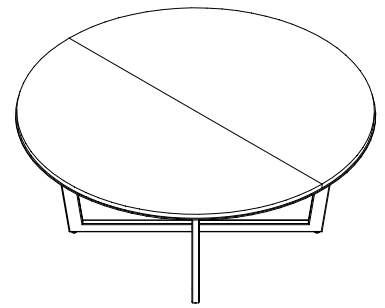
MA __	Microphone hole (factory cut)	Qty __ x 377 each
GM __	2" Grommet Hole (factory cut), liner, lid, in matching metal finish	Qty __ x 496 each

Please consult [page 7](#) for the palette of DatesWeiser finishes. Natural stone, non-standard glass and veneer, and other technology options are available. Please email customerservice@datesweiser.com for a custom quote. Consult technical information on [page 285](#) for construction details and technical information.

Highline Round Meeting Table

72" / 8 Person

02M72C



Starting Price: \$16,175

72" table, veneer Tier 1 top with metal edge, open x base, powder coat metal finish

Base Pattern Number: 02M72C

Step 1. Top Material

V	Veneer	
G	Glass	
C	Corian	
Q	Caesarstone	

Step 2. Edge Selection/Finish

N __	No Edge	+0
AU __	Spinneybeck Leather: Acqua	+2,391
MC __	Powder Coat	+0
PM01	Polished Chrome	+278
PM02	Satin Nickel	+278
PM03	Oil Rubbed Bronze	+2,061

Step 3. Base Type

OP	Open Base	+0
WM	Wire Management Base	+9,551

Step 4. Base Finish

MC __	Powder Coat	+0
PM01	Polished Chrome	+495
PM02	Satin Nickel	+495
PM03	Oil Rubbed Bronze	+2,885

Step 5. Top Finish

T1 __	Veneer Tier 1	+0
T2 __	Veneer Tier 2	+961
GC __	Clear Glass, back painted, color	+7,293
GE __	Etched matte Glass, back painted, color	+8,614
CS01	Corian Glacier White	+10,145
QS __	Caesarstone	Contact Rep.

Step 6. Power & Connectivity Access: Optional

TMHW	Tabletop, Metal lid, Hardwired, Qty 1	+2,757
TMPI	Tabletop, Metal lid, Plug In, Qty 1	+2,469
TMLK	Tabletop, Metal lid, Linkable, Qty 1	+2,469
UMHW	Undermount, Hardwired, Qty 4	+4,788
UMPI	Undermount, Plug In, Qty 4	+3,480
UMLK	Undermount, Linkable, Qty 4	+3,480
SOHW	Slide Out, Hardwired, Qty 4	+8,340
SOPI	Slide Out, Plug In, Qty 4	+7,076
SOLK	Slide Out, Linkable, Qty 4	+7,076

Step 5. Microphone and/or Grommet Accommodations: Optional

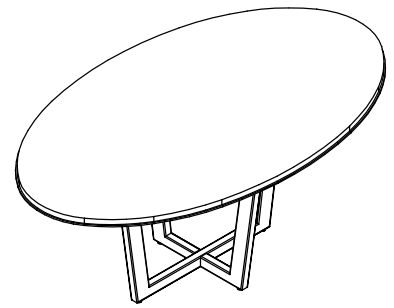
MA __	Microphone hole (factory cut)	Qty __ x 377 each
GM __	2" Grommet Hole (factory cut), liner, lid, in matching metal finish	Qty __ x 496 each

Please consult [page 7](#) for the palette of DatesWeiser finishes. Natural stone, non-standard glass and veneer, and other technology options are available. Please email customerservice@datesweiser.com for a custom quote. Consult technical information on [page 285](#) for construction details and technical information.

Highline Elliptical Meeting Table

42"x72"/ 6 Person

02M42E



Starting Price: **\$15,242**

42x72 table, veneer Tier 1 top with metal edge, open x base, powder coat metal finish

Base Pattern Number: 02M42E

Please consult [page 7](#) for the palette of DatesWeiser finishes. Natural stone, non-standard glass and veneer, and other technology options are available. Please email customerservice@datesweiser.com for a custom quote. Consult technical information on [page 285](#) for construction details and technical information.

Step 1. Top Material

V	Veneer
G	Glass
C	Corian
Q	Caesarstone

Step 2. Edge Selection/Finish

N_ _	No Edge	+0
AU_ _	Spinneybeck Leather: Acqua	+1,941
MC_ _	Powder Coat	+0
PM01	Polished Chrome	+524
PM02	Satin Nickel	+524
PM03	Oil Rubbed Bronze	+2,287

Step 4. Base Finish

MC_ _	Powder Coat	+0
PM01	Polished Chrome	+495
PM02	Satin Nickel	+495
PM03	Oil Rubbed Bronze	+2,885

Step 5. Top Finish

T1_ _	Veneer Tier 1	+0
T2_ _	Veneer Tier 2	+567
GC_ _	Clear Glass, back painted	+4,499
GE_ _	Etched matte Glass, back painted	+5,270
CS01	Corian Glacier White	+5,917
QS_ _	Caesarstone	Contact Rep.

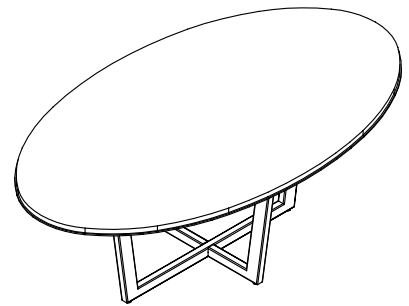
Step 6. Microphone and/or Grommet Accommodations: Optional

MA_ _	Microphone hole (factory cut)	Qty_ _ x 377 each
GM_ _	2" Grommet hole (factory cut), liner, lid, in matching metal finish	Qty_ _ x 496 each

Highline Elliptical Meeting Table

48"x84"/ 8 Person

02M48E



Starting Price: **\$16,440**

48x84 table, veneer Tier 1 top with metal edge, open x base, powder coat metal finish

Base Pattern Number: 02M48E

Step 1. Top Material

V	Veneer
G	Glass
C	Corian
Q	Caesarstone

Step 2. Edge Selection/Finish

N __	No Edge	+0
AU __	Spinneybeck Leather: Acqua	+2,249
MC __	Powder Coat	+0
PM01	Polished Chrome	+755
PM02	Satin Nickel	+755
PM03	Oil Rubbed Bronze	+2,129

Step 3. Base Type

OP	Open Base	+0
WM	Wire Management Base	+8,605

Step 4. Base Finish

MC __	Powder Coat	+0
PM01	Polished Chrome	+495
PM02	Satin Nickel	+495
PM03	Oil Rubbed Bronze	+2,885

Step 5. Top Finish

T1 __	Veneer Tier 1	+0
T2 __	Veneer Tier 2	+757
GC __	Clear Glass, back painted	+5,835
GE __	Etched matte Glass, back painted	+6,863
CS01	Corian Glacier White	+7,891
QS __	Caesarstone	Contact Rep.

Step 6. Power & Connectivity Access: Optional

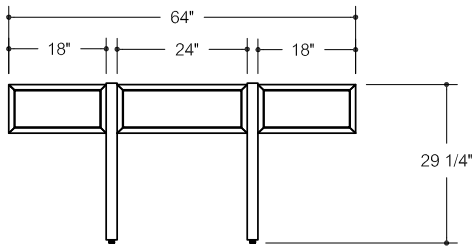
TMHW	Tabletop, Metal lid, Hardwired, Qty 1	+2,757
TMPI	Tabletop, Metal lid, Plug In, Qty 1	+2,469
TMLK	Tabletop, Metal lid, Linkable, Qty 1	+2,469
UMHW	Undermount, Hardwired, Qty 4	+4,788
UMPI	Undermount, Plug In, Qty 4	+3,480
UMLK	Undermount, Linkable, Qty 4	+3,480
SOHW	Slide Out, Hardwired, Qty 4	+8,340
SOPI	Slide Out, Plug In, Qty 4	+7,076
SOLK	Slide Out, Linkable, Qty 4	+7,076

Step 5. Microphone and/or Grommet Accommodations: Optional

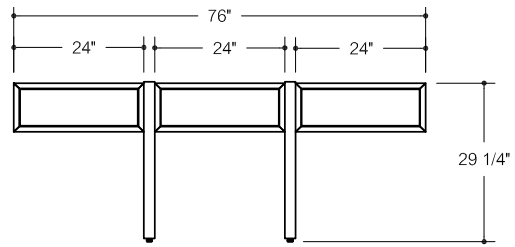
MA __	Microphone hole (factory cut)	Qty __ x 377 each
GM __	2" Grommet Hole (factory cut), liner, lid, in matching metal finish	Qty __ x 496 each

Please consult [page 7](#) for the palette of DatesWeiser finishes. Natural stone, non-standard glass and veneer, and other technology options are available. Please email customerservice@datesweiser.com for a custom quote. Consult technical information on [page 285](#) for construction details and technical information.

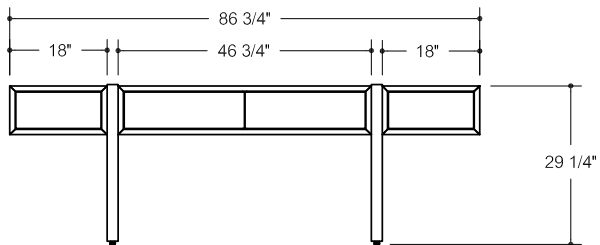
Highline Credenzas Index



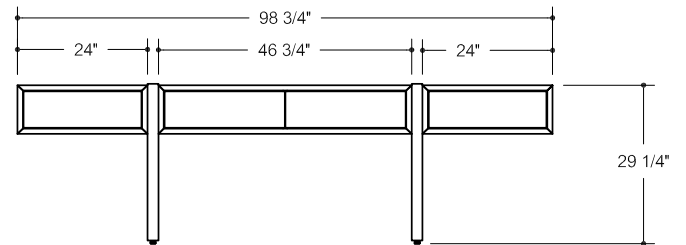
O2C1H64



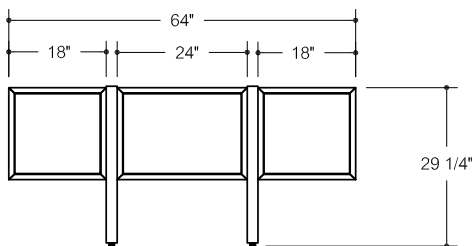
O2C1H76



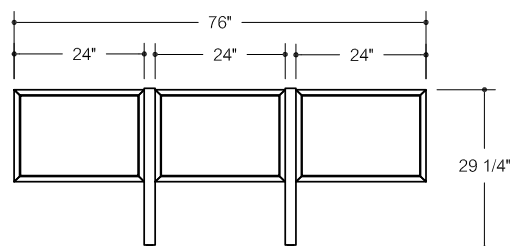
O2C1H87



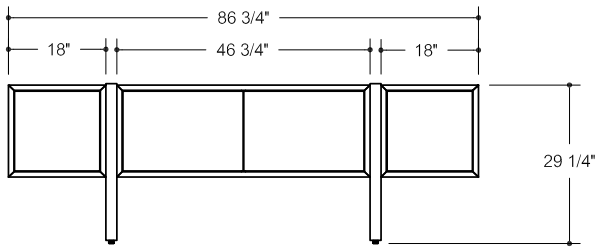
O2C1H99



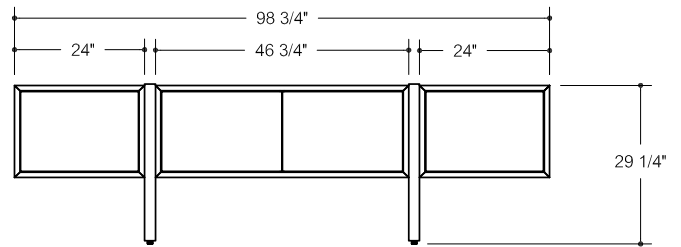
O2C2H64



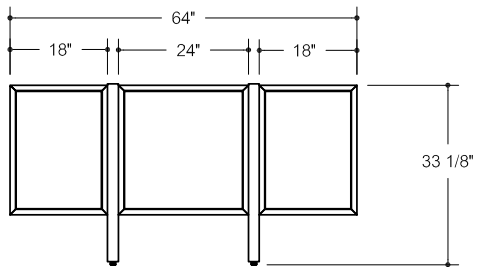
O2C2H76



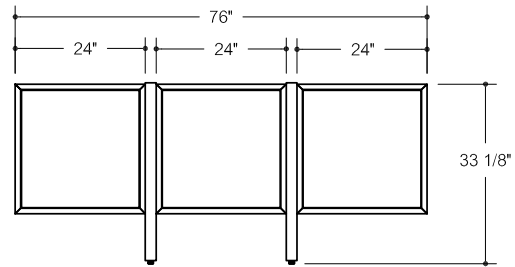
02C2H87



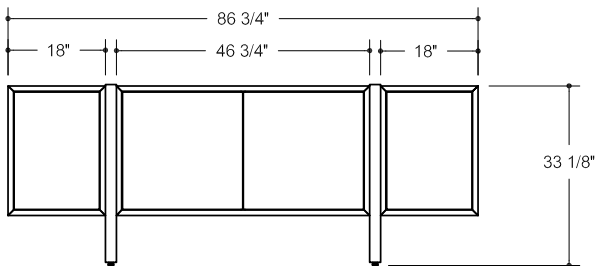
02C2H99



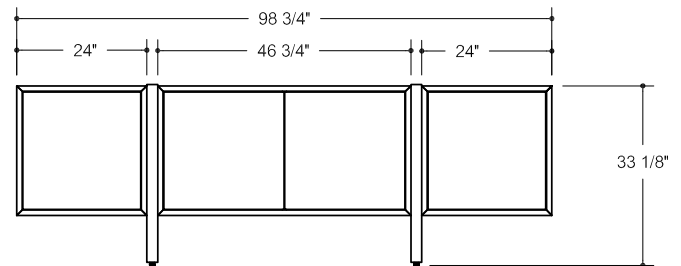
02C3H64



02C3H76



02C3H87

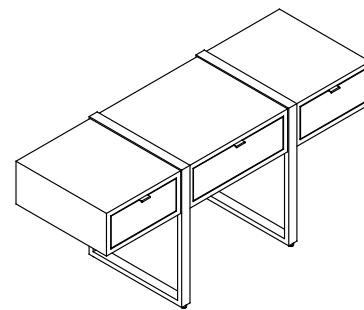


02C3H99

1H Highline Credenza

64" Long

02C1H64



Starting Price: **\$9,606**

64" 1 High credenza, all open, satin lacquer, powder coat legs

Pattern Number: 02C1H64

Step 1. Top Material

NT	No Top
FG	Full Glass
SG	3 Section
CG	Center Section only

Step 2. Top Finish

		SECTION TOP	CENTER TOP	FULL TOP
GC00	Clear Glass	N/A	N/A	+1065
GC __	Clear Glass back painted	+1,289	+500	N/A
GE __	Etched Glass back painted	+1,772	+723	N/A
CS01	Corian Glacier white	+2,195	+895	N/A
QS __	Caesarstone		Contact Rep.	

Step 3. Case Finish

SL __	Satin Lacquer	+0
T1	Veneer Tier 1	+1,254
T2	Veneer Tier 2	+2,449
HG __	High Gloss Polyester	+4,103

Step 4. Leg Finish

MC __	Powder Coat	+0
PM01	Polished Chrome	+411
PM02	Satin Nickel	+411
PM03	Oil Rubbed Bronze	+767

Step 5. Door/Drawer Face Finish

SL __	Satin Lacquer	+0
T1 __	Veneer Tier 1	+417
T2 __	Veneer Tier 2	+816
HG __	High Gloss Polyester	+1,368

Step 6. Configuration (3 positions - Left/Center/Right)

Specify Left to Right: Select case configurations for 3 available positions.

1 __ 18	Left
1 __ 24	Center
1 __ 18	Right

LEFT

10P18	Open	+0
1DW18	Drawer	+625

CENTER

10P24	Open	+0
1DW24	Drawers	+623

RIGHT

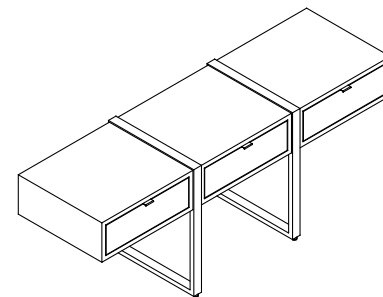
10P18	Open	+0
1DW18	Drawer	+625

Please consult [page 7](#) for the palette of DatesWeiser finishes. Natural stone, non-standard glass and veneer, and other technology options are available. Please email customerservice@datesweiser.com for a custom quote. Consult technical information on [page 293](#) for construction details and technical information.

1H Highline Credenza

76" Long

02C1H76



Starting Price: **\$10,236**

76" 1 High credenza, all open, satin lacquer, powder coat legs

Pattern Number: 02C1H76

Step 1. Top Material

NT	No Top
FG	Full Glass
SG	3 Section
CG	Center Section only

Step 2. Top Finish

		SECTION TOP	CENTER TOP	FULL TOP
GC00	Clear Glass	N/A	N/A	+1,267
GC __	Clear Glass back painted	+1,501	+500	N/A
GE __	Etched Glass back painted	+2,167	+723	N/A
CS01	Corian Glacier white	+2,686	+895	N/A
QS __	Caesarstone		Contact Rep.	

Step 3. Case Finish

SL __	Satin Lacquer	+0
T1	Veneer Tier 1	+1,427
T2	Veneer Tier 2	+2,791
HG __	High Gloss Polyester	+4,701

Step 4. Leg Finish

MC __	Powder Coat	+0
PM01	Polished Chrome	+411
PM02	Satin Nickel	+411
PM03	Oil Rubbed Bronze	+767

Step 5. Door/Drawer Face Finish

SL __	Satin Lacquer	+0
T1 __	Veneer Tier 1	+476
T2 __	Veneer Tier 2	+932
HG __	High Gloss Polyester	+1,566

Step 6. Configuration (3 positions - Left/Center/Right)

Specify Left to Right: Select case configurations for 3 available positions

1 __ 24	Left
1 __ 24	Center
1 __ 24	Right

LEFT

10P24	Open	+0
1DW24	Drawers	+ 623

CENTER

10P24	Open	+0
1DW24	Drawers	+ 623

RIGHT

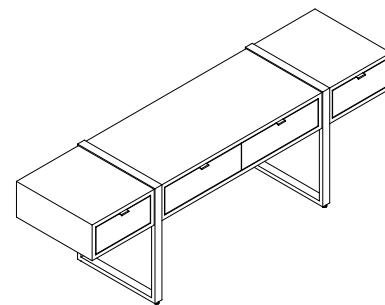
10P24	Open	+0
1DW24	Drawers	+ 623

Please consult [page 7](#) for the palette of DatesWeiser finishes. Natural stone, non-standard glass and veneer, and other technology options are available. Please email customerservice@datesweiser.com for a custom quote. Consult technical information on [page 293](#) for construction details and technical information.

1H Highline Credenza

87" Long

02C1H87



Starting Price: **\$11,394**

87" 1 High credenza, all open, satin lacquer, powder coat legs

Pattern Number: 02C1H87

Step 1. Top Material

NT	No Top
FG	Full Glass
SG	3 Section
CG	Center Section only

Step 2. Top Finish

		SECTION TOP	CENTER TOP	FULL TOP
GC00	Clear Glass	N/A	N/A	+1,444
GC __	Clear Glass back painted	+1,941	+1,154	N/A
GE __	Etched Glass back painted	+2,560	+1,510	N/A
CS01	Corian Glacier white	+3,357	+2,057	N/A
QS __	Caesarstone		Contact Rep.	

Step 3. Case Finish

SL __	Satin Lacquer	+0
T1	Veneer Tier 1	+1,586
T2	Veneer Tier 2	+3,110
HG __	High Gloss Polyester	+5,237

Step 4. Leg Finish

MC __	Powder Coat	+0
PM01	Polished Chrome	+411
PM02	Satin Nickel	+411
PM03	Oil Rubbed Bronze	+767

Step 5. Door/Drawer Face Finish

SL __	Satin Lacquer	+0
T1 __	Veneer Tier 1	+529
T2 __	Veneer Tier 2	+1,036
HG __	High Gloss Polyester	+1,746

Step 6. Configuration (3 positions - Left/Center/Right)

Specify Left to Right: Select case configurations for 3 available positions

1 __ 18	Left
1 __ 46	Center
1 __ 18	Right

LEFT

1OP18	Open	+ 0
1DW18	Drawers	+ 625

CENTER

1OP18	Open	+ 0
1DW46	Drawers	+1,262

RIGHT

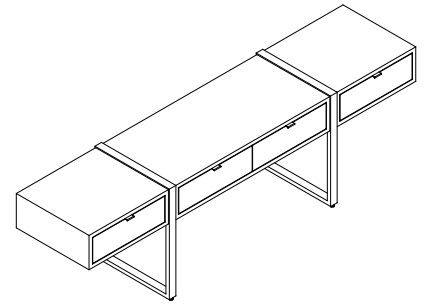
1OP18	Open	+ 0
1DW18	Drawers	+ 625

Please consult [page 7](#) for the palette of DatesWeiser finishes. Natural stone, non-standard glass and veneer, and other technology options are available. Please email customerservice@datesweiser.com for a custom quote. Consult technical information on [page 293](#) for construction details and technical information.

1H Highline Credenza

99" Long

02C1H99



Starting Price: **\$12,320**

99" 1 High credenza, all open, satin lacquer, powder coat legs

Pattern Number: 02C1H99

Step 1. Top Material

NT	No Top
FG	Full Glass
SG	3 Section
CG	Center Section only

Step 2. Top Finish

		SECTION TOP	CENTER TOP	FULL TOP
GC00	Clear Glass	N/A	N/A	+1,647
GC __	Clear Glass back painted	+2,155	+1,154	N/A
GE __	Etched Glass back painted	+2,954	+1,510	N/A
CS01	Corian Glacier white	+3,847	+2,057	N/A
QS __	Caesarstone		Contact Rep.	

Step 3. Case Finish

SL __	Satin Lacquer	+0
T1	Veneer Tier 1	+1,756
T2	Veneer Tier 2	+3,453
HG __	High Gloss Polyester	+5,839

Step 4. Leg Finish

MC __	Powder Coat	+0
PM01	Polished Chrome	+411
PM02	Satin Nickel	+411
PM03	Oil Rubbed Bronze	+767

Step 5. Door/Drawer Face Finish

SL __	Satin Lacquer	+0
T1 __	Veneer Tier 1	+585
T2 __	Veneer Tier 2	+1,151
HG __	High Gloss Polyester	+1,947

Step 6. Configuration (3 positions - Left/Center/Right)

Specify Left to Right: Select case configurations for 3 available positions

1 __ 24	Left
1 __ 46	Center
1 __ 24	Right

LEFT

10P24	Open	+ 0
1DW24	Drawer	+ 623

CENTER

10P46	Open	+0
1DW46	Drawers	+1,262

RIGHT

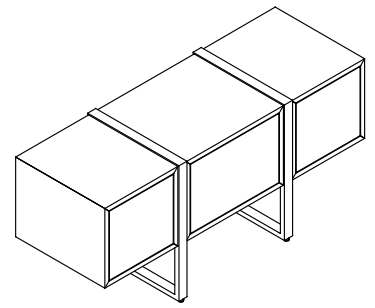
10P24	Open	+ 0
1DW24	Drawer	+ 623

Please consult [page 7](#) for the palette of DatesWeiser finishes. Natural stone, non-standard glass and veneer, and other technology options are available. Please email customerservice@datesweiser.com for a custom quote. Consult technical information on [page 293](#) for construction details and technical information.

2H Highline Credenza

64" Long

02C2H64



Starting Price: **\$12,100**

64" 2 High credenza, all doors, satin lacquer, powder coat legs

Pattern Number: 02C2H64

Step 1. Top Material

NT	No Top
FG	Full Glass
SG	3 Section
CG	Center Section only

Step 2. Top Finish

		SECTION TOP	CENTER TOP	FULL TOP
GC00	Clear Glass	N/A	N/A	+1,065
GC __	Clear Glass back painted	+1,289	+500	N/A
GE __	Etched Glass back painted	+1,772	+723	N/A
CS01	Corian Glacier white	+2,195	+895	N/A
QS __	Caesarstone		Contact Rep.	

Step 3. Case Finish

SL __	Satin Lacquer	+0
T1	Veneer Tier 1	+1,818
T2	Veneer Tier 2	+4,011
HG __	High Gloss Polyester	+7,543

Step 4. Leg Finish

MC __	Powder Coat	+0
PM01	Polished Chrome	+411
PM02	Satin Nickel	+411
PM03	Oil Rubbed Bronze	+767

Step 5. Door/Drawer Face Finish

SL __	Satin Lacquer	+0
T1 __	Veneer Tier 1	+605
T2 __	Veneer Tier 2	+1,337
HG __	High Gloss Polyester	+2,515

Step 6. Configuration (3 positions - Left/Center/Right)

Specify Left to Right: Select case configurations for 3 available positions

2 __ 18	Left
2 __ 24	Center
2 __ 18	Right

LEFT

2DR18	Door	+0
2DW18	Drawers	+477
2OW18	Open over Drawer	+377
2TT18	Trash thru Top	+875

CENTER

2DR24	Door	+0
2DW24	Drawers	+753
2OW24	Open over Drawer	+552

RIGHT

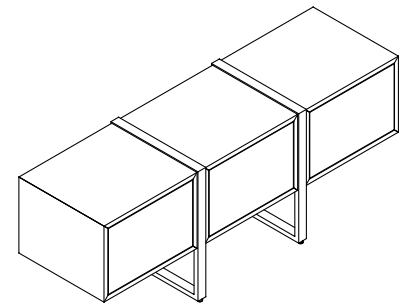
2DR18	Door	+0
2DW18	Drawers	+477
2OW18	Open over Drawer	+377
2TT18	Trash thru Top	+875

Please consult [page 7](#) for the palette of DatesWeiser finishes. Natural stone, non-standard glass and veneer, and other technology options are available. Please email customerservice@datesweiser.com for a custom quote. Consult technical information on [page 293](#) for construction details and technical information.

2H Highline Credenza

76" Long

02C2H76



Starting Price: **\$12,828**

76" 2 High credenza, all doors, satin lacquer, powder coat legs

Pattern Number: 02C2H76

Step 1. Top Material

NT	No Top
FG	Full Glass
SG	3 Section
CG	Center Section only

Step 2. Top Finish

		SECTION TOP	CENTER TOP	FULL TOP
GC00	Clear Glass	N/A	N/A	+1,267
GC __	Clear Glass back painted	+1,501	+500	N/A
GE __	Etched Glass back painted	+2,167	+723	N/A
CS01	Corian Glacier white	+2,686	+895	N/A
QS __	Caesarstone		Contact Rep.	

Step 3. Case Finish

SL __	Satin Lacquer	+0
T1	Veneer Tier 1	+1,997
T2	Veneer Tier 2	+4,431
HG __	High Gloss Polyester	+8,429

Step 4. Leg Finish

MC __	Powder Coat	+0
PM01	Polished Chrome	+411
PM02	Satin Nickel	+411
PM03	Oil Rubbed Bronze	+767

Step 5. Door/Drawer Face Finish

SL __	Satin Lacquer	+0
T1 __	Veneer Tier 1	+666
T2 __	Veneer Tier 2	+1,477
HG __	High Gloss Polyester	+2,810

Step 6. Configuration (3 positions - Left/Center/Right)

Specify Left to Right: Select case configurations for 3 available positions

2 __ 24	Left
2 __ 24	Center
2 __ 24	Right

LEFT

2DR24	Door	+ 0
2DW24	Drawers	+ 753
2OW24	Open over Drawer	+ 552
2TT24	Trash thru Top	+867

CENTER

2DR24	Door	+ 0
2DW24	Drawers	+ 753
2OW24	Open over Drawer	+ 552

RIGHT

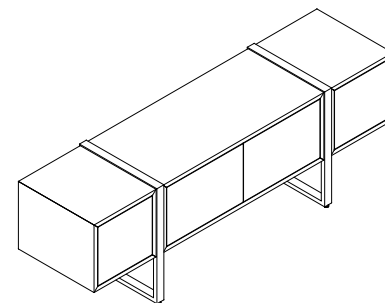
2DR24	Door	+ 0
2DW24	Drawers	+ 753
2OW24	Open over Drawer	+ 552
2TT24	Trash thru Top	+867

Please consult [page 7](#) for the palette of DatasWeiser finishes. Natural stone, non-standard glass and veneer, and other technology options are available. Please email customerservice@datasweiser.com for a custom quote. Consult technical information on [page 293](#) for construction details and technical information.

2H Highline Credenza

87" Long

02C2H87



Starting Price: **\$14,461**

87" 2 High credenza, all doors, satin lacquer, powder coat legs

Pattern Number: 02C2H87

Step 1. Top Material

NT	No Top
FG	Full Glass
SG	3 Section
CG	Center Section only

Step 2. Top Finish

		SECTION TOP	CENTER TOP	FULL TOP
GC00	Clear Glass	N/A	N/A	+1,444
GC __	Clear Glass back painted	+1,941	+1,154	N/A
GE __	Etched Glass back painted	+2,560	+1,510	N/A
CS01	Corian Glacier white	+3,357	+2,057	N/A
QS __	Caesarstone		Contact Rep.	

Step 3. Case Finish

SL __	Satin Lacquer	+0
T1	Veneer Tier 1	+2,228
T2	Veneer Tier 2	+4,904
HG __	High Gloss Polyester	+9,229

Step 4. Leg Finish

MC __	Powder Coat	+0
PM01	Polished Chrome	+411
PM02	Satin Nickel	+411
PM03	Oil Rubbed Bronze	+767

Step 5. Door/Drawer Face Finish

SL __	Satin Lacquer	+0
T1 __	Veneer Tier 1	+742
T2 __	Veneer Tier 2	+1,634
HG __	High Gloss Polyester	+3,077

Step 6. Configuration (3 positions - Left/Center/Right)

Specify Left to Right: Select case configurations for 3 available positions

2 __ 18	Left
2 __ 46	Center
2 __ 18	Right

LEFT

2DR18	Door	+0
2DW18	Drawers	+477
2OW18	Open over Drawer	+377
2TT18	Trash thru Top	+875

CENTER

2DR46	Doors	+0
2DW46	Drawers	+1,175
2OW46	Open over Drawers	+769

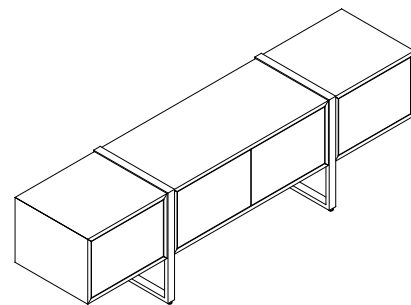
RIGHT

2DR18	Door	+0
2DW18	Drawers	+477
2OW18	Open over Drawer	+377
2TT18	Trash thru Top	+875

Please consult [page 7](#) for the palette of DatesWeiser finishes. Natural stone, non-standard glass and veneer, and other technology options are available. Please email customerservice@datesweiser.com for a custom quote. Consult technical information on [page 293](#) for construction details and technical information.

2H Highline Credenza

99" Long
O2C2H99



Starting Price: **\$15,357**

99" 2 High credenza, all doors, satin lacquer, powder coat legs

Pattern Number: O2C2H99

Step 1. Top Material

NT	No Top
FG	Full Glass
SG	3 Section
CG	Center Section only

Step 2. Top Finish

		SECTION TOP	CENTER TOP	FULL TOP
GC00	Clear Glass	N/A	N/A	+1,647
GC __	Clear Glass back painted	+2,155	+1,154	N/A
GE __	Etched Glass back painted	+2,954	+1,510	N/A
CS01	Corian Glacier white	+3,847	+2,057	N/A
QS __	Caesarstone		Contact Rep.	

Step 3. Case Finish

SL __	Satin Lacquer	+0
T1	Veneer Tier 1	+2,455
T2	Veneer Tier 2	+5,377
HG __	High Gloss Polyester	+10,117

Step 4. Leg Finish

MC __	Powder Coat	+0
PM01	Polished Chrome	+411
PM02	Satin Nickel	+411
PM03	Oil Rubbed Bronze	+767

Step 5. Door/Drawer Face Finish

SL __	Satin Lacquer	+0
T1 __	Veneer Tier 1	+819
T2 __	Veneer Tier 2	+1,793
HG __	High Gloss Polyester	+3,372

Step 6. Configuration (3 positions - Left/Center/Right)

Specify Left to Right: Select case configurations for 3 available positions

2 __ 24	Left
2 __ 46	Center
2 __ 24	Right

LEFT

2DR24	Door	+ 0
2DW24	Drawers	+ 753
2OW24	Open over Drawer	+552
2TT24	Trash thru Top	+867

CENTER

2DR46	Doors	+0
2DW46	Drawers	+1,175
2OW46	Open over Drawers	+769

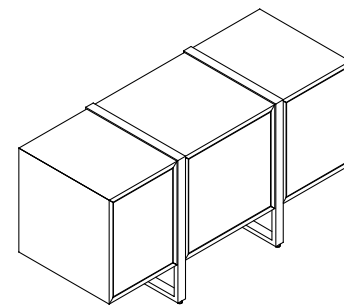
RIGHT

2DR24	Door	+ 0
2DW24	Drawers	+ 753
2OW24	Open over Drawer	+552
2TT24	Trash thru Top	+867

Please consult [page 7](#) for the palette of DatesWeiser finishes. Natural stone, non-standard glass and veneer, and other technology options are available. Please email customerservice@datesweiser.com for a custom quote. Consult technical information on [page 293](#) for construction details and technical information.

3H Highline Credenza

64" Long
02C3H64



Starting Price: **\$13,274**

64" 3 High credenza, all doors, satin lacquer, powder coat legs

Pattern Number: 02C3H64

Step 1. Top Material

NT	No Top
FG	Full Glass
SG	3 Section
CG	Center Section only

Step 2. Top Finish

		SECTION TOP	CENTER TOP	FULL TOP
GC00	Clear Glass	N/A	N/A	+1,065
GC __	Clear Glass back painted	+1,289	+500	N/A
GE __	Etched Glass back painted	+1,772	+723	N/A
CS01	Corian Glacier white	+2,195	+895	N/A
QS __	Caesarstone		Contact Rep.	

Step 3. Case Finish

SL __	Satin Lacquer	+0
T1	Veneer Tier 1	+2,262
T2	Veneer Tier 2	+5,237
HG __	High Gloss Polyester	+10,275

Step 4. Leg Finish

MC __	Powder Coat	+0
PM01	Polished Chrome	+411
PM02	Satin Nickel	+411
PM03	Oil Rubbed Bronze	+767

Step 5. Door/Drawer Face Finish

SL __	Satin Lacquer	+0
T1 __	Veneer Tier 1	+753
T2 __	Veneer Tier 2	+1,746
HG __	High Gloss Polyester	+3,426

Step 6. Configuration (3 positions - Left/Center/Right)

Specify Left to Right: Select case configurations for 3 available positions

3 __ 18	Left
3 __ 24	Center
3 __ 18	Right

LEFT

3DR18	Door	+ 0
3DW18	Drawers	+ 1,023
3OW18	Open over Drawer	+ 813
3OR18	Open over Door	+ 696
3TT18	Trash thru Top	+879
3TP18	Trash Pull-Out	+1,528
3AV18	AV Case	+487

CENTER

3DR24	Door	+0
3DW24	Drawers	+1,347
3OW24	Open over Drawer	+734
3OR24	Open over Door	+702
3TT24	Trash thru Top	+864
3TP24	Trash Pull-Out	+1,510
3AV24	AV Case	+475

RIGHT

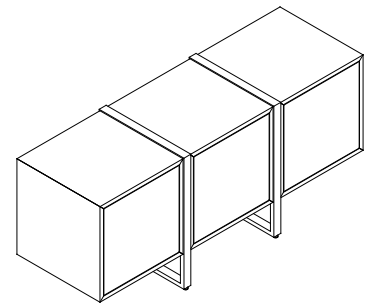
3DR18	Door	+ 0
3DW18	Drawers	+ 1,023
3OW18	Open over Drawer	+ 813
3OR18	Open over Door	+ 696
3TT18	Trash thru Top	+879
3TP18	Trash Pull-Out	+1,528
3AV18	AV Case	+487

Please consult [page 7](#) for the palette of DatesWeiser finishes. Natural stone, non-standard glass and veneer, and other technology options are available. Please email customerservice@datesweiser.com for a custom quote. Consult technical information on [page 293](#) for construction details and technical information.

3H Highline Credenza

76" Long

02C3H76



Starting Price: **\$14,692**

76" 3 High credenza, all doors, satin lacquer, powder coat legs

Pattern Number: 02C3H76

Step 1. Top Material

NT	No Top
FG	Full Glass
SG	3 Section
CG	Center Section only

Step 2. Top Finish

		SECTION TOP	CENTER TOP	FULL TOP
GC00	Clear Glass	N/A	N/A	+1,267
GC __	Clear Glass back painted	+1,501	+500	N/A
GE __	Etched Glass back painted	+2,167	+723	N/A
CS01	Corian Glacier white	+2,686	+895	N/A
QS __	Caesarstone		Contact Rep.	

Step 3. Case Finish

SL __	Satin Lacquer	+0
T1	Veneer Tier 1	+2,455
T2	Veneer Tier 2	+5,734
HG __	High Gloss Polyester	+11,240

Step 4. Leg Finish

MC __	Powder Coat	+0
PM01	Polished Chrome	+411
PM02	Satin Nickel	+411
PM03	Oil Rubbed Bronze	+767

Step 5. Door/Drawer Face Finish

SL __	Satin Lacquer	+0
T1 __	Veneer Tier 1	+819
T2 __	Veneer Tier 2	+1,912
HG __	High Gloss Polyester	+3,747

Step 6. Configuration (3 positions - Left/Center/Right)

Specify Left to Right: Select case configurations for 3 available positions

3 __ 24	Left
3 __ 24	Center
3 __ 24	Right

LEFT

3DR24	Door	+0
3DW24	Drawers	+1,347
3OW24	Open over Drawer	+734
3OR24	Open over Door	+702
3TT24	Trash thru Top	+864
3TP24	Trash Pull-Out	+1,510
3AV24	AV Case	+475

CENTER

3DR24	Door	+0
3DW24	Drawers	+1,347
3OW24	Open over Drawer	+734
3OR24	Open over Door	+702
3TT24	Trash thru Top	+864
3TP24	Trash Pull-Out	+1,510
3AV24	AV Case	+475

RIGHT

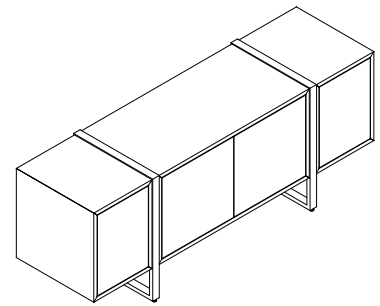
3DR24	Door	+0
3DW24	Drawers	+1,347
3OW24	Open over Drawer	+734
3OR24	Open over Door	+702
3TT24	Trash thru Top	+864
3TP24	Trash Pull-Out	+1,510
3AV24	AV Case	+475

Please consult [page 7](#) for the palette of DatesWeiser finishes. Natural stone, non-standard glass and veneer, and other technology options are available. Please email customerservice@datesweiser.com for a custom quote. Consult technical information on [page 293](#) for construction details and technical information.

3H Highline Credenza

87" Long

02C3H87



Starting Price: **\$15,745**

87" 3 High credenza, all doors, satin lacquer, powder coat legs

Pattern Number: 02C3H87

Step 1. Top Material

NT	No Top
FG	Full Glass
SG	3 Section
CG	Center Section only

Step 2. Top Finish

		SECTION TOP	CENTER TOP	FULL TOP
GC00	Clear Glass	N/A	N/A	+1,444
GC __	Clear Glass back painted	+1,941	+1,154	N/A
GE __	Etched Glass back painted	+2,560	+1,510	N/A
CS01	Corian Glacier white	+3,357	+2,057	N/A
QS __	Caesarstone		Contact Rep.	

Step 3. Case Finish

SL __	Satin Lacquer	+0
T1	Veneer Tier 1	+2,796
T2	Veneer Tier 2	+6,350
HG __	High Gloss Polyester	+12,358

Step 4. Leg Finish

MC __	Powder Coat	+0
PM01	Polished Chrome	+411
PM02	Satin Nickel	+411
PM03	Oil Rubbed Bronze	+767

Step 5. Door/Drawer Face Finish

SL __	Satin Lacquer	+0
T1 __	Veneer Tier 1	+933
T2 __	Veneer Tier 2	+2,116
HG __	High Gloss Polyester	+4,119

Step 6. Configuration (3 positions - Left/Center/Right)

Specify Left to Right: Select case configurations for 3 available positions

3 __ 18	Left
3 __ 46	Center
3 __ 18	Right

LEFT

3DR18	Door	+ 0
3DW18	Drawers	+1,023
3OW18	Open over Drawer	+813
3OR18	Open over Door	+696
3TT18	Trash thru Top	+879
3TP18	Trash Pull-Out	+1,528
3AV18	AV Case	+487

CENTER

3DR46	Doors	+0
3DW46	Drawers	+1,680
3OW46	Open over Drawers	+1,298
3OR46	Open over Doors	+391
3AV46	AV Case	+68

RIGHT

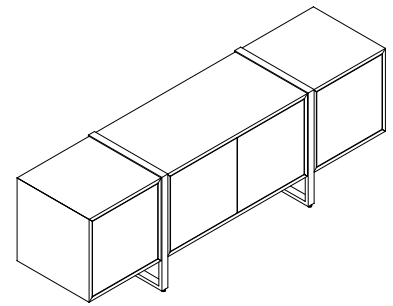
3DR18	Door	+ 0
3DW18	Drawers	+1023
3OW18	Open over Drawer	+813
3OR18	Open over Door	+696
3TT18	Trash thru Top	+879
3TP18	Trash Pull-Out	+1,528
3AV18	AV Case	+487

Please consult [page 7](#) for the palette of DatesWeiser finishes. Natural stone, non-standard glass and veneer, and other technology options are available. Please email customerservice@datesweiser.com for a custom quote. Consult technical information on [page 293](#) for construction details and technical information.

3H Highline Credenza

99" Long

02C3H99



Starting Price: **\$17,648**

99" 3 High credenza, all doors, satin lacquer, powder coat legs

Pattern Number: 02C3H99

Step 1. Top Material

NT	No Top
FG	Full Glass
SG	3 Section
CG	Center Section only

Step 2. Top Finish

		SECTION TOP	CENTER TOP	FULL TOP
GC00	Clear Glass	N/A	N/A	+1,647
GC __	Clear Glass back painted	+2,155	+1,154	N/A
GE __	Etched Glass back painted	+2,954	+1,510	N/A
CS01	Corian Glacier white	+3,847	+2,057	N/A
QS __	Caesarstone		Contact Rep.	

Step 3. Case Finish

SL __	Satin Lacquer	+0
T1	Veneer Tier 1	+3,601
T2	Veneer Tier 2	+7,483
HG __	High Gloss Polyester	+14,129

Step 4. Leg Finish

MC __	Powder Coat	+0
PM01	Polished Chrome	+411
PM02	Satin Nickel	+411
PM03	Oil Rubbed Bronze	+767

Step 5. Door/Drawer Face Finish

SL __	Satin Lacquer	+0
T1 __	Veneer Tier 1	+1,200
T2 __	Veneer Tier 2	+2,495
HG __	High Gloss Polyester	+4,710

Step 6. Configuration (3 positions - Left/Center/Right)

Specify Left to Right: Select case configurations for 3 available positions

3 __ 24	Left
3 __ 46	Center
3 __ 24	Right

LEFT

3DR24	Door	+0
3DW24	Drawers	+1,347
3OW24	Open over Drawer	+734
3OR24	Open over Door	+702
3TT24	Trash thru Top	+864
3TP24	Trash Pull-Out	+1,510
3AV24	AV Case	+475

CENTER

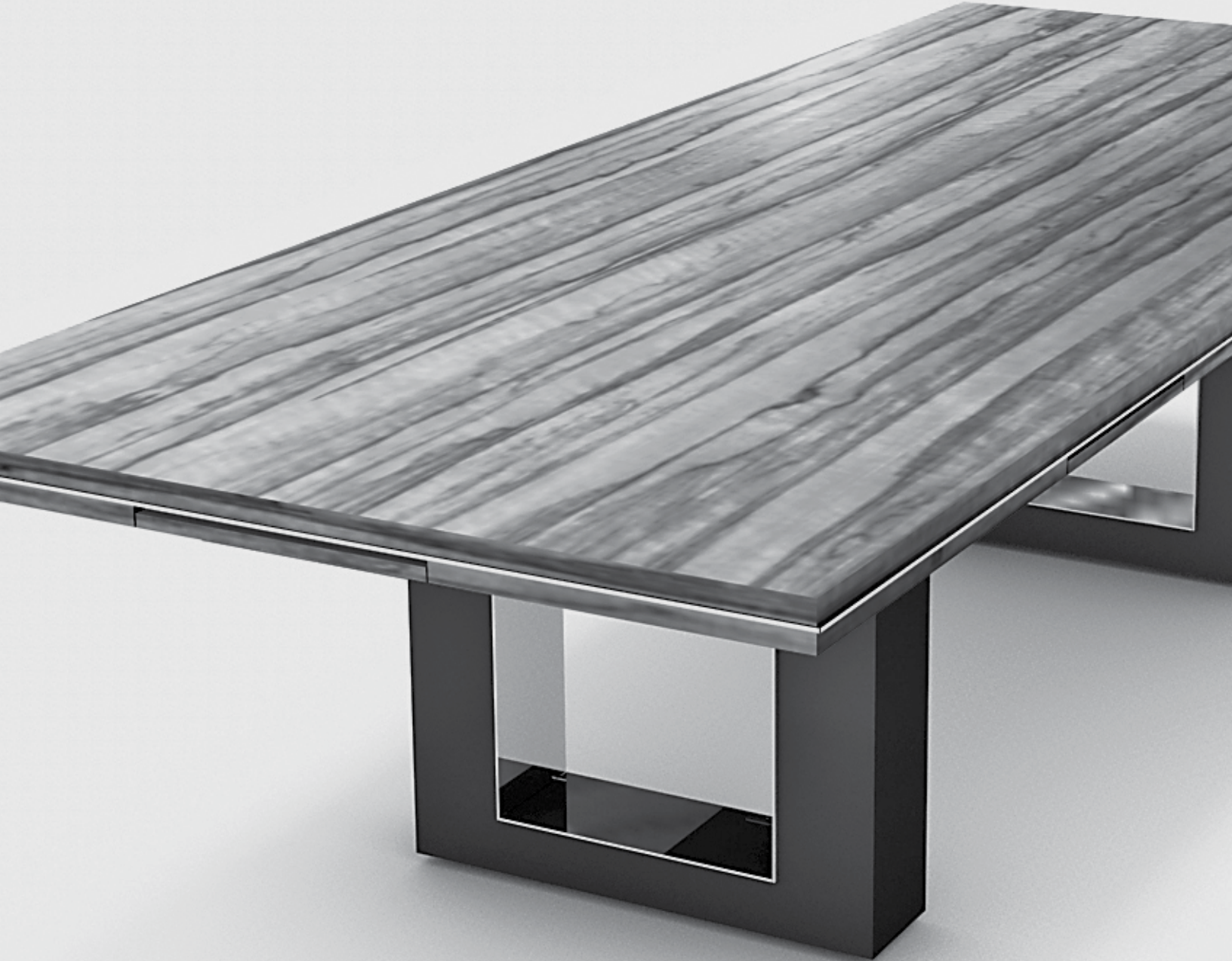
3DR46	Doors	+0
3DW46	Drawers	+1,680
3OW46	Open over Drawers	+1,298
3OR46	Open over Doors	+391
3AV46	AV Case	+68

RIGHT

3DR24	Door	+0
3DW24	Drawers	+1,347
3OW24	Open over Drawer	+734
3OR24	Open over Door	+702
3TT24	Trash thru Top	+864
3TP24	Trash Pull-Out	+1,510
3AV24	AV Case	+475

Please consult [page 7](#) for the palette of DatesWeiser finishes. Natural stone, non-standard glass and veneer, and other technology options are available. Please email customerservice@datesweiser.com for a custom quote. Consult technical information on [page 293](#) for construction details and technical information.

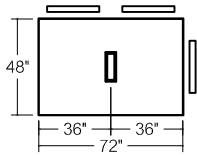
Highline Fifty Collection



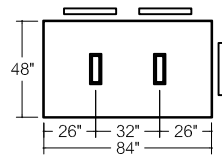
DATESWEISER

Highline Fifty Conference Tables Index

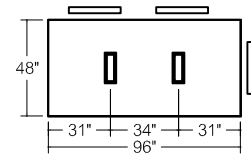
48" width



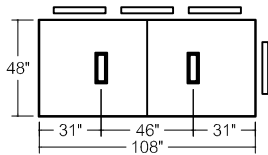
03R48X72
6 Person Table



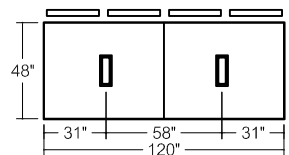
03R48X84
6 Person Table



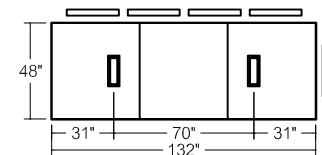
03R48X96
6 Person Table



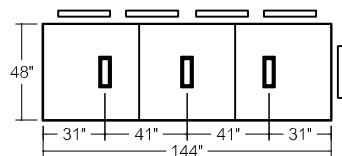
03R48X108
8 Person Table



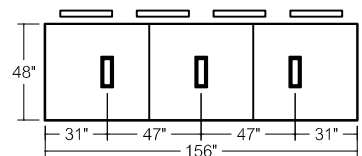
03R48X120
10 Person Table



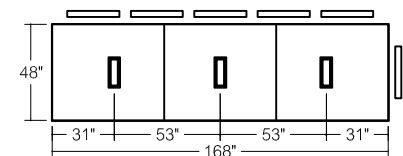
03R48X132
10 Person Table



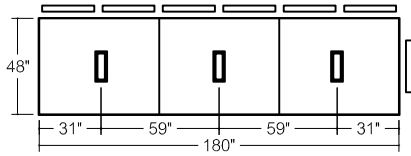
03R48X144
10 Person Table



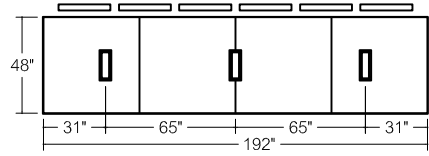
03R48X156
10 Person Table



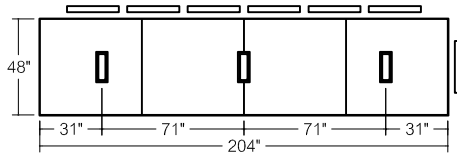
03R48X168
12 Person Table



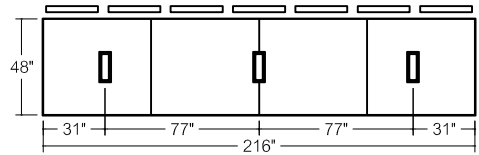
03R48X180
14 Person Table



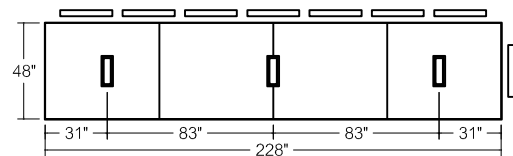
03R48X192
14 Person Table



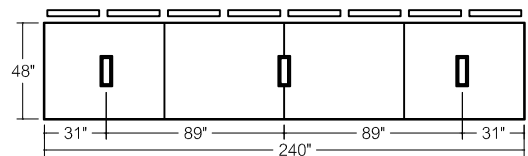
03R48X204
14 Person Table



03R48X216
16 Person Table



03R48X228
16 Person Table

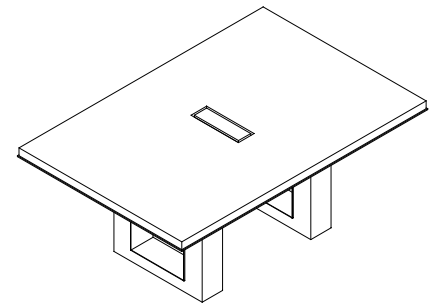


03R48X240
18 Person Table

Highline Fifty Rectangular Conference Table

48"x72"/ 6 Person

03R48X72



Starting Price: **\$15,287**

48x72 table, slab veneer Tier 1 top, open painted base with no metal trim, powder coat finish

Base Pattern Number: 03R48X72

Step 1. Top Material

S	Slab (veneer only)	
V	Veneer layered	
G	Glass layered	
C	Corian layered	
Q	Caesarstone layered	

Step 2. Base Options

ON	Open Base, no metal trim	+ 0
MC __	Open Base, MC metal trim	+3,501
PM01	Open Base, PM01 metal trim	+4,710
PM02	Open Base, PM02 metal trim	+4,710
PM03	Open Base, PM03 metal trim	+5,886

Step 3. Edge Selection/Finish

N __	No Edge	+0
AU __	Spinneybeck Leather: Acqua	+\$2,019
MC __	Powder Coat	+0
PM01	Polished Chrome	+828
PM02	Satin Nickel	+828
PM03	Oil Rubbed Bronze	+828

Step 4A. Top Finish

T1 __	Veneer Tier 1	+0
T2 __	Veneer Tier 2	+649
GC __	Clear Glass, back painted	+3,553
GE __	Etched matte Glass, back painted	+4,140
CS01	Corian Glacier White	+4,085
QS __	Caesarstone	Contact Rep.

Step 4B. Lower Layer Finish (Layer top only)

SL __	Satin Lacquer	+325
T ___	Veneer Tier 1, 2, 3	+518
HG __	High Gloss Polyester	+569

Step 5. Base Finish

T1 __	Veneer Tier 1	+882
T2 __	Veneer Tier 2	+1,848
SL __	Satin Lacquer	+0
HG __	High Gloss Polyester	+4,036

Step 6. Power & Connectivity Access: Optional

DRHW	Drawer, Hardwired (layered edge only), Qty 4	+8,016
DRPI	Drawer, Plug In (layered edge only), Qty 4	+6,864
DRLK	Drawer, Linkable (layered edge only), Qty 4	+6,864
TMHW	Tabletop Metal lid, Hardwired, Qty 1	+4,398
TMPI	Tabletop Metal lid, Plug In, Qty 1	+3,748
TMLK	Tabletop Metal lid, Linkable, Qty 1	+3,197
TWHW	Tabletop Wood lid, Hardwired (veneer tops only), Qty 1	+4,031
TWPI	Tabletop Wood lid, Plug In (veneer tops only), Qty 1	+3,379
TWLK	Tabletop Wood lid, Linkable (veneer tops only), Qty 1	+2,831
UMHW	Undermount, Hardwired, Qty 4	+4,788
UMPI	Undermount, Plug In, Qty 4	+3,480
UMLK	Undermount, Linkable, Qty 4	+3,480
SOHW	Slide Out Power Box, Hardwired, Qty 4	+8,340
SOPI	Slide Out Power Box, Plug In, Qty 4	+7,076
SOLK	Slide Out Power Box, Linkable, Qty 4	+7,076

Step 7. Microphone and/or Grommet Accommodations: Optional

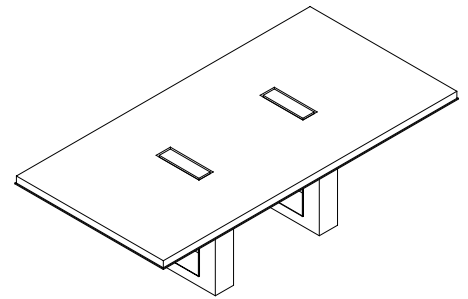
MA __	Microphone hole (factory cut)	Qty __ x 377 each
GM __	2" Grommet hole (factory cut), liner, lid, in matching metal finish	Qty __ x 496 each

Please consult [page 7](#) for the palette of DatesWeiser finishes. Natural stone, non-standard glass and veneer, and other technology options are available. Please email customerservice@datesweiser.com for a custom quote. Consult technical information on [page 298](#) for construction details and technical information.

Highline Fifty Rectangular Conference Table

48"x84"/ 6 Person

03R48X84



Starting Price: **\$16,411**

48x84 table, slab veneer Tier 1 top, open painted base with no metal trim, powder coat finish

Base Pattern Number: 03R48X84

Step 1. Top Material

S	Slab (veneer only)
V	Veneer layered
G	Glass layered
C	Corian layered
Q	Caesarstone layered

Step 2. Base Options

ON	Open Base, no metal trim	+ 0
MC __	Open Base, MC metal trim	+3,501
PM01	Open Base, PM01 metal trim	+4,710
PM02	Open Base, PM02 metal trim	+4,710
PM03	Open Base, PM03 metal trim	+5,886

Step 3. Edge Selection/Finish

N __	No Edge	+0
AU __	Spinneybeck Leather: Acqua	+\$2,222
MC __	Powder Coat	+0
PM01	Polished Chrome	+1,291
PM02	Satin Nickel	+1,291
PM03	Oil Rubbed Bronze	+1,291

Step 4A. Top Finish

T1 __	Veneer Tier 1	+0
T2 __	Veneer Tier 2	+756
GC __	Clear Glass, back painted	+4,084
GE __	Etched matte Glass, back painted	+4,770
CS01	Corian Glacier White	+4,767
QS __	Caesarstone	Contact Rep.

Step 4B. Lower Layer Finish (Layer top only)

SL __	Satin Lacquer	+389
T ___	Veneer Tier 1, 2, 3	+589
HG __	High Gloss Polyester	+649

Step 5. Base Finish

T1 __	Veneer Tier 1	+882
T2 __	Veneer Tier 2	+1,848
SL __	Satin Lacquer	+0
HG __	High Gloss Polyester	+4,036

Step 6. Power & Connectivity Access: Optional

DRHW	Drawer, Hardwired (layered edge only), Qty 4	+8,016
DRPI	Drawer, Plug In (layered edge only), Qty 4	+6,864
DRLK	Drawer, Linkable (layered edge only), Qty 4	+6,864
TMHW	Tabletop Metal lid, Hardwired, Qty 2	+8,796
TMPI	Tabletop Metal lid, Plug In, Qty 2	+7,496
TMLK	Tabletop Metal lid, Linkable, Qty 2	+6,394
TWHW	Tabletop Wood lid, Hardwired (veneer tops only), Qty 2	+8,062
TWPI	Tabletop Wood lid, Plug In (veneer tops only), Qty 2	+6,758
TWLK	Tabletop Wood lid, Linkable (veneer tops only), Qty 2	+5,662
UMHW	Undermount, Hardwired, Qty 4	+4,788
UMPI	Undermount, Plug In, Qty 4	+3,480
UMLK	Undermount, Linkable, Qty 4	+3,480
SOHW	Slide Out Power Box, Hardwired, Qty 4	+8,340
SOPI	Slide Out Power Box, Plug In, Qty 4	+7,076
SOLK	Slide Out Power Box, Linkable, Qty 4	+7,076

Step 7. Microphone and/or Grommet Accommodations: Optional

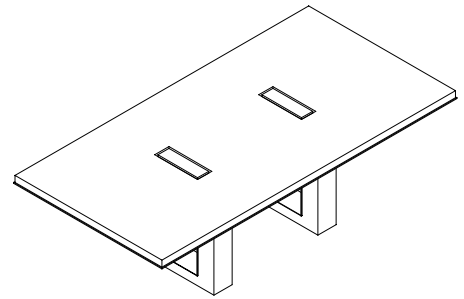
MA __	Microphone hole (factory cut)	Qty __ x 377 each
GM __	2" Grommet hole (factory cut), liner, lid, in matching metal finish	Qty __ x 496 each

Please consult [page 7](#) for the palette of DatesWeiser finishes. Natural stone, non-standard glass and veneer, and other technology options are available. Please email customerservice@datesweiser.com for a custom quote. Consult technical information on [page 298](#) for construction details and technical information.

Highline Fifty Rectangular Conference Table

48"x96"/ 6 Person

03R48X96



Starting Price: **\$17,260**

48x96 table, slab veneer Tier 1 top, open painted base with no metal trim, powder coat finish

Base Pattern Number: 03R48X96

Step 1. Top Material

S	Slab (veneer only)	
V	Veneer layered	
G	Glass layered	
C	Corian layered	
Q	Caesarstone layered	

Step 2. Base Options

ON	Open Base, no metal trim	+ 0
MC __	Open Base, MC metal trim	+3,501
PM01	Open Base, PM01 metal trim	+4,710
PM02	Open Base, PM02 metal trim	+4,710
PM03	Open Base, PM03 metal trim	+5,886

Step 3. Edge Selection/Finish

N __	No Edge	+0
AU __	Spinneybeck Leather: Acqua	+\$2,423
MC __	Powder Coat	+0
PM01	Polished Chrome	+1,291
PM02	Satin Nickel	+1,291
PM03	Oil Rubbed Bronze	+1,291

Step 4A. Top Finish

T1 __	Veneer Tier 1	+0
T2 __	Veneer Tier 2	+864
GC __	Clear Glass, back painted	+4,606
GE __	Etched matte Glass, back painted	+5,391
CS01	Corian Glacier White	+5,448
QS __	Caesarstone	Contact Rep.

Step 4B. Lower Layer Finish (Layer top only)

SL __	Satin Lacquer	+407
T __ __	Veneer Tier 1, 2, 3	+613
HG __	High Gloss Polyester	+677

Step 5. Base Finish

T1 __	Veneer Tier 1	+882
T2 __	Veneer Tier 2	+1,848
SL __	Satin Lacquer	+0
HG __	High Gloss Polyester	+4,036

Step 6. Power & Connectivity Access: Optional

DRHW	Drawer, Hardwired (layered edge only), Qty 4	+8,016
DRPI	Drawer, Plug In (layered edge only), Qty 4	+6,864
DRLK	Drawer, Linkable (layered edge only), Qty 4	+6,864
TMHW	Tabletop Metal lid, Hardwired, Qty 2	+8,796
TMPI	Tabletop Metal lid, Plug In, Qty 2	+7,496
TMLK	Tabletop Metal lid, Linkable, Qty 2	+6,394
TWHW	Tabletop Wood lid, Hardwired (veneer tops only), Qty 2	+8,062
TWPI	Tabletop Wood lid, Plug In (veneer tops only), Qty 2	+6,758
TWLK	Tabletop Wood lid, Linkable (veneer tops only), Qty 2	+5,662
UMHW	Undermount, Hardwired, Qty 4	+4,788
UMPI	Undermount, Plug In, Qty 4	+3,480
UMLK	Undermount, Linkable, Qty 4	+3,480
SOHW	Slide Out Power Box, Hardwired, Qty 4	+8,340
SOPI	Slide Out Power Box, Plug In, Qty 4	+7,076
SOLK	Slide Out Power Box, Linkable, Qty 4	+7,076

Step 7. Microphone and/or Grommet Accommodations: Optional

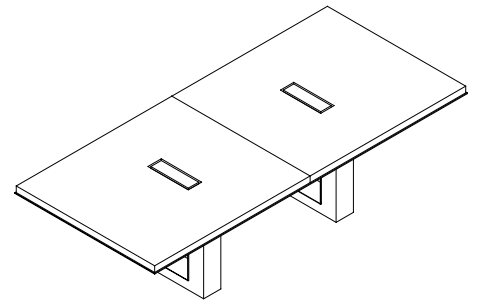
MA __	Microphone hole (factory cut)	Qty __ x 377 each
GM __	2" Grommet hole (factory cut), liner, lid, in matching metal finish	Qty __ x 496 each

Please consult [page 7](#) for the palette of DatesWeiser finishes. Natural stone, non-standard glass and veneer, and other technology options are available. Please email customerservice@datesweiser.com for a custom quote. Consult technical information on [page 298](#) for construction details and technical information.

Highline Fifty Rectangular Conference Table

48"x108"/ 8 Person

03R48X108



Starting Price: **\$18,762**

48x108 table, slab veneer Tier 1 top, open painted base with no metal trim, powder coat finish

Base Pattern Number: 03R48X108

Step 1. Top Material

S	Slab (veneer only)	
V	Veneer layered	
G	Glass layered	
C	Corian layered	
Q	Caesarstone layered	

Step 2. Base Options

ON	Open Base, no metal trim	+ 0
MC __	Open Base, MC metal trim	+3,501
PM01	Open Base, PM01 metal trim	+4,710
PM02	Open Base, PM02 metal trim	+4,710
PM03	Open Base, PM03 metal trim	+5,886

Step 3. Edge Selection/Finish

N __	No Edge	+0
AU __	Spinneybeck Leather: Acqua	+\$2,625
MC __	Powder Coat	+0
PM01	Polished Chrome	+1,291
PM02	Satin Nickel	+1,291
PM03	Oil Rubbed Bronze	+1,291

Step 4A. Top Finish

T1 __	Veneer Tier 1	+0
T2 __	Veneer Tier 2	+971
GC __	Clear Glass, back painted	+5,154
GE __	Etched matte Glass, back painted	+6,035
CS01	Corian Glacier White	+6,129
QS __	Caesarstone	Contact Rep.

Step 4B. Lower Layer Finish (Layer top only)

SL __	Satin Lacquer	+446
T __ __	Veneer Tier 1, 2, 3	+679
HG __	High Gloss Polyester	+748

Step 5. Base Finish

T1 __	Veneer Tier 1	+882
T2 __	Veneer Tier 2	+1,848
SL __	Satin Lacquer	+0
HG __	High Gloss Polyester	+4,036

Step 6. Power & Connectivity Access: Optional

DRHW	Drawer, Hardwired (layered edge only), Qty 4	+8,016
DRPI	Drawer, Plug In (layered edge only), Qty 4	+6,864
DRLK	Drawer, Linkable (layered edge only), Qty 4	+6,864
TMHW	Tabletop Metal lid, Hardwired, Qty 2	+8,796
TMPI	Tabletop Metal lid, Plug In, Qty 2	+7,496
TMLK	Tabletop Metal lid, Linkable, Qty 2	+6,394
TWHW	Tabletop Wood lid, Hardwired (veneer tops only), Qty 2	+8,062
TWPI	Tabletop Wood lid, Plug In (veneer tops only), Qty 2	+6,758
TWLK	Tabletop Wood lid, Linkable (veneer tops only), Qty 2	+5,662
UMHW	Undermount, Hardwired, Qty 4	+4,788
UMPI	Undermount, Plug In, Qty 4	+3,480
UMLK	Undermount, Linkable, Qty 4	+3,480
SOHW	Slide Out Power Box, Hardwired, Qty 4	+8,340
SOPI	Slide Out Power Box, Plug In, Qty 4	+7,076
SOLK	Slide Out Power Box, Linkable, Qty 4	+7,076

Step 7. Microphone and/or Grommet Accommodations: Optional

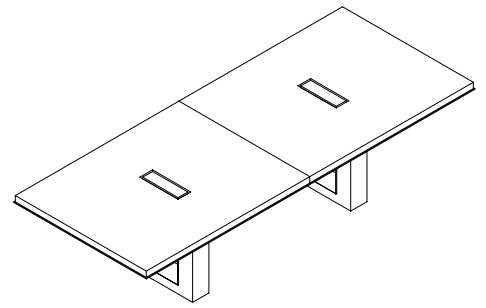
MA __	Microphone hole (factory cut)	Qty __ x 377 each
GM __	2" Grommet hole (factory cut), liner, lid, in matching metal finish	Qty __ x 496 each

Please consult [page 7](#) for the palette of DatesWeiser finishes. Natural stone, non-standard glass and veneer, and other technology options are available. Please email customerservice@datesweiser.com for a custom quote. Consult technical information on [page 298](#) for construction details and technical information.

Highline Fifty Rectangular Conference Table

48"x120"/ 10 Person

03R48X120



Starting Price: **\$19,822**

48x120 table, slab veneer Tier 1 top, open painted base with no metal trim, powder coat finish

Base Pattern Number: 03R48X120

Step 1. Top Material

S	Slab (veneer only)
V	Veneer layered
G	Glass layered
C	Corian layered
Q	Caesarstone layered

Step 2. Base Options

ON	Open Base, no metal trim	+ 0
MC __	Open Base, MC metal trim	+3,501
PM01	Open Base, PM01 metal trim	+4,710
PM02	Open Base, PM02 metal trim	+4,710
PM03	Open Base, PM03 metal trim	+5,886

Step 3. Edge Selection/Finish

N __	No Edge	+0
AU __	Spinneybeck Leather: Acqua	+\$2,827
MC __	Powder Coat	+0
PM01	Polished Chrome	+1,345
PM02	Satin Nickel	+1,345
PM03	Oil Rubbed Bronze	+1,345

Step 4A. Top Finish

T1 __	Veneer Tier 1	+0
T2 __	Veneer Tier 2	+1,081
GC __	Clear Glass, back painted	+5,684
GE __	Etched matte Glass, back painted	+6,663
CS01	Corian Glacier White	+6,810
QS __	Caesarstone	Contact Rep.

Step 4B. Lower Layer Finish (Layer top only)

SL __	Satin Lacquer	+583
T __ __	Veneer Tier 1, 2, 3	+776
HG __	High Gloss Polyester	+853

Step 5. Base Finish

T1 __	Veneer Tier 1	+882
T2 __	Veneer Tier 2	+1,848
SL __	Satin Lacquer	+0
HG __	High Gloss Polyester	+4,036

Step 6. Power & Connectivity Access: Optional

DRHW	Drawer, Hardwired (layered edge only), Qty 6	+12,024
DRPI	Drawer, Plug In (layered edge only), Qty 6	+10,296
DRLK	Drawer, Linkable (layered edge only), Qty 6	+10,296
TMHW	Tabletop Metal lid, Hardwired, Qty 2	+8,796
TMPI	Tabletop Metal lid, Plug In, Qty 2	+7,496
TMLK	Tabletop Metal lid, Linkable, Qty 2	+6,394
TWHW	Tabletop Wood lid, Hardwired (veneer tops only), Qty 2	+8,062
TWPI	Tabletop Wood lid, Plug In (veneer tops only), Qty 2	+6,758
TWLK	Tabletop Wood lid, Linkable (veneer tops only), Qty 2	+5,662
UMHW	Undermount, Hardwired, Qty 6	+7,182
UMPI	Undermount, Plug In, Qty 6	+5,220
UMLK	Undermount, Linkable, Qty 6	+5,220
SOHW	Slide Out Power Box, Hardwired, Qty 6	+12,510
SOPI	Slide Out Power Box, Plug In, Qty 6	+10,614
SOLK	Slide Out Power Box, Linkable, Qty 6	+10,614

Step 7. Microphone and/or Grommet Accommodations: Optional

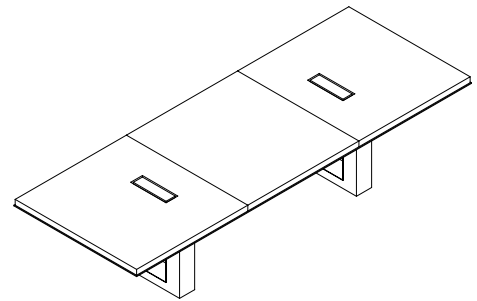
MA __	Microphone hole (factory cut)	Qty __ x 377 each
GM __	2" Grommet hole (factory cut), liner, lid, in matching metal finish	Qty __ x 496 each

Please consult [page 7](#) for the palette of DatesWeiser finishes. Natural stone, non-standard glass and veneer, and other technology options are available. Please email customerservice@datesweiser.com for a custom quote. Consult technical information on [page 298](#) for construction details and technical information.

Highline Fifty Rectangular Conference Table

48"x132"/ 10 Person

03R48X132



Starting Price: **\$24,767**

48x132 table, slab veneer Tier 1 top, open painted base with no metal trim, powder coat finish

Base Pattern Number: 03R48X132

Step 1. Top Material

S	Slab (veneer only)
V	Veneer layered
G	Glass layered
C	Corian layered
Q	Caesarstone layered

Step 2. Base Options

ON	Open Base, no metal trim	+ 0
MC __	Open Base, MC metal trim	+3,501
PM01	Open Base, PM01 metal trim	+4,710
PM02	Open Base, PM02 metal trim	+4,710
PM03	Open Base, PM03 metal trim	+5,886

Step 3. Edge Selection/Finish

N __	No Edge	+0
AU __	Spinneybeck Leather: Acqua	+\$3,029
MC __	Powder Coat	+0
PM01	Polished Chrome	+1,346
PM02	Satin Nickel	+1,346
PM03	Oil Rubbed Bronze	+1,346

Step 4A. Top Finish

T1 __	Veneer Tier 1	+0
T2 __	Veneer Tier 2	+1,188
GC __	Clear Glass, back painted	+6,376
GE __	Etched matte Glass, back painted	+7,453
CS01	Corian Glacier White	+7,491
QS __	Caesarstone	Contact Rep.

Step 4B. Lower Layer Finish (Layer top only)

SL __	Satin Lacquer	+589
T __ __	Veneer Tier 1, 2, 3	+829
HG __	High Gloss Polyester	+912

Step 5. Base Finish

T1 __	Veneer Tier 1	+882
T2 __	Veneer Tier 2	+1,848
SL __	Satin Lacquer	+0
HG __	High Gloss Polyester	+4,036

Step 6. Power & Connectivity Access: Optional

DRHW	Drawer, Hardwired (layered edge only), Qty 6	+12,024
DRPI	Drawer, Plug In (layered edge only), Qty 6	+10,296
DRLK	Drawer, Linkable (layered edge only), Qty 6	+10,296
TMHW	Tabletop Metal lid, Hardwired, Qty 2	+8,796
TMPI	Tabletop Metal lid, Plug In, Qty 2	+7,496
TMLK	Tabletop Metal lid, Linkable, Qty 2	+6,394
TWHW	Tabletop Wood lid, Hardwired (veneer tops only), Qty 2	+8,062
TWPI	Tabletop Wood lid, Plug In (veneer tops only), Qty 2	+6,758
TWLK	Tabletop Wood lid, Linkable (veneer tops only), Qty 2	+5,662
UMHW	Undermount, Hardwired, Qty 6	+7,182
UMPI	Undermount, Plug In, Qty 6	+5,220
UMLK	Undermount, Linkable, Qty 6	+5,220
SOHW	Slide Out Power Box, Hardwired, Qty 6	+12,510
SOPI	Slide Out Power Box, Plug In, Qty 6	+10,614
SOLK	Slide Out Power Box, Linkable, Qty 6	+10,614

Step 7. Microphone and/or Grommet Accommodations: Optional

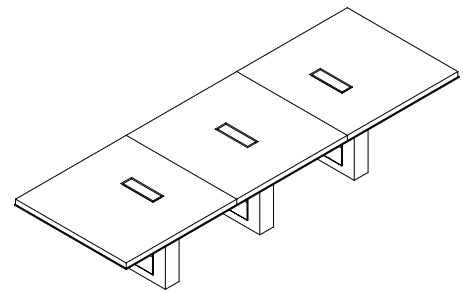
MA __	Microphone hole (factory cut)	Qty __ x 377 each
GM __	2" Grommet hole (factory cut), liner, lid, in matching metal finish	Qty __ x 496 each

Please consult [page 7](#) for the palette of DatesWeiser finishes. Natural stone, non-standard glass and veneer, and other technology options are available. Please email customerservice@datesweiser.com for a custom quote. Consult technical information on [page 298](#) for construction details and technical information.

Highline Fifty Rectangular Conference Table

48"x144"/ 10 Person

03R48X144



Starting Price: **\$26,002**

48x144 table, slab veneer Tier 1 top, open painted base with no metal trim, powder coat finish

Base Pattern Number: 03R48X144

Step 1. Top Material

S	Slab (veneer only)
V	Veneer layered
G	Glass layered
C	Corian layered
Q	Caesarstone layered

Step 2. Base Options

ON	Open Base, no metal trim	+ 0
MC __	Open Base, MC metal trim	+5,250
PM01	Open Base, PM01 metal trim	+7,065
PM02	Open Base, PM02 metal trim	+7,065
PM03	Open Base, PM03 metal trim	+8,830

Step 3. Edge Selection/Finish

N __	No Edge	+0
AU __	Spinneybeck Leather: Acqua	+\$3,232
MC __	Powder Coat	+0
PM01	Polished Chrome	+1,345
PM02	Satin Nickel	+1,345
PM03	Oil Rubbed Bronze	+1,345

Step 4A. Top Finish

T1 __	Veneer Tier 1	+0
T2 __	Veneer Tier 2	+1,296
GC __	Clear Glass, back painted	+6,914
GE __	Etched matte Glass, back painted	+8,089
CS01	Corian Glacier White	+8,172
QS __	Caesarstone	Contact Rep.

Step 4B. Lower Layer Finish (Layer top only)

SL __	Satin Lacquer	+603
T __ __	Veneer Tier 1, 2, 3	+881
HG __	High Gloss Polyester	+967

Step 5. Base Finish

T1 __	Veneer Tier 1	+1,323
T2 __	Veneer Tier 2	+2,772
SL __	Satin Lacquer	+0
HG __	High Gloss Polyester	+6,054

Step 6. Power & Connectivity Access: Optional

DRHW	Drawer, Hardwired (layered edge only), Qty 6	+12,024
DRPI	Drawer, Plug In (layered edge only), Qty 6	+10,296
DRLK	Drawer, Linkable (layered edge only), Qty 6	+10,296
TMHW	Tabletop Metal lid, Hardwired, Qty 3	+13,194
TMPI	Tabletop Metal lid, Plug In, Qty 3	+11,244
TMLK	Tabletop Metal lid, Linkable, Qty 3	+9,591
TWHW	Tabletop Wood lid, Hardwired (veneer tops only), Qty 3	+12,093
TWPI	Tabletop Wood lid, Plug In (veneer tops only), Qty 3	+10,137
TWLK	Tabletop Wood lid, Linkable (veneer tops only), Qty 3	+8,493
UMHW	Undermount, Hardwired, Qty 6	+7,182
UMPI	Undermount, Plug In, Qty 6	+5,220
UMLK	Undermount, Linkable, Qty 6	+5,220
SOHW	Slide Out Power Box, Hardwired, Qty 6	+12,510
SOPI	Slide Out Power Box, Plug In, Qty 6	+10,614
SOLK	Slide Out Power Box, Linkable, Qty 6	+10,614

Step 7. Microphone and/or Grommet Accommodations: Optional

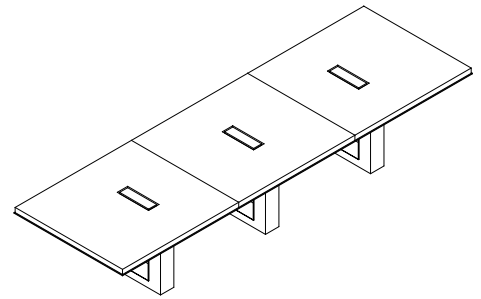
MA __	Microphone hole (factory cut)	Qty __ x 377 each
GM __	2" Grommet hole (factory cut), liner, lid, in matching metal finish	Qty __ x 496 each

Please consult [page 7](#) for the palette of DatesWeiser finishes. Natural stone, non-standard glass and veneer, and other technology options are available. Please email customerservice@datesweiser.com for a custom quote. Consult technical information on [page 298](#) for construction details and technical information.

Highline Fifty Rectangular Conference Table

48"x156"/ 10 Person

03R48X156



Starting Price: **\$26,810**

48x156 table, slab veneer Tier 1 top, open painted base with no metal trim, powder coat finish

Base Pattern Number: 03R48X156

Step 1. Top Material

S	Slab (veneer only)	
V	Veneer layered	
G	Glass layered	
C	Corian layered	
Q	Caesarstone layered	

Step 2. Base Options

ON	Open Base, no metal trim	+ 0
MC __	Open Base, MC metal trim	+5,250
PM01	Open Base, PM01 metal trim	+7,065
PM02	Open Base, PM02 metal trim	+7,065
PM03	Open Base, PM03 metal trim	+8,830

Step 3. Edge Selection/Finish

N __	No Edge	+0
AU __	Spinneybeck Leather: Acqua	+\$3,434
MC __	Powder Coat	+0
PM01	Polished Chrome	+1,345
PM02	Satin Nickel	+1,345
PM03	Oil Rubbed Bronze	+1,345

Step 4A. Top Finish

T1 __	Veneer Tier 1	+0
T2 __	Veneer Tier 2	+1,404
GC __	Clear Glass, back painted	+7,432
GE __	Etched matte Glass, back painted	+8,706
CS01	Corian Glacier White	+8,854
QS __	Caesarstone	Contact Rep.

Step 4B. Lower Layer Finish (Layer top only)

SL __	Satin Lacquer	+621
T __ __	Veneer Tier 1, 2, 3	+887
HG __	High Gloss Polyester	+977

Step 5. Base Finish

T1 __	Veneer Tier 1	+1,323
T2 __	Veneer Tier 2	+2,772
SL __	Satin Lacquer	+0
HG __	High Gloss Polyester	+6,054

Step 6. Power & Connectivity Access: Optional

DRHW	Drawer, Hardwired (layered edge only), Qty 6	+12,024
DRPI	Drawer, Plug In (layered edge only), Qty 6	+10,296
DRLK	Drawer, Linkable (layered edge only), Qty 6	+10,296
TMHW	Tabletop Metal lid, Hardwired, Qty 3	+13,194
TMPI	Tabletop Metal lid, Plug In, Qty 3	+11,244
TMLK	Tabletop Metal lid, Linkable, Qty 3	+9,591
TWHW	Tabletop Wood lid, Hardwired (veneer tops only), Qty 3	+12,093
TWPI	Tabletop Wood lid, Plug In (veneer tops only), Qty 3	+10,137
TWLK	Tabletop Wood lid, Linkable (veneer tops only), Qty 3	+8,493
UMHW	Undermount, Hardwired, Qty 6	+7,182
UMPI	Undermount, Plug In, Qty 6	+5,220
UMLK	Undermount, Linkable, Qty 6	+5,220
SOHW	Slide Out Power Box, Hardwired, Qty 6	+12,510
SOPI	Slide Out Power Box, Plug In, Qty 6	+10,614
SOLK	Slide Out Power Box, Linkable, Qty 6	+10,614

Step 7. Microphone and/or Grommet Accommodations: Optional

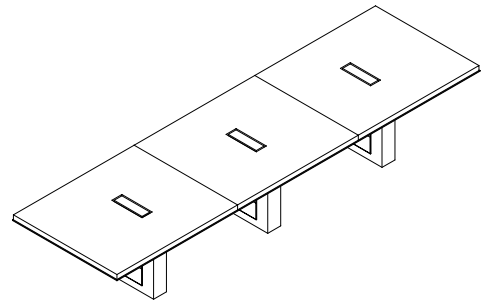
MA __	Microphone hole (factory cut)	Qty __ x 377 each
GM __	2" Grommet hole (factory cut), liner, lid, in matching metal finish	Qty __ x 496 each

Please consult [page 7](#) for the palette of DatesWeiser finishes. Natural stone, non-standard glass and veneer, and other technology options are available. Please email customerservice@datesweiser.com for a custom quote. Consult technical information on [page 298](#) for construction details and technical information.

Highline Fifty Rectangular Conference Table

48"x168"/ 12 Person

03R48X168



Starting Price: **\$28,249**

48x168 table, slab veneer Tier 1 top, open painted base with no metal trim, powder coat finish

Base Pattern Number: 03R48X168

Step 1. Top Material

S	Slab (veneer only)	
V	Veneer layered	
G	Glass layered	
C	Corian layered	
Q	Caesarstone layered	

Step 2. Base Options

ON	Open Base, no metal trim	+ 0
MC __	Open Base, MC metal trim	+5,250
PM01	Open Base, PM01 metal trim	+7,065
PM02	Open Base, PM02 metal trim	+7,065
PM03	Open Base, PM03 metal trim	+8,830

Step 3. Edge Selection/Finish

N __	No Edge	+0
AU __	Spinneybeck Leather: Acqua	+\$3,636
MC __	Powder Coat	+0
PM01	Polished Chrome	+2,214
PM02	Satin Nickel	+ 2,214
PM03	Oil Rubbed Bronze	+ 2,214

Step 4A. Top Finish

T1 __	Veneer Tier 1	+0
T2 __	Veneer Tier 2	+1,512
GC __	Clear Glass, back painted	+7,978
GE __	Etched matte Glass, back painted	+9,349
CS01	Corian Glacier White	+9,534
QS __	Caesarstone	Contact Rep.

Step 4B. Lower Layer Finish (Layer top only)

SL __	Satin Lacquer	+679
T __ __	Veneer Tier 1, 2, 3	+978
HG __	High Gloss Polyester	+1,076

Step 5. Base Finish

T1 __	Veneer Tier 1	+1,323
T2 __	Veneer Tier 2	+2,772
SL __	Satin Lacquer	+0
HG __	High Gloss Polyester	+6,054

Step 6. Power & Connectivity Access: Optional

DRHW	Drawer, Hardwired (layered edge only), Qty 6	+12,024
DRPI	Drawer, Plug In (layered edge only), Qty 6	+10,296
DRLK	Drawer, Linkable (layered edge only), Qty 6	+10,296
TMHW	Tabletop Metal lid, Hardwired, Qty 3	+13,194
TMPI	Tabletop Metal lid, Plug In, Qty 3	+11,244
TMLK	Tabletop Metal lid, Linkable, Qty 3	+9,591
TWHW	Tabletop Wood lid, Hardwired (veneer tops only), Qty 3	+12,093
TWPI	Tabletop Wood lid, Plug In (veneer tops only), Qty 3	+10,137
TWLK	Tabletop Wood lid, Linkable (veneer tops only), Qty 3	+8,493
UMHW	Undermount, Hardwired, Qty 6	+7,182
UMPI	Undermount, Plug In, Qty 6	+5,220
UMLK	Undermount, Linkable, Qty 6	+5,220
SOHW	Slide Out Power Box, Hardwired, Qty 6	+12,510
SOPI	Slide Out Power Box, Plug In, Qty 6	+10,614
SOLK	Slide Out Power Box, Linkable, Qty 6	+10,614

Step 7. Microphone and/or Grommet Accommodations: Optional

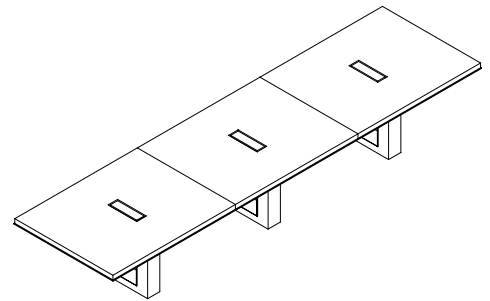
MA __	Microphone hole (factory cut)	Qty __ x 377 each
GM __	2" Grommet hole (factory cut), liner, lid, in matching metal finish	Qty __ x 496 each

Please consult [page 7](#) for the palette of DatesWeiser finishes. Natural stone, non-standard glass and veneer, and other technology options are available. Please email customerservice@datesweiser.com for a custom quote. Consult technical information on [page 298](#) for construction details and technical information.

Highline Fifty Rectangular Conference Table

48"x180"/ 14 Person

03R48X180



Starting Price: **\$29,135**

48x180 table, slab veneer Tier 1 top, open painted base with no metal trim, powder coat finish

Base Pattern Number: 03R48X180

Step 1. Top Material

S	Slab (veneer only)
V	Veneer layered
G	Glass layered
C	Corian layered
Q	Caesarstone layered

Step 2. Base Options

ON	Open Base, no metal trim	+ 0
MC __	Open Base, MC metal trim	+5,250
PM01	Open Base, PM01 metal trim	+7,065
PM02	Open Base, PM02 metal trim	+7,065
PM03	Open Base, PM03 metal trim	+8,830

Step 3. Edge Selection/Finish

N __	No Edge	+0
AU __	Spinneybeck Leather: Acqua	+\$3,837
MC __	Powder Coat	+0
PM01	Polished Chrome	+2,214
PM02	Satin Nickel	+ 2,214
PM03	Oil Rubbed Bronze	+ 2,214

Step 4A. Top Finish

T1 __	Veneer Tier 1	+0
T2 __	Veneer Tier 2	+1,303
GC __	Clear Glass, back painted	+8,501
GE __	Etched matte Glass, back painted	+9,969
CS01	Corian Glacier White	+10,215
QS __	Caesarstone	Contact Rep.

Step 4B. Lower Layer Finish (Layer top only)

SL __	Satin Lacquer	+719
T __ __	Veneer Tier 1, 2, 3	+1,080
HG __	High Gloss Polyester	+1,189

Step 5. Base Finish

T1 __	Veneer Tier 1	+1,323
T2 __	Veneer Tier 2	+2,772
SL __	Satin Lacquer	+0
HG __	High Gloss Polyester	+6,054

Step 6. Power & Connectivity Access: Optional

DRHW	Drawer, Hardwired (layered edge only), Qty 8	+16,032
DRPI	Drawer, Plug In (layered edge only), Qty 8	+13,728
DRLK	Drawer, Linkable (layered edge only), Qty 8	+13,728
TMHW	Tabletop Metal lid, Hardwired, Qty 3	+13,194
TMPI	Tabletop Metal lid, Plug In, Qty 3	+11,244
TMLK	Tabletop Metal lid, Linkable, Qty 3	+9,591
TWHW	Tabletop Wood lid, Hardwired (veneer tops only), Qty 3	+12,093
TWPI	Tabletop Wood lid, Plug In (veneer tops only), Qty 3	+10,137
TWLK	Tabletop Wood lid, Linkable (veneer tops only), Qty 3	+8,493
UMHW	Undermount, Hardwired, Qty 8	+9,576
UMPI	Undermount, Plug In, Qty 8	+6,960
UMLK	Undermount, Linkable, Qty 8	+6,960
SOHW	Slide Out Power Box, Hardwired, Qty 8	+16,680
SOPI	Slide Out Power Box, Plug In, Qty 8	+14,152
SOLK	Slide Out Power Box, Linkable, Qty 8	+14,152

Step 7. Microphone and/or Grommet Accommodations: Optional

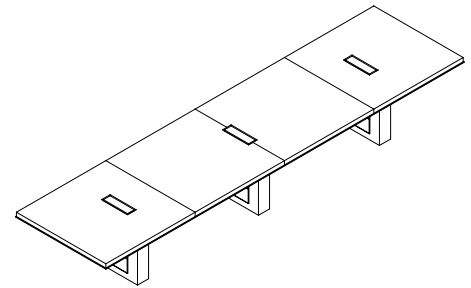
MA __	Microphone hole (factory cut)	Qty __ x 377 each
GM __	2" Grommet hole (factory cut), liner, lid, in matching metal finish	Qty __ x 496 each

Please consult [page 7](#) for the palette of DatesWeiser finishes. Natural stone, non-standard glass and veneer, and other technology options are available. Please email customerservice@datesweiser.com for a custom quote. Consult technical information on [page 298](#) for construction details and technical information.8

Highline Fifty Rectangular Conference Table

48"x192"/ 14 Person

03R48X192



Starting Price: **\$33,676**

48x192 table, slab veneer Tier 1 top, open painted base with no metal trim, powder coat finish

Base Pattern Number: 03R48X192

Step 1. Top Material

S	Slab (veneer only)
V	Veneer layered
G	Glass layered
C	Corian layered
Q	Caesarstone layered

Step 2. Base Options

ON	Open Base, no metal trim	+ 0
MC __	Open Base, MC metal trim	+5,250
PM01	Open Base, PM01 metal trim	+7,065
PM02	Open Base, PM02 metal trim	+7,065
PM03	Open Base, PM03 metal trim	+8,830

Step 3. Edge Selection/Finish

N __	No Edge	+0
AU __	Spinneybeck Leather: Acqua	+\$4,040
MC __	Powder Coat	+0
PM01	Polished Chrome	+2,214
PM02	Satin Nickel	+ 2,214
PM03	Oil Rubbed Bronze	+ 2,214

Step 4A. Top Finish

T1 __	Veneer Tier 1	+0
T2 __	Veneer Tier 2	+1,729
GC __	Clear Glass, back painted	+9,177
GE __	Etched matte Glass, back painted	+10,744
CS01	Corian Glacier White	+10,896
QS __	Caesarstone	Contact Rep.

Step 4B. Lower Layer Finish (Layer top only)

SL __	Satin Lacquer	+782
T ___	Veneer Tier 1, 2, 3	+1,105
HG __	High Gloss Polyester	+1,217

Step 5. Base Finish

T1 __	Veneer Tier 1	+1,323
T2 __	Veneer Tier 2	+2,772
SL __	Satin Lacquer	+0
HG __	High Gloss Polyester	+6,054

Step 6. Power & Connectivity Access: Optional

DRHW	Drawer, Hardwired (layered edge only), Qty 8	+16,032
DRPI	Drawer, Plug In (layered edge only), Qty 8	+13,728
DRLK	Drawer, Linkable (layered edge only), Qty 8	+13,728
TMHW	Tabletop Metal lid, Hardwired, Qty 3	+13,194
TMPI	Tabletop Metal lid, Plug In, Qty 3	+11,244
TMLK	Tabletop Metal lid, Linkable, Qty 3	+9,591
TWHW	Tabletop Wood lid, Hardwired (veneer tops only), Qty 3	+12,093
TWPI	Tabletop Wood lid, Plug In (veneer tops only), Qty 3	+10,137
TWLK	Tabletop Wood lid, Linkable (veneer tops only), Qty 3	+8,493
UMHW	Undermount, Hardwired, Qty 8	+9,576
UMPI	Undermount, Plug In, Qty 8	+6,960
UMLK	Undermount, Linkable, Qty 8	+6,960
SOHW	Slide Out Power Box, Hardwired, Qty 8	+16,680
SOPI	Slide Out Power Box, Plug In, Qty 8	+14,152
SOLK	Slide Out Power Box, Linkable, Qty 8	+14,152

Step 7. Microphone and/or Grommet Accommodations: Optional

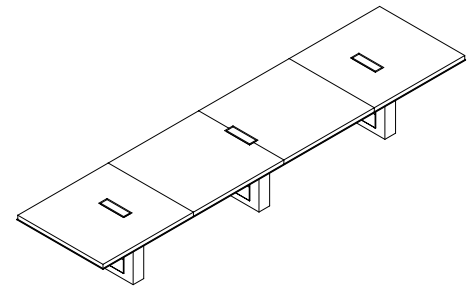
MA __	Microphone hole (factory cut)	Qty __ x 377 each
GM __	2" Grommet hole (factory cut), liner, lid, in matching metal finish	Qty __ x 496 each

Please consult [page 7](#) for the palette of DatesWeiser finishes. Natural stone, non-standard glass and veneer, and other technology options are available. Please email customerservice@datesweiser.com for a custom quote. Consult technical information on [page 298](#) for construction details and technical information.

Highline Fifty Rectangular Conference Table

48"x204"/ 14 Person

03R48X204



Starting Price: **\$34,595**

48x204 table, slab veneer Tier 1 top, open painted base with no metal trim, powder coat finish

Base Pattern Number: 03R48X204

Step 1. Top Material

S	Slab (veneer only)	
V	Veneer layered	
G	Glass layered	
C	Corian layered	
Q	Caesarstone layered	

Step 2. Base Options

ON	Open Base, no metal trim	+ 0
MC __	Open Base, MC metal trim	+5,250
PM01	Open Base, PM01 metal trim	+7,065
PM02	Open Base, PM02 metal trim	+7,065
PM03	Open Base, PM03 metal trim	+8,830

Step 3. Edge Selection/Finish

N __	No Edge	+0
AU __	Spinneybeck Leather: Acqua	+\$4,242
MC __	Powder Coat	+0
PM01	Polished Chrome	+2,214
PM02	Satin Nickel	+2,214
PM03	Oil Rubbed Bronze	+2,214

Step 4A. Top Finish

T1 __	Veneer Tier 1	+0
T2 __	Veneer Tier 2	+1,837
GC __	Clear Glass, back painted	+9,701
GE __	Etched matte Glass, back painted	+11,366
CS01	Corian Glacier White	+11,578
QS __	Caesarstone	Contact Rep.

Step 4B. Lower Layer Finish (Layer top only)

SL __	Satin Lacquer	+821
T __	Veneer Tier 1, 2, 3	+1,165
HG __	High Gloss Polyester	+1,281

Step 5. Base Finish

T1 __	Veneer Tier 1	+1,323
T2 __	Veneer Tier 2	+2,772
SL __	Satin Lacquer	+0
HG __	High Gloss Polyester	+6,054

Step 6. Power & Connectivity Access: Optional

DRHW	Drawer, Hardwired (layered edge only), Qty 8	+16,032
DRPI	Drawer, Plug In (layered edge only), Qty 8	+13,728
DRLK	Drawer, Linkable (layered edge only), Qty 8	+13,728
TMHW	Tabletop Metal lid, Hardwired, Qty 3	+13,194
TMPI	Tabletop Metal lid, Plug In, Qty 3	+11,244
TMLK	Tabletop Metal lid, Linkable, Qty 3	+9,591
TWHW	Tabletop Wood lid, Hardwired (veneer tops only), Qty 3	+12,093
TWPI	Tabletop Wood lid, Plug In (veneer tops only), Qty 3	+10,137
TWLK	Tabletop Wood lid, Linkable (veneer tops only), Qty 3	+8,493
UMHW	Undermount, Hardwired, Qty 8	+9,576
UMPI	Undermount, Plug In, Qty 8	+6,960
UMLK	Undermount, Linkable, Qty 8	+6,960
SOHW	Slide Out Power Box, Hardwired, Qty 8	+16,680
SOPI	Slide Out Power Box, Plug In, Qty 8	+14,152
SOLK	Slide Out Power Box, Linkable, Qty 8	+14,152

Step 7. Microphone and/or Grommet Accommodations: Optional

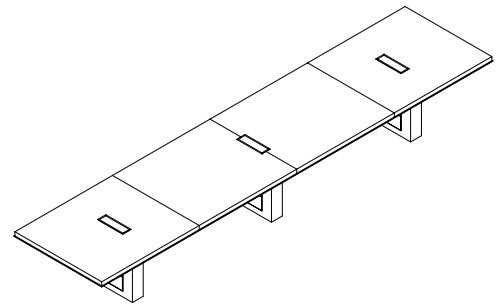
MA __	Microphone hole (factory cut)	Qty __ x 377 each
GM __	2" Grommet hole (factory cut), liner, lid, in matching metal finish	Qty __ x 496 each

Please consult [page 7](#) for the palette of DatesWeiser finishes. Natural stone, non-standard glass and veneer, and other technology options are available. Please email customerservice@datesweiser.com for a custom quote. Consult technical information on [page 298](#) for construction details and technical information.

Highline Fifty Rectangular Conference Table

48"x216"/ 16 Person

03R48X216



Starting Price: **\$35,506**

48x216 table, slab veneer Tier 1 top, open painted base with no metal trim, powder coat finish

Base Pattern Number: 03R48X216

Step 1. Top Material

S	Slab (veneer only)
V	Veneer layered
G	Glass layered
C	Corian layered
Q	Caesarstone layered

Step 2. Base Options

ON	Open Base, no metal trim	+ 0
MC __	Open Base, MC metal trim	+5,250
PM01	Open Base, PM01 metal trim	+7,065
PM02	Open Base, PM02 metal trim	+7,065
PM03	Open Base, PM03 metal trim	+8,830

Step 3. Edge Selection/Finish

N __	No Edge	+0
AU __	Spinneybeck Leather: Acqua	+\$4,443
MC __	Powder Coat	+0
PM01	Polished Chrome	+2,214
PM02	Satin Nickel	+ 2,214
PM03	Oil Rubbed Bronze	+ 2,214

Step 4A. Top Finish

T1 __	Veneer Tier 1	+0
T2 __	Veneer Tier 2	+1,945
GC __	Clear Glass, back painted	+10,223
GE __	Etched matte Glass, back painted	+11,984
CS01	Corian Glacier White	+12,258
QS __	Caesarstone	Contact Rep.

Step 4B. Lower Layer Finish (Layer top only)

SL __	Satin Lacquer	+862
T __ __	Veneer Tier 1, 2, 3	+1,230
HG __	High Gloss Polyester	+1,354

Step 5. Base Finish

T1 __	Veneer Tier 1	+1,323
T2 __	Veneer Tier 2	+2,772
SL __	Satin Lacquer	+0
HG __	High Gloss Polyester	+6,054

Step 6. Power & Connectivity Access: Optional

DRHW	Drawer, Hardwired (layered edge only), Qty 8	+16,032
DRPI	Drawer, Plug In (layered edge only), Qty 8	+13,728
DRLK	Drawer, Linkable (layered edge only), Qty 8	+13,728
TMHW	Tabletop Metal lid, Hardwired, Qty 3	+13,194
TMPI	Tabletop Metal lid, Plug In, Qty 3	+11,244
TMLK	Tabletop Metal lid, Linkable, Qty 3	+9,591
TWHW	Tabletop Wood lid, Hardwired (veneer tops only), Qty 3	+12,093
TWPI	Tabletop Wood lid, Plug In (veneer tops only), Qty 3	+10,137
TWLK	Tabletop Wood lid, Linkable (veneer tops only), Qty 3	+8,493
UMHW	Undermount, Hardwired, Qty 8	+9,576
UMPI	Undermount, Plug In, Qty 8	+6,960
UMLK	Undermount, Linkable, Qty 8	+6,960
SOHW	Slide Out Power Box, Hardwired, Qty 8	+16,680
SOPI	Slide Out Power Box, Plug In, Qty 8	+14,152
SOLK	Slide Out Power Box, Linkable, Qty 8	+14,152

Step 7. Microphone and/or Grommet Accommodations: Optional

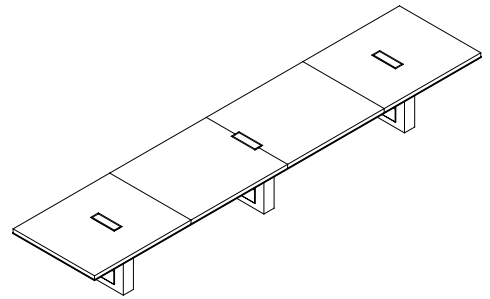
MA __	Microphone hole (factory cut)	Qty __ x 377 each
GM __	2" Grommet hole (factory cut), liner, lid, in matching metal finish	Qty __ x 496 each

Please consult [page 7](#) for the palette of DatesWeiser finishes. Natural stone, non-standard glass and veneer, and other technology options are available. Please email customerservice@datesweiser.com for a custom quote. Consult technical information on [page 298](#) for construction details and technical information.

Highline Fifty Rectangular Conference Table

48"x228"/ 16 Person

03R48X228



Starting Price: **\$36,449**

48x228 table, slab veneer Tier 1 top, open painted base with no metal trim, powder coat finish

Base Pattern Number: 03R48X228

Step 1. Top Material

S	Slab (veneer only)
V	Veneer layered
G	Glass layered
C	Corian layered
Q	Caesarstone layered

Step 2. Base Options

ON	Open Base, no metal trim	+ 0
MC __	Open Base, MC metal trim	+5,250
PM01	Open Base, PM01 metal trim	+7,065
PM02	Open Base, PM02 metal trim	+7,065
PM03	Open Base, PM03 metal trim	+8,830

Step 3. Edge Selection/Finish

N __	No Edge	+0
AU __	Spinneybeck Leather: Acqua	+\$4,646
MC __	Powder Coat	+0
PM01	Polished Chrome	+2,214
PM02	Satin Nickel	+ 2,214
PM03	Oil Rubbed Bronze	+ 2,214

Step 4A. Top Finish

T1 __	Veneer Tier 1	+0
T2 __	Veneer Tier 2	+2,053
GC __	Clear Glass, back painted	+10,747
GE __	Etched matte Glass, back painted	+12,607
CS01	Corian Glacier White	+12,938
QS __	Caesarstone	Contact Rep.

Step 4B. Lower Layer Finish (Layer top only)

SL __	Satin Lacquer	+873
T __ __	Veneer Tier 1, 2, 3	+1,294
HG __	High Gloss Polyester	+1,424

Step 5. Base Finish

T1 __	Veneer Tier 1	+1,323
T2 __	Veneer Tier 2	+2,772
SL __	Satin Lacquer	+0
HG __	High Gloss Polyester	+6,054

Step 6. Power & Connectivity Access: Optional

DRHW	Drawer, Hardwired (layered edge only), Qty 8	+16,032
DRPI	Drawer, Plug In (layered edge only), Qty 8	+13,728
DRLK	Drawer, Linkable (layered edge only), Qty 8	+13,728
TMHW	Tabletop Metal lid, Hardwired, Qty 3	+13,194
TMPI	Tabletop Metal lid, Plug In, Qty 3	+11,244
TMLK	Tabletop Metal lid, Linkable, Qty 3	+9,591
TWHW	Tabletop Wood lid, Hardwired (veneer tops only), Qty 3	+12,093
TWPI	Tabletop Wood lid, Plug In (veneer tops only), Qty 3	+10,137
TWLK	Tabletop Wood lid, Linkable (veneer tops only), Qty 3	+8,493
UMHW	Undermount, Hardwired, Qty 8	+9,576
UMPI	Undermount, Plug In, Qty 8	+6,960
UMLK	Undermount, Linkable, Qty 8	+6,960
SOHW	Slide Out Power Box, Hardwired, Qty 8	+16,680
SOPI	Slide Out Power Box, Plug In, Qty 8	+14,152
SOLK	Slide Out Power Box, Linkable, Qty 8	+14,152

Step 7. Microphone and/or Grommet Accommodations: Optional

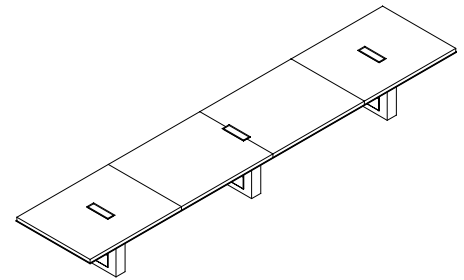
MA __	Microphone hole (factory cut)	Qty __ x 377 each
GM __	2" Grommet hole (factory cut), liner, lid, in matching metal finish	Qty __ x 496 each

Please consult [page 7](#) for the palette of DatesWeiser finishes. Natural stone, non-standard glass and veneer, and other technology options are available. Please email customerservice@datesweiser.com for a custom quote. Consult technical information on [page 298](#) for construction details and technical information.

Highline Fifty Rectangular Conference Table

48"x240" / 18 Person

03R48X240



Starting Price: **\$37,344**

48x240 table, slab veneer Tier 1 top, open painted base with no metal trim, powder coat finish

Base Pattern Number: 03R48X240

Step 1. Top Material

S	Slab (veneer only)	
V	Veneer layered	
G	Glass layered	
C	Corian layered	
Q	Caesarstone layered	

Step 2. Base Options

ON	Open Base, no metal trim	+ 0
MC __	Open Base, MC metal trim	+5,250
PM01	Open Base, PM01 metal trim	+7,065
PM02	Open Base, PM02 metal trim	+7,065
PM03	Open Base, PM03 metal trim	+8,830

Step 3. Edge Selection/Finish

N __	No Edge	+0
AU __	Spinneybeck Leather: Acqua	+\$4,847
MC __	Powder Coat	+0
PM01	Polished Chrome	+2,214
PM02	Satin Nickel	+2,214
PM03	Oil Rubbed Bronze	+2,214

Step 4A. Top Finish

T1 __	Veneer Tier 1	+0
T2 __	Veneer Tier 2	+2,160
GC __	Clear Glass, back painted	+11,271
GE __	Etched matte Glass, back painted	+13,229
CS01	Corian Glacier White	+13,621
QS __	Caesarstone	Contact Rep.

Step 4B. Lower Layer Finish (Layer top only)

SL __	Satin Lacquer	+919
T __	Veneer Tier 1, 2, 3	+1,391
HG __	High Gloss Polyester	+1,530

Step 5. Base Finish

T1 __	Veneer Tier 1	+1,323
T2 __	Veneer Tier 2	+2,772
SL __	Satin Lacquer	+0
HG __	High Gloss Polyester	+6,054

Step 6. Power & Connectivity Access: Optional

DRHW	Drawer, Hardwired (layered edge only), Qty 10	+20,040
DRPI	Drawer, Plug In (layered edge only), Qty 10	+17,160
DRLK	Drawer, Linkable (layered edge only), Qty 10	+17,160
TMHW	Tabletop Metal lid, Hardwired, Qty 3	+13,194
TMPI	Tabletop Metal lid, Plug In, Qty 3	+11,244
TMLK	Tabletop Metal lid, Linkable, Qty 3	+9,591
TWHW	Tabletop Wood lid, Hardwired (veneer tops only), Qty 3	+12,093
TWPI	Tabletop Wood lid, Plug In (veneer tops only), Qty 3	+10,137
TWLK	Tabletop Wood lid, Linkable (veneer tops only), Qty 3	+8,493
UMHW	Undermount, Hardwired, Qty 10	+11,970
UMPI	Undermount, Plug In, Qty 10	+8,700
UMLK	Undermount, Linkable, Qty 10	+8,700
SOHW	Slide Out Power Box, Hardwired, Qty 10	+20,850
SOPI	Slide Out Power Box, Plug In, Qty 10	+17,690
SOLK	Slide Out Power Box, Linkable, Qty 10	+17,690

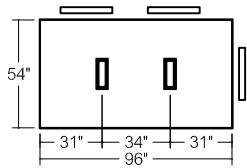
Step 7. Microphone and/or Grommet Accommodations: Optional

MA __	Microphone hole (factory cut)	Qty __ x 377 each
GM __	2" Grommet hole (factory cut), liner, lid, in matching metal finish	Qty __ x 496 each

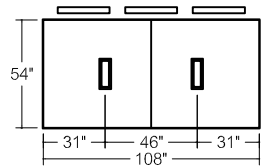
Please consult [page 7](#) for the palette of DatesWeiser finishes. Natural stone, non-standard glass and veneer, and other technology options are available. Please email customerservice@datesweiser.com for a custom quote. Consult technical information on [page 298](#) for construction details and technical information.

Highline Fifty Conference Tables Index

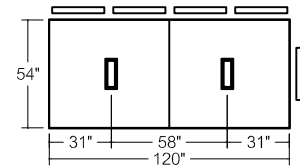
54" width



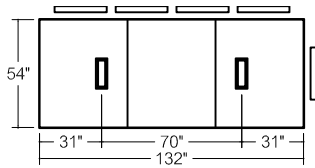
03R54X96
6 Person Table



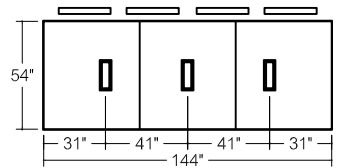
03R54X108
8 Person Table



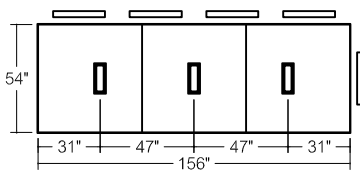
03R54X120
10 Person Table



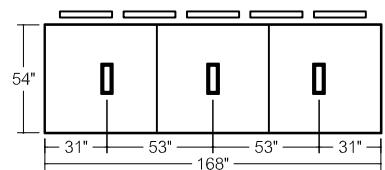
03R54X132
10 Person Table



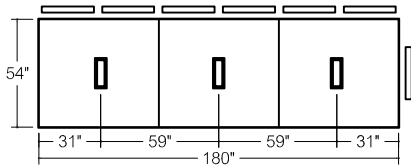
03R54X144
10 Person Table



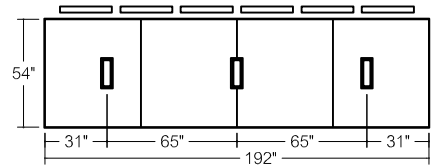
03R54X156
10 Person Table



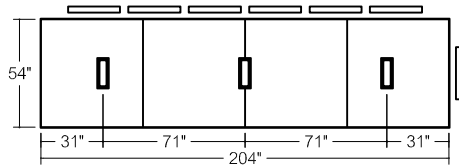
03R54X168
12 Person Table



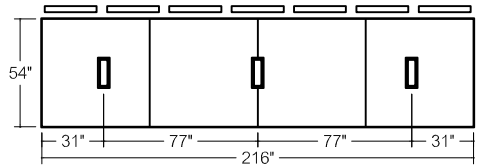
03R54X180
14 Person Table



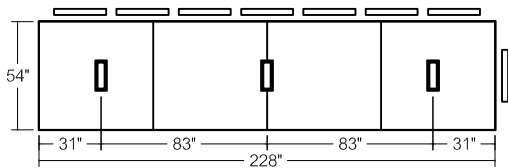
03R54X192
14 Person Table



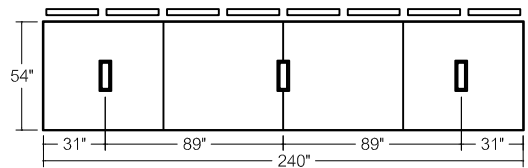
03R54X204
14 Person Table



03R54X216
16 Person Table



03R54X228
16 Person Table

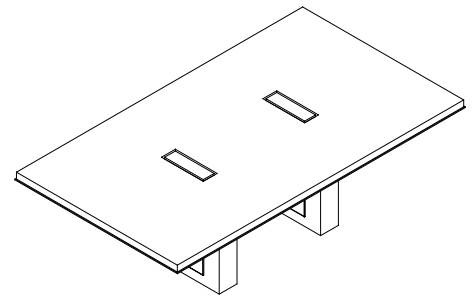


03R54X240
18 Person Table

Highline Fifty Rectangular Conference Table

54"x96"/ 6 Person

03R54X96



Starting Price: **\$19,467**

54x96 table, slab veneer Tier 1 top, open painted base with no metal trim, powder coat finish

Pattern Number: 03R54X96

Step 1. Top Material

S	Slab (veneer only)	
V	Veneer layered	
G	Glass layered	
C	Corian layered	
Q	Caesarstone layered	

Step 2. Base Options

ON	Open Base, no metal trim	+ 0
MC __	Open Base, MC metal trim	+3,501
PM01	Open Base, PM01 metal trim	+4,710
PM02	Open Base, PM02 metal trim	+4,710
PM03	Open Base, PM03 metal trim	+5,886

Step 3. Edge Selection/Finish

N __	No Edge	+0
AU __	Spinneybeck Leather: Acqua	+\$2,525
MC __	Powder Coat	+0
PM01	Polished Chrome	+1,320
PM02	Satin Nickel	+1,320
PM03	Oil Rubbed Bronze	+1,320

Step 4A. Top Finish

T1 __	Veneer Tier 1	+0
T2 __	Veneer Tier 2	+972
GC __	Clear Glass, back painted	+5,185
GE __	Etched matte Glass, back painted	+6,065
CS01	Corian Glacier White	+6,130
QS __	Caesarstone	Contact Rep.

Step 4B. Lower Layer Finish (Layer top only)

SL __	Satin Lacquer	+459
T ___	Veneer Tier 1, 2, 3	+690
HG __	High Gloss Polyester	+760

Step 5. Base Finish

T1 __	Veneer Tier 1	+882
T2 __	Veneer Tier 2	+1,848
SL __	Satin Lacquer	+0
HG __	High Gloss Polyester	+4,036

Step 6. Power & Connectivity Access: Optional

DRHW	Drawer, Hardwired (layered edge only), Qty 4	+8,016
DRPI	Drawer, Plug In (layered edge only), Qty 4	+6,864
DRLK	Drawer, Linkable (layered edge only), Qty 4	+6,864
TMHW	Tabletop Metal lid, Hardwired, Qty 2	+8,796
TMPI	Tabletop Metal lid, Plug In, Qty 2	+7,496
TMLK	Tabletop Metal lid, Linkable, Qty 2	+6,394
TWHW	Tabletop Wood lid, Hardwired (veneer tops only), Qty 2	+8,062
TWPI	Tabletop Wood lid, Plug In (veneer tops only), Qty 2	+6,758
TWLK	Tabletop Wood lid, Linkable (veneer tops only), Qty 2	+5,662
UMHW	Undermount, Hardwired, Qty 4	+4,788
UMPI	Undermount, Plug In, Qty 4	+3,480
UMLK	Undermount, Linkable, Qty 4	+3,480
SOHW	Slide Out Power Box, Hardwired, Qty 4	+8,340
SOPI	Slide Out Power Box, Plug In, Qty 4	+7,076
SOLK	Slide Out Power Box, Linkable, Qty 4	+7,076

Step 7. Microphone and/or Grommet Accommodations: Optional

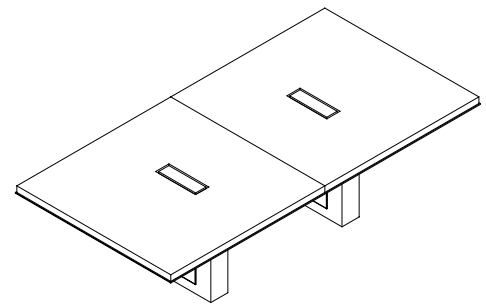
MA __	Microphone hole (factory cut)	Qty __ x 377 each
GM __	2" Grommet hole (factory cut), liner, lid, in matching metal finish	Qty __ x 496 each

Please consult [page 7](#) for the palette of DatesWeiser finishes. Natural stone, non-standard glass and veneer, and other technology options are available. Please email customerservice@datesweiser.com for a custom quote. Consult technical information on [page 298](#) for construction details and technical information.

Highline Fifty Rectangular Conference Table

54"x108"/ 8 Person

03R54X108



Starting Price: **\$21.159**

54x108 table, slab veneer Tier 1 top, open painted base with no metal trim, powder coat finish

Pattern Number: 03R54X108

Step 1. Top Material

S	Slab (veneer only)	
V	Veneer layered	
G	Glass layered	
C	Corian layered	
Q	Caesarstone layered	

Step 2. Base Options

ON	Open Base, no metal trim	+ 0
MC __	Open Base, MC metal trim	+3,501
PM01	Open Base, PM01 metal trim	+4,710
PM02	Open Base, PM02 metal trim	+4,710
PM03	Open Base, PM03 metal trim	+5,886

Step 3. Edge Selection/Finish

N __	No Edge	+0
AU __	Spinneybeck Leather: Acqua	+\$2,726
MC __	Powder Coat	+0
PM01	Polished Chrome	+1,320
PM02	Satin Nickel	+1,320
PM03	Oil Rubbed Bronze	+1,320

Step 4A. Top Finish

T1 __	Veneer Tier 1	+0
T2 __	Veneer Tier 2	+1,095
GC __	Clear Glass, back painted	+5,803
GE __	Etched matte Glass, back painted	+6,793
CS01	Corian Glacier White	+6,896
QS __	Caesarstone	Contact Rep.

Step 4B. Lower Layer Finish (Layer top only)

SL __	Satin Lacquer	+501
T __ __	Veneer Tier 1, 2, 3	+765
HG __	High Gloss Polyester	+842

Step 5. Base Finish

T1 __	Veneer Tier 1	+882
T2 __	Veneer Tier 2	+1,848
SL __	Satin Lacquer	+0
HG __	High Gloss Polyester	+4,036

Step 6. Power & Connectivity Access: Optional

DRHW	Drawer, Hardwired (layered edge only), Qty 4	+8,016
DRPI	Drawer, Plug In (layered edge only), Qty 4	+6,864
DRLK	Drawer, Linkable (layered edge only), Qty 4	+6,864
TMHW	Tabletop Metal lid, Hardwired, Qty 2	+8,796
TMPI	Tabletop Metal lid, Plug In, Qty 2	+7,496
TMLK	Tabletop Metal lid, Linkable, Qty 2	+6,394
TWHW	Tabletop Wood lid, Hardwired (veneer tops only), Qty 2	+8,062
TWPI	Tabletop Wood lid, Plug In (veneer tops only), Qty 2	+6,758
TWLK	Tabletop Wood lid, Linkable (veneer tops only), Qty 2	+5,662
UMHW	Undermount, Hardwired, Qty 4	+4,788
UMPI	Undermount, Plug In, Qty 4	+3,480
UMLK	Undermount, Linkable, Qty 4	+3,480
SOHW	Slide Out Power Box, Hardwired, Qty 4	+8,340
SOPI	Slide Out Power Box, Plug In, Qty 4	+7,076
SOLK	Slide Out Power Box, Linkable, Qty 4	+7,076

Step 7. Microphone and/or Grommet Accommodations: Optional

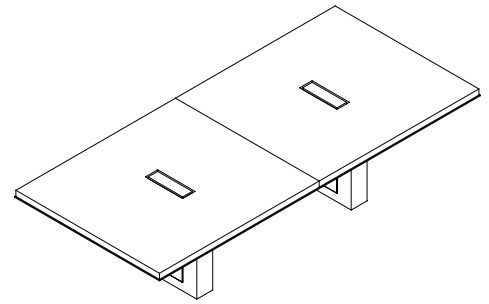
MA __	Microphone hole (factory cut)	Qty __ x 377 each
GM __	2" Grommet hole (factory cut), liner, lid, in matching metal finish	Qty __ x 496 each

Please consult [page 7](#) for the palette of DatesWeiser finishes. Natural stone, non-standard glass and veneer, and other technology options are available. Please email customerservice@datesweiser.com for a custom quote. Consult technical information on [page 298](#) for construction details and technical information.

Highline Fifty Rectangular Conference Table

54"x120"/ 10 Person

03R54X120



Starting Price: **\$22,274**

54x120 table, slab veneer Tier 1 top, open painted base with no metal trim, powder coat finish

Pattern Number: 03R54X120

Step 1. Top Material

S	Slab (veneer only)	
V	Veneer layered	
G	Glass layered	
C	Corian layered	
Q	Caesarstone layered	

Step 2. Base Options

ON	Open Base, no metal trim	+ 0
MC __	Open Base, MC metal trim	+3,501
PM01	Open Base, PM01 metal trim	+4,701
PM02	Open Base, PM02 metal trim	+4,701
PM03	Open Base, PM03 metal trim	+5,886

Step 3. Edge Selection/Finish

N __	No Edge	+0
AU __	Spinneybeck Leather: Acqua	+\$2,929
MC __	Powder Coat	+0
PM01	Polished Chrome	+1,320
PM02	Satin Nickel	+1,320
PM03	Oil Rubbed Bronze	+1,320

Step 4A. Top Finish

T1 __	Veneer Tier 1	+0
T2 __	Veneer Tier 2	+1,215
GC __	Clear Glass, back painted	+6,393
GE __	Etched matte Glass, back painted	+7,494
CS01	Corian Glacier White	+7,662
QS __	Caesarstone	Contact Rep.

Step 4B. Lower Layer Finish (Layer top only)

SL __	Satin Lacquer	+654
T __ __	Veneer Tier 1, 2, 3	+873
HG __	High Gloss Polyester	+962

Step 5. Base Finish

T1 __	Veneer Tier 1	+882
T2 __	Veneer Tier 2	+1,848
SL __	Satin Lacquer	+0
HG __	High Gloss Polyester	+4,036

Step 6. Power & Connectivity Access: Optional

DRHW	Drawer, Hardwired (layered edge only), Qty 6	+12,024
DRPI	Drawer, Plug In (layered edge only), Qty 6	+10,296
DRLK	Drawer, Linkable (layered edge only), Qty 6	+10,296
TMHW	Tabletop Metal lid, Hardwired, Qty 2	+8,796
TMPI	Tabletop Metal lid, Plug In, Qty 2	+7,496
TMLK	Tabletop Metal lid, Linkable, Qty 2	+6,394
TWHW	Tabletop Wood lid, Hardwired (veneer tops only), Qty 2	+8,062
TWPI	Tabletop Wood lid, Plug In (veneer tops only), Qty 2	+6,758
TWLK	Tabletop Wood lid, Linkable (veneer tops only), Qty 2	+5,662
UMHW	Undermount, Hardwired, Qty 6	+7,182
UMPI	Undermount, Plug In, Qty 6	+5,220
UMLK	Undermount, Linkable, Qty 6	+5,220
SOHW	Slide Out Power Box, Hardwired, Qty 6	+12,510
SOPI	Slide Out Power Box, Plug In, Qty 6	+10,614
SOLK	Slide Out Power Box, Linkable, Qty 6	+10,614

Step 7. Microphone and/or Grommet Accommodations: Optional

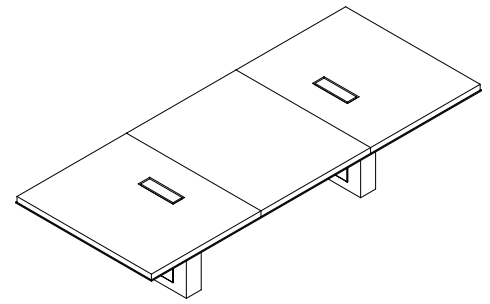
MA __	Microphone hole (factory cut)	Qty __ x 377 each
GM __	2" Grommet hole (factory cut), liner, lid, in matching metal finish	Qty __ x 496 each

Please consult [page 7](#) for the palette of DatesWeiser finishes. Natural stone, non-standard glass and veneer, and other technology options are available. Please email customerservice@datesweiser.com for a custom quote. Consult technical information on [page 298](#) for construction details and technical information.

Highline Fifty Rectangular Conference Table

54"x132"/ 10 Person

03R54X132



Starting Price: **\$27,916**

54x132 table, slab veneer Tier 1 top, open painted base with no metal trim, powder coat finish

Pattern Number: 03R54X132

Step 1. Top Material

S	Slab (veneer only)	
V	Veneer layered	
G	Glass layered	
C	Corian layered	
Q	Caesarstone layered	

Step 2. Base Options

ON	Open Base, no metal trim	+ 0
MC __	Open Base, MC metal trim	+3,501
PM01	Open Base, PM01 metal trim	+4,710
PM02	Open Base, PM02 metal trim	+4,710
PM03	Open Base, PM03 metal trim	+5,886

Step 3. Edge Selection/Finish

N __	No Edge	+0
AU __	Spinneybeck Leather: Acqua	+\$3,130
MC __	Powder Coat	+0
PM01	Polished Chrome	+1,504
PM02	Satin Nickel	+1,504
PM03	Oil Rubbed Bronze	+1,504

Step 4A. Top Finish

T1 __	Veneer Tier 1	+0
T2 __	Veneer Tier 2	+1,337
GC __	Clear Glass, back painted	+7,176
GE __	Etched matte Glass, back painted	+8,387
CS01	Corian Glacier White	+8,427
QS __	Caesarstone	Contact Rep.

Step 4B. Lower Layer Finish (Layer top only)

SL __	Satin Lacquer	+662
T __ __	Veneer Tier 1, 2, 3	+932
HG __	High Gloss Polyester	+1,025

Step 5. Base Finish

T1 __	Veneer Tier 1	+882
T2 __	Veneer Tier 2	+1,848
SL __	Satin Lacquer	+0
HG __	High Gloss Polyester	+4,036

Step 6. Power & Connectivity Access: Optional

DRHW	Drawer, Hardwired (layered edge only), Qty 6	+12,024
DRPI	Drawer, Plug In (layered edge only), Qty 6	+10,296
DRLK	Drawer, Linkable (layered edge only), Qty 6	+10,296
TMHW	Tabletop Metal lid, Hardwired, Qty 2	+8,796
TMPI	Tabletop Metal lid, Plug In, Qty 2	+7,496
TMLK	Tabletop Metal lid, Linkable, Qty 2	+6,394
TWHW	Tabletop Wood lid, Hardwired (veneer tops only), Qty 2	+8,062
TWPI	Tabletop Wood lid, Plug In (veneer tops only), Qty 2	+6,758
TWLK	Tabletop Wood lid, Linkable (veneer tops only), Qty 2	+5,662
UMHW	Undermount, Hardwired, Qty 6	+7,182
UMPI	Undermount, Plug In, Qty 6	+5,220
UMLK	Undermount, Linkable, Qty 6	+5,220
SOHW	Slide Out Power Box, Hardwired, Qty 6	+12,510
SOPI	Slide Out Power Box, Plug In, Qty 6	+10,614
SOLK	Slide Out Power Box, Linkable, Qty 6	+10,614

Step 7. Microphone and/or Grommet Accommodations: Optional

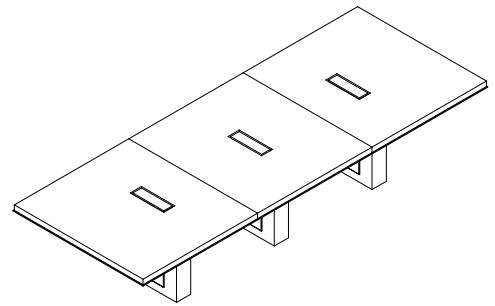
MA __	Microphone hole (factory cut)	Qty __ x 377 each
GM __	2" Grommet hole (factory cut), liner, lid, in matching metal finish	Qty __ x 496 each

Please consult [page 7](#) for the palette of DatesWeiser finishes. Natural stone, non-standard glass and veneer, and other technology options are available. Please email customerservice@datesweiser.com for a custom quote. Consult technical information on [page 298](#) for construction details and technical information.

Highline Fifty Rectangular Conference Table

54"x144"/ 10 Person

03R54X144



Starting Price: **\$29,306**

54x144 table, slab veneer Tier 1 top, open painted base with no metal trim, powder coat finish

Pattern Number: 03R54X144

Step 1. Top Material

S	Slab (veneer only)	
V	Veneer layered	
G	Glass layered	
C	Corian layered	
Q	Caesarstone layered	

Step 2. Base Options

ON	Open Base, no metal trim	+ 0
MC __	Open Base, MC metal trim	+5,250
PM01	Open Base, PM01 metal trim	+7,065
PM02	Open Base, PM02 metal trim	+7,065
PM03	Open Base, PM03 metal trim	+8,830

Step 3. Edge Selection/Finish

N __	No Edge	+0
AU __	Spinneybeck Leather: Acqua	+\$3,332
MC __	Powder Coat	+0
PM01	Polished Chrome	+1,504
PM02	Satin Nickel	+1,504
PM03	Oil Rubbed Bronze	+1,504

Step 4A. Top Finish

T1 __	Veneer Tier 1	+0
T2 __	Veneer Tier 2	+1,459
GC __	Clear Glass, back painted	+7,780
GE __	Etched matte Glass, back painted	+7,780
CS01	Corian Glacier White	+9,193
QS __	Caesarstone	Contact Rep.

Step 4B. Lower Layer Finish (Layer top only)

SL __	Satin Lacquer	+677
T __	Veneer Tier 1, 2, 3	+990
HG __	High Gloss Polyester	+1,089

Step 5. Base Finish

T1 __	Veneer Tier 1	+1,323
T2 __	Veneer Tier 2	+2,772
SL __	Satin Lacquer	+0
HG __	High Gloss Polyester	+6,054

Step 6. Power & Connectivity Access: Optional

DRHW	Drawer, Hardwired (layered edge only), Qty 6	+12,024
DRPI	Drawer, Plug In (layered edge only), Qty 6	+10,296
DRLK	Drawer, Linkable (layered edge only), Qty 6	+10,296
TMHW	Tabletop Metal lid, Hardwired, Qty 3	+13,194
TMPI	Tabletop Metal lid, Plug In, Qty 3	+11,244
TMLK	Tabletop Metal lid, Linkable, Qty 3	+9,591
TWHW	Tabletop Wood lid, Hardwired (veneer tops only), Qty 3	+12,093
TWPI	Tabletop Wood lid, Plug In (veneer tops only), Qty 3	+10,137
TWLK	Tabletop Wood lid, Linkable (veneer tops only), Qty 3	+8,493
UMHW	Undermount, Hardwired, Qty 6	+7,182
UMPI	Undermount, Plug In, Qty 6	+5,220
UMLK	Undermount, Linkable, Qty 6	+5,220
SOHW	Slide Out Power Box, Hardwired, Qty 6	+12,510
SOPI	Slide Out Power Box, Plug In, Qty 6	+10,614
SOLK	Slide Out Power Box, Linkable, Qty 6	+10,614

Step 7. Microphone and/or Grommet Accommodations: Optional

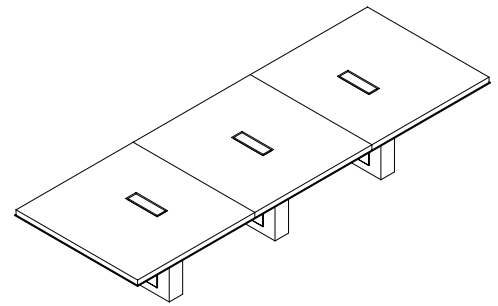
MA __	Microphone hole (factory cut)	Qty __ x 377 each
GM __	2" Grommet hole (factory cut), liner, lid, in matching metal finish	Qty __ x 496 each

Please consult [page 7](#) for the palette of DatesWeiser finishes. Natural stone, non-standard glass and veneer, and other technology options are available. Please email customerservice@datesweiser.com for a custom quote. Consult technical information on [page 298](#) for construction details and technical information.

Highline Fifty Rectangular Conference Table

54"x156"/ 10 Person

03R54X156



Starting Price: **\$30,232**

54x156 table, slab veneer Tier 1 top, open painted base with no metal trim, powder coat finish

Pattern Number: 03R54X156

Step 1. Top Material

S	Slab (veneer only)	
V	Veneer layered	
G	Glass layered	
C	Corian layered	
Q	Caesarstone layered	

Step 2. Base Options

ON	Open Base, no metal trim	+ 0
MC __	Open Base, MC metal trim	+5,250
PM01	Open Base, PM01 metal trim	+7,065
PM02	Open Base, PM02 metal trim	+7,065
PM03	Open Base, PM03 metal trim	+8,830

Step 3. Edge Selection/Finish

N __	No Edge	+0
AU __	Spinneybeck Leather: Acqua	+\$3,535
MC __	Powder Coat	+0
PM01	Polished Chrome	+1,504
PM02	Satin Nickel	+1,504
PM03	Oil Rubbed Bronze	+1,504

Step 4A. Top Finish

T1 __	Veneer Tier 1	+0
T2 __	Veneer Tier 2	+1,580
GC __	Clear Glass, back painted	+8,365
GE __	Etched matte Glass, back painted	+9,796
CS01	Corian Glacier White	+10,383
QS __	Caesarstone	Contact Rep.

Step 4B. Lower Layer Finish (Layer top only)

SL __	Satin Lacquer	+699
T __ __	Veneer Tier 1, 2, 3	+999
HG __	High Gloss Polyester	+1,097

Step 5. Base Finish

T1 __	Veneer Tier 1	+1,323
T2 __	Veneer Tier 2	+2,772
SL __	Satin Lacquer	+0
HG __	High Gloss Polyester	+6,054

Step 6. Power & Connectivity Access: Optional

DRHW	Drawer, Hardwired (layered edge only), Qty 6	+12,024
DRPI	Drawer, Plug In (layered edge only), Qty 6	+10,296
DRLK	Drawer, Linkable (layered edge only), Qty 6	+10,296
TMHW	Tabletop Metal lid, Hardwired, Qty 3	+13,194
TMPI	Tabletop Metal lid, Plug In, Qty 3	+11,244
TMLK	Tabletop Metal lid, Linkable, Qty 3	+9,591
TWHW	Tabletop Wood lid, Hardwired (veneer tops only), Qty 3	+12,093
TWPI	Tabletop Wood lid, Plug In (veneer tops only), Qty 3	+10,137
TWLK	Tabletop Wood lid, Linkable (veneer tops only), Qty 3	+8,493
UMHW	Undermount, Hardwired, Qty 6	+7,182
UMPI	Undermount, Plug In, Qty 6	+5,220
UMLK	Undermount, Linkable, Qty 6	+5,220
SOHW	Slide Out Power Box, Hardwired, Qty 6	+12,510
SOPI	Slide Out Power Box, Plug In, Qty 6	+10,614
SOLK	Slide Out Power Box, Linkable, Qty 6	+10,614

Step 7. Microphone and/or Grommet Accommodations: Optional

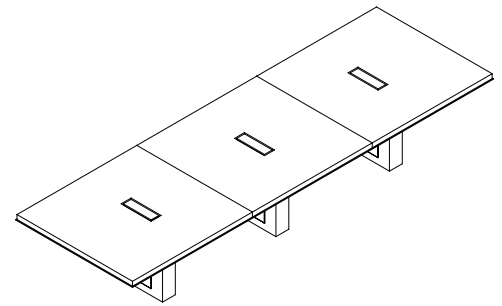
MA __	Microphone hole (factory cut)	Qty __ x 377 each
GM __	2" Grommet hole (factory cut), liner, lid, in matching metal finish	Qty __ x 496 each

Please consult [page 7](#) for the palette of DatesWeiser finishes. Natural stone, non-standard glass and veneer, and other technology options are available. Please email customerservice@datesweiser.com for a custom quote. Consult technical information on [page 298](#) for construction details and technical information.

Highline Fifty Rectangular Conference Table

54"x168"/ 12 Person

03R54X168



Starting Price: **\$31,852**

54x168 table, slab veneer Tier 1 top, open painted base with no metal trim, powder coat finish

Pattern Number: 03R54X168

Step 1. Top Material

S	Slab (veneer only)	
V	Veneer layered	
G	Glass layered	
C	Corian layered	
Q	Caesarstone layered	

Step 2. Base Options

ON	Open Base, no metal trim	+ 0
MC __	Open Base, MC metal trim	+5,250
PM01	Open Base, PM01 metal trim	+7,065
PM02	Open Base, PM02 metal trim	+7,065
PM03	Open Base, PM03 metal trim	+8,830

Step 3. Edge Selection/Finish

N __	No Edge	+0
AU __	Spinneybeck Leather: Acqua	+\$3,736
MC __	Powder Coat	+0
PM01	Polished Chrome	+2,244
PM02	Satin Nickel	+2,244
PM03	Oil Rubbed Bronze	+2,244

Step 4A. Top Finish

T1 __	Veneer Tier 1	+0
T2 __	Veneer Tier 2	+1,702
GC __	Clear Glass, back painted	+8,979
GE __	Etched matte Glass, back painted	+10,521
CS01	Corian Glacier White	+10,727
QS __	Caesarstone	Contact Rep.

Step 4B. Lower Layer Finish (Layer top only)

SL __	Satin Lacquer	+764
T __ __	Veneer Tier 1, 2, 3	+1,098
HG __	High Gloss Polyester	+1,208

Step 5. Base Finish

T1 __	Veneer Tier 1	+1,323
T2 __	Veneer Tier 2	+2,772
SL __	Satin Lacquer	+0
HG __	High Gloss Polyester	+6,054

Step 6. Power & Connectivity Access: Optional

DRHW	Drawer, Hardwired (layered edge only), Qty 6	+12,024
DRPI	Drawer, Plug In (layered edge only), Qty 6	+10,296
DRLK	Drawer, Linkable (layered edge only), Qty 6	+10,296
TMHW	Tabletop Metal lid, Hardwired, Qty 3	+13,194
TMPI	Tabletop Metal lid, Plug In, Qty 3	+11,244
TMLK	Tabletop Metal lid, Linkable, Qty 3	+9,591
TWHW	Tabletop Wood lid, Hardwired (veneer tops only), Qty 3	+12,093
TWPI	Tabletop Wood lid, Plug In (veneer tops only), Qty 3	+10,137
TWLK	Tabletop Wood lid, Linkable (veneer tops only), Qty 3	+8,493
UMHW	Undermount, Hardwired, Qty 6	+7,182
UMPI	Undermount, Plug In, Qty 6	+5,220
UMLK	Undermount, Linkable, Qty 6	+5,220
SOHW	Slide Out Power Box, Hardwired, Qty 6	+12,510
SOPI	Slide Out Power Box, Plug In, Qty 6	+10,614
SOLK	Slide Out Power Box, Linkable, Qty 6	+10,614

Step 7. Microphone and/or Grommet Accommodations: Optional

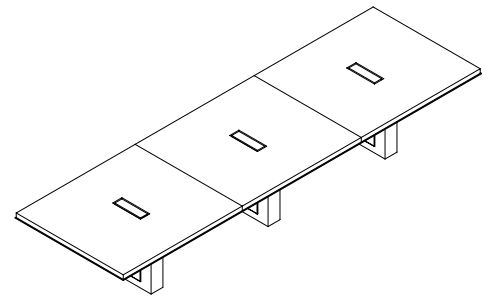
MA __	Microphone hole (factory cut)	Qty __ x 377 each
GM __	2" Grommet hole (factory cut), liner, lid, in matching metal finish	Qty __ x 496 each

Please consult [page 7](#) for the palette of DatesWeiser finishes. Natural stone, non-standard glass and veneer, and other technology options are available. Please email customerservice@datesweiser.com for a custom quote. Consult technical information on [page 298](#) for construction details and technical information.

Highline Fifty Rectangular Conference Table

54"x180"/ 14 Person

03R54X180



Starting Price: **\$32,861**

54x180 table, slab veneer Tier 1 top, open painted base with no metal trim, powder coat finish

Pattern Number: 03R54X180

Step 1. Top Material

S	Slab (veneer only)	
V	Veneer layered	
G	Glass layered	
C	Corian layered	
Q	Caesarstone layered	

Step 2. Base Options

ON	Open Base, no metal trim	+ 0
MC __	Open Base, MC metal trim	+5,250
PM01	Open Base, PM01 metal trim	+7,065
PM02	Open Base, PM02 metal trim	+7,065
PM03	Open Base, PM03 metal trim	+8,830

Step 3. Edge Selection/Finish

N __	No Edge	+0
AU __	Spinneybeck Leather: Acqua	+\$3,938
MC __	Powder Coat	+0
PM01	Polished Chrome	+2,244
PM02	Satin Nickel	+2,244
PM03	Oil Rubbed Bronze	+2,244

Step 4A. Top Finish

T1 __	Veneer Tier 1	+0
T2 __	Veneer Tier 2	+1,812
GC __	Clear Glass, back painted	+9,555
GE __	Etched matte Glass, back painted	+11,208
CS01	Corian Glacier White	+11,481
QS __	Caesarstone	Contact Rep.

Step 4B. Lower Layer Finish (Layer top only)

SL __	Satin Lacquer	+784
T __	Veneer Tier 1, 2, 3	+1,215
HG __	High Gloss Polyester	+1,337

Step 5. Base Finish

T1 __	Veneer Tier 1	+1,323
T2 __	Veneer Tier 2	+2,772
SL __	Satin Lacquer	+0
HG __	High Gloss Polyester	+6,054

Step 6. Power & Connectivity Access: Optional

DRHW	Drawer, Hardwired (layered edge only), Qty 8	+16,032
DRPI	Drawer, Plug In (layered edge only), Qty 8	+13,728
DRLK	Drawer, Linkable (layered edge only), Qty 8	+13,728
TMHW	Tabletop Metal lid, Hardwired, Qty 3	+13,194
TMPI	Tabletop Metal lid, Plug In, Qty 3	+11,244
TMLK	Tabletop Metal lid, Linkable, Qty 3	+9,591
TWHW	Tabletop Wood lid, Hardwired (veneer tops only), Qty 3	+12,093
TWPI	Tabletop Wood lid, Plug In (veneer tops only), Qty 3	+10,137
TWLK	Tabletop Wood lid, Linkable (veneer tops only), Qty 3	+8,493
UMHW	Undermount, Hardwired, Qty 8	+9,576
UMPI	Undermount, Plug In, Qty 8	+6,960
UMLK	Undermount, Linkable, Qty 8	+6,960
SOHW	Slide Out Power Box, Hardwired, Qty 8	+16,680
SOPI	Slide Out Power Box, Plug In, Qty 8	+14,152
SOLK	Slide Out Power Box, Linkable, Qty 8	+14,152

Step 7. Microphone and/or Grommet Accommodations: Optional

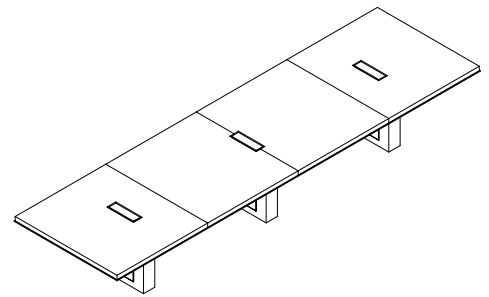
MA __	Microphone hole (factory cut)	Qty __ x 377 each
GM __	2" Grommet hole (factory cut), liner, lid, in matching metal finish	Qty __ x 496 each

Please consult [page 7](#) for the palette of DatesWeiser finishes. Natural stone, non-standard glass and veneer, and other technology options are available. Please email customerservice@datesweiser.com for a custom quote. Consult technical information on [page 298](#) for construction details and technical information.

Highline Fifty Rectangular Conference Table

54"x192"/ 14 Person

03R54X192



Starting Price: **\$37,963**

54x192 table, slab veneer Tier 1 top, open painted base with no metal trim, powder coat finish

Pattern Number: 03R54X192

Step 1. Top Material

S	Slab (veneer only)	
V	Veneer layered	
G	Glass layered	
C	Corian layered	
Q	Caesarstone layered	

Step 2. Base Options

ON	Open Base, no metal trim	+ 0
MC __	Open Base, MC metal trim	+5.250
PM01	Open Base, PM01 metal trim	+7.065
PM02	Open Base, PM02 metal trim	+7.065
PM03	Open Base, PM03 metal trim	+8.830

Step 3. Edge Selection/Finish

N __	No Edge	+0
AU __	Spinneybeck Leather: Acqua	+\$4,140
MC __	Powder Coat	+0
PM01	Polished Chrome	+2,244
PM02	Satin Nickel	+2,244
PM03	Oil Rubbed Bronze	+2,244

Step 4A. Top Finish

T1 __	Veneer Tier 1	+0
T2 __	Veneer Tier 2	+1,944
GC __	Clear Glass, back painted	+10,328
GE __	Etched matte Glass, back painted	+12,089
CS01	Corian Glacier White	+12,260
QS __	Caesarstone	Contact Rep.

Step 4B. Lower Layer Finish (Layer top only)

SL __	Satin Lacquer	+840
T __ __	Veneer Tier 1, 2, 3	+1,245
HG __	High Gloss Polyester	+1,369

Step 5. Base Finish

T1 __	Veneer Tier 1	+1,323
T2 __	Veneer Tier 2	+2,772
SL __	Satin Lacquer	+0
HG __	High Gloss Polyester	+6,054

Step 6. Power & Connectivity Access: Optional

DRHW	Drawer, Hardwired (layered edge only), Qty 8	+16,032
DRPI	Drawer, Plug In (layered edge only), Qty 8	+13,728
DRLK	Drawer, Linkable (layered edge only), Qty 8	+13,728
TMHW	Tabletop Metal lid, Hardwired, Qty 3	+13,194
TMPI	Tabletop Metal lid, Plug In, Qty 3	+11,244
TMLK	Tabletop Metal lid, Linkable, Qty 3	+9,591
TWHW	Tabletop Wood lid, Hardwired (veneer tops only), Qty 3	+12,093
TWPI	Tabletop Wood lid, Plug In (veneer tops only), Qty 3	+10,137
TWLK	Tabletop Wood lid, Linkable (veneer tops only), Qty 3	+8,493
UMHW	Undermount, Hardwired, Qty 8	+9,576
UMPI	Undermount, Plug In, Qty 8	+6,960
UMLK	Undermount, Linkable, Qty 8	+6,960
SOHW	Slide Out Power Box, Hardwired, Qty 8	+16,680
SOPI	Slide Out Power Box, Plug In, Qty 8	+14,152
SOLK	Slide Out Power Box, Linkable, Qty 8	+14,152

Step 7. Microphone and/or Grommet Accommodations: Optional

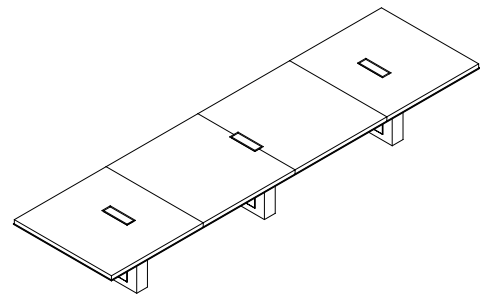
MA __	Microphone hole (factory cut)	Qty __ x 377 each
GM __	2" Grommet hole (factory cut), liner, lid, in matching metal finish	Qty __ x 496 each

Please consult [page 7](#) for the palette of DatesWeiser finishes. Natural stone, non-standard glass and veneer, and other technology options are available. Please email customerservice@datesweiser.com for a custom quote. Consult technical information on [page 298](#) for construction details and technical information.

Highline Fifty Rectangular Conference Table

54"x204"/ 14 Person

03R54X204



Starting Price: **\$38,999**

54x204 table, slab veneer Tier 1 top, open painted base with no metal trim, powder coat finish

Pattern Number: 03R54X204

Step 1. Top Material

S	Slab (veneer only)
V	Veneer layered
G	Glass layered
C	Corian layered
Q	Caesarstone layered

Step 2. Base Options

ON	Open Base, no metal trim	+ 0
MC __	Open Base, MC metal trim	+5,250
PM01	Open Base, PM01 metal trim	+7,065
PM02	Open Base, PM02 metal trim	+7,065
PM03	Open Base, PM03 metal trim	+8,830

Step 3. Edge Selection/Finish

N __	No Edge	+0
AU __	Spinneybeck Leather: Acqua	+\$4,342
MC __	Powder Coat	+0
PM01	Polished Chrome	+2,244
PM02	Satin Nickel	+2,244
PM03	Oil Rubbed Bronze	+2,244

Step 4A. Top Finish

T1 __	Veneer Tier 1	+0
T2 __	Veneer Tier 2	+2,066
GC __	Clear Glass, back painted	+10,915
GE __	Etched matte Glass, back painted	+12,789
CS01	Corian Glacier White	+13,024
QS __	Caesarstone	Contact Rep.

Step 4B. Lower Layer Finish (Layer top only)

SL __	Satin Lacquer	+923
T __	Veneer Tier 1, 2, 3	+1,312
HG __	High Gloss Polyester	+1,441

Step 5. Base Finish

T1 __	Veneer Tier 1	+1,323
T2 __	Veneer Tier 2	+2,772
SL __	Satin Lacquer	+0
HG __	High Gloss Polyester	+6,054

Step 6. Power & Connectivity Access: Optional

DRHW	Drawer, Hardwired (layered edge only), Qty 8	+16,032
DRPI	Drawer, Plug In (layered edge only), Qty 8	+13,728
DRLK	Drawer, Linkable (layered edge only), Qty 8	+13,728
TMHW	Tabletop Metal lid, Hardwired, Qty 3	+13,194
TMPI	Tabletop Metal lid, Plug In, Qty 3	+11,244
TMLK	Tabletop Metal lid, Linkable, Qty 3	+9,591
TWHW	Tabletop Wood lid, Hardwired (veneer tops only), Qty 3	+12,093
TWPI	Tabletop Wood lid, Plug In (veneer tops only), Qty 3	+10,137
TWLK	Tabletop Wood lid, Linkable (veneer tops only), Qty 3	+8,493
UMHW	Undermount, Hardwired, Qty 8	+9,576
UMPI	Undermount, Plug In, Qty 8	+6,960
UMLK	Undermount, Linkable, Qty 8	+6,960
SOHW	Slide Out Power Box, Hardwired, Qty 8	+16,680
SOPI	Slide Out Power Box, Plug In, Qty 8	+14,152
SOLK	Slide Out Power Box, Linkable, Qty 8	+14,152

Step 7. Microphone and/or Grommet Accommodations: Optional

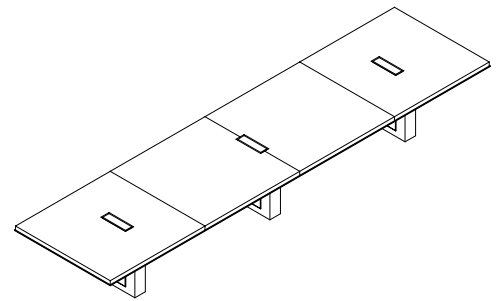
MA __	Microphone hole (factory cut)	Qty __ x 377 each
GM __	2" Grommet hole (factory cut), liner, lid, in matching metal finish	Qty __ x 496 each

Please consult [page 7](#) for the palette of DatesWeiser finishes. Natural stone, non-standard glass and veneer, and other technology options are available. Please email customerservice@datesweiser.com for a custom quote. Consult technical information on [page 298](#) for construction details and technical information.

Highline Fifty Rectangular Conference Table

54"x216"/ 16 Person

03R54X216



Starting Price: **\$40,021**

54x216 table, slab veneer Tier 1 top, open painted base with no metal trim, powder coat finish

Pattern Number: 03R54X216

Step 1. Top Material

S	Slab (veneer only)	
V	Veneer layered	
G	Glass layered	
C	Corian layered	
Q	Caesarstone layered	

Step 2. Base Options

ON	Open Base, no metal trim	+ 0
MC __	Open Base, MC metal trim	+5,250
PM01	Open Base, PM01 metal trim	+7,065
PM02	Open Base, PM02 metal trim	+7,065
PM03	Open Base, PM03 metal trim	+8,830

Step 3. Edge Selection/Finish

N __	No Edge	+0
AU __	Spinneybeck Leather: Acqua	+\$4,544
MC __	Powder Coat	+0
PM01	Polished Chrome	+2,244
PM02	Satin Nickel	+2,244
PM03	Oil Rubbed Bronze	+2,244

Step 4A. Top Finish

T1 __	Veneer Tier 1	+0
T2 __	Veneer Tier 2	+2,187
GC __	Clear Glass, back painted	+11,504
GE __	Etched matte Glass, back painted	+13,488
CS01	Corian Glacier White	+13,791
QS __	Caesarstone	Contact Rep.

Step 4B. Lower Layer Finish (Layer top only)

SL __	Satin Lacquer	+967
T __	Veneer Tier 1, 2, 3	+1,383
HG __	High Gloss Polyester	+1,522

Step 5. Base Finish

T1 __	Veneer Tier 1	+1,323
T2 __	Veneer Tier 2	+2,772
SL __	Satin Lacquer	+0
HG __	High Gloss Polyester	+6,054

Step 6. Power & Connectivity Access: Optional

DRHW	Drawer, Hardwired (layered edge only), Qty 8	+16,032
DRPI	Drawer, Plug In (layered edge only), Qty 8	+13,728
DRLK	Drawer, Linkable (layered edge only), Qty 8	+13,728
TMHW	Tabletop Metal lid, Hardwired, Qty 3	+13,194
TMPI	Tabletop Metal lid, Plug In, Qty 3	+11,244
TMLK	Tabletop Metal lid, Linkable, Qty 3	+9,591
TWHW	Tabletop Wood lid, Hardwired (veneer tops only), Qty 3	+12,093
TWPI	Tabletop Wood lid, Plug In (veneer tops only), Qty 3	+10,137
TWLK	Tabletop Wood lid, Linkable (veneer tops only), Qty 3	+8,493
UMHW	Undermount, Hardwired, Qty 8	+9,576
UMPI	Undermount, Plug In, Qty 8	+6,960
UMLK	Undermount, Linkable, Qty 8	+6,960
SOHW	Slide Out Power Box, Hardwired, Qty 8	+16,680
SOPI	Slide Out Power Box, Plug In, Qty 8	+14,152
SOLK	Slide Out Power Box, Linkable, Qty 8	+14,152

Step 7. Microphone and/or Grommet Accommodations: Optional

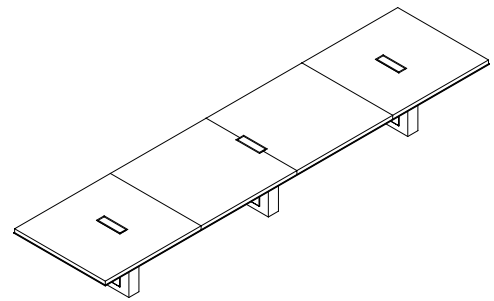
MA __	Microphone hole (factory cut)	Qty __ x 377 each
GM __	2" Grommet hole (factory cut), liner, lid, in matching metal finish	Qty __ x 496 each

Please consult [page 7](#) for the palette of DatesWeiser finishes. Natural stone, non-standard glass and veneer, and other technology options are available. Please email customerservice@datesweiser.com for a custom quote. Consult technical information on [page 298](#) for construction details and technical information.

Highline Fifty Rectangular Conference Table

54"x228"/ 16 Person

03R54X228



Starting Price: **\$41,085**

54x228 table, slab veneer Tier 1 top, open painted base with no metal trim, powder coat finish

Pattern Number: 03R54X228

Step 1. Top Material

S	Slab (veneer only)
V	Veneer layered
G	Glass layered
C	Corian layered
Q	Caesarstone layered

Step 2. Base Options

ON	Open Base, no metal trim	+ 0
MC __	Open Base, MC metal trim	+5,250
PM01	Open Base, PM01 metal trim	+7,065
PM02	Open Base, PM02 metal trim	+7,065
PM03	Open Base, PM03 metal trim	+8,830

Step 3. Edge Selection/Finish

N __	No Edge	+0
AU __	Spinneybeck Leather: Acqua	+\$4,746
MC __	Powder Coat	+0
PM01	Polished Chrome	+2,244
PM02	Satin Nickel	+2,244
PM03	Oil Rubbed Bronze	+2,244

Step 4A. Top Finish

T1 __	Veneer Tier 1	+0
T2 __	Veneer Tier 2	+2,307
GC __	Clear Glass, back painted	+12,094
GE __	Etched matte Glass, back painted	+14,186
CS01	Corian Glacier White	+14,555
QS __	Caesarstone	Contact Rep.

Step 4B. Lower Layer Finish (Layer top only)

SL __	Satin Lacquer	+982
T __	Veneer Tier 1, 2, 3	+1,456
HG __	High Gloss Polyester	+1,603

Step 5. Base Finish

T1 __	Veneer Tier 1	+1,323
T2 __	Veneer Tier 2	+2,772
SL __	Satin Lacquer	+0
HG __	High Gloss Polyester	+6,054

Step 6. Power & Connectivity Access: Optional

DRHW	Drawer, Hardwired (layered edge only), Qty 8	+16,032
DRPI	Drawer, Plug In (layered edge only), Qty 8	+13,728
DRLK	Drawer, Linkable (layered edge only), Qty 8	+13,728
TMHW	Tabletop Metal lid, Hardwired, Qty 3	+13,194
TMPI	Tabletop Metal lid, Plug In, Qty 3	+11,244
TMLK	Tabletop Metal lid, Linkable, Qty 3	+9,591
TWHW	Tabletop Wood lid, Hardwired (veneer tops only), Qty 3	+12,093
TWPI	Tabletop Wood lid, Plug In (veneer tops only), Qty 3	+10,137
TWLK	Tabletop Wood lid, Linkable (veneer tops only), Qty 3	+8,493
UMHW	Undermount, Hardwired, Qty 8	+9,576
UMPI	Undermount, Plug In, Qty 8	+6,960
UMLK	Undermount, Linkable, Qty 8	+6,960
SOHW	Slide Out Power Box, Hardwired, Qty 8	+16,680
SOPI	Slide Out Power Box, Plug In, Qty 8	+14,152
SOLK	Slide Out Power Box, Linkable, Qty 8	+14,152

Step 7. Microphone and/or Grommet Accommodations: Optional

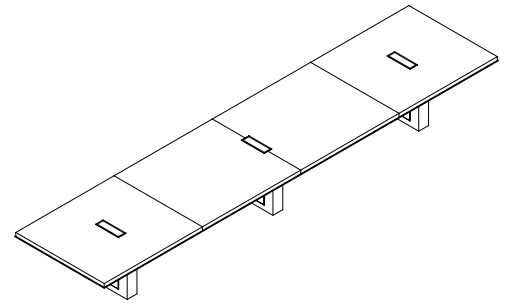
MA __	Microphone hole (factory cut)	Qty __ x 377 each
GM __	2" Grommet hole (factory cut), liner, lid, in matching metal finish	Qty __ x 496 each

Please consult [page 7](#) for the palette of DatesWeiser finishes. Natural stone, non-standard glass and veneer, and other technology options are available. Please email customerservice@datesweiser.com for a custom quote. Consult technical information on [page 298](#) for construction details and technical information.

Highline Fifty Rectangular Conference Table

54"x240"/ 18 Person

03R54X240



Starting Price: **\$42,094**

54x240 table, slab veneer Tier 1 top, open painted base with no metal trim, powder coat finish

Pattern Number: 03R54X240

Step 1. Top Material

S	Slab (veneer only)	
V	Veneer layered	
G	Glass layered	
C	Corian layered	
Q	Caesarstone layered	

Step 2. Base Options

ON	Open Base, no metal trim	+ 0
MC __	Open Base, MC metal trim	+5,250
PM01	Open Base, PM01 metal trim	+7,065
PM02	Open Base, PM02 metal trim	+7,065
PM03	Open Base, PM03 metal trim	+8,830

Step 3. Edge Selection/Finish

N __	No Edge	+0
AU __	Spinneybeck Leather: Acqua	+\$4,948
MC __	Powder Coat	+0
PM01	Polished Chrome	+2,244
PM02	Satin Nickel	+2,244
PM03	Oil Rubbed Bronze	+2,244

Step 4A. Top Finish

T1 __	Veneer Tier 1	+0
T2 __	Veneer Tier 2	+2,430
GC __	Clear Glass, back painted	+12,682
GE __	Etched matte Glass, back painted	+14,885
CS01	Corian Glacier White	+15,322
QS __	Caesarstone	Contact Rep.

Step 4B. Lower Layer Finish (Layer top only)

SL __	Satin Lacquer	+1,034
T __ __	Veneer Tier 1, 2, 3	+1,566
HG __	High Gloss Polyester	+1,721

Step 5. Base Finish

T1 __	Veneer Tier 1	+1,323
T2 __	Veneer Tier 2	+2,772
SL __	Satin Lacquer	+0
HG __	High Gloss Polyester	+6,054

Step 6. Power & Connectivity Access: Optional

DRHW	Drawer, Hardwired (layered edge only), Qty 10	+20,040
DRPI	Drawer, Plug In (layered edge only), Qty 10	+17,160
DRLK	Drawer, Linkable (layered edge only), Qty 10	+17,160
TMHW	Tabletop Metal lid, Hardwired, Qty 3	+13,194
TMPI	Tabletop Metal lid, Plug In, Qty 3	+11,244
TMLK	Tabletop Metal lid, Linkable, Qty 3	+9,591
TWHW	Tabletop Wood lid, Hardwired (veneer tops only), Qty 3	+12,093
TWPI	Tabletop Wood lid, Plug In (veneer tops only), Qty 3	+10,137
TWLK	Tabletop Wood lid, Linkable (veneer tops only), Qty 3	+8,493
UMHW	Undermount, Hardwired, Qty 10	+11,970
UMPI	Undermount, Plug In, Qty 10	+8,700
UMLK	Undermount, Linkable, Qty 10	+8,700
SOHW	Slide Out Power Box, Hardwired, Qty 10	+20,850
SOPI	Slide Out Power Box, Plug In, Qty 10	+17,690
SOLK	Slide Out Power Box, Linkable, Qty 10	+17,690

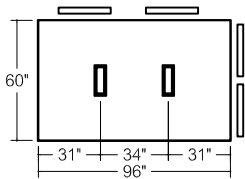
Step 7. Microphone and/or Grommet Accommodations: Optional

MA __	Microphone hole (factory cut)	Qty __ x 377 each
GM __	2" Grommet hole (factory cut), liner, lid, in matching metal finish	Qty __ x 496 each

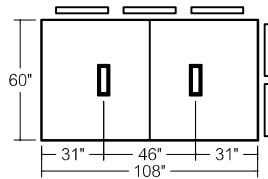
Please consult [page 7](#) for the palette of DatesWeiser finishes. Natural stone, non-standard glass and veneer, and other technology options are available. Please email customerservice@datesweiser.com for a custom quote. Consult technical information on [page 298](#) for construction details and technical information.

Highline Fifty Conference Tables Index

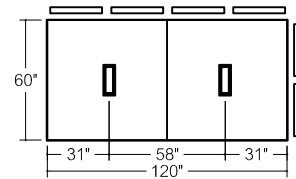
60" width



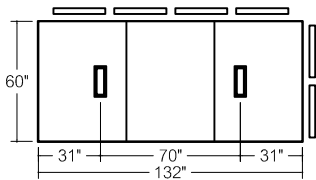
03R60X96
8 Person Table



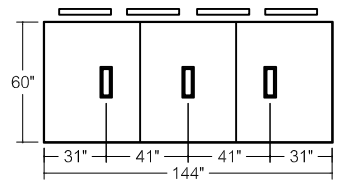
03R60X108
10 Person Table



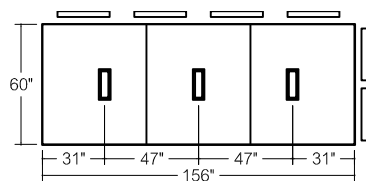
03R60X120
12 Person Table



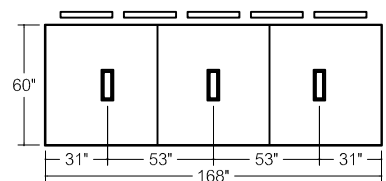
03R60X132
12 Person Table



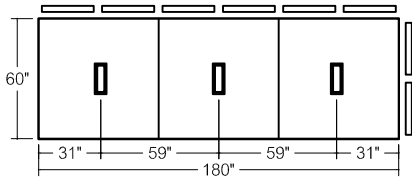
03R60X144
12 Person Table



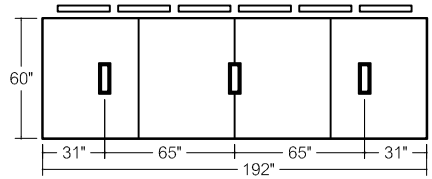
03R60X156
12 Person Table



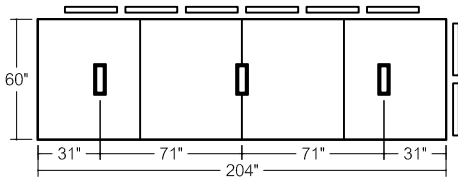
03R60X168
14 Person Table



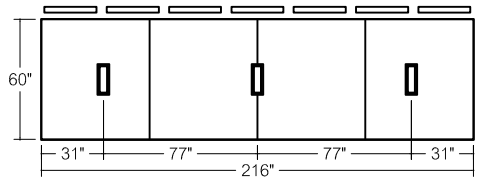
03R60X180
16 Person Table



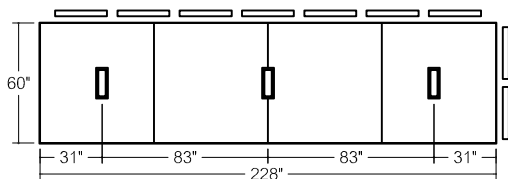
03R60X192
16 Person Table



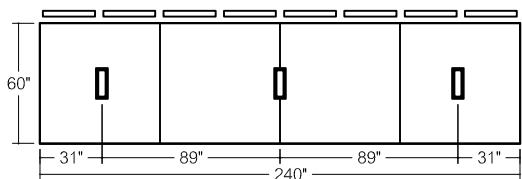
03R60X204
16 Person Table



03R60X216
18 Person Table



03R60X228
18 Person Table

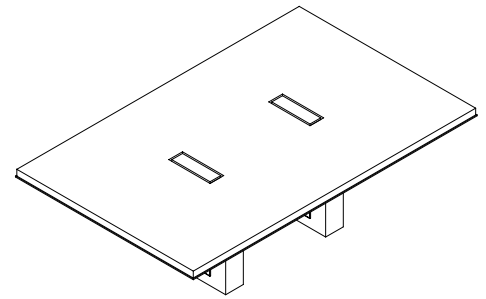


03R60X240
20 Person Table

Highline Fifty Rectangular Conference Table

60"x96"/ 8 Person

03R60X96



Starting Price: **\$20,190**

60x96 table, slab veneer Tier 1 top, open painted base with no metal trim, powder coat finish

Pattern Number: 03R60X96

Step 1. Top Material

S	Slab (veneer only)	
V	Veneer layered	
G	Glass layered	
C	Corian layered	
Q	Caesarstone layered	

Step 2. Base Options

ON	Open Base, no metal trim	+ 0
MC __	Open Base, MC metal trim	+3,501
PM01	Open Base, PM01 metal trim	+4,710
PM02	Open Base, PM02 metal trim	+4,710
PM03	Open Base, PM03 metal trim	+5,886

Step 3. Edge Selection/Finish

N __	No Edge	+0
AU __	Spinneybeck Leather: Acqua	+\$2,625
MC __	Powder Coat	+0
PM01	Polished Chrome	+1,338
PM02	Satin Nickel	+1,338
PM03	Oil Rubbed Bronze	+1,338

Step 4A. Top Finish

T1 __	Veneer Tier 1	+0
T2 __	Veneer Tier 2	+1,080
GC __	Clear Glass, back painted	+5,700
GE __	Etched matte Glass, back painted	+6,679
CS01	Corian Glacier White	+6,810
QS __	Caesarstone	Contact Rep.

Step 4B. Lower Layer Finish (Layer top only)

SL __	Satin Lacquer	+453
T ___	Veneer Tier 1, 2, 3	+705
HG __	High Gloss Polyester	+776

Step 5. Base Finish

T1 __	Veneer Tier 1	+984
T2 __	Veneer Tier 2	+2,356
SL __	Satin Lacquer	+0
HG __	High Gloss Polyester	+4,544

Step 6. Power & Connectivity Access: Optional

DRHW	Drawer, Hardwired (layered edge only), Qty 4	+8,016
DRPI	Drawer, Plug In (layered edge only), Qty 4	+6,864
DRLK	Drawer, Linkable (layered edge only), Qty 4	+6,864
TMHW	Tabletop Metal lid, Hardwired, Qty 2	+11,172
TMPI	Tabletop Metal lid, Plug In, Qty 2	+9,866
TMLK	Tabletop Metal lid, Linkable, Qty 2	+9,866
TWHW	Tabletop Wood lid, Hardwired (veneer tops only), Qty 2	+9,924
TWPI	Tabletop Wood lid, Plug In (veneer tops only), Qty 2	+8,574
TWLK	Tabletop Wood lid, Linkable (veneer tops only), Qty 2	+8,574
UMHW	Undermount, Hardwired, Qty 4	+4,788
UMPI	Undermount, Plug In, Qty 4	+3,480
UMLK	Undermount, Linkable, Qty 4	+3,480
SOHW	Slide Out Power Box, Hardwired, Qty 4	+8,340
SOPI	Slide Out Power Box, Plug In, Qty 4	+7,076
SOLK	Slide Out Power Box, Linkable, Qty 4	+7,076

Step 7. Microphone and/or Grommet Accommodations: Optional

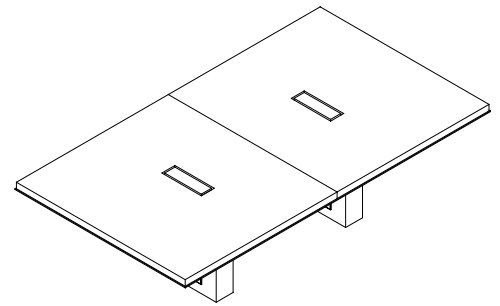
MA __	Microphone hole (factory cut)	Qty __ x 377 each
GM __	2" Grommet hole (factory cut), liner, lid, in matching metal finish	Qty __ x 496 each

Please consult [page 7](#) for the palette of DatesWeiser finishes. Natural stone, non-standard glass and veneer, and other technology options are available. Please email customerservice@datesweiser.com for a custom quote. Consult technical information on [page 298](#) for construction details and technical information.

Highline Fifty Rectangular Conference Table

60"x108"/ 10 Person

03R60X108



Starting Price: **\$21,300**

60x108 table, slab veneer Tier 1 top, open painted base with no metal trim, powder coat finish

Pattern Number: 03R60X108

Step 1. Top Material

S	Slab (veneer only)	
V	Veneer layered	
G	Glass layered	
C	Corian layered	
Q	Caesarstone layered	

Step 2. Base Options

ON	Open Base, no metal trim	+ 0
MC __	Open Base, MC metal trim	+3,501
PM01	Open Base, PM01 metal trim	+4,710
PM02	Open Base, PM02 metal trim	+4,710
PM03	Open Base, PM03 metal trim	+5,886

Step 3. Edge Selection/Finish

N __	No Edge	+0
AU __	Spinneybeck Leather: Acqua	+\$2,827
MC __	Powder Coat	+0
PM01	Polished Chrome	+1,338
PM02	Satin Nickel	+1,338
PM03	Oil Rubbed Bronze	+1,338

Step 4A. Top Finish

T1 __	Veneer Tier 1	+0
T2 __	Veneer Tier 2	+1,216
GC __	Clear Glass, back painted	+6,352
GE __	Etched matte Glass, back painted	+7,455
CS01	Corian Glacier White	+7,662
QS __	Caesarstone	Contact Rep.

Step 4B. Lower Layer Finish (Layer top only)

SL __	Satin Lacquer	+537
T ___	Veneer Tier 1, 2, 3	+815
HG __	High Gloss Polyester	+897

Step 5. Base Finish

T1 __	Veneer Tier 1	+984
T2 __	Veneer Tier 2	+2,356
SL __	Satin Lacquer	+0
HG __	High Gloss Polyester	+4,544

Step 6. Power & Connectivity Access: Optional

DRHW	Drawer, Hardwired (layered edge only), Qty 4	+8,016
DRPI	Drawer, Plug In (layered edge only), Qty 4	+6,864
DRLK	Drawer, Linkable (layered edge only), Qty 4	+6,864
TMHW	Tabletop Metal lid, Hardwired, Qty 2	+11,172
TMPI	Tabletop Metal lid, Plug In, Qty 2	+9,866
TMLK	Tabletop Metal lid, Linkable, Qty 2	+9,866
TWHW	Tabletop Wood lid, Hardwired (veneer tops only), Qty 2	+9,924
TWPI	Tabletop Wood lid, Plug In (veneer tops only), Qty 2	+8,574
TWLK	Tabletop Wood lid, Linkable (veneer tops only), Qty 2	+8,574
UMHW	Undermount, Hardwired, Qty 4	+4,788
UMPI	Undermount, Plug In, Qty 4	+3,480
UMLK	Undermount, Linkable, Qty 4	+3,480
SOHW	Slide Out Power Box, Hardwired, Qty 4	+8,340
SOPI	Slide Out Power Box, Plug In, Qty 4	+7,076
SOLK	Slide Out Power Box, Linkable, Qty 4	+7,076

Step 7. Microphone and/or Grommet Accommodations: Optional

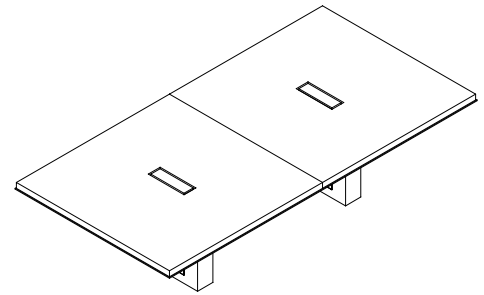
MA __	Microphone hole (factory cut)	Qty __ x 377 each
GM __	2" Grommet hole (factory cut), liner, lid, in matching metal finish	Qty __ x 496 each

Please consult [page 7](#) for the palette of DatesWeiser finishes. Natural stone, non-standard glass and veneer, and other technology options are available. Please email customerservice@datesweiser.com for a custom quote. Consult technical information on [page 298](#) for construction details and technical information.

Highline Fifty Rectangular Conference Table

60"x120"/ 12 Person

03R60X120



Starting Price: **\$22,576**

60x120 table, slab veneer Tier 1 top, open painted base with no metal trim, powder coat finish

Pattern Number: 03R60X120

Step 1. Top Material

S	Slab (veneer only)	
V	Veneer layered	
G	Glass layered	
C	Corian layered	
Q	Caesarstone layered	

Step 2. Base Options

ON	Open Base, no metal trim	+ 0
MC __	Open Base, MC metal trim	+3,501
PM01	Open Base, PM01 metal trim	+4,710
PM02	Open Base, PM02 metal trim	+4,710
PM03	Open Base, PM03 metal trim	+5,886

Step 3. Edge Selection/Finish

N __	No Edge	+0
AU __	Spinneybeck Leather: Acqua	+\$3,089
MC __	Powder Coat	+0
PM01	Polished Chrome	+1,338
PM02	Satin Nickel	+1,338
PM03	Oil Rubbed Bronze	+1,338

Step 4A. Top Finish

T1 __	Veneer Tier 1	+0
T2 __	Veneer Tier 2	+1,351
GC __	Clear Glass, back painted	+7,012
GE __	Etched matte Glass, back painted	+8,236
CS01	Corian Glacier White	+8,513
QS __	Caesarstone	Contact Rep.

Step 4B. Lower Layer Finish (Layer top only)

SL __	Satin Lacquer	+569
T ___	Veneer Tier 1, 2, 3	+848
HG __	High Gloss Polyester	+933

Step 5. Base Finish

T1 __	Veneer Tier 1	+984
T2 __	Veneer Tier 2	+2,356
SL __	Satin Lacquer	+0
HG __	High Gloss Polyester	+4,544

Step 6. Power & Connectivity Access: Optional

DRHW	Drawer, Hardwired (layered edge only), Qty 6	+12,024
DRPI	Drawer, Plug In (layered edge only), Qty 6	+10,296
DRLK	Drawer, Linkable (layered edge only), Qty 6	+10,296
TMHW	Tabletop Metal lid, Hardwired, Qty 2	+11,172
TMPI	Tabletop Metal lid, Plug In, Qty 2	+9,866
TMLK	Tabletop Metal lid, Linkable, Qty 2	+9,866
TWHW	Tabletop Wood lid, Hardwired (veneer tops only), Qty 2	+9,924
TWPI	Tabletop Wood lid, Plug In (veneer tops only), Qty 2	+8,574
TWLK	Tabletop Wood lid, Linkable (veneer tops only), Qty 2	+8,574
UMHW	Undermount, Hardwired, Qty 6	+7,182
UMPI	Undermount, Plug In, Qty 6	+5,220
UMLK	Undermount, Linkable, Qty 6	+5,220
SOHW	Slide Out Power Box, Hardwired, Qty 6	+12,510
SOPI	Slide Out Power Box, Plug In, Qty 6	+10,614
SOLK	Slide Out Power Box, Linkable, Qty 6	+10,614

Step 7. Microphone and/or Grommet Accommodations: Optional

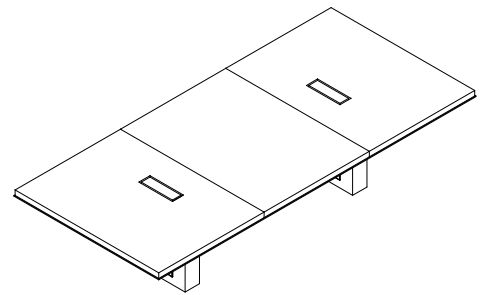
MA __	Microphone hole (factory cut)	Qty __ x 377 each
GM __	2" Grommet hole (factory cut), liner, lid, in matching metal finish	Qty __ x 496 each

Please consult [page 7](#) for the palette of DatesWeiser finishes. Natural stone, non-standard glass and veneer, and other technology options are available. Please email customerservice@datesweiser.com for a custom quote. Consult technical information on [page 298](#) for construction details and technical information.

Highline Fifty Rectangular Conference Table

60"x132"/ 12 Person

03R60X132



Starting Price: **\$28,057**

60x132 table, slab veneer Tier 1 top, open painted base with no metal trim, powder coat finish

Pattern Number: 03R60X132

Step 1. Top Material

S	Slab (veneer only)	
V	Veneer layered	
G	Glass layered	
C	Corian layered	
Q	Caesarstone layered	

Step 2. Base Options

ON	Open Base, no metal trim	+ 0
MC __	Open Base, MC metal trim	+3,501
PM01	Open Base, PM01 metal trim	+4,710
PM02	Open Base, PM02 metal trim	+4,710
PM03	Open Base, PM03 metal trim	+5,886

Step 3. Edge Selection/Finish

N __	No Edge	+0
AU __	Spinneybeck Leather: Acqua	+\$3,232
MC __	Powder Coat	+0
PM01	Polished Chrome	+1,505
PM02	Satin Nickel	+1,505
PM03	Oil Rubbed Bronze	+1,505

Step 4A. Top Finish

T1 __	Veneer Tier 1	+0
T2 __	Veneer Tier 2	+1,485
GC __	Clear Glass, back painted	+7,848
GE __	Etched matte Glass, back painted	+9,195
CS01	Corian Glacier White	+9,364
QS __	Caesarstone	Contact Rep.

Step 4B. Lower Layer Finish (Layer top only)

SL __	Satin Lacquer	+653
T ___	Veneer Tier 1, 2, 3	+944
HG __	High Gloss Polyester	+1,038

Step 5. Base Finish

T1 __	Veneer Tier 1	+984
T2 __	Veneer Tier 2	+2,356
SL __	Satin Lacquer	+0
HG __	High Gloss Polyester	+4,544

Step 6. Power & Connectivity Access: Optional

DRHW	Drawer, Hardwired (layered edge only), Qty 6	+12,024
DRPI	Drawer, Plug In (layered edge only), Qty 6	+10,296
DRLK	Drawer, Linkable (layered edge only), Qty 6	+10,296
TMHW	Tabletop Metal lid, Hardwired, Qty 2	+11,172
TMPI	Tabletop Metal lid, Plug In, Qty 2	+9,866
TMLK	Tabletop Metal lid, Linkable, Qty 2	+9,866
TWHW	Tabletop Wood lid, Hardwired (veneer tops only), Qty 2	+9,924
TWPI	Tabletop Wood lid, Plug In (veneer tops only), Qty 2	+8,574
TWLK	Tabletop Wood lid, Linkable (veneer tops only), Qty 2	+8,574
UMHW	Undermount, Hardwired, Qty 6	+7,182
UMPI	Undermount, Plug In, Qty 6	+5,220
UMLK	Undermount, Linkable, Qty 6	+5,220
SOHW	Slide Out Power Box, Hardwired, Qty 6	+12,510
SOPI	Slide Out Power Box, Plug In, Qty 6	+10,614
SOLK	Slide Out Power Box, Linkable, Qty 6	+10,614

Step 7. Microphone and/or Grommet Accommodations: Optional

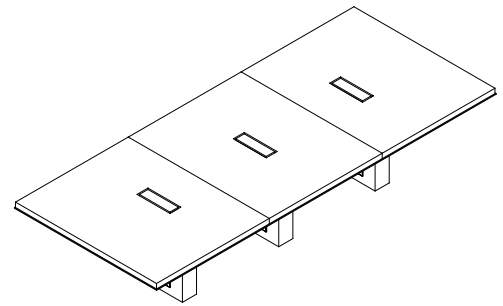
MA __	Microphone hole (factory cut)	Qty __ x 377 each
GM __	2" Grommet hole (factory cut), liner, lid, in matching metal finish	Qty __ x 496 each

Please consult [page 7](#) for the palette of DatesWeiser finishes. Natural stone, non-standard glass and veneer, and other technology options are available. Please email customerservice@datesweiser.com for a custom quote. Consult technical information on [page 298](#) for construction details and technical information.

Highline Fifty Rectangular Conference Table

60"x144"/ 12 Person

03R60X144



Starting Price: **\$29,483**

60x144 table, slab veneer Tier 1 top, open painted base with no metal trim, powder coat finish

Pattern Number: 03R60X144

Step 1. Top Material

S	Slab (veneer only)	
V	Veneer layered	
G	Glass layered	
C	Corian layered	
Q	Caesarstone layered	

Step 2. Base Options

ON	Open Base, no metal trim	+ 0
MC __	Open Base, MC metal trim	+5,250
PM01	Open Base, PM01 metal trim	+7,065
PM02	Open Base, PM02 metal trim	+7,065
PM03	Open Base, PM03 metal trim	+8,830

Step 3. Edge Selection/Finish

N __	No Edge	+0
AU __	Spinneybeck Leather: Acqua	+\$3,434
MC __	Powder Coat	+0
PM01	Polished Chrome	+1,505
PM02	Satin Nickel	+1,505
PM03	Oil Rubbed Bronze	+1,505

Step 4A. Top Finish

T1 __	Veneer Tier 1	+0
T2 __	Veneer Tier 2	+1,621
GC __	Clear Glass, back painted	+8,516
GE __	Etched matte Glass, back painted	+9,984
CS01	Corian Glacier White	+10,216
QS __	Caesarstone	Contact Rep.

Step 4B. Lower Layer Finish (Layer top only)

SL __	Satin Lacquer	+724
T ___	Veneer Tier 1, 2, 3	+1,003
HG __	High Gloss Polyester	+1,103

Step 5. Base Finish

T1 __	Veneer Tier 1	+1,476
T2 __	Veneer Tier 2	+3,534
SL __	Satin Lacquer	+0
HG __	High Gloss Polyester	+6,816

Step 6. Power & Connectivity Access: Optional

DRHW	Drawer, Hardwired (layered edge only), Qty 6	+12,024
DRPI	Drawer, Plug In (layered edge only), Qty 6	+10,296
DRLK	Drawer, Linkable (layered edge only), Qty 6	+10,296
TMHW	Tabletop Metal lid, Hardwired, Qty 3	+16,758
TMPI	Tabletop Metal lid, Plug In, Qty 3	+14,799
TMLK	Tabletop Metal lid, Linkable, Qty 3	+14,799
TWHW	Tabletop Wood lid, Hardwired (veneer tops only), Qty 3	+14,886
TWPI	Tabletop Wood lid, Plug In (veneer tops only), Qty 3	+12,861
TWLK	Tabletop Wood lid, Linkable (veneer tops only), Qty 3	+12,861
UMHW	Undermount, Hardwired, Qty 6	+7,182
UMPI	Undermount, Plug In, Qty 6	+5,220
UMLK	Undermount, Linkable, Qty 6	+5,220
SOHW	Slide Out Power Box, Hardwired, Qty 6	+12,510
SOPI	Slide Out Power Box, Plug In, Qty 6	+10,614
SOLK	Slide Out Power Box, Linkable, Qty 6	+10,614

Step 7. Microphone and/or Grommet Accommodations: Optional

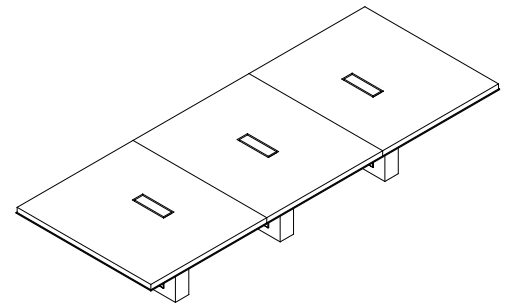
MA __	Microphone hole (factory cut)	Qty __ x 377 each
GM __	2" Grommet hole (factory cut), liner, lid, in matching metal finish	Qty __ x 496 each

Please consult [page 7](#) for the palette of DatesWeiser finishes. Natural stone, non-standard glass and veneer, and other technology options are available. Please email customerservice@datesweiser.com for a custom quote. Consult technical information on [page 298](#) for construction details and technical information.

Highline Fifty Rectangular Conference Table

60"x156"/ 12 Person

03R60X156



Starting Price: **\$30,637**

60x156 table, slab veneer Tier 1 top, open painted base with no metal trim, powder coat finish

Pattern Number: 03R60X156

Step 1. Top Material

S	Slab (veneer only)	
V	Veneer layered	
G	Glass layered	
C	Corian layered	
Q	Caesarstone layered	

Step 2. Base Options

ON	Open Base, no metal trim	+ 0
MC __	Open Base, MC metal trim	+5,250
PM01	Open Base, PM01 metal trim	+7,065
PM02	Open Base, PM02 metal trim	+7,065
PM03	Open Base, PM03 metal trim	+8,830

Step 3. Edge Selection/Finish

N __	No Edge	+0
AU __	Spinneybeck Leather: Acqua	+\$3,636
MC __	Powder Coat	+0
PM01	Polished Chrome	+1,505
PM02	Satin Nickel	+1,505
PM03	Oil Rubbed Bronze	+1,505

Step 4A. Top Finish

T1 __	Veneer Tier 1	+0
T2 __	Veneer Tier 2	+1,754
GC __	Clear Glass, back painted	+9,169
GE __	Etched matte Glass, back painted	+10,759
CS01	Corian Glacier White	+11,066
QS __	Caesarstone	Contact Rep.

Step 4B. Lower Layer Finish (Layer top only)

SL __	Satin Lacquer	+757
T __ __	Veneer Tier 1, 2, 3	+1,075
HG __	High Gloss Polyester	+1,181

Step 5. Base Finish

T1 __	Veneer Tier 1	+1,476
T2 __	Veneer Tier 2	+3,534
SL __	Satin Lacquer	+0
HG __	High Gloss Polyester	+6,816

Step 6. Power & Connectivity Access: Optional

DRHW	Drawer, Hardwired (layered edge only), Qty 6	+12,024
DRPI	Drawer, Plug In (layered edge only), Qty 6	+10,296
DRLK	Drawer, Linkable (layered edge only), Qty 6	+10,296
TMHW	Tabletop Metal lid, Hardwired, Qty 3	+16,758
TMPI	Tabletop Metal lid, Plug In, Qty 3	+14,799
TMLK	Tabletop Metal lid, Linkable, Qty 3	+14,799
TWHW	Tabletop Wood lid, Hardwired (veneer tops only), Qty 3	+14,886
TWPI	Tabletop Wood lid, Plug In (veneer tops only), Qty 3	+12,861
TWLK	Tabletop Wood lid, Linkable (veneer tops only), Qty 3	+12,861
UMHW	Undermount, Hardwired, Qty 6	+7,182
UMPI	Undermount, Plug In, Qty 6	+5,220
UMLK	Undermount, Linkable, Qty 6	+5,220
SOHW	Slide Out Power Box, Hardwired, Qty 6	+12,510
SOPI	Slide Out Power Box, Plug In, Qty 6	+10,614
SOLK	Slide Out Power Box, Linkable, Qty 6	+10,614

Step 7. Microphone and/or Grommet Accommodations: Optional

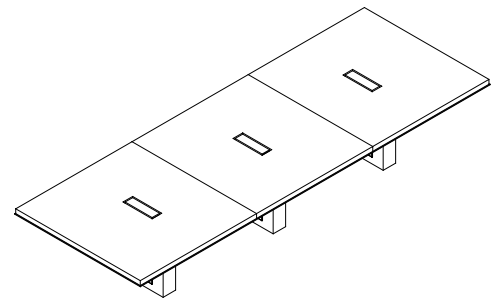
MA __	Microphone hole (factory cut)	Qty __ x 377 each
GM __	2" Grommet hole (factory cut), liner, lid, in matching metal finish	Qty __ x 496 each

Please consult [page 7](#) for the palette of DatesWeiser finishes. Natural stone, non-standard glass and veneer, and other technology options are available. Please email customerservice@datesweiser.com for a custom quote. Consult technical information on [page 298](#) for construction details and technical information.

Highline Fifty Rectangular Conference Table

60"x168"/ 14 Person

03R60X168



Starting Price: **\$32,174**

60x168 table, slab veneer Tier 1 top, open painted base with no metal trim, powder coat finish

Pattern Number: 03R60X168

Step 1. Top Material

S	Slab (veneer only)	
V	Veneer layered	
G	Glass layered	
C	Corian layered	
Q	Caesarstone layered	

Step 2. Base Options

ON	Open Base, no metal trim	+ 0
MC __	Open Base, MC metal trim	+5,250
PM01	Open Base, PM01 metal trim	+7,065
PM02	Open Base, PM02 metal trim	+7,065
PM03	Open Base, PM03 metal trim	+8,830

Step 3. Edge Selection/Finish

N __	No Edge	+0
AU __	Spinneybeck Leather: Acqua	+\$3,837
MC __	Powder Coat	+0
PM01	Polished Chrome	+2,255
PM02	Satin Nickel	+2,255
PM03	Oil Rubbed Bronze	+2,255

Step 4A. Top Finish

T1 __	Veneer Tier 1	+0
T2 __	Veneer Tier 2	+1,890
GC __	Clear Glass, back painted	+9,840
GE __	Etched matte Glass, back painted	+11,553
CS01	Corian Glacier White	+11,917
QS __	Caesarstone	Contact Rep.

Step 4B. Lower Layer Finish (Layer top only)

SL __	Satin Lacquer	+815
T __ __	Veneer Tier 1, 2, 3	+1,132
HG __	High Gloss Polyester	+1,246

Step 5. Base Finish

T1 __	Veneer Tier 1	+1,476
T2 __	Veneer Tier 2	+3,534
SL __	Satin Lacquer	+0
HG __	High Gloss Polyester	+6,816

Step 6. Power & Connectivity Access: Optional

DRHW	Drawer, Hardwired (layered edge only), Qty 6	+12,024
DRPI	Drawer, Plug In (layered edge only), Qty 6	+10,296
DRLK	Drawer, Linkable (layered edge only), Qty 6	+10,296
TMHW	Tabletop Metal lid, Hardwired, Qty 3	+16,758
TMPI	Tabletop Metal lid, Plug In, Qty 3	+14,799
TMLK	Tabletop Metal lid, Linkable, Qty 3	+14,799
TWHW	Tabletop Wood lid, Hardwired (veneer tops only), Qty 3	+14,886
TWPI	Tabletop Wood lid, Plug In (veneer tops only), Qty 3	+12,861
TWLK	Tabletop Wood lid, Linkable (veneer tops only), Qty 3	+12,861
UMHW	Undermount, Hardwired, Qty 6	+7,182
UMPI	Undermount, Plug In, Qty 6	+5,220
UMLK	Undermount, Linkable, Qty 6	+5,220
SOHW	Slide Out Power Box, Hardwired, Qty 6	+12,510
SOPI	Slide Out Power Box, Plug In, Qty 6	+10,614
SOLK	Slide Out Power Box, Linkable, Qty 6	+10,614

Step 7. Microphone and/or Grommet Accommodations: Optional

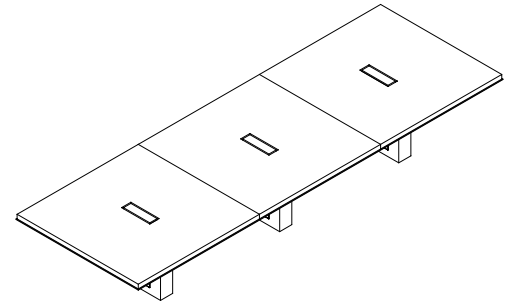
MA __	Microphone hole (factory cut)	Qty __ x 377 each
GM __	2" Grommet hole (factory cut), liner, lid, in matching metal finish	Qty __ x 496 each

Please consult [page 7](#) for the palette of DatesWeiser finishes. Natural stone, non-standard glass and veneer, and other technology options are available. Please email customerservice@datesweiser.com for a custom quote. Consult technical information on [page 298](#) for construction details and technical information.

Highline Fifty Rectangular Conference Table

60"x180"/ 16 Person

03R60X180



Starting Price: **\$33,344**

60x180 table, slab veneer Tier 1 top, open painted base with no metal trim, powder coat finish

Pattern Number: 03R60X180

Step 1. Top Material

S	Slab (veneer only)	
V	Veneer layered	
G	Glass layered	
C	Corian layered	
Q	Caesarstone layered	

Step 2. Base Options

ON	Open Base, no metal trim	+ 0
MC __	Open Base, MC metal trim	+5,250
PM01	Open Base, PM01 metal trim	+7,065
PM02	Open Base, PM02 metal trim	+7,065
PM03	Open Base, PM03 metal trim	+8,830

Step 3. Edge Selection/Finish

N __	No Edge	+0
AU __	Spinneybeck Leather: Acqua	+\$4,040
MC __	Powder Coat	+0
PM01	Polished Chrome	+2,255
PM02	Satin Nickel	+2,255
PM03	Oil Rubbed Bronze	+2,255

Step 4A. Top Finish

T1 __	Veneer Tier 1	+0
T2 __	Veneer Tier 2	+2,025
GC __	Clear Glass, back painted	+10,495
GE __	Etched matte Glass, back painted	+12,330
CS01	Corian Glacier White	+12,769
QS __	Caesarstone*	Contact Rep.

Step 4B. Lower Layer Finish (Layer top only)

SL __	Satin Lacquer	+835
T ___	Veneer Tier 1, 2, 3	+1,170
HG __	High Gloss Polyester	+1,290

Step 5. Base Finish

T1 __	Veneer Tier 1	+1,476
T2 __	Veneer Tier 2	+3,534
SL __	Satin Lacquer	+0
HG __	High Gloss Polyester	+6,816

Step 6. Power & Connectivity Access: Optional

DRHW	Drawer, Hardwired (layered edge only), Qty 8	+16,032
DRPI	Drawer, Plug In (layered edge only), Qty 8	+13,728
DRLK	Drawer, Linkable (layered edge only), Qty 8	+13,728
TMHW	Tabletop Metal lid, Hardwired, Qty 3	+16,758
TMPI	Tabletop Metal lid, Plug In, Qty 3	+14,799
TMLK	Tabletop Metal lid, Linkable, Qty 3	+14,799
TWHW	Tabletop Wood lid, Hardwired (veneer tops only), Qty 3	+14,886
TWPI	Tabletop Wood lid, Plug In (veneer tops only), Qty 3	+12,861
TWLK	Tabletop Wood lid, Linkable (veneer tops only), Qty 3	+12,861
UMHW	Undermount, Hardwired, Qty 8	+9,576
UMPI	Undermount, Plug In, Qty 8	+6,960
UMLK	Undermount, Linkable, Qty 8	+6,960
SOHW	Slide Out Power Box, Hardwired, Qty 8	+16,680
SOPI	Slide Out Power Box, Plug In, Qty 8	+14,152
SOLK	Slide Out Power Box, Linkable, Qty 8	+14,152

Step 7. Microphone and/or Grommet Accommodations: Optional

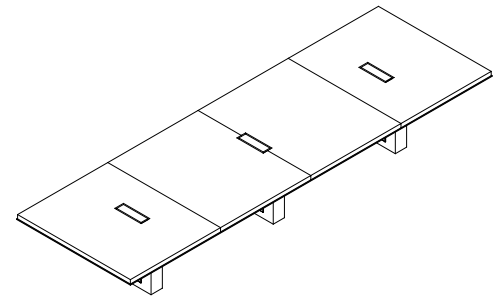
MA __	Microphone hole (factory cut)	Qty __ x 377 each
GM __	2" Grommet hole (factory cut), liner, lid, in matching metal finish	Qty __ x 496 each

Please consult [page 7](#) for the palette of DatesWeiser finishes. Natural stone, non-standard glass and veneer, and other technology options are available. Please email customerservice@datesweiser.com for a custom quote. Consult technical information on [page 298](#) for construction details and technical information.

Highline Fifty Rectangular Conference Table

60"x192"/ 16 Person

03R60X192



Starting Price: **\$38,282**

60x192 table, slab veneer Tier 1 top, open painted base with no metal trim, powder coat finish

Pattern Number: 03R60X192

Step 1. Top Material

S	Slab (veneer only)	
V	Veneer layered	
G	Glass layered	
C	Corian layered	
Q	Caesarstone layered	

Step 2. Base Options

ON	Open Base, no metal trim	+ 0
MC __	Open Base, MC metal trim	+5,250
PM01	Open Base, PM01 metal trim	+7,065
PM02	Open Base, PM02 metal trim	+7,065
PM03	Open Base, PM03 metal trim	+8,830

Step 3. Edge Selection/Finish

N __	No Edge	+0
AU __	Spinneybeck Leather: Acqua	+\$4,242
MC __	Powder Coat	+0
PM01	Polished Chrome	+2,255
PM02	Satin Nickel	+2,255
PM03	Oil Rubbed Bronze	+2,255

Step 4A. Top Finish

T1 __	Veneer Tier 1	+0
T2 __	Veneer Tier 2	+2,160
GC __	Clear Glass, back painted	+11,311
GE __	Etched matte Glass, back painted	+13,269
CS01	Corian Glacier White	+13,621
QS __	Caesarstone	Contact Rep.

Step 4B. Lower Layer Finish (Layer top only)

SL __	Satin Lacquer	+899
T __	Veneer Tier 1, 2, 3	+1,275
HG __	High Gloss Polyester	+1,404

Step 5. Base Finish

T1 __	Veneer Tier 1	+1,476
T2 __	Veneer Tier 2	+3,534
SL __	Satin Lacquer	+0
HG __	High Gloss Polyester	+6,816

Step 6. Power & Connectivity Access: Optional

DRHW	Drawer, Hardwired (layered edge only), Qty 8	+16,032
DRPI	Drawer, Plug In (layered edge only), Qty 8	+13,728
DRLK	Drawer, Linkable (layered edge only), Qty 8	+13,728
TMHW	Tabletop Metal lid, Hardwired, Qty 3	+16,758
TMPI	Tabletop Metal lid, Plug In, Qty 3	+14,799
TMLK	Tabletop Metal lid, Linkable, Qty 3	+14,799
TWHW	Tabletop Wood lid, Hardwired (veneer tops only), Qty 3	+14,886
TWPI	Tabletop Wood lid, Plug In (veneer tops only), Qty 3	+12,861
TWLK	Tabletop Wood lid, Linkable (veneer tops only), Qty 3	+12,861
UMHW	Undermount, Hardwired, Qty 8	+9,576
UMPI	Undermount, Plug In, Qty 8	+6,960
UMLK	Undermount, Linkable, Qty 8	+6,960
SOHW	Slide Out Power Box, Hardwired, Qty 8	+16,680
SOPI	Slide Out Power Box, Plug In, Qty 8	+14,152
SOLK	Slide Out Power Box, Linkable, Qty 8	+14,152

Step 7. Microphone and/or Grommet Accommodations: Optional

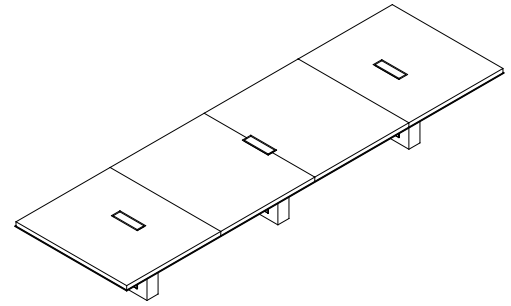
MA __	Microphone hole (factory cut)	Qty __ x 377 each
GM __	2" Grommet hole (factory cut), liner, lid, in matching metal finish	Qty __ x 496 each

Please consult [page 7](#) for the palette of DatesWeiser finishes. Natural stone, non-standard glass and veneer, and other technology options are available. Please email customerservice@datesweiser.com for a custom quote. Consult technical information on [page 298](#) for construction details and technical information.

Highline Fifty Rectangular Conference Table

60"x204"/ 16 Person

03R60X204



Starting Price: **\$39,411**

60x204 table, slab veneer Tier 1 top, open painted base with no metal trim, powder coat finish

Pattern Number: 03R60X204

Step 1. Top Material

S	Slab (veneer only)	
V	Veneer layered	
G	Glass layered	
C	Corian layered	
Q	Caesarstone layered	

Step 2. Base Options

ON	Open Base, no metal trim	+ 0
MC __	Open Base, MC metal trim	+5,250
PM01	Open Base, PM01 metal trim	+7,065
PM02	Open Base, PM02 metal trim	+7,065
PM03	Open Base, PM03 metal trim	+8,830

Step 3. Edge Selection/Finish

N __	No Edge	+0
AU __	Spinneybeck Leather: Acqua	+\$4,443
MC __	Powder Coat	+0
PM01	Polished Chrome	+2,255
PM02	Satin Nickel	+2,255
PM03	Oil Rubbed Bronze	+2,255

Step 4A. Top Finish

T1 __	Veneer Tier 1	+0
T2 __	Veneer Tier 2	+2,297
GC __	Clear Glass, back painted	+11,964
GE __	Etched matte Glass, back painted	+14,044
CS01	Corian Glacier White	+14,473
QS __	Caesarstone	Contact Rep.

Step 4B. Lower Layer Finish (Layer top only)

SL __	Satin Lacquer	+952
T __ __	Veneer Tier 1, 2, 3	+1,345
HG __	High Gloss Polyester	+1,480

Step 5. Base Finish

T1 __	Veneer Tier 1	+1,476
T2 __	Veneer Tier 2	+3,534
SL __	Satin Lacquer	+0
HG __	High Gloss Polyester	+6,816

Step 6. Power & Connectivity Access: Optional

DRHW	Drawer, Hardwired (layered edge only), Qty 8	+16,032
DRPI	Drawer, Plug In (layered edge only), Qty 8	+13,728
DRLK	Drawer, Linkable (layered edge only), Qty 8	+13,728
TMHW	Tabletop Metal lid, Hardwired, Qty 3	+16,758
TMPI	Tabletop Metal lid, Plug In, Qty 3	+14,799
TMLK	Tabletop Metal lid, Linkable, Qty 3	+14,799
TWHW	Tabletop Wood lid, Hardwired (veneer tops only), Qty 3	+14,886
TWPI	Tabletop Wood lid, Plug In (veneer tops only), Qty 3	+12,861
TWLK	Tabletop Wood lid, Linkable (veneer tops only), Qty 3	+12,861
UMHW	Undermount, Hardwired, Qty 8	+9,576
UMPI	Undermount, Plug In, Qty 8	+6,960
UMLK	Undermount, Linkable, Qty 8	+6,960
SOHW	Slide Out Power Box, Hardwired, Qty 8	+16,680
SOPI	Slide Out Power Box, Plug In, Qty 8	+14,152
SOLK	Slide Out Power Box, Linkable, Qty 8	+14,152

Step 7. Microphone and/or Grommet Accommodations: Optional

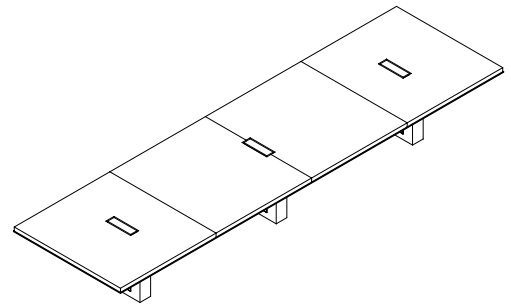
MA __	Microphone hole (factory cut)	Qty __ x 377 each
GM __	2" Grommet hole (factory cut), liner, lid, in matching metal finish	Qty __ x 496 each

Please consult [page 7](#) for the palette of DatesWeiser finishes. Natural stone, non-standard glass and veneer, and other technology options are available. Please email customerservice@datesweiser.com for a custom quote. Consult technical information on [page 298](#) for construction details and technical information.

Highline Fifty Rectangular Conference Table

60"x216"/ 18 Person

03R60X216



Starting Price: **\$40,588**

60x216 table, slab veneer Tier 1 top, open painted base with no metal trim, powder coat finish

Pattern Number: 03R60X216

Step 1. Top Material

S	Slab (veneer only)
V	Veneer layered
G	Glass layered
C	Corian layered
Q	Caesarstone layered

Step 2. Base Options

ON	Open Base, no metal trim	+ 0
MC __	Open Base, MC metal trim	+5,250
PM01	Open Base, PM01 metal trim	+7,065
PM02	Open Base, PM02 metal trim	+7,065
PM03	Open Base, PM03 metal trim	+8,830

Step 3. Edge Selection/Finish

N __	No Edge	+0
AU __	Spinneybeck Leather: Acqua	+\$4,646
MC __	Powder Coat	+0
PM01	Polished Chrome	+2,255
PM02	Satin Nickel	+2,255
PM03	Oil Rubbed Bronze	+2,255

Step 4A. Top Finish

T1 __	Veneer Tier 1	+0
T2 __	Veneer Tier 2	+2,432
GC __	Clear Glass, back painted	+12,620
GE __	Etched matte Glass, back painted	+14,822
CS01	Corian Glacier White	+15,323
QS __	Caesarstone	Contact Rep.

Step 4B. Lower Layer Finish (Layer top only)

SL __	Satin Lacquer	+997
T __	Veneer Tier 1, 2, 3	+1,367
HG __	High Gloss Polyester	+1,518

Step 5. Base Finish

T1 __	Veneer Tier 1	+1,476
T2 __	Veneer Tier 2	+3,534
SL __	Satin Lacquer	+0
HG __	High Gloss Polyester	+6,816

Step 6. Power & Connectivity Access: Optional

DRHW	Drawer, Hardwired (layered edge only), Qty 8	+16,032
DRPI	Drawer, Plug In (layered edge only), Qty 8	+13,728
DRLK	Drawer, Linkable (layered edge only), Qty 8	+13,728
TMHW	Tabletop Metal lid, Hardwired, Qty 3	+16,758
TMPI	Tabletop Metal lid, Plug In, Qty 3	+14,799
TMLK	Tabletop Metal lid, Linkable, Qty 3	+14,799
TWHW	Tabletop Wood lid, Hardwired (vener top only), Qty 3	+14,886
TWPI	Tabletop Wood lid, Plug In (vener top only), Qty 3	+12,861
TWLK	Tabletop Wood lid, Linkable (vener top only), Qty 3	+12,861
UMHW	Undermount, Hardwired, Qty 8	+9,576
UMPI	Undermount, Plug In, Qty 8	+6,960
UMLK	Undermount, Linkable, Qty 8	+6,960
SOHW	Slide Out Power Box, Hardwired, Qty 8	+16,680
SOPI	Slide Out Power Box, Plug In, Qty 8	+14,152
SOLK	Slide Out Power Box, Linkable, Qty 8	+14,152

Step 7. Microphone and/or Grommet Accommodations: Optional

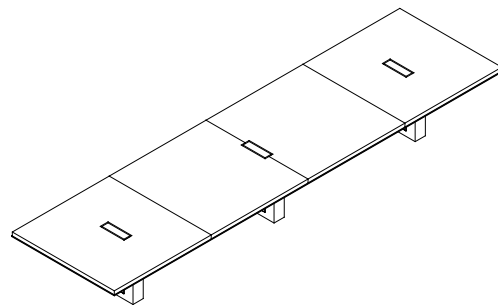
MA __	Microphone hole (factory cut)	Qty __ x 377 each
GM __	2" Grommet hole (factory cut), liner, lid, in matching metal finish	Qty __ x 496 each

Please consult [page 7](#) for the palette of DatesWeiser finishes. Natural stone, non-standard glass and veneer, and other technology options are available. Please email customerservice@datesweiser.com for a custom quote. Consult technical information on [page 298](#) for construction details and technical information.

Highline Fifty Rectangular Conference Table

60"x228" / 18 Person

03R60X228



Starting Price: **\$41,718**

60x228 table, slab veneer Tier 1 top, open painted base with no metal trim, powder coat finish

Pattern Number: 03R60X228

Step 1. Top Material

S	Slab (veneer only)
V	Veneer layered
G	Glass layered
C	Corian layered
Q	Caesarstone layered

Step 2. Base Options

ON	Open Base, no metal trim	+ 0
MC __	Open Base, MC metal trim	+5,250
PM01	Open Base, PM01 metal trim	+7,065
PM02	Open Base, PM02 metal trim	+7,065
PM03	Open Base, PM03 metal trim	+8,830

Step 3. Edge Selection/Finish

N __	No Edge	+0
AU __	Spinneybeck Leather: Acqua	+\$4,847
MC __	Powder Coat	+0
PM01	Polished Chrome	+2,255
PM02	Satin Nickel	+2,255
PM03	Oil Rubbed Bronze	+2,255

Step 4A. Top Finish

T1 __	Veneer Tier 1	+0
T2 __	Veneer Tier 2	+2,566
GC __	Clear Glass, back painted	+13,273
GE __	Etched matte Glass, back painted	+15,598
CS01	Corian Glacier White	+16,174
QS __	Caesarstone*	Contact Rep.

Step 4B. Lower Layer Finish (Layer top only)

SL __	Satin Lacquer	+1,049
T ___	Veneer Tier 1, 2, 3	+1,489
HG __	High Gloss Polyester	+1,638

Step 5. Base Finish

T1 __	Veneer Tier 1	+1,476
T2 __	Veneer Tier 2	+3,534
SL __	Satin Lacquer	+0
HG __	High Gloss Polyester	+6,816

Step 6. Power & Connectivity Access: Optional

DRHW	Drawer, Hardwired (layered edge only), Qty 8	+16,032
DRPI	Drawer, Plug In (layered edge only), Qty 8	+13,728
DRLK	Drawer, Linkable (layered edge only), Qty 8	+13,728
TMHW	Tabletop Metal lid, Hardwired, Qty 3	+16,758
TMPI	Tabletop Metal lid, Plug In, Qty 3	+14,799
TMLK	Tabletop Metal lid, Linkable, Qty 3	+14,799
TWHW	Tabletop Wood lid, Hardwired (veneer tops only), Qty 3	+14,886
TWPI	Tabletop Wood lid, Plug In (veneer tops only), Qty 3	+12,861
TWLK	Tabletop Wood lid, Linkable (veneer tops only), Qty 3	+12,861
UMHW	Undermount, Hardwired, Qty 8	+9,576
UMPI	Undermount, Plug In, Qty 8	+6,960
UMLK	Undermount, Linkable, Qty 8	+6,960
SOHW	Slide Out Power Box, Hardwired, Qty 8	+16,680
SOPI	Slide Out Power Box, Plug In, Qty 8	+14,152
SOLK	Slide Out Power Box, Linkable, Qty 8	+14,152

Step 7. Microphone and/or Grommet Accommodations: Optional

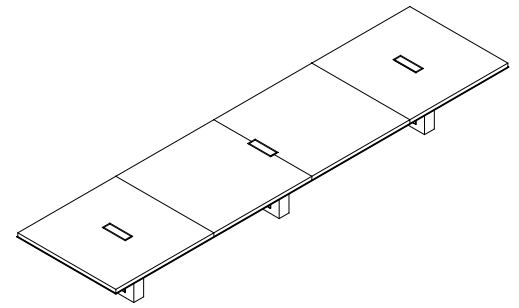
MA __	Microphone hole (factory cut)	Qty __ x 377 each
GM __	2" Grommet hole (factory cut), liner, lid, in matching metal finish	Qty __ x 496 each

Please consult [page 7](#) for the palette of DatesWeiser finishes. Natural stone, non-standard glass and veneer, and other technology options are available. Please email customerservice@datesweiser.com for a custom quote. Consult technical information on [page 298](#) for construction details and technical information.

Highline Fifty Rectangular Conference Table

60"x240"/ 20 Person

03R60X240



Starting Price: **\$42,853**

60x240 table, slab veneer Tier 1 top, open painted base with no metal trim, powder coat finish

Pattern Number: 03R60X240

Step 1. Top Material

S	Slab (veneer only)	
V	Veneer layered	
G	Glass layered	
C	Corian layered	
Q	Caesarstone layered	

Step 2. Base Options

ON	Open Base, no metal trim	+ 0
MC __	Open Base, MC metal trim	+5,250
PM01	Open Base, PM01 metal trim	+7,065
PM02	Open Base, PM02 metal trim	+7,065
PM03	Open Base, PM03 metal trim	+8,830

Step 3. Edge Selection/Finish

N __	No Edge	+0
AU __	Spinneybeck Leather: Acqua	+\$5,049
MC __	Powder Coat	+0
PM01	Polished Chrome	+2,225
PM02	Satin Nickel	+2,225
PM03	Oil Rubbed Bronze	+2,225

Step 4A. Top Finish

T1 __	Veneer Tier 1	+0
T2 __	Veneer Tier 2	+2,701
GC __	Clear Glass, back painted	+13,927
GE __	Etched matte Glass, back painted	+16,374
CS01	Corian Glacier White	+17,026
QS __	Caesarstone*	Contact Rep.

Step 4B. Lower Layer Finish (Layer top only)

SL __	Satin Lacquer	+1,100
T __ __	Veneer Tier 1, 2, 3	+1,559
HG __	High Gloss Polyester	+1,717

Step 5. Base Finish

T1 __	Veneer Tier 1	+1,476
T2 __	Veneer Tier 2	+3,534
SL __	Satin Lacquer	+0
HG __	High Gloss Polyester	+6,816

Step 6. Power & Connectivity Access: Optional

DRHW	Drawer, Hardwired (layered edge only), Qty 10	+20,040
DRPI	Drawer, Plug In (layered edge only), Qty 10	+17,160
DRLK	Drawer, Linkable (layered edge only), Qty 10	+17,160
TMHW	Tabletop Metal lid, Hardwired, Qty 3	+16,758
TMPI	Tabletop Metal lid, Plug In, Qty 3	+14,799
TMLK	Tabletop Metal lid, Linkable, Qty 3	+14,799
TWHW	Tabletop Wood lid, Hardwired (veneer tops only), Qty 3	+14,886
TWPI	Tabletop Wood lid, Plug In (veneer tops only), Qty 3	+12,861
TWLK	Tabletop Wood lid, Linkable (veneer tops only), Qty 3	+12,861
UMHW	Undermount, Hardwired, Qty 10	+11,970
UMPI	Undermount, Plug In, Qty 10	+8,700
UMLK	Undermount, Linkable, Qty 10	+8,700
SOHW	Slide Out Power Box, Hardwired, Qty 10	+20,850
SOPI	Slide Out Power Box, Plug In, Qty 10	+17,690
SOLK	Slide Out Power Box, Linkable, Qty 10	+17,690

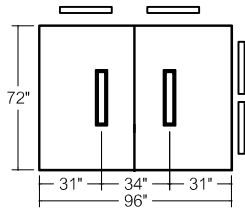
Step 7. Microphone and/or Grommet Accommodations: Optional

MA __	Microphone hole (factory cut)	Qty __ x 377 each
GM __	2" Grommet hole (factory cut), liner, lid, in matching metal finish	Qty __ x 496 each

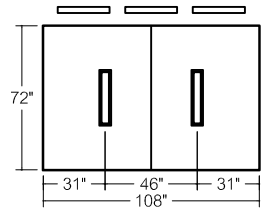
Please consult [page 7](#) for the palette of DatesWeiser finishes. Natural stone, non-standard glass and veneer, and other technology options are available. Please email customerservice@datesweiser.com for a custom quote. Consult technical information on [page 298](#) for construction details and technical information.

Highline Fifty Conference Tables Index

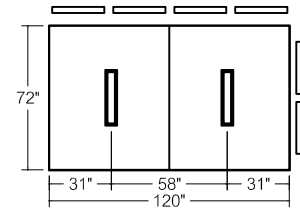
72" width



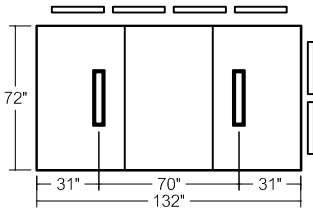
03R72X96
8 Person Table



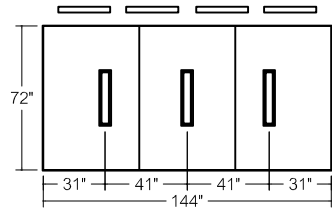
03R72X108
10 Person Table



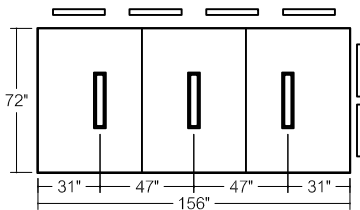
03R72X120
12 Person Table



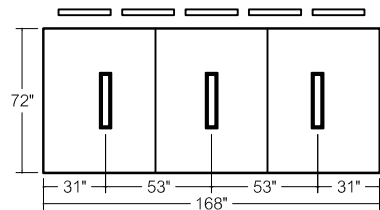
03R72X132
12 Person Table



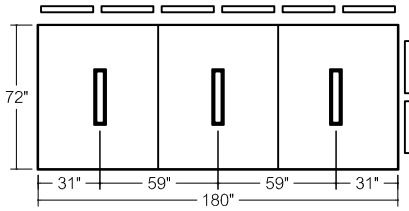
03R72X144
12 Person Table



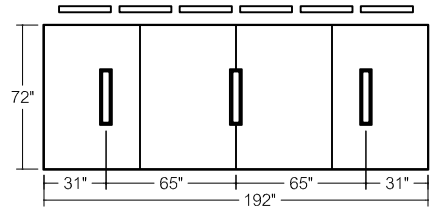
03R72X156
12 Person Table



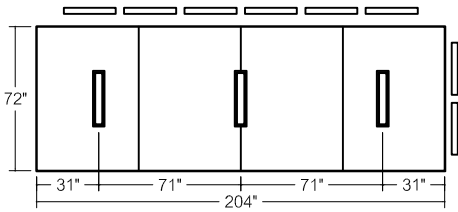
03R72X168
14 Person Table



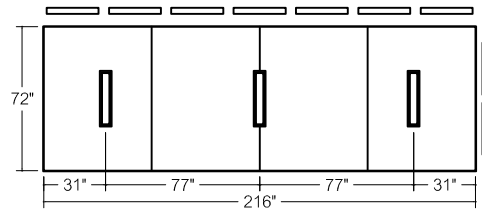
03R72X180
16 Person Table



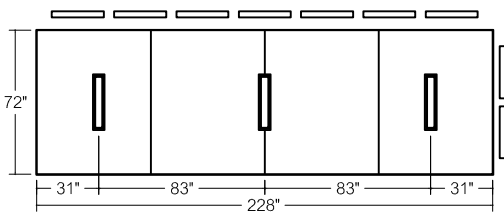
03R72X192
16 Person Table



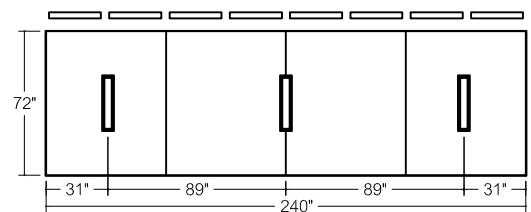
03R72X204
16 Person Table



03R72X216
18 Person Table



03R72X228
18 Person Table

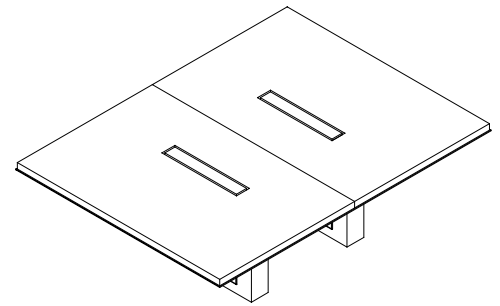


03R72X240
20 Person Table

Highline Fifty Rectangular Conference Table

72"x96"/ 8 Person

03R72X96



Starting Price: **\$22,066**

72x96 table, slab veneer Tier 1 top, open painted base with no metal trim, powder coat finish

Base Pattern Number: 03R72X96

Step 1. Top Material

S	Slab (veneer only)
V	Veneer layered
G	Glass layered
C	Corian layered
Q	Caesarstone layered

Step 2. Base Options

ON	Open Base, no metal trim	+ 0
MC __	Open Base, MC metal trim	+3,501
PM01	Open Base, PM01 metal trim	+4,710
PM02	Open Base, PM02 metal trim	+4,710
PM03	Open Base, PM03 metal trim	+5,886

Step 3. Edge Selection/Finish

N __	No Edge	+0
AU __	Spinneybeck Leather: Acqua	+\$2,827
MC __	Powder Coat	+0
PM01	Polished Chrome	+1,439
PM02	Satin Nickel	+1,439
PM03	Oil Rubbed Bronze	+1,439

Step 4A. Top Finish

T1 __	Veneer Tier 1	+0
T2 __	Veneer Tier 2	+1,296
GC __	Clear Glass, back painted	+6,746
GE __	Etched matte Glass, back painted	+7,921
CS01	Corian Glacier White	+8,171
QS __	Caesarstone	Contact Rep.

Step 4B. Lower Layer Finish (Layer top only)

SL __	Satin Lacquer	+535
T __	Veneer Tier 1, 2, 3	+759
HG __	High Gloss Polyester	+837

Step 5. Base Finish

T1 __	Veneer Tier 1	+984
T2 __	Veneer Tier 2	+2,356
SL __	Satin Lacquer	+0
HG __	High Gloss Polyester	+4,544

Step 6. Power & Connectivity Access: Optional

DRHW	Drawer, Hardwired (layered edge only), Qty 4	+8,016
DRPI	Drawer, Plug In (layered edge only), Qty 4	+6,864
DRLK	Drawer, Linkable (layered edge only), Qty 4	+6,864
TMHW	Tabletop Metal lid, Hardwired, Qty 2	+11,172
TMPI	Tabletop Metal lid, Plug In, Qty 2	+9,866
TMLK	Tabletop Metal lid, Linkable, Qty 2	+9,866
TWHW	Tabletop Wood lid, Hardwired (veneer tops only), Qty 2	+9,924
TWPI	Tabletop Wood lid, Plug In (veneer tops only), Qty 2	+8,574
TWLK	Tabletop Wood lid, Linkable (veneer tops only), Qty 2	+8,574
UMHW	Undermount, Hardwired, Qty 4	+4,788
UMPI	Undermount, Plug In, Qty 4	+3,480
UMLK	Undermount, Linkable, Qty 4	+3,480
SOHW	Slide Out Power Box, Hardwired, Qty 4	+8,340
SOPI	Slide Out Power Box, Plug In, Qty 4	+7,076
SOLK	Slide Out Power Box, Linkable, Qty 4	+7,076

Step 7. Microphone and/or Grommet Accommodations: Optional

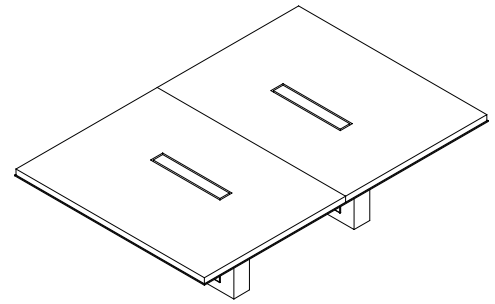
MA __	Microphone hole (factory cut)	Qty __ x 377 each
GM __	2" Grommet hole (factory cut), liner, lid, in matching metal finish	Qty __ x 496 each

Please consult [page 7](#) for the palette of DatesWeiser finishes. Natural stone, non-standard glass and veneer, and other technology options are available. Please email customerservice@datesweiser.com for a custom quote. Consult technical information on [page 298](#) for construction details and technical information.

Highline Fifty Rectangular Conference Table

72"x108"/ 10 Person

03R72X108



Starting Price: **\$23,420**

72x108 table, slab veneer Tier 1 top, open painted base with no metal trim, powder coat finish

Base Pattern Number: 03R72X108

Step 1. Top Material

S	Slab (veneer only)
V	Veneer layered
G	Glass layered
C	Corian layered
Q	Caesarstone layered

Step 2. Base Options

ON	Open Base, no metal trim	+ 0
MC __	Open Base, MC metal trim	+3,501
PM01	Open Base, PM01 metal trim	+4,710
PM02	Open Base, PM02 metal trim	+4,710
PM03	Open Base, PM03 metal trim	+5,886

Step 3. Edge Selection/Finish

N __	No Edge	+0
AU __	Spinneybeck Leather: Acqua	+\$3,029
MC __	Powder Coat	+0
PM01	Polished Chrome	+1,439
PM02	Satin Nickel	+1,439
PM03	Oil Rubbed Bronze	+1,439

Step 4A. Top Finish

T1 __	Veneer Tier 1	+0
T2 __	Veneer Tier 2	+1,458
GC __	Clear Glass, back painted	+7,533
GE __	Etched matte Glass, back painted	+8,855
CS01	Corian Glacier White	+9,195
QS __	Caesarstone	Contact Rep.

Step 4B. Lower Layer Finish (Layer top only)

SL __	Satin Lacquer	+608
T __ __	Veneer Tier 1, 2, 3	+899
HG __	High Gloss Polyester	+990

Step 5. Base Finish

T1 __	Veneer Tier 1	+984
T2 __	Veneer Tier 2	+2,356
SL __	Satin Lacquer	+0
HG __	High Gloss Polyester	+4,544

Step 6. Power & Connectivity Access: Optional

DRHW	Drawer, Hardwired (layered edge only), Qty 4	+8,016
DRPI	Drawer, Plug In (layered edge only), Qty 4	+6,864
DRLK	Drawer, Linkable (layered edge only), Qty 4	+6,864
TMHW	Tabletop Metal lid, Hardwired, Qty 2	+11,172
TMPI	Tabletop Metal lid, Plug In, Qty 2	+9,866
TMLK	Tabletop Metal lid, Linkable, Qty 2	+9,866
TWHW	Tabletop Wood lid, Hardwired (veneer tops only), Qty 2	+9,924
TWPI	Tabletop Wood lid, Plug In (veneer tops only), Qty 2	+8,574
TWLK	Tabletop Wood lid, Linkable (veneer tops only), Qty 2	+8,574
UMHW	Undermount, Hardwired, Qty 4	+4,788
UMPI	Undermount, Plug In, Qty 4	+3,480
UMLK	Undermount, Linkable, Qty 4	+3,480
SOHW	Slide Out Power Box, Hardwired, Qty 4	+8,340
SOPI	Slide Out Power Box, Plug In, Qty 4	+7,076
SOLK	Slide Out Power Box, Linkable, Qty 4	+7,076

Step 7. Microphone and/or Grommet Accommodations: Optional

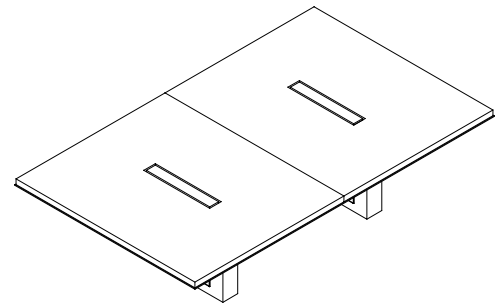
MA __	Microphone hole (factory cut)	Qty __ x 377 each
GM __	2" Grommet hole (factory cut), liner, lid, in matching metal finish	Qty __ x 496 each

Please consult [page 7](#) for the palette of DatesWeiser finishes. Natural stone, non-standard glass and veneer, and other technology options are available. Please email customerservice@datesweiser.com for a custom quote. Consult technical information on [page 298](#) for construction details and technical information.

Highline Fifty Rectangular Conference Table

72"x120"/ 12 Person

03R72X120



Starting Price: **\$24,900**

72x120 table, slab veneer Tier 1 top, open painted base with no metal trim, powder coat finish

Base Pattern Number: 03R72X120

Step 1. Top Material

S	Slab (veneer only)
V	Veneer layered
G	Glass layered
C	Corian layered
Q	Caesarstone layered

Step 2. Base Options

ON	Open Base, no metal trim	+ 0
MC __	Open Base, MC metal trim	+3,501
PM01	Open Base, PM01 metal trim	+4,710
PM02	Open Base, PM02 metal trim	+4,710
PM03	Open Base, PM03 metal trim	+5,886

Step 3. Edge Selection/Finish

N __	No Edge	+0
AU __	Spinneybeck Leather: Acqua	+\$3,232
MC __	Powder Coat	+0
PM01	Polished Chrome	+1,439
PM02	Satin Nickel	+1,439
PM03	Oil Rubbed Bronze	+1,439

Step 4A. Top Finish

T1 __	Veneer Tier 1	+0
T2 __	Veneer Tier 2	+1,621
GC __	Clear Glass, back painted	+8,321
GE __	Etched matte Glass, back painted	+9,790
CS01	Corian Glacier White	+10,215
QS __	Caesarstone	Contact Rep.

Step 4B. Lower Layer Finish (Layer top only)

SL __	Satin Lacquer	+667
T __	Veneer Tier 1, 2, 3	+983
HG __	High Gloss Polyester	+1,082

Step 5. Base Finish

T1 __	Veneer Tier 1	+984
T2 __	Veneer Tier 2	+2,356
SL __	Satin Lacquer	+0
HG __	High Gloss Polyester	+4,544

Step 6. Power & Connectivity Access: Optional

DRHW	Drawer, Hardwired (layered edge only), Qty 6	+12,024
DRPI	Drawer, Plug In (layered edge only), Qty 6	+10,296
DRLK	Drawer, Linkable (layered edge only), Qty 6	+10,296
TMHW	Tabletop Metal lid, Hardwired, Qty 2	+11,172
TMPI	Tabletop Metal lid, Plug In, Qty 2	+9,866
TMLK	Tabletop Metal lid, Linkable, Qty 2	+9,866
TWHW	Tabletop Wood lid, Hardwired (veneer tops only), Qty 2	+9,924
TWPI	Tabletop Wood lid, Plug In (veneer tops only), Qty 2	+8,574
TWLK	Tabletop Wood lid, Linkable (veneer tops only), Qty 2	+8,574
UMHW	Undermount, Hardwired, Qty 6	+7,182
UMPI	Undermount, Plug In, Qty 6	+5,220
UMLK	Undermount, Linkable, Qty 6	+5,220
SOHW	Slide Out Power Box, Hardwired, Qty 6	+12,510
SOPI	Slide Out Power Box, Plug In, Qty 6	+10,614
SOLK	Slide Out Power Box, Linkable, Qty 6	+10,614

Step 7. Microphone and/or Grommet Accommodations: Optional

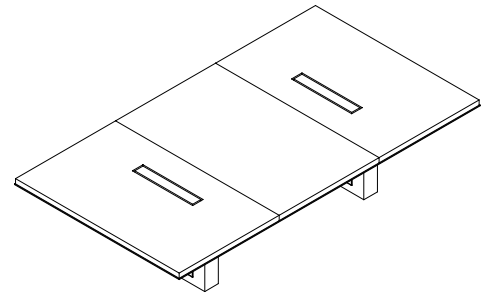
MA __	Microphone hole (factory cut)	Qty __ x 377 each
GM __	2" Grommet hole (factory cut), liner, lid, in matching metal finish	Qty __ x 496 each

Please consult [page 7](#) for the palette of DatesWeiser finishes. Natural stone, non-standard glass and veneer, and other technology options are available. Please email customerservice@datesweiser.com for a custom quote. Consult technical information on [page 298](#) for construction details and technical information.

Highline Fifty Rectangular Conference Table

72"x132" / 12 Person

03R72X132



Starting Price: **\$30,642**

72x132 table, slab veneer Tier 1 top, open painted base with no metal trim, powder coat finish

Base Pattern Number: 03R72X132

Step 1. Top Material

S	Slab (veneer only)	
V	Veneer layered	
G	Glass layered	
C	Corian layered	
Q	Caesarstone layered	

Step 2. Base Options

ON	Open Base, no metal trim	+ 0
MC __	Open Base, MC metal trim	+3,501
PM01	Open Base, PM01 metal trim	+4,710
PM02	Open Base, PM02 metal trim	+4,710
PM03	Open Base, PM03 metal trim	+5,886

Step 3. Edge Selection/Finish

N __	No Edge	+0
AU __	Spinneybeck Leather: Acqua	+\$3,315
MC __	Powder Coat	+0
PM01	Polished Chrome	+1,525
PM02	Satin Nickel	+ 1,525
PM03	Oil Rubbed Bronze	+ 1,525

Step 4A. Top Finish

T1 __	Veneer Tier 1	+0
T2 __	Veneer Tier 2	+1,783
GC __	Clear Glass, back painted	+9,291
GE __	Etched matte Glass, back painted	+10,906
CS01	Corian Glacier White	+11,237
QS __	Caesarstone	Contact Rep.

Step 4B. Lower Layer Finish (Layer top only)

SL __	Satin Lacquer	+732
T __	Veneer Tier 1, 2, 3	+1,015
HG __	High Gloss Polyester	+1,118

Step 5. Base Finish

T1 __	Veneer Tier 1	+984
T2 __	Veneer Tier 2	+2,356
SL __	Satin Lacquer	+0
HG __	High Gloss Polyester	+4,544

Step 6. Power & Connectivity Access: Optional

DRHW	Drawer, Hardwired (layered edge only), Qty 6	+12,024
DRPI	Drawer, Plug In (layered edge only), Qty 6	+10,296
DRLK	Drawer, Linkable (layered edge only), Qty 6	+10,296
TMHW	Tabletop Metal lid, Hardwired, Qty 2	+11,172
TMPI	Tabletop Metal lid, Plug In, Qty 2	+9,866
TMLK	Tabletop Metal lid, Linkable, Qty 2	+9,866
TWHW	Tabletop Wood lid, Hardwired (veneer tops only), Qty 2	+9,924
TWPI	Tabletop Wood lid, Plug In (veneer tops only), Qty 2	+8,574
TWLK	Tabletop Wood lid, Linkable (veneer tops only), Qty 2	+8,574
UMHW	Undermount, Hardwired, Qty 6	+7,182
UMPI	Undermount, Plug In, Qty 6	+5,220
UMLK	Undermount, Linkable, Qty 6	+5,220
SOHW	Slide Out Power Box, Hardwired, Qty 6	+12,510
SOPI	Slide Out Power Box, Plug In, Qty 6	+10,614
SOLK	Slide Out Power Box, Linkable, Qty 6	+10,614

Step 7. Microphone and/or Grommet Accommodations: Optional

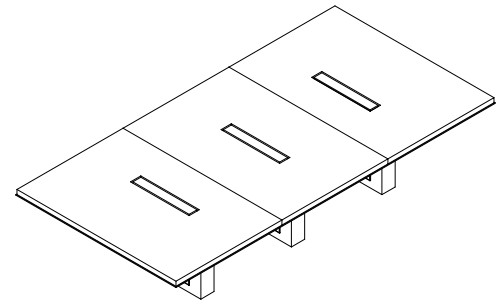
MA __	Microphone hole (factory cut)	Qty __ x 377 each
GM __	2" Grommet hole (factory cut), liner, lid, in matching metal finish	Qty __ x 496 each

Please consult [page 7](#) for the palette of DatesWeiser finishes. Natural stone, non-standard glass and veneer, and other technology options are available. Please email customerservice@datesweiser.com for a custom quote. Consult technical information on [page 298](#) for construction details and technical information.

Highline Fifty Rectangular Conference Table

72"x144"/ 12 Person

03R72X144



Starting Price: **\$32,331**

72x144 table, slab veneer Tier 1 top, open painted base with no metal trim, powder coat finish

Base Pattern Number: 03R72X144

Step 1. Top Material

S	Slab (veneer only)
V	Veneer layered
G	Glass layered
C	Corian layered
Q	Caesarstone layered

Step 2. Base Options

ON	Open Base, no metal trim	+ 0
MC __	Open Base, MC metal trim	+5,250
PM01	Open Base, PM01 metal trim	+7,065
PM02	Open Base, PM02 metal trim	+7,065
PM03	Open Base, PM03 metal trim	+8,830

Step 3. Edge Selection/Finish

N __	No Edge	+0
AU __	Spinneybeck Leather: Acqua	+\$3,636
MC __	Powder Coat	+0
PM01	Polished Chrome	+1,525
PM02	Satin Nickel	+ 1,525
PM03	Oil Rubbed Bronze	+ 1,525

Step 4A. Top Finish

T1 __	Veneer Tier 1	+0
T2 __	Veneer Tier 2	+1,945
GC __	Clear Glass, back painted	+10,089
GE __	Etched matte Glass, back painted	+11,850
CS01	Corian Glacier White	+12,258
QS __	Caesarstone	Contact Rep.

Step 4B. Lower Layer Finish (Layer top only)

SL __	Satin Lacquer	+746
T __ __	Veneer Tier 1, 2, 3	+1,033
HG __	High Gloss Polyester	+1,137

Step 5. Base Finish

T1 __	Veneer Tier 1	+1,476
T2 __	Veneer Tier 2	+3,534
SL __	Satin Lacquer	+0
HG __	High Gloss Polyester	+6,816

Step 6. Power & Connectivity Access: Optional

DRHW	Drawer, Hardwired (layered edge only), Qty 6	+12,024
DRPI	Drawer, Plug In (layered edge only), Qty 6	+10,296
DRLK	Drawer, Linkable (layered edge only), Qty 6	+10,296
TMHW	Tabletop Metal lid, Hardwired, Qty 3	+16,758
TMPI	Tabletop Metal lid, Plug In, Qty 3	+14,799
TMLK	Tabletop Metal lid, Linkable, Qty 3	+14,799
TWHW	Tabletop Wood lid, Hardwired (veneer tops only), Qty 3	+14,886
TWPI	Tabletop Wood lid, Plug In (veneer tops only), Qty 3	+12,861
TWLK	Tabletop Wood lid, Linkable (veneer tops only), Qty 3	+12,861
UMHW	Undermount, Hardwired, Qty 6	+7,182
UMPI	Undermount, Plug In, Qty 6	+5,220
UMLK	Undermount, Linkable, Qty 6	+5,220
SOHW	Slide Out Power Box, Hardwired, Qty 6	+12,510
SOPI	Slide Out Power Box, Plug In, Qty 6	+10,614
SOLK	Slide Out Power Box, Linkable, Qty 6	+10,614

Step 7. Microphone and/or Grommet Accommodations: Optional

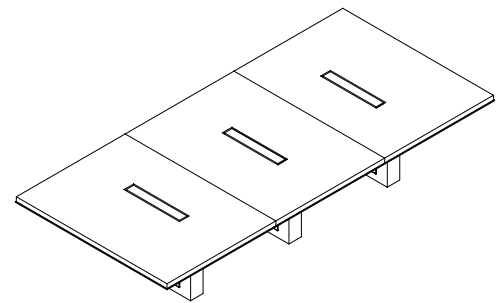
MA __	Microphone hole (factory cut)	Qty __ x 377 each
GM __	2" Grommet hole (factory cut), liner, lid, in matching metal finish	Qty __ x 496 each

Please consult [page 7](#) for the palette of DatesWeiser finishes. Natural stone, non-standard glass and veneer, and other technology options are available. Please email customerservice@datesweiser.com for a custom quote. Consult technical information on [page 298](#) for construction details and technical information.

Highline Fifty Rectangular Conference Table

72"x156"/ 12 Person

03R72X156



Starting Price: **\$33,658**

72x156 table, slab veneer Tier 1 top, open painted base with no metal trim, powder coat finish

Base Pattern Number: 03R72X156

Step 1. Top Material

S	Slab (veneer only)	
V	Veneer layered	
G	Glass layered	
C	Corian layered	
Q	Caesarstone layered	

Step 2. Base Options

ON	Open Base, no metal trim	+ 0
MC __	Open Base, MC metal trim	+5,250
PM01	Open Base, PM01 metal trim	+7,065
PM02	Open Base, PM02 metal trim	+7,065
PM03	Open Base, PM03 metal trim	+8,830

Step 3. Edge Selection/Finish

N __	No Edge	+0
AU __	Spinneybeck Leather: Acqua	+\$3,837
MC __	Powder Coat	+0
PM01	Polished Chrome	+1,525
PM02	Satin Nickel	+ 1,525
PM03	Oil Rubbed Bronze	+ 1,525

Step 4A. Top Finish

T1 __	Veneer Tier 1	+0
T2 __	Veneer Tier 2	+2,107
GC __	Clear Glass, back painted	+10,872
GE __	Etched matte Glass, back painted	+12,781
CS01	Corian Glacier White	+13,281
QS __	Caesarstone	Contact Rep.

Step 4B. Lower Layer Finish (Layer top only)

SL __	Satin Lacquer	+868
T __	Veneer Tier 1, 2, 3	+1,183
HG __	High Gloss Polyester	+1,301

Step 5. Base Finish

T1 __	Veneer Tier 1	+1,476
T2 __	Veneer Tier 2	+3,534
SL __	Satin Lacquer	+0
HG __	High Gloss Polyester	+6,816

Step 6. Power & Connectivity Access: Optional

DRHW	Drawer, Hardwired (layered edge only), Qty 6	+12,024
DRPI	Drawer, Plug In (layered edge only), Qty 6	+10,296
DRLK	Drawer, Linkable (layered edge only), Qty 6	+10,296
TMHW	Tabletop Metal lid, Hardwired, Qty 3	+16,758
TMPI	Tabletop Metal lid, Plug In, Qty 3	+14,799
TMLK	Tabletop Metal lid, Linkable, Qty 3	+14,799
TWHW	Tabletop Wood lid, Hardwired (veneer tops only), Qty 3	+14,886
TWPI	Tabletop Wood lid, Plug In (veneer tops only), Qty 3	+12,861
TWLK	Tabletop Wood lid, Linkable (veneer tops only), Qty 3	+12,861
UMHW	Undermount, Hardwired, Qty 6	+7,182
UMPI	Undermount, Plug In, Qty 6	+5,220
UMLK	Undermount, Linkable, Qty 6	+5,220
SOHW	Slide Out Power Box, Hardwired, Qty 6	+12,510
SOPI	Slide Out Power Box, Plug In, Qty 6	+10,614
SOLK	Slide Out Power Box, Linkable, Qty 6	+10,614

Step 7. Microphone and/or Grommet Accommodations: Optional

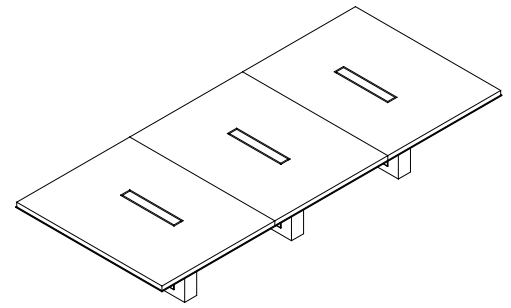
MA __	Microphone hole (factory cut)	Qty __ x 377 each
GM __	2" Grommet hole (factory cut), liner, lid, in matching metal finish	Qty __ x 496 each

Please consult [page 7](#) for the palette of DatesWeiser finishes. Natural stone, non-standard glass and veneer, and other technology options are available. Please email customerservice@datesweiser.com for a custom quote. Consult technical information on [page 298](#) for construction details and technical information.

Highline Fifty Rectangular Conference Table

72"x168"/ 14 Person

03R72X168



Starting Price: **\$35,435**

72x168 table, slab veneer Tier 1 top, open painted base with no metal trim, powder coat finish

Base Pattern Number: 03R72X168

Step 1. Top Material

S	Slab (veneer only)	
V	Veneer layered	
G	Glass layered	
C	Corian layered	
Q	Caesarstone layered	

Step 2. Base Options

ON	Open Base, no metal trim	+ 0
MC __	Open Base, MC metal trim	+5,250
PM01	Open Base, PM01 metal trim	+7,065
PM02	Open Base, PM02 metal trim	+7,065
PM03	Open Base, PM03 metal trim	+8,830

Step 3. Edge Selection/Finish

N __	No Edge	+0
AU __	Spinneybeck Leather: Acqua	+\$4,040
MC __	Powder Coat	+0
PM01	Polished Chrome	+2,255
PM02	Satin Nickel	+ 2,255
PM03	Oil Rubbed Bronze	+ 2,255

Step 4A. Top Finish

T1 __	Veneer Tier 1	+0
T2 __	Veneer Tier 2	+2,269
GC __	Clear Glass, back painted	+11,675
GE __	Etched matte Glass, back painted	+13,730
CS01	Corian Glacier White	+14,302
QS __	Caesarstone	Contact Rep.

Step 4B. Lower Layer Finish (Layer top only)

SL __	Satin Lacquer	+919
T __ __	Veneer Tier 1, 2, 3	+1,275
HG __	High Gloss Polyester	+1,404

Step 5. Base Finish

T1 __	Veneer Tier 1	+1,476
T2 __	Veneer Tier 2	+3,534
SL __	Satin Lacquer	+0
HG __	High Gloss Polyester	+6,816

Step 6. Power & Connectivity Access: Optional

DRHW	Drawer, Hardwired (layered edge only), Qty 6	+12,024
DRPI	Drawer, Plug In (layered edge only), Qty 6	+10,296
DRLK	Drawer, Linkable (layered edge only), Qty 6	+10,296
TMHW	Tabletop Metal lid, Hardwired, Qty 3	+16,758
TMPI	Tabletop Metal lid, Plug In, Qty 3	+14,799
TMLK	Tabletop Metal lid, Linkable, Qty 3	+14,799
TWHW	Tabletop Wood lid, Hardwired (veneer tops only), Qty 3	+14,886
TWPI	Tabletop Wood lid, Plug In (veneer tops only), Qty 3	+12,861
TWLK	Tabletop Wood lid, Linkable (veneer tops only), Qty 3	+12,861
UMHW	Undermount, Hardwired, Qty 6	+7,182
UMPI	Undermount, Plug In, Qty 6	+5,220
UMLK	Undermount, Linkable, Qty 6	+5,220
SOHW	Slide Out Power Box, Hardwired, Qty 6	+12,510
SOPI	Slide Out Power Box, Plug In, Qty 6	+10,614
SOLK	Slide Out Power Box, Linkable, Qty 6	+10,614

Step 7. Microphone and/or Grommet Accommodations: Optional

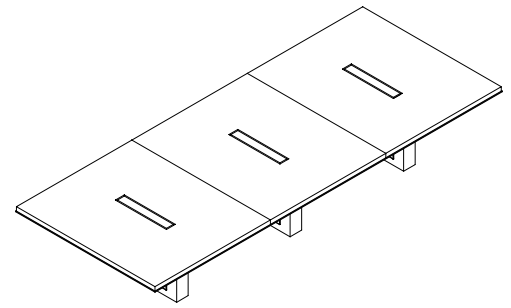
MA __	Microphone hole (factory cut)	Qty __ x 377 each
GM __	2" Grommet hole (factory cut), liner, lid, in matching metal finish	Qty __ x 496 each

Please consult [page 7](#) for the palette of DatesWeiser finishes. Natural stone, non-standard glass and veneer, and other technology options are available. Please email customerservice@datesweiser.com for a custom quote. Consult technical information on [page 298](#) for construction details and technical information.

Highline Fifty Rectangular Conference Table

72"x180"/ 16 Person

03R72X180



Starting Price: **\$36,803**

72x180 table, slab veneer Tier 1 top, open painted base with no metal trim, powder coat finish

Base Pattern Number: 03R72X180

Step 1. Top Material

S	Slab (veneer only)
V	Veneer layered
G	Glass layered
C	Corian layered
Q	Caesarstone layered

Step 2. Base Options

ON	Open Base, no metal trim	+ 0
MC __	Open Base, MC metal trim	+5,250
PM01	Open Base, PM01 metal trim	+7,065
PM02	Open Base, PM02 metal trim	+7,065
PM03	Open Base, PM03 metal trim	+8,830

Step 3. Edge Selection/Finish

N __	No Edge	+0
AU __	Spinneybeck Leather: Acqua	+\$4,242
MC __	Powder Coat	+0
PM01	Polished Chrome	+2,255
PM02	Satin Nickel	+2,255
PM03	Oil Rubbed Bronze	+2,255

Step 4A. Top Finish

T1 __	Veneer Tier 1	+0
T2 __	Veneer Tier 2	+2,431
GC __	Clear Glass, back painted	+12,459
GE __	Etched matte Glass, back painted	+14,662
CS01	Corian Glacier White	+15,323
QS __	Caesarstone*	Contact Rep.

Step 4B. Lower Layer Finish (Layer top only)

SL __	Satin Lacquer	+944
T __	Veneer Tier 1, 2, 3	+1,354
HG __	High Gloss Polyester	+1,489

Step 5. Base Finish

T1 __	Veneer Tier 1	+1,476
T2 __	Veneer Tier 2	+3,534
SL __	Satin Lacquer	+0
HG __	High Gloss Polyester	+6,816

Step 6. Power & Connectivity Access: Optional

DRHW	Drawer, Hardwired (layered edge only), Qty 8	+16,032
DRPI	Drawer, Plug In (layered edge only), Qty 8	+13,728
DRLK	Drawer, Linkable (layered edge only), Qty 8	+13,728
TMHW	Tabletop Metal lid, Hardwired, Qty 3	+16,758
TMPI	Tabletop Metal lid, Plug In, Qty 3	+14,799
TMLK	Tabletop Metal lid, Linkable, Qty 3	+14,799
TWHW	Tabletop Wood lid, Hardwired (veneer tops only), Qty 3	+14,886
TWPI	Tabletop Wood lid, Plug In (veneer tops only), Qty 3	+12,861
TWLK	Tabletop Wood lid, Linkable (veneer tops only), Qty 3	+12,861
UMHW	Undermount, Hardwired, Qty 8	+9,576
UMPI	Undermount, Plug In, Qty 8	+6,960
UMLK	Undermount, Linkable, Qty 8	+6,960
SOHW	Slide Out Power Box, Hardwired, Qty 8	+16,680
SOPI	Slide Out Power Box, Plug In, Qty 8	+14,152
SOLK	Slide Out Power Box, Linkable, Qty 8	+14,152

Step 7. Microphone and/or Grommet Accommodations: Optional

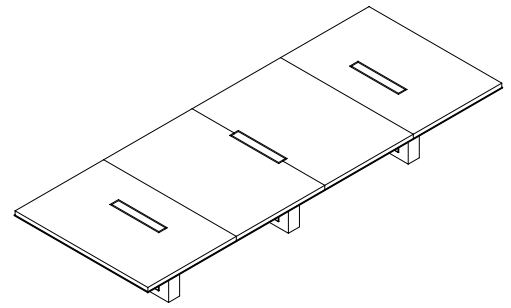
MA __	Microphone hole (factory cut)	Qty __ x 377 each
GM __	2" Grommet hole (factory cut), liner, lid, in matching metal finish	Qty __ x 496 each

Please consult [page 7](#) for the palette of DatesWeiser finishes. Natural stone, non-standard glass and veneer, and other technology options are available. Please email customerservice@datesweiser.com for a custom quote. Consult technical information on [page 298](#) for construction details and technical information.

Highline Fifty Rectangular Conference Table

72"x192" / 16 Person

03R72X192



Starting Price: **\$41,980**

72x192 table, slab veneer Tier 1 top, open painted base with no metal trim, powder coat finish

Base Pattern Number: 03R72X192

Step 1. Top Material

S	Slab (veneer only)	
V	Veneer layered	
G	Glass layered	
C	Corian layered	
Q	Caesarstone layered	

Step 2. Base Options

ON	Open Base, no metal trim	+ 0
MC __	Open Base, MC metal trim	+5,250
PM01	Open Base, PM01 metal trim	+7,065
PM02	Open Base, PM02 metal trim	+7,065
PM03	Open Base, PM03 metal trim	+8,830

Step 3. Edge Selection/Finish

N __	No Edge	+0
AU __	Spinneybeck Leather: Acqua	+\$4,443
MC __	Powder Coat	+0
PM01	Polished Chrome	+2,255
PM02	Satin Nickel	+2,255
PM03	Oil Rubbed Bronze	+2,255

Step 4A. Top Finish

T1 __	Veneer Tier 1	+0
T2 __	Veneer Tier 2	+2,592
GC __	Clear Glass, back painted	+13,405
GE __	Etched matte Glass, back painted	+15,754
CS01	Corian Glacier White	+16,345
QS __	Caesarstone	Contact Rep.

Step 4B. Lower Layer Finish (Layer top only)

SL __	Satin Lacquer	+1,015
T ___	Veneer Tier 1, 2, 3	+1,429
HG __	High Gloss Polyester	+1,573

Step 5. Base Finish

T1 __	Veneer Tier 1	+1,476
T2 __	Veneer Tier 2	+3,534
SL __	Satin Lacquer	+0
HG __	High Gloss Polyester	+6,816

Step 6. Power & Connectivity Access: Optional

DRHW	Drawer, Hardwired (layered edge only), Qty 8	+16,032
DRPI	Drawer, Plug In (layered edge only), Qty 8	+13,728
DRLK	Drawer, Linkable (layered edge only), Qty 8	+13,728
TMHW	Tabletop Metal lid, Hardwired, Qty 3	+16,758
TMPI	Tabletop Metal lid, Plug In, Qty 3	+14,799
TMLK	Tabletop Metal lid, Linkable, Qty 3	+14,799
TWHW	Tabletop Wood lid, Hardwired (veneer tops only), Qty 3	+14,886
TWPI	Tabletop Wood lid, Plug In (veneer tops only), Qty 3	+12,861
TWLK	Tabletop Wood lid, Linkable (veneer tops only), Qty 3	+12,861
UMHW	Undermount, Hardwired, Qty 8	+9,576
UMPI	Undermount, Plug In, Qty 8	+6,960
UMLK	Undermount, Linkable, Qty 8	+6,960
SOHW	Slide Out Power Box, Hardwired, Qty 8	+16,680
SOPI	Slide Out Power Box, Plug In, Qty 8	+14,152
SOLK	Slide Out Power Box, Linkable, Qty 8	+14,152

Step 7. Microphone and/or Grommet Accommodations: Optional

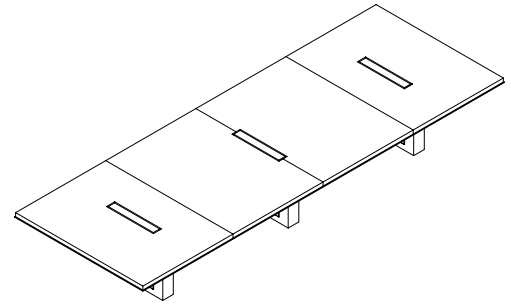
MA __	Microphone hole (factory cut)	Qty __ x 377 each
GM __	2" Grommet hole (factory cut), liner, lid, in matching metal finish	Qty __ x 496 each

Please consult [page 7](#) for the palette of DatesWeiser finishes. Natural stone, non-standard glass and veneer, and other technology options are available. Please email customerservice@datesweiser.com for a custom quote. Consult technical information on [page 298](#) for construction details and technical information.

Highline Fifty Rectangular Conference Table

72"x204"/ 16 Person

03R72X204



Starting Price: **\$43,402**

72x204 table, slab veneer Tier 1 top, open painted base with no metal trim, powder coat finish

Base Pattern Number: 03R72X204

Step 1. Top Material

S	Slab (veneer only)
V	Veneer layered
G	Glass layered
C	Corian layered
Q	Caesarstone layered

Step 2. Base Options

ON	Open Base, no metal trim	+ 0
MC __	Open Base, MC metal trim	+5,250
PM01	Open Base, PM01 metal trim	+7,065
PM02	Open Base, PM02 metal trim	+7,065
PM03	Open Base, PM03 metal trim	+8,830

Step 3. Edge Selection/Finish

N __	No Edge	+0
AU __	Spinneybeck Leather: Acqua	+\$4,646
MC __	Powder Coat	+0
PM01	Polished Chrome	+2,255
PM02	Satin Nickel	+2,255
PM03	Oil Rubbed Bronze	+2,255

Step 4A. Top Finish

T1 __	Veneer Tier 1	+0
T2 __	Veneer Tier 2	+2,638
GC __	Clear Glass, back painted	+14,191
GE __	Etched matte Glass, back painted	+16,688
CS01	Corian Glacier White	+17,366
QS __	Caesarstone	Contact Rep.

Step 4B. Lower Layer Finish (Layer top only)

SL __	Satin Lacquer	+1,105
T __ __	Veneer Tier 1, 2, 3	+1,507
HG __	High Gloss Polyester	+1,659

Step 5. Base Finish

T1 __	Veneer Tier 1	+1,476
T2 __	Veneer Tier 2	+3,534
SL __	Satin Lacquer	+0
HG __	High Gloss Polyester	+6,816

Step 6. Power & Connectivity Access: Optional

DRHW	Drawer, Hardwired (layered edge only), Qty 8	+16,032
DRPI	Drawer, Plug In (layered edge only), Qty 8	+13,728
DRLK	Drawer, Linkable (layered edge only), Qty 8	+13,728
TMHW	Tabletop Metal lid, Hardwired, Qty 3	+16,758
TMPI	Tabletop Metal lid, Plug In, Qty 3	+14,799
TMLK	Tabletop Metal lid, Linkable, Qty 3	+14,799
TWHW	Tabletop Wood lid, Hardwired (veneer tops only), Qty 3	+14,886
TWPI	Tabletop Wood lid, Plug In (veneer tops only), Qty 3	+12,861
TWLK	Tabletop Wood lid, Linkable (veneer tops only), Qty 3	+12,861
UMHW	Undermount, Hardwired, Qty 8	+9,576
UMPI	Undermount, Plug In, Qty 8	+6,960
UMLK	Undermount, Linkable, Qty 8	+6,960
SOHW	Slide Out Power Box, Hardwired, Qty 8	+16,680
SOPI	Slide Out Power Box, Plug In, Qty 8	+14,152
SOLK	Slide Out Power Box, Linkable, Qty 8	+14,152

Step 7. Microphone and/or Grommet Accommodations: Optional

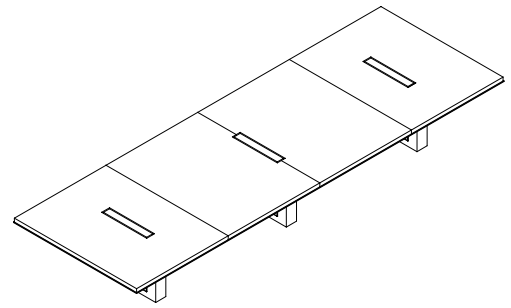
MA __	Microphone hole (factory cut)	Qty __ x 377 each
GM __	2" Grommet hole (factory cut), liner, lid, in matching metal finish	Qty __ x 496 each

Please consult [page 7](#) for the palette of DatesWeiser finishes. Natural stone, non-standard glass and veneer, and other technology options are available. Please email customerservice@datesweiser.com for a custom quote. Consult technical information on [page 298](#) for construction details and technical information.

Highline Fifty Rectangular Conference Table

72"x216"/ 18 Person

03R72X216



Starting Price: **\$44,734**

72x216 table, slab veneer Tier 1 top, open painted base with no metal trim, powder coat finish

Base Pattern Number: 03R72X216

Step 1. Top Material

S	Slab (veneer only)	
V	Veneer layered	
G	Glass layered	
C	Corian layered	
Q	Caesarstone layered	

Step 2. Base Options

ON	Open Base, no metal trim	+ 0
MC __	Open Base, MC metal trim	+5,250
PM01	Open Base, PM01 metal trim	+7,065
PM02	Open Base, PM02 metal trim	+7,065
PM03	Open Base, PM03 metal trim	+8,830

Step 3. Edge Selection/Finish

N __	No Edge	+0
AU __	Spinneybeck Leather: Acqua	+\$4,847
MC __	Powder Coat	+0
PM01	Polished Chrome	+2,255
PM02	Satin Nickel	+2,255
PM03	Oil Rubbed Bronze	+2,255

Step 4A. Top Finish

T1 __	Veneer Tier 1	+0
T2 __	Veneer Tier 2	+2,917
GC __	Clear Glass, back painted	+14,976
GE __	Etched matte Glass, back painted	+17,729
CS01	Corian Glacier White	+18,387
QS __	Caesarstone	Contact Rep.

Step 4B. Lower Layer Finish (Layer top only)

SL __	Satin Lacquer	+1,159
T __	Veneer Tier 1, 2, 3	+1,586
HG __	High Gloss Polyester	+1,743

Step 5. Base Finish

T1 __	Veneer Tier 1	+1,476
T2 __	Veneer Tier 2	+3,534
SL __	Satin Lacquer	+0
HG __	High Gloss Polyester	+6,816

Step 6. Power & Connectivity Access: Optional

DRHW	Drawer, Hardwired (layered edge only), Qty 8	+16,032
DRPI	Drawer, Plug In (layered edge only), Qty 8	+13,728
DRLK	Drawer, Linkable (layered edge only), Qty 8	+13,728
TMHW	Tabletop Metal lid, Hardwired, Qty 3	+16,758
TMPI	Tabletop Metal lid, Plug In, Qty 3	+14,799
TMLK	Tabletop Metal lid, Linkable, Qty 3	+14,799
TWHW	Tabletop Wood lid, Hardwired (veneer tops only), Qty 3	+14,886
TWPI	Tabletop Wood lid, Plug In (veneer tops only), Qty 3	+12,861
TWLK	Tabletop Wood lid, Linkable (veneer tops only), Qty 3	+12,861
UMHW	Undermount, Hardwired, Qty 8	+9,576
UMPI	Undermount, Plug In, Qty 8	+6,960
UMLK	Undermount, Linkable, Qty 8	+6,960
SOHW	Slide Out Power Box, Hardwired, Qty 8	+16,680
SOPI	Slide Out Power Box, Plug In, Qty 8	+14,152
SOLK	Slide Out Power Box, Linkable, Qty 8	+14,152

Step 7. Microphone and/or Grommet Accommodations: Optional

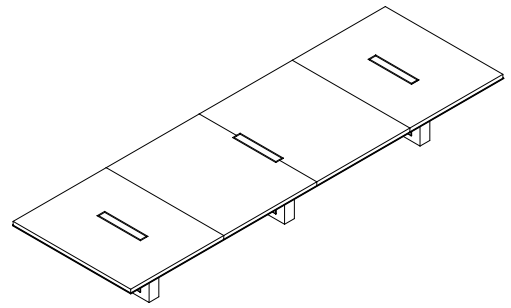
MA __	Microphone hole (factory cut)	Qty __ x 377 each
GM __	2" Grommet hole (factory cut), liner, lid, in matching metal finish	Qty __ x 496 each

Please consult [page 7](#) for the palette of DatesWeiser finishes. Natural stone, non-standard glass and veneer, and other technology options are available. Please email customerservice@datesweiser.com for a custom quote. Consult technical information on [page 298](#) for construction details and technical information.

Highline Fifty Rectangular Conference Table

72"x228"/ 18 Person

03R72X228



Starting Price: **\$46,096**

72x228 table, slab veneer Tier 1 top, open painted base with no metal trim, powder coat finish

Base Pattern Number: 03R72X228

Step 1. Top Material

S	Slab (veneer only)
V	Veneer layered
G	Glass layered
C	Corian layered
Q	Caesarstone layered

Step 2. Base Options

ON	Open Base, no metal trim	+ 0
MC __	Open Base, MC metal trim	+5,250
PM01	Open Base, PM01 metal trim	+7,065
PM02	Open Base, PM02 metal trim	+7,065
PM03	Open Base, PM03 metal trim	+8,830

Step 3. Edge Selection/Finish

N __	No Edge	+0
AU __	Spinneybeck Leather: Acqua	+\$5,049
MC __	Powder Coat	+0
PM01	Polished Chrome	+2,255
PM02	Satin Nickel	+2,255
PM03	Oil Rubbed Bronze	+2,255

Step 4A. Top Finish

T1 __	Veneer Tier 1	+0
T2 __	Veneer Tier 2	+3,079
GC __	Clear Glass, back painted	+15,760
GE __	Etched matte Glass, back painted	+18,549
CS01	Corian Glacier White	+19,409
QS __	Caesarstone*	Contact Rep.

Step 4B. Lower Layer Finish (Layer top only)

SL __	Satin Lacquer	+1,210
T __	Veneer Tier 1, 2, 3	+1,657
HG __	High Gloss Polyester	+1,823

Step 5. Base Finish

T1 __	Veneer Tier 1	+1,476
T2 __	Veneer Tier 2	+3,534
SL __	Satin Lacquer	+0
HG __	High Gloss Polyester	+6,816

Step 6. Power & Connectivity Access: Optional

DRHW	Drawer, Hardwired (layered edge only), Qty 8	+16,032
DRPI	Drawer, Plug In (layered edge only), Qty 8	+13,728
DRLK	Drawer, Linkable (layered edge only), Qty 8	+13,728
TMHW	Tabletop Metal lid, Hardwired, Qty 3	+16,758
TMPI	Tabletop Metal lid, Plug In, Qty 3	+14,799
TMLK	Tabletop Metal lid, Linkable, Qty 3	+14,799
TWHW	Tabletop Wood lid, Hardwired (veneer tops only), Qty 3	+14,886
TWPI	Tabletop Wood lid, Plug In (veneer tops only), Qty 3	+12,861
TWLK	Tabletop Wood lid, Linkable (veneer tops only), Qty 3	+12,861
UMHW	Undermount, Hardwired, Qty 8	+9,576
UMPI	Undermount, Plug In, Qty 8	+6,960
UMLK	Undermount, Linkable, Qty 8	+6,960
SOHW	Slide Out Power Box, Hardwired, Qty 8	+16,680
SOPI	Slide Out Power Box, Plug In, Qty 8	+14,152
SOLK	Slide Out Power Box, Linkable, Qty 8	+14,152

Step 7. Microphone and/or Grommet Accommodations: Optional

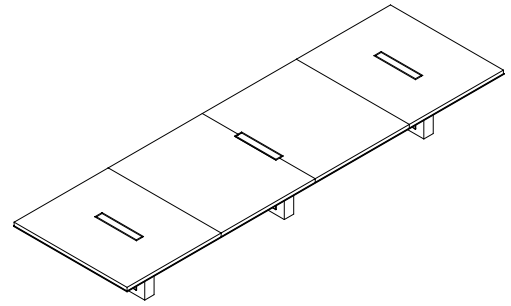
MA __	Microphone hole (factory cut)	Qty __ x 377 each
GM __	2" Grommet hole (factory cut), liner, lid, in matching metal finish	Qty __ x 496 each

Please consult [page 7](#) for the palette of DatesWeiser finishes. Natural stone, non-standard glass and veneer, and other technology options are available. Please email customerservice@datesweiser.com for a custom quote. Consult technical information on [page 298](#) for construction details and technical information.

Highline Fifty Rectangular Conference Table

72"x240"/ 20 Person

03R72X240



Starting Price: **\$49,038**

72x240 table, slab veneer Tier 1 top, open painted base with no metal trim, powder coat finish

Base Pattern Number: 03R72X240

Step 1. Top Material

S	Slab (veneer only)
V	Veneer layered
G	Glass layered
C	Corian layered
Q	Caesarstone layered

Step 2. Base Options

ON	Open Base, no metal trim	+ 0
MC __	Open Base, MC metal trim	+5,250
PM01	Open Base, PM01 metal trim	+7,065
PM02	Open Base, PM02 metal trim	+7,065
PM03	Open Base, PM03 metal trim	+8,830

Step 3. Edge Selection/Finish

N __	No Edge	+0
AU __	Spinneybeck Leather: Acqua	+\$5,252
MC __	Powder Coat	+0
PM01	Polished Chrome	+2,255
PM02	Satin Nickel	+2,255
PM03	Oil Rubbed Bronze	+2,255

Step 4A. Top Finish

T1 __	Veneer Tier 1	+0
T2 __	Veneer Tier 2	+3,241
GC __	Clear Glass, back painted	+16,610
GE __	Etched matte Glass, back painted	+19,547
CS01	Corian Glacier White	+20,547
QS __	Caesarstone*	Contact Rep.

Step 4B. Lower Layer Finish (Layer top only)

SL __	Satin Lacquer	+1,345
T __	Veneer Tier 1, 2, 3	+1,740
HG __	High Gloss Polyester	+1,917

Step 5. Base Finish

T1 __	Veneer Tier 1	+1,476
T2 __	Veneer Tier 2	+3,534
SL __	Satin Lacquer	+0
HG __	High Gloss Polyester	+6,816

Step 6. Power & Connectivity Access: Optional

DRHW	Drawer, Hardwired (layered edge only), Qty 10	+20,040
DRPI	Drawer, Plug In (layered edge only), Qty 10	+17,160
DRLK	Drawer, Linkable (layered edge only), Qty 10	+17,160
TMHW	Tabletop Metal lid, Hardwired, Qty 3	+16,758
TMPI	Tabletop Metal lid, Plug In, Qty 3	+14,799
TMLK	Tabletop Metal lid, Linkable, Qty 3	+14,799
TWHW	Tabletop Wood lid, Hardwired (veneer tops only), Qty 3	+14,886
TWPI	Tabletop Wood lid, Plug In (veneer tops only), Qty 3	+12,861
TWLK	Tabletop Wood lid, Linkable (veneer tops only), Qty 3	+12,861
UMHW	Undermount, Hardwired, Qty 10	+11,970
UMPI	Undermount, Plug In, Qty 10	+8,700
UMLK	Undermount, Linkable, Qty 10	+8,700
SOHW	Slide Out Power Box, Hardwired, Qty 10	+20,850
SOPI	Slide Out Power Box, Plug In, Qty 10	+17,690
SOLK	Slide Out Power Box, Linkable, Qty 10	+17,690

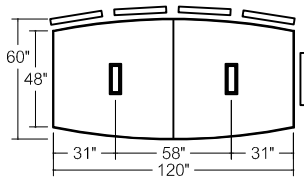
Step 7. Microphone and/or Grommet Accommodations: Optional

MA __	Microphone hole (factory cut)	Qty __ x 377 each
GM __	2" Grommet hole (factory cut), liner, lid, in matching metal finish	Qty __ x 496 each

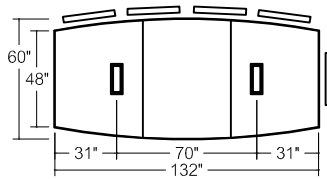
Please consult [page 7](#) for the palette of DatesWeiser finishes. Natural stone, non-standard glass and veneer, and other technology options are available. Please email customerservice@datesweiser.com for a custom quote. Consult technical information on [page 298](#) for construction details and technical information.

Highline Fifty Boat Tables Index

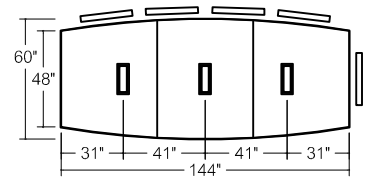
48"-72" width



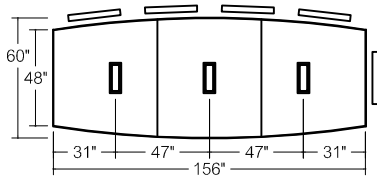
03B60X120
10 Person Table



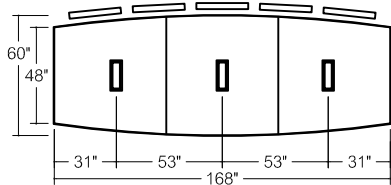
03B60X132
10 Person Table



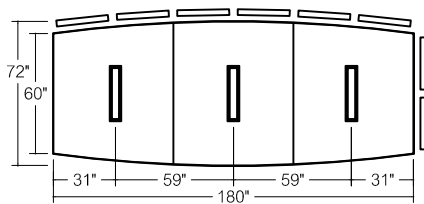
03B60X144
10 Person Table



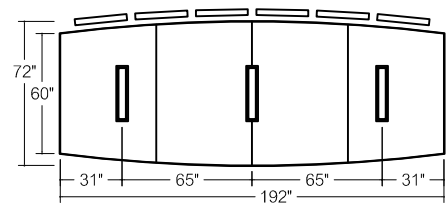
03B60X156
10 Person Table



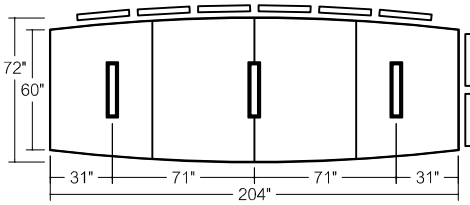
03B60X168
12 Person Table



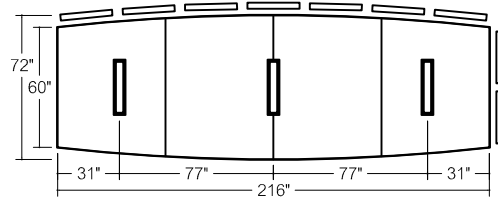
03B72X180
16 Person Table



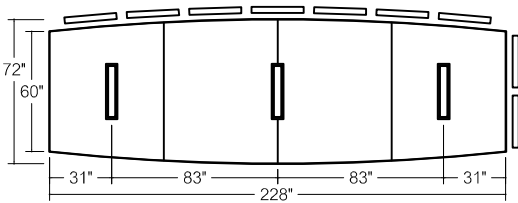
03B72X192
16 Person Table



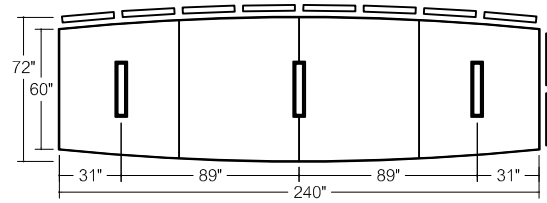
03B72X204
16 Person Table



03B72X216
18 Person Table



03B72X228
18 Person Table

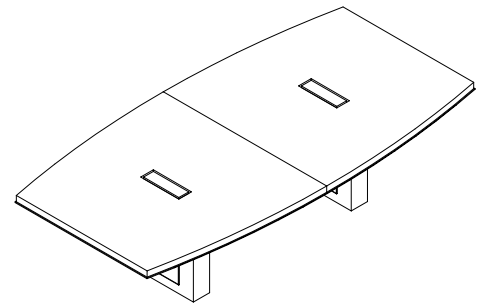


03B72X240
20 Person Table

Highline Fifty Boat Conference Table

60"x120"/ 10 Person

03B60X120



Starting Price: **\$28,032**

60x120 table, slab veneer Tier 1 top, open painted base with no metal trim, powder coat finish

Base Pattern Number: 03B60X120

Step 1. Top Material

S	Slab (veneer only)
V	Veneer layered
G	Glass layered
C	Corian layered
Q	Caesarstone layered

Step 2. Base Options

ON	Open Base, no metal trim	+ 0
MC __	Open Base, MC metal trim	+3,501
PM01	Open Base, PM01 metal trim	+4,710
PM02	Open Base, PM02 metal trim	+4,710
PM03	Open Base, PM03 metal trim	+5,886

Step 3. Edge Selection/Finish

N __	No Edge	+0
AU __	Spinneybeck Leather: Acqua	+\$3,588
MC __	Powder Coat	+0
PM01	Polished Chrome	+2,126
PM02	Satin Nickel	+2,126
PM03	Oil Rubbed Bronze	+5,369

Step 4A. Top Finish

T1 __	Veneer Tier 1	+0
T2 __	Veneer Tier 2	+1,350
GC __	Clear Glass, back painted	+10,363
GE __	Etched matte Glass, back painted	+12,199
CS01	Corian Glacier White	+14,090
QS __	Caesarstone	Contact Rep.

Step 4B. Lower Layer Finish (Layer top only)

SL __	Satin Lacquer	+653
T __	Veneer Tier 1, 2, 3	+964
HG __	High Gloss Polyester	+1060

Step 5. Base Finish

T1 __	Veneer Tier 1	+882
T2 __	Veneer Tier 2	+1,848
SL __	Satin Lacquer	+0
HG __	High Gloss Polyester	+4,036

Step 6. Power & Connectivity Access: Optional

DRHW	Drawer, Hardwired (layered edge only), Qty 6	+12,024
DRPI	Drawer, Plug In (layered edge only), Qty 6	+10,296
DRLK	Drawer, Linkable (layered edge only), Qty 6	+10,296
TMHW	Tabletop Metal lid, Hardwired, Qty 2	+8,796
TMPI	Tabletop Metal lid, Plug In, Qty 2	+7,496
TMLK	Tabletop Metal lid, Linkable, Qty 2	+6,394
TWHW	Tabletop Wood lid, Hardwired (veneer tops only), Qty 2	+8,062
TWPI	Tabletop Wood lid, Plug In (veneer tops only), Qty 2	+6,758
TWLK	Tabletop Wood lid, Linkable (veneer tops only), Qty 2	+5,662
UMHW	Undermount, Hardwired, Qty 6	+7,182
UMPI	Undermount, Plug In, Qty 6	+5,220
UMLK	Undermount, Linkable, Qty 6	+5,220
SOHW	Slide Out Power Box, Hardwired, Qty 6	+12,510
SOPI	Slide Out Power Box, Plug In, Qty 6	+10,614
SOLK	Slide Out Power Box, Linkable, Qty 6	+10,614

Step 7. Microphone and/or Grommet Accommodations: Optional

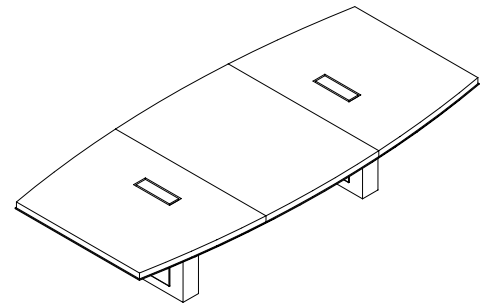
MA __	Microphone hole (factory cut)	Qty __ x 377 each
GM __	2" Grommet hole (factory cut), liner, lid, in matching metal finish	Qty __ x 496 each

Please consult [page 7](#) for the palette of DatesWeiser finishes. Natural stone, non-standard glass and veneer, and other technology options are available. Please email customerservice@datesweiser.com for a custom quote. Consult technical information on [page 298](#) for construction details and technical information.

Highline Fifty Boat Conference Table

60"x132"/ 10 Person

03B60X132



Starting Price: **\$34,217**

60x132 table, slab veneer Tier 1 top, open painted base with no metal trim, powder coat finish

Base Pattern Number: 03B60X132

Step 1. Top Material

S	Slab (veneer only)
V	Veneer layered
G	Glass layered
C	Corian layered
Q	Caesarstone layered

Step 2. Base Options

ON	Open Base, no metal trim	+ 0
MC __	Open Base, MC metal trim	+3,501
PM01	Open Base, PM01 metal trim	+4,710
PM02	Open Base, PM02 metal trim	+4,710
PM03	Open Base, PM03 metal trim	+5,886

Step 3. Edge Selection/Finish

N __	No Edge	+0
AU __	Spinneybeck Leather: Acqua	+\$3,841
MC __	Powder Coat	+0
PM01	Polished Chrome	+2,862
PM02	Satin Nickel	+2,862
PM03	Oil Rubbed Bronze	+7,143

Step 4A. Top Finish

T1 __	Veneer Tier 1	+0
T2 __	Veneer Tier 2	+1,485
GC __	Clear Glass, back painted	+11,543
GE __	Etched matte Glass, back painted	+13,562
CS01	Corian Glacier White	+15,499
QS __	Caesarstone	Contact Rep.

Step 4B. Lower Layer Finish (Layer top only)

SL __	Satin Lacquer	+732
T __ __	Veneer Tier 1, 2, 3	+978
HG __	High Gloss Polyester	+1,076

Step 5. Base Finish

T1 __	Veneer Tier 1	+882
T2 __	Veneer Tier 2	+1,848
SL __	Satin Lacquer	+0
HG __	High Gloss Polyester	+4,036

Step 6. Power & Connectivity Access: Optional

DRHW	Drawer, Hardwired (layered edge only), Qty 6	+12,024
DRPI	Drawer, Plug In (layered edge only), Qty 6	+10,296
DRLK	Drawer, Linkable (layered edge only), Qty 6	+10,296
TMHW	Tabletop Metal lid, Hardwired, Qty 2	+8,796
TMPI	Tabletop Metal lid, Plug In, Qty 2	+7,496
TMLK	Tabletop Metal lid, Linkable, Qty 2	+6,394
TWHW	Tabletop Wood lid, Hardwired (veneer tops only), Qty 2	+8,062
TWPI	Tabletop Wood lid, Plug In (veneer tops only), Qty 2	+6,758
TWLK	Tabletop Wood lid, Linkable (veneer tops only), Qty 2	+5,662
UMHW	Undermount, Hardwired, Qty 6	+7,182
UMPI	Undermount, Plug In, Qty 6	+5,220
UMLK	Undermount, Linkable, Qty 6	+5,220
SOHW	Slide Out Power Box, Hardwired, Qty 6	+12,510
SOPI	Slide Out Power Box, Plug In, Qty 6	+10,614
SOLK	Slide Out Power Box, Linkable, Qty 6	+10,614

Step 7. Microphone and/or Grommet Accommodations: Optional

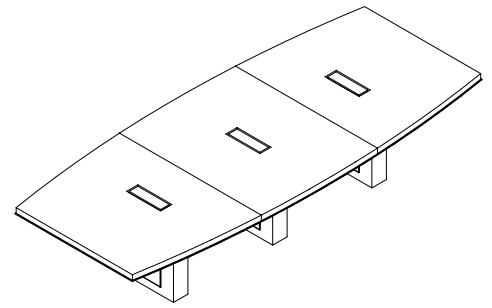
MA __	Microphone hole (factory cut)	Qty __ x 377 each
GM __	2" Grommet hole (factory cut), liner, lid, in matching metal finish	Qty __ x 496 each

Please consult [page 7](#) for the palette of DatesWeiser finishes. Natural stone, non-standard glass and veneer, and other technology options are available. Please email customerservice@datesweiser.com for a custom quote. Consult technical information on [page 298](#) for construction details and technical information.

Highline Fifty Boat Conference Table

60"x144"/ 10 Person

03B60X144



Starting Price: **\$35,999**

60x144 table, slab veneer Tier 1 top, open painted base with no metal trim, powder coat finish

Base Pattern Number: 03B60X144

Step 1. Top Material

S	Slab (veneer only)	
V	Veneer layered	
G	Glass layered	
C	Corian layered	
Q	Caesarstone layered	

Step 2. Base Options

ON	Open Base, no metal trim	+ 0
MC __	Open Base, MC metal trim	+5,250
PM01	Open Base, PM01 metal trim	+7,065
PM02	Open Base, PM02 metal trim	+7,065
PM03	Open Base, PM03 metal trim	+8,830

Step 3. Edge Selection/Finish

N __	No Edge	+0
AU __	Spinneybeck Leather: Acqua	+\$4,094
MC __	Powder Coat	+0
PM01	Polished Chrome	+2,793
PM02	Satin Nickel	+2,793
PM03	Oil Rubbed Bronze	+7,143

Step 4A. Top Finish

T1 __	Veneer Tier 1	+0
T2 __	Veneer Tier 2	+1,620
GC __	Clear Glass, back painted	+12,535
GE __	Etched matte Glass, back painted	+14,738
CS01	Corian Glacier White	+16,908
QS __	Caesarstone	Contact Rep.

Step 4B. Lower Layer Finish (Layer top only)

SL __	Satin Lacquer	+782
T __ __	Veneer Tier 1, 2, 3	+1,049
HG __	High Gloss Polyester	+1,153

Step 5. Base Finish

T1 __	Veneer Tier 1	+1,323
T2 __	Veneer Tier 2	+2,772
SL __	Satin Lacquer	+0
HG __	High Gloss Polyester	+6,054

Step 6. Power & Connectivity Access: Optional

DRHW	Drawer, Hardwired (layered edge only), Qty 6	+12,024
DRPI	Drawer, Plug In (layered edge only), Qty 6	+10,296
DRLK	Drawer, Linkable (layered edge only), Qty 6	+10,296
TMHW	Tabletop Metal lid, Hardwired, Qty 3	+13,194
TMPI	Tabletop Metal lid, Plug In, Qty 3	+11,244
TMLK	Tabletop Metal lid, Linkable, Qty 3	+9,591
TWHW	Tabletop Wood lid, Hardwired (veneer tops only), Qty 3	+12,093
TWPI	Tabletop Wood lid, Plug In (veneer tops only), Qty 3	+10,137
TWLK	Tabletop Wood lid, Linkable (veneer tops only), Qty 3	+8,493
UMHW	Undermount, Hardwired, Qty 6	+7,182
UMPI	Undermount, Plug In, Qty 6	+5,220
UMLK	Undermount, Linkable, Qty 6	+5,220
SOHW	Slide Out Power Box, Hardwired, Qty 6	+12,510
SOPI	Slide Out Power Box, Plug In, Qty 6	+10,614
SOLK	Slide Out Power Box, Linkable, Qty 6	+10,614

Step 7. Microphone and/or Grommet Accommodations: Optional

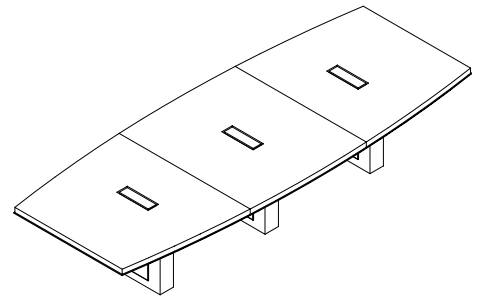
MA __	Microphone hole (factory cut)	Qty __ x 377 each
GM __	2" Grommet hole (factory cut), liner, lid, in matching metal finish	Qty __ x 496 each

Please consult [page 7](#) for the palette of DatesWeiser finishes. Natural stone, non-standard glass and veneer, and other technology options are available. Please email customerservice@datesweiser.com for a custom quote. Consult technical information on [page 298](#) for construction details and technical information.

Highline Fifty Boat Conference Table

60"x156"/ 10 Person

03B60X156



Starting Price: **\$37,322**

60x156 table, slab veneer Tier 1 top, open painted base with no metal trim, powder coat finish

Base Pattern Number: 03B60X156

Step 1. Top Material

S	Slab (veneer only)
V	Veneer layered
G	Glass layered
C	Corian layered
Q	Caesarstone layered

Step 2. Base Options

ON	Open Base, no metal trim	+ 0
MC __	Open Base, MC metal trim	+5,250
PM01	Open Base, PM01 metal trim	+7,065
PM02	Open Base, PM02 metal trim	+7,065
PM03	Open Base, PM03 metal trim	+8,830

Step 3. Edge Selection/Finish

N __	No Edge	+0
AU __	Spinneybeck Leather: Acqua	+\$4,345
MC __	Powder Coat	+0
PM01	Polished Chrome	+2,792
PM02	Satin Nickel	+2,792
PM03	Oil Rubbed Bronze	+7,142

Step 4A. Top Finish

T1 __	Veneer Tier 1	+0
T2 __	Veneer Tier 2	+1,755
GC __	Clear Glass, back painted	+13,509
GE __	Etched matte Glass, back painted	+15,895
CS01	Corian Glacier White	+18,317
QS __	Caesarstone	Contact Rep.

Step 4B. Lower Layer Finish (Layer top only)

SL __	Satin Lacquer	+873
T __ __	Veneer Tier 1, 2, 3	+1,163
HG __	High Gloss Polyester	+1,278

Step 5. Base Finish

T1 __	Veneer Tier 1	+1,323
T2 __	Veneer Tier 2	+2,772
SL __	Satin Lacquer	+0
HG __	High Gloss Polyester	+6,054

Step 6. Power & Connectivity Access: Optional

DRHW	Drawer, Hardwired (layered edge only), Qty 6	+12,024
DRPI	Drawer, Plug In (layered edge only), Qty 6	+10,296
DRLK	Drawer, Linkable (layered edge only), Qty 6	+10,296
TMHW	Tabletop Metal lid, Hardwired, Qty 3	+13,194
TMPI	Tabletop Metal lid, Plug In, Qty 3	+11,244
TMLK	Tabletop Metal lid, Linkable, Qty 3	+9,591
TWHW	Tabletop Wood lid, Hardwired (veneer tops only), Qty 3	+12,093
TWPI	Tabletop Wood lid, Plug In (veneer tops only), Qty 3	+10,137
TWLK	Tabletop Wood lid, Linkable (veneer tops only), Qty 3	+8,493
UMHW	Undermount, Hardwired, Qty 6	+7,182
UMPI	Undermount, Plug In, Qty 6	+5,220
UMLK	Undermount, Linkable, Qty 6	+5,220
SOHW	Slide Out Power Box, Hardwired, Qty 6	+12,510
SOPI	Slide Out Power Box, Plug In, Qty 6	+10,614
SOLK	Slide Out Power Box, Linkable, Qty 6	+10,614

Step 7. Microphone and/or Grommet Accommodations: Optional

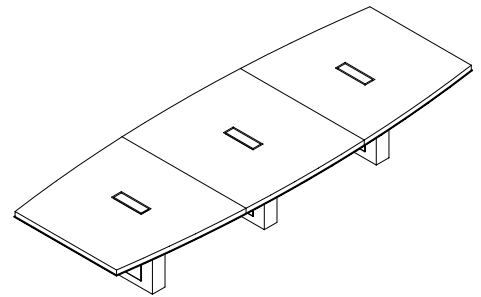
MA __	Microphone hole (factory cut)	Qty __ x 377 each
GM __	2" Grommet hole (factory cut), liner, lid, in matching metal finish	Qty __ x 496 each

Please consult [page 7](#) for the palette of DatesWeiser finishes. Natural stone, non-standard glass and veneer, and other technology options are available. Please email customerservice@datesweiser.com for a custom quote. Consult technical information on [page 298](#) for construction details and technical information.

Highline Fifty Boat Conference Table

60"x168"/ 12 Person

03B60X168



Starting Price: **\$38,667**

60x168 table, slab veneer Tier 1 top, open painted base with no metal trim, powder coat finish

Base Pattern Number: 03B60X168

Step 1. Top Material

S	Slab (veneer only)	
V	Veneer layered	
G	Glass layered	
C	Corian layered	
Q	Caesarstone layered	

Step 2. Base Options

ON	Open Base, no metal trim	+ 0
MC __	Open Base, MC metal trim	+5,250
PM01	Open Base, PM01 metal trim	+7,065
PM02	Open Base, PM02 metal trim	+7,065
PM03	Open Base, PM03 metal trim	+8,830

Step 3. Edge Selection/Finish

N __	No Edge	+0
AU __	Spinneybeck Leather: Acqua	+\$5,103
MC __	Powder Coat	+0
PM01	Polished Chrome	+2,827
PM02	Satin Nickel	+2,827
PM03	Oil Rubbed Bronze	+7,143

Step 4A. Top Finish

T1 __	Veneer Tier 1	+0
T2 __	Veneer Tier 2	+1,889
GC __	Clear Glass, back painted	+14,483
GE __	Etched matte Glass, back painted	+17,053
CS01	Corian Glacier White	+19,726
QS __	Caesarstone	Contact Rep.

Step 4B. Lower Layer Finish (Layer top only)

SL __	Satin Lacquer	+964
T __	Veneer Tier 1, 2, 3	+1,307
HG __	High Gloss Polyester	+1,438

Step 5. Base Finish

T1 __	Veneer Tier 1	+1,323
T2 __	Veneer Tier 2	+2,772
SL __	Satin Lacquer	+0
HG __	High Gloss Polyester	+6,054

Step 6. Power & Connectivity Access: Optional

DRHW	Drawer, Hardwired (layered edge only), Qty 6	+12,024
DRPI	Drawer, Plug In (layered edge only), Qty 6	+10,296
DRLK	Drawer, Linkable (layered edge only), Qty 6	+10,296
TMHW	Tabletop Metal lid, Hardwired, Qty 3	+13,194
TMPI	Tabletop Metal lid, Plug In, Qty 3	+11,244
TMLK	Tabletop Metal lid, Linkable, Qty 3	+9,591
TWHW	Tabletop Wood lid, Hardwired (veneer tops only), Qty 3	+12,093
TWPI	Tabletop Wood lid, Plug In (veneer tops only), Qty 3	+10,137
TWLK	Tabletop Wood lid, Linkable (veneer tops only), Qty 3	+8,493
UMHW	Undermount, Hardwired, Qty 6	+7,182
UMPI	Undermount, Plug In, Qty 6	+5,220
UMLK	Undermount, Linkable, Qty 6	+5,220
SOHW	Slide Out Power Box, Hardwired, Qty 6	+12,510
SOPI	Slide Out Power Box, Plug In, Qty 6	+10,614
SOLK	Slide Out Power Box, Linkable, Qty 6	+10,614

Step 7. Microphone and/or Grommet Accommodations: Optional

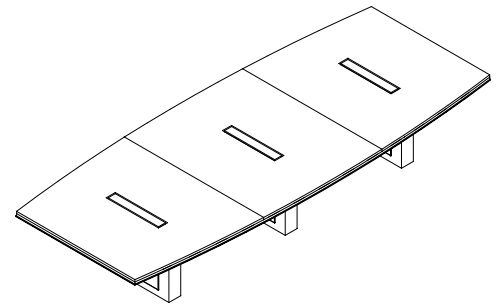
MA __	Microphone hole (factory cut)	Qty __ x 377 each
GM __	2" Grommet hole (factory cut), liner, lid, in matching metal finish	Qty __ x 496 each

Please consult [page 7](#) for the palette of DatesWeiser finishes. Natural stone, non-standard glass and veneer, and other technology options are available. Please email customerservice@datesweiser.com for a custom quote. Consult technical information on [page 298](#) for construction details and technical information.

Highline Fifty Boat Conference Table

72"x180"/ 16 Person

03B72X180



Starting Price: **\$44,577**

72x180 table, slab veneer Tier 1 top, open painted base with no metal trim, powder coat finish

Base Pattern Number: 03B72X180

Step 1. Top Material

S	Slab (veneer only)
V	Veneer layered
G	Glass layered
C	Corian layered
Q	Caesarstone layered

Step 2. Base Options

ON	Open Base, no metal trim	+ 0
MC __	Open Base, MC metal trim	+5,250
PM01	Open Base, PM01 metal trim	+7,065
PM02	Open Base, PM02 metal trim	+7,065
PM03	Open Base, PM03 metal trim	+8,830

Step 3. Edge Selection/Finish

N __	No Edge	+0
AU __	Spinneybeck Leather: Acqua	+\$5,103
MC __	Powder Coat	+0
PM01	Polished Chrome	+2,839
PM02	Satin Nickel	+2,839
PM03	Oil Rubbed Bronze	+7,143

Step 4A. Top Finish

T1 __	Veneer Tier 1	+0
T2 __	Veneer Tier 2	+2,431
GC __	Clear Glass, back painted	+18,404
GE __	Etched matte Glass, back painted	+21,709
CS01	Corian Glacier White	+25,362
QS __	Caesarstone*	Contact Rep.

Step 4B. Lower Layer Finish (Layer top only)

SL __	Satin Lacquer	+1,087
T __	Veneer Tier 1, 2, 3	+1,515
HG __	High Gloss Polyester	+1,665

Step 5. Base Finish

T1 __	Veneer Tier 1	+1,476
T2 __	Veneer Tier 2	+3,534
SL __	Satin Lacquer	+0
HG __	High Gloss Polyester	+6,816

Step 6. Power & Connectivity Access: Optional

DRHW	Drawer, Hardwired (layered edge only), Qty 8	+16,032
DRPI	Drawer, Plug In (layered edge only), Qty 8	+13,728
DRLK	Drawer, Linkable (layered edge only), Qty 8	+13,728
TMHW	Tabletop Metal lid, Hardwired, Qty 3	+16,758
TMPI	Tabletop Metal lid, Plug In, Qty 3	+14,799
TMLK	Tabletop Metal lid, Linkable, Qty 3	+14,799
TWHW	Tabletop Wood lid, Hardwired (veneer tops only), Qty 3	+14,886
TWPI	Tabletop Wood lid, Plug In (veneer tops only), Qty 3	+12,861
TWLK	Tabletop Wood lid, Linkable (veneer tops only), Qty 3	+12,861
UMHW	Undermount, Hardwired, Qty 8	+9,576
UMPI	Undermount, Plug In, Qty 8	+6,960
UMLK	Undermount, Linkable, Qty 8	+6,960
SOHW	Slide Out Power Box, Hardwired, Qty 8	+16,680
SOPI	Slide Out Power Box, Plug In, Qty 8	+14,152
SOLK	Slide Out Power Box, Linkable, Qty 8	+14,152

Step 7. Microphone and/or Grommet Accommodations: Optional

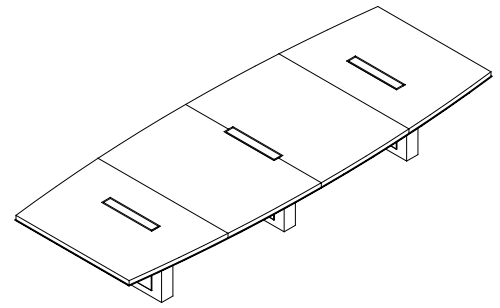
MA __	Microphone hole (factory cut)	Qty __ x 377 each
GM __	2" Grommet hole (factory cut), liner, lid, in matching metal finish	Qty __ x 496 each

Please consult [page 7](#) for the palette of DatesWeiser finishes. Natural stone, non-standard glass and veneer, and other technology options are available. Please email customerservice@datesweiser.com for a custom quote. Consult technical information on [page 298](#) for construction details and technical information.

Highline Fifty Boat Conference Table

72"x192" / 16 Person

03B72X192



Starting Price: **\$50,226**

72x192 table, slab veneer Tier 1 top, open painted base with no metal trim, powder coat finish

Base Pattern Number: 03B72X192

Step 1. Top Material

S	Slab (veneer only)	
V	Veneer layered	
G	Glass layered	
C	Corian layered	
Q	Caesarstone layered	

Step 2. Base Options

ON	Open Base, no metal trim	+ 0
MC __	Open Base, MC metal trim	+5,250
PM01	Open Base, PM01 metal trim	+7,065
PM02	Open Base, PM02 metal trim	+7,065
PM03	Open Base, PM03 metal trim	+8,830

Step 3. Edge Selection/Finish

N __	No Edge	+0
AU __	Spinneybeck Leather: Acqua	+\$5,358
MC __	Powder Coat	+0
PM01	Polished Chrome	+3,332
PM02	Satin Nickel	+3,332
PM03	Oil Rubbed Bronze	+8,713

Step 4A. Top Finish

T1 __	Veneer Tier 1	+0
T2 __	Veneer Tier 2	+2,593
GC __	Clear Glass, back painted	+19,745
GE __	Etched matte Glass, back painted	+23,269
CS01	Corian Glacier White	+27,053
QS __	Caesarstone	Contact Rep.

Step 4B. Lower Layer Finish (Layer top only)

SL __	Satin Lacquer	+1,178
T __ __	Veneer Tier 1, 2, 3	+1,527
HG __	High Gloss Polyester	+1,681

Step 5. Base Finish

T1 __	Veneer Tier 1	+1,476
T2 __	Veneer Tier 2	+3,534
SL __	Satin Lacquer	+0
HG __	High Gloss Polyester	+6,816

Step 6. Power & Connectivity Access: Optional

DRHW	Drawer, Hardwired (layered edge only), Qty 8	+16,032
DRPI	Drawer, Plug In (layered edge only), Qty 8	+13,728
DRLK	Drawer, Linkable (layered edge only), Qty 8	+13,728
TMHW	Tabletop Metal lid, Hardwired, Qty 3	+16,758
TMPI	Tabletop Metal lid, Plug In, Qty 3	+14,799
TMLK	Tabletop Metal lid, Linkable, Qty 3	+14,799
TWHW	Tabletop Wood lid, Hardwired (veneer tops only), Qty 3	+14,886
TWPI	Tabletop Wood lid, Plug In (veneer tops only), Qty 3	+12,861
TWLK	Tabletop Wood lid, Linkable (veneer tops only), Qty 3	+12,861
UMHW	Undermount, Hardwired, Qty 8	+9,576
UMPI	Undermount, Plug In, Qty 8	+6,960
UMLK	Undermount, Linkable, Qty 8	+6,960
SOHW	Slide Out Power Box, Hardwired, Qty 8	+16,680
SOPI	Slide Out Power Box, Plug In, Qty 8	+14,152
SOLK	Slide Out Power Box, Linkable, Qty 8	+14,152

Step 7. Microphone and/or Grommet Accommodations: Optional

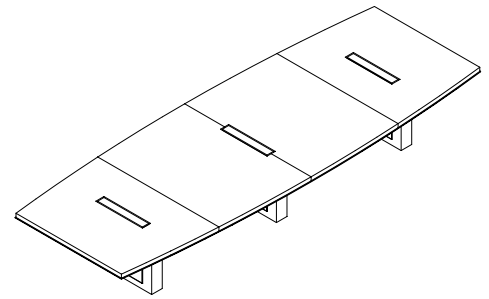
MA __	Microphone hole (factory cut)	Qty __ x 377 each
GM __	2" Grommet hole (factory cut), liner, lid, in matching metal finish	Qty __ x 496 each

Please consult [page 7](#) for the palette of DatesWeiser finishes. Natural stone, non-standard glass and veneer, and other technology options are available. Please email customerservice@datesweiser.com for a custom quote. Consult technical information on [page 298](#) for construction details and technical information.

Highline Fifty Boat Conference Table

72"x204"/ 16 Person

03B72X204



Starting Price: **\$51,798**

72x204 table, slab veneer Tier 1 top, open painted base with no metal trim, powder coat finish

Base Pattern Number: 03B72X204

Step 1. Top Material

S	Slab (veneer only)
V	Veneer layered
G	Glass layered
C	Corian layered
Q	Caesarstone layered

Step 2. Base Options

ON	Open Base, no metal trim	+ 0
MC __	Open Base, MC metal trim	+5,250
PM01	Open Base, PM01 metal trim	+7,065
PM02	Open Base, PM02 metal trim	+7,065
PM03	Open Base, PM03 metal trim	+8,830

Step 3. Edge Selection/Finish

N __	No Edge	+0
AU __	Spinneybeck Leather: Acqua	+\$5,611
MC __	Powder Coat	+0
PM01	Polished Chrome	+3,332
PM02	Satin Nickel	+3,332
PM03	Oil Rubbed Bronze	+8,713

Step 4A. Top Finish

T1 __	Veneer Tier 1	+0
T2 __	Veneer Tier 2	+2,754
GC __	Clear Glass, back painted	+20,913
GE __	Etched matte Glass, back painted	+24,658
CS01	Corian Glacier White	+28,744
QS __	Caesarstone	Contact Rep.

Step 4B. Lower Layer Finish (Layer top only)

SL __	Satin Lacquer	+1,289
T __	Veneer Tier 1, 2, 3	+1,707
HG __	High Gloss Polyester	+1,880

Step 5. Base Finish

T1 __	Veneer Tier 1	+1,476
T2 __	Veneer Tier 2	+3,534
SL __	Satin Lacquer	+0
HG __	High Gloss Polyester	+6,816

Step 6. Power & Connectivity Access: Optional

DRHW	Drawer, Hardwired (layered edge only), Qty 8	+16,032
DRPI	Drawer, Plug In (layered edge only), Qty 8	+13,728
DRLK	Drawer, Linkable (layered edge only), Qty 8	+13,728
TMHW	Tabletop Metal lid, Hardwired, Qty 3	+16,758
TMPI	Tabletop Metal lid, Plug In, Qty 3	+14,799
TMLK	Tabletop Metal lid, Linkable, Qty 3	+14,799
TWHW	Tabletop Wood lid, Hardwired (veneer tops only), Qty 3	+14,886
TWPI	Tabletop Wood lid, Plug In (veneer tops only), Qty 3	+12,861
TWLK	Tabletop Wood lid, Linkable (veneer tops only), Qty 3	+12,861
UMHW	Undermount, Hardwired, Qty 8	+9,576
UMPI	Undermount, Plug In, Qty 8	+6,960
UMLK	Undermount, Linkable, Qty 8	+6,960
SOHW	Slide Out Power Box, Hardwired, Qty 8	+16,680
SOPI	Slide Out Power Box, Plug In, Qty 8	+14,152
SOLK	Slide Out Power Box, Linkable, Qty 8	+14,152

Step 7. Microphone and/or Grommet Accommodations: Optional

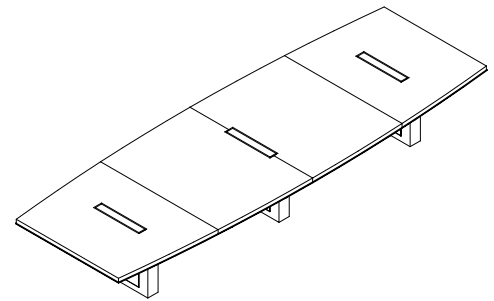
MA __	Microphone hole (factory cut)	Qty __ x 377 each
GM __	2" Grommet hole (factory cut), liner, lid, in matching metal finish	Qty __ x 496 each

Please consult [page 7](#) for the palette of DatesWeiser finishes. Natural stone, non-standard glass and veneer, and other technology options are available. Please email customerservice@datesweiser.com for a custom quote. Consult technical information on [page 298](#) for construction details and technical information.

Highline Fifty Boat Conference Table

72"x216"/ 18 Person

03B72X216



Starting Price: **\$53,487**

72x216 table, slab veneer Tier 1 top, open painted base with no metal trim, powder coat finish

Base Pattern Number: 03B72X216

Step 1. Top Material

S	Slab (veneer only)	
V	Veneer layered	
G	Glass layered	
C	Corian layered	
Q	Caesarstone layered	

Step 2. Base Options

ON	Open Base, no metal trim	+ 0
MC __	Open Base, MC metal trim	+5,250
PM01	Open Base, PM01 metal trim	+7,065
PM02	Open Base, PM02 metal trim	+7,065
PM03	Open Base, PM03 metal trim	+8,830

Step 3. Edge Selection/Finish

N __	No Edge	+0
AU __	Spinneybeck Leather: Acqua	+\$5,863
MC __	Powder Coat	+0
PM01	Polished Chrome	+3,332
PM02	Satin Nickel	+3,332
PM03	Oil Rubbed Bronze	+8,759

Step 4A. Top Finish

T1 __	Veneer Tier 1	+0
T2 __	Veneer Tier 2	+2,916
GC __	Clear Glass, back painted	+22,085
GE __	Etched matte Glass, back painted	+26,050
CS01	Corian Glacier White	+30,434
QS __	Caesarstone	Contact Rep.

Step 4B. Lower Layer Finish (Layer top only)

SL __	Satin Lacquer	+1,345
T __ __	Veneer Tier 1, 2, 3	+1,740
HG __	High Gloss Polyester	+1,917

Step 5. Base Finish

T1 __	Veneer Tier 1	+1,476
T2 __	Veneer Tier 2	+3,534
SL __	Satin Lacquer	+0
HG __	High Gloss Polyester	+6,816

Step 6. Power & Connectivity Access: Optional

DRHW	Drawer, Hardwired (layered edge only), Qty 8	+16,032
DRPI	Drawer, Plug In (layered edge only), Qty 8	+13,728
DRLK	Drawer, Linkable (layered edge only), Qty 8	+13,728
TMHW	Tabletop Metal lid, Hardwired, Qty 3	+16,758
TMPI	Tabletop Metal lid, Plug In, Qty 3	+14,799
TMLK	Tabletop Metal lid, Linkable, Qty 3	+14,799
TWHW	Tabletop Wood lid, Hardwired (veneer tops only), Qty 3	+14,886
TWPI	Tabletop Wood lid, Plug In (veneer tops only), Qty 3	+12,861
TWLK	Tabletop Wood lid, Linkable (veneer tops only), Qty 3	+12,861
UMHW	Undermount, Hardwired, Qty 8	+9,576
UMPI	Undermount, Plug In, Qty 8	+6,960
UMLK	Undermount, Linkable, Qty 8	+6,960
SOHW	Slide Out Power Box, Hardwired, Qty 8	+16,680
SOPI	Slide Out Power Box, Plug In, Qty 8	+14,152
SOLK	Slide Out Power Box, Linkable, Qty 8	+14,152

Step 7. Microphone and/or Grommet Accommodations: Optional

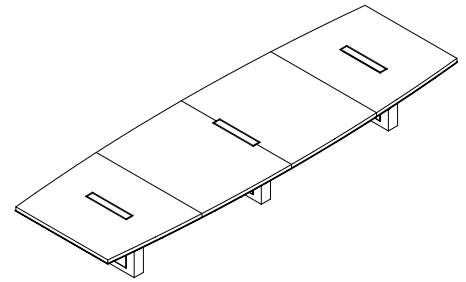
MA __	Microphone hole (factory cut)	Qty __ x 377 each
GM __	2" Grommet hole (factory cut), liner, lid, in matching metal finish	Qty __ x 496 each

Please consult [page 7](#) for the palette of DatesWeiser finishes. Natural stone, non-standard glass and veneer, and other technology options are available. Please email customerservice@datesweiser.com for a custom quote. Consult technical information on [page 298](#) for construction details and technical information.

Highline Fifty Boat Conference Table

72"x228"/ 18 Person

03B72X228



Starting Price: **\$57,516**

72x228 table, slab veneer Tier 1 top, open painted base with no metal trim, powder coat finish

Base Pattern Number: 03B72X228

Step 1. Top Material

S	Slab (veneer only)
V	Veneer layered
G	Glass layered
C	Corian layered
Q	Caesarstone layered

Step 2. Base Options

ON	Open Base, no metal trim	+ 0
MC __	Open Base, MC metal trim	+5,250
PM01	Open Base, PM01 metal trim	+7,065
PM02	Open Base, PM02 metal trim	+7,065
PM03	Open Base, PM03 metal trim	+8,830

Step 3. Edge Selection/Finish

N __	No Edge	+0
AU __	Spinneybeck Leather: Acqua	+\$6,115
MC __	Powder Coat	+0
PM01	Polished Chrome	+3,378
PM02	Satin Nickel	+3,378
PM03	Oil Rubbed Bronze	+8,759

Step 4A. Top Finish

T1 __	Veneer Tier 1	+0
T2 __	Veneer Tier 2	+3,078
GC __	Clear Glass, back painted	+23,356
GE __	Etched matte Glass, back painted	+25,304
CS01	Corian Glacier White	+32,125
QS __	Caesarstone*	Contact Rep.

Step 4B. Lower Layer Finish (Layer top only)

SL __	Satin Lacquer	+1,354
T __ __	Veneer Tier 1, 2, 3	+1,837
HG __	High Gloss Polyester	+2,020

Step 5. Base Finish

T1 __	Veneer Tier 1	+1,476
T2 __	Veneer Tier 2	+3,534
SL __	Satin Lacquer	+0
HG __	High Gloss Polyester	+6,816

Step 6. Power & Connectivity Access: Optional

DRHW	Drawer, Hardwired (layered edge only), Qty 8	+16,032
DRPI	Drawer, Plug In (layered edge only), Qty 8	+13,728
DRLK	Drawer, Linkable (layered edge only), Qty 8	+13,728
TMHW	Tabletop Metal lid, Hardwired, Qty 3	+16,758
TMPI	Tabletop Metal lid, Plug In, Qty 3	+14,799
TMLK	Tabletop Metal lid, Linkable, Qty 3	+14,799
TWHW	Tabletop Wood lid, Hardwired (veneer tops only), Qty 3	+14,886
TWPI	Tabletop Wood lid, Plug In (veneer tops only), Qty 3	+12,861
TWLK	Tabletop Wood lid, Linkable (veneer tops only), Qty 3	+12,861
UMHW	Undermount, Hardwired, Qty 8	+9,576
UMPI	Undermount, Plug In, Qty 8	+6,960
UMLK	Undermount, Linkable, Qty 8	+6,960
SOHW	Slide Out Power Box, Hardwired, Qty 8	+16,680
SOPI	Slide Out Power Box, Plug In, Qty 8	+14,152
SOLK	Slide Out Power Box, Linkable, Qty 8	+14,152

Step 7. Microphone and/or Grommet Accommodations: Optional

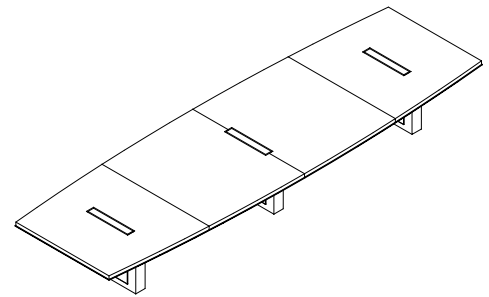
MA __	Microphone hole (factory cut)	Qty __ x 377 each
GM __	2" Grommet hole (factory cut), liner, lid, in matching metal finish	Qty __ x 496 each

Please consult [page 7](#) for the palette of DatesWeiser finishes. Natural stone, non-standard glass and veneer, and other technology options are available. Please email customerservice@datesweiser.com for a custom quote. Consult technical information on [page 298](#) for construction details and technical information.

Highline Fifty Boat Conference Table

72"x240"/ 20 Person

03B72X240



Starting Price: **\$59,007**

72x240 table, slab veneer Tier 1 top, open painted base with no metal trim, powder coat finish

Base Pattern Number: 03B72X240

Step 1. Top Material

S	Slab (veneer only)	
V	Veneer layered	
G	Glass layered	
C	Corian layered	
Q	Caesarstone layered	

Step 2. Base Options

ON	Open Base, no metal trim	+ 0
MC __	Open Base, MC metal trim	+5,250
PM01	Open Base, PM01 metal trim	+7,065
PM02	Open Base, PM02 metal trim	+7,065
PM03	Open Base, PM03 metal trim	+8,830

Step 3. Edge Selection/Finish

N __	No Edge	+0
AU __	Spinneybeck Leather: Acqua	+\$6,370
MC __	Powder Coat	+0
PM01	Polished Chrome	+3,378
PM02	Satin Nickel	+3,378
PM03	Oil Rubbed Bronze	+8,759

Step 4A. Top Finish

T1 __	Veneer Tier 1	+0
T2 __	Veneer Tier 2	+3,241
GC __	Clear Glass, back painted	+24,522
GE __	Etched matte Glass, back painted	+28,927
CS01	Corian Glacier White	+33,816
QS __	Caesarstone*	Contact Rep.

Step 4B. Lower Layer Finish (Layer top only)

SL __	Satin Lacquer	+1,469
T __ __	Veneer Tier 1, 2, 3	+1,917
HG __	High Gloss Polyester	+2,107

Step 5. Base Finish

T1 __	Veneer Tier 1	+1,476
T2 __	Veneer Tier 2	+3,534
SL __	Satin Lacquer	+0
HG __	High Gloss Polyester	+6,816

Step 6. Power & Connectivity Access: Optional

DRHW	Drawer, Hardwired (layered edge only), Qty 10	+20,040
DRPI	Drawer, Plug In (layered edge only), Qty 10	+17,160
DRLK	Drawer, Linkable (layered edge only), Qty 10	+17,160
TMHW	Tabletop Metal lid, Hardwired, Qty 3	+16,758
TMPI	Tabletop Metal lid, Plug In, Qty 3	+14,799
TMLK	Tabletop Metal lid, Linkable, Qty 3	+14,799
TWHW	Tabletop Wood lid, Hardwired (veneer tops only), Qty 3	+14,886
TWPI	Tabletop Wood lid, Plug In (veneer tops only), Qty 3	+12,861
TWLK	Tabletop Wood lid, Linkable (veneer tops only), Qty 3	+12,861
UMHW	Undermount, Hardwired, Qty 10	+11,970
UMPI	Undermount, Plug In, Qty 10	+8,700
UMLK	Undermount, Linkable, Qty 10	+8,700
SOHW	Slide Out Power Box, Hardwired, Qty 10	+20,850
SOPI	Slide Out Power Box, Plug In, Qty 10	+17,690
SOLK	Slide Out Power Box, Linkable, Qty 10	+17,690

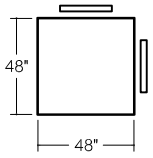
Step 7. Microphone and/or Grommet Accommodations: Optional

MA __	Microphone hole (factory cut)	Qty __ x 377 each
GM __	2" Grommet hole (factory cut), liner, lid, in matching metal finish	Qty __ x 496 each

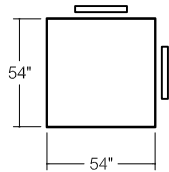
Please consult [page 7](#) for the palette of DatesWeiser finishes. Natural stone, non-standard glass and veneer, and other technology options are available. Please email customerservice@datesweiser.com for a custom quote. Consult technical information on [page 298](#) for construction details and technical information.

Highline Fifty Square and Round Meeting Tables Index

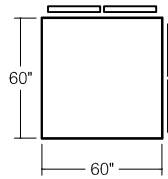
48"-72" width



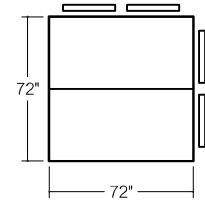
03M48S
4 Person Table



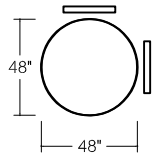
03M54S
4 Person Table



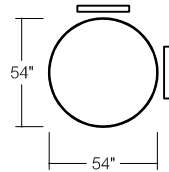
03M60S
8 Person Table



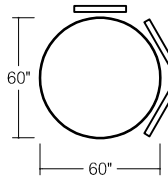
03M72S
8 Person Table



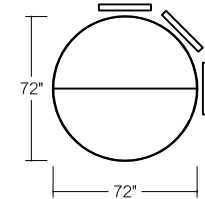
03M48C
4 Person Table



03M54C
4 Person Table



03M60C
6 Person Table

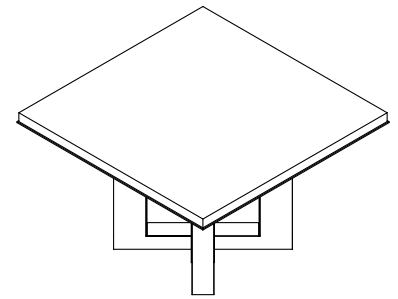


03M72C
8 Person Table

Highline Fifty Square Meeting Table

48"x48"/ 4 Person

03M48S



Starting Price: 14,920

48x48 table, slab veneer Tier 1 top, open painted base with no metal trim, powder coat finish

Base Pattern Number: 03M48S

Step 1. Top Material

S	Slab (veneer only)	
V	Veneer layered	
G	Glass layered	
C	Corian layered	
Q	Caesarstone layered	

Step 2. Base Options

ON	Open Base, no metal trim	+ 0
MC __	Open Base, MC metal trim	+5,031
PM01	Open Base, PM01 metal trim	+5,414
PM02	Open Base, PM02 metal trim	+5,414
PM03	Open Base, PM03 metal trim	+6,737

Step 3. Edge Selection/Finish

N __	No Edge	+0
AU __	Spinneybeck Leather: Acqua	+\$1,616
MC __	Powder Coat	+0
PM01	Polished Chrome	+1,431
PM02	Satin Nickel	+1,431
PM03	Oil Rubbed Bronze	+3,572

Step 4A. Top Finish

T1 __	Veneer Tier 1	+0
T2 __	Veneer Tier 2	+432
GC __	Clear Glass, back painted	+2,569
GE __	Etched matte Glass, back painted	+2,961
CS01	Corian Glacier White	+2,724
QS __	Caesarstone	Contact Rep.

Step 4B. Lower Layer Finish (Layer top only)

SL __	Satin Lacquer	+247
T __ __	Veneer Tier 1, 2, 3	+374
HG __	High Gloss Polyester	+374

Step 5. Base Finish

T1 __	Veneer Tier 1	+1,551
T2 __	Veneer Tier 2	+2,670
SL __	Satin Lacquer	+0
HG __	High Gloss Polyester	+5,331

Step 6. Power & Connectivity Access: Optional

DRHW	Drawer, Hardwired (layered edge only), Qty 4	+8,016
DRPI	Drawer, Plug In (layered edge only), Qty 4	+6,864
DRLK	Drawer, Linkable (layered edge only), Qty 4	+6,864
TMHW	Tabletop Metal lid, Hardwired, Qty 1	+3,694
TMPI	Tabletop Metal lid, Plug In, Qty 1	+2,880
TMLK	Tabletop Metal lid, Linkable, Qty 1	+2,880
TWHW	Tabletop Wood lid, Hardwired (veneer tops only), Qty 1	+4,654
TWPI	Tabletop Wood lid, Plug In (veneer tops only), Qty 1	+3,628
TWLK	Tabletop Wood lid, Linkable (veneer tops only), Qty 1	+3,628
UMHW	Undermount, Hardwired, Qty 4	+4,788
UMPI	Undermount, Plug In, Qty 4	+3,480
UMLK	Undermount, Linkable, Qty 4	+3,480
SOHW	Slide Out Power Box, Hardwired, Qty 4	+8,340
SOPI	Slide Out Power Box, Plug In, Qty 4	+7,076
SOLK	Slide Out Power Box, Linkable, Qty 4	+7,076

Step 7. Microphone and/or Grommet Accommodations: Optional

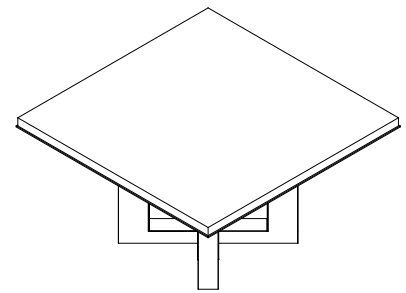
MA __	Microphone hole (factory cut)	Qty __ x 377 each
GM __	2" Grommet hole (factory cut), liner, lid, in matching metal finish	Qty __ x 496 each

Please consult [page 7](#) for the palette of DatesWeiser finishes. Natural stone, non-standard glass and veneer, and other technology options are available. Please email customerservice@datesweiser.com for a custom quote. Consult technical information on [page 308](#) for construction details and technical information.

Highline Fifty Square Meeting Table

54"x54"/ 4 Person

03M54S



Starting Price: **\$16,082**

54x54 table, slab veneer Tier 1 top, open painted base with no metal trim, powder coat finish

Base Pattern Number: 03M54S

Step 1. Top Material

S	Slab (veneer only)	
V	Veneer layered	
G	Glass layered	
C	Corian layered	
Q	Caesarstone layered	

Step 2. Base Options

ON	Open Base, no metal trim	+ 0
MC __	Open Base, MC metal trim	+5,031
PM01	Open Base, PM01 metal trim	+5,414
PM02	Open Base, PM02 metal trim	+5,414
PM03	Open Base, PM03 metal trim	+6,737

Step 3. Edge Selection/Finish

N __	No Edge	+0
AU __	Spinneybeck Leather: Acqua	+\$1,817
MC __	Powder Coat	+0
PM01	Polished Chrome	+1,535
PM02	Satin Nickel	+1,535
PM03	Oil Rubbed Bronze	+3,617

Step 4A. Top Finish

T1 __	Veneer Tier 1	+0
T2 __	Veneer Tier 2	+547
GC __	Clear Glass, back painted	+3,132
GE __	Etched matte Glass, back painted	+3,628
CS01	Corian Glacier White	+3,447
QS __	Caesarstone	Contact Rep.

Step 4B. Lower Layer Finish (Layer top only)

SL __	Satin Lacquer	+265
T ___	Veneer Tier 1, 2, 3	+432
HG __	High Gloss Polyester	+432

Step 5. Base Finish

T1 __	Veneer Tier 1	+1,551
T2 __	Veneer Tier 2	+2,670
SL __	Satin Lacquer	+0
HG __	High Gloss Polyester	+5,331

Step 6. Power & Connectivity Access: Optional

DRHW	Drawer, Hardwired (layered edge only), Qty 4	+8,016
DRPI	Drawer, Plug In (layered edge only), Qty 4	+6,864
DRLK	Drawer, Linkable (layered edge only), Qty 4	+6,864
TMHW	Tabletop Metal lid, Hardwired, Qty 1	+3,694
TMPI	Tabletop Metal lid, Plug In, Qty 1	+2,880
TMLK	Tabletop Metal lid, Linkable, Qty 1	+2,880
TWHW	Tabletop Wood lid, Hardwired (veneer tops only), Qty 1	+4,654
TWPI	Tabletop Wood lid, Plug In (veneer tops only), Qty 1	+3,628
TWLK	Tabletop Wood lid, Linkable (veneer tops only), Qty 1	+3,628
UMHW	Undermount, Hardwired, Qty 4	+4,788
UMPI	Undermount, Plug In, Qty 4	+3,480
UMLK	Undermount, Linkable, Qty 4	+3,480
SOHW	Slide Out Power Box, Hardwired, Qty 4	+8,340
SOPI	Slide Out Power Box, Plug In, Qty 4	+7,076
SOLK	Slide Out Power Box, Linkable, Qty 4	+7,076

Step 7. Microphone and/or Grommet Accommodations: Optional

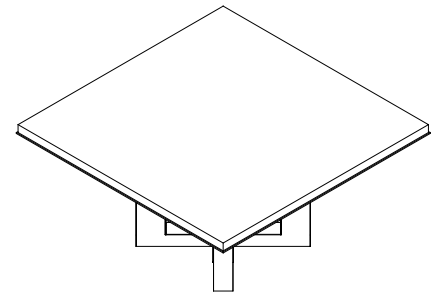
MA __	Microphone hole (factory cut)	Qty __ x 377 each
GM __	2" Grommet hole (factory cut), liner, lid, in matching metal finish	Qty __ x 496 each

Please consult [page 7](#) for the palette of DatesWeiser finishes. Natural stone, non-standard glass and veneer, and other technology options are available. Please email customerservice@datesweiser.com for a custom quote. Consult technical information on [page 308](#) for construction details and technical information.

Highline Fifty Square Meeting Table

60"x60"/ 8 Person

03M60S



Starting Price: **\$17,126**

60x60 table, slab veneer Tier 1 top, open painted base with no metal trim, powder coat finish

Base Pattern Number: 03M60S

Step 1. Top Material

S	Slab (veneer only)	
V	Veneer layered	
G	Glass layered	
C	Corian layered	
Q	Caesarstone layered	

Step 2. Base Options

ON	Open Base, no metal trim	+ 0
MC __	Open Base, MC metal trim	+5,031
PM01	Open Base, PM01 metal trim	+5,414
PM02	Open Base, PM02 metal trim	+5,414
PM03	Open Base, PM03 metal trim	+6,737

Step 3. Edge Selection/Finish

N __	No Edge	+0
AU __	Spinneybeck Leather: Acqua	+\$2,019
MC __	Powder Coat	+0
PM01	Polished Chrome	+1,419
PM02	Satin Nickel	+1,419
PM03	Oil Rubbed Bronze	+3,572

Step 4A. Top Finish

T1 __	Veneer Tier 1	+0
T2 __	Veneer Tier 2	+675
GC __	Clear Glass, back painted	+3,753
GE __	Etched matte Glass, back painted	+4,365
CS01	Corian Glacier White	+4,257
QS __	Caesarstone*	Contact Rep.

Step 4B. Lower Layer Finish (Layer top only)

SL __	Satin Lacquer	+356
T ___	Veneer Tier 1, 2, 3	+518
HG __	High Gloss Polyester	+518

Step 5. Base Finish

T1 __	Veneer Tier 1	+1,716
T2 __	Veneer Tier 2	+2,965
SL __	Satin Lacquer	+0
HG __	High Gloss Polyester	+5,902

Step 6. Power & Connectivity Access: Optional

DRHW	Drawer, Hardwired (layered edge only), Qty 4	+8,016
DRPI	Drawer, Plug In (layered edge only), Qty 4	+6,864
DRLK	Drawer, Linkable (layered edge only), Qty 4	+6,864
TMHW	Tabletop Metal lid, Hardwired, Qty 1	+3,694
TMPI	Tabletop Metal lid, Plug In, Qty 1	+2,880
TMLK	Tabletop Metal lid, Linkable, Qty 1	+2,880
TWHW	Tabletop Wood lid, Hardwired (veneer tops only), Qty 1	+4,654
TWPI	Tabletop Wood lid, Plug In (veneer tops only), Qty 1	+3,628
TWLK	Tabletop Wood lid, Linkable (veneer tops only), Qty 1	+3,628
UMHW	Undermount, Hardwired, Qty 4	+4,788
UMPI	Undermount, Plug In, Qty 4	+3,480
UMLK	Undermount, Linkable, Qty 4	+3,480
SOHW	Slide Out Power Box, Hardwired, Qty 4	+8,340
SOPI	Slide Out Power Box, Plug In, Qty 4	+7,076
SOLK	Slide Out Power Box, Linkable, Qty 4	+7,076

Step 7. Microphone and/or Grommet Accommodations: Optional

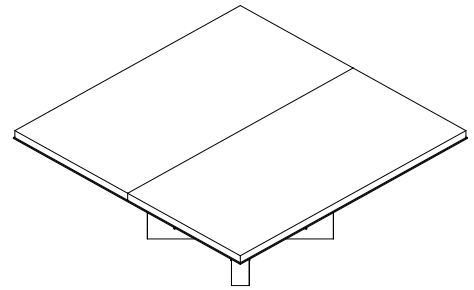
MA __	Microphone hole (factory cut)	Qty __ x 377 each
GM __	2" Grommet hole (factory cut), liner, lid, in matching metal finish	Qty __ x 496 each

Please consult [page 7](#) for the palette of DatesWeiser finishes. Natural stone, non-standard glass and veneer, and other technology options are available. Please email customerservice@datesweiser.com for a custom quote. Consult technical information on [page 308](#) for construction details and technical information.

Highline Fifty Square Meeting Table

72"x72"/ 8 Person

03M72S



Starting Price: **\$20,508**

72x72 table, slab veneer Tier 1 top, open painted base with no metal trim, powder coat finish

Base Pattern Number: 03M72S

Step 1. Top Material

S	Slab (veneer only)	
V	Veneer layered	
G	Glass layered	
C	Corian layered	
Q	Caesarstone layered	

Step 2. Base Options

ON	Open Base, no metal trim	+ 0
MC __	Open Base, MC metal trim	+5,031
PM01	Open Base, PM01 metal trim	+5,414
PM02	Open Base, PM02 metal trim	+5,414
PM03	Open Base, PM03 metal trim	+6,737

Step 3. Edge Selection/Finish

N __	No Edge	+0
AU __	Spinneybeck Leather: Acqua	+\$2,423
MC __	Powder Coat	+0
PM01	Polished Chrome	+1,214
PM02	Satin Nickel	+1,214
PM03	Oil Rubbed Bronze	+3,250

Step 4A. Top Finish

T1 __	Veneer Tier 1	+0
T2 __	Veneer Tier 2	+972
GC __	Clear Glass, back painted	+5,228
GE __	Etched matte Glass, back painted	+6,110
CS01	Corian Glacier White	+6,129
QS __	Caesarstone	Contact Rep.

Step 4B. Lower Layer Finish (Layer top only)

SL __	Satin Lacquer	+460
T ___	Veneer Tier 1, 2, 3	+653
HG __	High Gloss Polyester	+653

Step 5. Base Finish

T1 __	Veneer Tier 1	+1,716
T2 __	Veneer Tier 2	+2,965
SL __	Satin Lacquer	+0
HG __	High Gloss Polyester	+5,902

Step 6. Power & Connectivity Access: Optional

DRHW	Drawer, Hardwired (layered edge only), Qty 4	+8,016
DRPI	Drawer, Plug In (layered edge only), Qty 4	+6,864
DRLK	Drawer, Linkable (layered edge only), Qty 4	+6,864
TMHW	Tabletop Metal lid, Hardwired, Qty 1	+3,694
TMPI	Tabletop Metal lid, Plug In, Qty 1	+2,880
TMLK	Tabletop Metal lid, Linkable, Qty 1	+2,880
TWHW	Tabletop Wood lid, Hardwired (veneer tops only), Qty 1	+4,654
TWPI	Tabletop Wood lid, Plug In (veneer tops only), Qty 1	+3,628
TWLK	Tabletop Wood lid, Linkable (veneer tops only), Qty 1	+3,628
UMHW	Undermount, Hardwired, Qty 4	+4,788
UMPI	Undermount, Plug In, Qty 4	+3,480
UMLK	Undermount, Linkable, Qty 4	+3,480
SOHW	Slide Out Power Box, Hardwired, Qty 4	+8,340
SOPI	Slide Out Power Box, Plug In, Qty 4	+7,076
SOLK	Slide Out Power Box, Linkable, Qty 4	+7,076

Step 7. Microphone and/or Grommet Accommodations: Optional

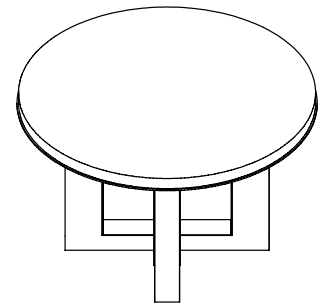
MA __	Microphone hole (factory cut)	Qty __ x 377 each
GM __	2" Grommet hole (factory cut), liner, lid, in matching metal finish	Qty __ x 496 each

Please consult [page 7](#) for the palette of DatesWeiser finishes. Natural stone, non-standard glass and veneer, and other technology options are available. Please email customerservice@datesweiser.com for a custom quote. Consult technical information on [page 308](#) for construction details and technical information.

Highline Fifty Round Meeting Table

48"/ 4 Person

03M48C



Starting Price: \$17,594

48" table, slab veneer Tier 1 top, open painted base with no metal trim, powder coat finish

Base Pattern Number: 03M48C

Step 1. Top Material

S	Slab (veneer only)	
V	Veneer layered	
G	Glass layered	
C	Corian layered	
Q	Caesarstone layered	

Step 2. Base Options

ON	Open Base, no metal trim	+ 0
MC __	Open Base, MC metal trim	+5,031
PM01	Open Base, PM01 metal trim	+5,414
PM02	Open Base, PM02 metal trim	+5,414
PM03	Open Base, PM03 metal trim	+6,737

Step 3. Edge Selection/Finish

N __	No Edge	+0
AU __	Spinneybeck Leather: Acqua	+\$1,593
MC __	Powder Coat	+0
PM01	Polished Chrome	+343
PM02	Satin Nickel	+343
PM03	Oil Rubbed Bronze	+2,107

Step 4A. Top Finish

T1 __	Veneer Tier 1	+0
T2 __	Veneer Tier 2	+432
GC __	Clear Glass, back painted	+3,680
GE __	Etched matte Glass, back painted	+4,267
CS01	Corian Glacier White	+4,508
QS __	Caesarstone	Contact Rep.

Step 4B. Lower Layer Finish (Layer top only)

SL __	Satin Lacquer	+240
T ___	Veneer Tier 1, 2, 3	+370
HG __	High Gloss Polyester	+370

Step 5. Base Finish

T1 __	Veneer Tier 1	+1,551
T2 __	Veneer Tier 2	+2,670
SL __	Satin Lacquer	+0
HG __	High Gloss Polyester	+5,331

Step 6. Power & Connectivity Access: Optional

DRHW	Drawer, Hardwired (layered edge only), Qty 4	+8,016
DRPI	Drawer, Plug In (layered edge only), Qty 4	+6,864
DRLK	Drawer, Linkable (layered edge only), Qty 4	+6,864
TMHW	Tabletop Metal lid, Hardwired, Qty 1	+3,694
TMPI	Tabletop Metal lid, Plug In, Qty 1	+2,880
TMLK	Tabletop Metal lid, Linkable, Qty 1	+2,880
TWHW	Tabletop Wood lid, Hardwired (veneer tops only), Qty 1	+4,654
TWPI	Tabletop Wood lid, Plug In (veneer tops only), Qty 1	+3,628
TWLK	Tabletop Wood lid, Linkable (veneer tops only), Qty 1	+3,628
UMHW	Undermount, Hardwired, Qty 4	+4,788
UMPI	Undermount, Plug In, Qty 4	+3,480
UMLK	Undermount, Linkable, Qty 4	+3,480
SOHW	Slide Out Power Box, Hardwired, Qty 4	+8,340
SOPI	Slide Out Power Box, Plug In, Qty 4	+7,076
SOLK	Slide Out Power Box, Linkable, Qty 4	+7,076

Step 7. Microphone and/or Grommet Accommodations: Optional

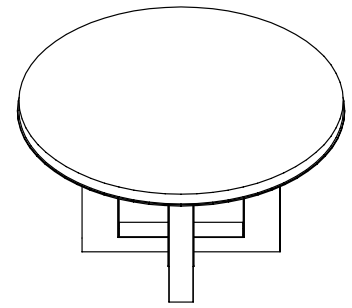
MA __	Microphone hole (factory cut)	Qty __ x 377 each
GM __	2" Grommet hole (factory cut), liner, lid, in matching metal finish	Qty __ x 496 each

Please consult [page 7](#) for the palette of DatesWeiser finishes. Natural stone, non-standard glass and veneer, and other technology options are available. Please email customerservice@datesweiser.com for a custom quote. Consult technical information on [page 308](#) for construction details and technical information.

Highline Fifty Round Meeting Table

54"/ 4 Person

03M54C



Starting Price: **\$19,503**

54" table, slab veneer Tier 1 top, open painted base with no metal trim, powder coat finish

Base Pattern Number: 03M54C

Step 1. Top Material

S	Slab (veneer only)	
V	Veneer layered	
G	Glass layered	
C	Corian layered	
Q	Caesarstone layered	

Step 2. Base Options

ON	Open Base, no metal trim	+ 0
MC __	Open Base, MC metal trim	+45,031
PM01	Open Base, PM01 metal trim	+5,414
PM02	Open Base, PM02 metal trim	+5,414
PM03	Open Base, PM03 metal trim	+6,737

Step 3. Edge Selection/Finish

N __	No Edge	+0
AU __	Spinneybeck Leather: Acqua	+\$1,792
MC __	Powder Coat	+0
PM01	Polished Chrome	+864
PM02	Satin Nickel	+864
PM03	Oil Rubbed Bronze	+1,706

Step 4A. Top Finish

T1 __	Veneer Tier 1	+0
T2 __	Veneer Tier 2	+548
GC __	Clear Glass, back painted	+4,540
GE __	Etched matte Glass, back painted	+5,284
CS01	Corian Glacier White	+5,707
QS __	Caesarstone	Contact Rep.

Step 4B. Lower Layer Finish (Layer top only)

SL __	Satin Lacquer	+297
T ___	Veneer Tier 1, 2, 3	+466
HG __	High Gloss Polyester	+466

Step 5. Base Finish

T1 __	Veneer Tier 1	+1,551
T2 __	Veneer Tier 2	+2,670
SL __	Satin Lacquer	+0
HG __	High Gloss Polyester	+5,331

Step 6. Power & Connectivity Access: Optional

DRHW	Drawer, Hardwired (layered edge only), Qty 4	+8,016
DRPI	Drawer, Plug In (layered edge only), Qty 4	+6,864
DRLK	Drawer, Linkable (layered edge only), Qty 4	+6,864
TMHW	Tabletop Metal lid, Hardwired, Qty 1	+3,694
TMPI	Tabletop Metal lid, Plug In, Qty 1	+2,880
TMLK	Tabletop Metal lid, Linkable, Qty 1	+2,880
TWHW	Tabletop Wood lid, Hardwired (veneer tops only), Qty 1	+4,654
TWPI	Tabletop Wood lid, Plug In (veneer tops only), Qty 1	+3,628
TWLK	Tabletop Wood lid, Linkable (veneer tops only), Qty 1	+3,628
UMHW	Undermount, Hardwired, Qty 4	+4,788
UMPI	Undermount, Plug In, Qty 4	+3,480
UMLK	Undermount, Linkable, Qty 4	+3,480
SOHW	Slide Out Power Box, Hardwired, Qty 4	+8,340
SOPI	Slide Out Power Box, Plug In, Qty 4	+7,076
SOLK	Slide Out Power Box, Linkable, Qty 4	+7,076

Step 7. Microphone and/or Grommet Accommodations: Optional

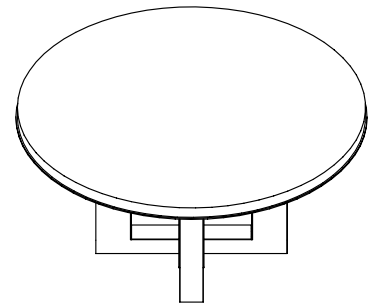
MA __	Microphone hole (factory cut)	Qty __ x 377 each
GM __	2" Grommet hole (factory cut), liner, lid, in matching metal finish	Qty __ x 496 each

Please consult [page 7](#) for the palette of DatesWeiser finishes. Natural stone, non-standard glass and veneer, and other technology options are available. Please email customerservice@datesweiser.com for a custom quote. Consult technical information on [page 308](#) for construction details and technical information.

Highline Fifty Round Meeting Table

60"/ 6 Person

03M60C



Starting Price: **\$20,481**

60" table, slab veneer Tier 1 top, open painted base with no metal trim, powder coat finish

Base Pattern Number: 03M60C

Step 1. Top Material

S	Slab (veneer only)	
V	Veneer layered	
G	Glass layered	
C	Corian layered	
Q	Caesarstone layered	

Step 2. Base Options

ON	Open Base, no metal trim	+ 0
MC __	Open Base, MC metal trim	+5,031
PM01	Open Base, PM01 metal trim	+5,414
PM02	Open Base, PM02 metal trim	+5,414
PM03	Open Base, PM03 metal trim	+6,737

Step 3. Edge Selection/Finish

N __	No Edge	+0
AU __	Spinneybeck Leather: Acqua	+\$1,992
MC __	Powder Coat	+0
PM01	Polished Chrome	+479
PM02	Satin Nickel	+479
PM03	Oil Rubbed Bronze	+2,061

Step 4A. Top Finish

T1 __	Veneer Tier 1	+0
T2 __	Veneer Tier 2	+675
GC __	Clear Glass, back painted	+5,455
GE __	Etched matte Glass, back painted	+6,372
CS01	Corian Glacier White	+7,045
QS __	Caesarstone*	Contact Rep.

Step 4B. Lower Layer Finish (Layer top only)

SL __	Satin Lacquer	+344
T ___	Veneer Tier 1, 2, 3	+531
HG __	High Gloss Polyester	+531

Step 5. Base Finish

T1 __	Veneer Tier 1	+1,716
T2 __	Veneer Tier 2	+2,965
SL __	Satin Lacquer	+0
HG __	High Gloss Polyester	+5,902

Step 6. Power & Connectivity Access: Optional

DRHW	Drawer, Hardwired (layered edge only), Qty 4	+8,016
DRPI	Drawer, Plug In (layered edge only), Qty 4	+6,864
DRLK	Drawer, Linkable (layered edge only), Qty 4	+6,864
TMHW	Tabletop Metal lid, Hardwired, Qty 1	+3,694
TMPI	Tabletop Metal lid, Plug In, Qty 1	+2,880
TMLK	Tabletop Metal lid, Linkable, Qty 1	+2,880
TWHW	Tabletop Wood lid, Hardwired (veneer tops only), Qty 1	+4,654
TWPI	Tabletop Wood lid, Plug In (veneer tops only), Qty 1	+3,628
TWLK	Tabletop Wood lid, Linkable (veneer tops only), Qty 1	+3,628
UMHW	Undermount, Hardwired, Qty 5	+5,985
UMPI	Undermount, Plug In, Qty 5	+4,350
UMLK	Undermount, Linkable, Qty 5	+4,350
SOHW	Slide Out Power Box, Hardwired, Qty 5	+10,425
SOPI	Slide Out Power Box, Plug In, Qty 5	+8,845
SOLK	Slide Out Power Box, Linkable, Qty 5	+8,845

Step 7. Microphone and/or Grommet Accommodations: Optional

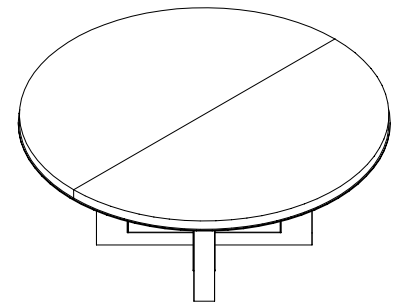
MA __	Microphone hole (factory cut)	Qty __ x 377 each
GM __	2" Grommet hole (factory cut), liner, lid, in matching metal finish	Qty __ x 496 each

Please consult [page 7](#) for the palette of DatesWeiser finishes. Natural stone, non-standard glass and veneer, and other technology options are available. Please email customerservice@datesweiser.com for a custom quote. Consult technical information on [page 308](#) for construction details and technical information.

Highline Fifty Round Meeting Table

72"/ 8 Person

03M72C



Starting Price: **\$23,996**

72" table, slab veneer Tier 1 top, open painted base with no metal trim, powder coat finish

Base Pattern Number: 03M72C

Step 1. Top Material

S	Slab (veneer only)	
V	Veneer layered	
G	Glass layered	
C	Corian layered	
Q	Caesarstone layered	

Step 2. Base Options

ON	Open Base, no metal trim	+ 0
MC __	Open Base, MC metal trim	+5,031
PM01	Open Base, PM01 metal trim	+5,414
PM02	Open Base, PM02 metal trim	+5,414
PM03	Open Base, PM03 metal trim	+6,737

Step 3. Edge Selection/Finish

N __	No Edge	+0
AU __	Spinneybeck Leather: Acqua	+\$2,391
MC __	Powder Coat	+0
PM01	Polished Chrome	+479
PM02	Satin Nickel	+479
PM03	Oil Rubbed Bronze	+2,061

Step 4A. Top Finish

T1 __	Veneer Tier 1	+0
T2 __	Veneer Tier 2	+971
GC __	Clear Glass, back painted	+7,621
GE __	Etched matte Glass, back painted	+8,943
CS01	Corian Glacier White	+10,145
QS __	Caesarstone	Contact Rep.

Step 4B. Lower Layer Finish (Layer top only)

SL __	Satin Lacquer	+421
T ___	Veneer Tier 1, 2, 3	+634
HG __	High Gloss Polyester	+634

Step 5. Base Finish

T1 __	Veneer Tier 1	+1,716
T2 __	Veneer Tier 2	+2,965
SL __	Satin Lacquer	+0
HG __	High Gloss Polyester	+5,902

Step 6. Power & Connectivity Access: Optional

DRHW	Drawer, Hardwired (layered edge only), Qty 4	+8,016
DRPI	Drawer, Plug In (layered edge only), Qty 4	+6,864
DRLK	Drawer, Linkable (layered edge only), Qty 4	+6,864
TMHW	Tabletop Metal lid, Hardwired, Qty 1	+3,694
TMPI	Tabletop Metal lid, Plug In, Qty 1	+2,880
TMLK	Tabletop Metal lid, Linkable, Qty 1	+2,880
TWHW	Tabletop Wood lid, Hardwired (veneer tops only), Qty 1	+4,654
TWPI	Tabletop Wood lid, Plug In (veneer tops only), Qty 1	+3,628
TWLK	Tabletop Wood lid, Linkable (veneer tops only), Qty 1	+3,628
UMHW	Undermount, Hardwired, Qty 6	+7,182
UMPI	Undermount, Plug In, Qty 6	+5,220
UMLK	Undermount, Linkable, Qty 6	+5,220
SOHW	Slide Out Power Box, Hardwired, Qty 6	+12,510
SOPI	Slide Out Power Box, Plug In, Qty 6	+10,614
SOLK	Slide Out Power Box, Linkable, Qty 6	+10,614

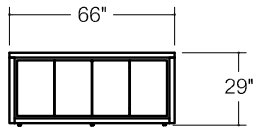
Step 7. Microphone and/or Grommet Accommodations: Optional

MA __	Microphone hole (factory cut)	Qty __ x 377 each
GM __	2" Grommet hole (factory cut), liner, lid, in matching metal finish	Qty __ x 496 each

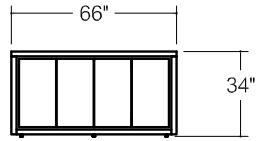
Please consult [page 7](#) for the palette of DatesWeiser finishes. Natural stone, non-standard glass and veneer, and other technology options are available. Please email customerservice@datesweiser.com for a custom quote. Consult technical information on [page 308](#) for construction details and technical information.

Highline Fifty Credenzas Index

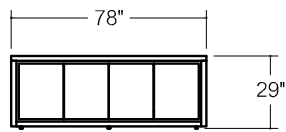
66"-114" width



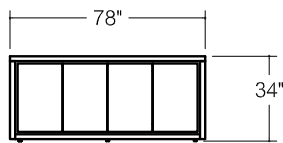
03C66C



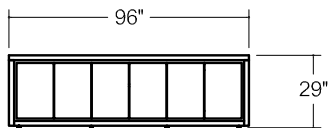
03C66B



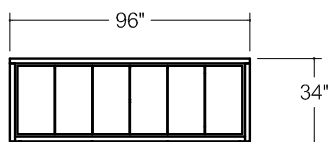
03C78C



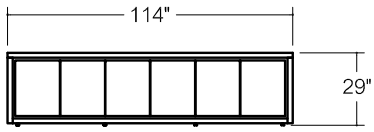
03C78B



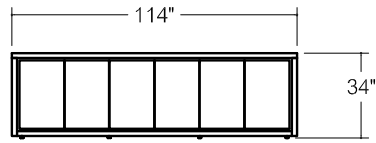
03C96C



03C96B



03C114C

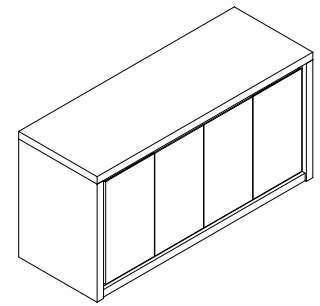


03C114B

Highline Fifty Credenza

66" Long, 34" Buffet Height

03C66B



Starting Price: **\$14,244**

66" credenza, 34" high, no top, all doors, satin lacquer case and doors, matching interior finish reveal

Pattern Number: 03C66B

Step 1. Top

NT	No top
FT	Full Top

Step 2. Top Finish (not applicable in 'no top' configuration)

GC00	Clear Glass	+2,485
GC __	Clear Glass, back painted	+2,960
GE __	Etched matte Glass, back painted	+3,202
CS01	Corian Glacier White	+3,277
QS __	Caesarstone	Contact Rep.

Step 3. Shell Finish

SL __	Satin Lacquer	+0
T1	Veneer Tier 1	+2,158
T2	Veneer Tier 2	+3,734
HG __	High Gloss Polyester	+7,226

Step 4. Reveal Finish

MI __	Match Interior	+0
MC __	Powder Coat	+697
PM01	Polished Chrome	+697
PM02	Satin Nickel	+697
PM03	Oil Rubbed Bronze	+697

Step 5. Interior Finish

SL __	Satin Lacquer	+0
T1 __	Veneer Tier 1	+1,311
T2 __	Veneer Tier 2	+1,576
HG __	High Gloss Polyester	+5,360

Step 6. Door/Drawer Face Finish

SL __	Satin Lacquer	+0
T1 __	Veneer Tier 1	+643
T2 __	Veneer Tier 2	+1,251
HG __	High Gloss Polyester	+2,716

Step 7. Configuration

Specify Left to Right: Select single or double space components for 4 available positions. When any double space component is selected, insert code in desired starting position and XXXX in subsequent position.

03 ____ B	Position 1
03 ____ B	Position 2
03 ____ B	Position 3
03 ____ B	Position 4

DOUBLE SPACE COMPONENTS

03DR30B	Doors w/adjustable shelf	+0
03FF30B	Lateral File over Lateral File	+411
03OF30B	Open over Lateral File	+384
03DD30B	Drawer over Doors	+504
03TP30B	Trash Pullout	+1,298
03AV30B	2 Door AV	+463

SINGLE SPACE COMPONENTS

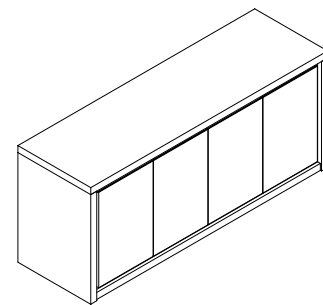
03DR15B	Door w/adjustable shelf	+0
03FF15B	File over File	+206
03OF15B	Open over File	+192
03DD15B	Drawer over Door	+251
03TP15B	Trash Pullout	+649

Please consult [page 7](#) for the palette of DatesWeiser finishes. Natural stone, non-standard glass and veneer, and other technology options are available. Please email customerservice@datesweiser.com for a custom quote. Consult technical information on [page 316](#) for construction details and technical information.

Highline Fifty Credenza

78" Long, 34" Buffet Height

03C78B



Starting Price: **\$15,385**

78" credenza, 34" high, no top, all doors, satin lacquer case and doors, matching interior finish reveal

Pattern Number: 03C78B

Step 1. Top

NT	No top
FT	Full Top

Step 2. Top Finish (not applicable in 'no top' configuration)

GC00	Clear Glass	+2,492
GC __	Clear Glass, back painted	+2,967
GE __	Etched matte Glass, back painted	+3,210
CS01	Corian Glacier White	+3,286
QS __	Caesarstone	Contact Rep.

Step 3. Shell Finish

SL __	Satin Lacquer	+0
T1	Veneer Tier 1	+2,285
T2	Veneer Tier 2	+4,012
HG __	High Gloss Polyester	+7,913

Step 4. Reveal Finish

MI __	Match Interior	+0
MC __	Powder Coat	+697
PM01	Polished Chrome	+697
PM02	Satin Nickel	+697
PM03	Oil Rubbed Bronze	+697

Step 5. Interior Finish

SL __	Satin Lacquer	+0
T1 __	Veneer Tier 1	+1,470
T2 __	Veneer Tier 2	+2,893
HG __	High Gloss Polyester	+6,136

Step 6. Door/Drawer Face Finish

SL __	Satin Lacquer	+0
T1 __	Veneer Tier 1	+643
T2 __	Veneer Tier 2	+1,251
HG __	High Gloss Polyester	+2,716

Step 7. Configuration

Specify Left to Right: Select single or double space components for 4 available positions. When any double space component is selected, insert code in desired starting position and XXXX in subsequent position.

03 ____ B	Position 1
03 ____ B	Position 2
03 ____ B	Position 3
03 ____ B	Position 4

DOUBLE SPACE COMPONENTS

03DR36B	Doors w/adjustable shelf	+0
03FF36B	Lateral File over Lateral File	+424
03OF36B	Open over Lateral File	+398
03DD36B	Drawer over Doors	+518
03TP36B	Trash Pullout	+1,311
03AV36B	2 Door AV	+555

SINGLE SPACE COMPONENTS

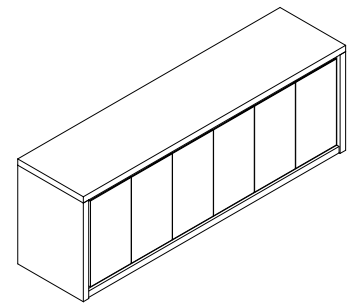
03DR18B	Door w/adjustable shelf	+0
03FF18B	File over File	+211
03OF18B	Open over File	+199
03DD18B	Drawer over Door	+258
03TP18B	Trash Pullout	+656

Please consult [page 7](#) for the palette of DatesWeiser finishes. Natural stone, non-standard glass and veneer, and other technology options are available. Please email customerservice@datesweiser.com for a custom quote. Consult technical information on [page 316](#) for construction details and technical information.

Highline Fifty Credenza

96" Long, 34" Buffet Height

03C96B



Starting Price: **\$18,457**

96" credenza, 34" high, no top, all doors, satin lacquer case and doors, matching interior finish reveal

Pattern Number: 03C96B

Step 1. Top

NT	No top
FT	Full Top

Step 2. Top Finish (not applicable in 'no top' configuration)

GC00	Clear Glass	+3,095
GC __	Clear Glass, back painted	+3,662
GE __	Etched matte Glass, back painted	+3,972
CS01	Corian Glacier White	+4,132
QS __	Caesarstone	Contact Rep.

Step 3. Shell Finish

SL __	Satin Lacquer	+0
T1	Veneer Tier 1	+2,517
T2	Veneer Tier 2	+4,478
HG __	High Gloss Polyester	+8,972

Step 4. Reveal Finish

MI __	Match Interior	+0
MC __	Powder Coat	+697
PM01	Polished Chrome	+697
PM02	Satin Nickel	+697
PM03	Oil Rubbed Bronze	+697

Step 5. Interior Finish

SL __	Satin Lacquer	+0
T1 __	Veneer Tier 1	+1,880
T2 __	Veneer Tier 2	+3,669
HG __	High Gloss Polyester	+7,760

Step 6. Door/Drawer Face Finish

SL __	Satin Lacquer	+0
T1 __	Veneer Tier 1	+928
T2 __	Veneer Tier 2	+1,808
HG __	High Gloss Polyester	+4,417

Step 7. Configuration

Specify Left to Right: Select single or double space components for 6 available positions. When any double space component is selected, insert code in desired starting position and XXXX in subsequent position.

03 ____ B	Position 1
03 ____ B	Position 2
03 ____ B	Position 3
03 ____ B	Position 4
03 ____ B	Position 5
03 ____ B	Position 6

DOUBLE SPACE COMPONENTS

03DR30B	Doors w/adjustable shelf	0
03FF30B	Lateral File over Lateral File	+411
03OF30B	Open over Lateral File	+384
03DD30B	Drawer over Doors	+504
03TP30B	Trash Pullout	+1,298
03AV30B	2 Door AV	+463

SINGLE SPACE COMPONENTS

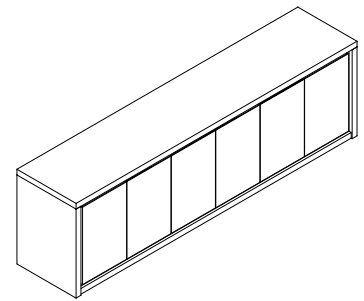
03DR15B	Door w/adjustable shelf	0
03FF15B	File over File	+206
03OF15B	Open over File	+192
03DD15B	Drawer over Door	+251
03TP15B	Trash Pullout	+649

Please consult [page 7](#) for the palette of DatesWeiser finishes. Natural stone, non-standard glass and veneer, and other technology options are available. Please email customerservice@datesweiser.com for a custom quote. Consult technical information on [page 316](#) for construction details and technical information.

Highline Fifty Credenza

114" Long, 34" Buffet Height

03C114B



Starting Price: **\$20,124**

114" credenza, 34" high, no top, all doors, satin lacquer case and doors, matching interior finish reveal

Pattern Number: 03C114B

Step 1. Top

NT	No top
FT	Full Top

Step 2. Top Finish (not applicable in 'no top' configuration)

GC00	Clear Glass	+4,751
GC__	Clear Glass, back painted	+5,550
GE__	Etched matte Glass, back painted	+5,948
CS01	Corian Glacier White	+6,066
QS__	Caesarstone	Contact Rep.

Step 3. Shell Finish

SL__	Satin Lacquer	+0
T1	Veneer Tier 1	+2,701
T2	Veneer Tier 2	+4,880
HG__	High Gloss Polyester	+10,040

Step 4. Reveal Finish

MI__	Match Interior	+0
MC__	Powder Coat	+801
PM01	Polished Chrome	+801
PM02	Satin Nickel	+801
PM03	Oil Rubbed Bronze	+801

Step 5. Interior Finish

SL__	Satin Lacquer	+0
T1__	Veneer Tier 1	+2,008
T2__	Veneer Tier 2	+4,092
HG__	High Gloss Polyester	+8,814

Step 6. Door/Drawer Face Finish

SL__	Satin Lacquer	+0
T1__	Veneer Tier 1	+986
T2__	Veneer Tier 2	+2,020
HG__	High Gloss Polyester	+4,742

Step 7. Configuration

Specify Left to Right: Select single or double space components for 6 available positions. When any double space component is selected, insert code in desired starting position and XXXX in subsequent position.

03____B	Position 1
03____B	Position 2
03____B	Position 3
03____B	Position 4
03____B	Position 5
03____B	Position 6

DOUBLE SPACE COMPONENTS

03DR36B	Doors w/adjustable shelf	+0
03FF36B	Lateral File over Lateral File	+424
03OF36B	Open over Lateral File	+398
03DD36B	Drawer over Doors	+518
03TP36B	Trash Pullout	+1,311
03AV36B	2 Door AV	+555

SINGLE SPACE COMPONENTS

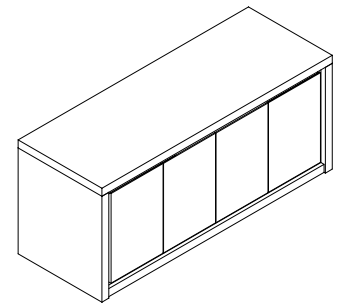
03DR18B	Door w/adjustable shelf	+0
03FF18B	File over File	+211
03OF18B	Open over File	+199
03DD18B	Drawer over Door	+258
03TP18B	Trash Pullout	+656

Please consult [page 7](#) for the palette of DatesWeiser finishes. Natural stone, non-standard glass and veneer, and other technology options are available. Please email customerservice@datesweiser.com for a custom quote. Consult technical information on [page 316](#) for construction details and technical information.

Highline Fifty Credenza

66" Long, 29" Conference Height

03C66C



Starting Price: **\$14,244**

66" credenza, 29" high, no top, all doors, satin lacquer case and doors, matching interior finish reveal

Pattern Number: 03C66C

Step 1. Top

NT	No top
FT	Full Top

Step 2. Top Finish (not applicable in 'no top' configuration)

GC00	Clear Glass	+2,485
GC __	Clear Glass, back painted	+2,960
GE __	Etched matte Glass, back painted	+3,202
CS01	Corian Glacier White	+3,277
QS __	Caesarstone	Contact Rep.

Step 3. Shell Finish

SL __	Satin Lacquer	+0
T1	Veneer Tier 1	+2,158
T2	Veneer Tier 2	+3,734
HG __	High Gloss Polyester	+7,226

Step 4. Reveal Finish

MI __	Match Interior	+0
MC __	Powder Coat	+697
PM01	Polished Chrome	+697
PM02	Satin Nickel	+697
PM03	Oil Rubbed Bronze	+697

Step 5. Interior Finish

SL __	Satin Lacquer	+0
T1 __	Veneer Tier 1	+1,311
T2 __	Veneer Tier 2	+1,576
HG __	High Gloss Polyester	+5,360

Step 6. Door/Drawer Face Finish

SL __	Satin Lacquer	+0
T1 __	Veneer Tier 1	+643
T2 __	Veneer Tier 2	+1,251
HG __	High Gloss Polyester	+2,716

Step 7. Configuration

Specify Left to Right: Select single or double space components for 4 available positions. When any double space component is selected, insert code in desired starting position and XXXX in subsequent position.

03 ____ B	Position 1
03 ____ B	Position 2
03 ____ B	Position 3
03 ____ B	Position 4

DOUBLE SPACE COMPONENTS

03DR30B	Doors w/adjustable shelf	0
03FF30B	Lateral File over Lateral File	+411
03OF30B	Open over Lateral File	+384
03DD30B	Drawer over Doors	+504
03TP30B	Trash Pullout	+1,298
03AV30B	2 Door AV	+463

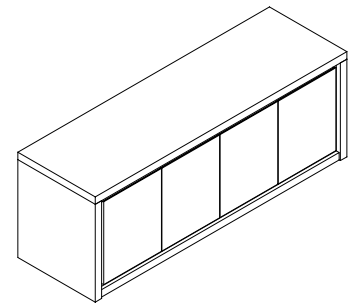
SINGLE SPACE COMPONENTS

03DR15B	Door w/adjustable shelf	0
03FF15B	File over File	+206
03OF15B	Open over File	+192
03DD15B	Drawer over Door	+251
03TP15B	Trash Pullout	+649

Please consult [page 7](#) for the palette of DatesWeiser finishes. Natural stone, non-standard glass and veneer, and other technology options are available. Please email customerservice@datesweiser.com for a custom quote. Consult technical information on [page 316](#) for construction details and technical information.

Highline Fifty Credenza

78" Long, 29" Conference Height
03C78C



Starting Price: **\$15,385**

78" credenza, 29" high, no top, all doors, satin lacquer case and doors, matching interior finish reveal

Pattern Number: 03C78C

Step 1. Top

NT	No top
FT	Full Top

Step 2. Top Finish (not applicable in 'no top' configuration)

GC00	Clear Glass	+2,492
GC __	Clear Glass, back painted	+2,967
GE __	Etched matte Glass, back painted	+3,210
CS01	Corian Glacier White	+3,286
QS __	Caesarstone	Contact Rep.

Step 3. Shell Finish

SL __	Satin Lacquer	+0
T1	Veneer Tier 1	+2,285
T2	Veneer Tier 2	+4,012
HG __	High Gloss Polyester	+7,913

Step 4. Reveal Finish

MI __	Match Interior	+0
MC __	Powder Coat	+697
PM01	Polished Chrome	+697
PM02	Satin Nickel	+697
PM03	Oil Rubbed Bronze	+697

Step 5. Interior Finish

SL __	Satin Lacquer	+0
T1 __	Veneer Tier 1	+1,470
T2 __	Veneer Tier 2	+2,893
HG __	High Gloss Polyester	+6,136

Step 6. Door/Drawer Face Finish

SL __	Satin Lacquer	+0
T1 __	Veneer Tier 1	+643
T2 __	Veneer Tier 2	+1,251
HG __	High Gloss Polyester	+2,716

Step 7. Configuration

Specify Left to Right: Select single or double space components for 4 available positions. When any double space component is selected, insert code in desired starting position and XXXX in subsequent position.

03 ____ C	Position 1
03 ____ C	Position 2
03 ____ C	Position 3
03 ____ C	Position 4

DOUBLE SPACE COMPONENTS

03DR36C	Doors w/adjustable shelf	+0
03FF36C	Drawer over Lateral File	+424
03OF36C	Open over Lateral File	+398
03DD36C	Drawer over Doors	+518
03TP36C	Trash Pullout	+1,311
03AV36C	2 Door AV	+555

SINGLE SPACE COMPONENTS

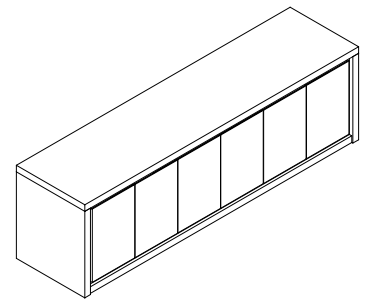
03DR18C	Door w/adjustable shelf	+0
03FF18C	Drawer over File	+211
03OF85C	Open over File	+199
03DD18C	Drawer over Door	+258
03TP18C	Trash Pullout	+656

Please consult [page 7](#) for the palette of DatesWeiser finishes. Natural stone, non-standard glass and veneer, and other technology options are available. Please email customerservice@datesweiser.com for a custom quote. Consult technical information on [page 316](#) for construction details and technical information.

Highline Fifty Credenza

96" Long, 29" Conference Height

03C96C



Starting Price: **\$18,457**

96" credenza, 29" high, no top, all doors, satin lacquer case and doors, matching interior finish reveal

Pattern Number: 03C96C

Step 1. Top

NT	No top
FT	Full Top

Step 2. Top Finish (not applicable in 'no top' configuration)

GC00	Clear Glass	+3,095
GC __	Clear Glass, back painted	+3,662
GE __	Etched matte Glass, back painted	+3,972
CS01	Corian Glacier White	+4,132
QS __	Caesarstone	Contact Rep.

Step 3. Shell Finish

SL __	Satin Lacquer	+0
T1	Veneer Tier 1	+2,517
T2	Veneer Tier 2	+4,478
HG __	High Gloss Polyester	+8,972

Step 4. Reveal Finish

MI __	Match Interior	+0
MC __	Powder Coat	+697
PM01	Polished Chrome	+697
PM02	Satin Nickel	+697
PM03	Oil Rubbed Bronze	+697

Step 5. Interior Finish

SL __	Satin Lacquer	+0
T1 __	Veneer Tier 1	+1,880
T2 __	Veneer Tier 2	+3,669
HG __	High Gloss Polyester	+7,760

Step 6. Door/Drawer Face Finish

SL __	Satin Lacquer	+0
T1 __	Veneer Tier 1	+928
T2 __	Veneer Tier 2	+1,808
HG __	High Gloss Polyester	+4,417

Step 7. Configuration

Specify Left to Right: Select single or double space components for 6 available positions. When any double space component is selected, insert code in desired starting position and XXXX in subsequent position.

03 _ _ _ _ B	Position 1
03 _ _ _ _ B	Position 2
03 _ _ _ _ B	Position 3
03 _ _ _ _ B	Position 4
03 _ _ _ _ B	Position 5
03 _ _ _ _ B	Position 6

DOUBLE SPACE COMPONENTS

03DR30B	Doors w/adjustable shelf	+0
03FF30B	Lateral File over Lateral File	+411
03OF30B	Open over Lateral File	+384
03DD30B	Drawer over Doors	+504
03TP30B	Trash Pullout	+1,298
03AV30B	2 Door AV	+463

SINGLE SPACE COMPONENTS

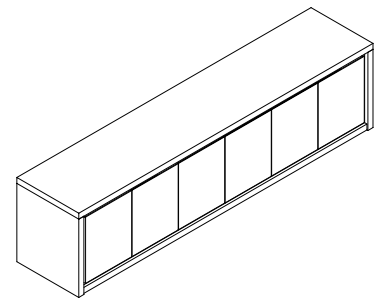
03DR15B	Door w/adjustable shelf	+0
03FF15B	File over File	+206
03OF15B	Open over File	+192
03DD15B	Drawer over Door	+251
03TP15B	Trash Pullout	+649

Please consult [page 7](#) for the palette of DatesWeiser finishes. Natural stone, non-standard glass and veneer, and other technology options are available. Please email customerservice@datesweiser.com for a custom quote. Consult technical information on [page 316](#) for construction details and technical information.

Highline Fifty Credenza

114" Long, 29" Conference Height

03C114C



Starting Price: **\$20,124**

114" credenza, 29" high, no top, all doors, satin lacquer case and doors, matching interior finish reveal

Pattern Number: 03C114C

Step 1. Top

NT	No top
FT	Full Top

Step 2. Top Finish (not applicable in 'no top' configuration)

GC00	Clear Glass	+4,751
GC__	Clear Glass, back painted	+5,550
GE__	Etched matte Glass, back painted	+5,948
CS01	Corian Glacier White	+6,066
QS__	Caesarstone	Contact Rep.

Step 3. Shell Finish

SL__	Satin Lacquer	+0
T1	Veneer Tier 1	+2,701
T2	Veneer Tier 2	+4,880
HG__	High Gloss Polyester	+10,040

Step 4. Reveal Finish

MI__	Match Interior	+0
MC__	Powder Coat	+801
PM01	Polished Chrome	+801
PM02	Satin Nickel	+801
PM03	Oil Rubbed Bronze	+801

Step 5. Interior Finish

SL__	Satin Lacquer	+0
T1__	Veneer Tier 1	+2,008
T2__	Veneer Tier 2	+4,092
HG__	High Gloss Polyester	+8,814

Step 6. Door/Drawer Face Finish

SL__	Satin Lacquer	+0
T1__	Veneer Tier 1	+986
T2__	Veneer Tier 2	+2,020
HG__	High Gloss Polyester	+4,742

Step 7. Configuration

Specify Left to Right: Select single or double space components for 6 available positions. When any double space component is selected, insert code in desired starting position and XXXX in subsequent position.

03_____B	Position 1
03_____B	Position 2
03_____B	Position 3
03_____B	Position 4
03_____B	Position 5
03_____B	Position 6

DOUBLE SPACE COMPONENTS

03DR36B	Doors w/adjustable shelf	+0
03FF36B	Lateral File over Lateral File	+424
03OF36B	Open over Lateral File	+398
03DD36B	Drawer over Doors	+518
03TP36B	Trash Pullout	+1,311
03AV36B	2 Door AV	+555

SINGLE SPACE COMPONENTS

03DR18B	Door w/adjustable shelf	+0
03FF18B	File over File	+211
03OF18B	Open over File	+199
03DD18B	Drawer over Door	+258
03TP18B	Trash Pullout	+656

Please consult [page 7](#) for the palette of DatesWeiser finishes. Natural stone, non-standard glass and veneer, and other technology options are available. Please email customerservice@datesweiser.com for a custom quote. Consult technical information on [page 316](#) for construction details and technical information.

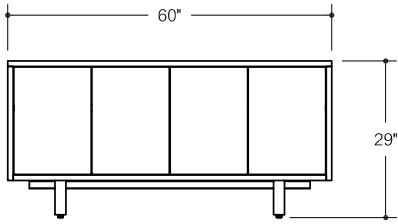
Highline Twenty-Five Collection



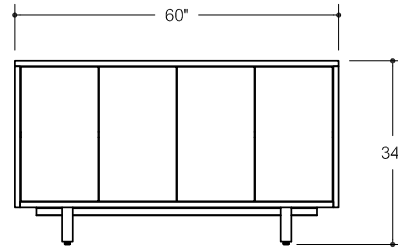
DATESWEISER

Highline Twenty-Five Credenzas Index

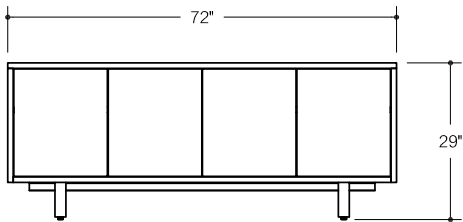
60"-108" width



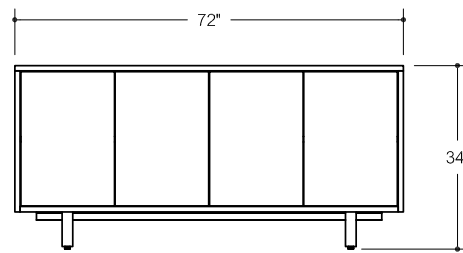
04C60C



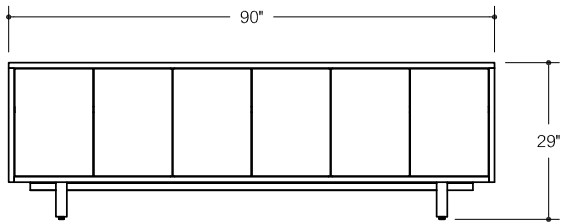
04C60B



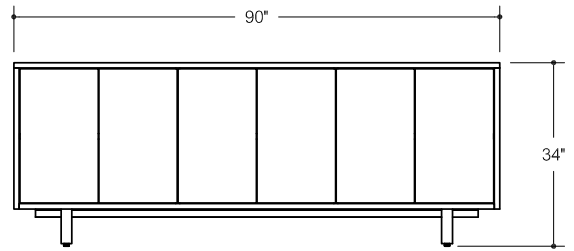
04C72C



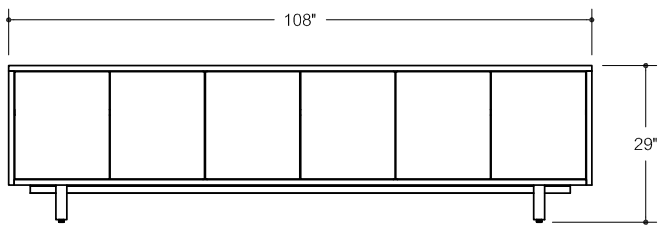
04C72B



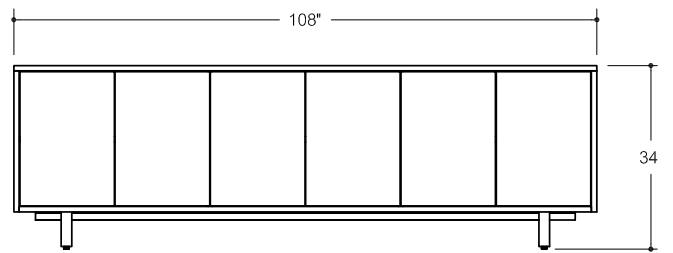
04C90C



04C90B



04C108C

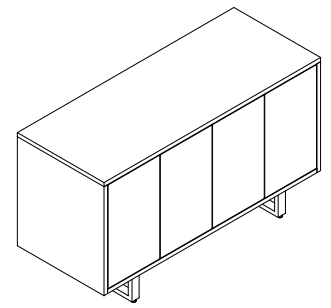


04C108B

Highline Twenty-Five Credenza

60" Long, 34" Buffet Height

04C60B



Starting Price: **\$10,036**

60" credenza, 34" high, no top, all doors, satin lacquer case and doors, powder coat legs

Pattern Number: 04C60B

Step 1. Top

NT	No top
FT	Full Top

Step 2. Top Finish (not applicable in 'no top' configuration)

GC00	Clear Glass	+2,352
GC __	Clear Glass, back painted	+2,744
GE __	Etched matte Glass, back painted	+2,954
CS01	Corian Glacier White	+3,084
QS __	Caesarstone	Contact Rep.

Step 3. Case Finish

SL __	Satin Lacquer	+0
T1	Veneer Tier 1	+2,108
T2	Veneer Tier 2	+4,558
HG __	High Gloss Polyester	+10,057

Step 4. Leg Finish

MC __	Powder Coat	+0
PM01	Polished Chrome	+418
PM02	Satin Nickel	+418
PM03	Oil Rubbed Bronze	+781

Step 5. Door/Drawer Face Finish

SL __	Satin Lacquer	+0
T1 __	Veneer Tier 1	+523
T2 __	Veneer Tier 2	+1,140
HG __	High Gloss Polyester	+2,514

Step 6. Configuration

Specify Left to Right: Select single or double space components for 4 available positions. When any double space component is selected, insert code in desired starting position and XXXX in subsequent position.

04 _ _ _ B	Position 1
04 _ _ _ B	Position 2
04 _ _ _ B	Position 3
04 _ _ _ B	Position 4

DOUBLE SPACE COMPONENTS

04DR30B	Doors w/adjustable shelf	+0
04FF30B	Lateral File over Lateral File	+465
04OF30B	Open over Lateral File	+393
04DD30B	Drawer over Doors	+772
04TP30B	Trash Pullout	+1,354
04AV30B	2 Door AV	+460

SINGLE SPACE COMPONENTS

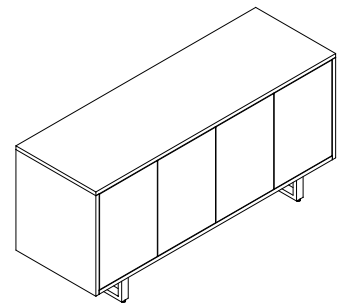
04DR15B	Door w/adjustable shelf	+0
04FF15B	File over File	+233
04OF15B	Open over File	+196
04DD15B	Drawer over Door	+387
04TP15B	Trash Pullout	+678

Please consult [page 7](#) for the palette of DatesWeiser finishes. Natural stone, non-standard glass and veneer, and other technology options are available. Please email customerservice@datesweiser.com for a custom quote. Consult technical information on [page 322](#) for construction details and technical information.

Highline Twenty-Five Credenza

72" Long, 34" Buffet Height

04C72B



Starting Price: **\$10,573**

72" credenza, 34" high, no top, all doors, satin lacquer case and doors, powder coat legs

Pattern Number: 04C72B

Step 1. Top

NT	No top
FT	Full Top

Step 2. Top Finish (not applicable in 'no top' configuration)

GC00	Clear Glass	+2,470
GC __	Clear Glass, back painted	+3,006
GE __	Etched matte Glass, back painted	+3,255
CS01	Corian Glacier White	+3,419
QS __	Caesarstone	Contact Rep.

Step 3. Case Finish

SL __	Satin Lacquer	+0
T1	Veneer Tier 1	+2,311
T2	Veneer Tier 2	+4,989
HG __	High Gloss Polyester	+11,543

Step 4. Leg Finish

MC __	Powder Coat	+0
PM01	Polished Chrome	+418
PM02	Satin Nickel	+418
PM03	Oil Rubbed Bronze	+781

Step 5. Door/Drawer Face Finish

SL __	Satin Lacquer	+0
T1 __	Veneer Tier 1	+577
T2 __	Veneer Tier 2	+1,251
HG __	High Gloss Polyester	+2,887

Step 6. Configuration

Specify Left to Right: Select single or double space components for 4 available positions. When any double space component is selected, insert code in desired starting position and XXXX in subsequent position.

04 _ _ _ B	Position 1
04 _ _ _ B	Position 2
04 _ _ _ B	Position 3
04 _ _ _ B	Position 4

DOUBLE SPACE COMPONENTS

04DR36B	Doors w/adjustable shelf	+0
04FF36B	Lateral File over Lateral File	+517
04OF36B	Open over Lateral File	+460
04DD36B	Drawer over Doors	+831
04TP36B	Trash Pullout	+1,435
04AV36B	2 Door AV	+549

SINGLE SPACE COMPONENTS

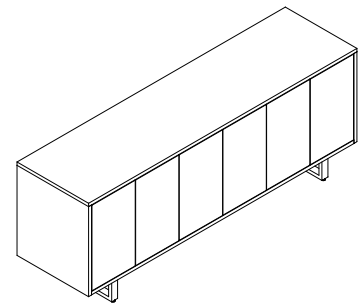
04DR18B	Door w/adjustable shelf	+0
04FF18B	File over File	+260
04OF85B	Open over File	+229
04DD18B	Drawer over Door	+416
04TP18B	Trash Pullout	+717

Please consult [page 7](#) for the palette of DatesWeiser finishes. Natural stone, non-standard glass and veneer, and other technology options are available. Please email customerservice@datesweiser.com for a custom quote. Consult technical information on [page 322](#) for construction details and technical information.

Highline Twenty-Five Credenza

90" Long, 34" Buffet Height

04C90B



Starting Price: **\$12,876**

90" credenza, 34" high, no top, all doors, satin lacquer case and doors, powder coat legs

Pattern Number: 04C90B

Step 1. Top

NT	No top
FT	Full Top

Step 2. Top Finish (not applicable in 'no top' configuration)

GC00	Clear Glass	+2,706
GC __	Clear Glass, back painted	+3,410
GE __	Etched matte Glass, back painted	+3,712
CS01	Corian Glacier White	+3,915
QS __	Caesarstone	Contact Rep.

Step 3. Case Finish

SL __	Satin Lacquer	+0
T1	Veneer Tier 1	+2,900
T2	Veneer Tier 2	+6,324
HG __	High Gloss Polyester	+13,625

Step 4. Leg Finish

MC __	Powder Coat	+0
PM01	Polished Chrome	+418
PM02	Satin Nickel	+418
PM03	Oil Rubbed Bronze	+781

Step 5. Door/Drawer Face Finish

SL __	Satin Lacquer	+0
T1 __	Veneer Tier 1	+727
T2 __	Veneer Tier 2	+1,585
HG __	High Gloss Polyester	+3,404

Step 6. Configuration

Specify Left to Right: Select single or double space components for 6 available positions. When any double space component is selected, insert code in desired starting position and XXXX in subsequent position.

04 _ _ _ B	Position 1
04 _ _ _ B	Position 2
04 _ _ _ B	Position 3
04 _ _ _ B	Position 4
04 _ _ _ B	Position 5
04 _ _ _ B	Position 6

DOUBLE SPACE COMPONENTS

04DR30B	Doors w/adjustable shelf	+0
04FF30B	Lateral File over Lateral File	+465
04OF30B	Open over Lateral File	+393
04DD30B	Drawer over Doors	+773
04TP30B	Trash Pullout	+1,354
04AV30B	2 Door AV	+460

SINGLE SPACE COMPONENTS

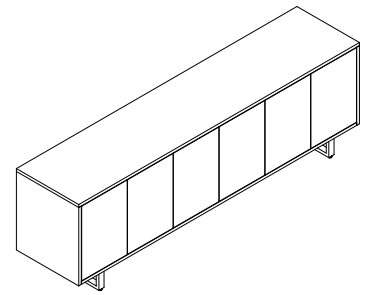
04DR15B	Door w/adjustable shelf	+0
04FF15B	File over File	+233
04OF15B	Open over File	+196
04DD15B	Drawer over Door	+387
04TP15B	Trash Pullout	+678

Please consult [page 7](#) for the palette of DatesWeiser finishes. Natural stone, non-standard glass and veneer, and other technology options are available. Please email customerservice@datesweiser.com for a custom quote. Consult technical information on [page 322](#) for construction details and technical information.

Highline Twenty-Five Credenza

108" Long, 34" Buffet Height

04C108B



Starting Price: **\$13,707**

108" credenza, 34" high, no top, all doors, satin lacquer case and doors, powder coat legs

Pattern Number: 04C108B

Step 1. Top

NT	No top
FT	Full Top

Step 2. Top Finish (not applicable in 'no top' configuration)

GC00	Clear Glass	+3,411
GC __	Clear Glass, back painted	+4,885
GE __	Etched matte Glass, back painted	+5,244
CS01	Corian Glacier White	+5,500
QS __	Caesarstone	Contact Rep.

Step 3. Case Finish

SL __	Satin Lacquer	+0
T1	Veneer Tier 1	+3,188
T2	Veneer Tier 2	+7,137
HG __	High Gloss Polyester	+15,851

Step 4. Leg Finish

MC __	Powder Coat	+0
PM01	Polished Chrome	+418
PM02	Satin Nickel	+418
PM03	Oil Rubbed Bronze	+781

Step 5. Door/Drawer Face Finish

SL __	Satin Lacquer	+0
T1 __	Veneer Tier 1	+799
T2 __	Veneer Tier 2	+1,788
HG __	High Gloss Polyester	+3,962

Step 6. Configuration

Specify Left to Right: Select single or double space components for 6 available positions. When any double space component is selected, insert code in desired starting position and XXXX in subsequent position.

04 _ _ _ B	Position 1
04 _ _ _ B	Position 2
04 _ _ _ B	Position 3
04 _ _ _ B	Position 4
04 _ _ _ B	Position 5
04 _ _ _ B	Position 6

DOUBLE SPACE COMPONENTS

04DR36B	Doors w/adjustable shelf	+0
04FF36B	Lateral File over Lateral File	+517
04OF36B	Open over Lateral File	+460
04DD36B	Drawer over Doors	+831
04TP36B	Trash Pullout	+1,435
04AV36B	2 Door AV	+549

SINGLE SPACE COMPONENTS

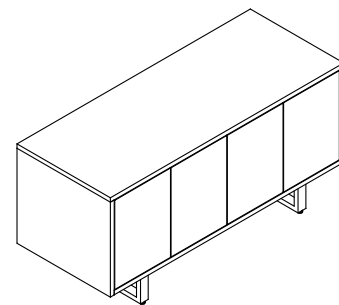
04DR18B	Door w/adjustable shelf	+0
04FF18B	File over File	+260
04OF85B	Open over File	+229
04DD18B	Drawer over Door	+416
04TP18B	Trash Pullout	+717

Please consult [page 7](#) for the palette of DatesWeiser finishes. Natural stone, non-standard glass and veneer, and other technology options are available. Please email customerservice@datesweiser.com for a custom quote. Consult technical information on [page 322](#) for construction details and technical information.

Highline Twenty-Five Credenza

60" Long, 29" Conference Height

04C60C



Starting Price: **\$10,036**

60" credenza, 29" high, no top, all doors, satin lacquer case and doors, powder coat legs

Pattern Number: 04C60C

Step 1. Top

NT	No top	
FT	Full Top	

Step 2. Top Finish (not applicable in 'no top' configuration)

GC00	Clear Glass	+2,352
GC __	Clear Glass, back painted	+2,744
GE __	Etched matte Glass, back painted	+2,954
CS01	Corian Glacier White	+3,084
QS __	Caesarstone	Contact Rep.

Step 3. Case Finish

SL __	Satin Lacquer	+0
T1	Veneer Tier 1	+2,108
T2	Veneer Tier 2	+4,558
HG __	High Gloss Polyester	+10,057

Step 4. Leg Finish

MC __	Powder Coat	+0
PM01	Polished Chrome	+418
PM02	Satin Nickel	+418
PM03	Oil Rubbed Bronze	+781

Step 5. Door/Drawer Face Finish

SL __	Satin Lacquer	+0
--------------	---------------	----

T1 __	Veneer Tier 1	+523
T2 __	Veneer Tier 2	+1,140
HG __	High Gloss Polyester	+2,514

Step 6. Configuration

Specify Left to Right: Select single or double space components for 4 available positions. When any double space component is selected, insert code in desired starting position and XXXX in subsequent position.

04 ____ B	Position 1
04 ____ B	Position 2
04 ____ B	Position 3
04 ____ B	Position 4

DOUBLE SPACE COMPONENTS

04DR30B	Doors w/adjustable shelf	+0
04FF30B	Lateral File over Lateral File	+465
04OF30B	Open over Lateral File	+393
04DD30B	Drawer over Doors	+773
04TP30B	Trash Pullout	+1,354
04AV30B	2 Door AV	+460

SINGLE SPACE COMPONENTS

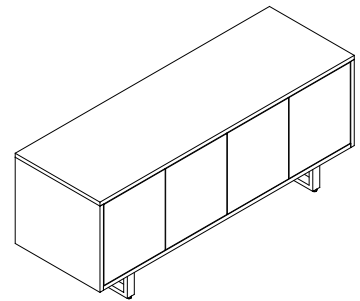
04DR15B	Door w/adjustable shelf	+0
04FF15B	File over File	+233
04OF15B	Open over File	+196
04DD15B	Drawer over Door	+387
04TP15B	Trash Pullout	+678

Please consult [page 7](#) for the palette of DatesWeiser finishes. Natural stone, non-standard glass and veneer, and other technology options are available. Please email customerservice@datesweiser.com for a custom quote. Consult technical information on [page 322](#) for construction details and technical information.

Highline Twenty-Five Credenza

72" Long, 29" Conference Height

04C72C



Starting Price: **\$10,573**

72" credenza, 29" high, no top, all doors, satin lacquer case and doors, powder coat legs

Pattern Number: 04C72C

Step 1. Top

NT	No top
FT	Full Top

Step 2. Top Finish (not applicable in 'no top' configuration)

GCO0	Clear Glass	+2,470
GC __	Clear Glass, back painted	+3,006
GE __	Etched matte Glass, back painted	+3,255
CS01	Corian Glacier White	+3,580
QS __	Caesarstone	Contact Rep.

Step 3. Case Finish

SL __	Satin Lacquer	+0
T1	Veneer Tier 1	+2,311
T2	Veneer Tier 2	+4,989
HG __	High Gloss Polyester	+11,543

Step 4. Leg Finish

MC __	Powder Coat	+0
PM01	Polished Chrome	+418
PM02	Satin Nickel	+418
PM03	Oil Rubbed Bronze	+781

Step 5. Door/Drawer Face Finish

SL __	Satin Lacquer	+0
T1 __	Veneer Tier 1	+577
T2 __	Veneer Tier 2	+1,251
HG __	High Gloss Polyester	+2,887

Step 6. Configuration

Specify Left to Right: Select single or double space components for 4 available positions. When any double space component is selected, insert code in desired starting position and XXXX in subsequent position.

04 _ _ _ _ B	Position 1
04 _ _ _ _ B	Position 2
04 _ _ _ _ B	Position 3
04 _ _ _ _ B	Position 4

DOUBLE SPACE COMPONENTS

04DR36B	Doors w/adjustable shelf	+0
04FF36B	Lateral File over Lateral File	+517
04OF36B	Open over Lateral File	+460
04DD36B	Drawer over Doors	+831
04TP36B	Trash Pullout	+1,435
04AV36B	2 Door AV	+549

SINGLE SPACE COMPONENTS

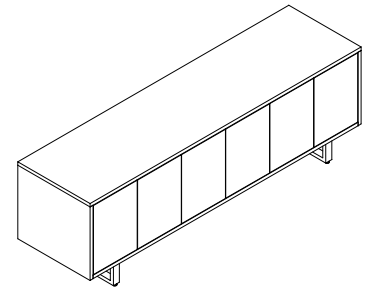
04DR18B	Door w/adjustable shelf	+0
04FF18B	File over File	+260
04OF85B	Open over File	+229
04DD18B	Drawer over Door	+416
04TP18B	Trash Pullout	+717

Please consult [page 7](#) for the palette of DatesWeiser finishes. Natural stone, non-standard glass and veneer, and other technology options are available. Please email customerservice@datesweiser.com for a custom quote. Consult technical information on [page 322](#) for construction details and technical information.

Highline Twenty-Five Credenza

90" Long, 29" Conference Height

04C90C



Starting Price: **\$12,879**

90" credenza, 29" high, no top, all doors, satin lacquer case and doors, powder coat legs

Pattern Number: 04C90C

Step 1. Top

NT	No top	
FT	Full Top	

Step 2. Top Finish (not applicable in 'no top' configuration)

GC00	Clear Glass	+2,706
GC __	Clear Glass, back painted	+3,410
GE __	Etched matte Glass, back painted	+3,712
CS01	Corian Glacier White	+4,474
QS __	Caesarstone	Contact Rep.

Step 3. Case Finish

SL __	Satin Lacquer	+0
T1	Veneer Tier 1	+2,900
T2	Veneer Tier 2	+6,324
HG __	High Gloss Polyester	+13,625

Step 4. Leg Finish

MC __	Powder Coat	+0
PM01	Polished Chrome	+418
PM02	Satin Nickel	+418
PM03	Oil Rubbed Bronze	+781

Step 5. Door/Drawer Face Finish

SL __	Satin Lacquer	+0
T1 __	Veneer Tier 1	+727
T2 __	Veneer Tier 2	+1,585
HG __	High Gloss Polyester	+3,404

Step 6. Configuration

Specify Left to Right: Select single or double space components for 6 available positions. When any double space component is selected, insert code in desired starting position and XXXX in subsequent position.

04 _ _ _ C	Position 1	+ _ _ _ _
04 _ _ _ C	Position 2	+ _ _ _ _
04 _ _ _ C	Position 3	+ _ _ _ _
04 _ _ _ C	Position 4	+ _ _ _ _
04 _ _ _ C	Position 5	+ _ _ _ _
04 _ _ _ C	Position 6	+ _ _ _ _

DOUBLE SPACE COMPONENTS

04DR30C	Doors w/adjustable shelf	+0
04DF30C	Drawer over Lateral File	+465
04OF30C	Open over Lateral File	+393
04DD30C	Drawer over Doors	+773
04TP30C	Trash Pullout	+1,354
04AV30C	2 Door AV	+460

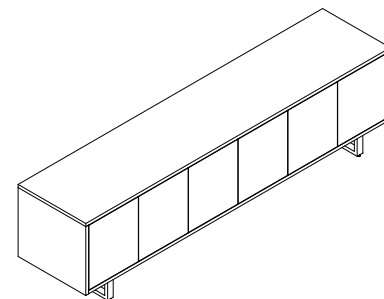
SINGLE SPACE COMPONENTS

04DR15C	Door w/adjustable shelf	+0
04DF15C	Drawer over File	+233
04OF15C	Open over File	+196
04DD15C	Drawer over Door	+387
04TP15C	Trash Pullout	+678

Please consult [page 7](#) for the palette of DatesWeiser finishes. Natural stone, non-standard glass and veneer, and other technology options are available. Please email customerservice@datesweiser.com for a custom quote. Consult technical information on [page 322](#) for construction details and technical information.

Highline Twenty-Five Credenza

108" Long, 29" Conference Height
04C108C



Starting Price: **\$13,707**

108" credenza, 29" high, no top, all doors, satin lacquer case and doors, powder coat legs

Pattern Number: 04C108C

Step 1. Top

NT	No top
FT	Full Top

Step 2. Top Finish (not applicable in 'no top' configuration)

GC00	Clear Glass	+3,411
GC __	Clear Glass, back painted	+4,885
GE __	Etched matte Glass, back painted	+5,244
CS01	Corian Glacier White	+5,368
QS __	Caesarstone	Contact Rep.

Step 3. Case Finish

SL __	Satin Lacquer	+0
T1	Veneer Tier 1	+3,188
T2	Veneer Tier 2	+7,137
HG __	High Gloss Polyester	+15,851

Step 4. Leg Finish

MC __	Powder Coat	+0
PM01	Polished Chrome	+418
PM02	Satin Nickel	+418
PM03	Oil Rubbed Bronze	+718

Step 5. Door/Drawer Face Finish

SL __	Satin Lacquer	+0
T1 __	Veneer Tier 1	+799
T2 __	Veneer Tier 2	+1,788
HG __	High Gloss Polyester	+3,962

Step 6. Configuration

Specify Left to Right: Select single or double space components for 6 available positions. When any double space component is selected, insert code in desired starting position and XXXX in subsequent position.

04 _ _ _ _ B	Position 1
04 _ _ _ _ B	Position 2
04 _ _ _ _ B	Position 3
04 _ _ _ _ B	Position 4
04 _ _ _ _ B	Position 5
04 _ _ _ _ B	Position 6

DOUBLE SPACE COMPONENTS

04DR36B	Doors w/adjustable shelf	+0
04FF36B	Lateral File over Lateral File	+517
04OF36B	Open over Lateral File	+460
04DD36B	Drawer over Doors	+831
04TP36B	Trash Pullout	+1,435
04AV36B	2 Door AV	+549

SINGLE SPACE COMPONENTS

04DR18B	Door w/adjustable shelf	+0
04FF18B	File over File	+260
04OF85B	Open over File	+229
04DD18B	Drawer over Door	+416
04TP18B	Trash Pullout	+717

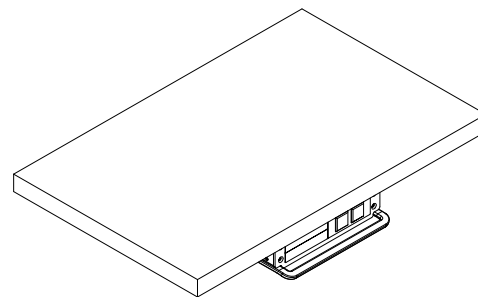
Please consult [page 7](#) for the palette of DatesWeiser finishes. Natural stone, non-standard glass and veneer, and other technology options are available. Please email customerservice@datesweiser.com for a custom quote. Consult technical information on [page 322](#) for construction details and technical information.

Accessories

Accessories

Power & Connectivity

Slide Out Power Box



Hardwired Starting Price: \$2,085 Plug In Starting Price: \$1,769

Pattern Number: 00UMSOHW

Pattern Number: 00UMSOPI

Includes : (1) AC Power Module - Hardwired (HW)
(2) Single Space Blank Plates

Includes : (1) AC Power Module - Plug In (PI)
(2) Single Space Blank Plates

Finish : Black Powder Coat

Finish: Black Powder Coat

The Slide-Out Power Box is designed to be mounted on the under-side of a tabletop to provide easy access to power, data and communication feeds by the End User with an option to slide it back out of the way if not needed or if more seating space is required.

The unit is provided with 1 AC Power Module in both hardwire and plug-in options.

Its design also allows the use of standard Extron Single or Double AAP modules, ordered separately by the End User from Extron. See Extron's website at <https://www.extron.com/product/aap-selectorpopup.aspx> to see what's available.

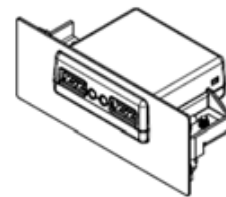
The Slide-Out Power Box mounts to the under-side of a wood tabletop using wood screws and comes with all the hardware required to attach it to any Highline Table.

It can be mounted in any desired location, but it's recommended to be mounted in-between users in such a way that when the box is extended, it is flush with the edge of the tabletop with only the handle protruding past.

Accessories

Power & Connectivity

Linkable USB Kits for Power Boxes



USB-A GEN 3 Linkable Kit 4pk Price: \$1,539

Pattern Number: 00PCMUSB3A4L

Includes : (1) 1.2A/5VDC USB Charging Ports per Module
150W/VDC or 250W/5VDC Power Supply
16 Gauge Direct Current Jumper Cables
USA NEMA 5-15 and 15 Amp with 90° Plug
UL 1310 Class 2 Listed
Meets USB.org Battery Charging 1.2 Specs
P-Clips for wire management

Finish : Black

USB-A GEN 3 Linkable Kit 6pk Price: \$2,367

Pattern Number: 00PCMUSB3A6L

Includes : (1) 1.2A/5VDC USB Charging Ports per Module
150W/VDC or 250W/5VDC Power Supply
16 Gauge Direct Current Jumper Cables
USA NEMA 5-15 and 15 Amp with 90° Plug
UL 1310 Class 2 Listed
Meets USB.org Battery Charging 1.2 Specs
P-Clips for wire management

Finish : Black

USB-A GEN 3 Linkable Kit 8pk Price: \$2,924

Pattern Number: 00PCMUSB3A8L

Includes : (1) 1.2A/5VDC USB Charging Ports per Module
150W/VDC or 250W/5VDC Power Supply
16 Gauge Direct Current Jumper Cables
USA NEMA 5-15 and 15 Amp with 90° Plug
UL 1310 Class 2 Listed
Meets USB.org Battery Charging 1.2 Specs
P-Clips for wire management

Finish : Black

USB-A GEN 3 Linkable Kit 10pk Price: \$3,649

Pattern Number: 00PCMUSB3A10L

Includes : (1) 1.2A/5VDC USB Charging Ports per Module
150W/VDC or 250W/5VDC Power Supply
16 Gauge Direct Current Jumper Cables
USA NEMA 5-15 and 15 Amp with 90° Plug
UL 1310 Class 2 Listed
Meets USB.org Battery Charging 1.2 Specs
P-Clips for wire management

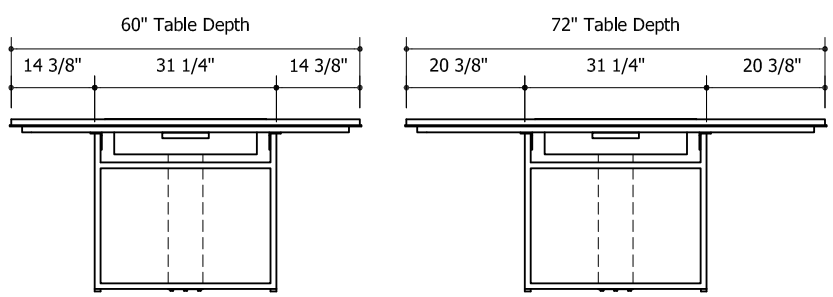
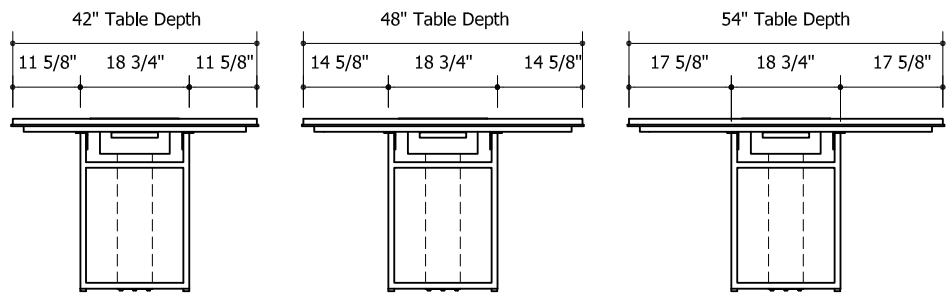
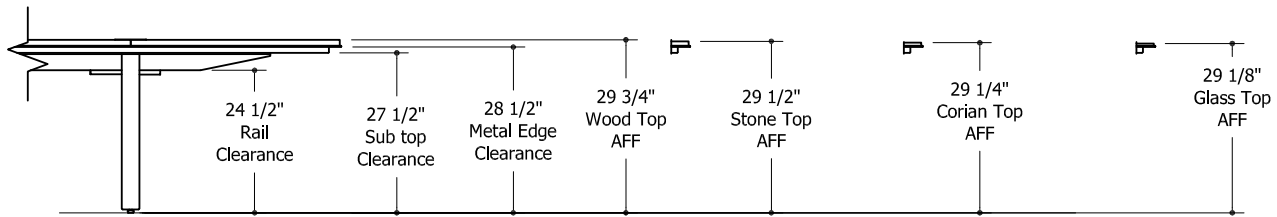
Finish : Black

Technical Information

Highline Collection

Conference Tables

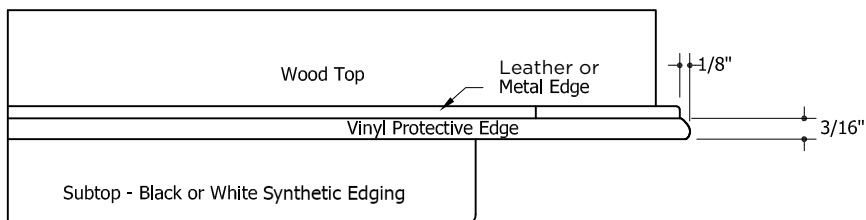
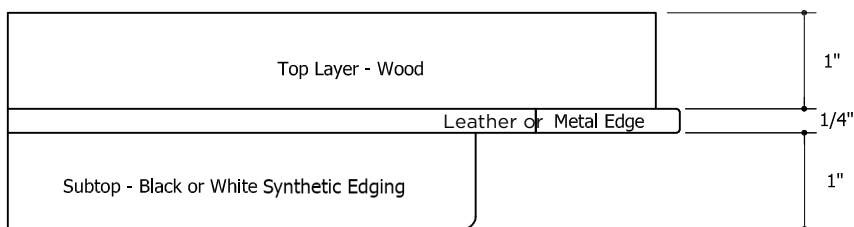
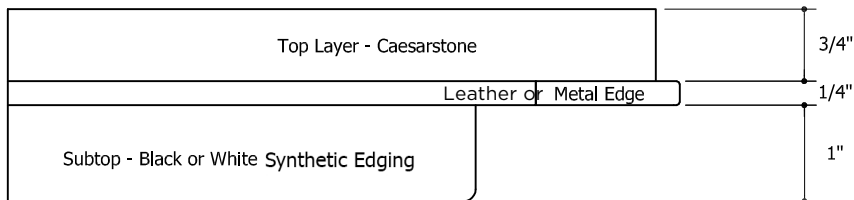
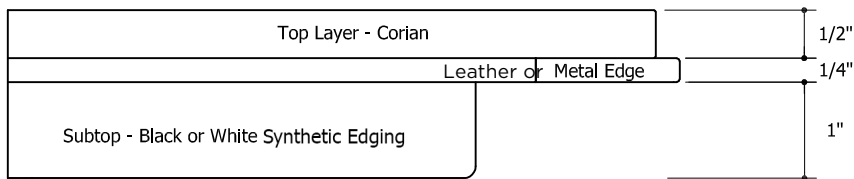
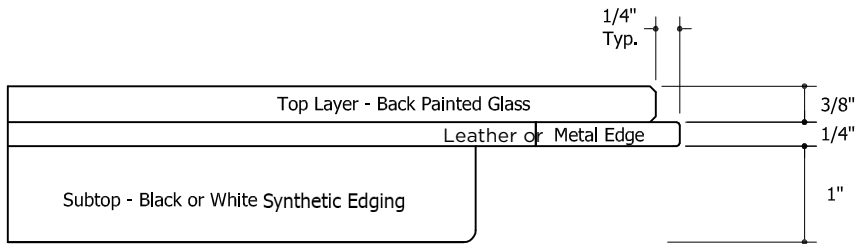
Overall Elevations and Clearance



Highline Collection

Conference Tables

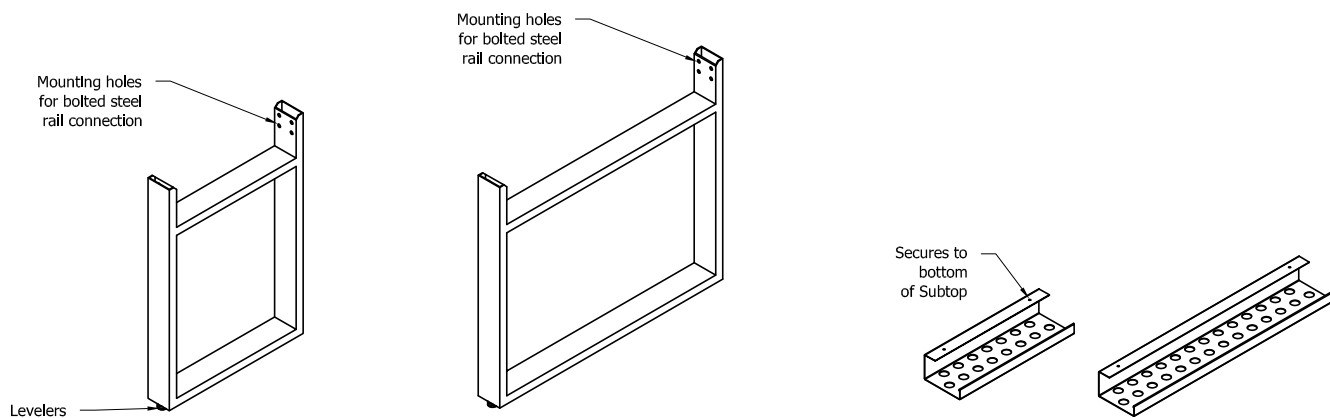
Top Construction



Highline Collection

Conference Tables

Base Construction / Wire Management Column



Highline Small Base

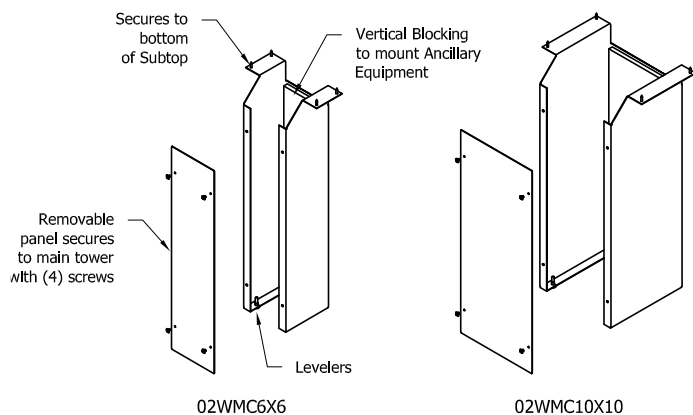
- Used on 42" / 48" / 54" widths
- Also used in combination with large bases for some elliptical and trapezoid configurations
- Construction: 1" x 3" tubular steel

Highline Large Base

- Used on 60" / 72" widths
- Also used in combination with small bases for some elliptical and trapezoid configurations
- Construction: 1" x 3" tubular steel

Wire Manager

- Length varies by table 16" or 28" x 5" deep x 3" high
- Construction: Steel with black powder coat metallic finish (MC12)



Wire Management Column

- Ordered separately but required with all power options
- Location is flexible but placement on table centerline is recommended

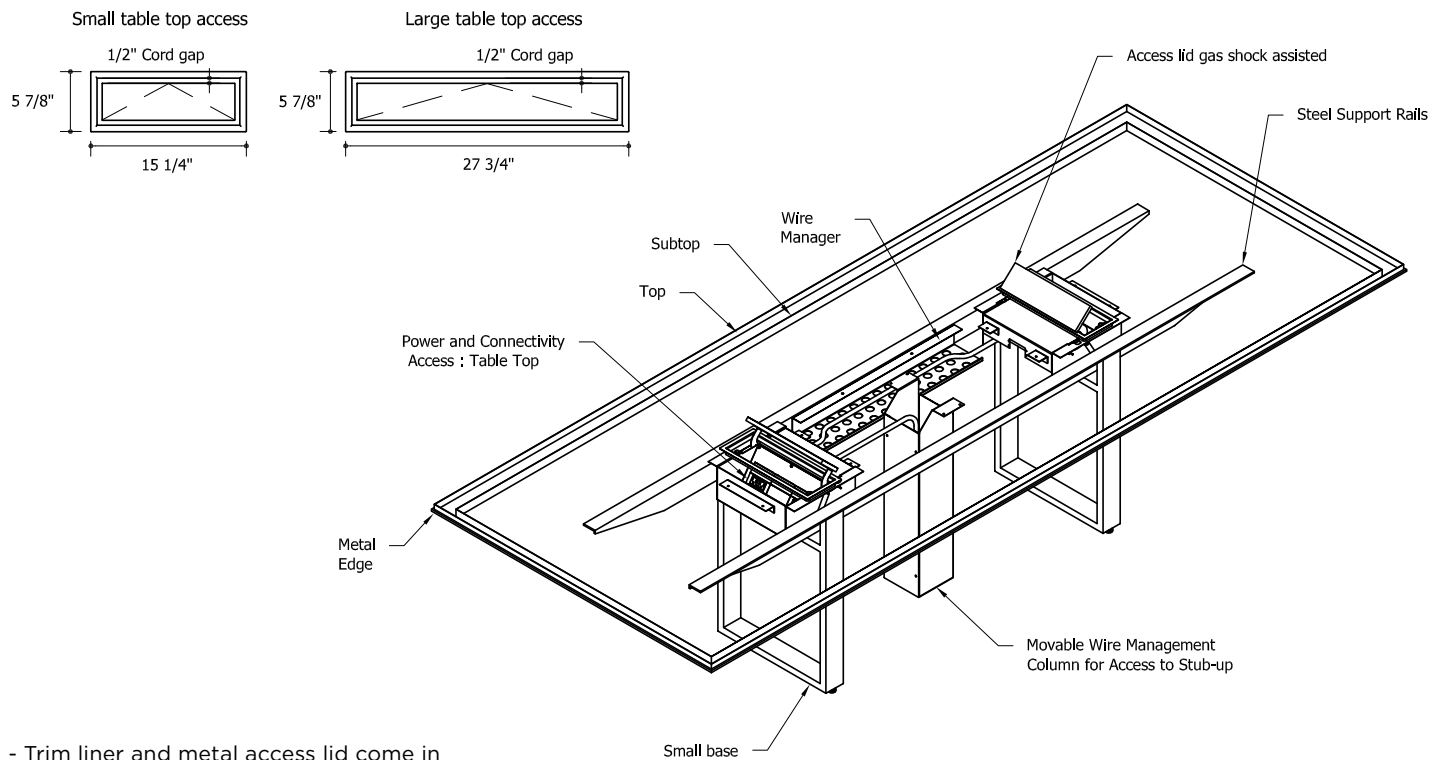
02WMC6X6 6" x 6" with clear inside of 4" x 5"
 02WMC10X10 10" x 10" with clear inside of 8" x 9"

Highline Collection

Conference Tables

Power & Connectivity

Table Top: Small and Large



- Trim liner and metal access lid come in the specified metal finish
- Small access lid used on 42" / 48" / 54" tables
- Large access lid used on 60" / 72" tables



Small Table Top access (shown populated)

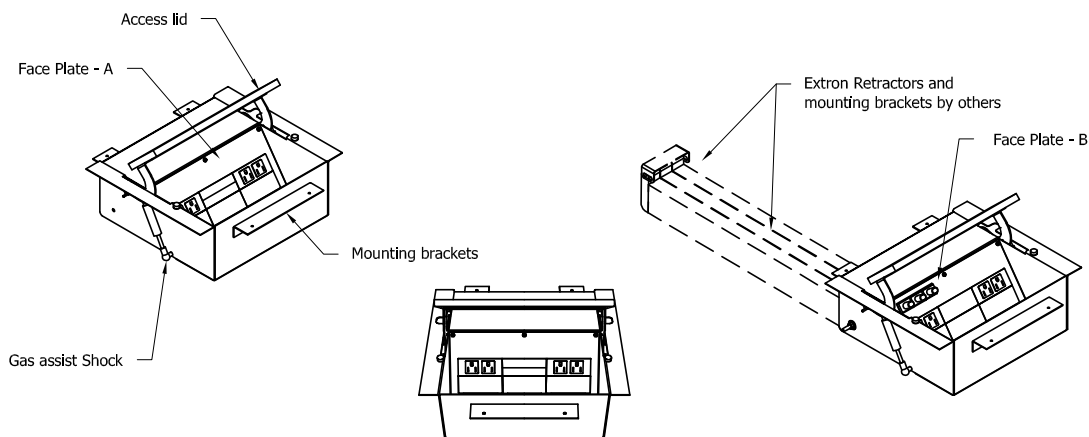


Small Table Top access (shown with optional faceplate)

- Provided with 2 AC power modules - specify hardwired (HW) or plug in (PI), 3 double space and 2 single space blank plates
- For additional connectivity, replace blank plates with Extron single or double space AAP plates as desired. For more information see extron.com

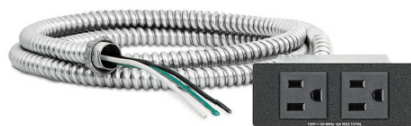
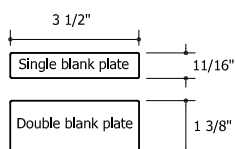
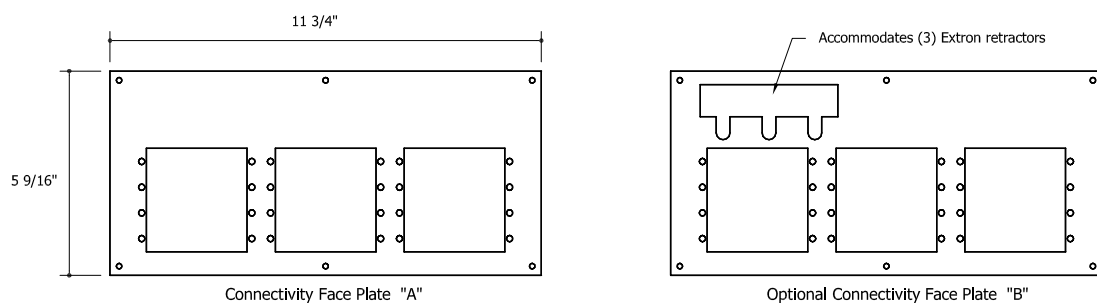
Highline Collection

Conference Tables Power & Connectivity Table Top: Small



- Interior: Black powder coat metallic finish (MC12)
- Used on 42" / 48" / 54" width conference tables
- Also used in combination with large boxes for some elliptical and trapezoid configurations
- Connectivity: Face Plate "A" Qty 1 is standard
- Connectivity: Face Plate "B" is used with Extron retractors

- Face Plates are removable to allow for easy population by AV installer
- Provided with 2 AC power modules - specify hardwired (HW) or plug in (PI), 3 double space and 2 single space blank plates
- For additional connectivity, replace blank plates with Extron



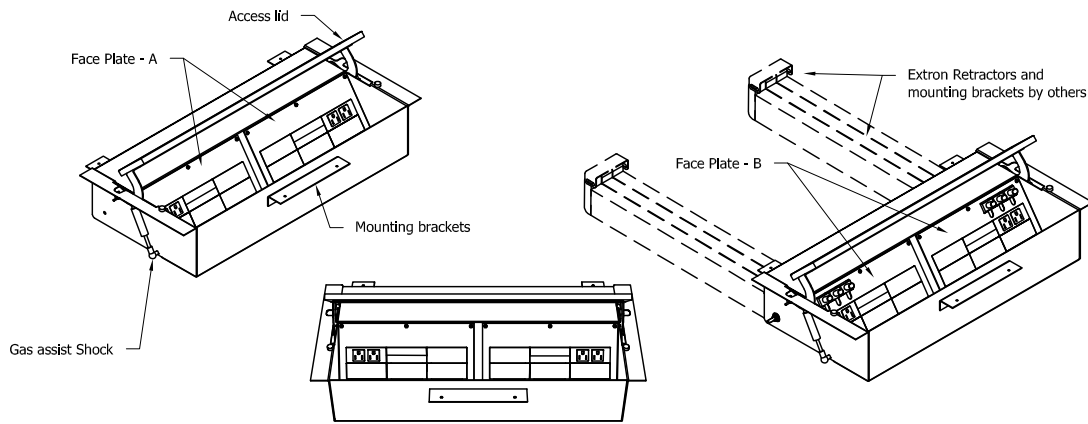
- AC Module Hardwired (HW)
- 3/8" diameter x 6' long metal-clad cable with 6" pigtail
 - Additional knockouts for series wiring
 - 12A max per module



- AC Module Plug In (PI)
- 7.5' detachable soft cord
 - 6A max per module

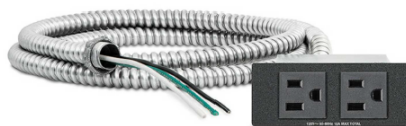
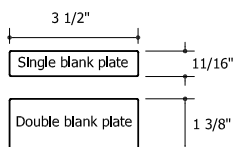
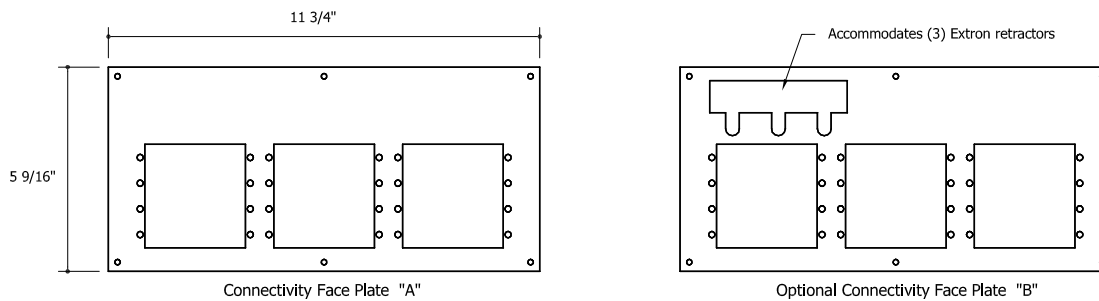
Highline Collection

Conference Tables Power & Connectivity Table Top: Large



- Interior: Black powder coat metallic finish (MC12)
- Used on 60" / 72" width tables
- Also used in combination with Highline Small boxes for some elliptical and trapezoid configurations
- Connectivity: Face Plate "A" Qty 2 is standard
- Connectivity: Face Plate "B" is used with Extron retractors

- Face Plates are removable to allow for easy population by AV installer
- Provided with 2 AC power modules - specify hardwired (HW) or plug in (PI), 8 double space and 4 single space blank plates
- For additional connectivity, replace blank plates with Extron single or double space AAP plates as desired. For more infor-



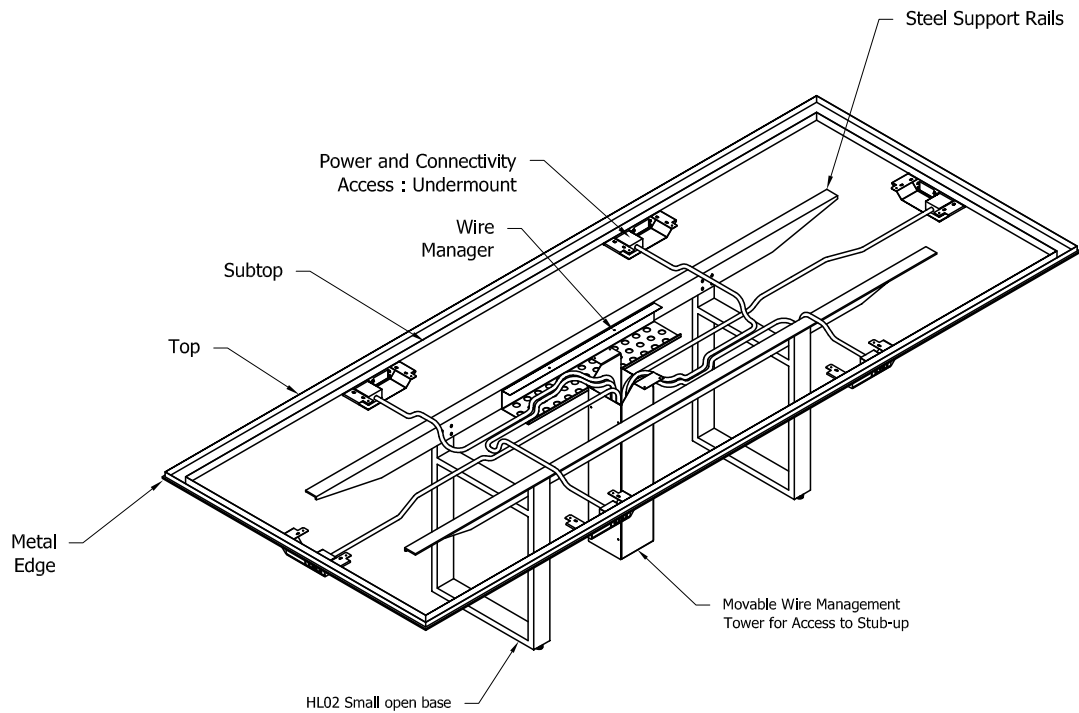
- AC Module Hardwired (HW)
- 3/8" diameter x 6' long metal clad cable with 6" pigtail
 - Additional knockouts for series wiring
 - 12A max per module



- AC Module Plug In (PI)
- 7.5' detachable soft cord
 - 6A max per module

Highline Collection

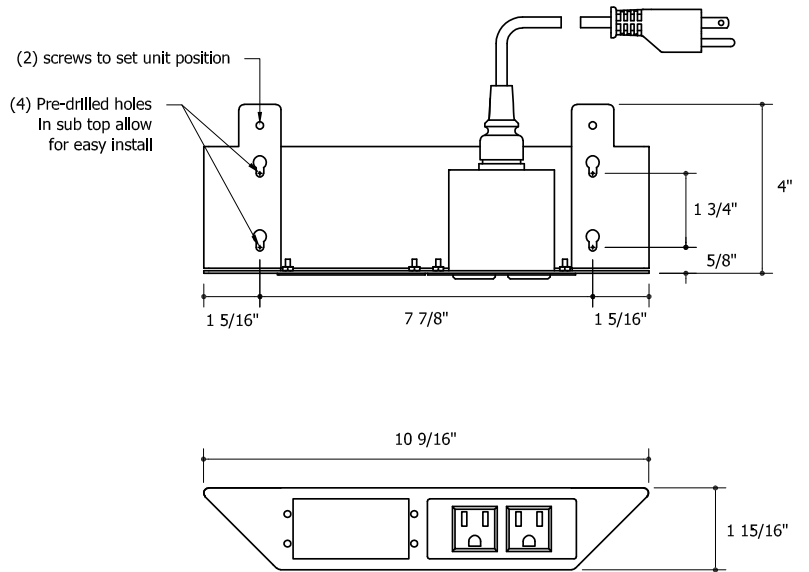
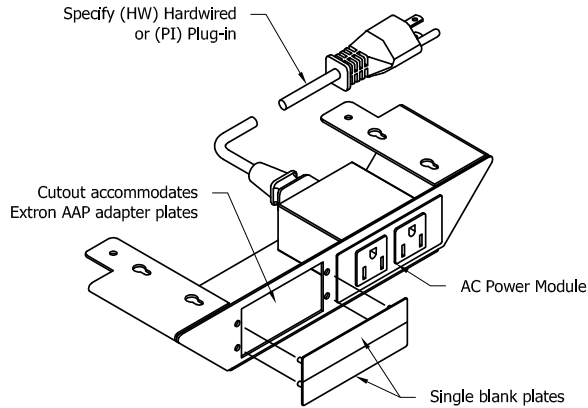
Conference Tables Power & Connectivity Undermount



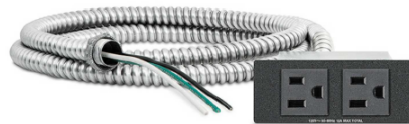
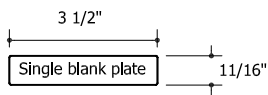
- Undermount access (shown populated)
- Provided with 1 AC power module - specify hard-wired (HW) or plug in (PI), and 2 single space blank plates
 - For additional connectivity, replace blank plates with Extron single or double space AAP plates as desired. For more information see extron.com

Highline Collection

Conference Tables Power & Connectivity Undermount



- Interior: Black powder coat metallic finish (MC12)
- Provided with 1 AC power module - specify hardwired (HW) or plug in (PI), and 2 single space blank plates
- For additional connectivity, replace blank plates with Extron single or double space AAP plates as desired. For more information see extron.com



- AC Module Hardwired (HW)
- 3/8" diameter x 6' long metal-clad cable with 6" pigtail
 - Additional knockouts for series wiring
 - 12A max per module

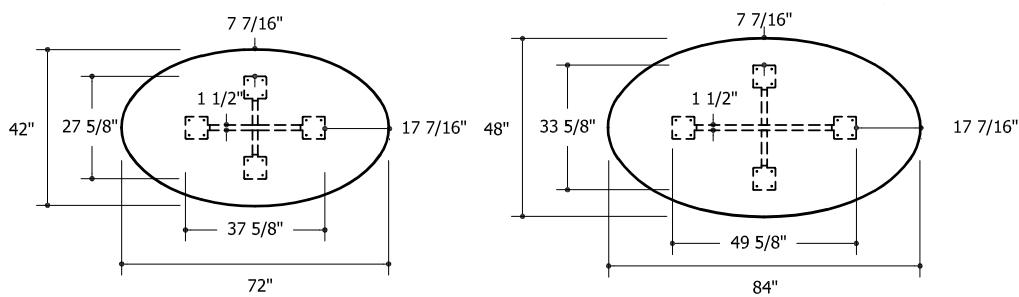
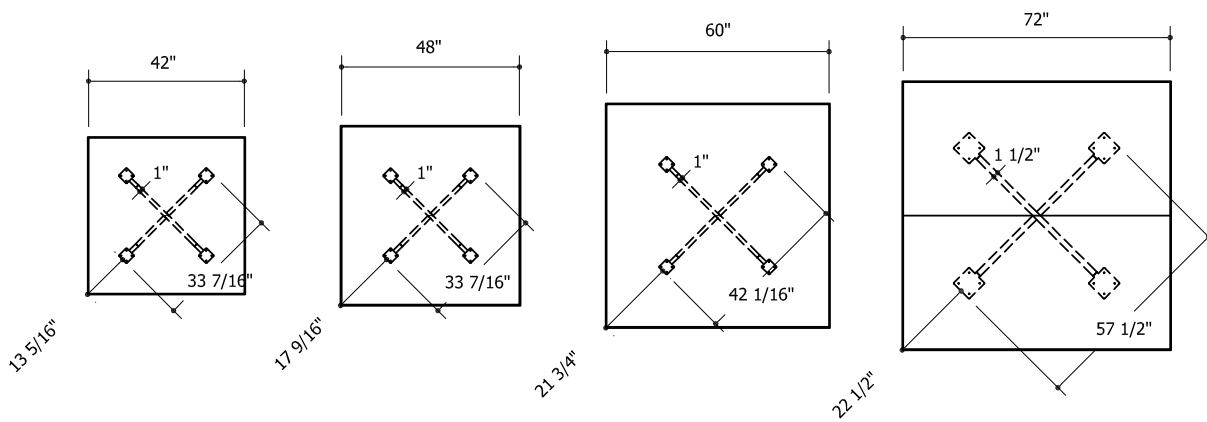
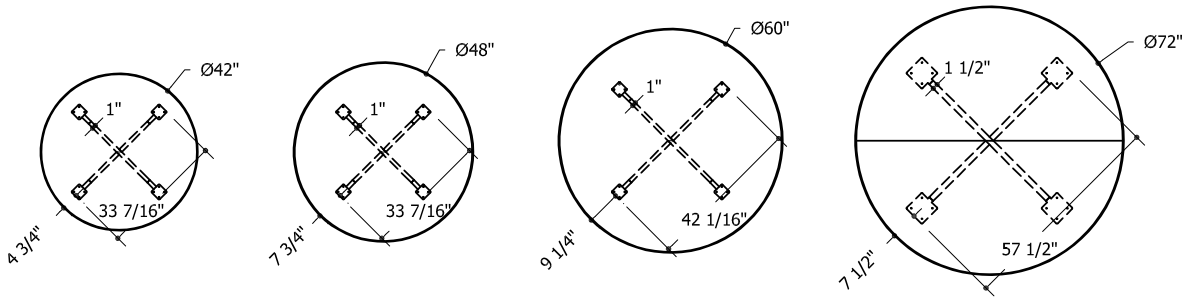
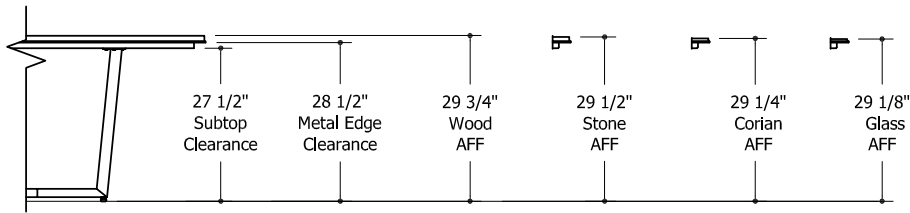


- AC Module Plug In (PI)
- 7.5' detachable soft cord
 - 6A max per module

Highline Collection

Meeting Tables

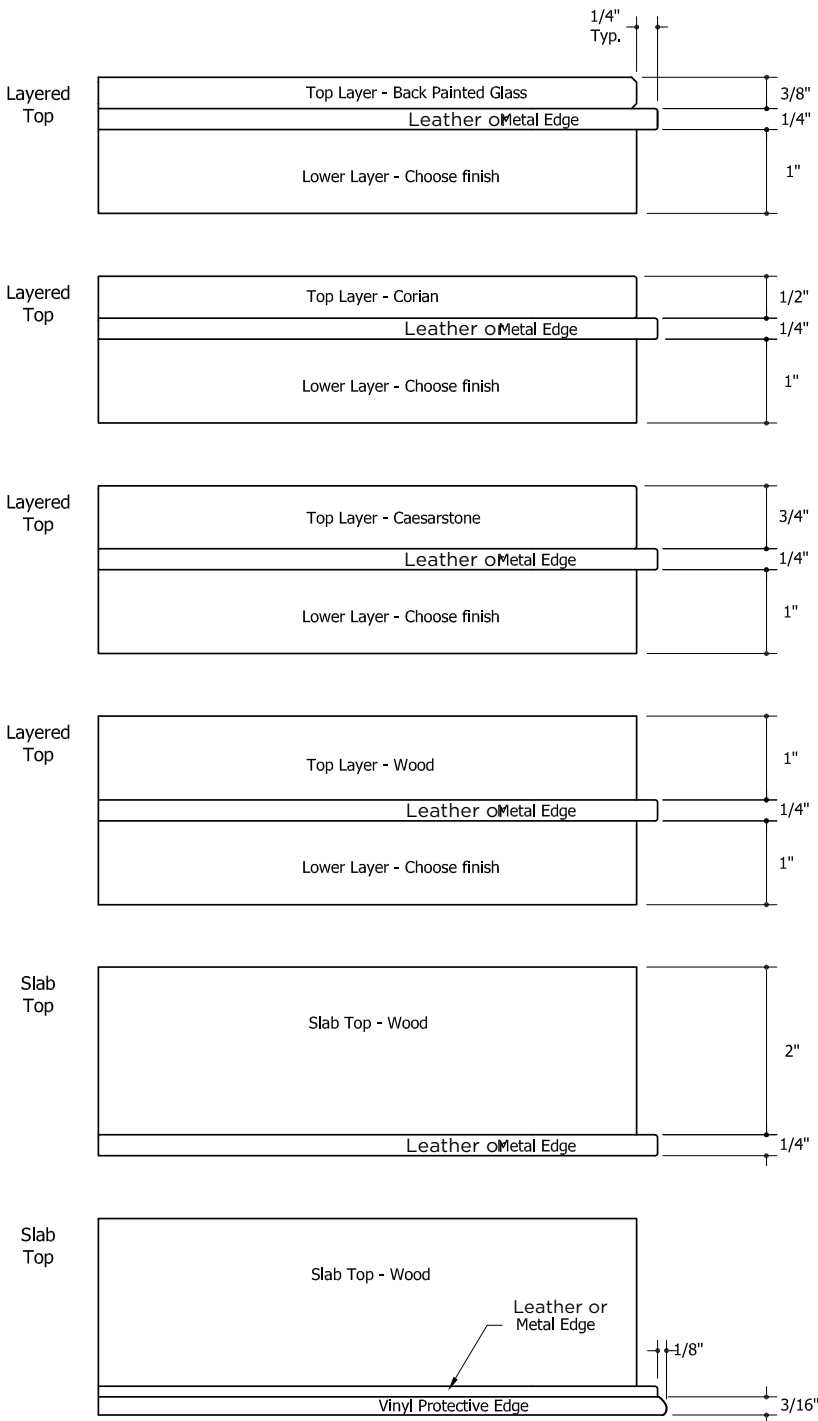
Overall Elevations and Clearance



Highline Fifty Collection

Meeting Tables

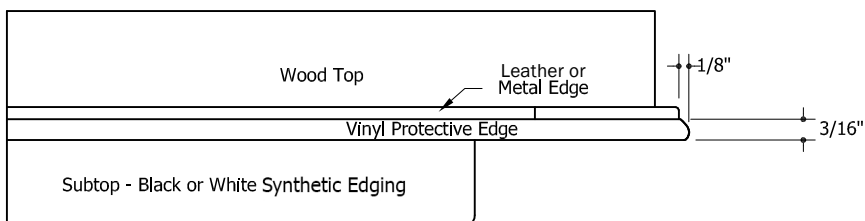
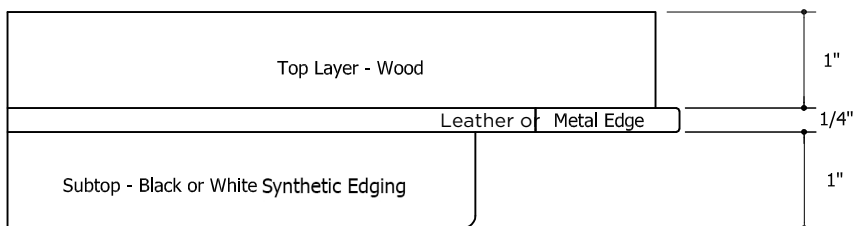
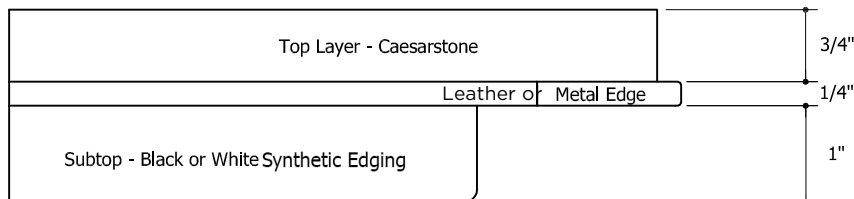
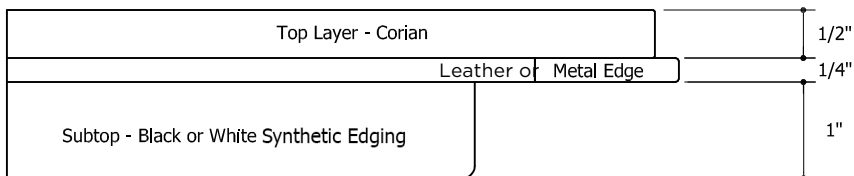
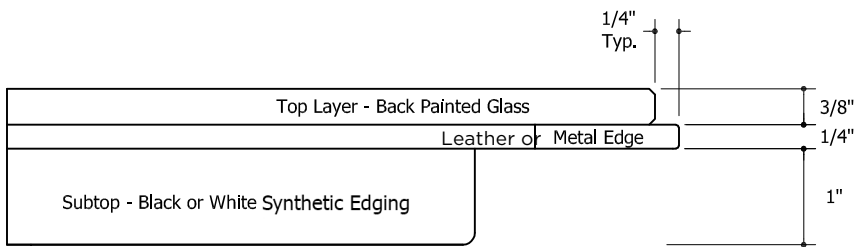
Top Construction



Highline Collection

Meeting Tables

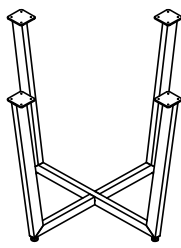
Top Construction



Highline Collection

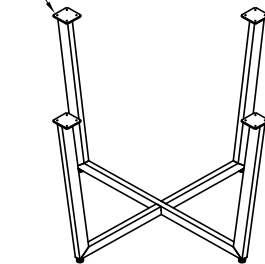
Meeting Tables

Base Construction

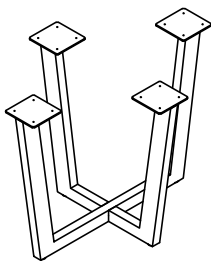


Small "X"- base

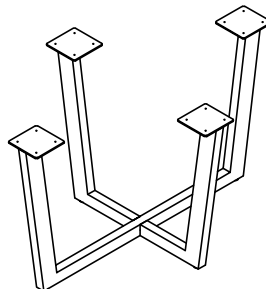
Mounting plates
Predrilled holes
in Subtop
for easy install



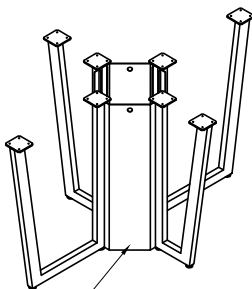
Large "X"- base



Small "XE"- base

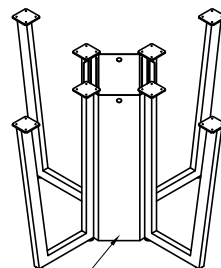


Large "XE"- base



"XEP"- base

Removable Access panels -
9 3/4" diameter clear opening
at floor for stub-up



"XP"- base

Removable Access panels -
9 3/4" diameter clear opening
at floor for stub-up

Construction

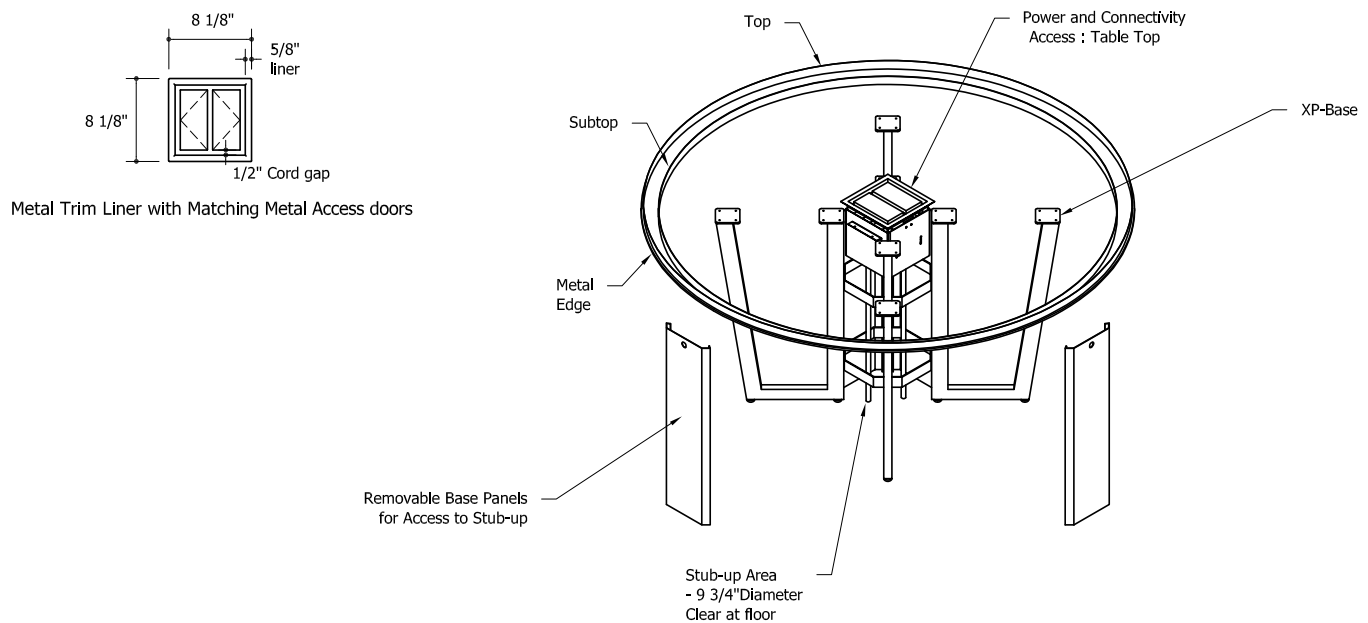
- Tubular steel "X" base
- Small "X" base: 42" / 48" Round and Square meeting tables
- Large "X" base: 60" / 72" Round and Square meeting tables
- Small "XE" base: 42" Elliptical meeting tables
- Large "XE" base: 48" Elliptical meeting tables
- "XP" Wire Management base is automatically included when power and connectivity are specified on Square and Round meeting tables
- "XEP" Wire Management base is automatically included used when power and connectivity are specified on Elliptical meeting tables

Highline Collection

Meeting Tables

Power & Connectivity

Table Top



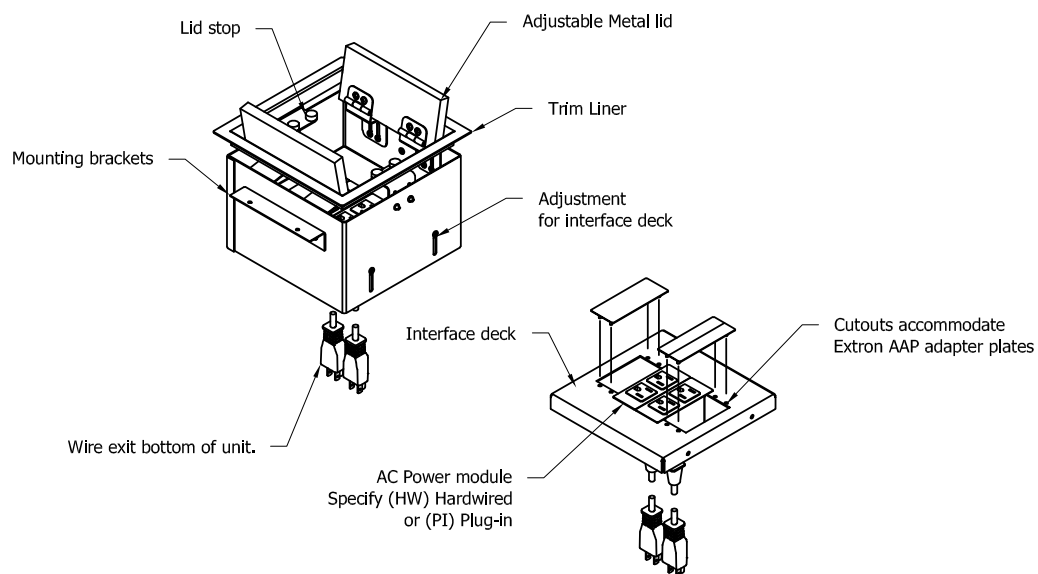
- Meeting Table Top access (shown populated)
- Provided with 2 AC power modules - specify hardwired (HW) or plug in (PI), 1 double and 2 single space blank plates
 - For additional connectivity, replace blank plates with Extron single or double space AAP plates as desired. For more information see extron.com

Highline Collection

Meeting Tables

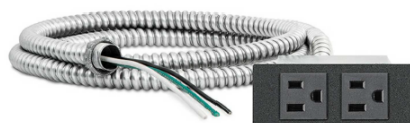
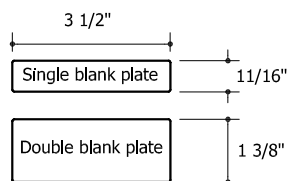
Power & Connectivity

Table Top



Meeting Table Top access

- Provided with 2 AC power modules - specify hardwired (HW) or plug in (PI), 1 double and 2 single space blank plates
- For additional connectivity replace blank plates with Extron single or double space AAP plates as desired. For more information see extron.com



- AC Module Hardwired (HW)
- 3/8" diameter x 6' long metal-clad cable with 6" pigtail
 - Additional knockouts for series wiring
 - 12A max per module



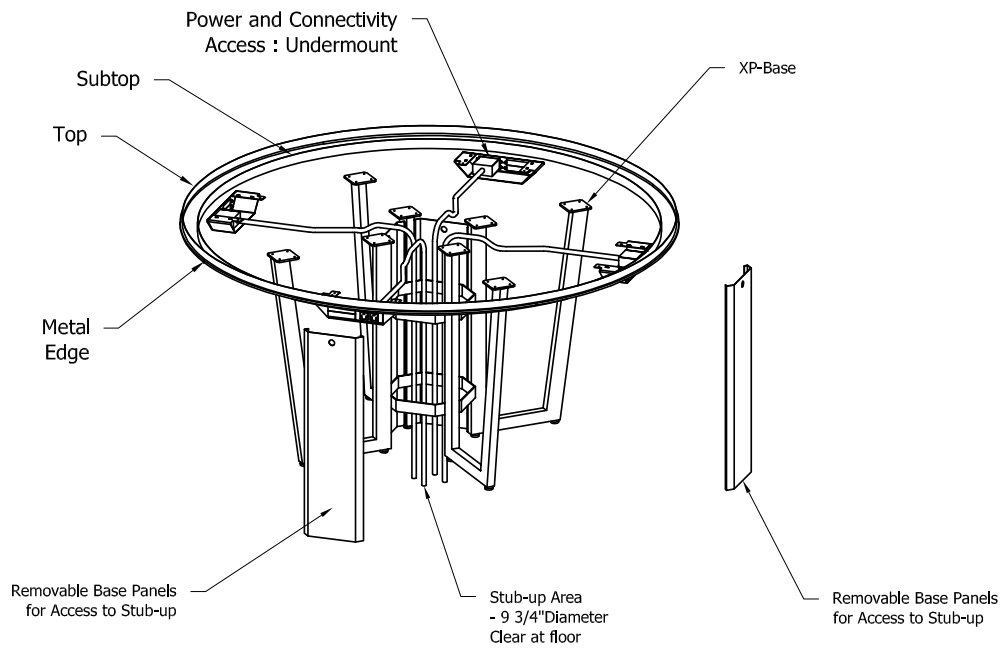
- AC Module Plug In (PI)
- 7.5' detachable soft cord
 - 6A max per module

Highline Collection

Meeting Tables

Power & Connectivity

Undermount



Undermount access (shown populated)

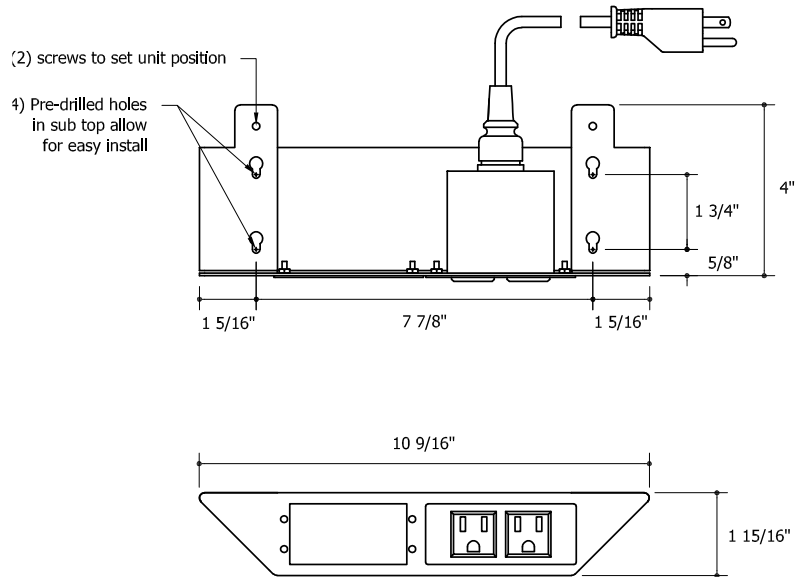
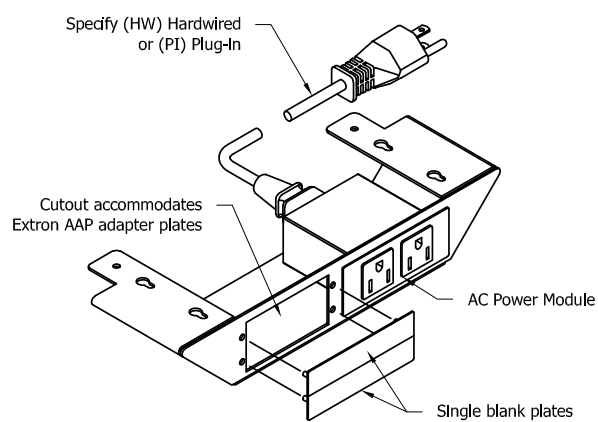
- Interior: Black powder coat metallic finish (MC12)
- Provided with 1 AC power module - specify hardwired (HW) or plug in (PI), and 2 single space blank plates
- For additional connectivity, replace blank plates with Extron single or double space AAP plates as desired. For more information see extron.com

Highline Collection

Meeting Tables

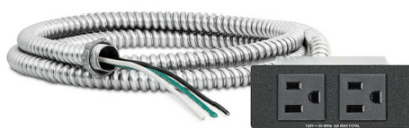
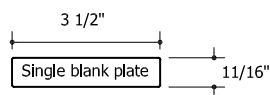
Power & Connectivity

Undermount



Undermount Access

- Interior: Black powder coat metallic finish (MC12)
- Provided with 1 AC power module - specify hardwired (HW) or plug in (PI), and 2 single space blank plates
- For additional connectivity, replace blank plates with Extron single or double space AAP plates as desired. For more information



- AC Module Hardwired (HW)
- 3/8" diameter x 6' long metal-clad cable with 6" pigtail
 - Additional knockouts for series wiring
 - 12A max per module

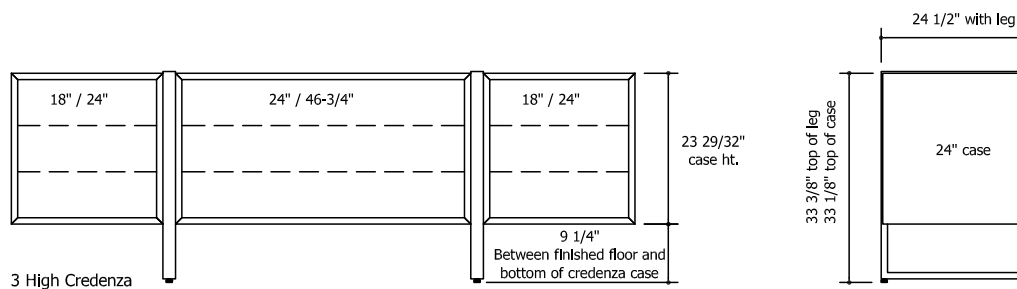
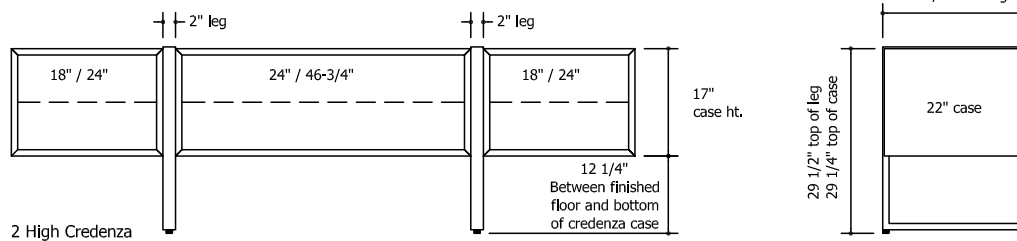
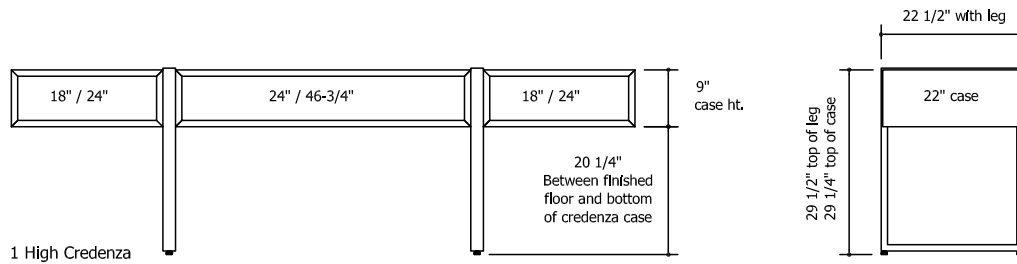
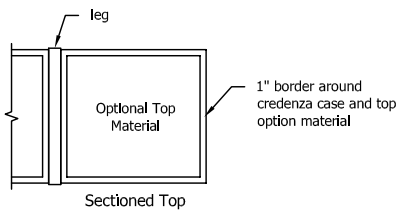
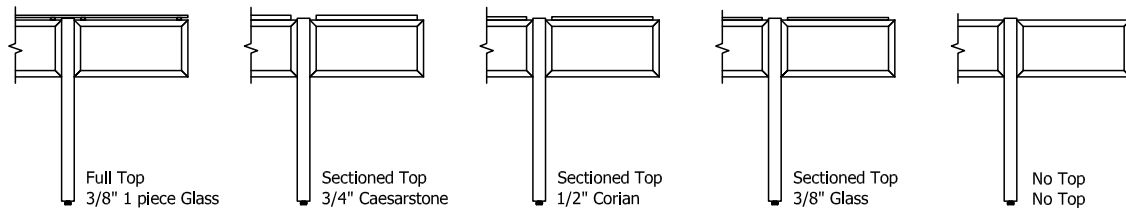


- AC Module Plug In (PI)
- 7.5' detachable soft cord
 - 6A max per module

Highline Collection

Credenzas

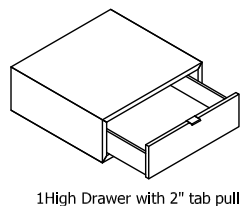
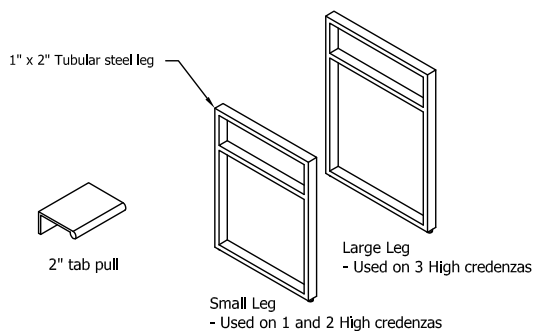
Elevations and Optional Tops



Highline Collection

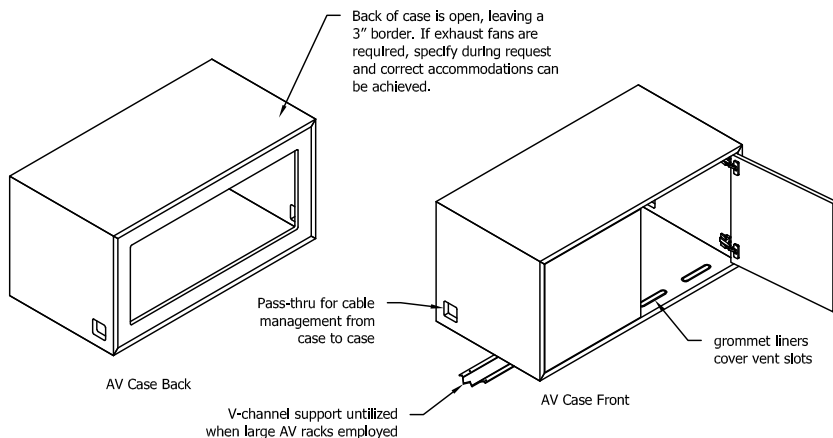
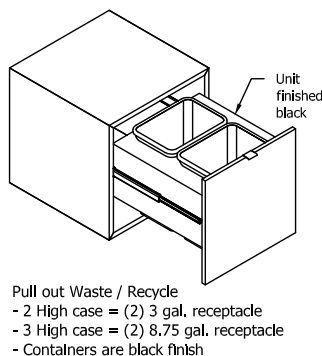
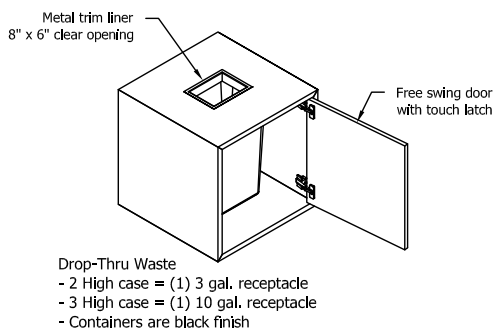
Credenza

Leg and Case Details



Credenza Notes

- Pulls and trash liners come in the specified metal finish
- All drawers have a 2" tab pull located in the center of the top edge of each drawer front
- All drawers use partial extension, self-closing undermount slides
- Pull-out trash units use full extension side mount slides
- All doors use free swing hinges and touch latches
- All credenza top material finishes are secured to the case with silicone except for tops finished with full clear glass (FG GC00)
- Full clear glass (FG GC00) rests atop of 3/8" bumpers located on top of case
- Drop-through trash option is available with all top options except with full clear glass (FG GC00)



AV CASE

- All AV cases have an open back with a 3" border
- Coordinate AV requirements with the interior clearance dimensions provided below to ensure fit

18" Case

14.25" wide x 22.18" deep x 21.15" high

24" Case

20.25" wide x 22.18" deep x 21.15" high

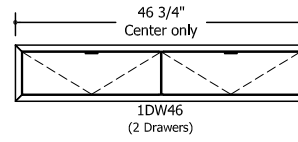
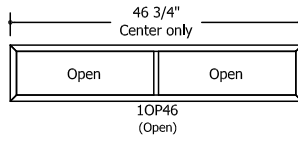
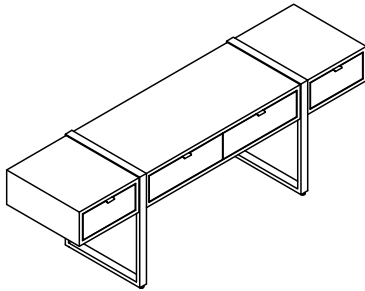
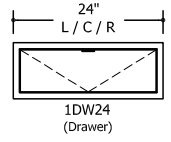
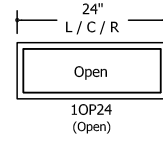
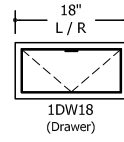
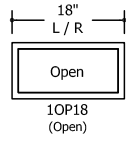
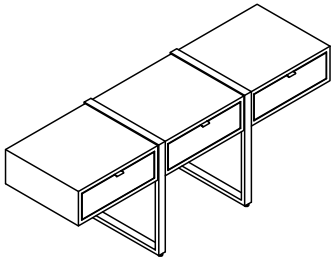
47" Case

41.25" wide x 22.18" deep x 21.15" high

Highline Collection

1 High Credenza

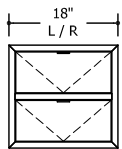
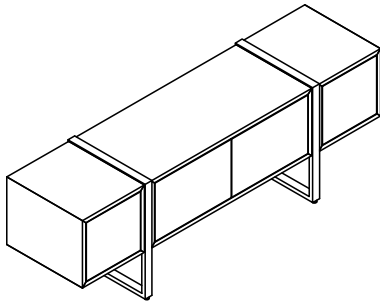
Positional Configurations



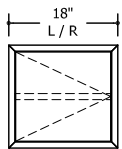
Highline Collection

2 High Credenzas

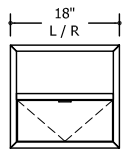
Positional Configurations



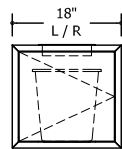
18"
L / R
2DW18
(2 Drawers)



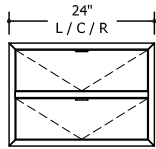
18"
L / R
2DR18
(Door w/adj. Shelf)



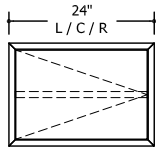
18"
L / R
2OW18
(Open over Drawer)



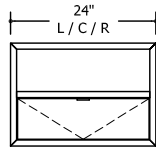
18"
L / R
2TT18
(Trash thru Top
w/1 single can only)



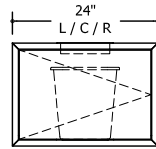
24"
L / C / R
2DW24
(2 Drawers)



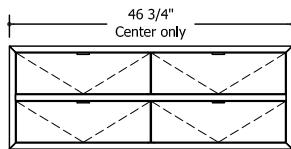
24"
L / C / R
2DR24
(Door w/adj. Shelf)



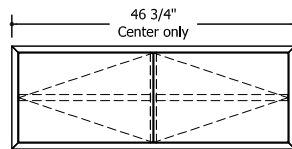
24"
L / C / R
2OW24
(Open over Drawer)



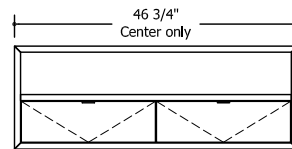
24"
L / C / R
2TT24
(Trash thru Top
w/1 single can only)



46 3/4"
Center only
2DW46
(4 Drawers)



46 3/4"
Center only
2DR46
(2 Doors w/2 adj. Shelves)

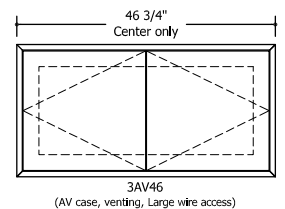
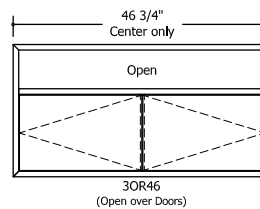
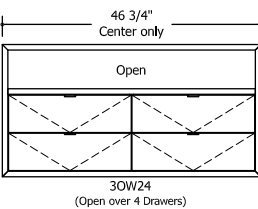
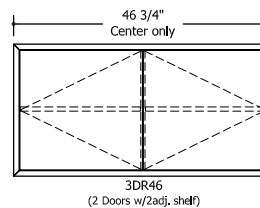
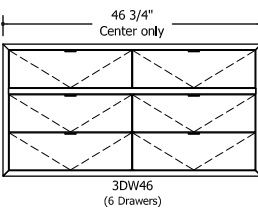
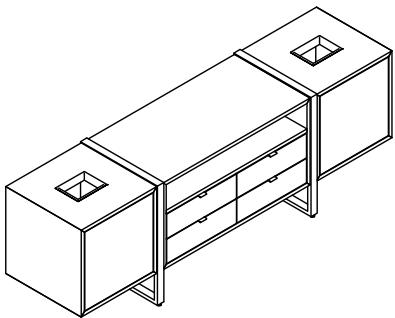
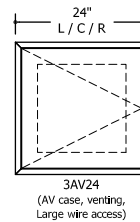
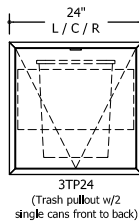
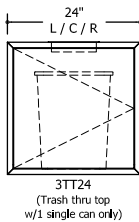
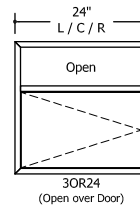
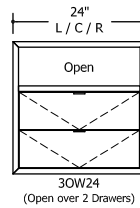
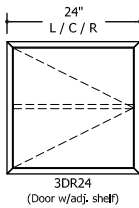
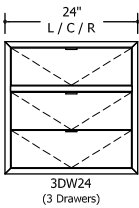
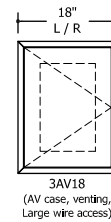
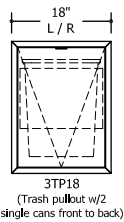
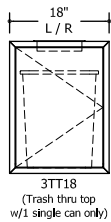
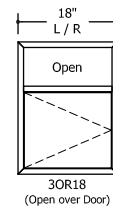
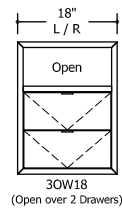
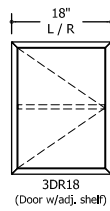
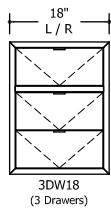
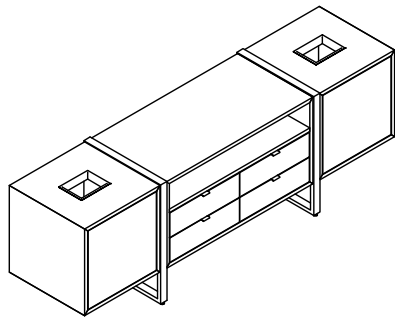


46 3/4"
Center only
2OW46
(Open over 2 Drawers)

Highline Collection

3 High Credenzas

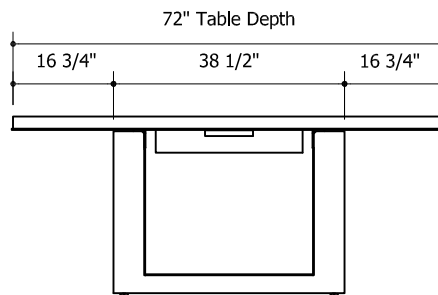
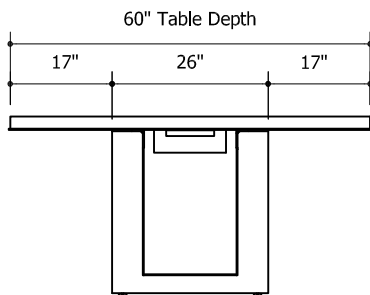
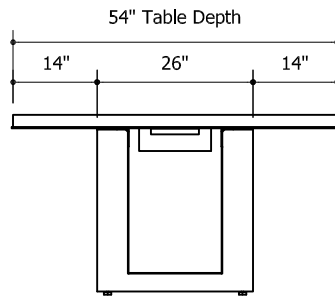
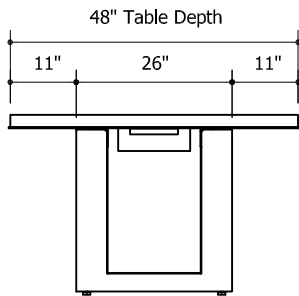
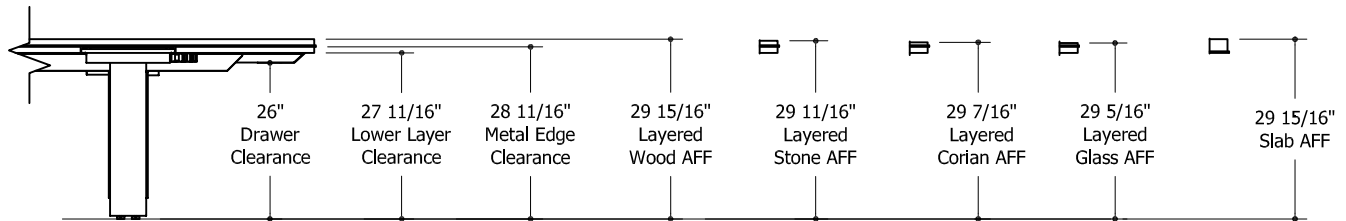
Positional Configurations



Highline Fifty Collection

Conference Tables

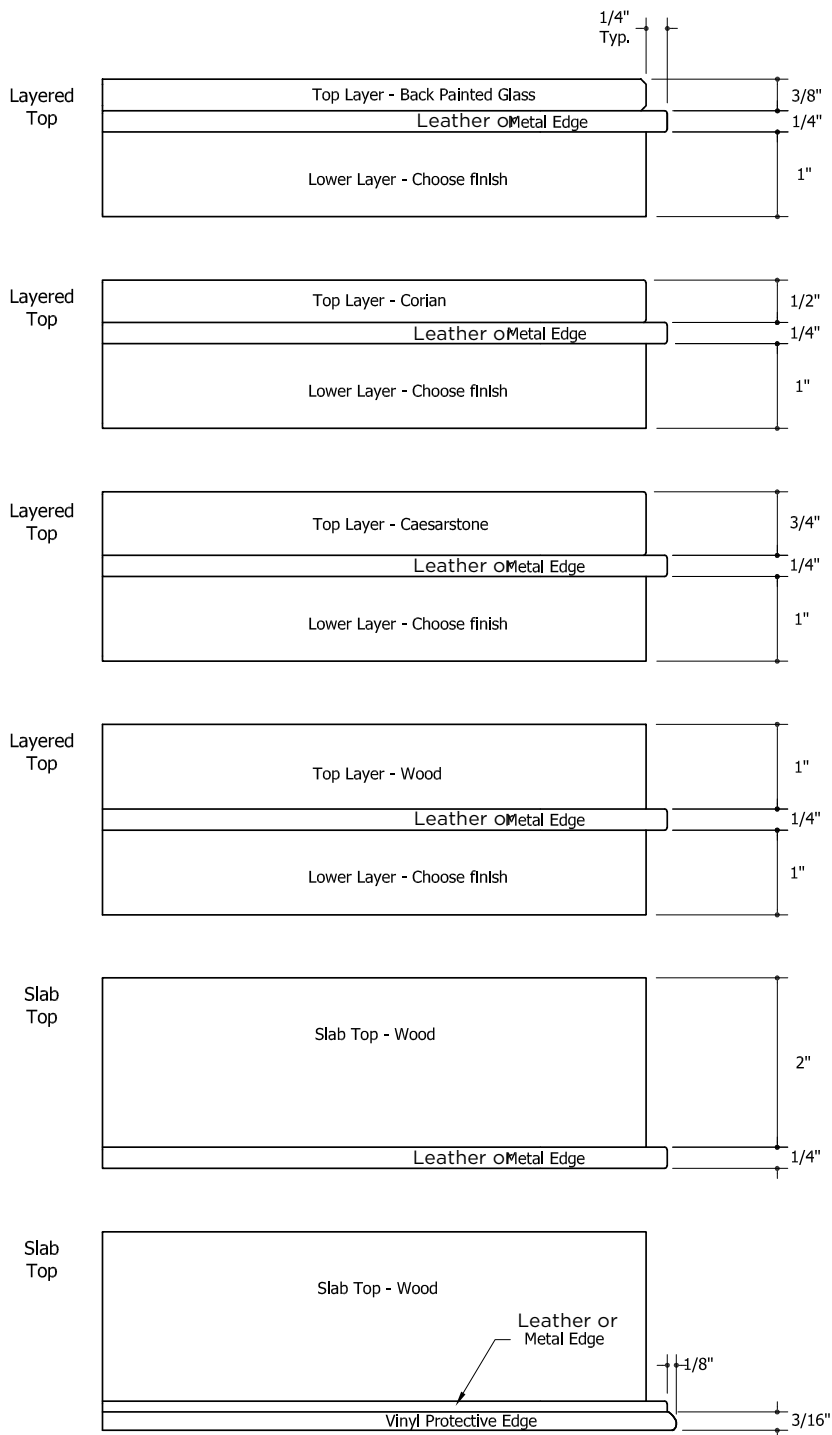
Overall Elevations and Clearance



Highline Fifty Collection

Conference Tables

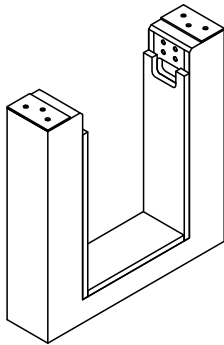
Top Construction



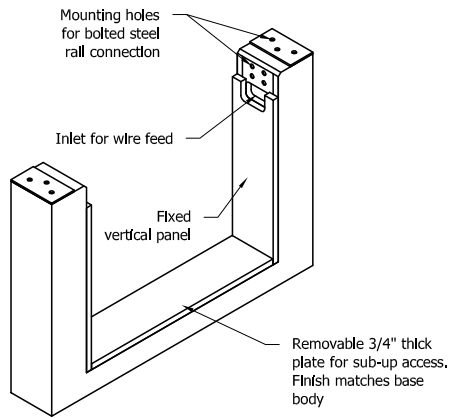
Highline Fifty Collection

Conference Tables

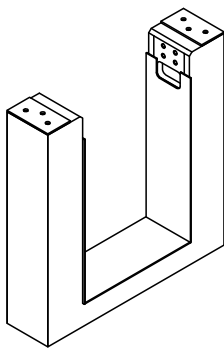
Base Construction



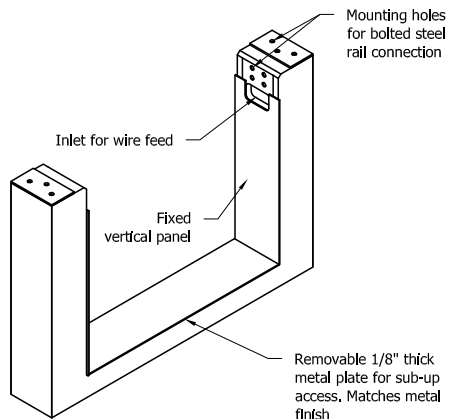
Small base : 42" / 48" / 54" / 60" Deep Tables
"ON" Open Base, no metal trim



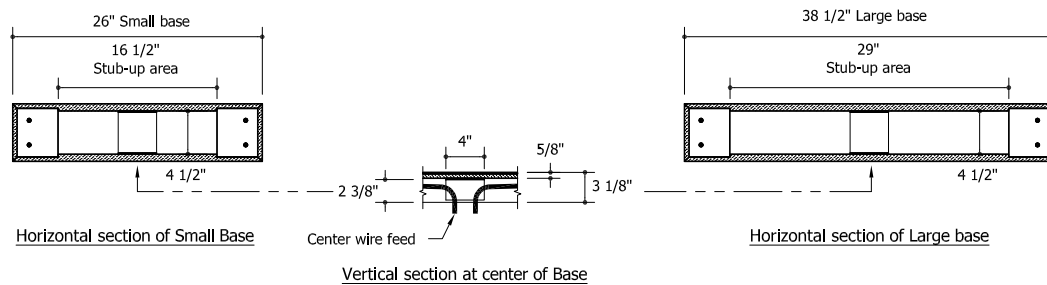
Large base : 72" Deep Tables
"ON" Open Base, no metal trim



Small base : 42" / 48" / 54" / 60" Deep Tables
"OT" Open Base, with metal trim

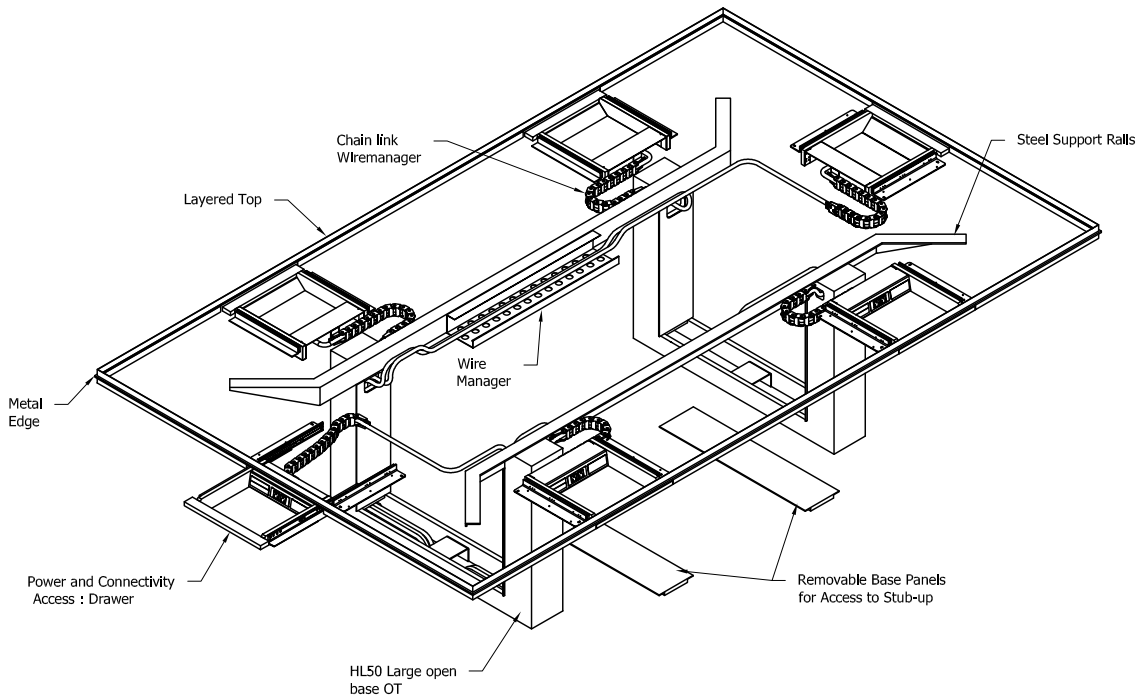


Large base : 72" Deep Tables
"OT" Open Base, with metal trim



Highline Fifty Collection

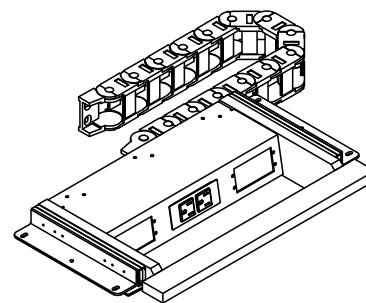
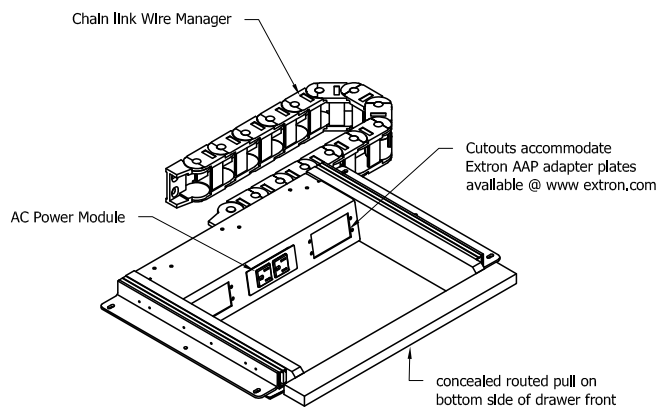
Conference Tables
Power & Connectivity
Drawers



- Drawer (shown populated)
- Interior: Black powder coat metallic finish (MC12)
 - Provided with 1 AC power module - specify hardwired (HW) or plug in (PI), and 2 single space blank plates
 - For additional connectivity, replace blank plates with Extron single or double space AAP plates as desired. For more information see

Highline Fifty Collection

Conference Tables Power & Connectivity Drawers

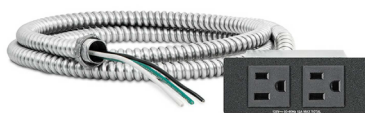
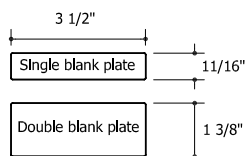


Large Drawer

- 6 1/2" deep x 12 3/4" wide flat storage with 2 1/2" interior height
- 3/8" gap above drawer for cord exit
- Concealed routed finger pull under front
- Used at table ends
- Used along the length of 60" / 72" deep tables
- Interior drawer finish: Black powder coat metallic (MC12)
- Drawer front matches lower layer finish
- Provided with 1 AC power module - specify hardwired (HW) or plug in (PI), and 2 single space blank plates

Small Drawer

- 1 7/8" deep x 12 3/4" wide flat storage with 2 1/2" interior height
- 3/8" gap above drawer for cord exit
- Concealed routed finger pull under front
- Used along the length of 48" / 54" deep tables
- Interior drawer finish: Black powder coat metallic (MC12)
- Drawer front matches lower layer finish
- Provided with 1 AC power module - specify hardwired (HW) or plug in (PI), and 2 single space blank plates



AC Module Hardwired (HW)

- 3/8" diameter x 6' long metal-clad cable with 6" pigtail
- Additional knockouts for series wiring
- 12A max per module



AC Module Plug In (PI)

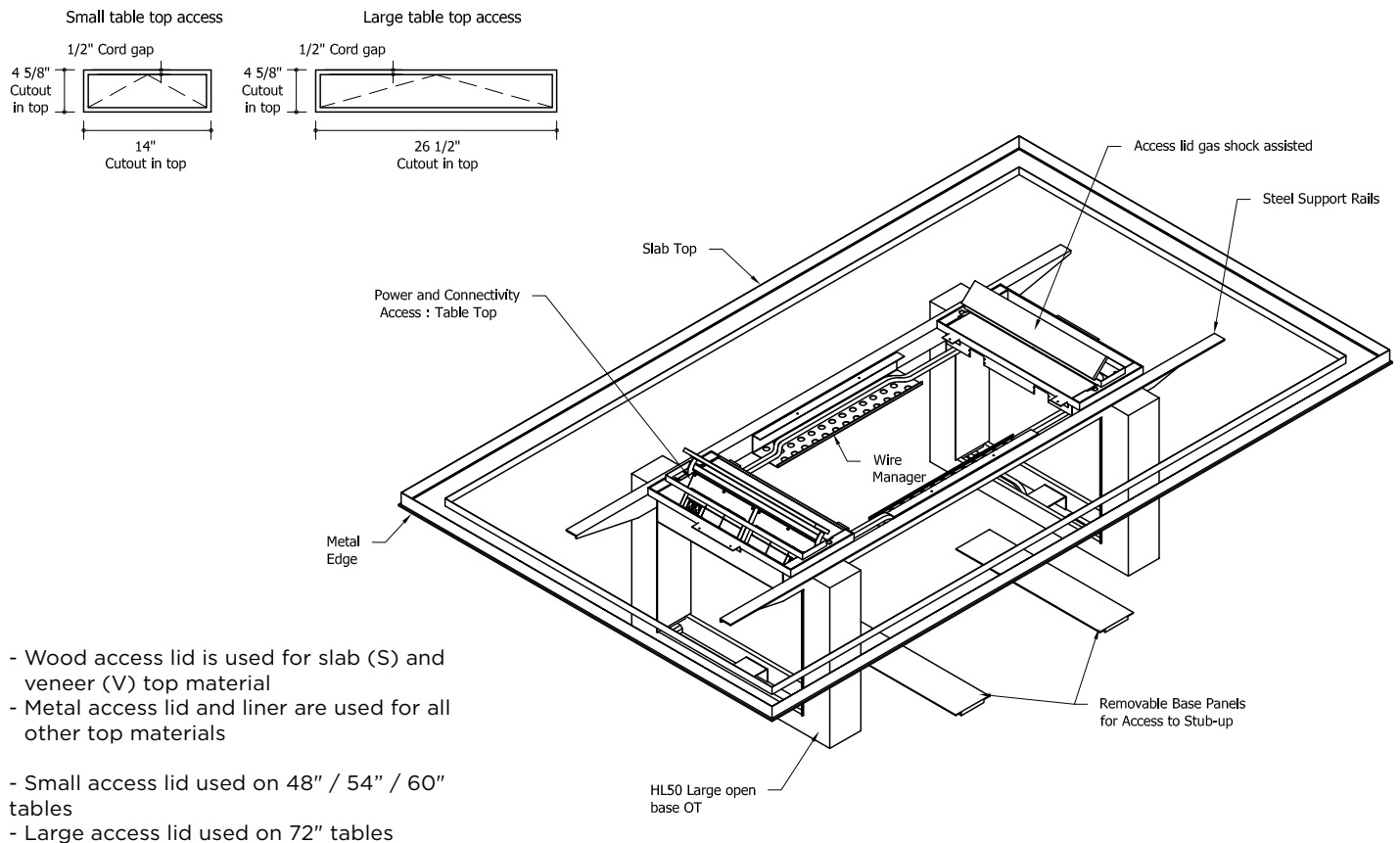
- 7.5' detachable soft cord
- 6A max per module

Highline Fifty Collection

Conference Tables

Power & Connectivity

Table Top: Small and Large



Small Table Top access (shown populated)

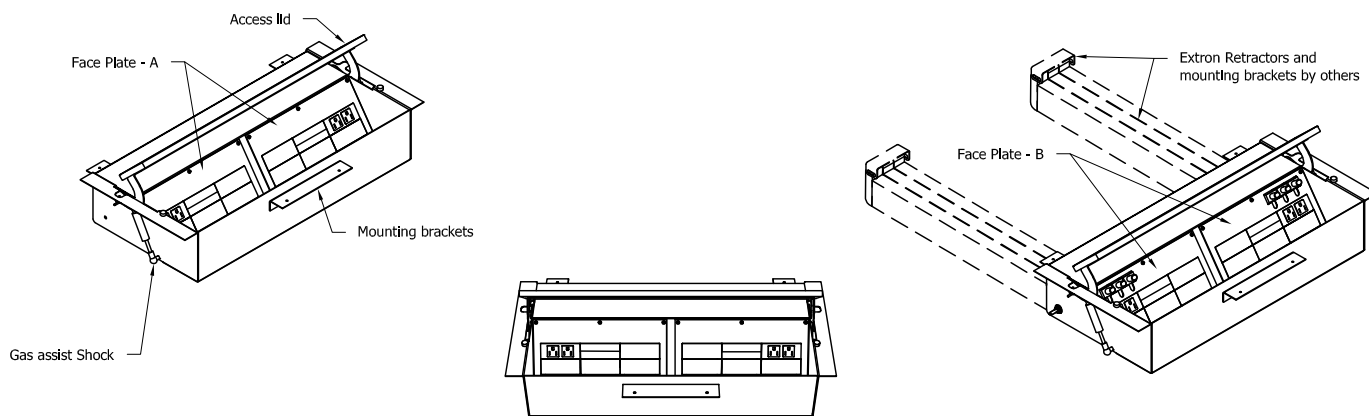


Small Table Top access (shown with optional faceplate)

- Provided with 2 AC power modules - specify hardwired (HW) or plug in (PI), 3 double space and 2 single space blank plates
- For additional connectivity, replace blank plates with Extron single or double space AAP plates as desired. For more information see extron.com

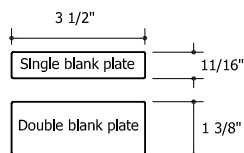
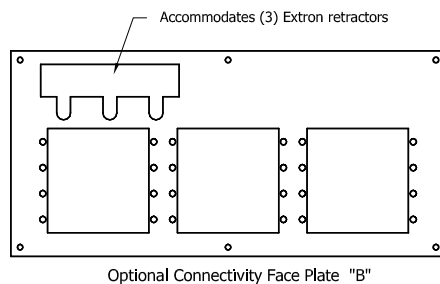
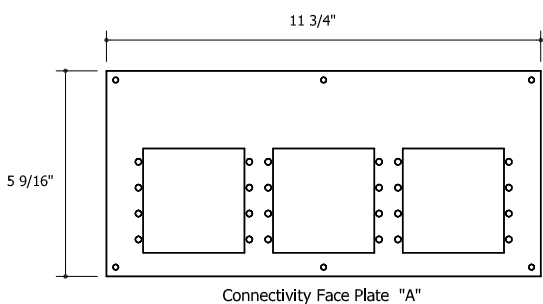
Highline Fifty Collection

Conference Tables Power & Connectivity Table Top: Large



- Interior: Black powder coat metallic finish (MC12)
- Used on 48" / 54" / 60" width tables
- Connectivity: Face Plate "A" Qty 2 is standard
- Connectivity: Face Plate "B" is used with Extron retractors
- Face Plates are removable to allow for easy population by AV

- installer
- Provided with 2 AC power modules - specify hardwired (HW) or plug in (PI), 8 double space and 4 single space blank plates
- For additional connectivity, replace blank plates with Extron single



- AC Module Hardwired (HW)
- 3/8" diameter x 6' long metal-clad cable with 6" pigtail
 - Additional knockouts for series wiring
 - 12A max per module



- AC Module Plug In (PI)
- 7.5' detachable soft cord
 - 6A max per module

Highline Fifty Collection

Conference Tables Power & Connectivity Table Top Small

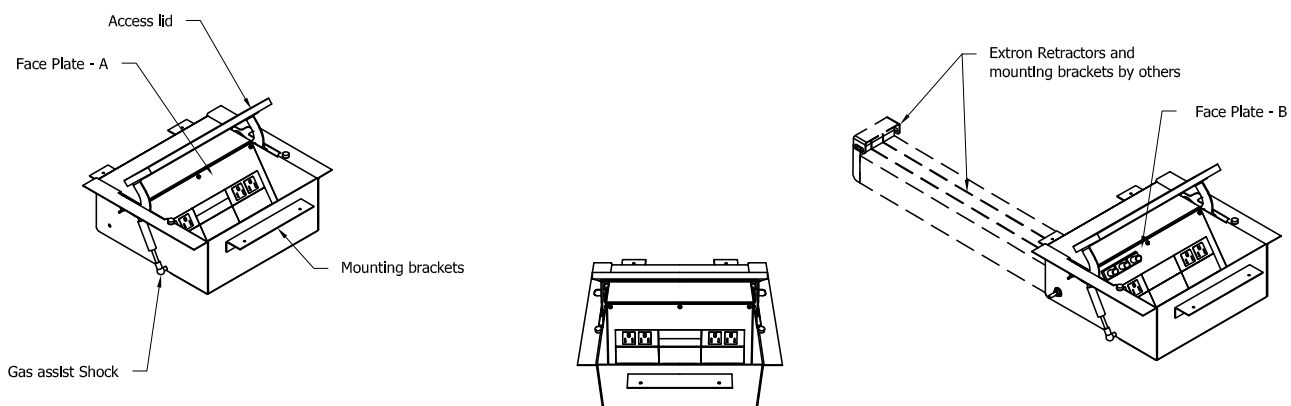
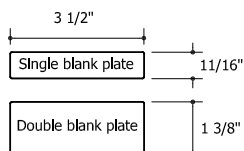
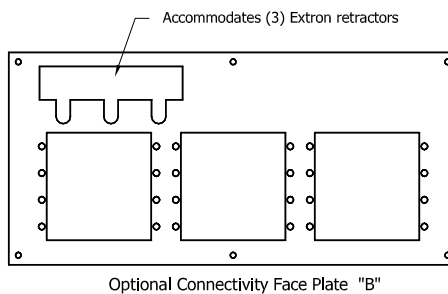
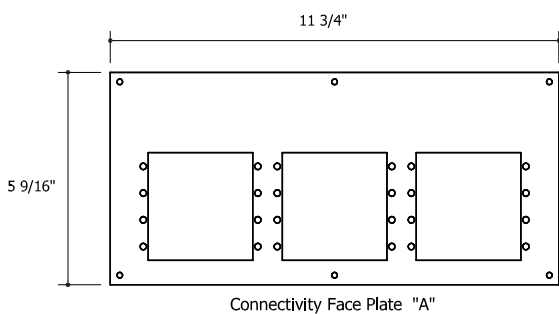


Table Top Access

- Interior: Black powder coat metallic finish (MC12)
- Used on 72" tables
- Connectivity: Face Plate "A" Qty 1 is standard
- Connectivity: Face Plate "B" Is used with Extron retractors
- Face Plates are removable to allow for easy population by AV

installer

- Provided with 2 AC power modules - specify hardwired (HW) or plug in (PI), 4 double space and 2 single space blank plates
- For additional connectivity, replace blank plates with Extron single or double space AAP plates as desired. For more information



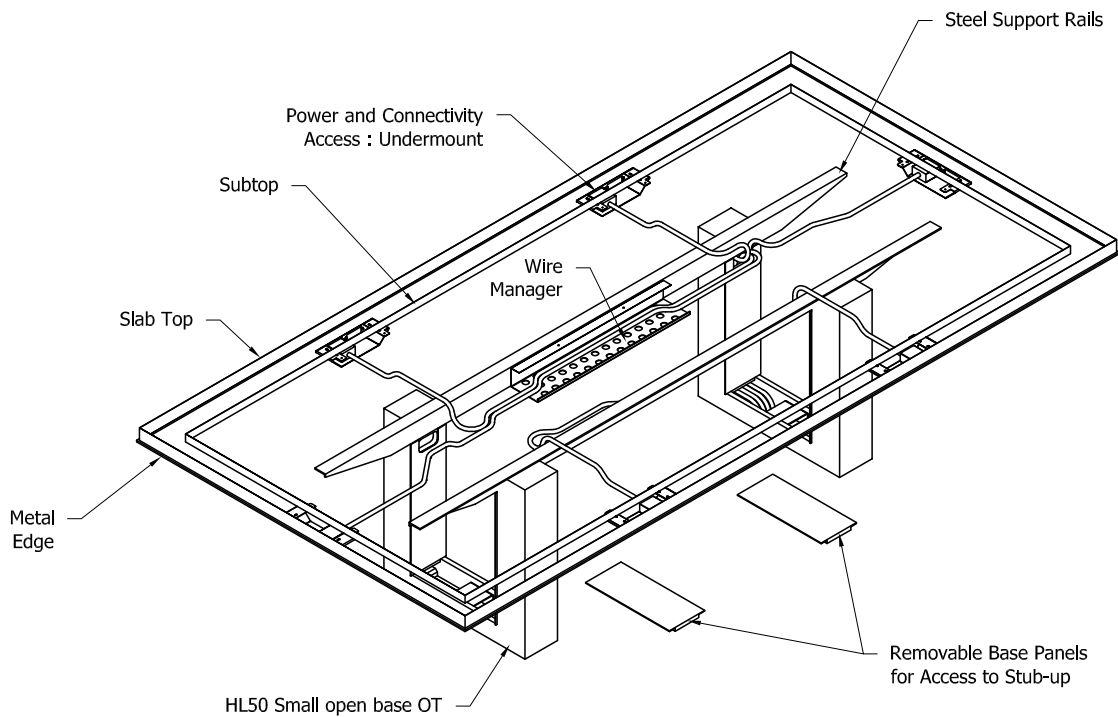
- AC Module Hardwired (HW)**
- 3/8" diameter x 6' long metal-clad cable with 6" pigtail
 - Additional knockouts for series wiring
 - 12A max per module



- AC Module Plug In (PI)**
- 7.5' detachable soft cord
 - 6A max per module

Highline Fifty Collection

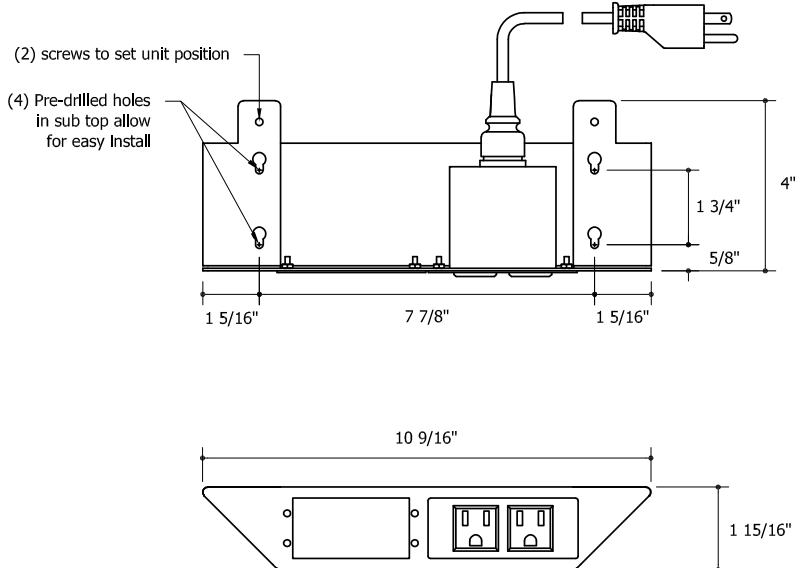
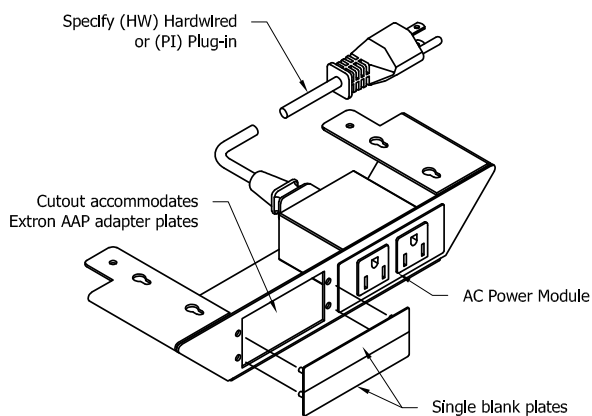
Conference Tables
Power & Connectivity
Undermount



- Undermount access (shown populated)
- Black powder coat metallic finish (MC12)
 - Provided with 1 AC power module - specify hardwired (HW) or plug in (PI), and 2 single space blank plates
 - For additional connectivity replace blank plates with Extron single or double space AAP plates as desired. For more information see extron.com

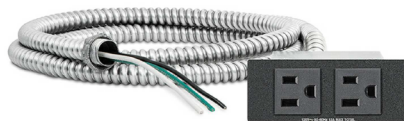
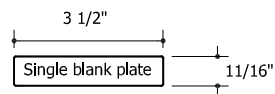
Highline Fifty Collection

Conference Tables Power & Connectivity Undermount



- Black powder coat metallic finish (MC12)
- Provided with 1 AC power module - specify hardwired (HW) or plug in (PI), and 2 single space blank plates
- For additional connectivity replace blank plates with Extron single

or double space AAP plates as desired. For more information see extron.com



- AC Module Hardwired (HW)
- 3/8" diameter x 6' long metal clad cable with 6" pigtail
 - Additional knockouts for series wiring
 - 12A max per module

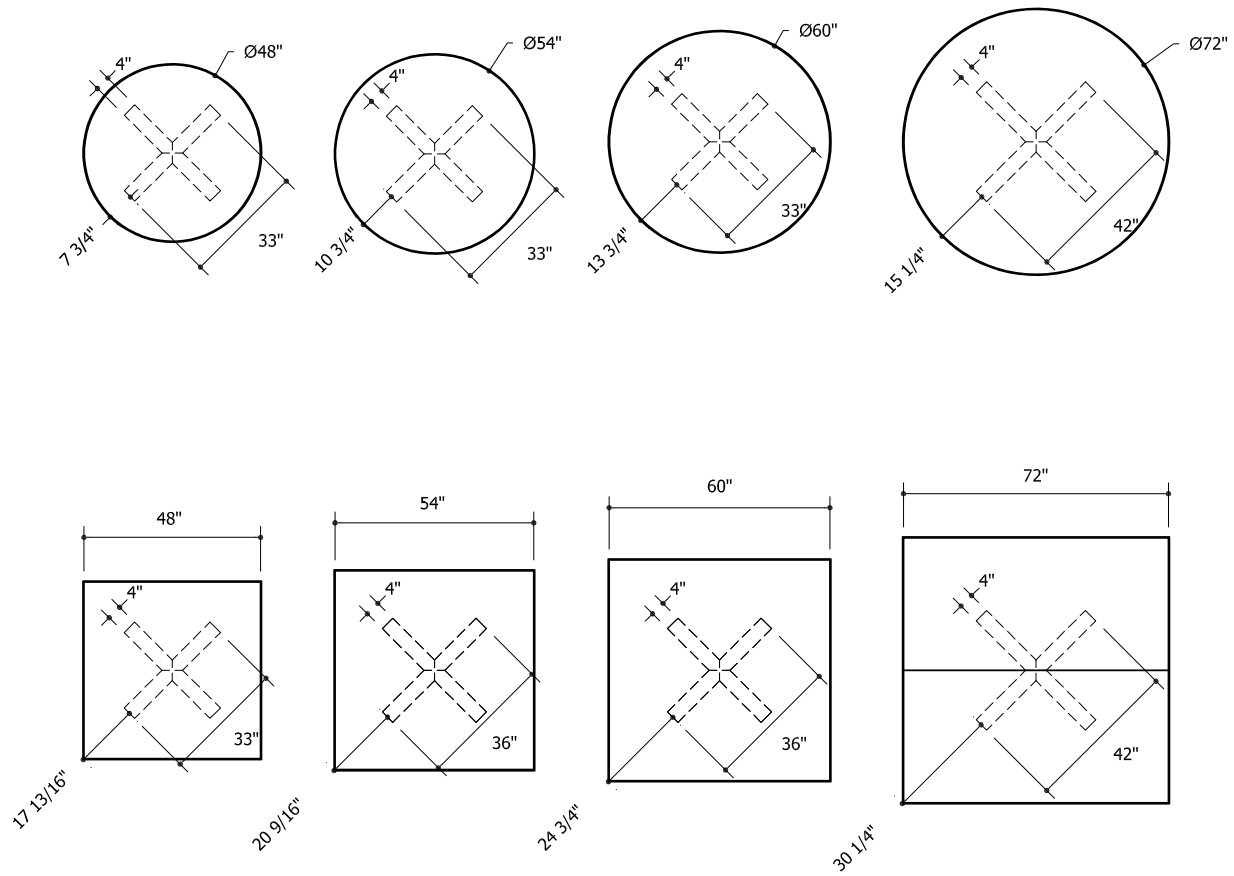
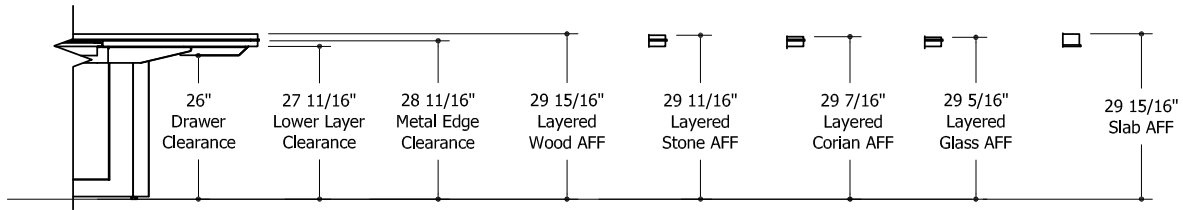


- AC Module Plug In (PI)
- 7.5' detachable soft cord
 - 6A max per module

Highline Fifty Collection

Meeting Tables

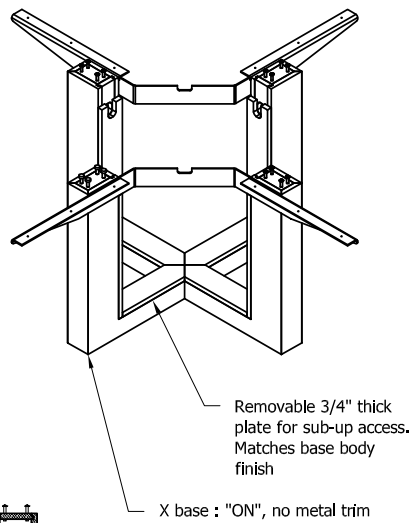
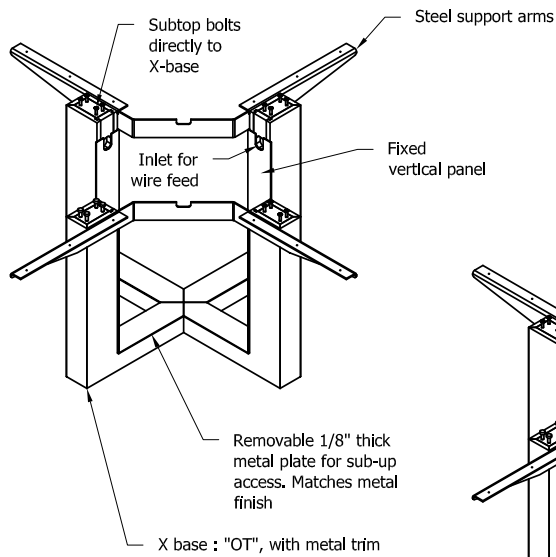
Overall Elevations and Clearance



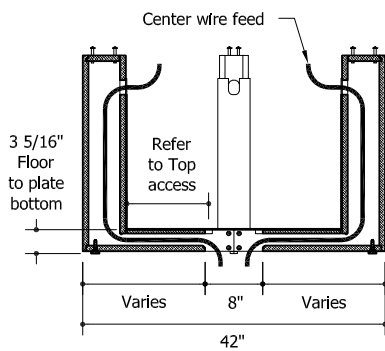
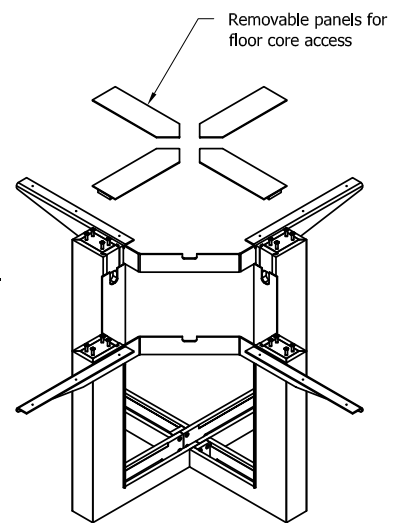
Highline Fifty Collection

Meeting Tables

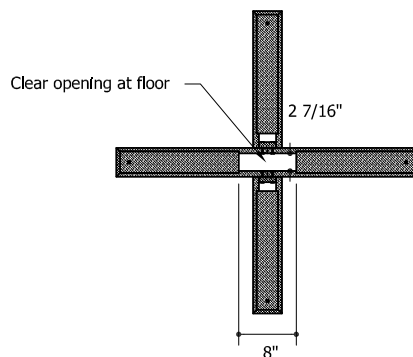
Base Construction



- HL03 X base :
- 33" fits - 48" Round
 - 48" Square
 - 54" Round
- 36" fits - 54" Square
 - 60" Round
 - 60" Square
- 42" fits - 72" Round
 - 72" Square



- Top access:
- 33" - 2 3/8" x 6 7/8"
 - 36" - 2 3/8" x 8 3/8"
 - 42" - 2 3/8" x 11 3/8"

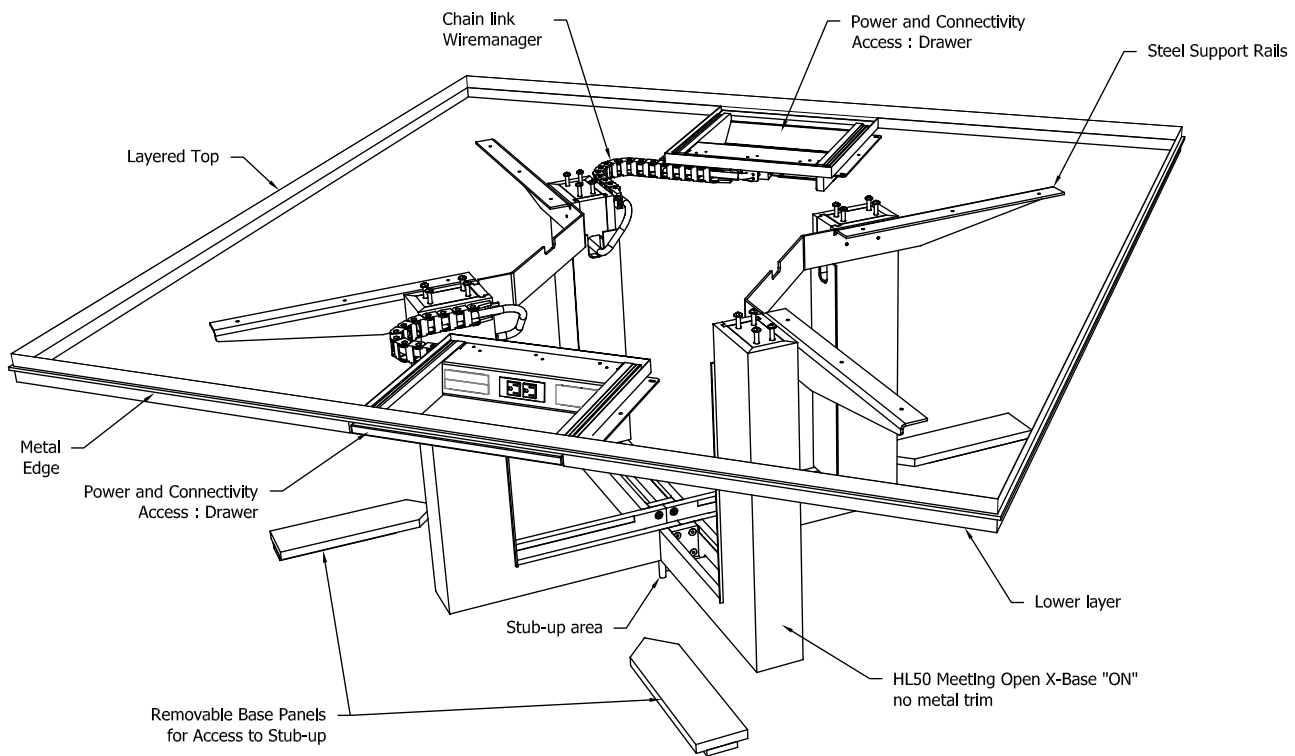


Highline Fifty Collection

Meeting Tables

Power & Connectivity

Drawers



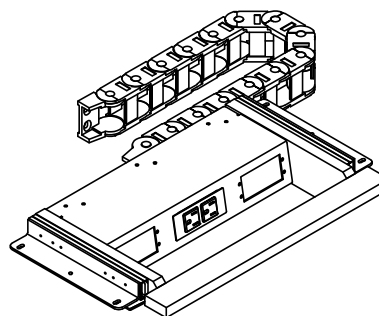
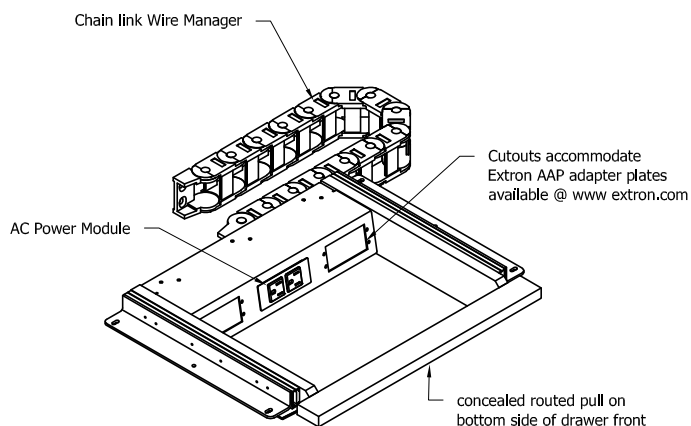
- Drawer (shown populated)
- Black powder coat metallic finish (MC12)
 - Provided with 1 AC power module - specify hardwired (HW) or plug in (PI), and 2 single space blank plates
 - For additional connectivity replace blank plates with Extron single or double space AAP plates as desired. For more information see extron.com

Highline Fifty Collection

Meeting Tables

Power & Connectivity

Drawers

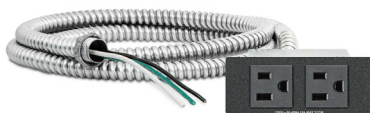
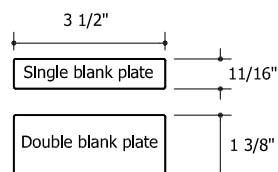


Large Drawer

- 6 1/2" deep x 12 3/4" wide flat storage with 2 1/2" interior height
- 3/8" gap above drawer for cord exit.
- Concealed routed finger pull under front
- Used at table ends
- Used along the length of 60" / 72" deep tables
- Interior drawer finish: Black powder coat metallic (MC12)
- Drawer front matches lower layer finish
- Provided with 1 AC power module - specify hard-wired (HW) or plug in (PI), and 2 single space blank plates

Small Drawer

- 1 7/8" deep x 12 3/4" wide flat storage with 2 1/2" interior height
- 3/8" gap above drawer for cord exit
- Concealed routed finger pull under front
- Used along the length of 48" / 54" deep tables
- Interior drawer finish: Black powder coat metallic (MC12)
- Drawer front matches lower layer finish
- Provided with 1 AC power module - specify hard-wired (HW) or plug in (PI), and 2 single space blank plates



AC Module Hardwired (HW)

- 3/8" diameter x 6' long metal clad cable with 6" pigtail
- Additional knockouts for series wiring
- 12A max per module



AC Module Plug In (PI)

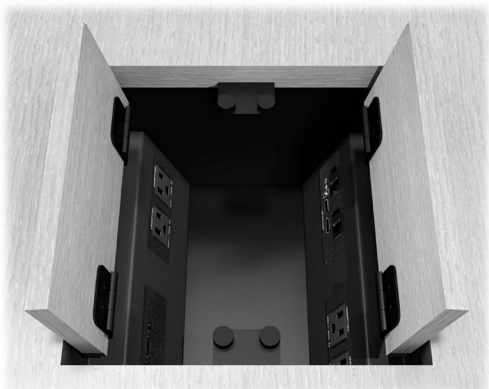
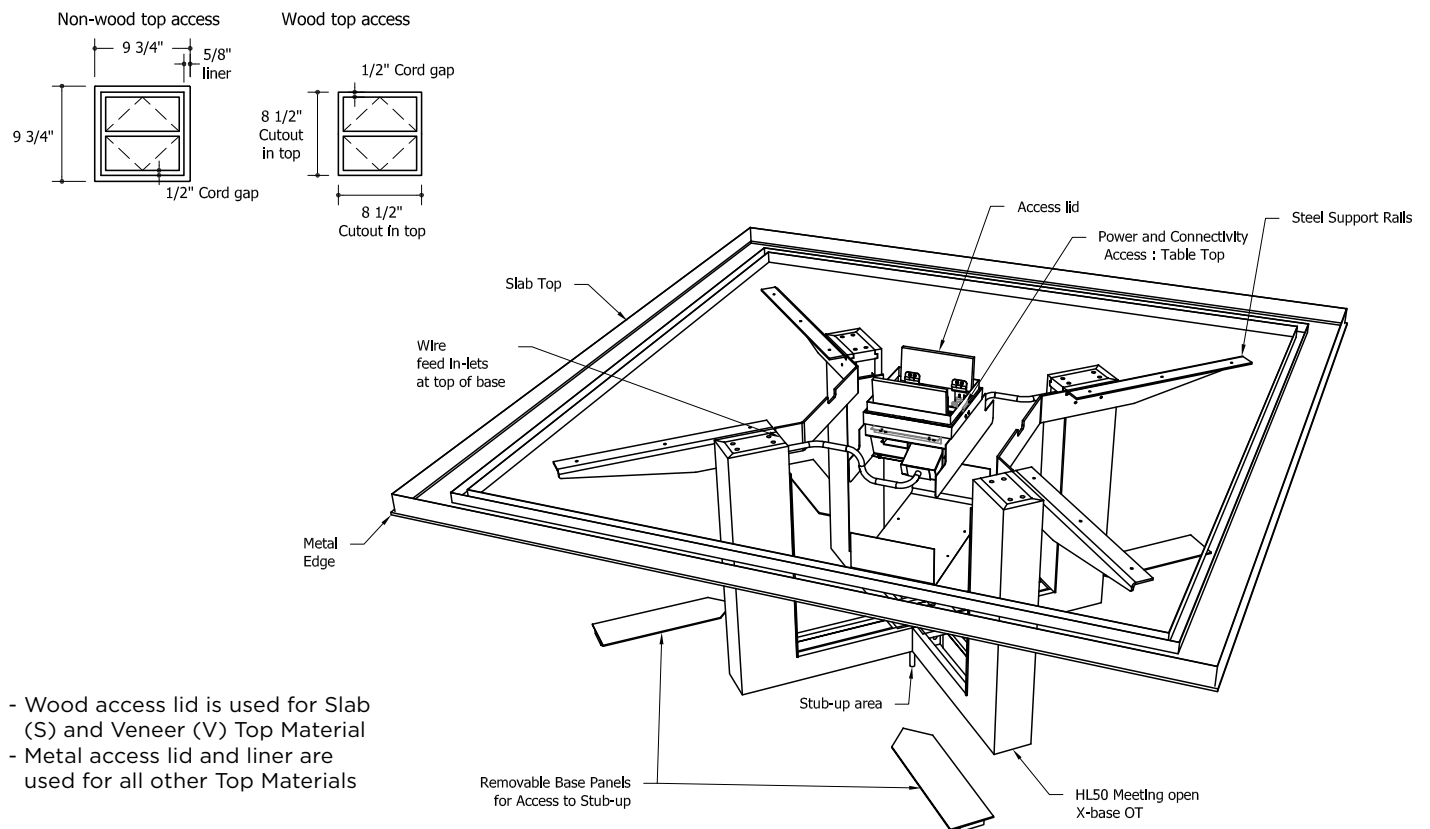
- 7.5' detachable soft cord
- 6A max per module

Highline Fifty Collection

Meeting Tables

Power & Connectivity

Table Top



Meeting Table Top Access (shown populated)

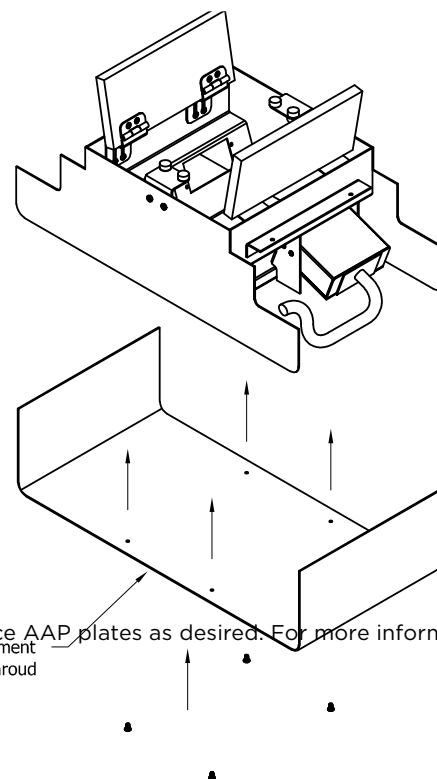
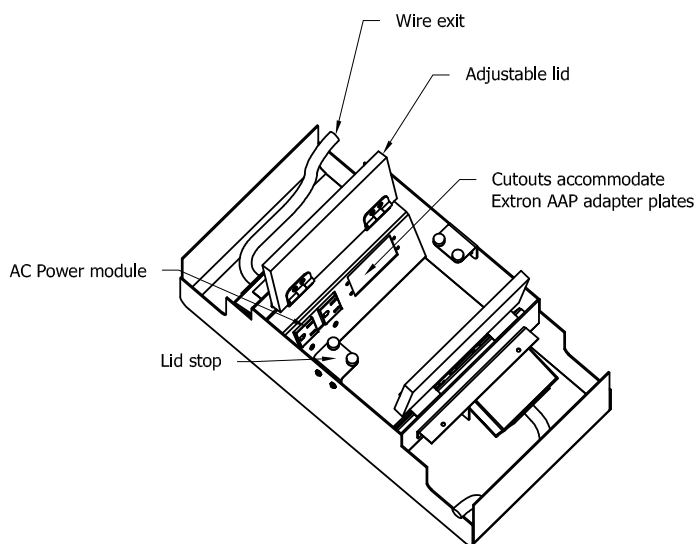
- Provided with 2 AC power modules - specify hardwired (HW) or plug in (PI), 1 double and 2 single space blank plates
- For additional connectivity replace blank plates with Extron single or double space AAP plates as desired. For more information see extron.com

Highline Fifty Collection

Meeting Tables

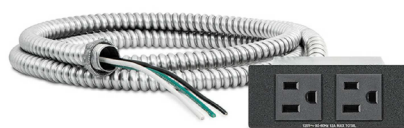
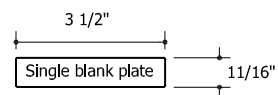
Power & Connectivity

Table Top



Meeting Table Top access

- Provided with 2 AC power modules-specify hardwired (HW) or plug in (PI), 1 double and 2 single space blank plates
- For additional connectivity replace blank plates with Extron single



- AC Module Hardwired (HW)
- 3/8" diameter x 6' long metal clad cable with 6" pigtail
 - Additional knockouts for series wiring
 - 12A max per module



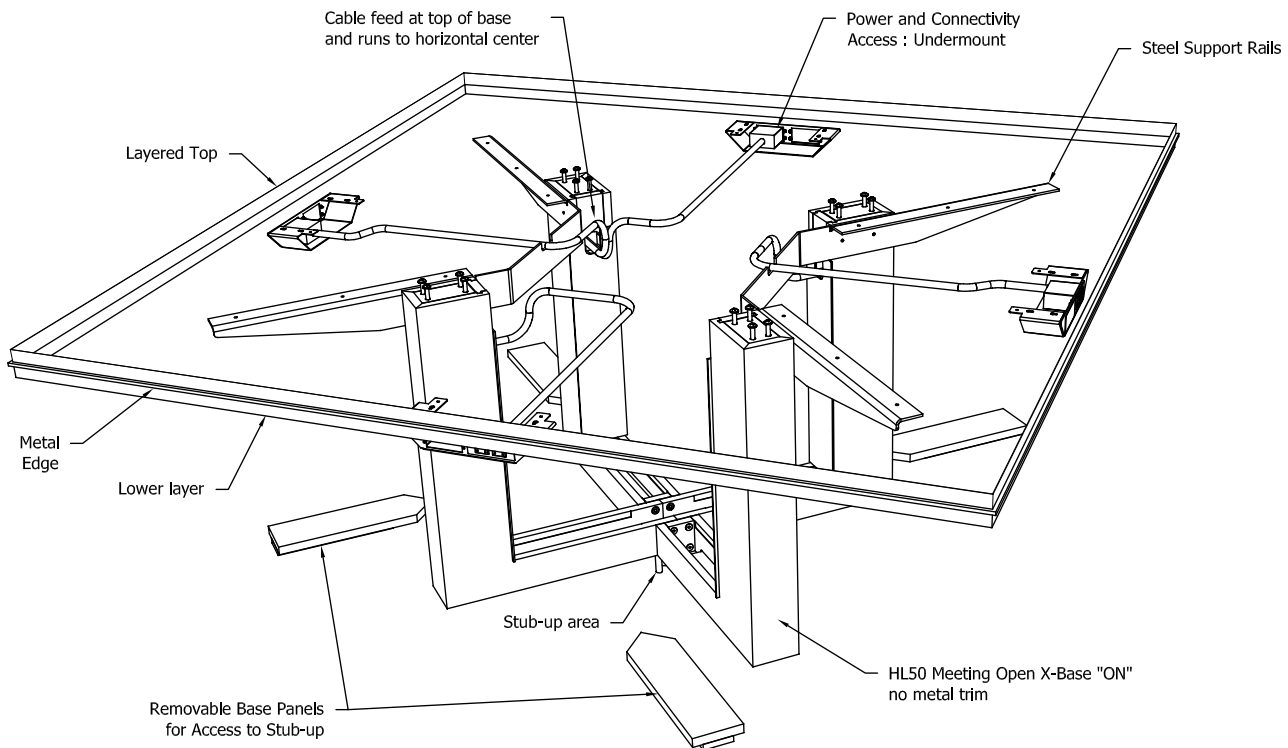
- AC Module Plug In (PI)
- 7.5' detachable soft cord
 - 6A max per module

Highline Fifty Collection

Meeting Tables

Power & Connectivity

Undermount



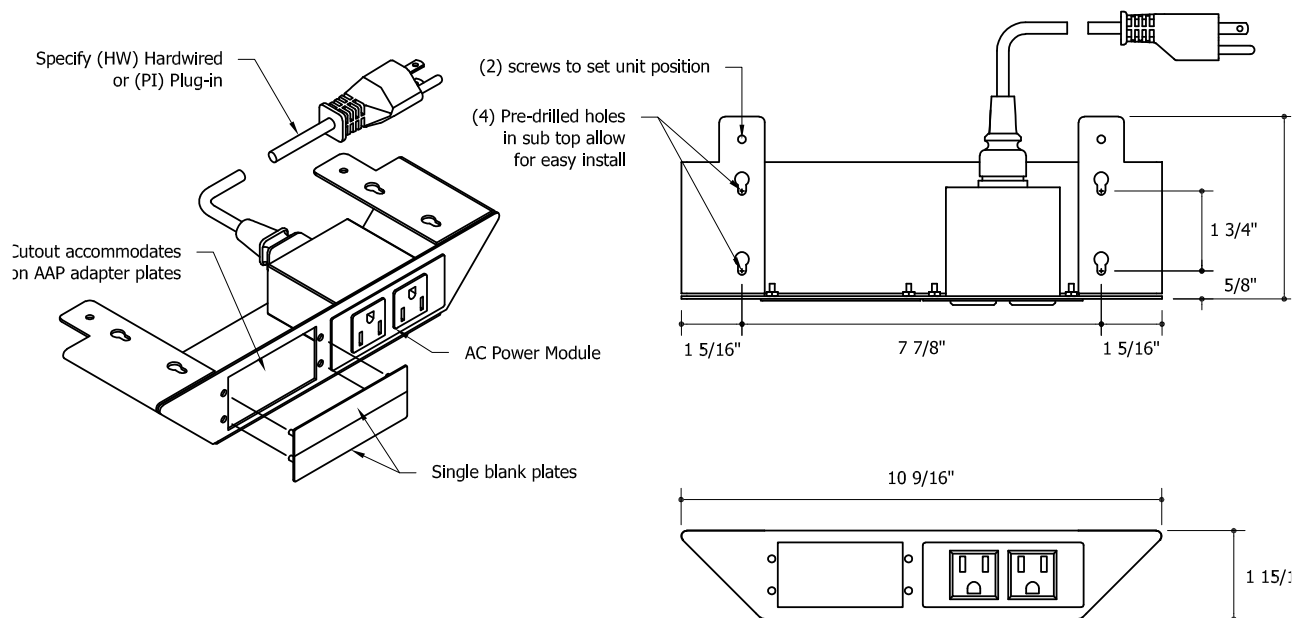
- Undermount access (shown populated)
- Black powder coat metallic finish (MC12)
 - Provided with 1 AC power module - specify hardwired (HW) or plug in (PI), and 2 single space blank plates
 - For additional connectivity replace blank plates with Extron single or double space AAP plates as desired.
- For more information see extron.com

Highline Fifty Collection

Meeting Tables

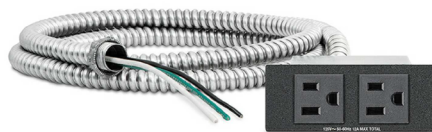
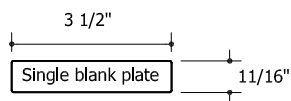
Power & Connectivity

Undermount



- Black powder coat metallic finish (MC12)
- Provided with 1 AC power module - specify hardwired (HW) or plug in (PI), and 2 single space blank plates
- For additional connectivity replace blank plates with Extron single or double space AAP plates as desired. For more information

see extron.com



- AC Module Hardwired (HW)
- 3/8" diameter x 6' long metal clad cable with 6" pigtail
 - Additional knockouts for series wiring
 - 12A max per module

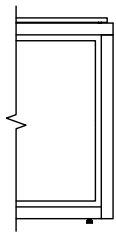


- AC Module Plug In (PI)
- 7.5' detachable soft cord
 - 6A max per module

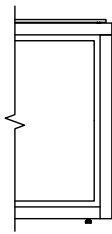
Highline Fifty Collection

Credenzas

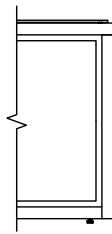
Elevations and Optional Tops



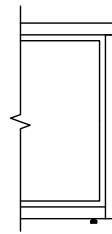
Optional Top
3/4" Caesarstone



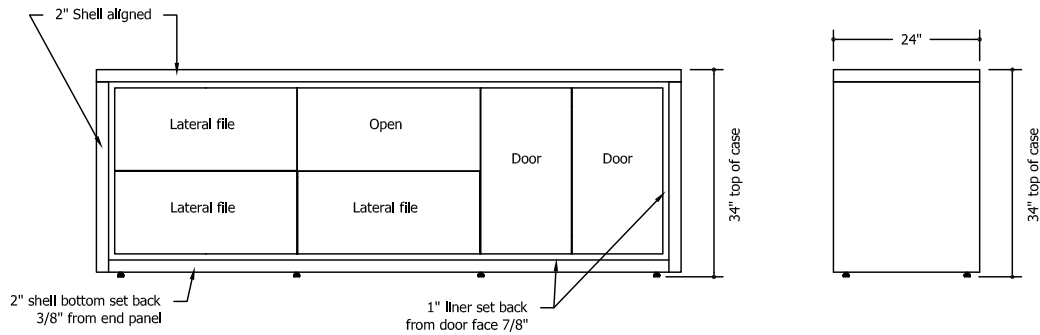
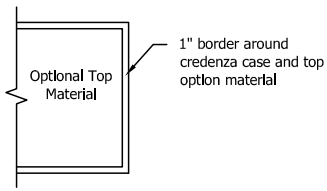
Optional Top
1/2" Corian



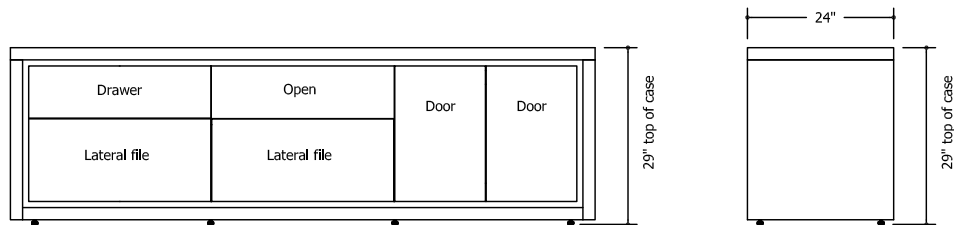
Optional Top
3/8" Glass



Optional Top
None



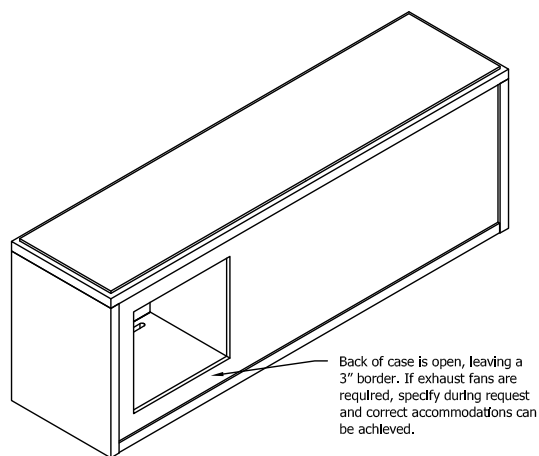
Buffet Height Credenza



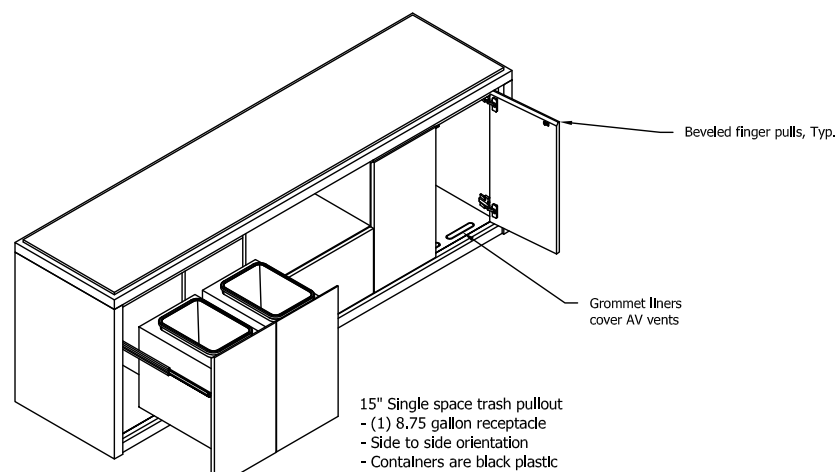
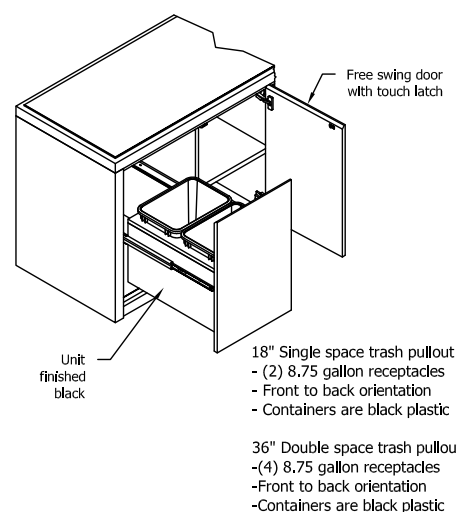
Conference Height Credenza

Highline Fifty Collection

Credenzas Case Details



Back of Credenza



Front of Credenza

Credenza Notes

- Pulls are 45 degrees inside bevel
- All drawers have a beveled pull on back edge of each front
- Top drawer has bevel on top edge, bottom drawer has bevel at bottom edge
- All drawers are equipped with full extension slides
- All doors are equipped with self-closing hinges
- All credenza top material options are secured to the case with silicone except full clear glass (FG GC00)
- Full clear glass (FG GC00) sets on top of 1/16" bumpers located on top of case
- Coordinate AV requirements with the interior clearance dimensions provided below to ensure fit. All AV cases have air vent grommet at the bottom front and an open back w/3" border. Consult with your AV contractor for specific component requirements. Custom solutions are available on request

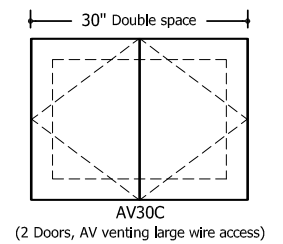
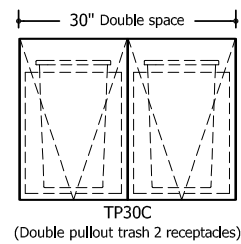
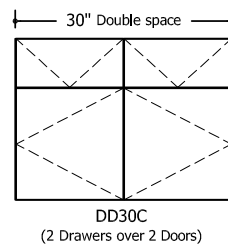
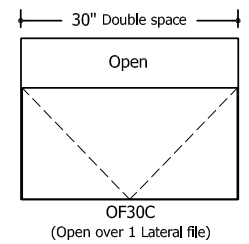
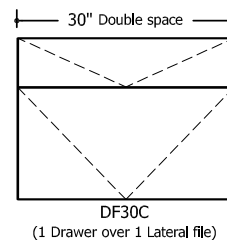
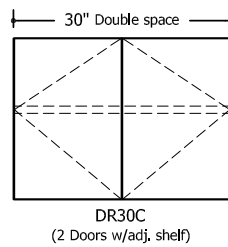
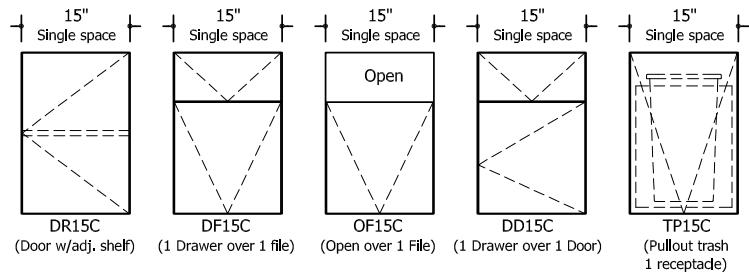
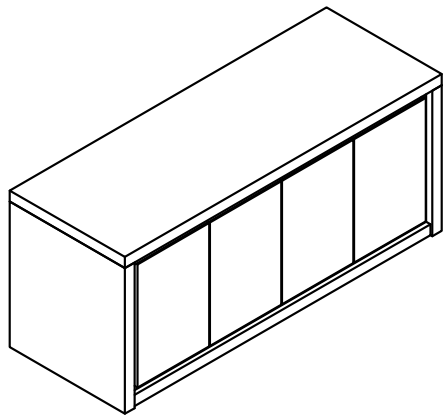
- Conference height 30" Bay:
25.75" width x 19" depth x 21.5" height
- Buffet height 30" Bay:
25.75" width x 19" depth x 26.5" height
- Conference height 36" Bay:
31.75" width x 19" depth x 21.5" height
- Buffet height 36" bay:
31.75" width x 19" depth x 26.5" height

Highline Fifty Collection

Credenzas

Conference Height: 29"

Configurations: 15" and 30" modules

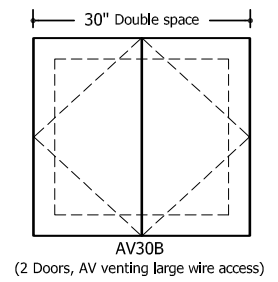
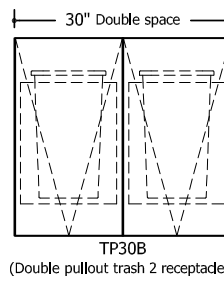
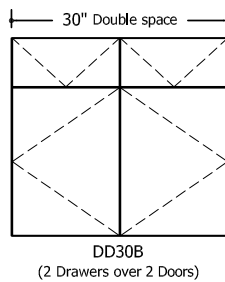
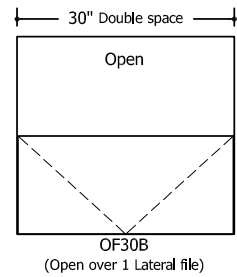
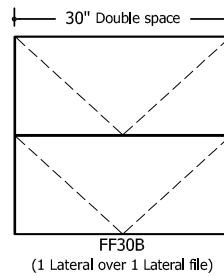
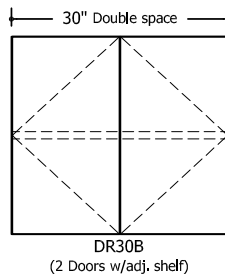
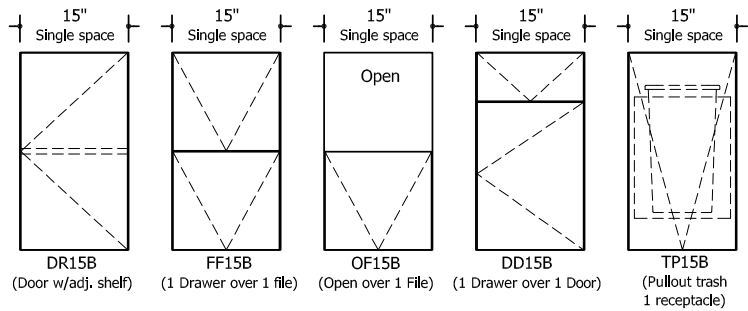
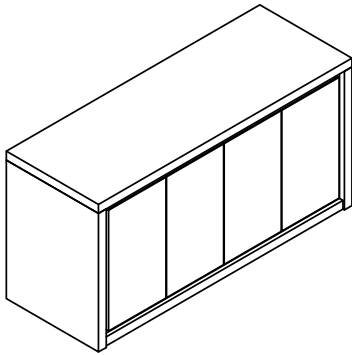


Highline Fifty Collection

Credenzas

Buffet Height: 34"

Configurations: 15" and 30" modules

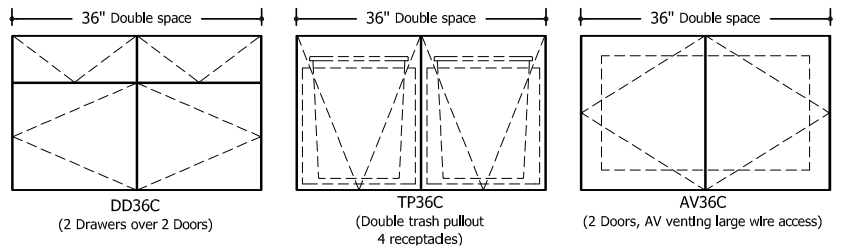
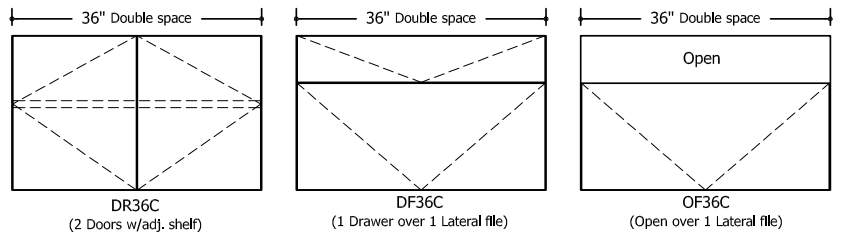
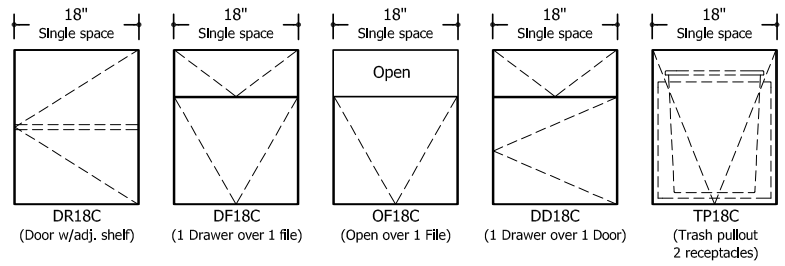
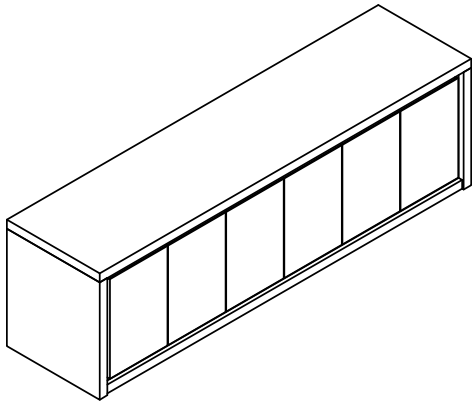


Highline Fifty Collection

Credenzas

Conference Height: 29"

Configurations: 18" and 36" modules

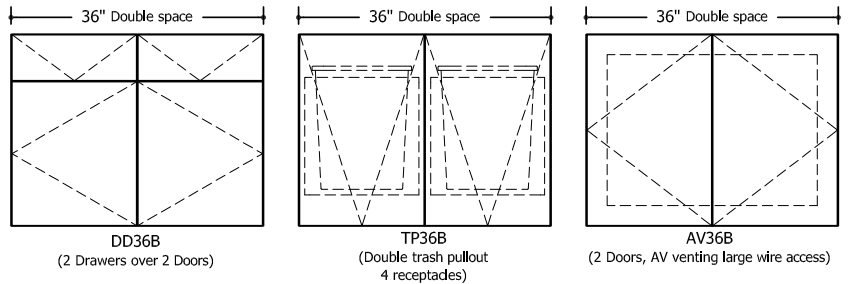
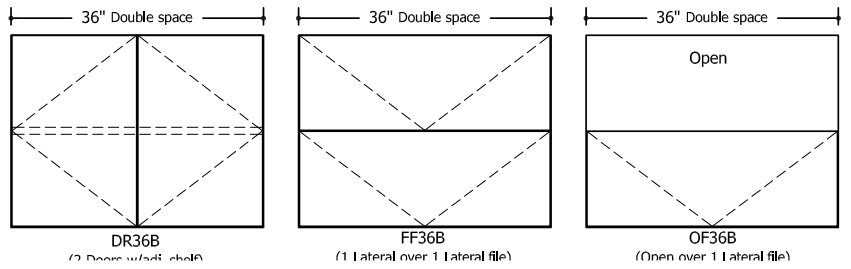
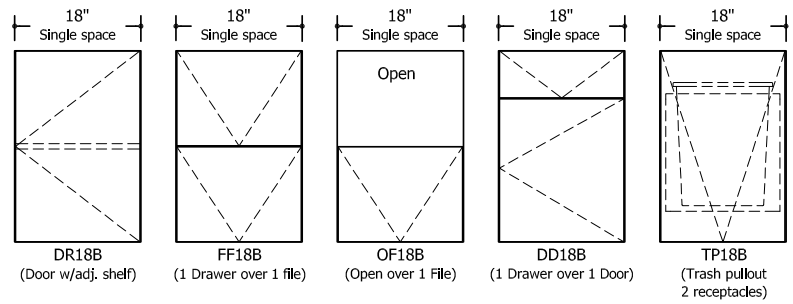
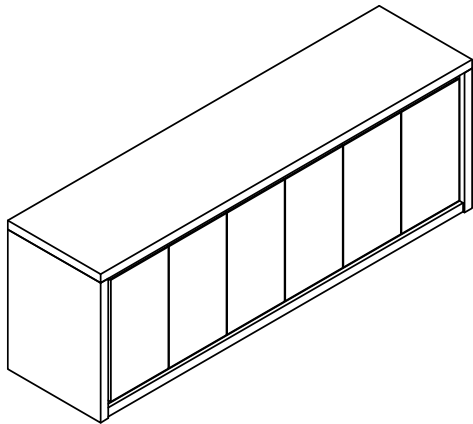


Highline Fifty Collection

Credenzas

Buffet Height: 34"

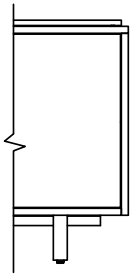
Configurations: 18" and 36" modules



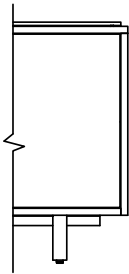
Highline Twenty-Five Collection

Credenzas

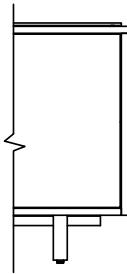
Elevations and Optional Tops



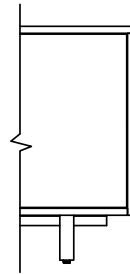
Optional Top
3/4" Caesarstone



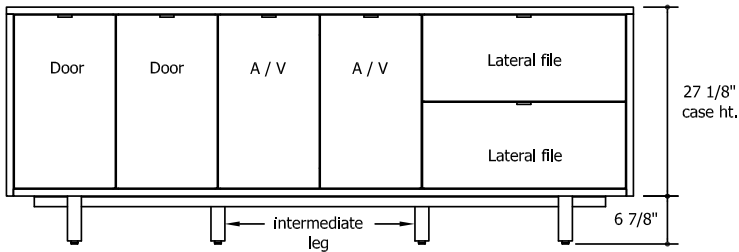
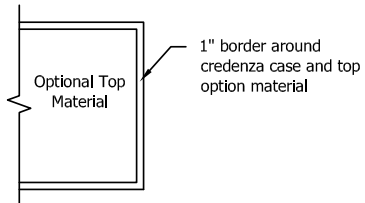
Optional Top
1/2" Corian



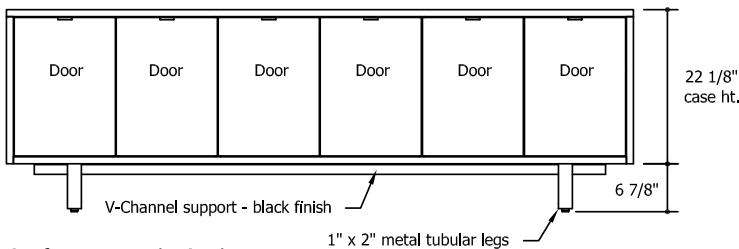
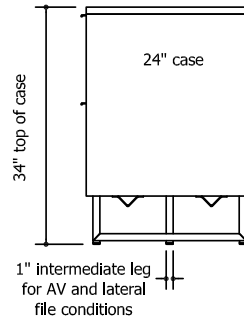
Optional Top
3/8" Glass



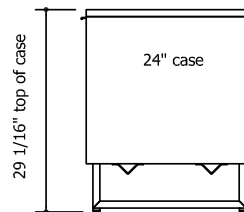
Optional Top
None



Buffet Height Credenza

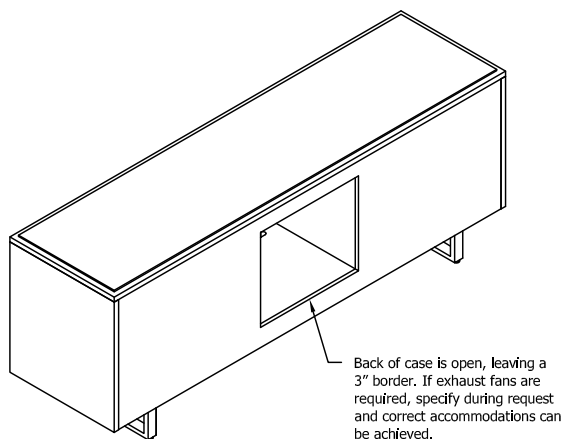


Conference Height Credenza

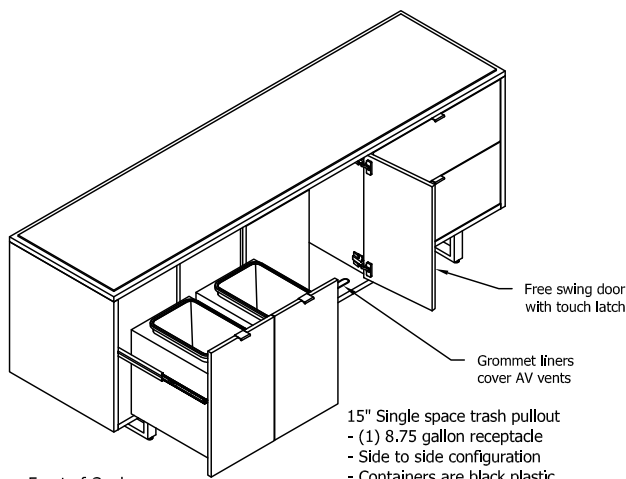


Highline Twenty-Five Collection

Credenza Case Details

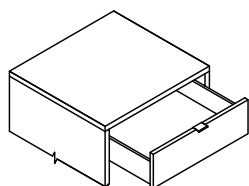


Back of Credenza



Front of Credenza

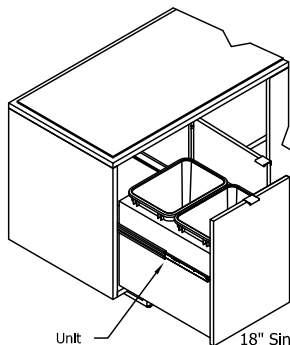
- 30" Double space trash pullout
- (2) 8.75 gallon receptacles
- Side to side configuration
- Containers are black plastic



Drawer with 2" tab pull



2" tab pull



- 18" Single space trash pullout
- (2) 8.75 gallon receptacles
- Front to back orientation
- Containers are black plastic

- 36" Double space trash pullout
- (4) 8.75 gallon receptacles
- Front to back orientation
- Containers are black plastic

Credenza Notes:

- 2" metal pulls to compliment metal legs
- All drawers have a 2" tab pull that is located in the center of the top edge of each front
- All drawers use full extension slides
- All doors use free swing hinges and touch latches.
- All credenza top material options are secured to the case with silicone except full clear glass (FG GC00)
- Full clear glass (FG CG00) sets on top of 1/16" bumpers located on top of case
- Trash option is pull-out only

Audio Visual Requirements:

- Coordinate AV requirements with the interior clearance dimensions provided below to ensure fit. All AV cases have air vent grommet at the bottom front and an open back width 3" border. Consult with your AV contractor for specific component requirements. Custom solutions are available on request

- Conference height 30" Bay:
25.15" width x 21.25" depth x 19.18" height

- Buffet height 30" Bay:
25.15" width x 21.25" depth x 24.18" height

- Conference height 36" Bay:
31.13" width x 21.25" depth x 19.18" height

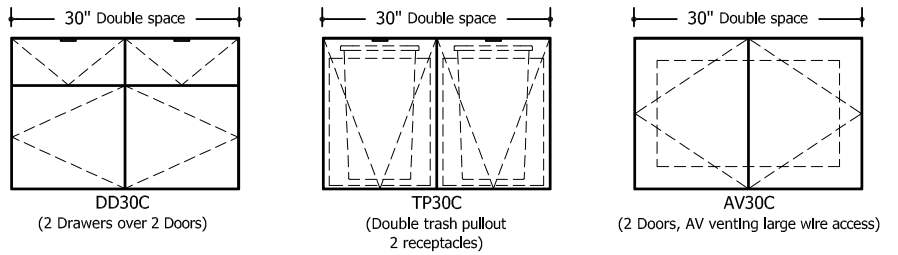
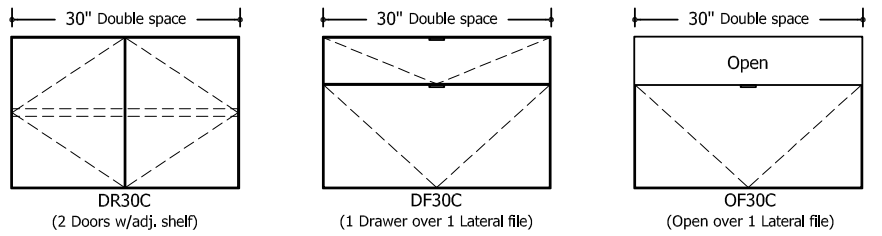
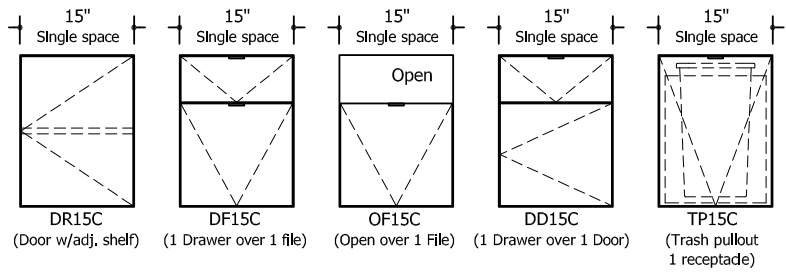
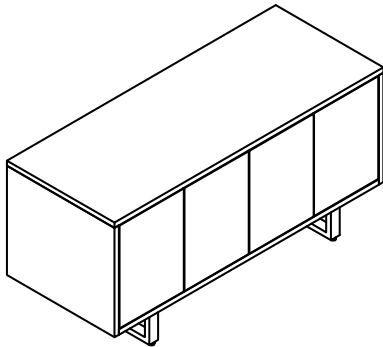
- Buffet height 36" Bay:

Highline Twenty-Five Collection

Credenzas

Conference Height: 29"

Configurations: 15" and 30" modules

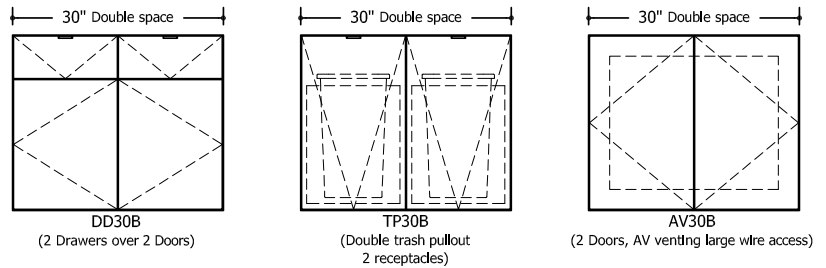
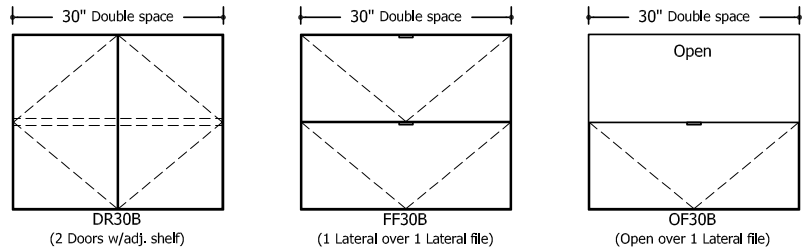
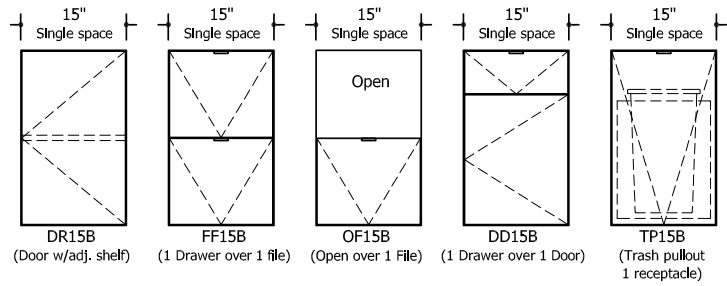
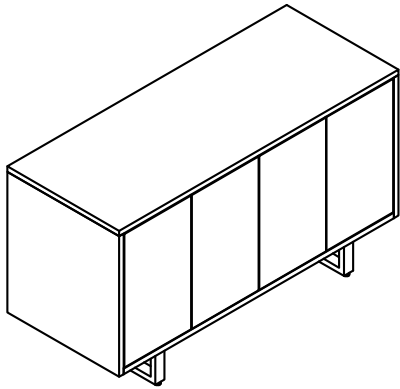


Highline Twenty-Five Collection

Credenzas

Buffet Height: 15"

Configurations: 15" + 30" models

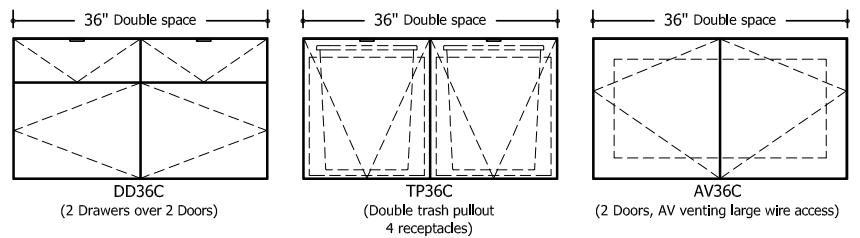
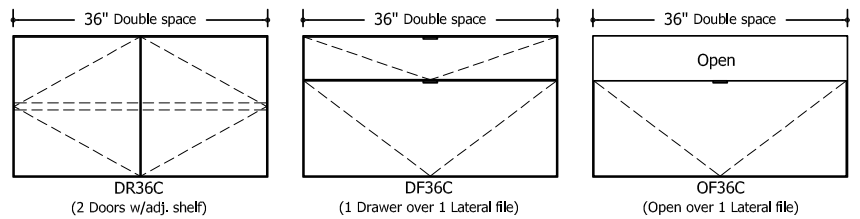
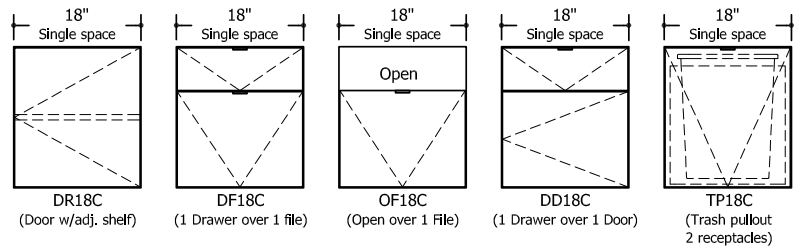
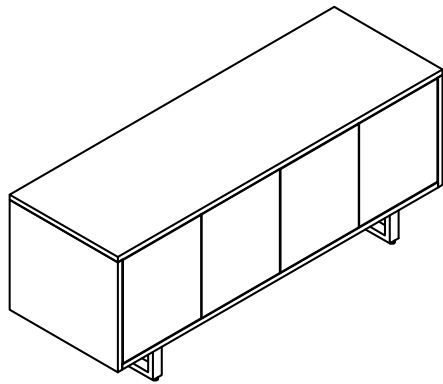


Highline Twenty-Five Collection

Credenzas

Conference Height: 29"

Configurations: 18" and 36" modules

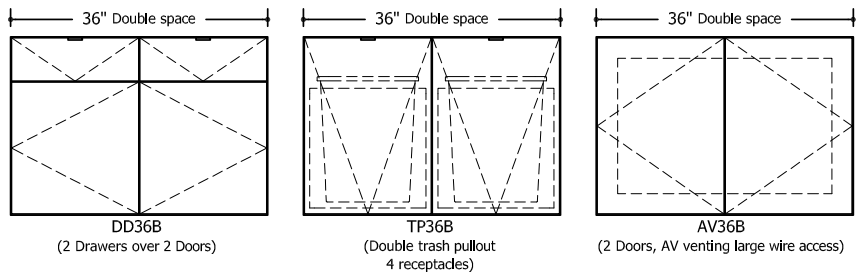
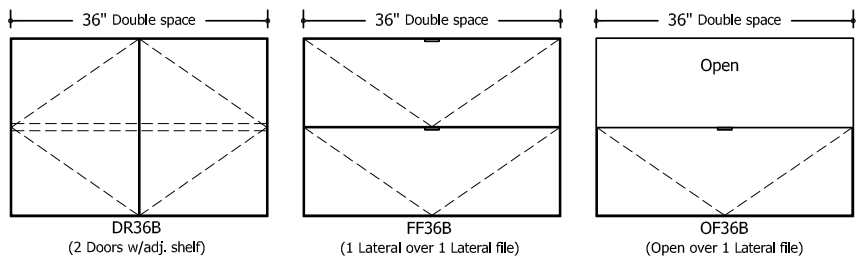
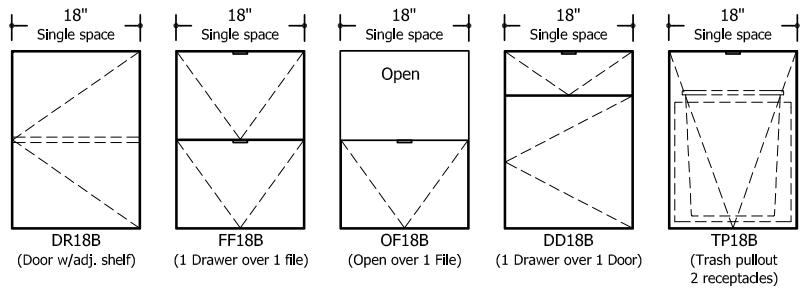
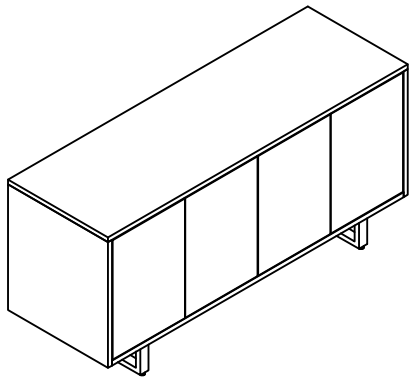


Highline Twenty-Five Collection

Credenzas

Buffet Height: 34"

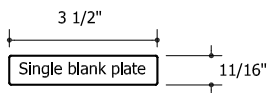
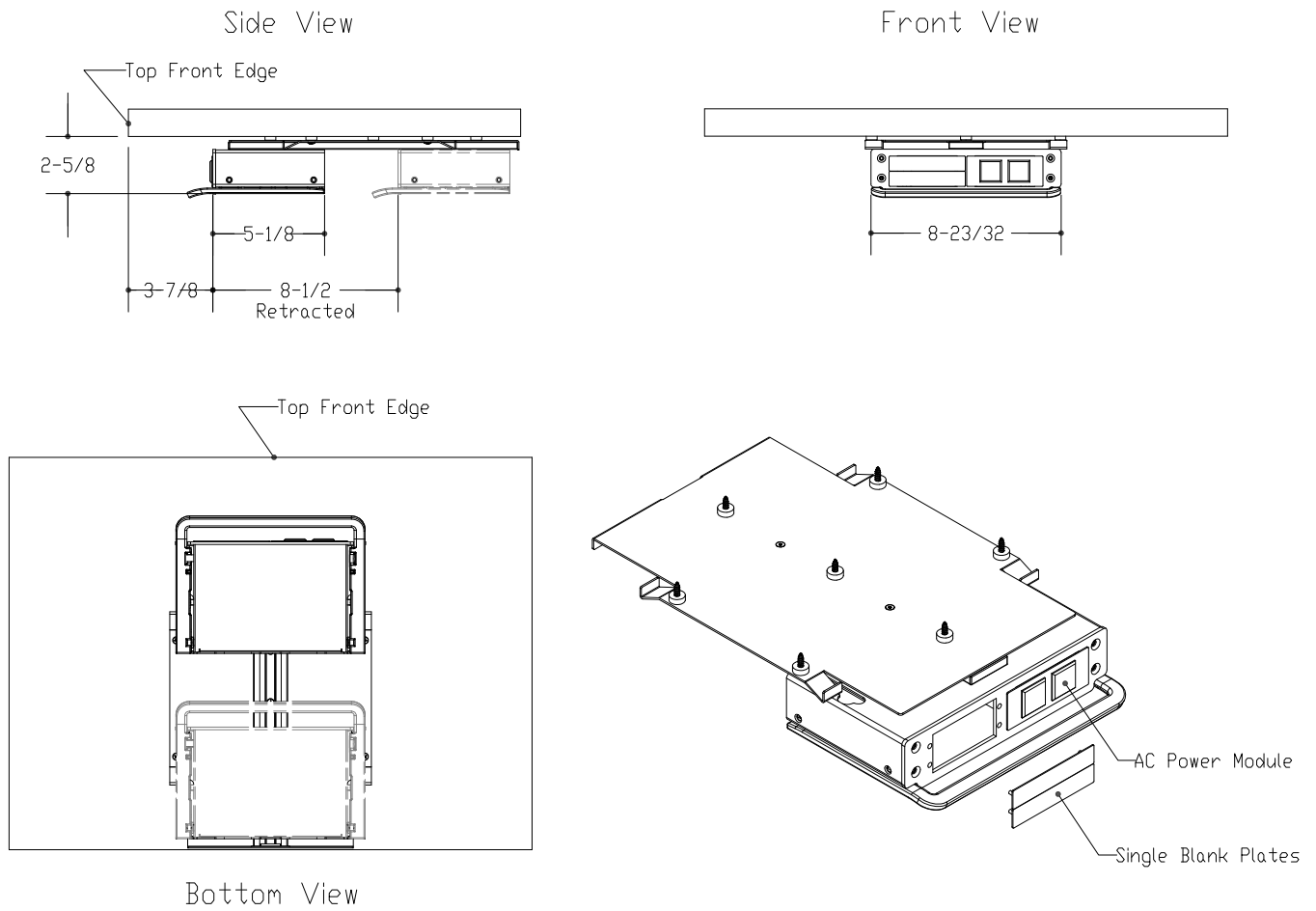
Configurations: 18" and 36" modules



Accessories

Power & Connectivity

Slide Out Power Box



AC Module Hardwired (HW)
- 3/8" diameter x 6' long metal-clad cable with 6" pigtail
- Additional knockouts for series wiring
- 12A max per module



AC Module Plug In (PI)
- 7.5' detachable soft cord
- 6A max per module

Accessories

Power & Connectivity

Linkable USB Kits for Power Boxes

Linkable USB kits come in configurations of 4, 6, 8 or 10 module kits accommodating tables ranging up to 240" in length and 72" in depth.

Fits Double AAP Opening (Same as Extron Dual-AC Module 70-584-02) provided in all Tabletop, Undermount, Slide-Out Box and Power Drawer applications.

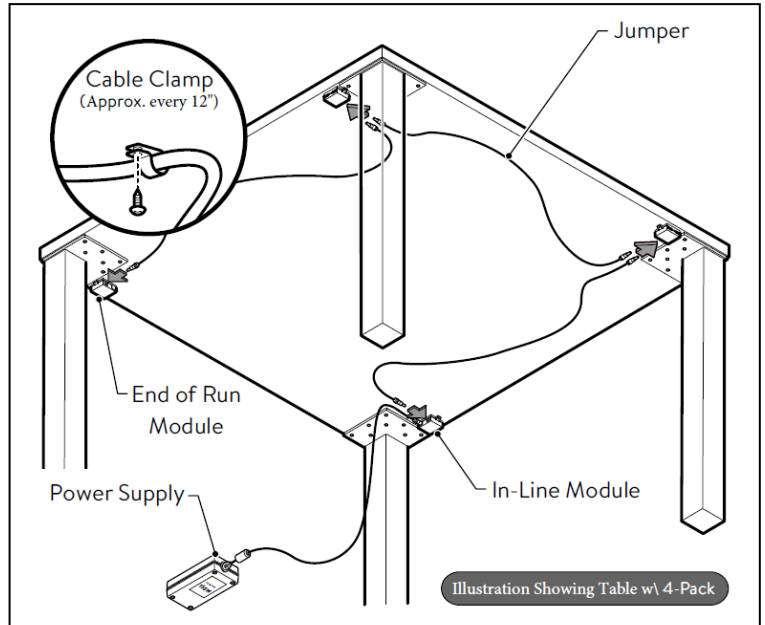
One power infeed required for every 8 modules.

All components finished black.

Each kit contains everything needed for installation. Including P-Clips for wire management. (Note: Power Boxes and Drawers are specified and ordered separately with table.)

Technical Specifications:

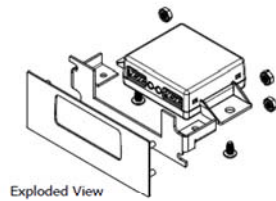
- 2- 1.2A/5VDC USB Charging Ports per Module
- 150W/5VDC or 250W/5VDC Power Supply
- 16 Gauge Direct Current Jumper Cables
- USA NEMA 5-15 and 15 Amp with 90° Plug
- UL 1310 Class 2 Listed
- Meets USB.org Battery Charging 1.2 Specifications



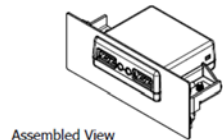
Power Supply, 42"L **

AC Power Cord, 72"L

USB Module Assembly *
In-Line & End-Of-Line Configurations



Exploded View

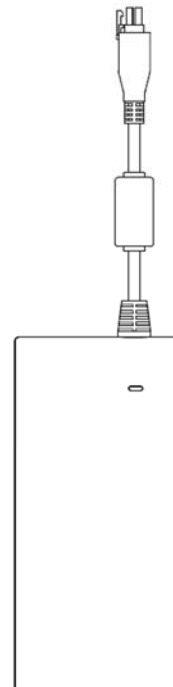


Assembled View

Power Splitter *



Jumper Cable, 72"L



* ONLY INCLUDED ON CERTAIN SIZES
** MAY NOT LOOK EXACTLY AS SHOWN

Terms and Conditions of Sale

Sales by DatesWeiser (hereinafter called the Seller) are made only on the terms and conditions set forth below. These terms and conditions may be modified or supplemented only by a written document signed by an authorized representative of the Seller. These terms and conditions supersede any prior and/or contemporaneous agreements or correspondence between Purchaser and Seller.

Ordering Information

All orders must be in writing. Product information required for a Purchase Order is described on [page 5](#).

A Purchase Order is not binding on the Seller until Purchaser has received Seller's Order Confirmation.

Pricing Policies

All written quotations expire thirty (30) days from the date of issuance and can be withdrawn by written notice anytime during that period.

Prices are List, F.O.B. from the DatesWeiser factory in **Buffalo, New York**. Shipping, packaging, inside delivery, uncrating, installation, storage, and sales tax (if applicable) shall be in addition to the list price and shall be itemized and charged separately.

List prices are subject to change without notice.

List prices shall be those prices in effect on the date the Seller receives a completed Purchase Order unless shipment is requested more than 120 days after the order entry, in which case prices in effect on the date of shipment apply.

Taxes

All sales, use, excise, and other taxes applicable to the sale of DatesWeiser Products shall be paid by the Purchaser. To claim an exemption from any tax, Purchaser must submit to Seller the appropriate exemption certificates.

Terms of Payment

A fifty percent (50%) deposit is due at the time of order placement and the remainder due within thirty (30) days of the date of invoice.

If, in the judgment of Seller, Purchaser's financial condition does not justify the terms of the payment, Seller may require full or partial payment in advance.

The ship date the Seller specifies is considered the invoice date for billing. The ship date will be confirmed by the Seller via a separate Acknowledgement issued upon receipt of a signed Purchase Order.

Past due accounts shall be charged one and one-half percent (1.5%) per month, or the highest rate permitted by law, whichever is less, and will be added to the outstanding balance. In the event Purchaser defaults on payment, Purchaser shall be liable for all collection costs, including reasonable attorney's fees and costs.

Changes and Cancellations

A confirmed order may not be changed or cancelled, in whole or in part, without prior written consent of Seller. Changes may effect delivery dates. Expenses incurred because of changes shall be charged to Purchaser. In event of cancellations, Purchaser will be liable for reasonable cancellation charges, including a \$500 administrative fee.

Seller is not required to comply with Purchaser's request to change a confirmed order, but all reasonable requests to change confirmed orders will be honored. Orders for special or custom Product may not be cancelled.

To be effective, a Change Order must be in writing, signed by the Purchaser or Purchaser's agent, and confirmed in writing by the Seller. Change Orders are subject to a charge for materials, labor, and other costs as determined by Seller.

Security Interest

Until Seller receives the full payment for the Product, Seller shall have a security interest in the Product. Purchaser agrees to perform all acts, including but not limited to the execution and filing of documentation, which may be necessary to perfect and assure the security interest of Seller.

Customer's Own Material (COM)

A Purchaser who requests a material not standard to Seller's line of Products (described on [page 6](#)) must submit a sample of the requested material to Seller prior to entry of a purchase order. Seller shall determine if the material is suitable to its manufacturing processes and meets any requirements of Underwriter Laboratories. If the COM is acceptable, Seller will then establish a price for using the COM on the Product in question.

Customer's Specified Laminates (CSL)

For custom wood or paint finishes add \$725 net per finish. This is a one-time matching charge. Custom finishes may extend delivery time up to four (4) weeks. Control samples of custom finishes will be provided.

Hardware

Final adjustment of furniture hardware such as hinges, drawer slides, drawer pulls, etc., at the installation and as a punch-list item, if required, is the Purchaser's responsibility.

Design

All Products shown in the Seller's Price List and Specifications Guide are, and remain, the property of the Seller, who reserves the exclusive right to manufacture them. All dimensions shown are to be considered approximate. Seller reserves the right to make changes in price, dimensions, design and/or construction without prior notice.

Shop Drawings

Seller allows for one (1) set of full shop drawings and one (1) round of minor drawing revisions in its pricing and scheduling. Thereafter, any significant changes in design, including dimensions, engineering details, and materials, or delays in reviewing and approving shop drawings, may necessitate additional charges and cause schedule delays. Seller reserves the right to determine the impact of any design changes and/or delays and will promptly notify those involved of any adjustments to cost and schedule.

Field and Hold Dimensions

If a dealer or third party is responsible for providing installation, the following is required: Full responsibility for providing accurate and timely field dimensions or hold to dimensions (in cases where walls are not erected) as it effects the ultimate fit of the installation. As an alternative, upon request, Seller can provide a cost for sending a field technician to the project site to assume responsibility for field dimensions and site evaluation.

FREIGHT AND DELIVERY

Products are carefully inspected and packaged before leaving the factory to ensure they reach their destination in excellent condition. Whenever possible, the Seller will ship in accordance with the Purchaser's instructions. If Purchaser does not specify shipping instructions, Seller will use its best judgment to determine the most suitable shipping method, route, and carrier.

Conditions beyond the control of Seller, including weather, available facilities and traffic conditions, may affect time of delivery.

Storage

If the Purchaser cannot accept delivery per the ship date specified in the Seller's Acknowledgement, the Seller may transfer the merchandise to storage, either at its facility or at another facility.

Purchaser will be charged a storage fee of two percent (2%) of the invoice for every thirty (30) days the products are stored at the Seller's facility.

For products stored in another facility, all out-of-pocket costs of storage, including transportation and warehousing fees, will be at the Purchaser's expense.

The Purchaser will be invoiced for all product charges on the date the Products are transferred to storage. Storage fees will accrue monthly in full month increments (they are not prorated for partial months) and will be added to the first invoice, which will also include non-product charges such as shipping, installation, etc.

Returns

Purchasers may not return Products without Seller's written approval and shipping instructions. Unauthorized returns, and returns shipped inconsistently with Seller's instructions, will be automatically refused by the Seller's receiving department.

Products not currently offered for sale by Seller, including special and custom Products, shall not be authorized for return. All returned Products must be unused, in original condition and in original Seller shipping cartons. No refund or credit shall be given for damaged Products.

CLAIMS

All shipments for Sellers Product are F.O.B. Origin. All risk of loss passes to Purchaser at time of delivery to carrier. Purchaser shall inspect all Products upon receipt and note any damage on the Bill of Lading and make an immediate request for inspection of damage by carrier. Seller is not responsible for damage that occurs in transit or storage.

Damage that becomes apparent after the Product is unpacked should be reported to the carrier and the Seller within twenty-four (24) hours of receipt. Damage that is incurred at a furniture dealer's warehouse is the responsibility of the furniture dealer.

For claims relating to Product damaged in transit, or for any other claims relating to or arising out of the transportation of the Product, Purchaser must seek recovery from the carrier. Seller may, upon request, assist Purchaser with filing of such claims with the carrier.

Claims for defects, errors, or shortages must be made in writing by Purchaser against Seller within 72 hours after delivery. Failure to make such claim within 72 hours shall constitute unconditional acceptance of the Products and a waiver of any apparent defects, errors, or shortages.

WARRANTY

Seller warrants its Products to the original Purchaser to be free of defects in workmanship and materials under normal use and under conditions for which the Product was designed for a period of five (5) years. This remedy is exclusive. Seller does not authorize any person to create for it any obligation or liability.

During this warranty period, Seller will repair, or at its option, replace, such Product proven to be defective. Seller shall not be liable for commercial loss or any consequential or incidental damages that may arise as a result of defective Product.

This limited warranty does not apply to:

- Damage caused by a carrier other than the Seller.
- Product not properly maintained per Seller instructions. Maintenance and proper environmental conditions are described in Seller's Published Price List. All furniture should be used in a stable, controlled atmosphere and positioned to avoid direct sunlight. Ideal climate is 65 to 75 degrees Fahrenheit with 30 to 55% relative humidity.
- Normal wear and tear or acts or omissions of parties other than Seller. This warranty does not cover any product repaired or altered by any person not so authorized by Seller, including user modification, improper use or installation of Products.
- Customer's Own Material and Customer's Specified Laminates.
- Durability or suitability of any exterior surface coatings or treatments.
- Matching of color, grains or texture except as specified in the Seller's Order Confirmation and the finish sample.
- Natural variations occurring in wood, stone, and glass shall not be considered defects, and the Seller does not guarantee the colorfastness or matching of colors, grains or textures, or surface hardness of such materials.
- Adequacy of any electronic components.
- Durability of glass used in Product.
- Live Edge natural slabs used for table tops.

Seller must be notified within 72 hours of receipt of shipment for any initial claims for defects, errors or shortages.

To obtain the benefit of this warranty, contact Seller in writing. It is the responsibility of the Purchaser to arrange the return of Product to Seller and to assume all costs relating to any incidental or consequential damages.

Disclaimers

THE EXPRESS WARRANTIES CONTAINED IN THIS SELLING POLICY ARE THE ONLY WARRANTIES THAT DATESWEISER MAKES AND TAKE THE PLACE OF ALL OTHER WARRANTIES, EXPRESS OR IMPLIED, INCLUDING ANY WARRANTIES OF MERCHANTABILITY OR FITNESS FOR PARTICULAR PURPOSE AND ALL OTHER WARRANTIES ARISING FROM COURSE OF DEALING OR USAGE OF TRADE.

Corporate Office / Factory

1700 Broadway Street
Buffalo, NY 14212
p 716.891.1700

